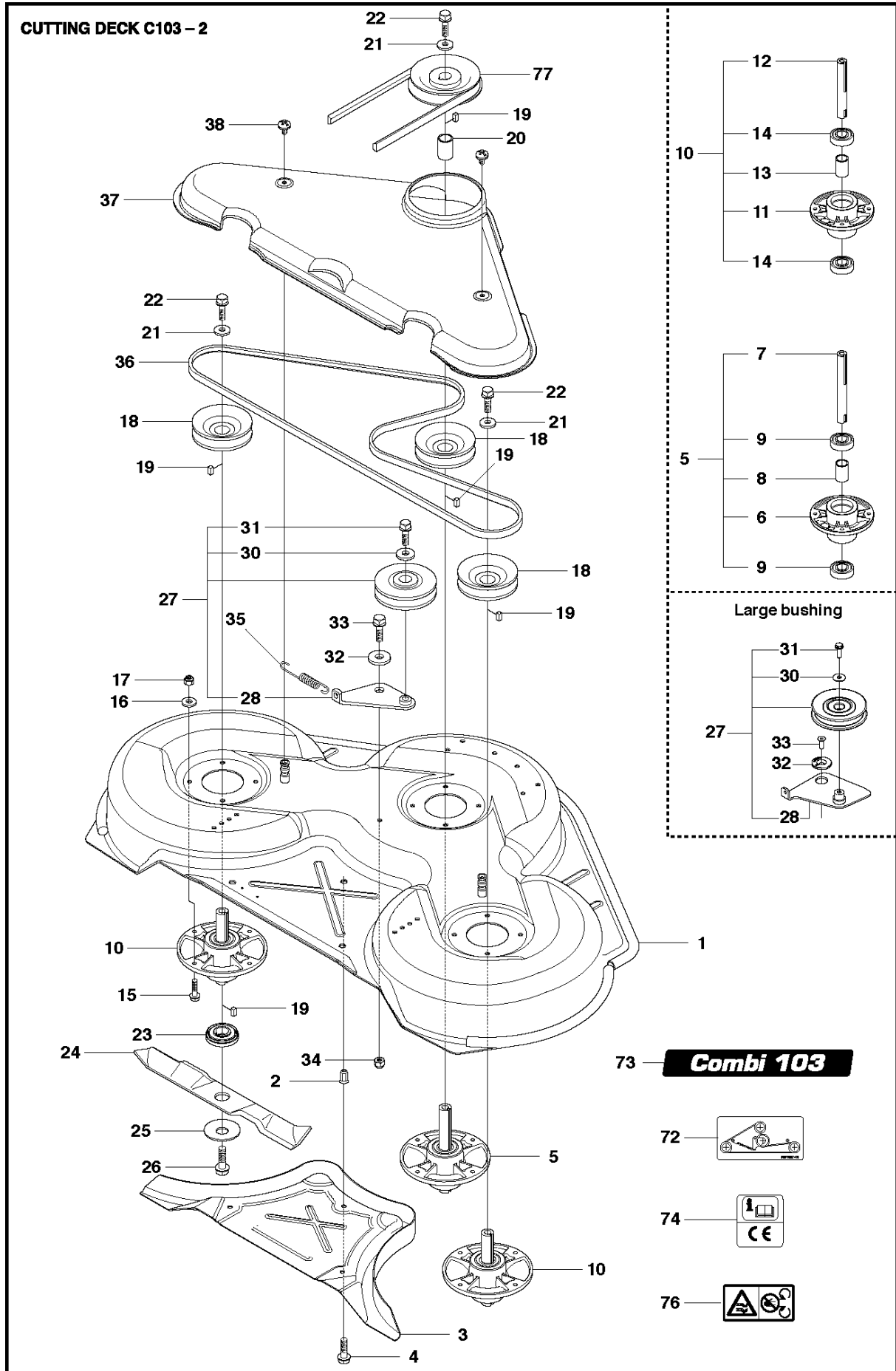




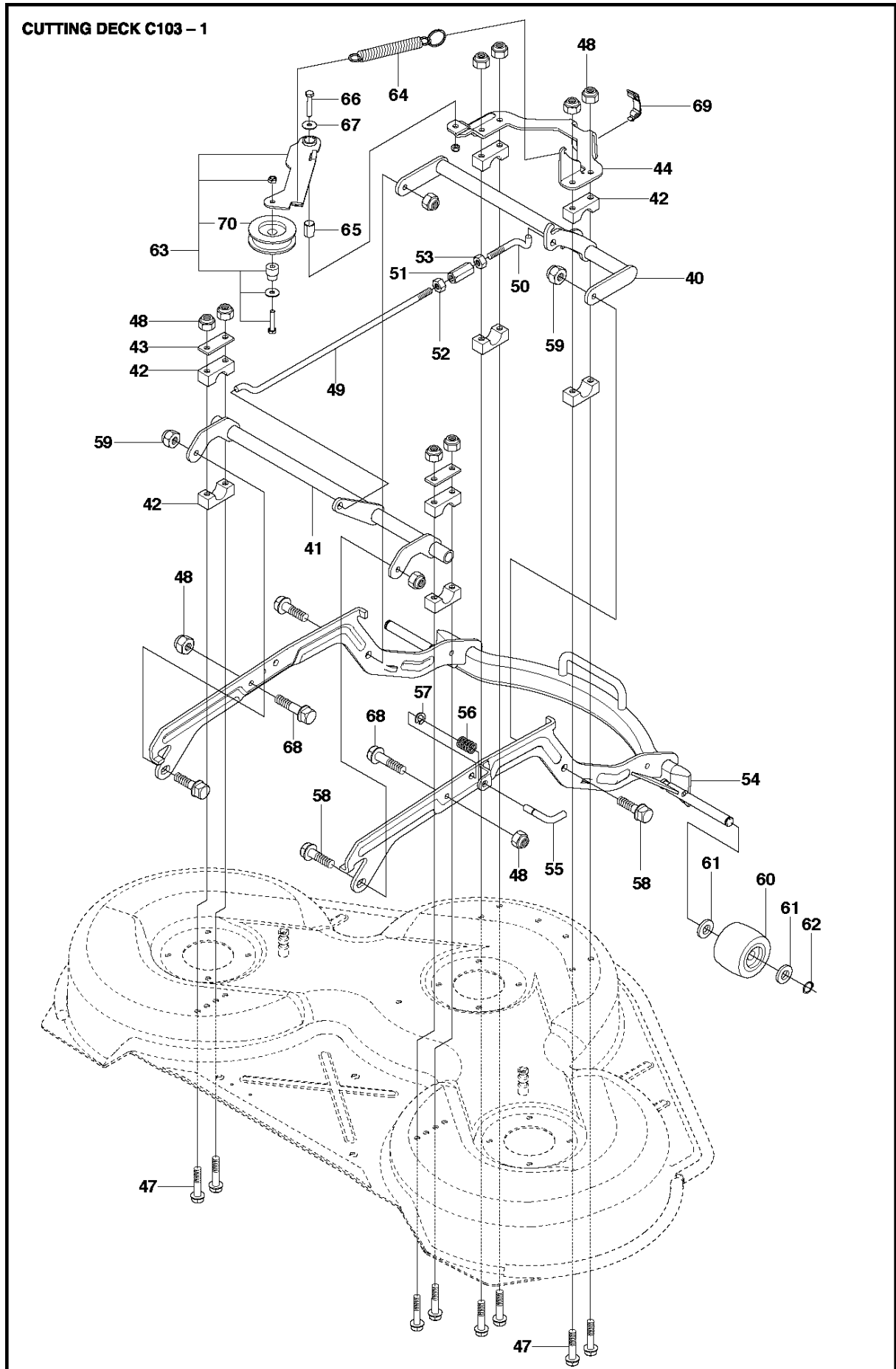
SPARE PARTS LIST

RIDERS

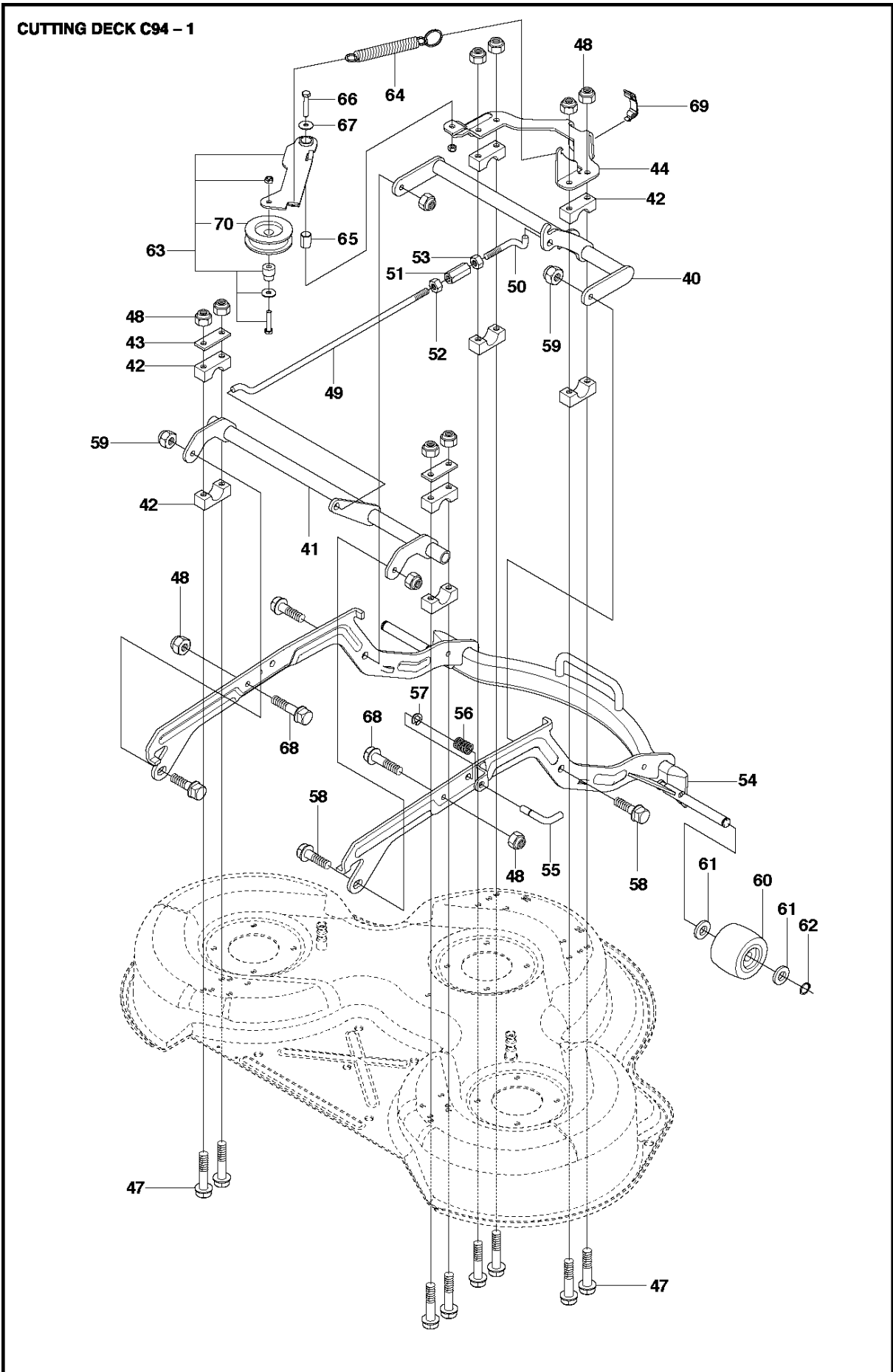
R216, 967291102, 2018



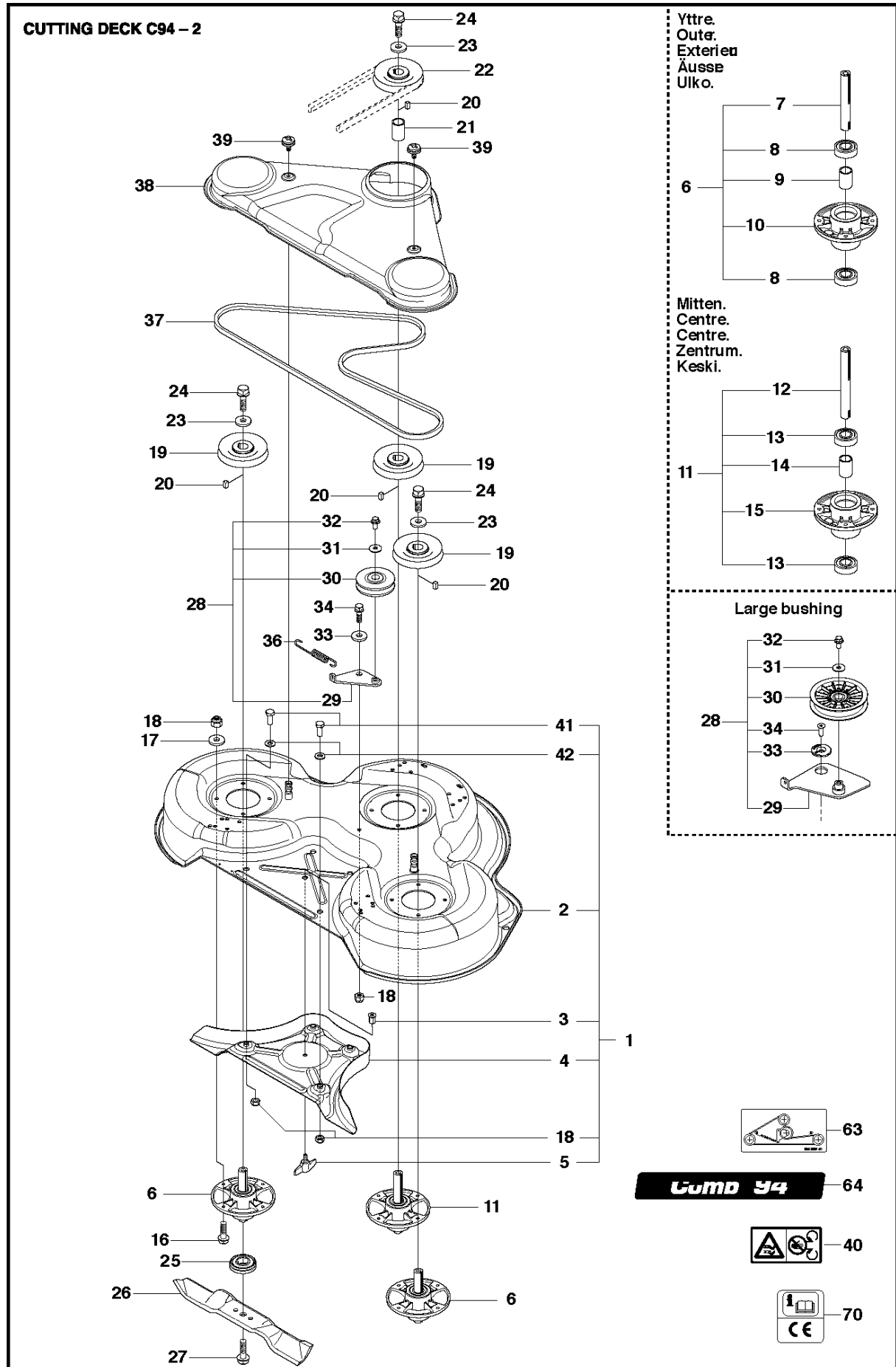
Ref	Part No	Description	Remark	QTY	KIT
1	504 56 98-05	DECK SHELL ASSY		1	
2	506 91 62-01	BLIND RIVET NUT		3	
3	544 44 92-01	PLUG		1	
4	506 57 01-04	SCREW EHHFM		3	
5	576 38 41-03	BLADE HOUSING ASSY		1	
6	576 38 42-01	BEARING HOUSING		1	5
7	576 38 43-03	SHAFT		1	5
8	576 38 44-01	SPACING SLEEVE		1	5
9	738 23 04-34	BALL BEARING		2	5
10	576 38 41-02	BLADE HOUSING ASSY		2	
11	576 38 42-01	BEARING HOUSING		1	10
12	576 38 43-02	SHAFT		1	10
13	576 38 44-01	SPACING SLEEVE		1	10
14	738 23 04-34	BALL BEARING		2	10
15	535 42 38-01	SCREW RSQM		12	
16	734 11 64-01	WASHER		12	
17	732 21 18-01	LOCK NUT		12	
18	506 92 21-01	PULLEY		3	
19	506 53 35-01	PARALLEL KEY		7	
20	544 06 80-03	SPACING SLEEVE		1	
21	734 11 74-41	WASHER		3	
22	544 11 41-01	SCREW EHHM		3	
23	535 50 42-02	ADAPTER		3	
24	504 18 82-10	BLADE		3	
25	506 79 23-01	KNIFE PLATE		3	
26	544 11 41-01	SCREW EHHM		3	
27	506 54 07-01	BELT TENSIONER ASSY	Small bushing	1	
27	586 96 40-01	BELT TENSIONER ASSY	Large bushing	1	
28	506 51 95-01	SPÄNNARM KPL.	Small bushing	1	27
28	585 35 99-01	ARM	Large bushing	1	27
30	734 11 64-41	WASHER		1	27
31	506 55 83-02	SCREW EHHFT	Small bushing	1	27
31	586 32 04-01	SCREW	Large bushing	1	27
32	506 91 87-02	WASHER	Small bushing	1	
32	586 49 67-01	WASHER	Large bushing	1	
33	725 24 51-71	SCREW EHHM	Small bushing	1	
33	725 64 53-01	SCREW IHCSFM	Large bushing	1	
34	732 21 18-01	LOCK NUT		1	
35	506 53 31-01	SPRING		1	
36	506 76 85-01	BELT		1	
37	585 07 07-01	BELT COVER		1	
38	544 40 05-01	SCREW		2	
72	506 78 97-01	LABEL		1	
73	544 23 81-03	LABEL		1	
74	506 92 90-01	LABEL		1	
76	574 51 00-01	DECAL		1	
77	506 77 86-01	PULLEY		1	



Ref	Part No	Description	Remark	QTY	KIT
40	544 22 07-01	CROSS BAR		1	
41	584 95 20-01	CROSSBAR		1	
42	506 86 96-01	BEARING		8	
43	506 81 38-01	REINFORCING PLATE		2	
44	578 85 61-01	BRACKET		1	
47	725 24 61-51	SCREW EHHM		8	
48	732 21 18-01	LOCK NUT		10	
49	544 22 69-01	PARALLEL ROD		1	
50	544 45 14-01	PARALLEL ROD		1	
51	544 45 15-01	ADJUSTMENT ROD		1	
52	506 89 76-01	NUT		1	
53	731 23 20-51	HEXAGON NUT		1	
54	578 17 78-01	DECK ATTACHMENT		1	
55	544 21 39-01	LOCKING PIN		1	
56	544 21 41-01	SPRING		1	
57	735 31 13-20	E-CLIP		1	
58	506 59 74-01	SCREW EHHFM		4	
59	732 21 18-01	LOCK NUT		4	
60	506 96 30-01	WHEEL ASSY		2	
61	535 46 41-01	WASHER		4	
62	735 31 17-00	CIRCLIP		2	
63	587 41 52-01	BELT TENSIONER ASSY		1	
64	506 97 68-01	SPRING		1	
65	506 99 20-01	PIPE		1	
66	725 24 60-51	SCREW EHHM		1	
67	734 11 64-41	WASHER		1	
68	544 36 24-01	SCREW		2	
69	503 89 47-03	SNAP		1	
70	588 23 47-01	PULLEY		1	63



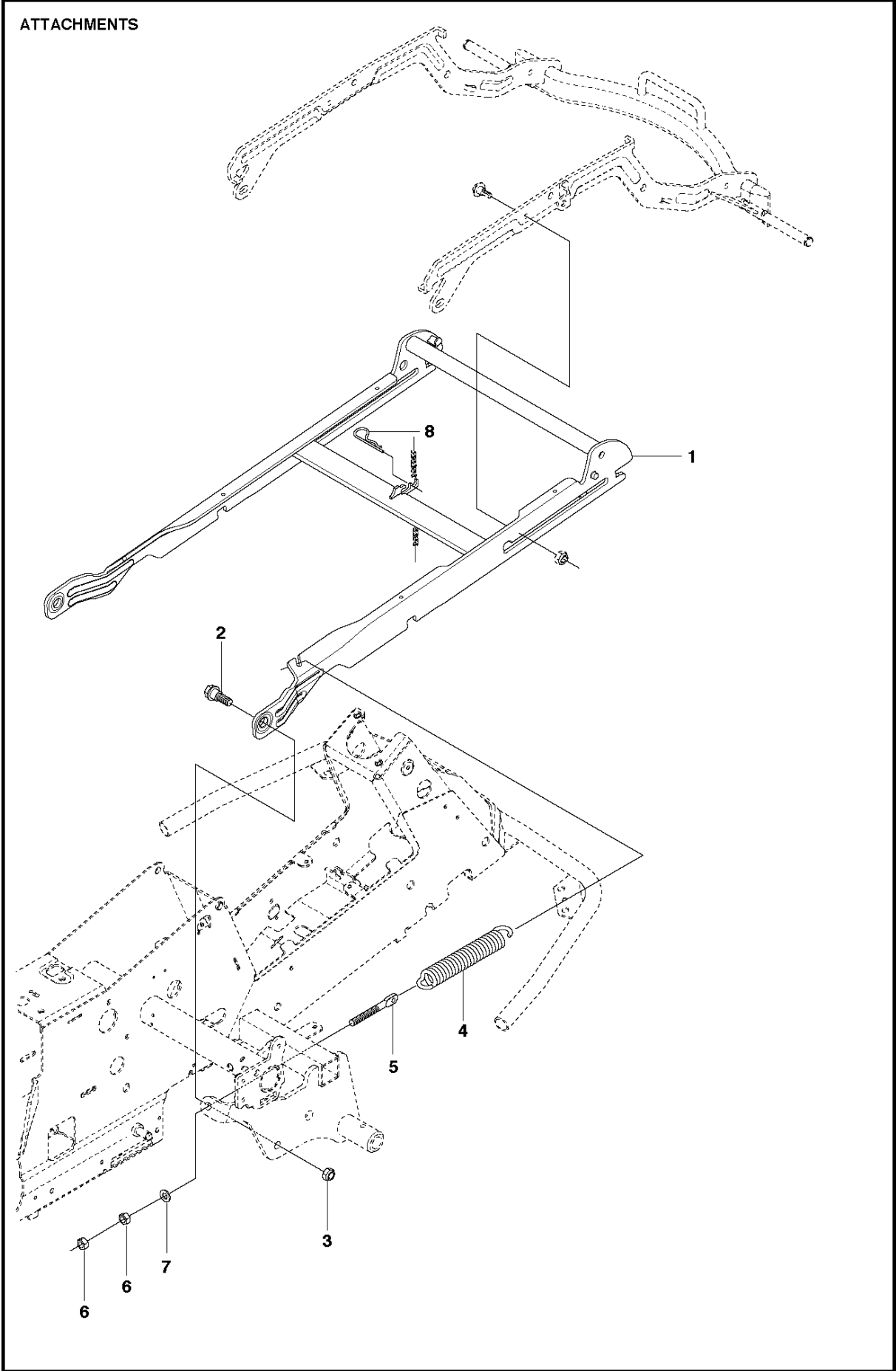
Ref	Part No	Description	Remark	QTY	KIT
40	544 22 07-01	CROSS BAR		1	
41	584 95 20-01	CROSSBAR		1	
42	506 86 96-01	BEARING		1	
43	506 81 38-01	REINFORCING PLATE		1	
44	578 85 61-01	BRACKET		1	
47	725 24 61-51	SCREW EHHM		2	
48	732 21 18-01	LOCK NUT		1	
49	544 22 69-01	PARALLEL ROD		2	
50	544 45 14-01	PARALLEL ROD		1	
51	544 45 15-01	ADJUSTMENT ROD		1	
52	506 89 76-01	NUT		1	
53	731 23 20-51	HEXAGON NUT		1	
54	578 17 78-01	DECK ATTACHMENT		2	
55	544 21 39-01	LOCKING PIN		1	
56	544 21 41-01	SPRING		1	
57	735 31 13-20	E-CLIP		12	
58	506 59 74-01	SCREW EHHFM		12	
59	732 21 18-01	LOCK NUT		12	
60	506 96 30-01	WHEEL ASSY		3	
61	535 46 41-01	WASHER		4	
62	735 31 17-00	CIRCLIP		1	
63	587 41 52-01	BELT TENSIONER ASSY		1	
64	506 97 68-01	SPRING		3	
65	506 99 20-01	PIPE		3	
66	725 24 60-51	SCREW EHHM		3	
67	734 11 64-41	WASHER		3	
68	544 36 24-01	SCREW		3	
69	503 89 47-03	SNAP		1	
70	588 23 47-01	PULLEY		1	63



94CM CUTTING DECK

R216, 967291102, 2018

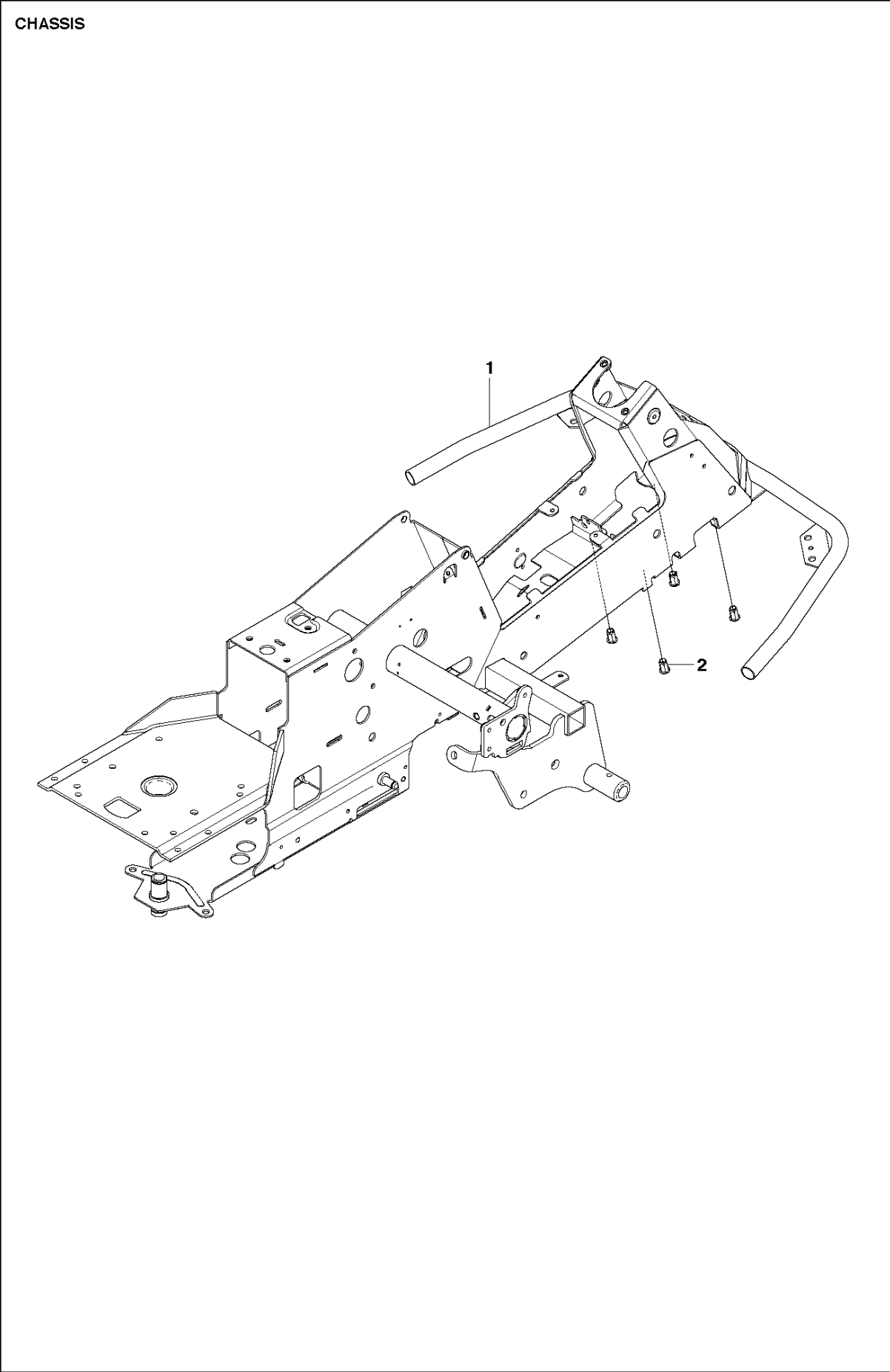
Ref	Part No	Description	Remark	QTY KIT	
1	581 26 55-01	CUTTING DECK		1	
2	581 23 74-04	DECK SHELL ASSY		1	1
3	506 91 62-01	BLIND RIVET NUT		1	1
4	544 06 58-01	PLUG		1	1
5	544 06 61-01	KNOB		1	1
6	576 38 41-02	BLADE HOUSING ASSY		2	
7	576 38 43-02	SHAFT		1	6
8	738 23 04-34	BALL BEARING		2	6
9	576 38 44-01	SPACING SLEEVE		1	6
10	576 38 42-01	BEARING HOUSING		1	6
11	576 38 41-03	BLADE HOUSING ASSY		1	
12	576 38 43-03	SHAFT		1	11
13	738 23 04-34	BALL BEARING		2	11
14	576 38 44-01	SPACING SLEEVE		1	11
15	576 38 42-01	BEARING HOUSING		1	11
16	535 42 38-01	SCREW RSQM		12	
17	734 11 64-01	WASHER		12	
18	732 21 18-01	LOCK NUT		12	1
19	506 92 21-01	PULLEY		3	
20	506 53 35-01	PARALLEL KEY		4	
21	544 06 80-03	SPACING SLEEVE		1	
22	506 77 86-01	PULLEY		1	
23	734 11 74-41	WASHER		3	
24	506 67 54-02	SCREW EHHFM		3	
25	544 06 49-01	BLADE		3	
26	579 65 25-10	BLADE		3	
27	506 67 54-02	SCREW EHHFM		3	
28	506 79 73-01	BELT TENSIONER ASSY	Small bushing	1	
28	586 96 40-01	BELT TENSIONER ASSY	Large bushing	1	
29	506 79 71-01	SPÄNNARM KPL.	Small bushing	1	28
29	580 79 42-01	ARM	Large bushing	1	28
30	581 86 46-01	BELT TENSIONER WHEEL		1	28
31	734 11 64-41	WASHER		1	28
32	506 55 83-02	SCREW EHHFT		1	28
33	506 91 87-02	WASHER	Small bushing	1	
33	586 49 67-01	WASHER	Large bushing	1	
34	725 24 51-71	SCREW EHHM	Small bushing	1	
34	725 64 53-01	SCREW IHCSFM	Large bushing	1	
36	506 53 31-01	SPRING		1	
37	505 20 86-01	BELT		1	
38	522 82 19-03	BELT COVER		1	
39	544 40 05-01	SCREW		2	
40	574 51 00-01	DECAL		2	
41	725 24 51-71	SCREW EHHM		2	1
42	734 11 64-01	WASHER		2	1
63	506 78 97-01	LABEL		1	
64	544 23 81-01	LABEL		1	
70	506 92 90-01	LABEL		1	



ATTACHMENTS

R216, 967291102, 2018

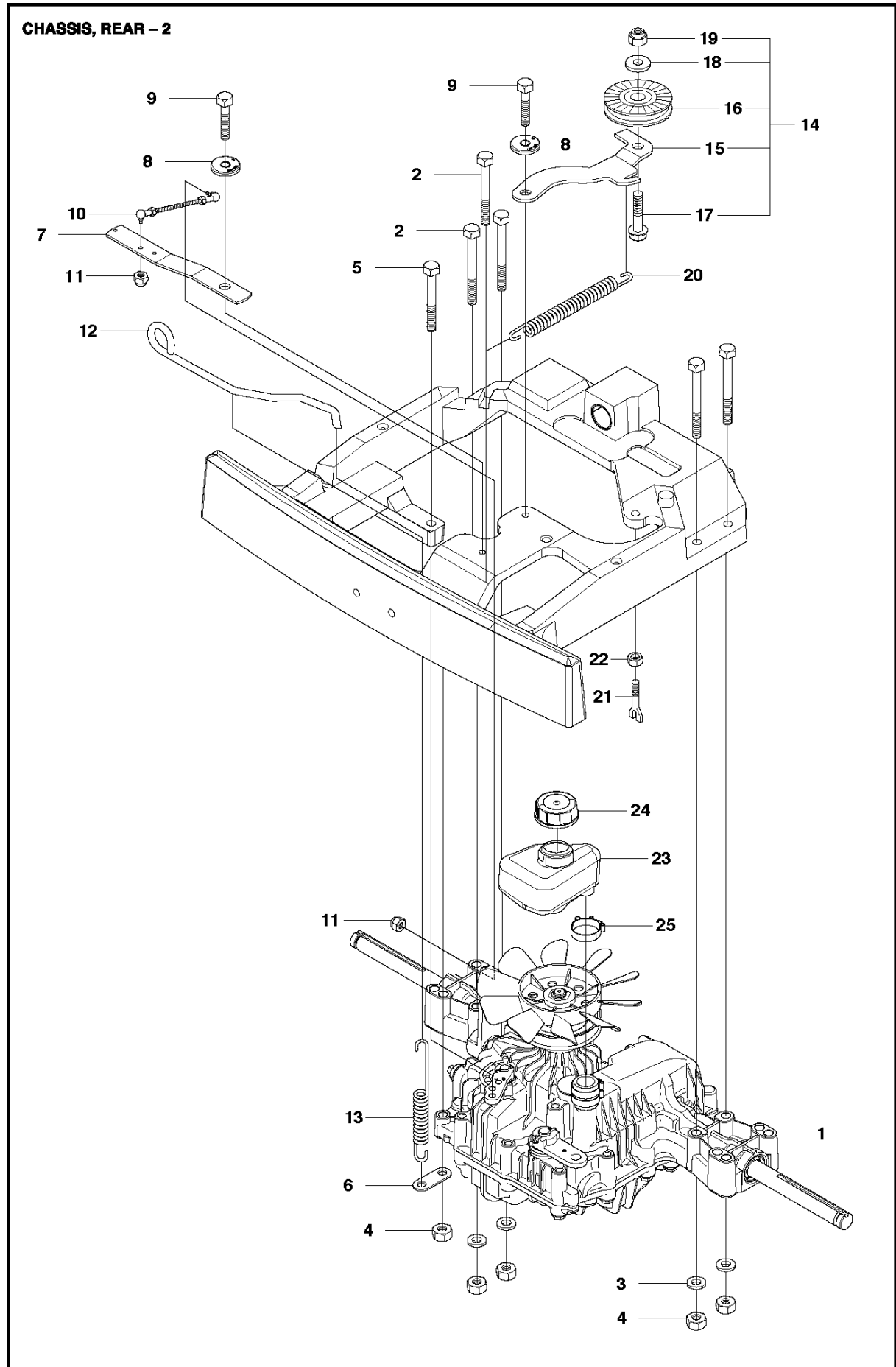
Ref	Part No	Description	Remark	QTY KIT
1	578 17 74-01	EQUIPMENT FRAME		1
2	506 89 58-01	COLLAR SCREW		2
3	732 25 22-01	HEXAGON LOCKING NUT		2
4	506 83 76-01	SPRING		2
5	506 83 77-01	RING BOLT		2
6	731 23 20-51	HEXAGON NUT		4
7	734 11 72-01	WASHER		2
8	721 68 02-51	SPRING COTTER		1



CHASSIS & ENCLOSURES

R216, 967291102, 2018

Ref	Part No	Description	Remark	QTY KIT
1	577 93 90-01	CHASSIS		1
2	506 91 62-01	BLIND RIVET NUT		4

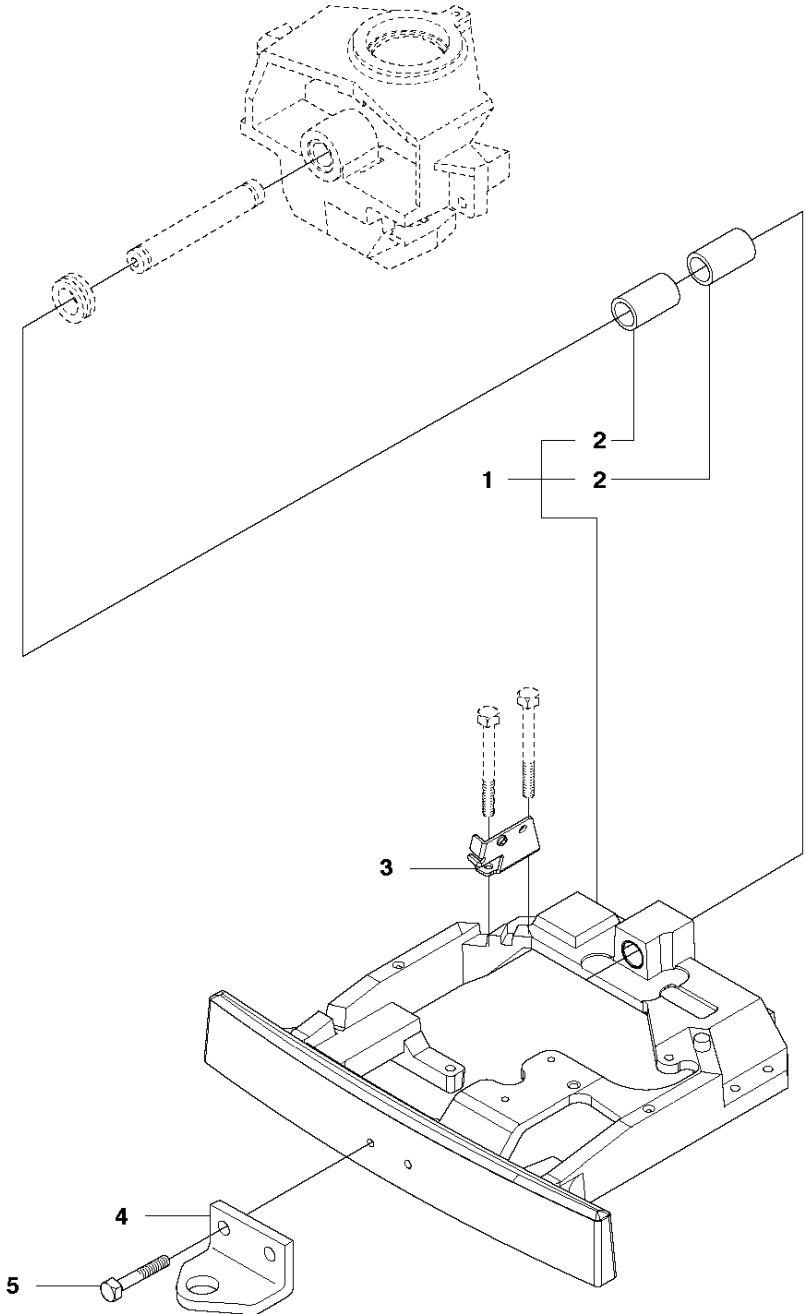


CHASSIS REAR

R216, 967291102, 2018

Ref	Part No	Description	Remark	QTY	KIT
1	506 98 63-01	TRANSMISSION		1	
2	725 24 67-51	SCREW EHHM		5	
3	734 11 64-01	WASHER		4	
4	731 23 18-01	HEXAGON NUT		5	
5	725 24 62-51	SCREW EHHM		1	
6	506 59 93-01	LINK		1	
7	579 59 68-01	LEVER		1	
8	584 28 86-04	WASHER		2	
9	725 24 51-71	SCREW EHHM		2	
10	506 98 75-01	ADJUSTMENT ROD		1	
11	732 21 14-01	LOCK NUT		2	
12	506 98 82-01	FRIKOPPLINGSSTÅNG		1	
13	506 83 43-01	SPRING		1	
14	506 98 84-01	BELT TENSIONER ASSY		1	
15	588 74 04-01	BELT TENSIONER		1	14
16	506 94 69-01	BELT TENS WHEEL ASSY		1	14
17	725 24 55-51	SCREW		1	14
18	734 11 64-41	WASHER		1	14
19	732 21 18-01	LOCK NUT		1	14
20	506 98 86-01	SPRING		1	
21	506 98 88-01	PENDULUM		1	
22	731 23 20-51	HEXAGON NUT		1	
23	506 98 90-01	EXPANSION TANK		1	
24	590 32 47-01	TANK CAP ASSY		1	
25	505 13 11-02	HOSE CLAMP		1	

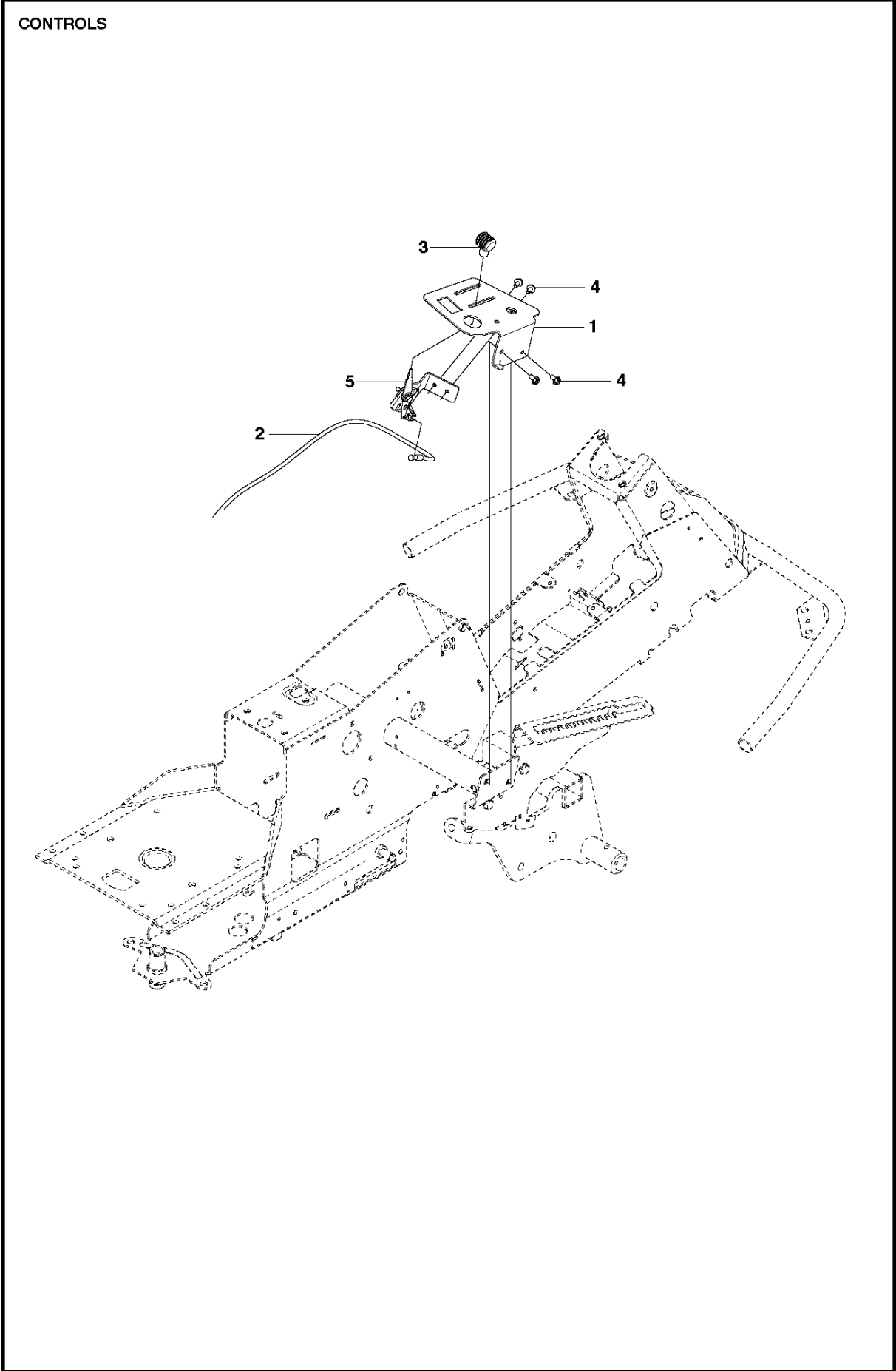
CHASSIS, REAR - 1



CHASSIS REAR

R216, 967291102, 2018

Ref	Part No	Description	Remark	QTY	KIT
1	582 24 46-01	BRACKET		1	
2	506 98 61-02	GLIDLAGER		2	1
3	506 98 77-01	BRACKET		1	
4	506 88 99-01	HITCH		1	
5	725 24 93-71	SCREW EHHM		2	

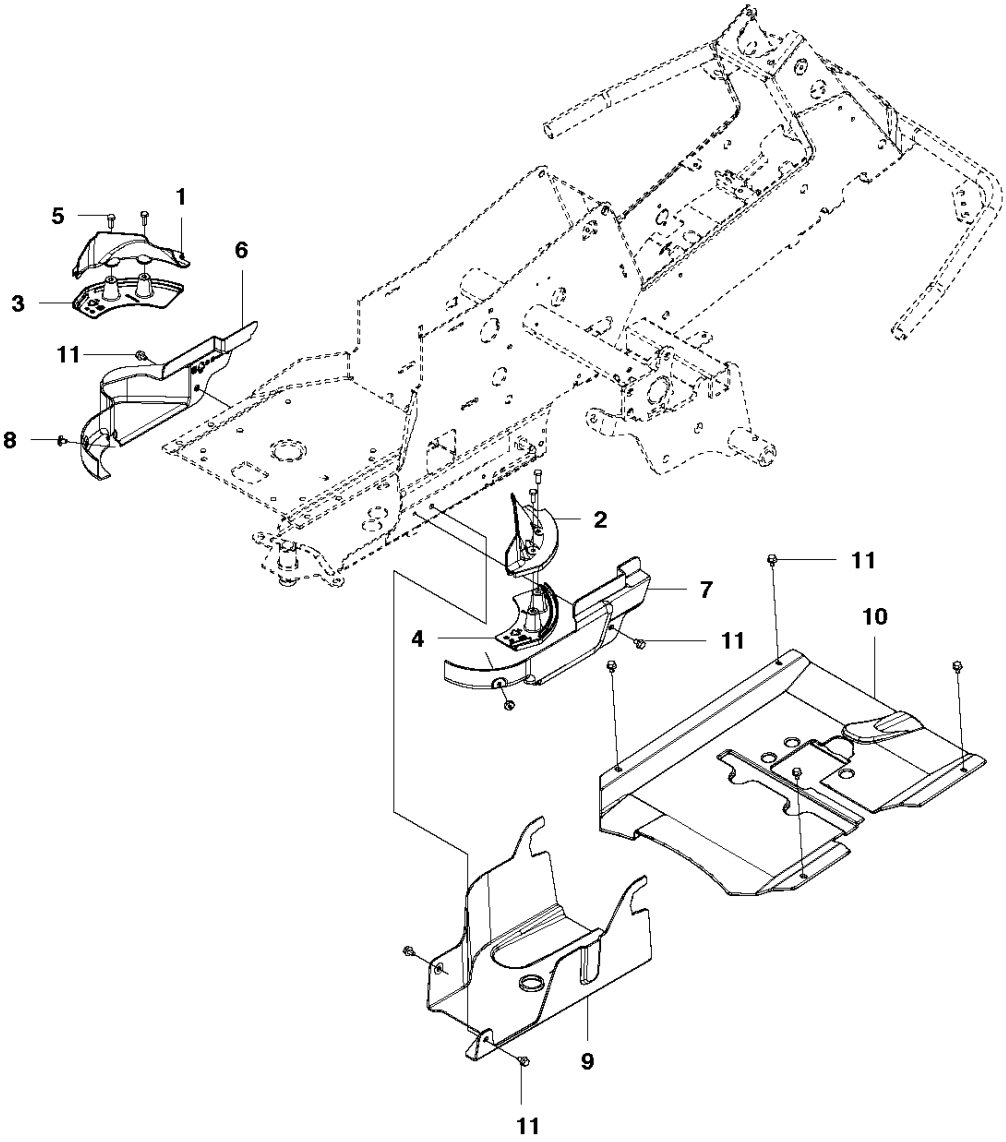


CONTROLS

R216, 967291102, 2018

Ref	Part No	Description	Remark	QTY KIT
1	578 03 31-01	SUPPORT		1
2	544 30 17-01	WIRE		1
3	506 88 91-01	KNOB		1
4	535 47 52-12	SCREW EHHFM		4
5	578 02 35-01	THROTTLE CONTROL		1

COVER - 3

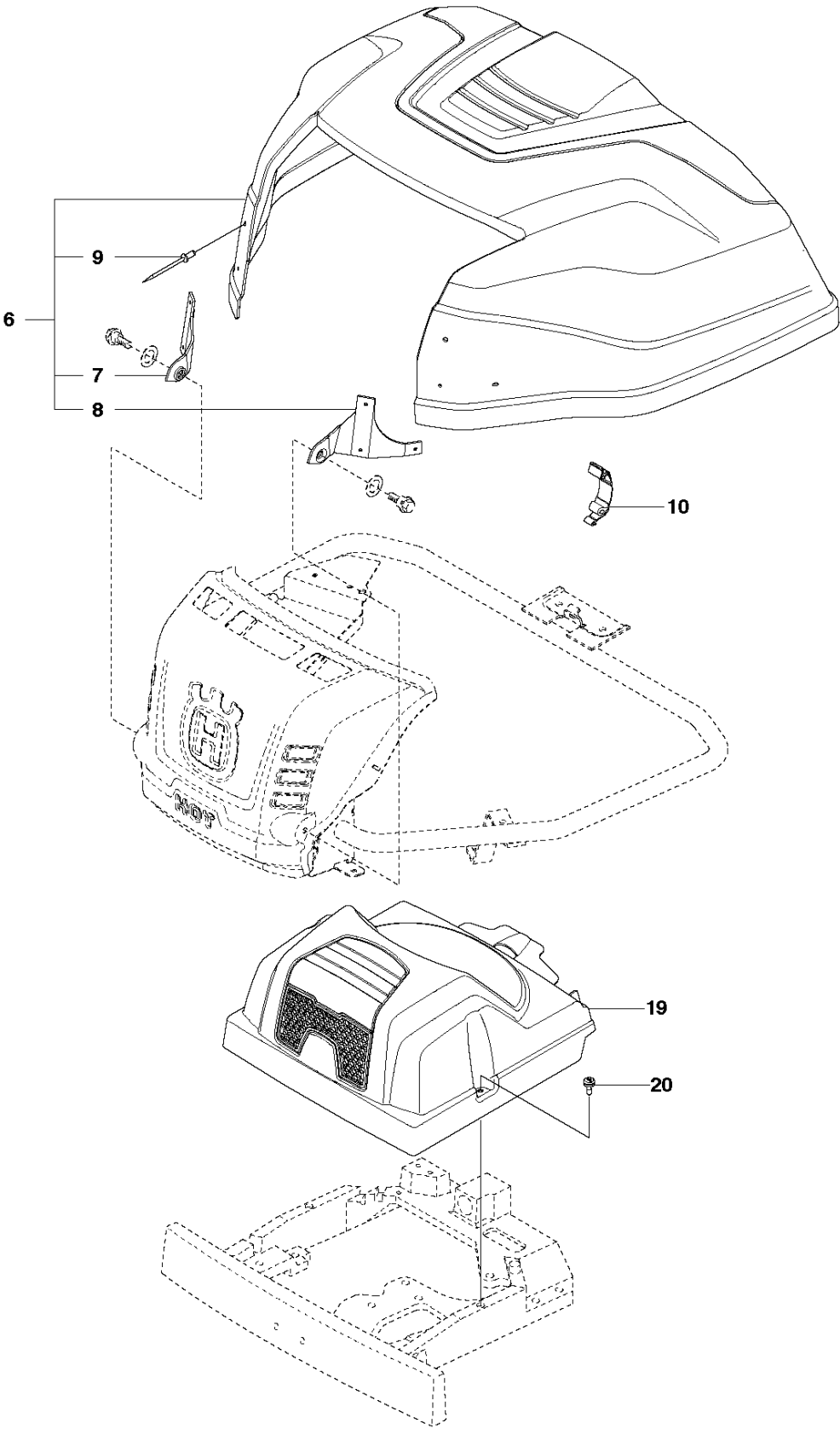


COVER

R216, 967291102, 2018

Ref	Part No	Description	Remark	QTY KIT
1	510 22 25-01	BELT COVER		1
2	510 22 25-02	BELT COVER		1
3	510 22 27-01	BELT COVER		1
4	510 22 27-02	BELT COVER		1
5	725 23 68-61	SCREW EHHFT		4
6	510 22 23-03	BELT COVER		1
7	510 22 24-01	BELT COVER		1
8	522 55 73-01	SCREW		2
9	510 44 20-01	BELT COVER		1
10	510 43 62-03	BELT COVER		1
11	725 23 64-61	SCREW EHHFT		8

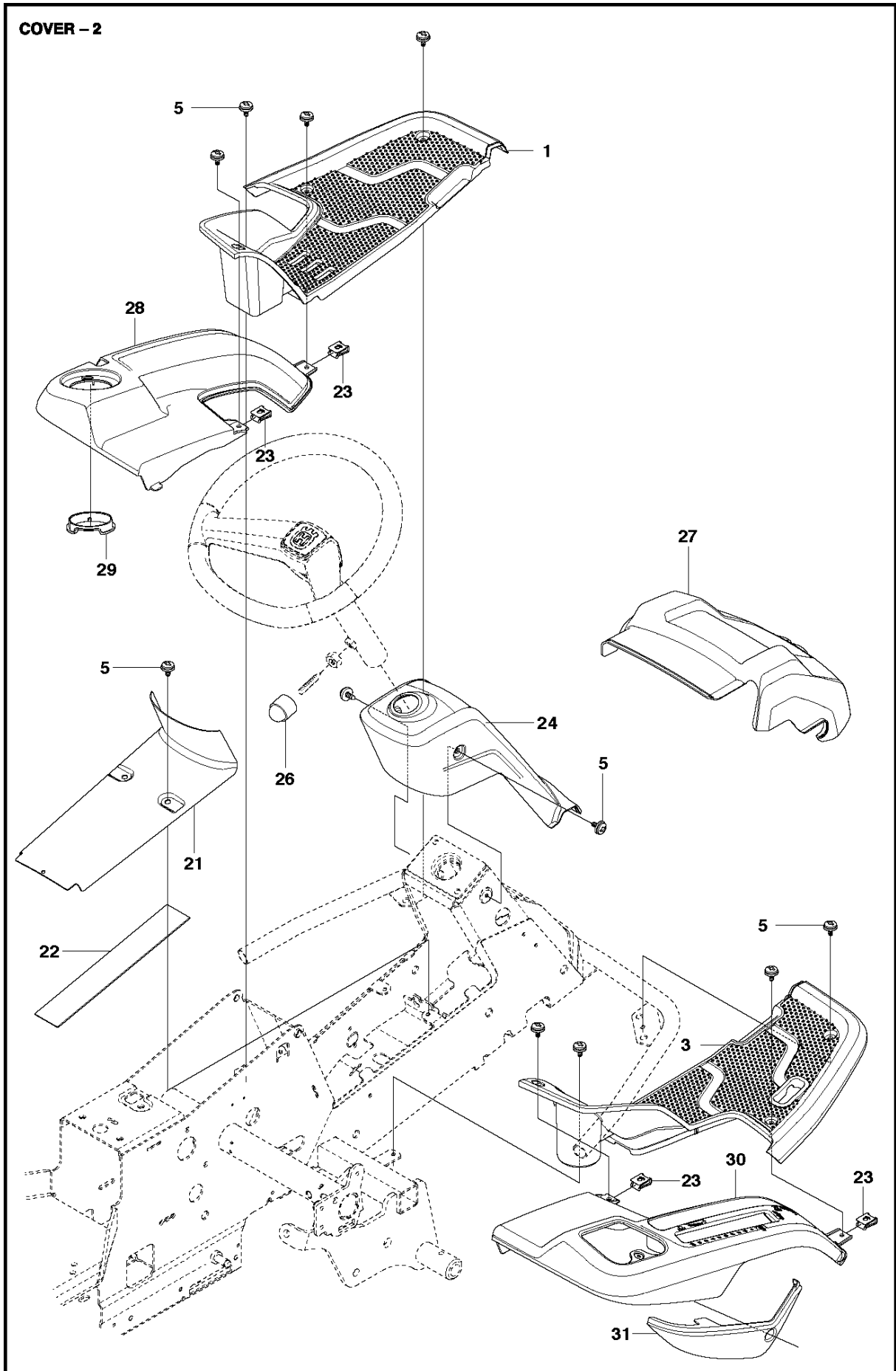
COVER - 1



COVER

R216, 967291102, 2018

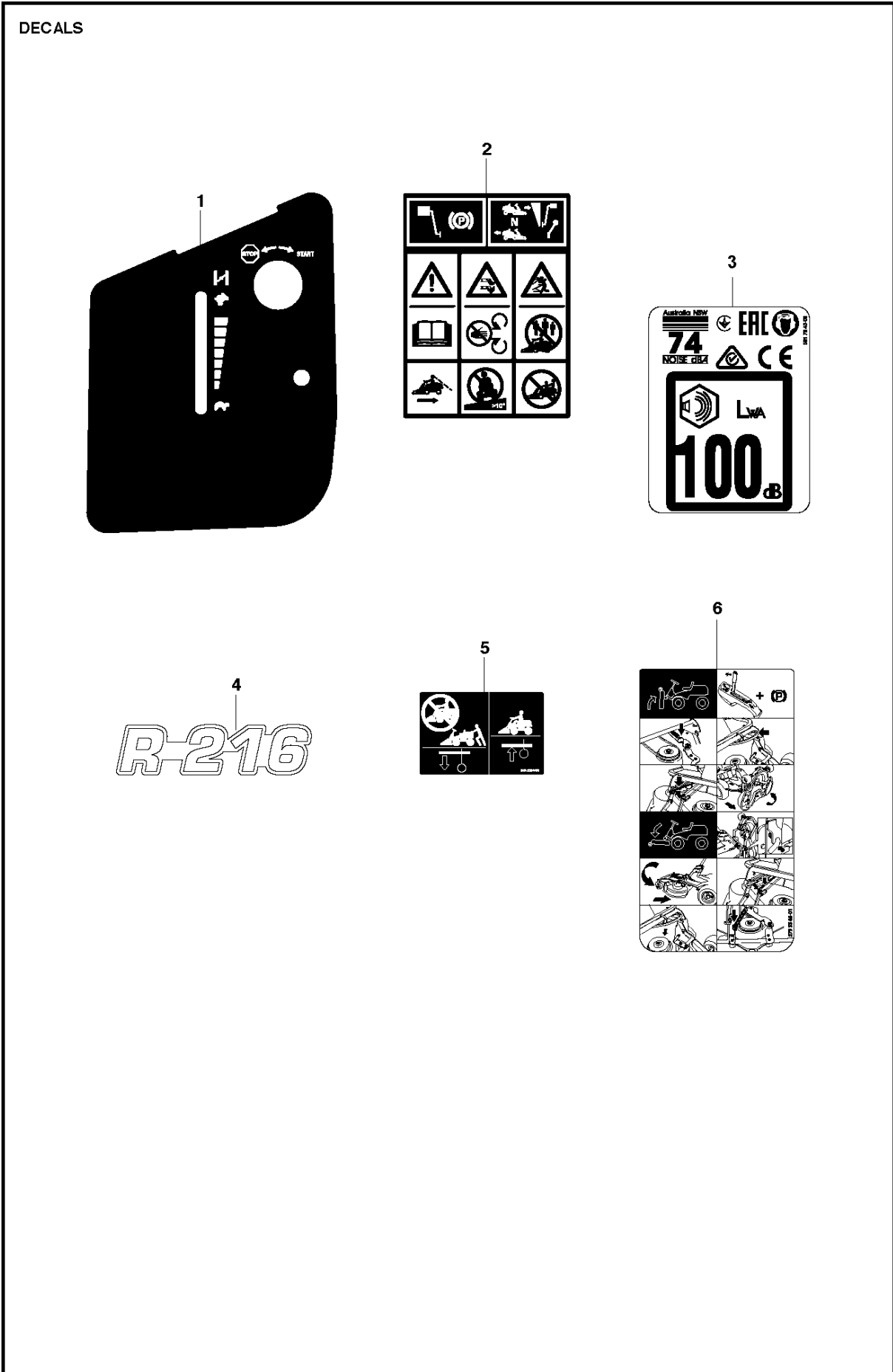
Ref	Part No	Description	Remark	QTY	KIT
6	577 61 49-01	ENGINE HOOD ASSY		1	
7	578 11 65-01	HINGE		1	6
8	578 11 65-02	HINGE		1	6
9	722 79 54-02	RIVET		6	6
10	503 89 47-03	SNAP		1	
19	578 26 13-04	TRANSMISSION COVER		1	
20	574 85 62-01	SCREW		2	



COVER

R216, 967291102, 2018

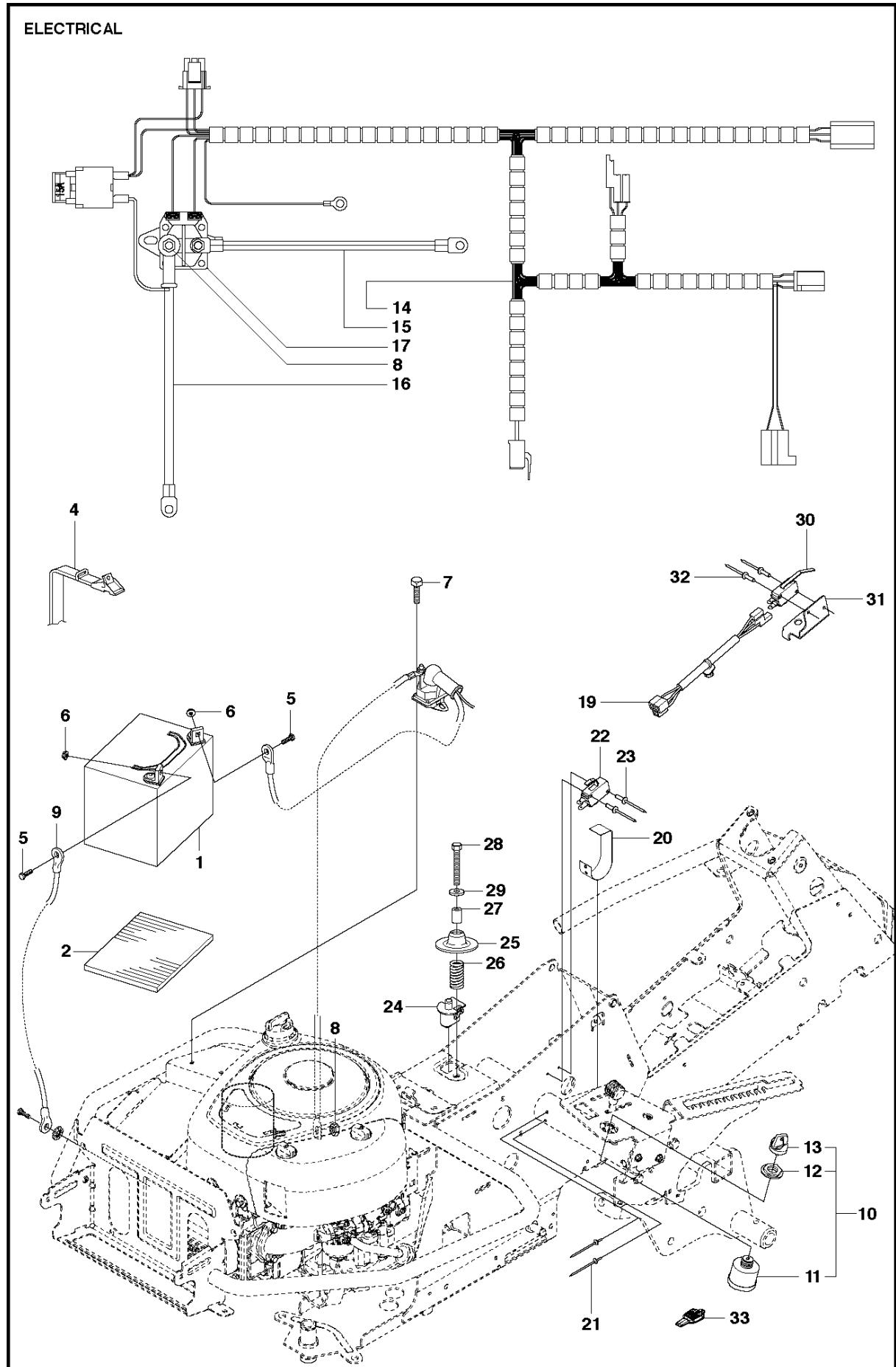
Ref	Part No	Description	Remark	QTY KIT
1	577 72 93-01	FOOT PLATE		1
3	577 72 94-01	FOOT PLATE		1
5	544 40 05-01	SCREW		14
21	544 23 92-01	COVER		1
22	544 42 75-01	MAT		1
23	535 42 91-01	SPRING NUT		4
24	577 61 58-01	COVER		1
26	544 43 32-01	PROTECTIVE COVER		1
27	578 77 63-01	UNIT COVER		1
28	577 72 95-01	FENDER		1
29	577 76 45-01	LOCKING NUT		1
30	577 72 96-01	FENDER		1
31	577 73 75-01	CONTROL COVER		1



DECALS

R216, 967291102, 2018

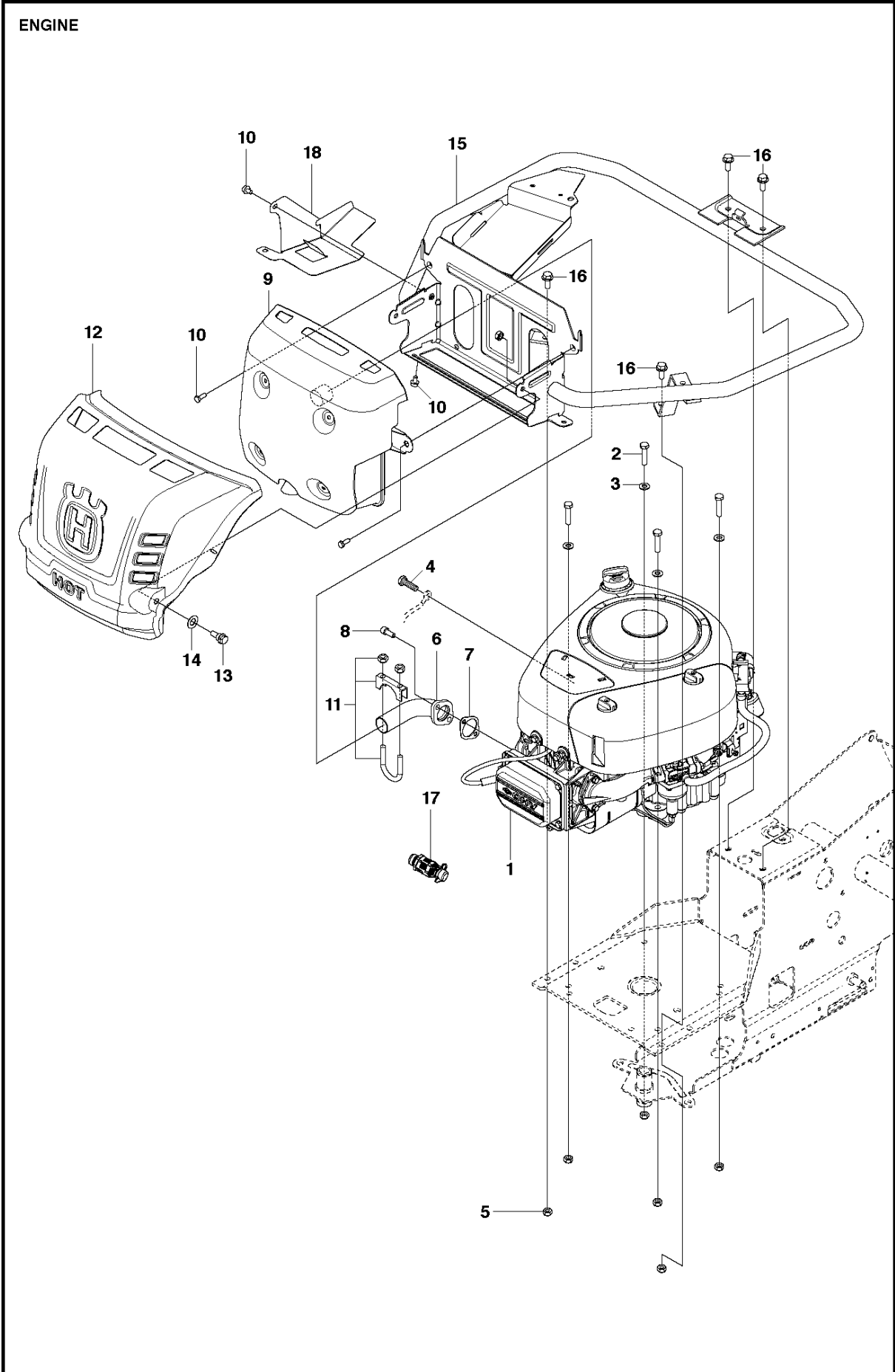
Ref	Part No	Description	Remark	QTY KIT
1	578 39 25-06	DECAL		1
2	582 57 00-01	LABEL		1
3	581 78 40-06	LABEL		1
4	578 36 45-02	DECAL		2
5	544 21 14-01	LABEL		1
6	579 55 65-01	DECAL		1



ELECTRICAL

R216, 967291102, 2018

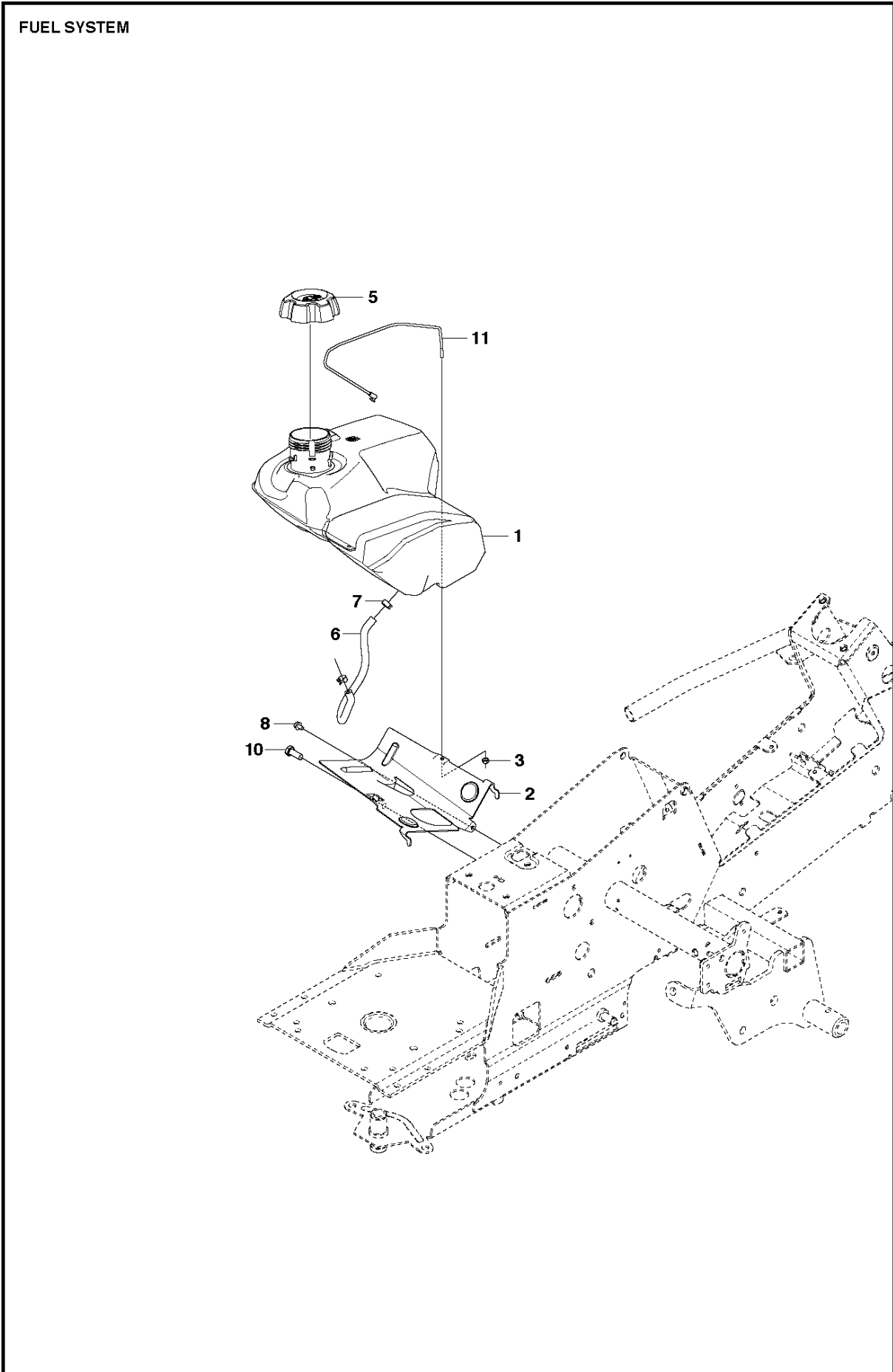
Ref	Part No	Description	Remark	QTY	KIT
1	577 04 16-01	BATTERY		1	
2	535 44 11-01	BATTERY MAT		1	
4	506 83 68-02	BELT		1	
5	522 62 21-01	SCREW EHHM		2	
6	522 62 43-01	NUT		2	
7	725 23 64-61	SCREW EHHFT		1	
8	506 89 98-01	NUT		3	
9	576 18 38-01	CABLE		1	
10	544 44 21-01	IGNITION SWITCH		1	
11	544 44 22-01	IGNITION SWITCH		1	10
12	544 44 23-01	NUT		1	10
13	544 44 24-01	IGNITION KEY		1	10
14	578 33 83-01	WIRING		1	
15	576 18 40-01	CABLE		1	
16	576 18 39-01	CABLE		1	
17	544 43 98-01	RELAY		1	
19	576 18 54-01	WIRING		1	
20	506 90 93-01	PLATE SPRING		1	
21	722 78 39-02	BLIND RIVET		2	
22	574 31 60-01	SWITCH		1	
23	544 44 07-01	RIVET		2	
24	506 90 96-01	SWITCH		1	
25	506 90 97-01	SPRING WASHER		1	
26	544 44 12-01	SPRING		1	
27	506 90 99-02	SPACING TUBE		1	
28	725 24 60-51	SCREW EHHM		1	
29	734 11 64-01	WASHER		1	
30	574 31 61-01	SWITCH		1	
31	544 41 57-01	BRACKET		1	
32	544 44 07-01	RIVET		2	
33	586 37 94-01	LEVER		1	



ENGINE

R216, 967291102, 2018

Ref	Part No	Description	Remark	QTY KIT
1	591 07 48-01	ENGINE		1
2	725 24 57-51	SCREW		4
3	734 11 64-01	WASHER		4
4	506 55 63-02	SCREW UNC		4
5	732 21 18-01	LOCK NUT		6
6	578 05 48-02	EXHAUST PIPE		1
7	506 91 45-01	GASKET		1
8	506 55 63-01	SCREW UNC		2
9	577 81 36-01	MUFFLER		1
10	725 23 64-61	SCREW EHHFT		4
11	506 66 84-01	CLAMP ASSY		1
12	577 81 85-02	HEAT SHIELD		1
13	506 59 74-01	SCREW EHHFM		2
14	506 83 94-01	SPRING WASHER		2
15	577 97 26-01	ENGINE FRAME		1
16	506 57 01-04	SCREW EHHFM		4
17	532 42 82-87	PLUG		1
18	579 52 93-02	AIR DUCT		1

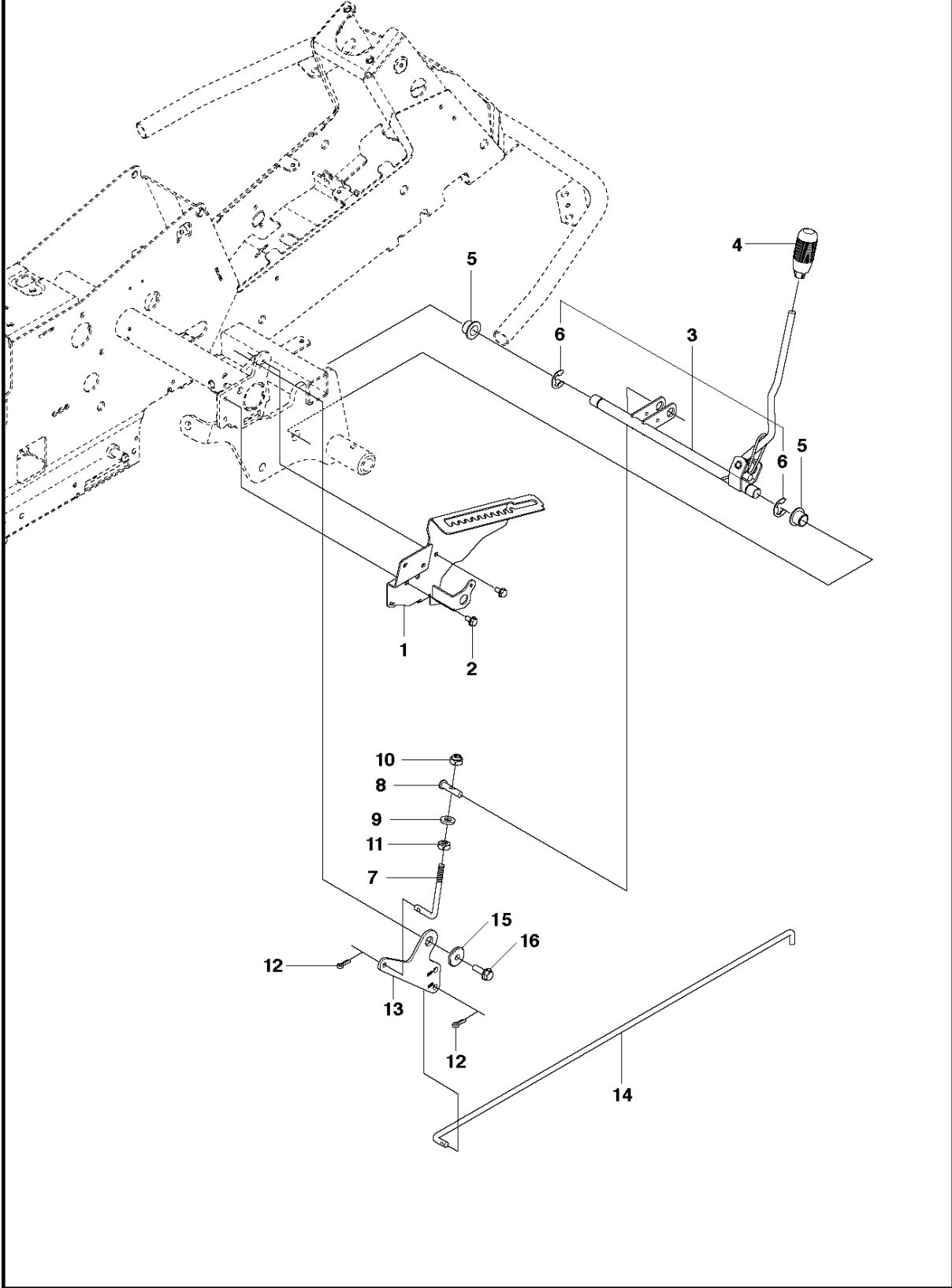


FUEL SYSTEM

R216, 967291102, 2018

Ref	Part No	Description	Remark	QTY KIT
1	577 91 50-01	FUEL TANK		1
2	578 05 38-01	BRACKET		1
3	732 21 16-01	NUT		1
5	532 43 96-45	HUB CAP		1
6	504 80 00-10	FUEL HOSE		1
7	535 46 97-01	HOSE BRACE		2
8	725 23 64-61	SCREW EHHFT		1
10	725 24 93-71	SCREW EHHM		1
11	578 26 15-01	WIRE		1

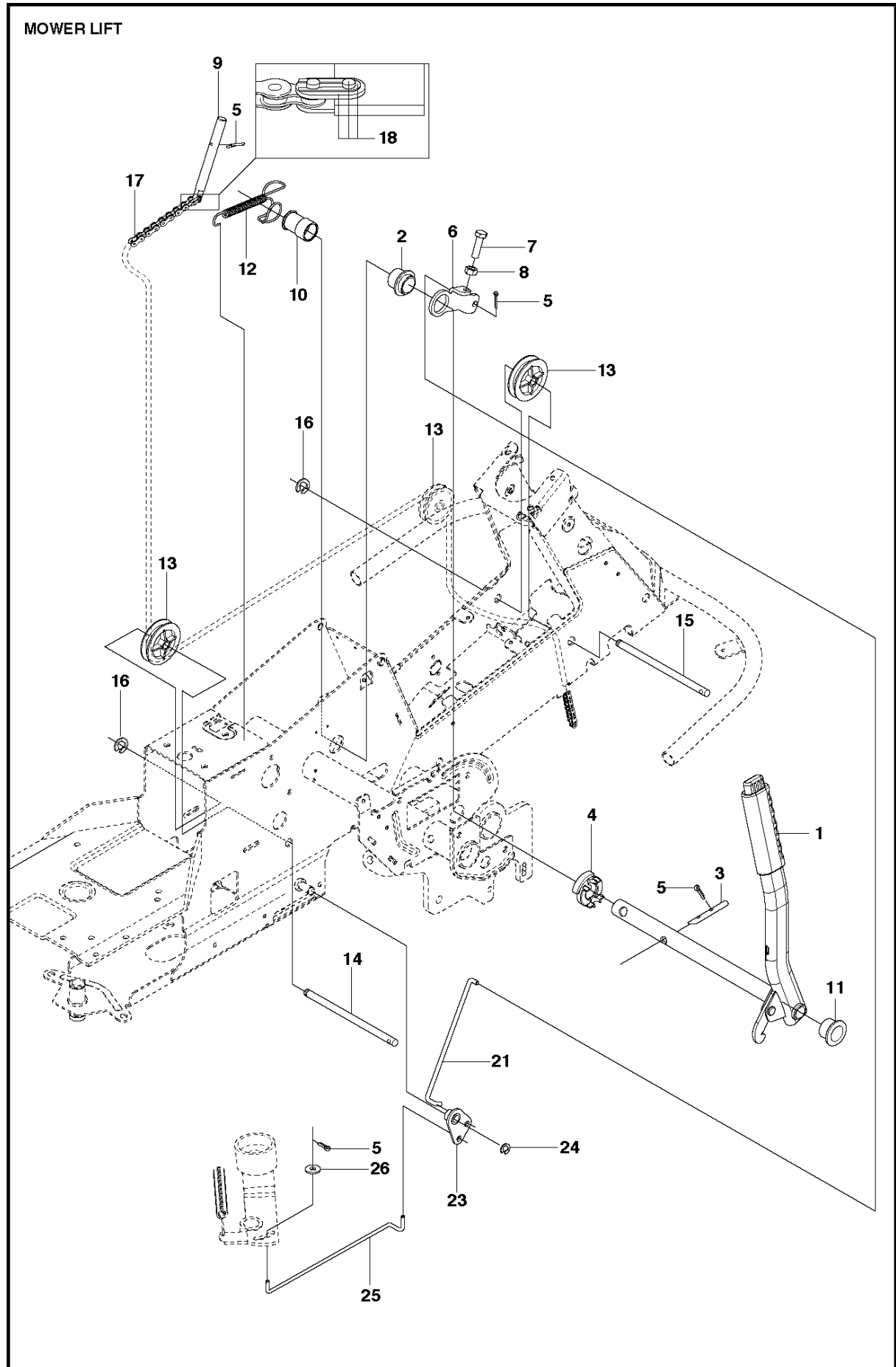
HEIGHT ADJUSTMENT
2017



HEIGHT ADJUSTMENT

R216, 967291102, 2018

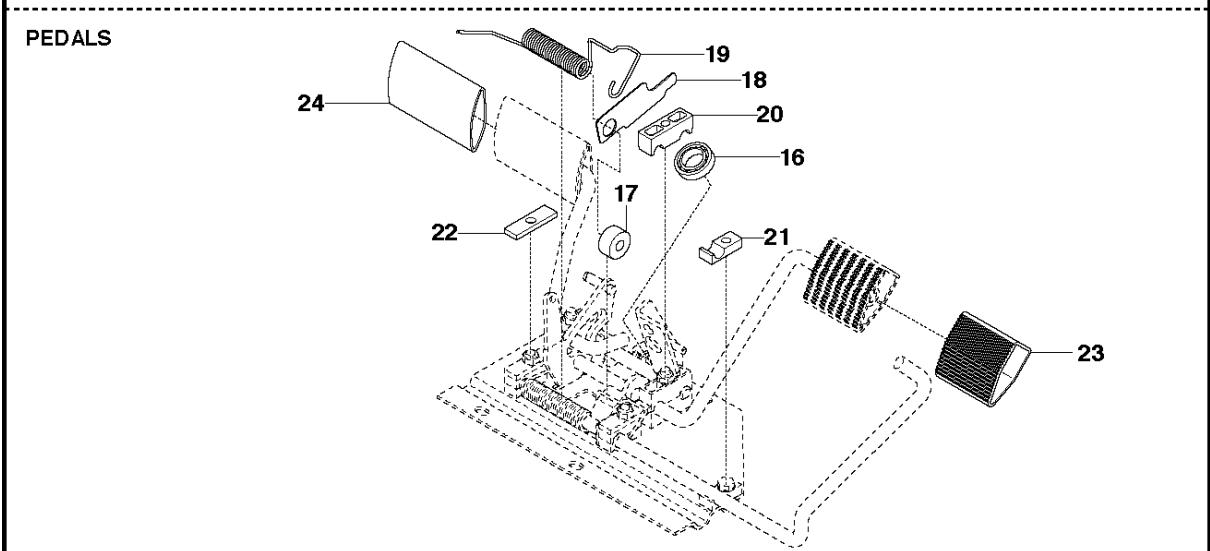
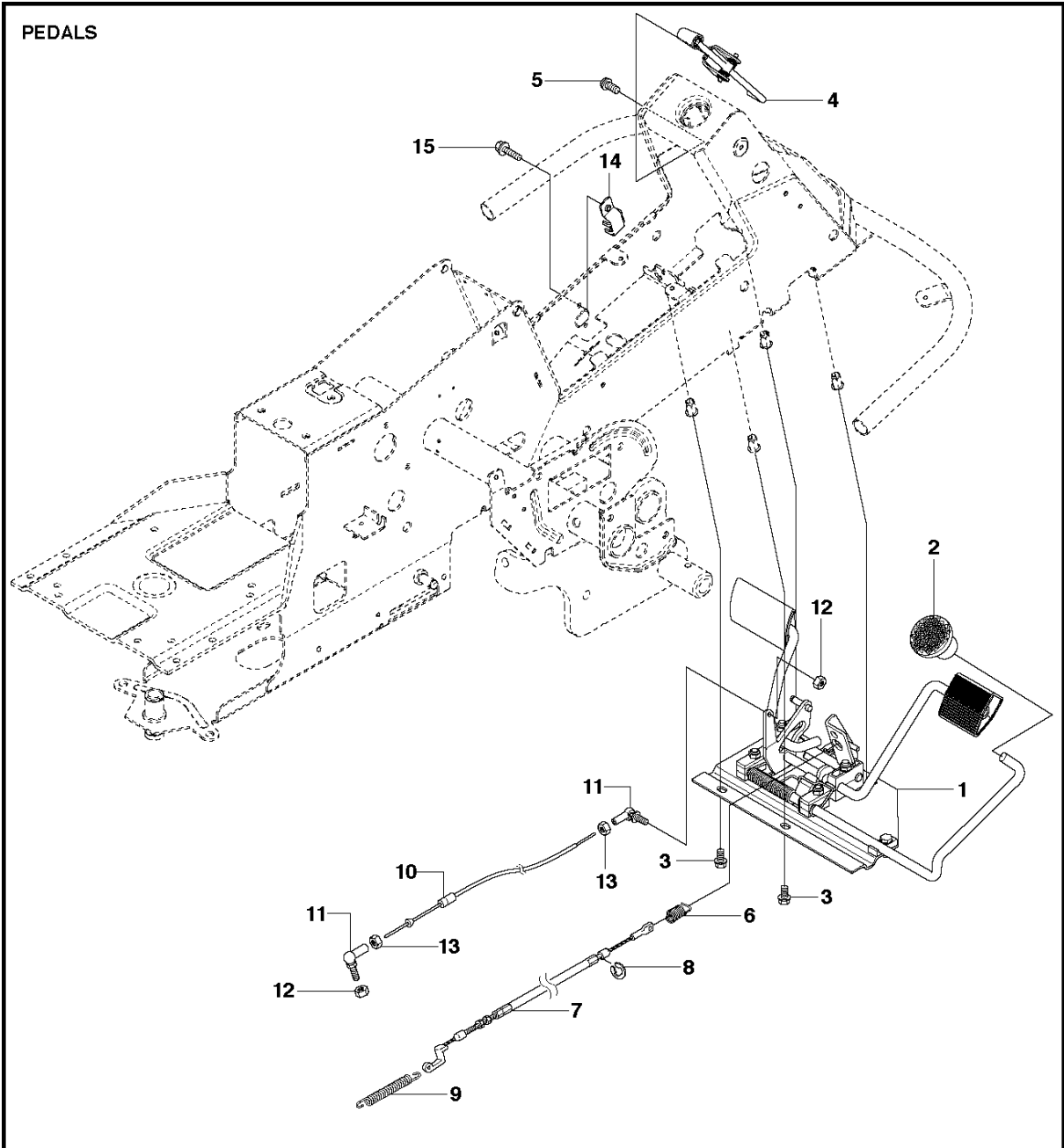
Ref	Part No	Description	Remark	QTY KIT
1	578 00 13-02	BRACKET		1
2	506 57 01-03	SCREW EHHFM		2
3	577 99 99-01	ADJUSTER		1
4	506 54 20-01	HANDLE		1
5	584 87 13-02	BEARING		2
6	735 31 22-20	E-CLIP		2
7	506 90 82-01	HEIGHT ROD		1
8	506 78 46-01	PEN		1
9	734 11 72-01	WASHER		1
10	732 21 18-01	LOCK NUT		1
11	731 23 18-01	HEXAGON NUT		1
12	721 61 83-01	SPLIT PIN		2
13	578 04 07-01	LINK		1
14	523 11 45-01	CONNECTION ROD		1
15	584 28 86-01	WASHER		1
16	506 57 01-05	SCREW EHHFM		1



MOWER LIFT / DECK LIFT

R216, 967291102, 2018

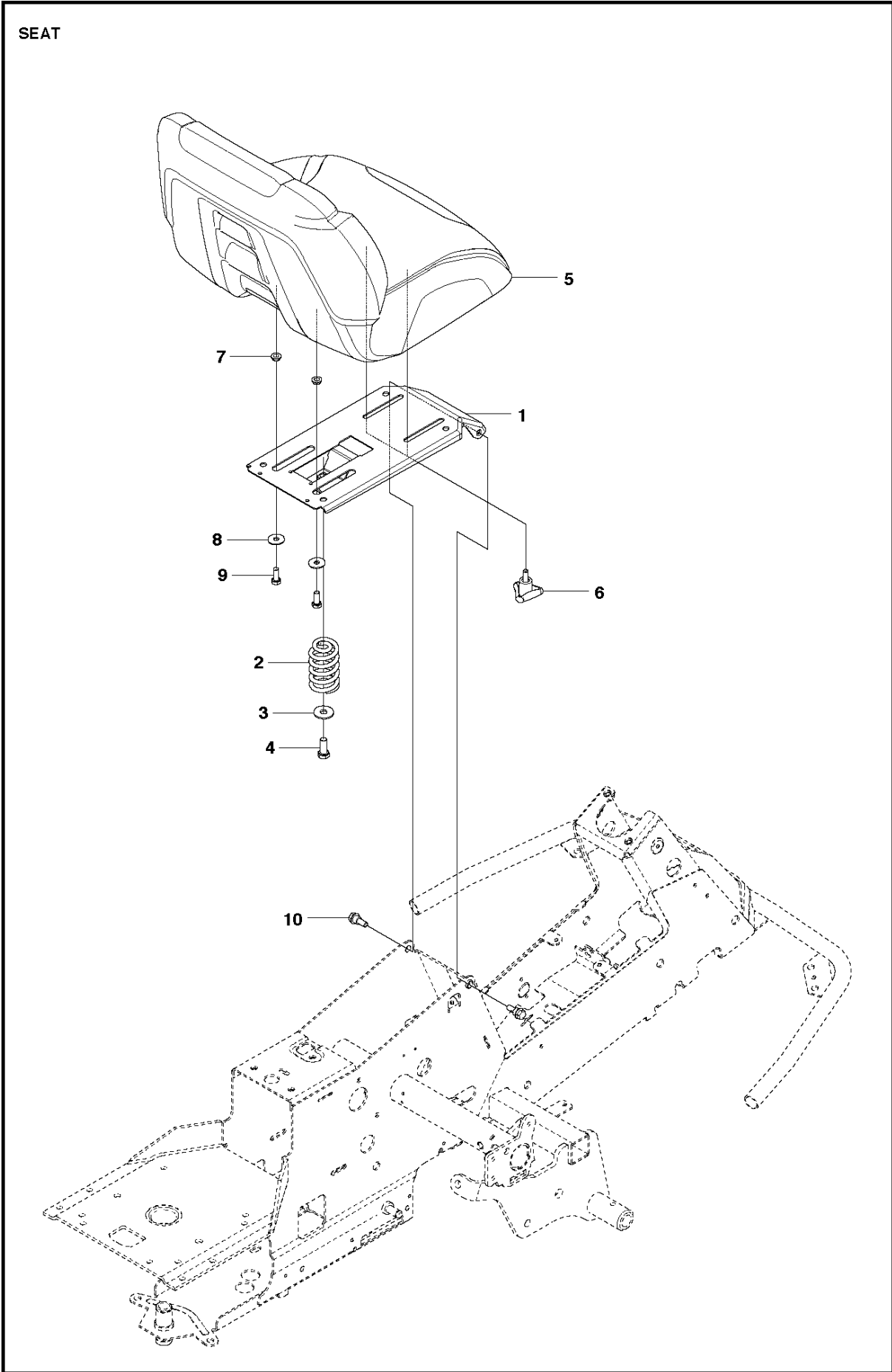
Ref	Part No	Description	Remark	QTY KIT
1	501 06 53-01	LIFTING LEVER ASSY		1
2	588 92 69-01	BEARING		1
3	525 40 66-01	PEN		1
4	588 92 71-01	ANVIL		1
5	721 61 83-01	SPLIT PIN		4
6	588 92 70-01	LIFTING ARM		1
7	725 24 97-51	SCREW		1
8	731 23 20-01	HEXAGON NUT		1
9	588 92 74-01	ROD		1
10	588 92 73-01	ANVIL		1
11	584 87 13-01	BEARING		1
12	588 92 75-01	SPRING		1
13	506 90 56-01	OFFSET PULLEY		2
14	582 87 19-01	SHAFT		1
15	582 87 19-02	SHAFT		1
16	735 31 18-20	E-CLIP		2
17	506 55 46-09	CHAIN		1
18	506 55 47-01	LINKAGE		1
21	544 45 69-01	CONNECTION ROD		1
23	544 37 86-01	LINK		1
24	735 31 14-20	E-CLIP		1
25	544 44 88-01	CONNECTION ROD		1
26	734 11 64-41	WASHER		1



PEDALS

R216, 967291102, 2018

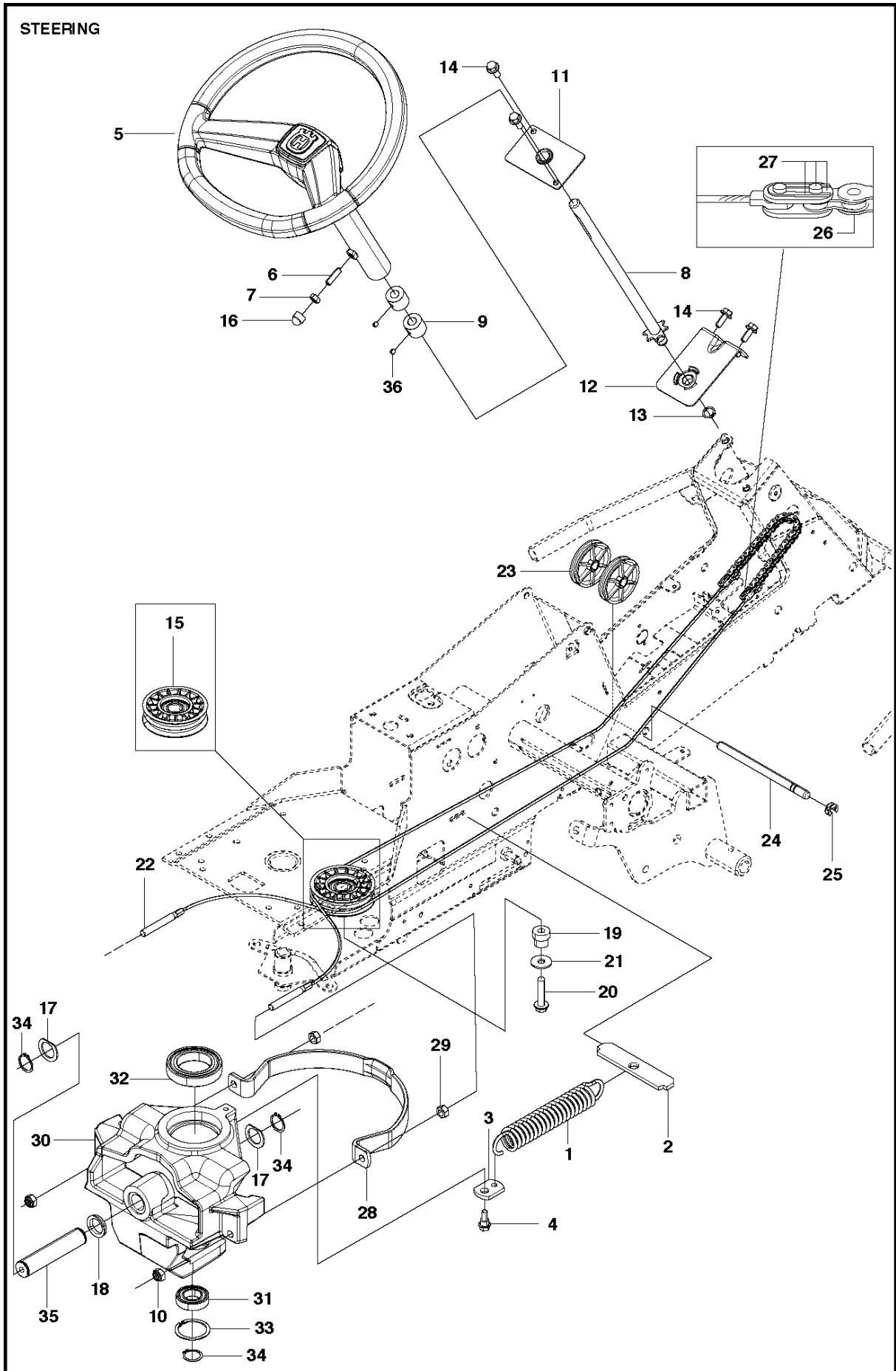
Ref	Part No	Description	Remark	QTY KIT
1	544 12 60-01	PEDAL PLATE ASSY		1
2	535 47 37-01	KNOB		1
3	506 57 01-04	SCREW EHHFM		4
4	544 40 31-01	BRAKE LEVER ASSY		1
5	725 23 64-61	SCREW EHHFT		2
6	506 94 63-01	BRAKE SPRING		1
7	506 99 27-01	BRAKE WIRE		1
8	735 31 09-20	E-CLIP		1
9	506 53 56-03	DRAW SPRING		1
10	574 41 11-01	CONTROL CABLE		1
11	506 55 73-01	VINKELL.AS8 DIN71802		2
12	732 21 14-01	LOCK NUT		2
13	731 23 14-01	HEXAGON NUT		2
14	522 43 08-01	BRACKET		1
15	725 23 64-61	SCREW EHHFT		1
16	738 21 02-04	BALL BEARING		1
17	535 48 02-01	ROLLER		1
18	535 48 06-01	PROTECTIVE PLATE		1
19	535 48 07-01	SPRING		1
20	535 48 08-01	BEARING SUPPORT		4
21	535 48 09-01	BEARING SUPPORT		1
22	535 48 10-01	REINFORCEMENT PLATE		1
23	535 47 88-01	PEDAL RUBBER		1
24	535 47 88-02	PEDAL RUBBER		1



SEAT

R216, 967291102, 2018

Ref	Part No	Description	Remark	QTY KIT
1	587 15 27-01	SEAT BRACKET		1
2	506 91 53-01	COMPRESSION SPRING		1
3	734 11 74-41	WASHER		1
4	725 24 93-71	SCREW EHHM		1
5	587 39 76-01	SEAT		1
6	585 06 52-02	KNOB		2
7	506 56 53-01	BUSHING		2
8	734 11 64-41	WASHER		2
9	725 24 51-71	SCREW EHHM		2
10	506 59 74-01	SCREW EHHFM		2

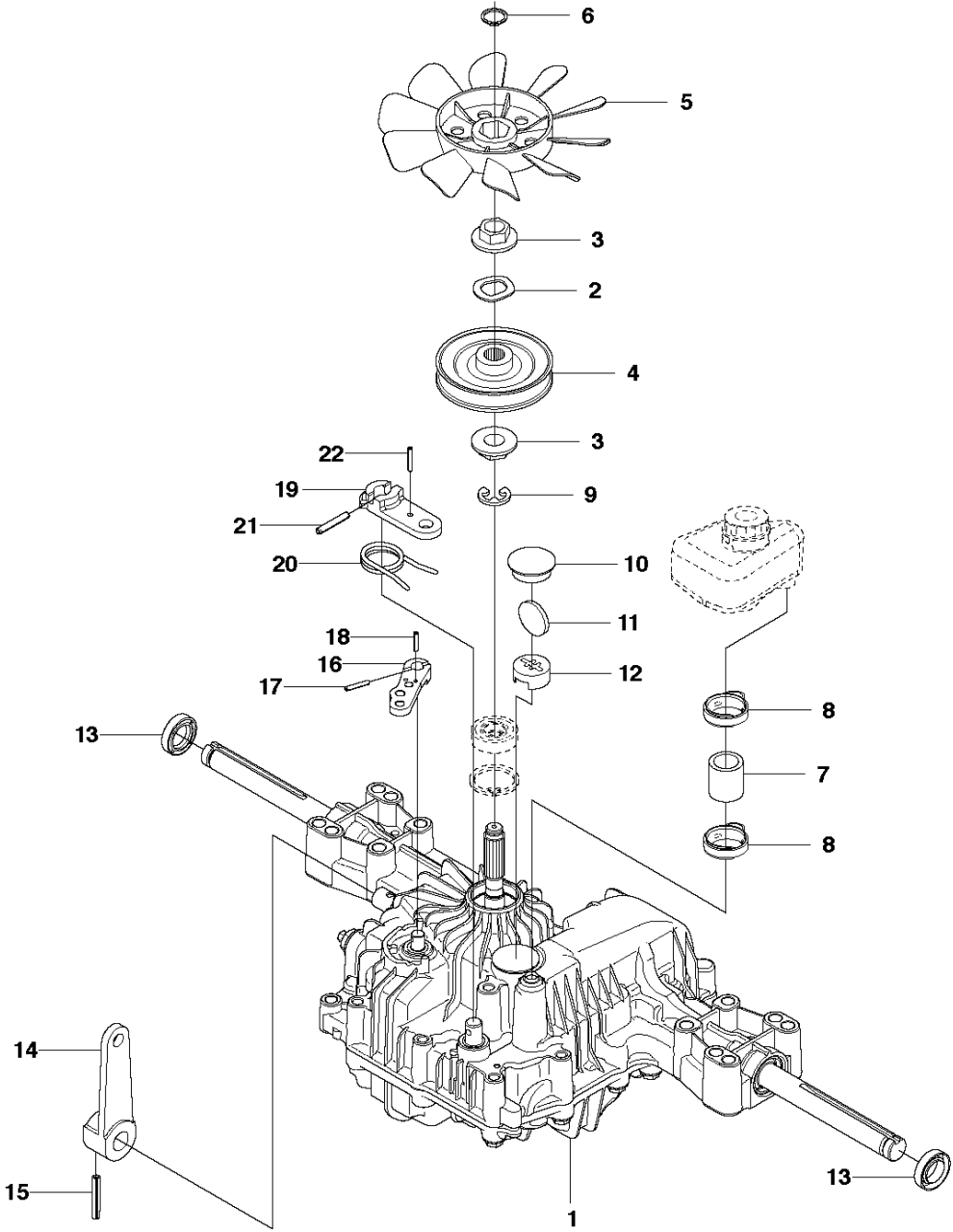


STEERING

R216, 967291102, 2018

Ref	Part No	Description	Remark	QTY KIT
1	506 67 19-01	SPRING		1
2	506 57 63-01	SPRING RETAINER		1
3	506 67 08-01	LINK		1
4	506 59 74-01	SCREW EHHFM		1
5	577 96 04-02	STEERING WHEEL		1
6	728 74 55-05	SCREW IHSETM		1
7	731 23 18-01	HEXAGON NUT		1
8	583 89 99-01	STEERING ROD		1
9	506 86 34-01	DRIVER		2
10	732 21 20-51	NUT		2
11	584 15 56-01	BRACKET		1
12	583 89 97-01	BRACKET		1
13	735 31 17-00	CIRCLIP		1
14	506 57 01-04	SCREW EHHFM		4
15	576 49 25-01	PULLEY		1
16	544 43 32-01	PROTECTIVE COVER		1
17	506 77 34-01	WASHER		2
18	740 68 14-21	V-RING		1
19	576 48 73-01	BUSHING		1
20	506 67 54-03	SCREW EHHFM		1
21	734 11 74-41	WASHER		1
22	577 19 99-04	WIRE ASSY		2
23	506 52 24-01	STARTER PULLEY		2
24	506 53 94-04	SHAFT		1
25	735 31 14-20	E-CLIP		2
26	506 55 46-01	CHAIN		1
27	506 55 47-01	LINKAGE		2
28	544 42 73-01	WIRE GUIDE		1
29	731 23 20-01	HEXAGON NUT		2
30	577 65 93-01	SPINDLE		1
31	738 21 05-04	BALL BEARING		1
32	738 21 10-04	BALL BEARING		1
33	735 31 40-10	CIRCLIP		1
34	735 31 26-00	CIRCLIP		3
35	506 98 59-01	SWING AXLE		1
36	728 84 43-05	SCREW IHSETM		2

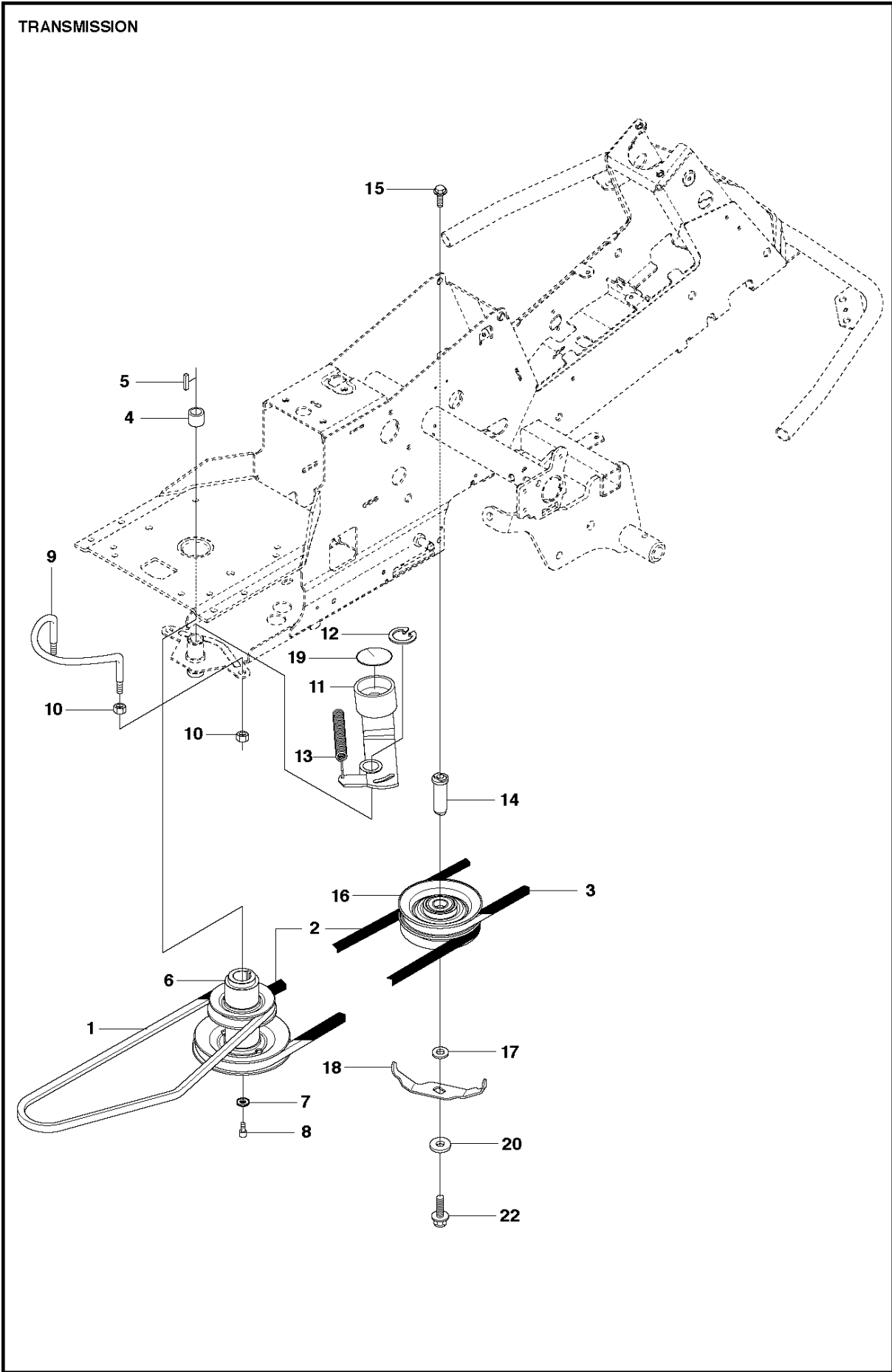
HYDROSTAT K46 EU



TRANSMISSION

R216, 967291102, 2018

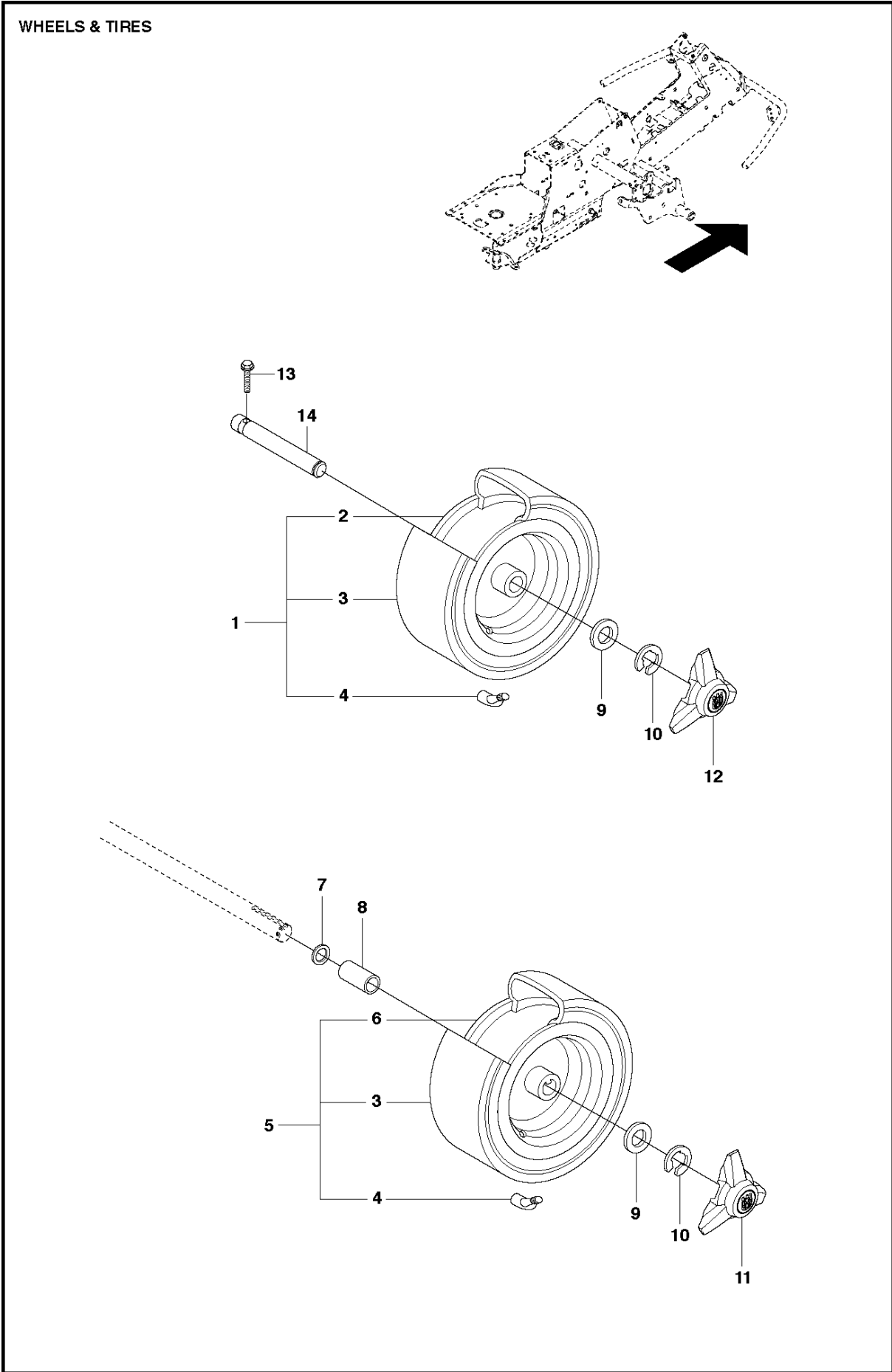
Ref	Part No	Description	Remark	QTY KIT	
1	506 98 63-01	TRANSMISSION		1	
2	506 98 65-01	SPRING WASHER		1	
3	506 98 66-01	DISTANCE		2	
4	502 45 19-01	PULLEY		1	
5	506 98 68-01	FAN		1	
6	735 31 15-00	CIRCLIP		1	
7	502 45 16-01	TUBE		1	
8	506 98 70-01	HOSE CLAMP		2	
9	535 40 28-07	CLIP		1	1
10	535 40 28-32	PLUG		1	1
11	535 40 28-29	MAGNET		1	1
12	502 45 20-01	MAGNET HOLDER		1	1
13	535 40 28-37	SEALING		2	1
14	502 45 32-01	CONTROL LEVER		1	1
15	535 40 28-09	PIN RETAINING SCREW		1	1
16	535 40 28-17	LEVER		1	1
17	535 40 28-16	PIN RETAINING SCREW		1	1
18	535 40 28-33	PIN RETAINING SCREW		1	1
19	535 40 28-38	LEVER		1	1
20	535 40 28-39	RETURN SPRING		1	1
21	535 40 28-40	PIN RETAINING SCREW		1	1
22	535 40 28-41	PIN RETAINING SCREW		1	1



TRANSMISSION

R216, 967291102, 2018

Ref	Part No	Description	Remark	QTY KIT
1	522 93 03-01	BELT		1
2	544 40 02-01	BELT		1
3	585 03 44-01	BELT		1
4	506 50 92-01	SPACING SLEEVE		1
5	506 55 59-01	WEDGE		1
6	535 48 24-01	PULLEY		1
7	506 59 75-01	WASHER		1
8	506 55 60-02	SCREW UNC		1
9	587 42 52-01	BELT GUIDE		1
10	732 21 20-51	NUT		2
11	535 48 44-01	BELT TENSIONER ASSY		1
12	735 31 26-00	CIRCLIP		1
13	506 66 56-01	SPRING		1
14	581 91 64-01	SHAFT		1
15	506 67 54-02	SCREW EHHFM		1
16	535 48 22-01	MELLANHJUL		1
17	725 24 93-71	SCREW EHHM		2
18	544 40 53-01	BELT GUIDE		1
19	535 48 50-01	SEALING		1
20	586 32 02-01	DISTANCE		1
22	586 32 04-01	SCREW		1



WHEELS & TIRES

R216, 967291102, 2018

Ref	Part No	Description	Remark	QTY	KIT
1	523 01 22-02	WHEEL		2	
2	523 03 45-01	RIM		1	1
3	523 03 46-02	TYRE		1	1, 5
4	523 03 47-01	VALVE		1	1, 5
5	523 01 26-02	WHEEL		2	
6	523 03 48-01	RIM		1	5
7	506 50 48-05	WASHER		4	
8	506 59 62-03	SPACING SLEEVE		2	
9	506 50 48-03	WASHER		2	
10	506 89 90-01	E-CLIP		4	
11	544 35 35-01	HUB CAP		2	
12	544 35 35-02	HUB CAP		2	
13	725 24 59-61	SCREW EHHFT		2	
14	535 47 08-01	WHEEL AXLE		2	