

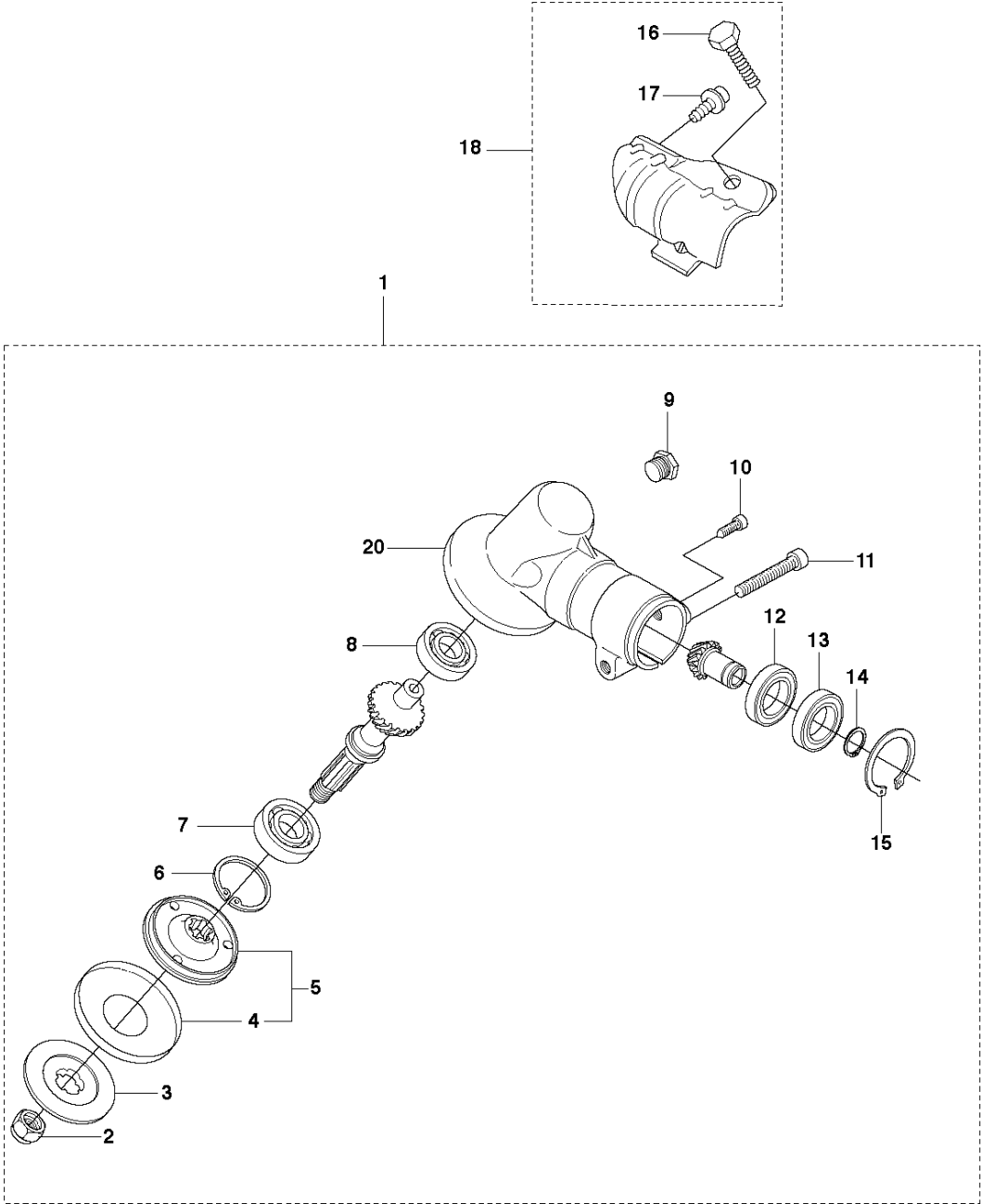


# SPARE PARTS LIST

ACCESSORIES AND TOOLS

TRIMMER ATTACHMENT TA850  
(537353501, 537353502)

**B** TA850  
BEVEL GEAR

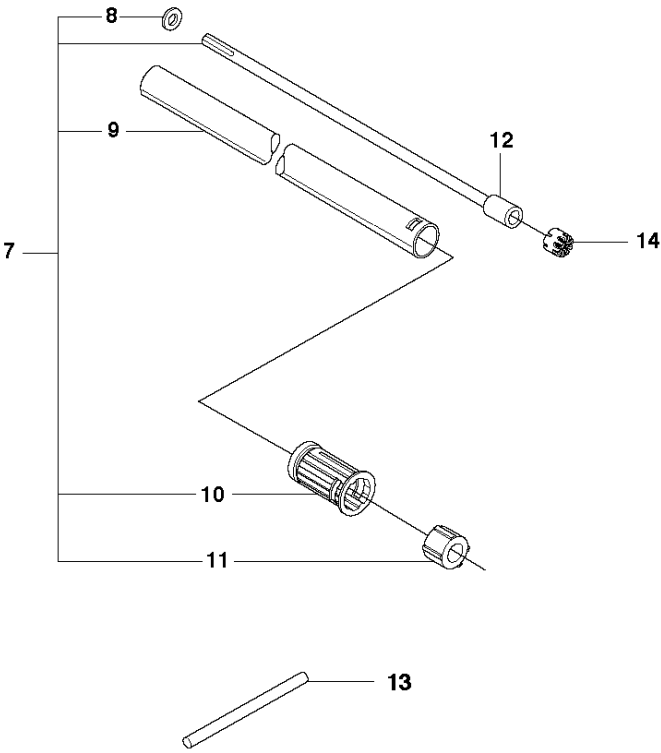
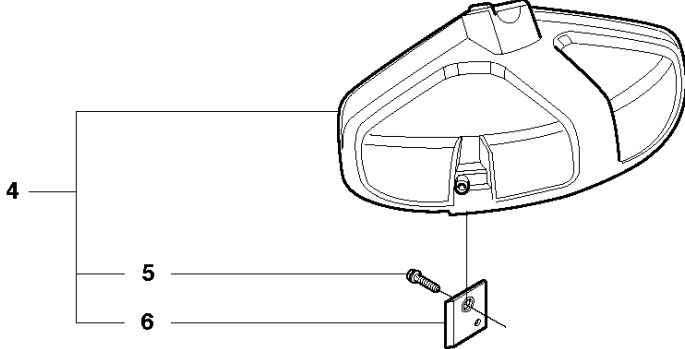
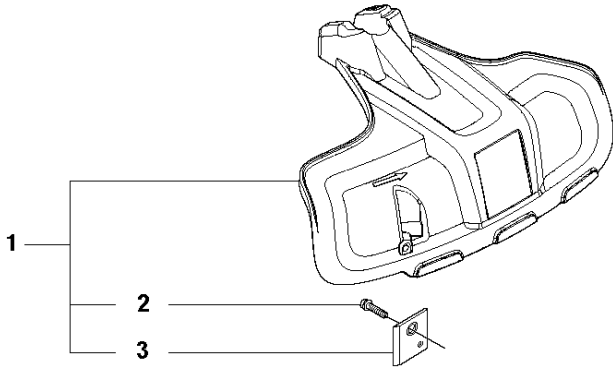


## BEVEL GEAR

## TRIMMER ATTACHMENT TA850 (537353501, 537353502)

Ref	Part No	Description	Remark	QTY	KIT
1	537 19 92-02	BEVEL GEAR ASSY		1	
2	503 85 63-01	NUT		1	1
3	537 28 56-01	SUPPORT FLANGE		1	1
4	537 29 26-01	CUP		1	1
5	537 23 49-01	DRIVER ASSY		1	1
6	735 31 28-10	CIRCLIP		1	1
7	503 25 24-01	BALL BEARING		1	1
8	738 21 98-00	BALL BEARING		1	1
9	503 20 15-01	SCREW IHHM		1	1
10	503 20 14-12	SCREW IHSCFMO		1	1
11	503 20 07-25	SCREW IHSCFM		1	1
12	738 21 99-00	BALL BEARING		1	1
13	738 21 99-02	BALL BEARING		1	1
14	735 31 11-00	CIRCLIP		1	1
15	735 31 25-10	CIRCLIP		1	1
16	725 23 70-51	SCREW		1	18
17	503 20 07-12	SCREW IHSCFM		1	18
18	574 30 69-01	CLAMP	Captive screws	1	
20	537 33 37-01	GEAR HOUSING		1	1

**A** TA850  
ATTACHMENTS



## ATTACHMENTS

## TRIMMER ATTACHMENT TA850 (537353501, 537353502)

Ref	Part No	Description	Remark	QTY	KIT
1	588 54 37-01	TRIMMER GUARD ASSY	For 537 35 35-01	1	
2	503 21 07-16	SCREW IH SCT		1	1
3	503 79 88-01	BLADE		1	1
4	503 93 42-01	SPLASH GUARD	For 537 35 35-02	1	
5	503 21 07-16	SCREW IH SCT		1	4
6	503 79 88-01	BLADE		1	4
7	587 98 81-01	TUBE ASSY		1	
8	735 58 08-10	LOCKWASHER		1	7
9	537 08 27-01	TUBE		1	7
10	587 41 46-01	PLUG		1	7
11	503 78 52-02	SUPPORTING BEARING		1	7
12	587 41 17-01	DRIVE SHAFT		1	7
13	502 28 59-01	STOP		1	
14	583 93 83-01	CLIP		1	

# Illustrated Parts List - IPL Update



Product Name(s)

**TA850 (Husqvarna)**

Description of change

New trimmer guard with improved design.

Comments

Backward compatible.

Introduced from

<b>Serial number / Date</b>	<b>Remark</b>
2016-10	

IPL updates

<b>Page title</b>	<b>Ref. no</b>	<b>New part no</b>	<b>Name</b>	<b>Excl. part no.</b>	<b>Remark</b>
Attachments	1	588 54 37-01	Trimmer guard assy	503 97 71-01	