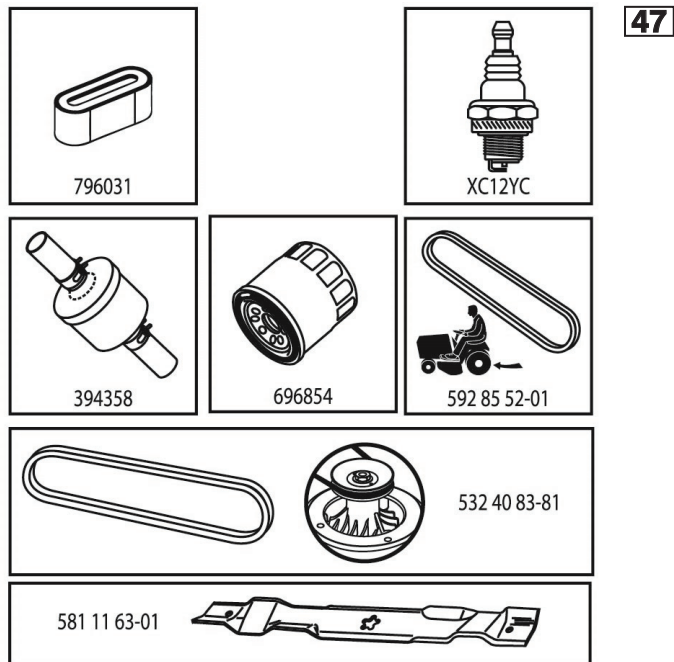


ILLUSTRATED PARTS LIST

MODEL NO. 96041041700

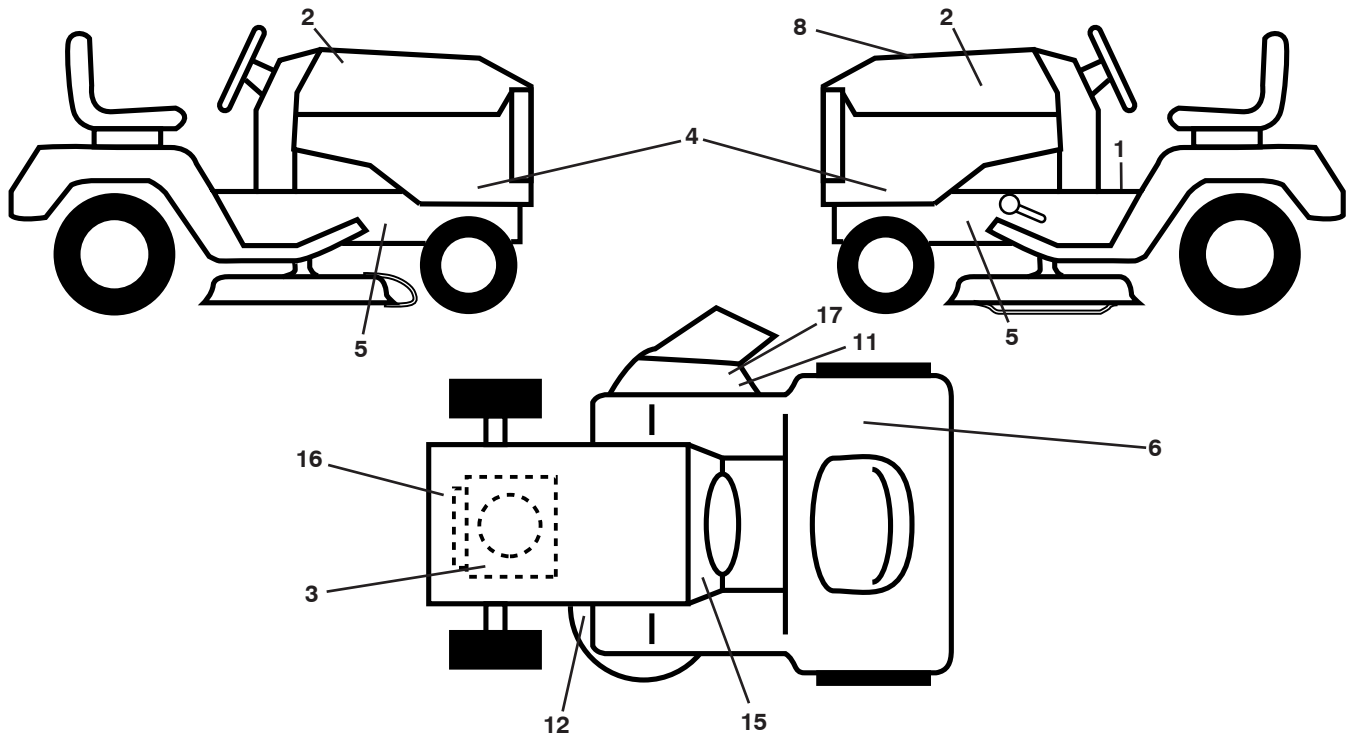
CUSTOMER CATALOG NO. TS 138

PRODUCT NO. 960 41 04-17



593884101

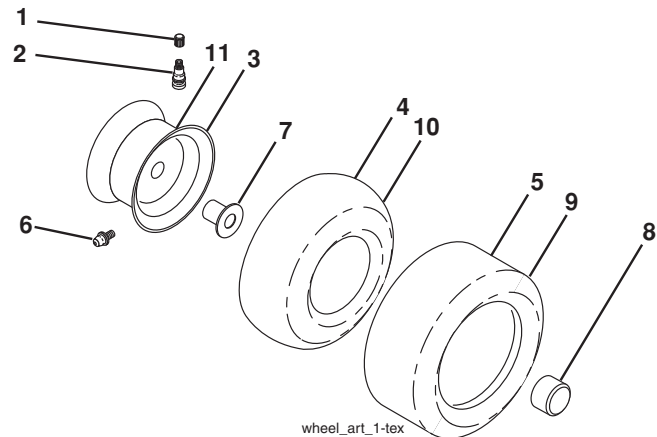
**TRACTOR - - MODEL NO. TS 138 (96041041700), PRODUCT NO. 960 41 04-17
DECALS 27**



KEY PART NO.	PART NO.	DESCRIPTION
1	586 35 06-01	Decal, Operators
2	501 13 14-01	Decal, Husq
3	581 57 97-01	Decal, Warning Eng. Symbols
4	587 40 73-01	Decal, Hood Panel
5	581 57 96-01	Decal, Chassis Hot Muffler
6	501 08 26-01	Decal, ECM Australia
8	593 88 41-01	Decal, Rpl.
11	581 57 92-01	Decal, Warning
12	581 58 00-03	Decal, Mower V-Belt Schematic

KEY PART NO.	PART NO.	DESCRIPTION
15	586 06 62-01	Decal, Snowflake
16	587 73 12-01	Decal, Eng. BS
17	584 90 46-01	Decal, Deflect. Warning
--	581 72 48-01	Decal, Bypass
--	581 72 46-01	Decal, Drawbar Load Limit
--	532 43 96-81	Pad, Footrest, LH
--	532 43 96-82	Pad, Footrest, RH
--	115 98 29-28	Manual Oper. English

WHEELS AND TIRES



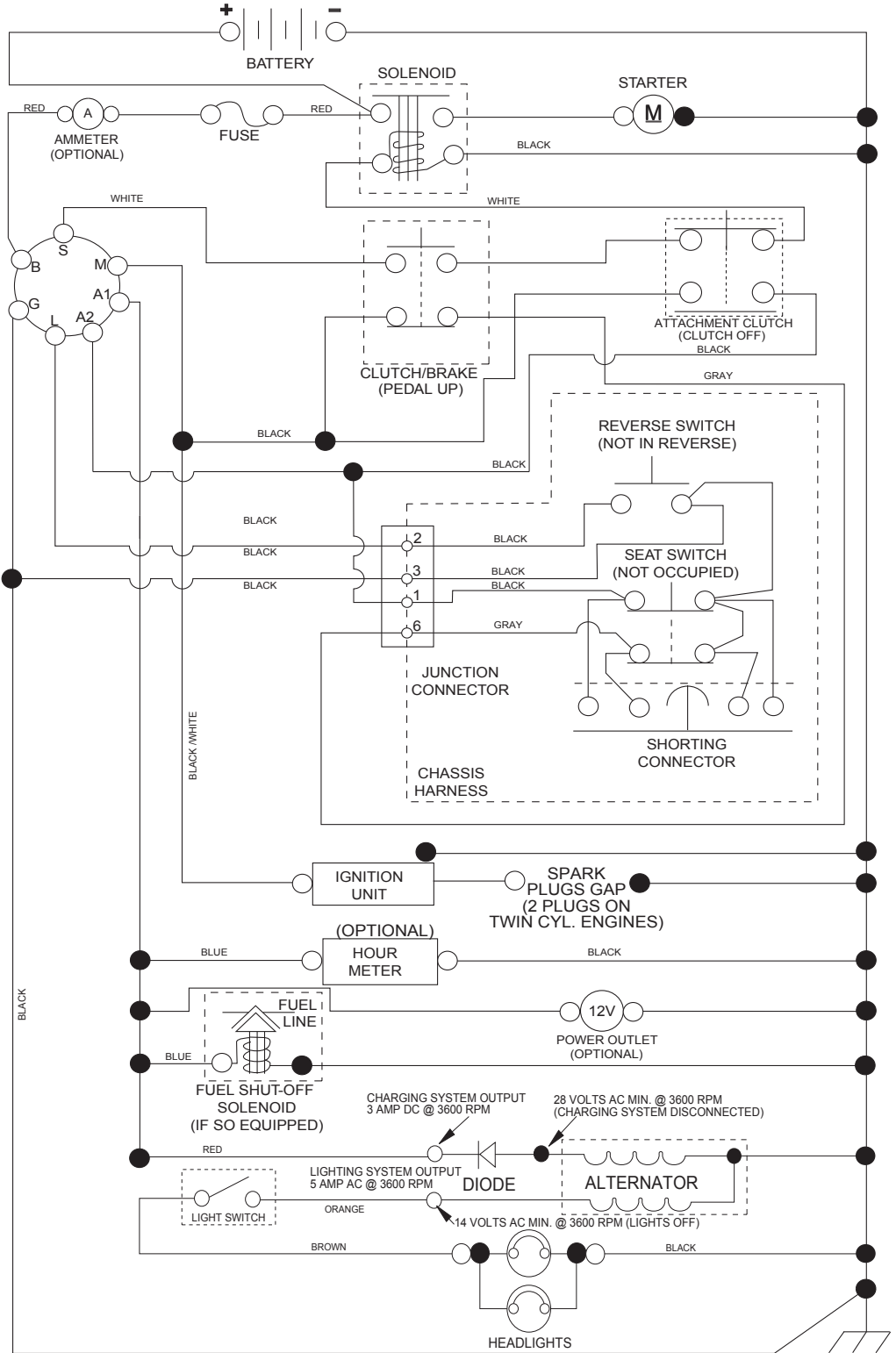
KEY PART NO.	PART NO.	DESCRIPTION
1	532 05 91-92	Cap Valve Tire
2	532 06 51-39	Stem Valve
3	532 13 83-36	Rim Asm. 6" Front
4	532 05 99-04	Tube Front (Service Item Only)
5	532 10 62-22	Tire Front 15 x 6-6
6	532 00 02-78	Fitting Grease (Front Wheel Only)
7	532 00 90-40	Bearing, Flange
8	532 17 50-39	Cap Axle Blk. 1 50 x 1 00
9	532 42 05-31	Tire Rear 18 x 9.5-8
10	532 00 71-52	Tube Rear (Service Item Only)
11	532 13 83-37	Rim Asm. 8" Rear
--	532 14 43-34	Sealant, Tire (10 oz. Tube)

NOTE: All component dimensions given in U.S. inches.
1 inch = 25.4 mm

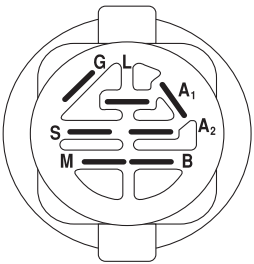
TRACTOR - - MODEL NO. TS 138 (96041041700), PRODUCT NO. 960 41 04-17

SCHEMATIC 38

SCH11

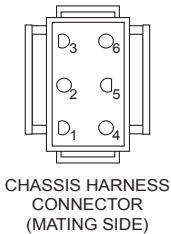


NOTE
 YOUR TRACTOR IS EQUIPPED WITH A SPECIAL ALTERNATOR SYSTEM. THE LIGHTS ARE NOT CONNECTED TO THE BATTERY, BUT HAVE THEIR OWN ELECTRICAL SOURCE. BECAUSE OF THIS, THE BRIGHTNESS OF THE LIGHTS WILL CHANGE WITH ENGINE SPEED. AT IDLE THE LIGHTS WILL DIM. AS THE ENGINE IS SPEEDED UP, THE LIGHTS WILL BECOME THEIR BRIGHTEST.

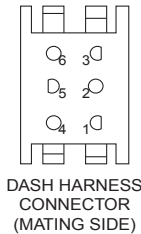


IGNITION SWITCH

POSITION	CIRCUIT	"MAKE"
OFF	M+G+A1	
RUN/OVERRIDE	B+A1	
RUN	B+A1	L+A2
START	B + S + A1	

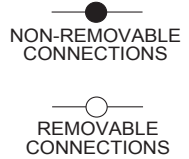


CHASSIS HARNESS CONNECTOR (MATING SIDE)

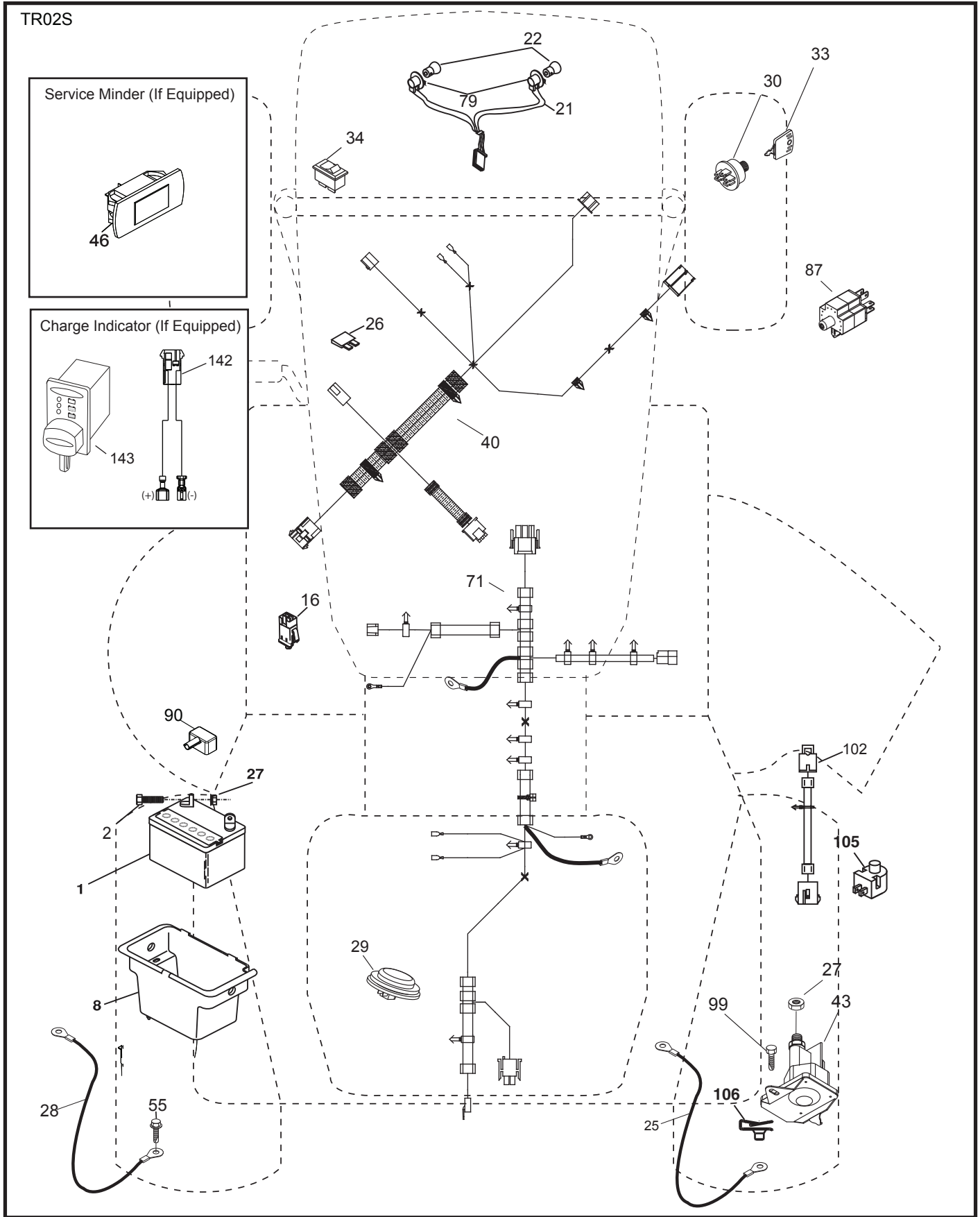


DASH HARNESS CONNECTOR (MATING SIDE)

WIRING INSULATED CLIPS
 NOTE: IF WIRING INSULATED CLIPS WERE REMOVED FOR SERVICING OF UNIT, THEY SHOULD BE RE-INSTALLED TO PROPERLY SECURE YOUR WIRING.



TRACTOR - - MODEL NO. TS 138 (96041041700), PRODUCT NO. 960 41 04-17
ELECTRICAL 32

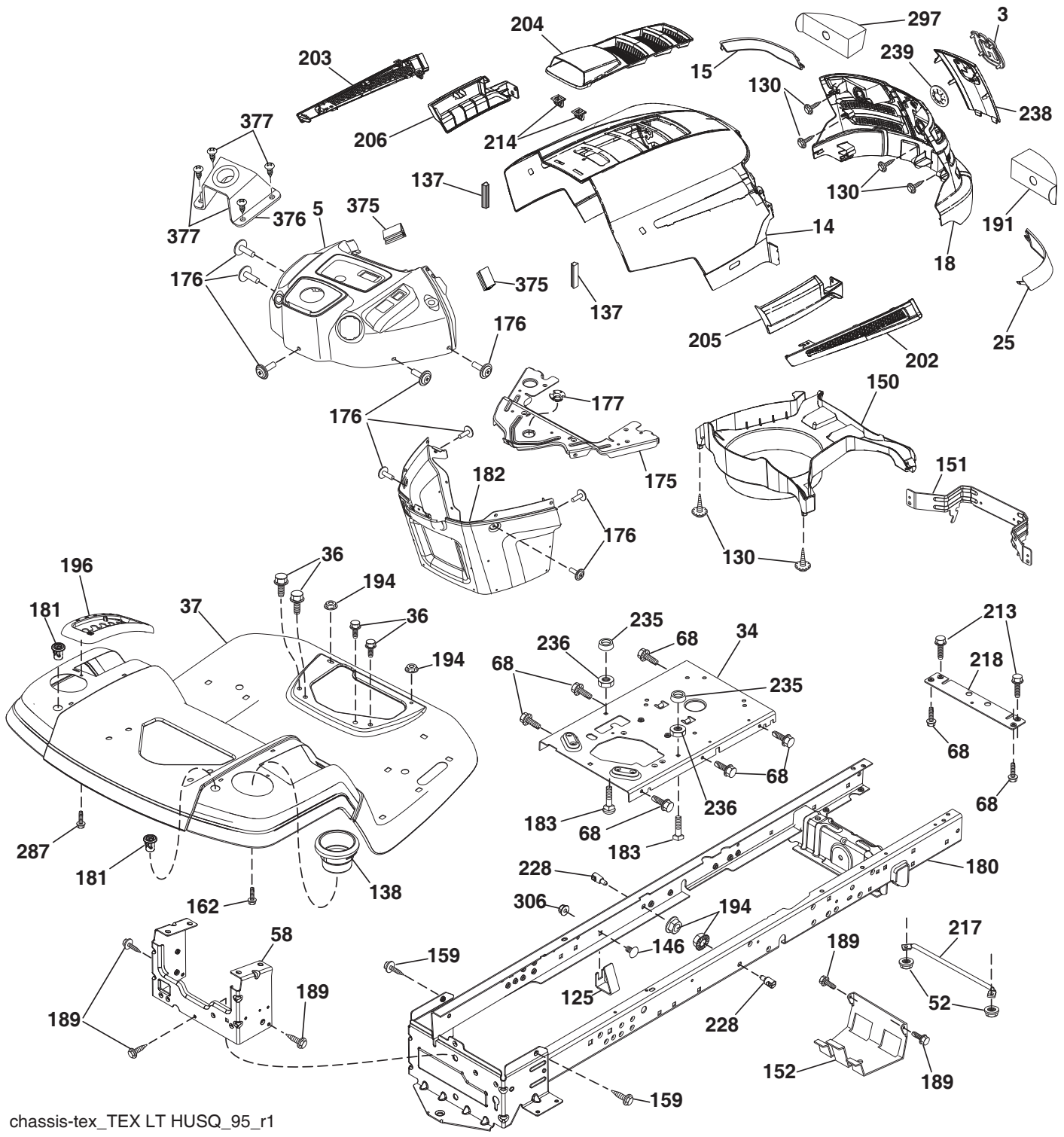


**TRACTOR - - MODEL NO. TS 138 (96041041700), PRODUCT NO. 960 41 04-17
ELECTRICAL 32**

KEY NO.	PART NO.	DESCRIPTION
1	532 16 34-65	Battery
2	874 76 04-12	Bolt Hex Head 1/4-20 x 3/4
8	532 19 32-28	Box Battery
16	532 17 61-38	Switch Interlock Push-In
21	532 40 02-52	Harness Socket Light w/4152J
22	532 00 41-52	Bulb Light
25	581 49 80-01	Cable Starter
26	532 17 51-58	Fuse
27	596 13 36-01	Locknut, Keps. 1/4-20
28	532 42 16-86	Cable, Ground
29	532 40 15-45	Switch, Seat
30	532 19 33-50	Switch, Ign.
33	532 41 19-35	Key/Chain
34	532 11 07-12	Switch Light/Reset
40	581 02 31-01	Harness Ign. Dash
43	582 04 28-02	Solenoid, W/Brass, Plunger, ZN
46	594 91 91-01	Hourmeter, Srvminder, Rect
55	817 06 05-12	Screw Thdrol. 5/16-18 x 3/4 TYTT
71	501 13 37-01	Harness Chassis
79	532 17 52-42	Socket Asm. Bulb Twistlock
87	532 19 78-02	Switch Interlock Clutch Cable
90	532 43 53-95	Cover Terminal
99	817 67 04-12	Screw 1/4-20 x 3/4
102	532 40 44-54	Harness Pigtail
105	532 40 75-68	Switch Reverse
106	532 17 48-14	Palnut 1/4 Lugs

NOTE: All component dimensions given in U.S. inches.
1 inch = 25.4 mm

TRACTOR - - MODEL NO. TS 138 (96041041700), PRODUCT NO. 960 41 04-17
CHASSIS AND ENCLOSURES **39**



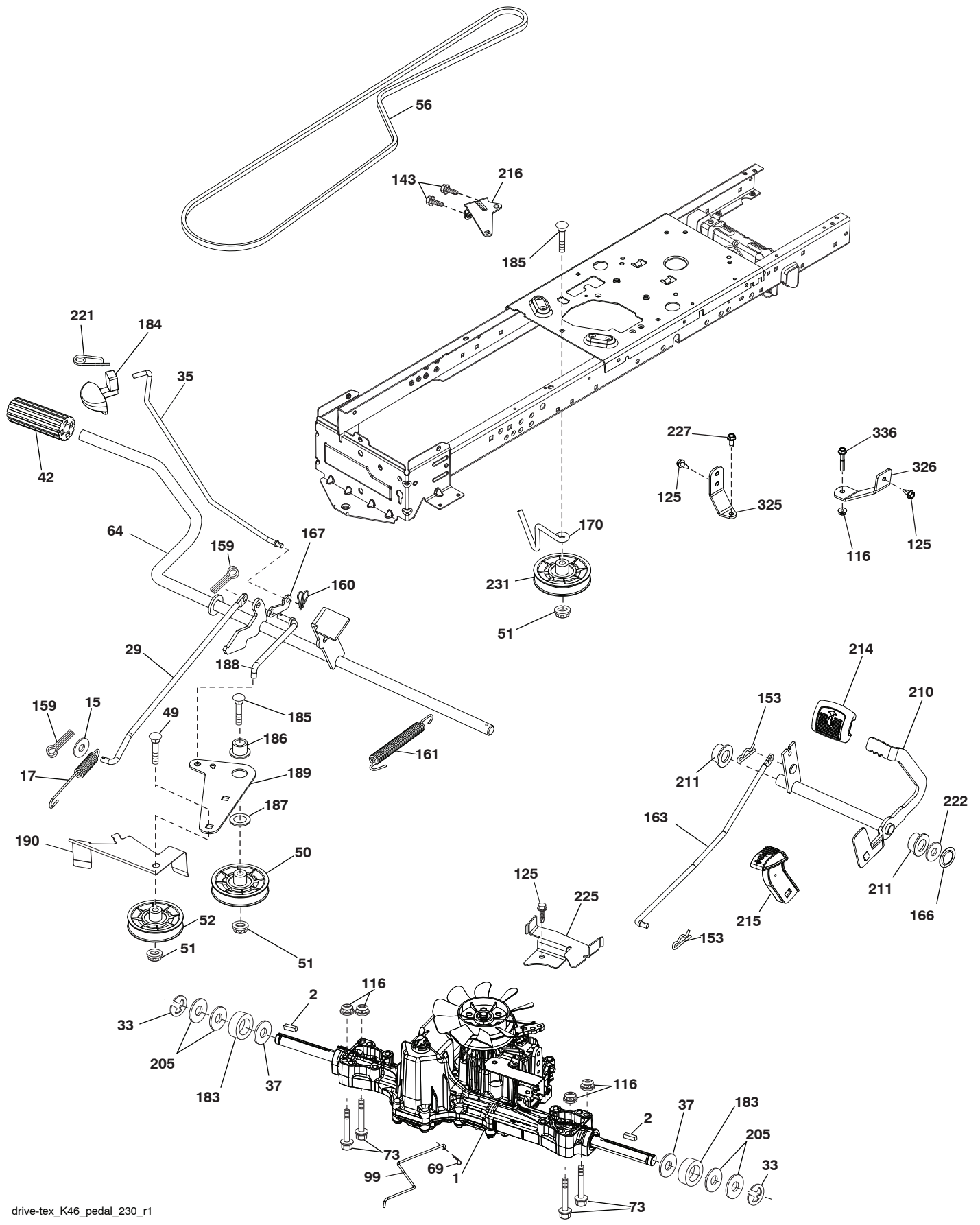
chassis-tex_TEX LT HUSQ_95_r1

**TRACTOR - - MODEL NO. TS 138 (96041041700), PRODUCT NO. 960 41 04-17
CHASSIS AND ENCLOSURES 39**

KEY NO.	PART NO.	DESCRIPTION	KEY NO.	PART NO.	DESCRIPTION
3	581 05 63-01	Logo	189	817 00 05-12	Screw 5/16-18 x 3/4
5	585 52 98-05	Dash, Upper	191	532 41 65-01	Insert Reflective RH
14	532 44 12-67	Hood	194	596 13 57-01	Nutlock, Prvl, Torq. 5/16-18 x .68
15	532 44 14-28	Lens LH	196	532 43 96-47	Console Asm. Deck Lift
18	532 44 13-68	Grille, SVC	202	532 44 13-42	Vent Side Hood RH
25	532 44 14-27	Lens RH	203	532 44 13-43	Vent Side Hood LH
34	580 91 08-01	Plate Engine	204	532 44 13-75	Vent Top Hood
36	817 06 05-12	Screw 5/16-18 x 3/4	205	532 44 13-44	Skirt Side RH
37	532 44 12-06	Fender	206	532 44 13-45	Skirt Side LH
52	596 04 05-01	Nutlock, Hex, Prvl, 5/16-18	213	596 03 05-01	Bolt, Hex. Hd. 5/16-18 unc x 3/4
58	532 41 22-80	Drawbar Upper	214	532 19 91-45	Clip Retainer
68	596 03 07-01	Screw, Hexagon, 5/16-18 x 1/2	217	532 40 91-67	Rod Pivot Hood
125	581 68 48-01	Clip Fuel Line	218	532 19 63-95	X-Piece Hood Stop
130	596 32 17-01	Screw, #10 x 0.750 BOS Thread	228	532 19 51-61	Stud Fastener
137	532 40 75-90	Bumper Dash	235	596 56 42-01	Spacer, Fender, Clr. Zn
138	532 43 97-47	Cupholder	236	873 93 05-00	Nut Lock 5/16-18 unc
146	581 85 79-01	Bolt RDHD SHT SQNK 3/8-16 x 5/8	238	532 44 13-74	Trim
150	532 40 66-62	Air Duct	239	532 40 48-83	Clip Tinnerman
151	532 40 78-07	Bracket Pivot	287	817 60 04-06	Screw Hex WASHEAD 1/4-20 x 3/8
152	532 19 95-35	Shield Browning	297	532 40 66-65	Insert Reflective LH
159	817 00 06-12	Screw 3/8 - 16 x 3/4	306	873 90 06-00	Nut Lock Flg 3/8-16 unc
162	596 13 41-01	Screw, Hex, Tap, 1/4-15 x 1/2	375	586 90 82-01	Dash Clip-On Bumper
175	532 19 94-72	Crossmember	376	589 45 87-01	Mount Asm Huslt. Upper Strng
176	532 40 07-76	Screw 10-24 x 5/8	377	589 45 53-01	Screw 10 x 1/2, Zn Pl Phil, Ab
177	532 19 52-28	Bushing Steering	--	597 33 48-01	Bumper
180	532 41 50-63	Chassis			
181	532 43 97-46	Bushing Mtg. Fender Cargo			
182	532 40 71-76	Dash Lower			
183	595 30 57-01	Screw, Hexagon, 5/16-18 x 1-1/4			

NOTE: All component dimensions given in U.S. inches.
1 inch = 25.4 mm

TRACTOR - - MODEL NO. TS 138 (96041041700), PRODUCT NO. 960 41 04-17
 DRIVE **40**



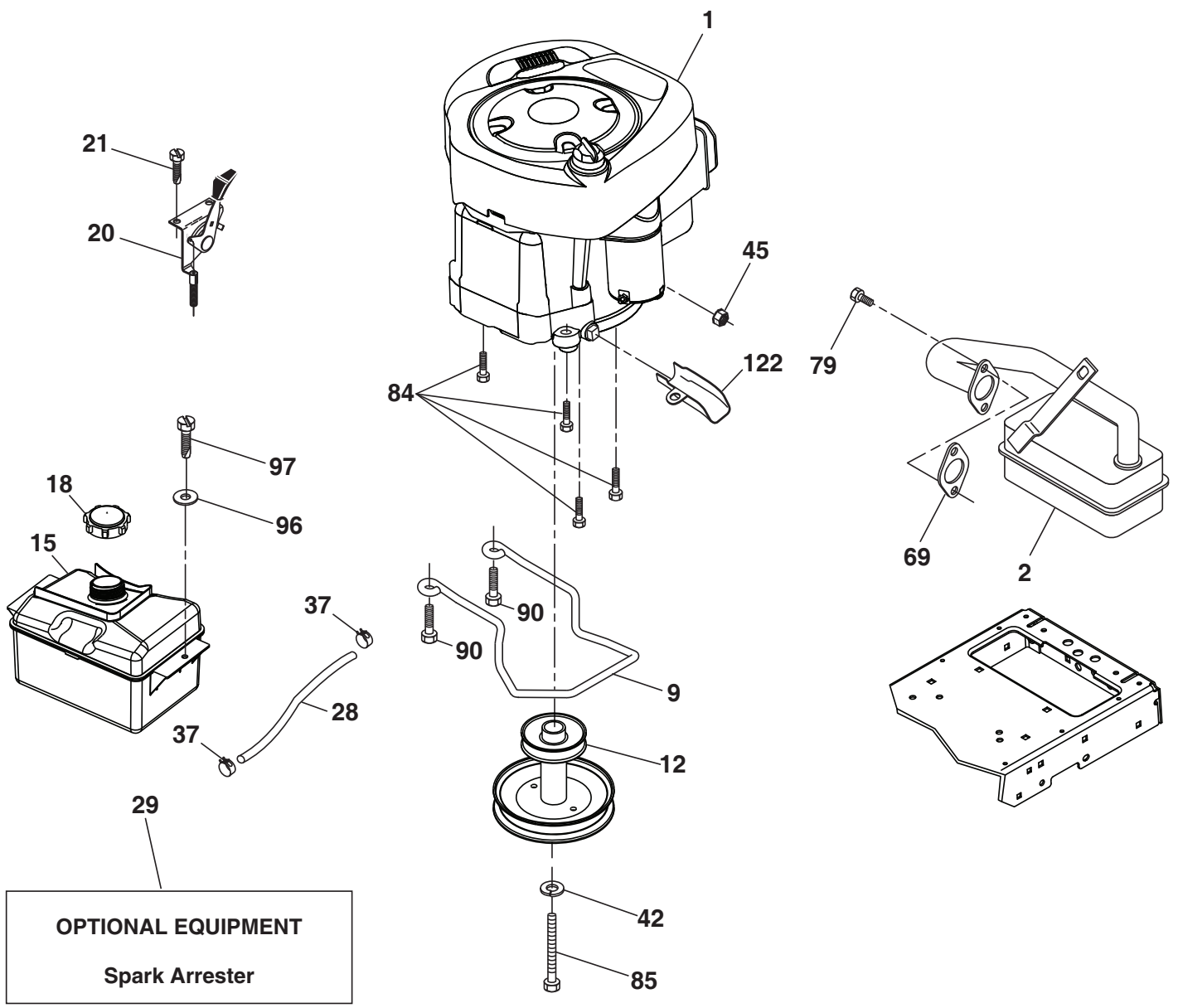
drive-tex_K46_pedal_230_r1

**TRACTOR - - MODEL NO. TS 138 (96041041700), PRODUCT NO. 960 41 04-17
DRIVE **40****

KEY NO.	PART NO.	DESCRIPTION	KEY NO.	PART NO.	DESCRIPTION
1	---	Transaxle, Tuff Torq K46BT (426120)(Order parts from transaxle manufacturer.)	170	532 41 34-30	Keeper Belt Centerspan
2	532 12 35-83	Key	183	532 13 70-57	Spacer Axle
15	819 13 13-16	Washer 13/32 x 13/16 x 16 Ga.	184	532 41 14-84	Handle Parking Brake
17	532 41 36-78	Spring, Brake	185	872 11 06-22	Bolt RDHD SQNK 3/8-16 unc x 2
29	532 40 38-06	Rod, Brake	186	532 19 43-21	Spacer Retainer
33	812 00 00-01	Ring E	187	596 13 55-01	Washer, 13/32 x 2 Clear, Zinc
35	596 87 48-01	Rod, Control, Park, Txlt, Clr, Zinc	188	582 21 70-01	Link Clutch Ground Drive, Long
37	532 18 89-67	Washer Harden	189	532 19 43-17	Bellcrank Ground Drive
42	532 00 88-83	Cover, Pedal, Blk. Round	190	532 19 43-18	Keeper Bellcrank Ground Drive
49	596 13 62-01	Bolt, Cup Head, 3/8-16 x 3/4	205	532 12 17-48	Washer
50	532 19 43-27	Pulley Idler Flat	210	532 40 09-80	Rocker Asm Pedal Control
51	873 90 06-00	Lock Nut 3/8-16	211	532 12 01-83	Bushing Shaft
52	532 19 43-26	Idler V-Groove	214	532 42 12-63	Pedal Forward Pad Tex
56	592 85 52-01	Belt, Drive, Tex. K46	215	586 60 65-02	Pedal Reverse
64	532 19 78-65	Shaft Asm. Pedal Brake Control	216	532 19 61-31	Bracket Pulley Idler
69	532 42 33-03	Hairpin Soft Zink .059 x 1.125	221	532 40 31-87	Retainer Spring Clip Handle
73	596 13 65-01	Bolt, Hex. Head, 5/16-18 x 1-1/2	222	879 21 20-10	Washer 21/32 x 1-1/4
99	582 40 45-01	Rod Bypass	225	532 40 33-19	Keeper Belt Transaxle
116	596 13 57-01	Nutlock, Prvl, Torq, 5/16-18 x .68	227	596 13 59-01	Bolt, Hex. 5/16-18 x 3/4 Clr. Znc.
125	817 00 05-12	Screw 5/16-18 x 3/4	231	532 40 72-87	Idler V-Groove
143	596 03 07-01	Screw, Hexagon, 5/16-18 x 1/2	325	586 43 12-02	Bracket Torque Strap LH
153	532 00 44-97	Retainer, Spring, 1" Zinc/CAD	326	586 00 11-02	Bracket Torque Strap RH
159	596 02 95-01	Pin, Cotter, 1/8 Dia. X 3/4	336	587 25 96-02	Bolt, 5/16 x 1-3/4 Flanged
160	596 02 94-01	Clip, Retainer, "M-Shape"			
161	532 10 57-09	Spring, Return, Clutch			
163	593 86 10-01	Rod, Control, K46/K57R			
166	532 42 91-64	Nut Push			
167	532 40 52-57	Latch Brake Parking			

NOTE: All component dimensions given in U.S. inches
1 inch = 25.4 mm

TRACTOR - - MODEL NO. TS 138 (96041041700), PRODUCT NO. 960 41 04-17
ENGINE 24



engine-tex_BS_111

**TRACTOR - - MODEL NO. TS 138 (96041041700), PRODUCT NO. 960 41 04-17
ENGINE 24**

KEY NO.	PART NO.	DESCRIPTION
1	- - - - -	Engine Briggs Model No. 31R977-0046-G1 (588640801) (Order parts from engine manufacturer.)
2	532 13 73-52	Muffler
9	501 83 26-02	Keeper Belt Engine
12	586 47 85-01	Pulley Engine
15	581 28 99-01	Tank Fuel
18	532 43 02-20	Cap Asm
20	587 24 26-01	Control Throttle
21	596 32 17-01	Screw, #10 x 0.750 BOS Thread
28	532 13 70-40	Fuel Line
29	532 13 71-80	Spark Arrester Kit
37	532 12 34-87	Clamp Hose
42	596 23 89-01	Washer, 7/16 in. Clr. Zn
45	596 13 36-01	Locknut, Keps. 1/4-20
69	532 16 52-91	Gasket
79	596 13 42-01	Screw, Hex. Socket, 5/16-18 x 3/4
84	817 06 06-20	Screw 3/8-16 x 1/4
85	501 60 65-01	Bolt Hex 7/16-20 x Gr. 5-1.5
90	817 00 06-16	Screw 3/8-16 x 1
96	596 13 53-01	Washer, Plain, 9/32 x 7/8 Clr. Zn
97	817 67 04-12	Screw 1/4-20 x 3/4
122	532 42 19-22	Extension Drain Oil

NOTE: All component dimensions given in U.S. inches.
1 inch = 25.4 mm

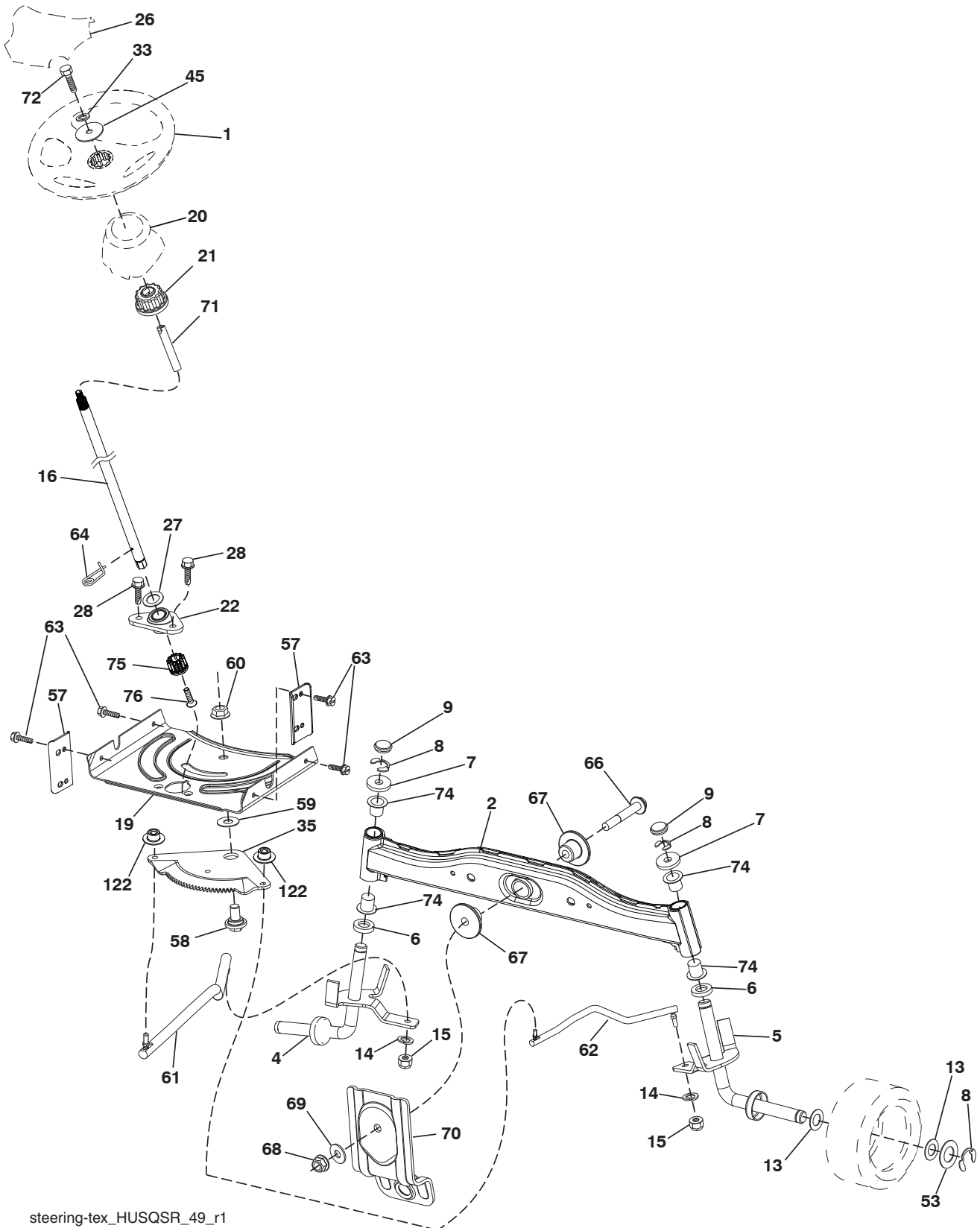
For engine service and replacement parts, call the toll free
number for your engine manufacturer listed below:

Briggs & Stratton 1-800-233-3723

Engine Power Rating Information

The gross power rating for individual gas engine models is labeled in accordance with SAE (Society of Automotive Engineers) code J1940 (Small Engine Power & Torque Rating Procedure), and rating performance has been obtained and corrected in accordance with SAE J1995 (Revision 2002-05). Torque values are derived at 3060 RPM; horsepower values are derived at 3600 RPM. Actual gross engine power will be lower and is affected by, among other things, ambient operating conditions and engine-to-engine variability. Given both the wide array of products on which engines are placed and the variety of environmental issues applicable to operating the equipment, the gas engine will not develop the rated gross power when used in a given piece of power equipment (actual "on-site" or net power). This difference is due to a variety of factors including, but not limited to, accessories (air cleaner, exhaust, charging, cooling, carburetor, fuel pump, etc.), application limitations, ambient operating conditions (temperature, humidity, altitude), and engine-to-engine variability. Due to manufacturing and capacity limitations, Briggs & Stratton may substitute an engine of higher rated power for this Series engine.

TRACTOR - - MODEL NO. TS 138 (96041041700), PRODUCT NO. 960 41 04-17
STEERING ASSEMBLY 41



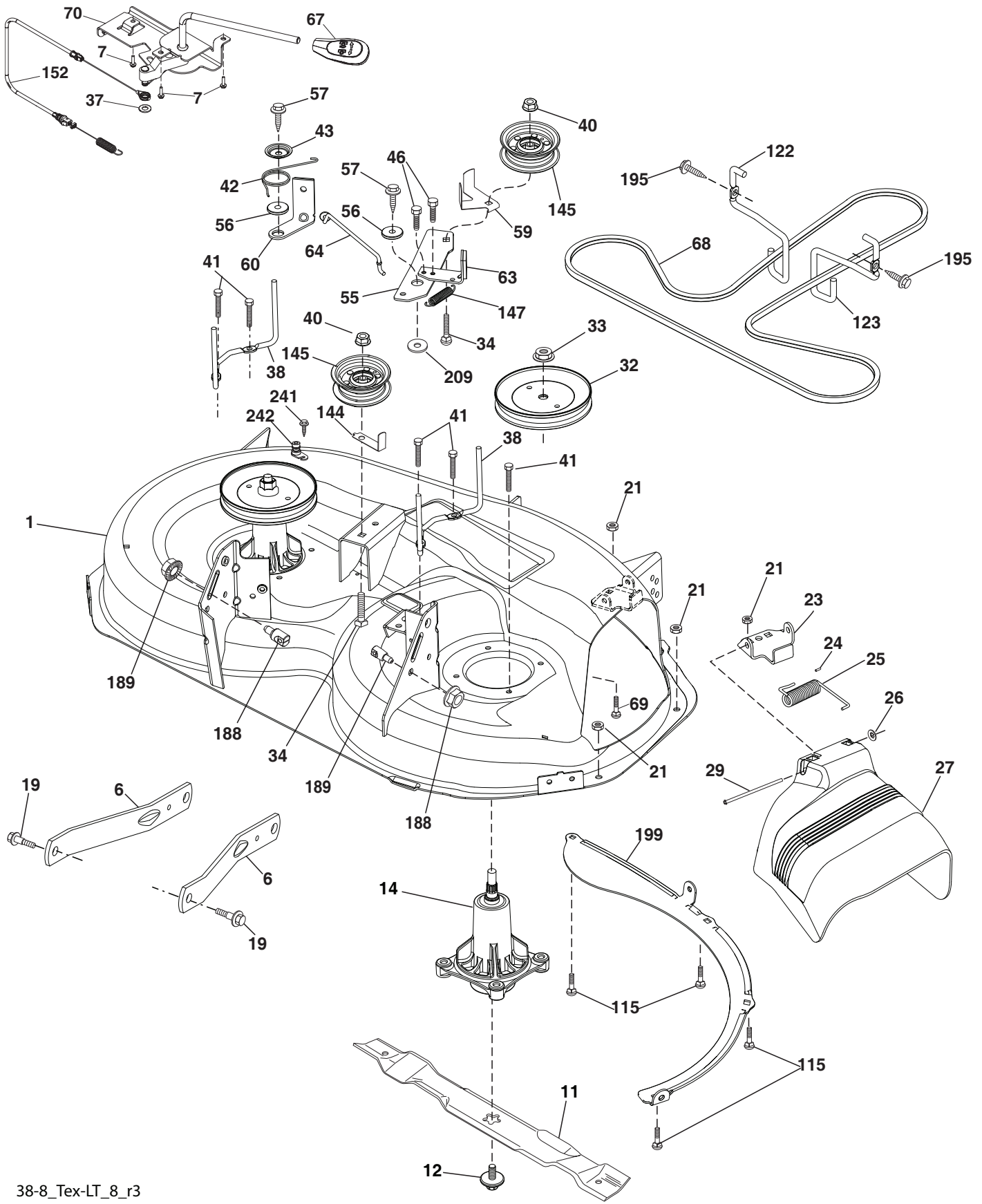
steering-tex_HUSQSR_49_r1

**TRACTOR - - MODEL NO. TS 138 (96041041700), PRODUCT NO. 960 41 04-17
STEERING ASSEMBLY 41**

KEY NO.	PART NO.	DESCRIPTION
1	532 43 99-97	Wheel, Steering Husq SR
2	532 41 81-68	Axle Asm., Front
4	532 40 30-87	Spindle Asm., LH
5	532 40 30-88	Spindle Asm., RH
6	532 00 62-66	Washer, Thrust, .75 x 1.230
7	532 12 17-48	Washer 25/32 x 1-5/8 x 16 Ga.
8	812 00 00-29	Ring, Clip #T5304-75
9	532 12 12-32	Cap, Spindle
13	532 12 17-49	Washer 25/32 x 1-1/4 x 16 Ga.
14	596 23 87-01	Washer, Spring, Lock, .381 ID x .680
15	873 54 06-00	Nut, Crown Lock 3/8-24 unf
16	585 86 92-02	Steering Shaft
19	532 19 47-29	Plate Steering
20	532 44 14-25	Boot, Steering
21	532 18 67-37	Adapter, Wheel Steering
22	585 02 98-02	Bearing
26	532 43 97-43	Insert, Wheel Steering Husq SR
27	596 93 34-01	Washer, Plain
28	817 00 06-12	Screw 3/8-16 x 3/4
33	539 99 01-87	Washer Lock 5/16
35	532 19 47-32	Gear, Sector Plate
45	596 04 00-01	Washer, 11/32 x 2-3/8 Clr. Zn
53	532 18 89-67	Washer Hardened .793 x 1.637 x .060
57	532 40 74-65	Bracket Upstop
58	532 19 47-47	Bolt Shoulder Sector Pivot CFM
59	532 19 47-48	Washer Thrust Sector Steering
60	873 97 10-00	Nut Flange Lock 5/8-11
61	532 19 47-40	Draglink, LH
62	532 19 47-41	Draglink, RH
63	817 00 05-12	Screw 5/16-18 x 3/4
64	532 19 98-49	Retainer Clip Spring Steering
66	871 02 07-48	Bolt Hex Fghd. 7/16-14 x 3 Serr.
67	532 19 47-37	Bushing PM Front Axle
68	873 90 07-00	Nut Lock Flange 7/16-14 Gr. 5
69	532 19 91-62	Washer 1.5 x .505 x .118
70	585 33 88-01	Bracket Deck Susp. Front
71	532 19 07-52	Shaft Extension Steering
72	596 03 97-01	Bolt, Hex Head, 5/16-18 unc x 4" Gr. 5
74	532 00 33-66	Bearing, Col. Strg. Blk
75	580 68 37-01	Pinion
76	580 68 36-01	Screw Head Sock
122	532 44 49-62	Cap Gear Sector

NOTE: All component dimensions given in U.S. inches.
1 inch = 25.4 mm

TRACTOR - - MODEL NO. TS 138 (96041041700), PRODUCT NO. 960 41 04-17
MOWER DECK **44**



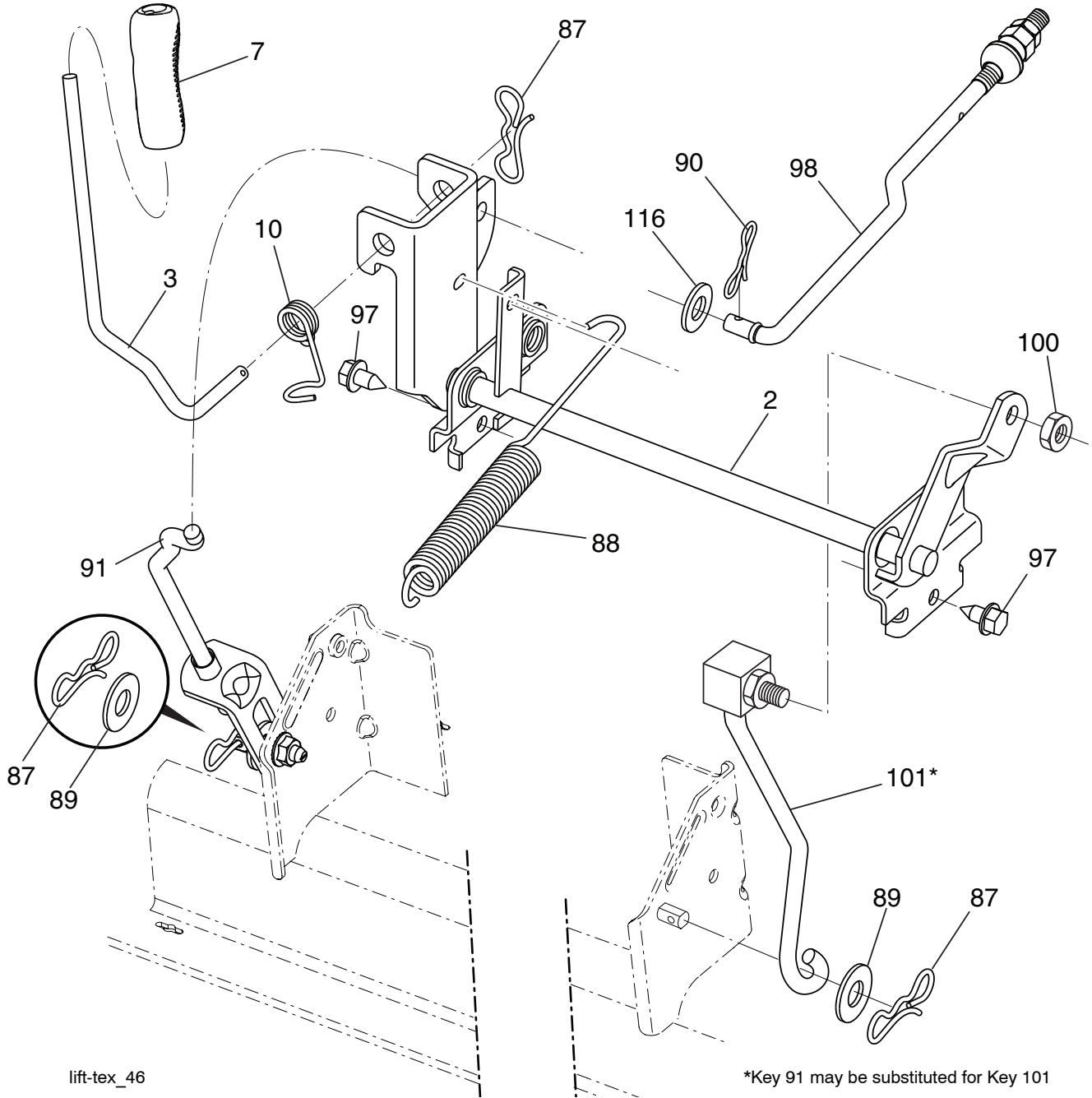
38-8_Tex-LT_8_r3

**TRACTOR - - MODEL NO. TS 138 (96041041700), PRODUCT NO. 960 41 04-17
MOWER DECK 44**

KEY PART NO. NO.	DESCRIPTION	KEY PART NO. NO.	DESCRIPTION
1 532 43 44-63	Kit, Svc. Weldment. 38. No_Gwl. 498	59 532 14 10-43	Guard, Tuv. Idler
6 532 19 51-86	Arm Suspension	60 532 19 94-71	Arm Brake Mower
7 596 32 17-01	Screw, #10 x 0.750 BOS Thread	63 532 19 94-70	Arm Brake Mower
11 581 11 63-01	Blade 38" Premium	64 532 19 97-90	Link Brake
12 584 30 93-01	Screw 7/16-20 x 1 Hx	67 532 40 30-12	Handle Clutch Cable
14 587 81 97-01	Kit, Mandrel, NonGrease, Tall (includes mandrel and bolts)	68 532 40 83-81	V-Belt
19 532 19 65-39	Bolt, Shoulder	69 596 13 64-01	Bolt, Cup Head, 5/16-16 x 5/8
21 596 04 05-01	Nutlock, Hex. Prvl. 5/16-18	70 532 40 12-46	Clutch Asm. Manual
23 532 19 25-57	Bracket, Deflector	115 872 11 05-05	Bolt Carr. 5/16-18 x 5 18 Short
24 532 10 53-04	Cap, Sleeve	122 532 19 72-58	Keeper Belt Engine LH
25 532 19 70-26	Spring, Torsion, Deflector	123 532 19 72-59	Keeper Belt Engine RH
26 532 11 04-52	Nut, Push	144 532 19 34-14	Keeper Belt
27 532 19 39-68	Shield, Deflector	145 532 19 31-97	Pulley, Idler, Flat
29 595 29 70-01	Rod, Hinge	147 532 40 18-72	Spring Return
32 532 19 97-89	Pulley, Mandrel	152 532 43 51-11	Manual Clutch Cable
33 596 13 48-01	Nut, Hex. 9/16-18 x 1.010	188 532 19 51-61	Stud Fastener
34 596 13 61-01	Bolt, Cup Head, 3/8-16 x 1-1/2	189 596 13 57-01	Nutlock, Prvl. Torq. 5/16-18 x .68
37 819 13 13-16	Washer	195 817 00 06-12	Screw 3/8-16 x 3/4
38 532 19 95-41	Keeper Belt LH Mandrel	199 532 40 00-95	Baffle Vortex
40 873 90 06-00	Nut, Lock Flg. 3/8-16 unc	209 596 13 55-01	Washer, 13/32 x 2 Clear, Zinc
41 584 95 39-01	Bolt Hex 313 - 18 x 1.19	241 532 15 29-27	Screw TT #10-32.5 3/8 Flange
42 532 19 84-10	Spring Torsion Brake	242 532 41 55-98	Port Washout
43 532 19 72-56	Spring Torsion Retainer	-- 532 43 44-67	Replacement Mower, Complete
46 532 13 77-29	Screw 1/4-20 x 5/8		
55 532 19 72-49	Arm, Idler		
56 532 19 90-92	Spacer, Retainer		
57 817 00 06-16	Screw 3/8-16 x 1		

NOTE: All component dimensions given in U.S. inches.
1 inch = 25.4 mm

TRACTOR - - MODEL NO. TS 138 (96041041700), PRODUCT NO. 960 41 04-17
MOWER LIFT 45

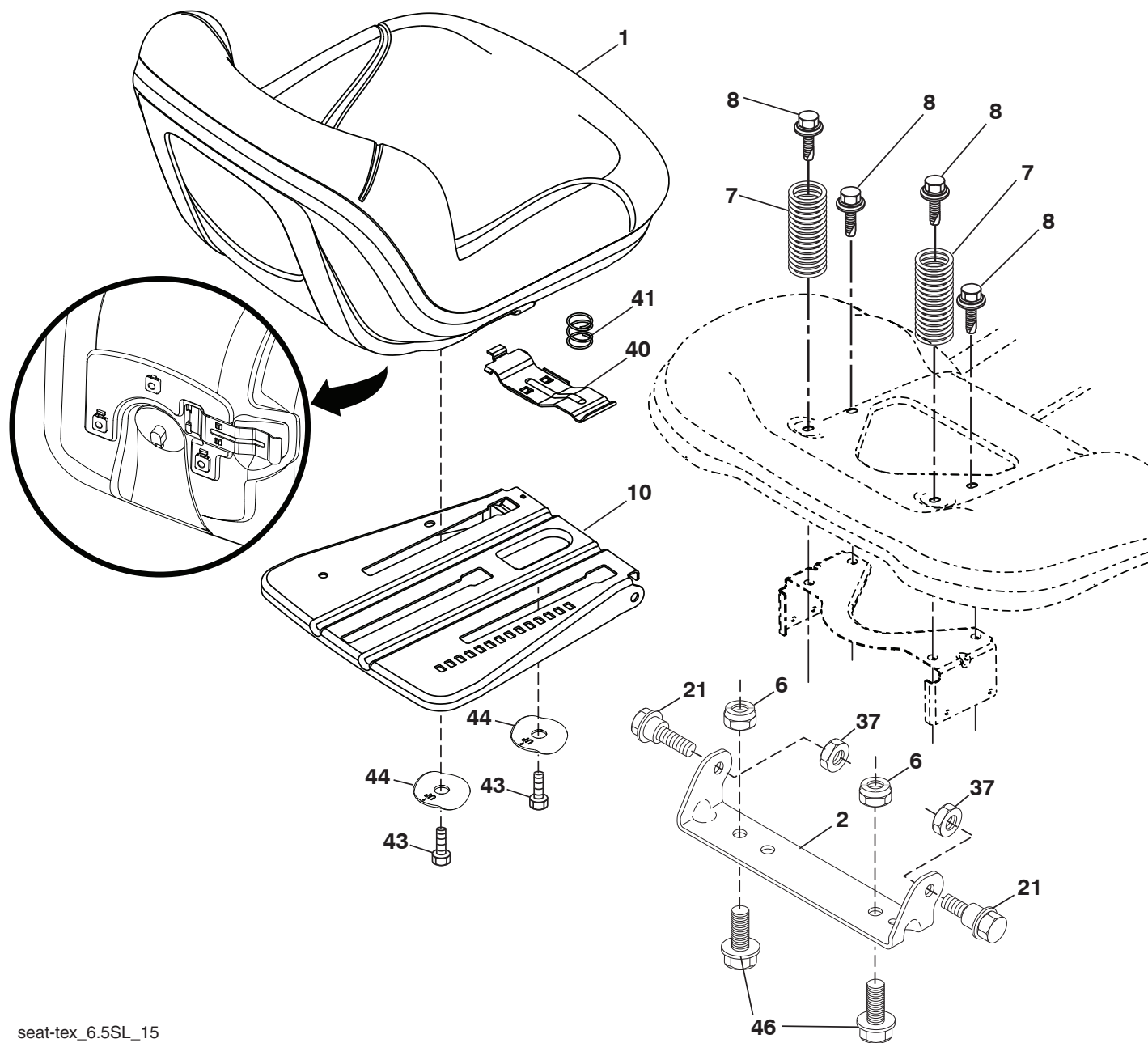


KEY NO.	PART NO.	DESCRIPTION
2	532 42 20-27	Shaft Asm., Lift
3	532 19 52-31	Lever Asm., Lift RH
7	580 96 23-01	Grip, Lever
10	532 19 63-14	Spring Torsion
87	532 19 42-09	Pin Cotter 7/16 Bow Tie Lock
88	532 41-07-10	Spring Lift Assist
89	819 19 19-12	Washer Clear Zinc
90	532 19 42-08	Pin Cotter 5/16 Bow Tie Lock
91	532 19 51-81	Link Lift Susp. Mower Rear

KEY NO.	PART NO.	DESCRIPTION
97	817 00 06-12	Screw 3/8-16 x .75 Smgml. Tap/R.Z
98	532 19 52-70	Link Lift Susp. Front Mower
100	595 30 59-01	Nut, Hex. Locknut, 3/8-16
101	532 40 70-03	Link Asm. Lift Fixed
116	819 15 15-16	Washer 15/32 X 15/16 X 16 Ga.

NOTE: All component dimensions given in U.S. inches.
 1 inch = 25.4 mm

**TRACTOR - - MODEL NO. TS 138 (96041041700), PRODUCT NO. 960 41 04-17
SEAT ASSEMBLY 42**



seat-tex_6.5SL_15

KEY NO.	PART NO.	DESCRIPTION
1	532 43 98-19	Seat
2	532 18 01-66	Bracket Pivot Fender
6	873 80 06-00	Nut, Lock w/Ins. 3/8-16 unc
7	589 48 35-01	Spring, Seat Cprsn.
8	532 17 18-77	Bolt 5/16-18 unc x 3/4 w/Sems.
10	596 65 74-02	Plate, Seat, Slide, 3 Pt. MS431
21	587 90 78-01	Bolt, Shoulder 5/16-18 x 5/8
37	596 58 37-02	Nut, W/Nonmetal, Ins. Blk. Zinc
40	595 08 81-02	Handle, Seat, Slide, E-Dip, x 431

KEY NO.	PART NO.	DESCRIPTION
41	532 19 82-00	Spring
43	874 76 06-12	Bolt 3/8-16 unc x 3/4
44	501 05 18-01	Washer Winged
46	588 09 04-01	Bolt 3/8-16 x 1, 1.25

NOTE: All component dimensions given in U.S. inches.
1 inch = 25.4 mm

