

Parts Manual

MZ 48 / 967 262801-00

Please read the operator manual carefully and make sure you understand the instructions before using the machine.

Gasoline containing a maximum of 10% ethanol (E10) is permitted for use in this machine. The use of gasoline with more than 10% ethanol (E10) will void the product warranty.

When you need spare parts or support in service questions, warranty issues, etc., please consult the following professional:

This manual belongs to the machine with the manufacturing number:	Engine	Transmission

Manufacturing Number

The machine's manufacturing number can be found on the printed plate affixed to the engine compartment.

Stated on the plate, from the top are:

- The machine's type designation (I.D.).
- The manufacturer's type number (Model).
- The machine's serial number (Serial no.)

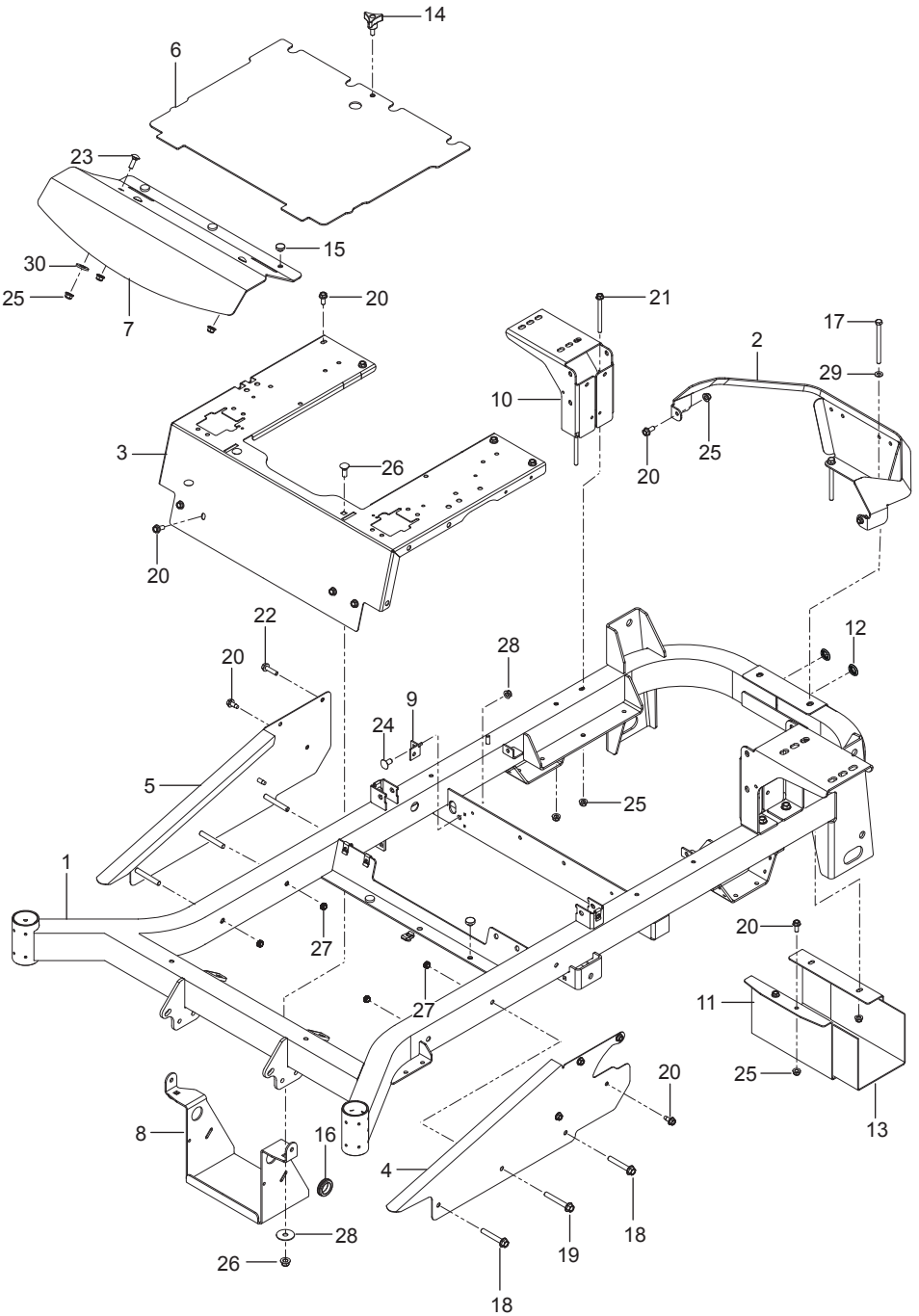
Please have the type designation and serial number available when ordering spare parts.

CONTENTS

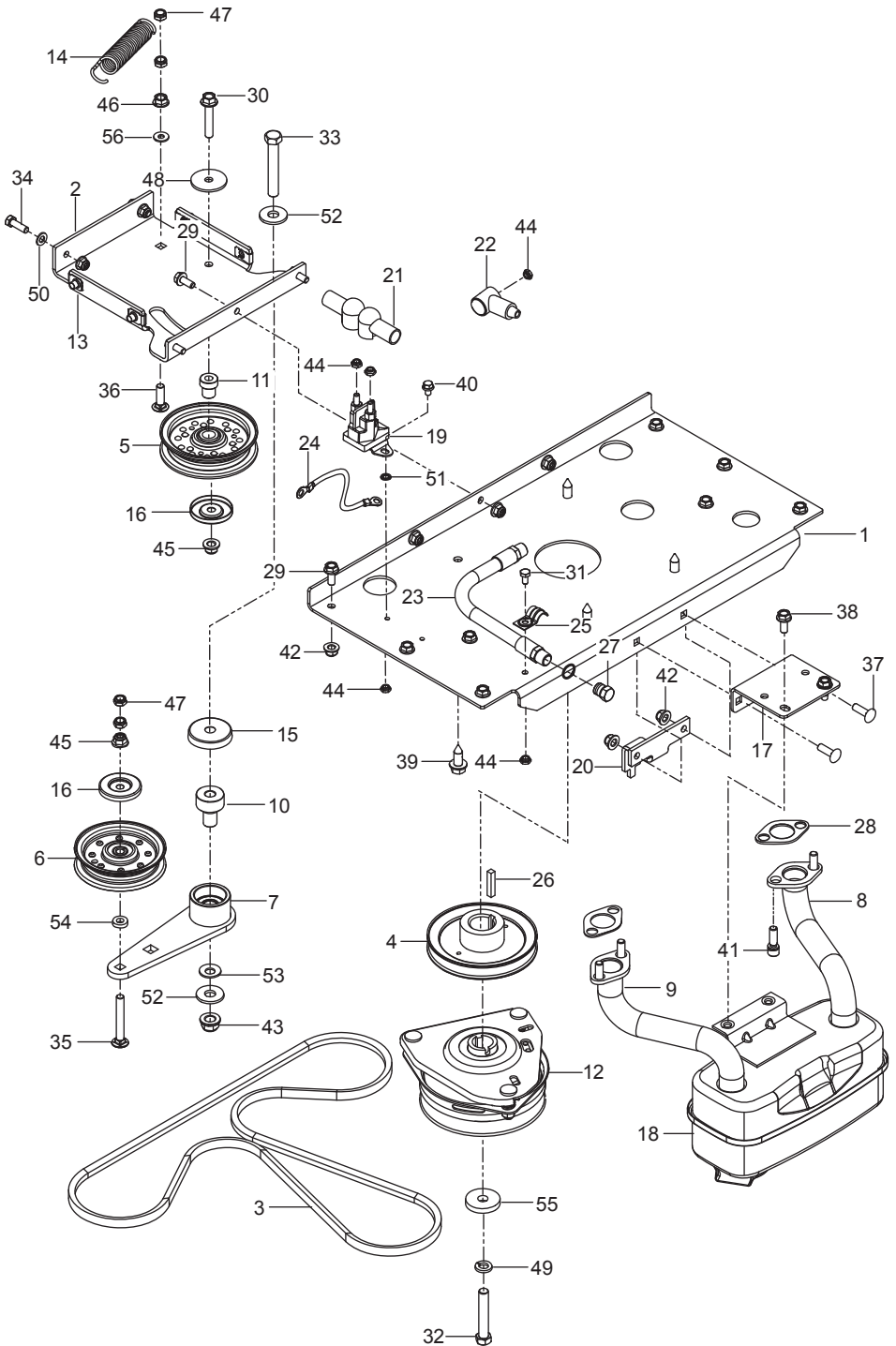
FRAME	4
ENGINE MOUNTING, GUARDS & MUFFLER	6
STEERING	8
IGNITION SYSTEM.....	10
PARKING BRAKE	12
HYDRAULIC PUMP-MOTOR.....	14
WHEELS & TIRES	16
MOWER LIFT / DECK LIFT.....	18
MOWER DECK / CUTTING DECK	20
SEAT	22
DECALS	24

Illustrations may or may not represent the actual assemblies and it is not recommended to use this manual as a guide to assemble or disassemble the mower.

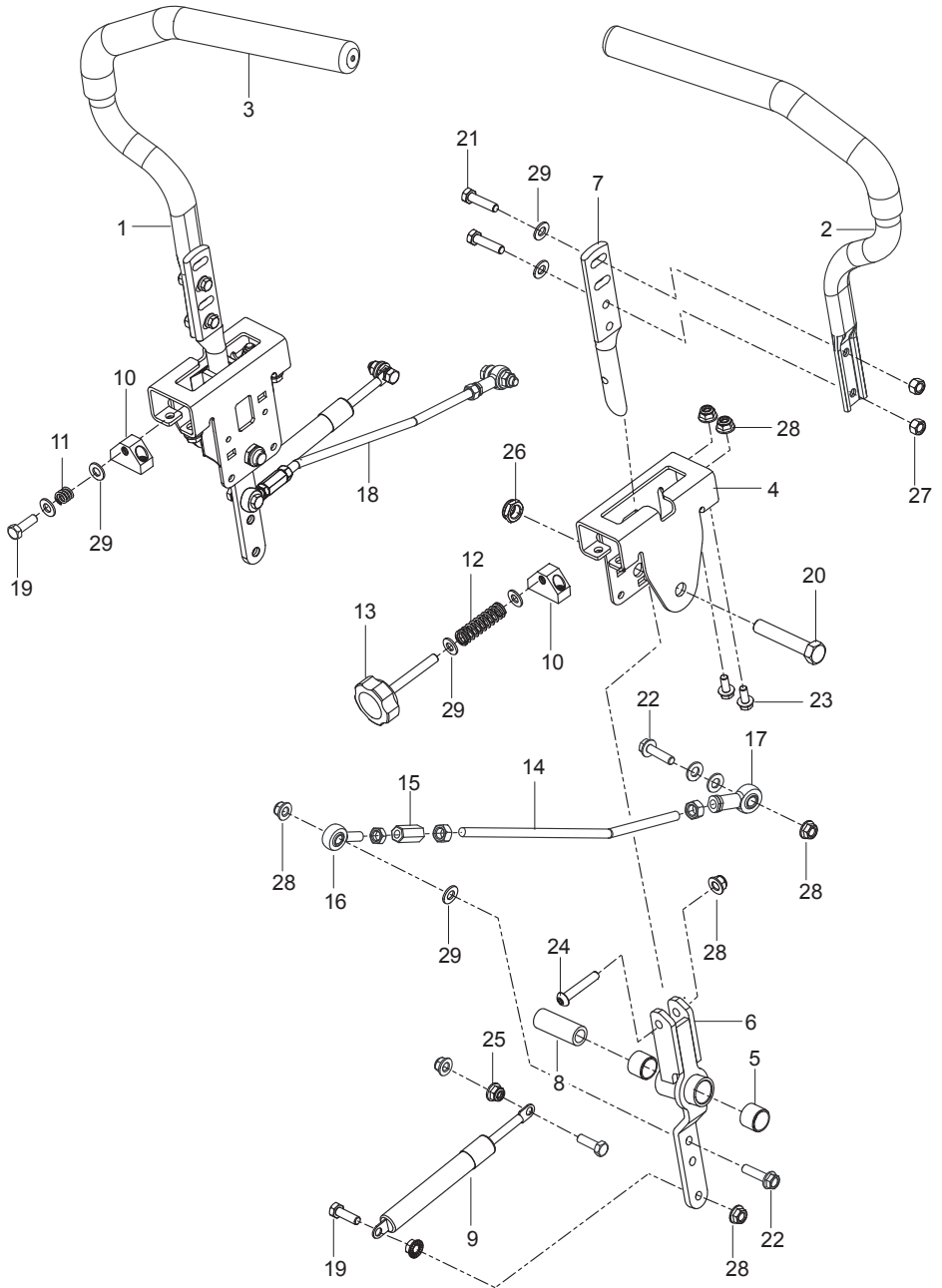
NOTE: All fasteners are Grade 5 unless otherwise specified.



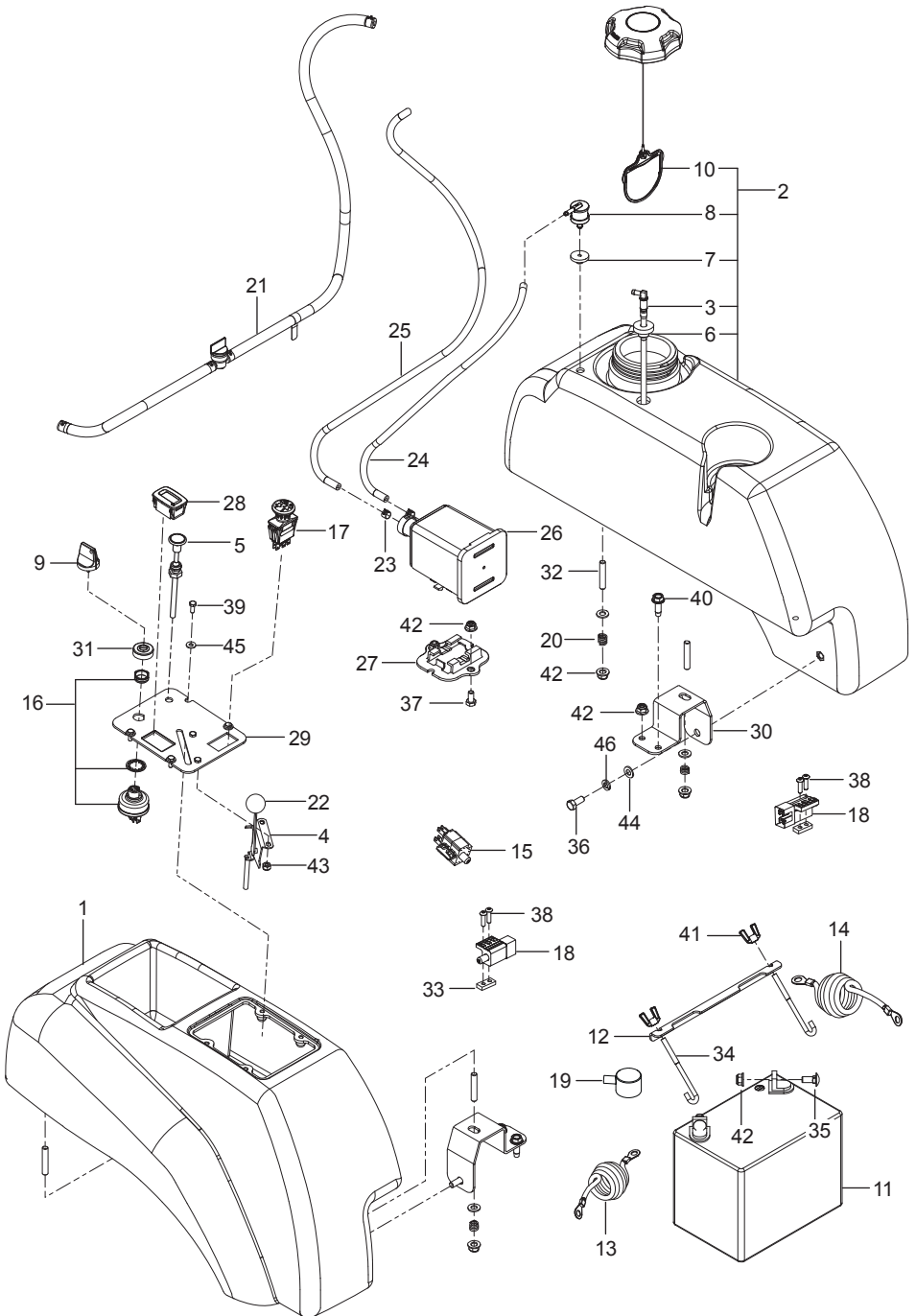
Ref.	Part No.	Qty	Description
1	501 65 60-01	1	Frame w/ Safety Decals Orange
2	586 89 30-02	1	Guard, Rear Gry
3	586 86 77-02	1	Support, Seat Orange
4	539 13 15-77	1	Side, Left Black
5	539 13 15-79	1	Side, Right Black
6	539 13 27-44	1	Plate w/ Safety Decal
7	539 13 23-80	1	Plate, Footrest Orange
8	587 04 87-02	1	Bracket, Battery Black
9	575 24 52-02	2	Bracket, Dampener Black
10	575 53 36-02	2	Mount, Tank Black
11	575 23 04-02	1	Shield, Muffler Black
12	587 99 05-01	2	Plug, Frame
13	539 13 28-59	1	Shield, Heat
14	539 10 44-11	1	Knob w/ Stud
15	539 10 25-87	7	Grommet, Bumper
16	539 10 59-74	1	Grommet, Rubber
17	539 10 23-35	2	Bolt 5/16-18 x 4 Hex Head
18	539 13 30-06	2	Bolt 3/8-16 x 2 1/2 Hex Flange Head
19	874 49 06-44	2	Bolt 3/8-16 x 2-3/4 Hex Flange Head
20	874 49 05-12	18	Bolt 5/16-18 x 3/4 Hex Flange Head
21	874 49 05 60	4	Bolt 5/16-18 x 3-3/4 Hex Flange Head
22	525 54 40-01	1	Bolt 5/16-18 x 1-1/4 Hex Flange Head
23	539 99 02-08	3	Bolt 5/16-18 x 1 Round Head Square Neck
24	539 10 91-17	2	Bolt 3/8-16 x 3/4 Round Head Square Neck Black
25	539 11 28-99	12	Nut 5/16-18 Hex Flange Nyloc
26	521 99 65-01	2	Nut 3/8-16 Hex Flange Nyloc
27	539 20 02-82	6	Nut 3/8-16 Hex Jam Nyloc
28	819 13 24-16	2	Washer 16 Gauge Flat
29	819 11 11-16	2	Washer 5/16 SAE Flat Thick
30	539 99 02-50	1	Washer



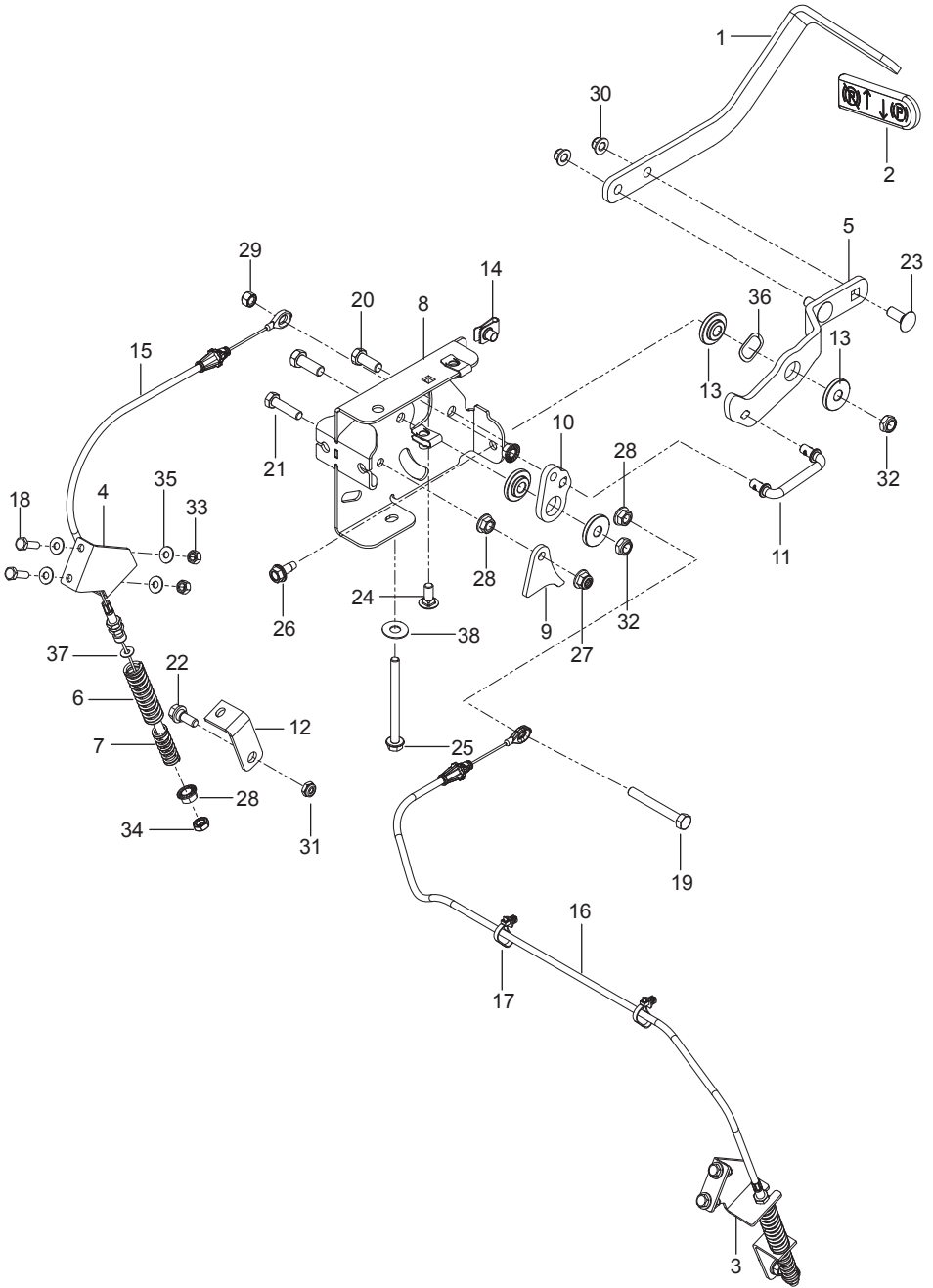
Ref.	Part No.	Qty	Description
1	586 65 14-02	1	Plate, Engine Black
2	586 67 04-02	1	Plate, Idler Support Black
3	574 87 09-01	1	Belt, Hydro
4	585 81 37-01	1	Pulley
5	539 97 66-88	1	Pulley, Idler
6	532 17 58-20	1	Pulley, Idler Secondary
7	510 04 16-03	1	Arm, Idler W/ Bearings
8	583 95 48-01	1	Exhaust Tube, Right
9	583 95 45-01	1	Exhaust Tube, Left
10	510 20 63-01	1	Pivot, Bearing
11	525 43 56-01	1	Pivot, Idler
12	532 17 93-35	1	Clutch
13	539 10 47-63	4	Retainer, U Type
14	510 25 44-01	1	Spring, Pump
15	539 11 46-62	1	Shield, Dust
16	510 25 45-01	2	Shield, Dust
17	575 22 99-02	1	Bracket, Muffler Black
18	539 13 16-04	1	Muffler
19	582 04 28-01	1	Solenoid
20	585 81 36-01	1	Stop, Clutch
21	532 13 15-63	2	Insulator
22	539 10 27-59	1	Insulator
23	584 82 55-01	1	Hose, Drain
24	539 10 27-57	1	Cable, Positive
25	539 10 13-63	1	Clamp
26	539 91 27-57	1	Key 1/4 Square x 1-1/4
27	585 80 71-01	1	Plug, Oil Drain
28	586 83 99-01	2	Gasket, Muffler
29	874 49 05-12	11	Bolt 5/16-18 x 3/4 Hex Flange Head
30	874 49 06-32	1	Bolt 3/8-16 x 2 Hex Flange Head
31	539 99 00-71	1	Bolt 1/4-20 x 1/2 Hex Head
32	581 33 28-02	1	Bolt 7/16-20 x 2-1/2 Hex Head
33	539 10 34-33	1	Bolt 1/2-13 x 3-1/4 Hex Head
34	539 99 02-09	2	Bolt 5/16-18 x 1 Hex Head
35	539 13 02-35	1	Bolt 3/8-16 x 2-3/4 Round Head Square Neck
36	539 10 04-13	1	Bolt 3/8-16 x 1-1/4 Round Head Square Neck
37	539 10 72-71	2	Bolt 5/16-18 x 1 Round Head Square Neck
38	539 10 74-75	2	Screw 5/16-18 x 3/4 Thread Form
39	817 12 06-16	4	Screw 3/8-16 x 1 Thread Form
40	817 49 04-06	2	Screw 1/4-20 x 3/8 Thread Form
41	532 19 23-34	4	Screw 5/16-18 x 3/4 Socket Head
42	539 11 28-99	15	Nut 5/16-18 Hex Flange Nyloc
43	521 99 11-01	1	Nut 1/2-13 Flange Nyloc
44	539 10 81-20	4	Nut 1/4-20 Thin Nyloc
45	521 99 65-01	2	Nut 3/8-16 Flange Nyloc
46	539 99 06-13	1	Nut 3/8-16 Whiz Lock
47	539 20 02-82	4	Nut 3/8-16 Jam Nyloc
48	539 11 18-97	1	Washer 3/8 Special
49	539 99 02-47	1	Washer 7/16 Slotted Lock
50	819 11 11-16	2	Washer 5/16 SAE
51	539 99 00-53	1	Washer 1/4 Internal Tooth Lock
52	539 10 95-54	2	Washer 1/2
53	539 11 55-28	1	Washer 1/2 Belleville
54	539 10 95-62	1	Washer 3/8
55	539 10 65-04	1	Washer, Harden
56	817 14 16-14	1	Washer 3/8 Std Flat



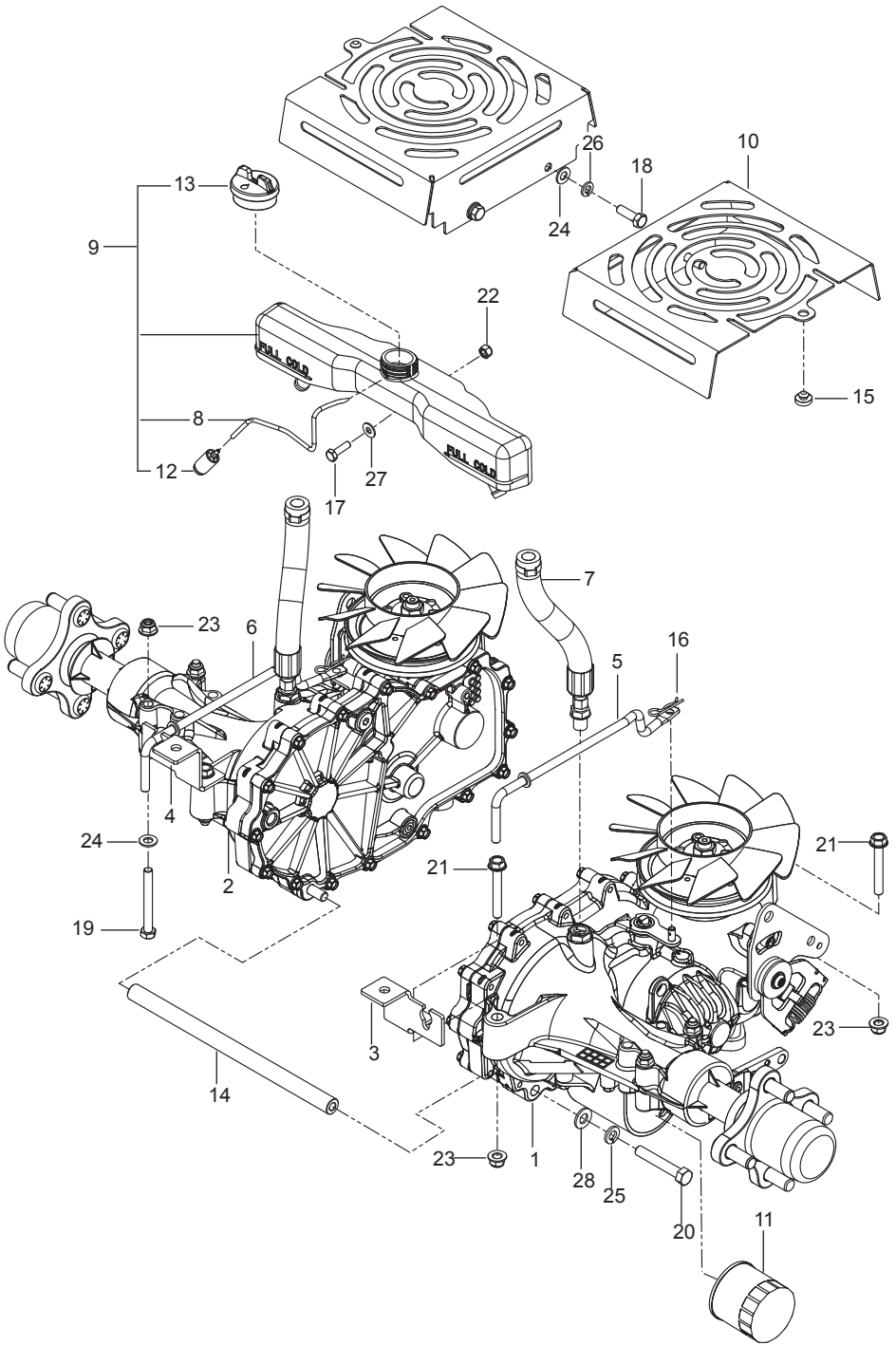
Ref.	Part No.	Qty	Description
1	539 13 20-09	1	Lever w/ Grip Right
2	539 13 20-10	1	Lever w/ Grip Left
3	539 13 08-94	2	Grip, Foam
4	585 12 47-05	2	Bracket, Control
5	532 43 82-82	4	Bearing
6	587 18 77 01	2	Lever, Control
7	577 42 00-01	2	Lever, Handle
8	584 92 72-01	2	Spacer, Pivot Control
9	539 10 27-20	2	Dampener
10	581 43 75-01	2	Block, Tracking
11	539 10 28-45	1	Spring
12	576 85 03-01	1	Spring
13	539 13 17-99	1	Knob
14	574 81 14-01	2	Rod, Motion Control
15	539 11 66-89	2	Coupler, Rod End
16	539 11 66-90	2	Rod End Left
17	539 11 57-29	2	Rod End Right
18	575 25 65-01	2	Assembly, Control Linkage
19	874 78 05-20	5	Bolt 5/16-18 x 1-1/4 Hex Head
20	874 78 08 44	2	Bolt 1/2-13 x 2-3/4 Hex Head
21	539 97 69-35	4	Bolt 5/16-18 x 1-1/2 Hex Head
22	525 54 40-01	4	Bolt 5/16-18 x 1-1/4 Tap
23	874 49 05 12	8	Bolt 5/16-18 x 3/4 Hex Flange Head
24	576 85 04-02	2	Screw 5/16-18 x 1-3/4 Button Head
25	539 99 05-85	4	Nut 5/16-18 Hex Whiz Lock
26	539 10 80-10	2	Nut 1/2-13 Hex Jam Nyloc Grade 2
27	539 99 07-17	6	Nut 5/16-18 Hex Nyloc
28	539 11 28-99	10	Nut 5/16-18 Hex Flange Nyloc
29	819 11 11-16	12	Washer 5/16 Sae Flat



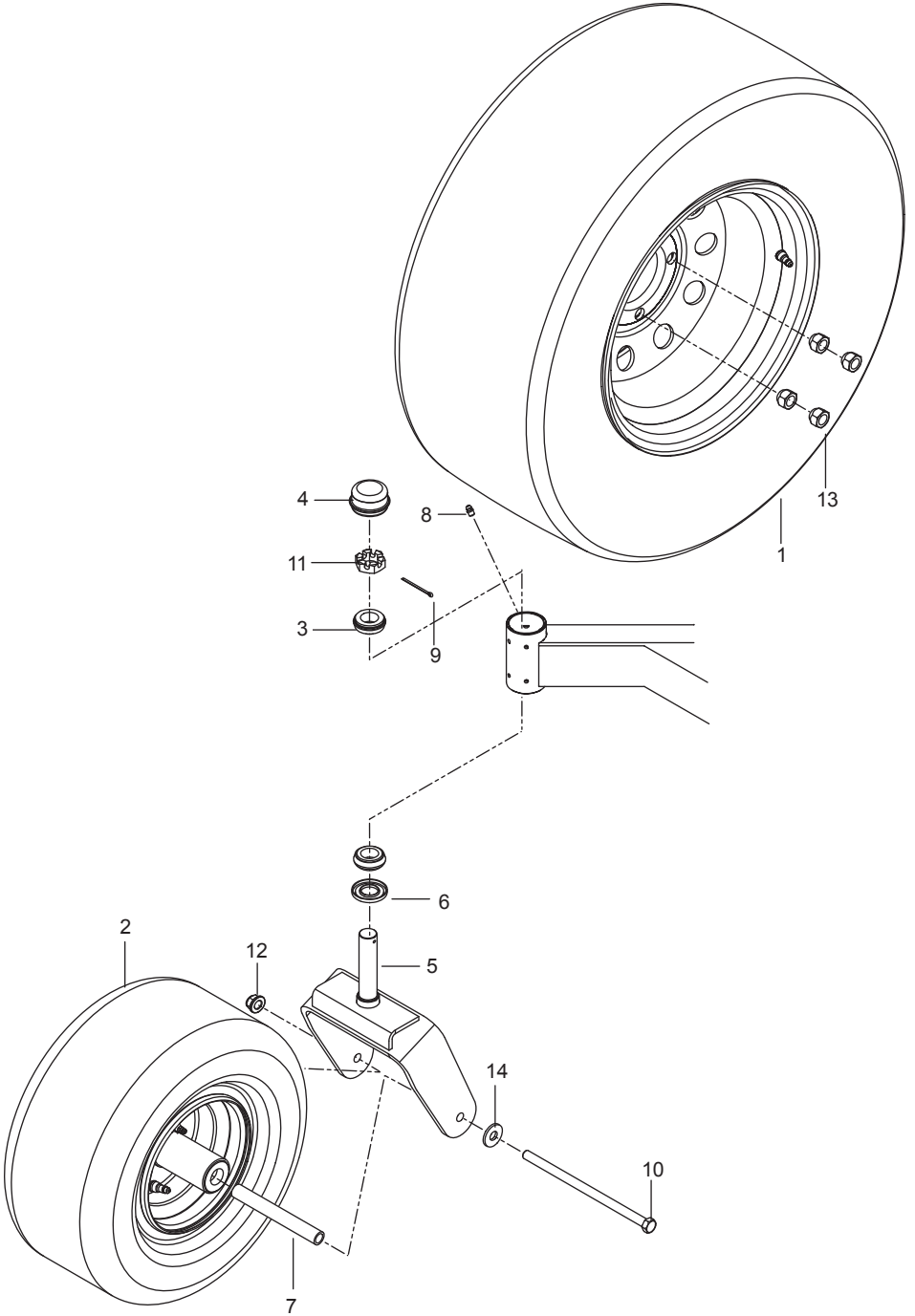
Ref.	Part No.	Qty	Description
1	539 10 75-93	1	Console, Right Gry
2	585 72 23-01	1	Assembly, Tank Left Gry
3	576 46 92-01	1	Fitting, Fuel
4	539 10 27 32	1	Control, Throttle
5	539 11 34-58	1	Control, Choke
6	539 10 52-45	1	Grommet, Rubber
7	576 61 82-01	1	Grommet, Check Valve
8	576 61 81-01	1	Valve, Fuel Check
9	574 45 55-01	1	Key
10	575 01 81-01	1	Fuel Cap w /Tether
11	539 10 24-36	1	Battery
12	588 10 72-01	1	Bracket, Battery Mount
13	588 03 07-01	1	Cable, Battery Pos Red
14	588 03 08-01	1	Cable, Battery Neg Black
15	532 19 78-02	1	Switch, Brake
16	574 45 54-01	1	Switch, Ignition
17	582 10 76-02	1	Switch, Blade
18	532 10 95-53	2	Switch, Interlock
19	532 43 53-95	1	Cover, Terminal
20	539 10 28-45	6	Spring
21	586 12 39-01	1	Assembly, Fuel Hose
22	539 13 30-49	1	Knob
23	575 43 65-01	4	Clamp, Hose
24	587 04 45-36	1	Hose 3/16 Vapor 36"
25	587 04 45-27	1	Hose 3/16 Vapor 27"
26	532 41 41-14	1	Canister, Carbon
27	575 24 27-01	1	Bracket, Canister
28	586 16 18-01	1	Meter, Service
29	574 84 12-04	1	Plate, Console, Black
30	539 13 16-71	2	Support, Tank Black
31	539 10 31-78	1	Nutcap, Switch
32	539 10 25-02	6	Stud, Tank
33	581 22 30-01	2	Plate, Nut
34	510 06 40-01	2	Hook, J
35	872 14 05-06	2	Bolt 5/16-18 x 3/4 Round Head Square Neck
36	874 78 05-12	2	Bolt 5/16-18 x 3/4 Hex Head
37	539 10 83-92	2	Bolt 5/16-18 x 5/8 Hex Head
38	574 82 27-01	4	Screw #10-24 x 3/4 Socket Head
39	539 99 04-11	6	Screw #10-24 x 1/2 Slotted Hex Head
40	817 49 05-16	3	Screw 5/16-18 x 1 Washer Head
41	539 99 09-97	2	Nut 1/4-20 Wing Nut Nyloc
42	539 11 28-99	15	Nut 5/16-18 Hex Flange Nyloc
43	539 97 69-77	2	Nut #10-24 Hex Nylon Ring
44	819 11 11-16	8	Washer 5/16 SAE Flat
45	819 07 08-18	4	Washer #10
46	810 03 05-00	2	Washer, Slotted Lock
	NOT SHOWN		
	585 99 97-01	1	Harness, Wiring



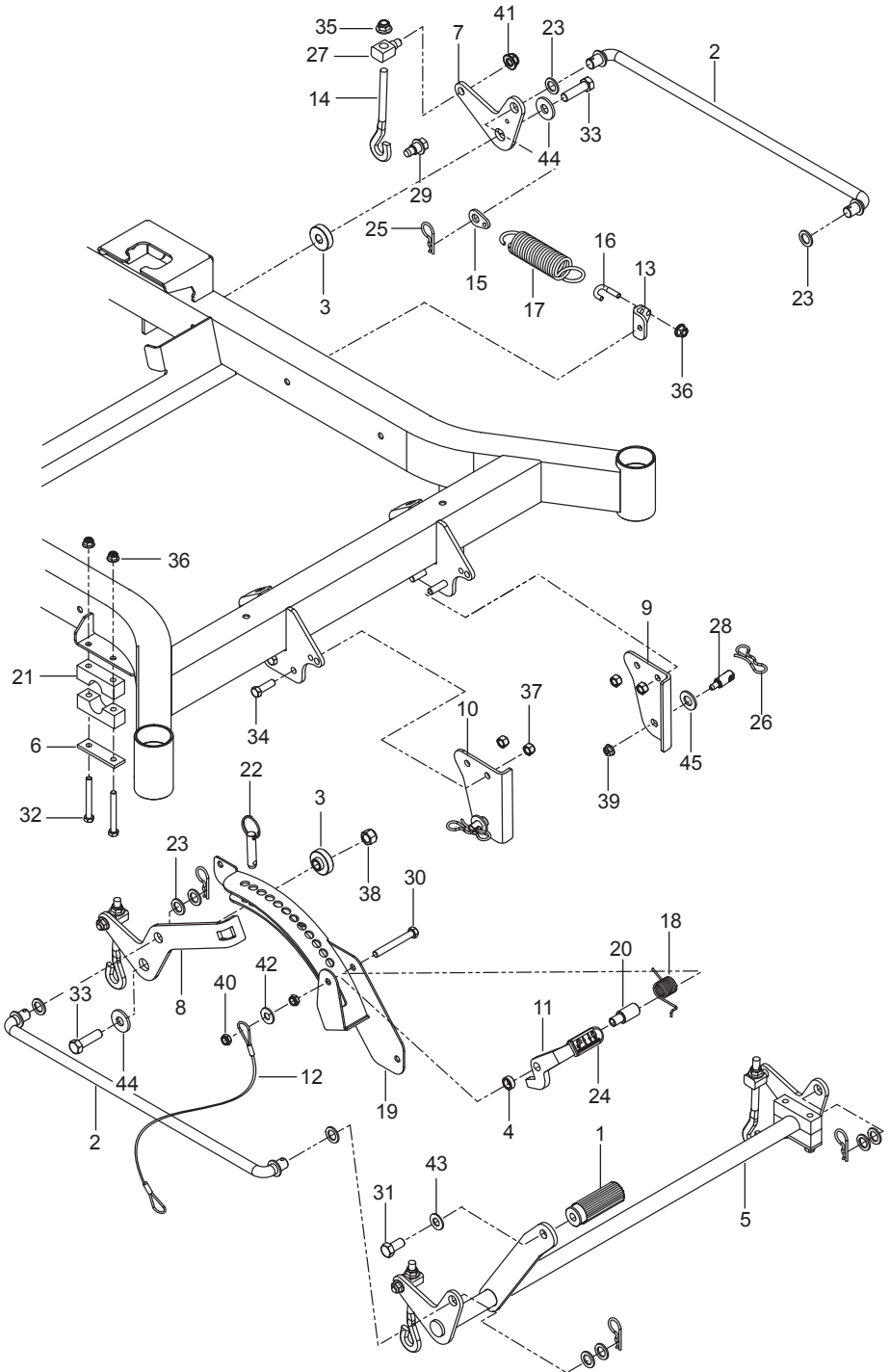
Ref.	Part No.	Qty	Description
1	539 13 21-51	1	Arm, Brake
2	539 10 50-36	1	Grip, Brake Handle
3	575 22 96-02	1	Bracket, Right Black
4	575 22 97-02	1	Bracket, Left Black
5	586 73 88-02	1	Lever, Brake
6	575 23 02-01	2	Spring, Return
7	575 23 03-01	2	Spring, Engagement
8	586 83 00-02	1	Mount, Brake
9	539 13 21-54	1	Actuator, Switch
10	539 13 21-53	1	Bellcrank, Brake
11	539 13 24-24	1	Linkage, Brake
12	575 22 98-02	2	Bracket, Brake
13	539 13 21-61	4	Bushing, Brake
14	539 10 47-63	3	Retainer, U Type 5/16-18
15	582 12 18-01	1	Cable, Brake Short
16	582 12 20-01	2	Cable, Brake Long
17	505 28 00-01	2	Tie Wrap w/ Clip
18	539 99 06-43	4	Bolt 1/4-20 x 7/8 Hex Head
19	539 10 83-96	1	Bolt 5/16-18 x 2-1/2 Hex Head Tap
20	539 99 05-63	2	Bolt 3/8-16 x 1 Hex Head
21	539 99 02-09	1	Bolt 5/16-18 x 1 Hex Head
22	539 11 03-03	2	Bolt 5/16 Shoulder
23	539 99 06-45	2	Bolt 3/8-16 x 1 Round Head Square Neck
24	539 99 03-16	1	Bolt 5/16-18 x 3/4
25	539 13 17-80	1	Bolt 5/16-18 x 3-3/4 Hex Flange Head
26	874 49 05-12	1	Bolt 5/16-18 x 3/4 Hex Flange Head
27	539 11 28-99	2	Nut 5/16-18 Hex Flange Nyloc
28	539 99 05-85	5	Nut 5/16-18 Hex Whiz Lock
29	539 99 07-17	1	Nut 5/16-18 Hex Nyloc
30	521 99 65-01	2	Nut 3/8-16 Hex Flange Nyloc
31	539 11 56-17	2	Nut 5/16 Hex Nyloc Thin
32	539 20 02-82	2	Nut 3/8-16 Hex Jam Nyloc
33	539 97 69-78	4	Nut 1/4-20 Hex Nyloc
34	539 10 78-97	2	Nut 5/16-18 Hex Jam
35	539 99 00-55	8	Washer 1/4 SAE Flat
36	539 13 30-07	1	Washer, Wave
37	539 99 01-22	2	Washer 3/8 SAE
38	819 18 22-12	1	Washer 1/2 Flat



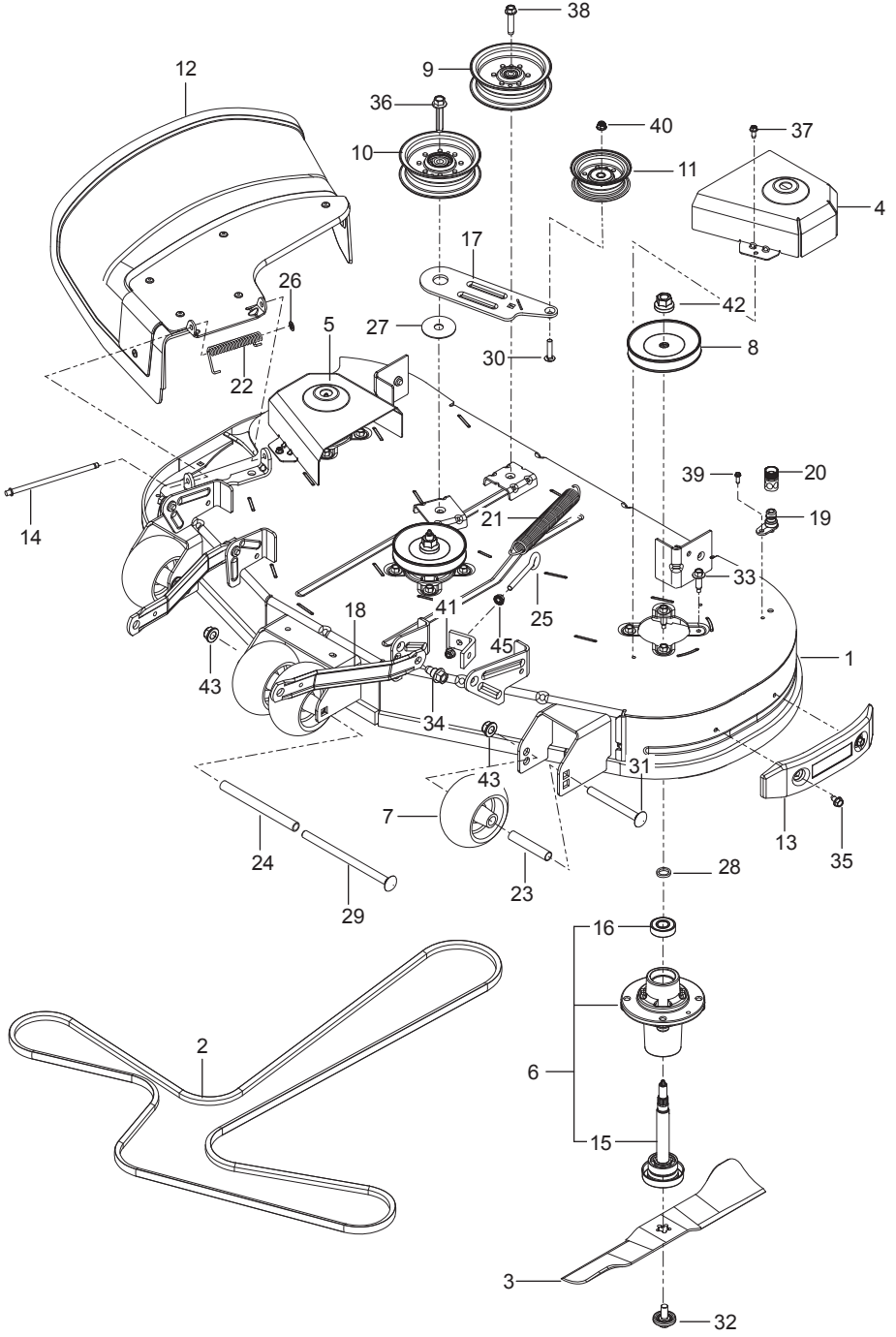
Ref.	Part No.	Qty	Description
1	577 22 77-02	1	Trans, ZT-3100, Left
2	577 22 77-01	1	Trans, ZT-3100, Right
3	575 01 71-02	1	Bracket, Trans, Left
4	575 01 70-02	1	Bracket, Trans, Right
5	539 13 16-16	1	Linkage, Bypass Left
6	539 13 16-18	1	Linkage, Bypass Right
7	574 89 21-01	2	Hose, Expansion
8	586 06 75-01	1	Hose, Fuel
9	585 31 82-01	1	Tank, Expansion
10	584 99 42-02	2	Cover, Fan
11	539 11 34-66	2	Filter, Hydro
12	530 09 56-46	1	Filter
13	586 07 27-01	1	Cap, Tank
14	574 86 85-01	1	Tube, Spacer
15	539 10 25-87	2	Grommet, Bumper
16	539 97 69-88	2	Pin
17	539 99 06-43	1	Bolt 1/4-20 x 7/8 Hex Head
18	539 99 02-09	4	Bolt 5/16-18 x 1 Hex Head
19	539 10 17-21	4	Bolt 5/16-18 x 2-3/4 Hex Head
20	539 10 85-51	2	Bolt 3/8-16 x 2-1/2 Hex Head Grade 8
21	574 23 38-01	4	Bolt 5/16-18 x 2-1/4 Hex Flange Head
22	539 97 69-78	1	Nut 1/4-20 Hex Nyloc
23	539 11 28-99	8	Nut 5/16-18 Hex Flange Nyloc
24	539 99 01-88	8	Washer 5/16 SAE Flat
25	539 99 01-18	2	Washer 3/8 Split Lock
26	539 99 01-87	4	Washer 5/16 Slotted Lock
27	539 99 00-55	1	Washer 1/4 SAE Flat
28	539 99 01-22	2	Washer 3/8 SAE Flat



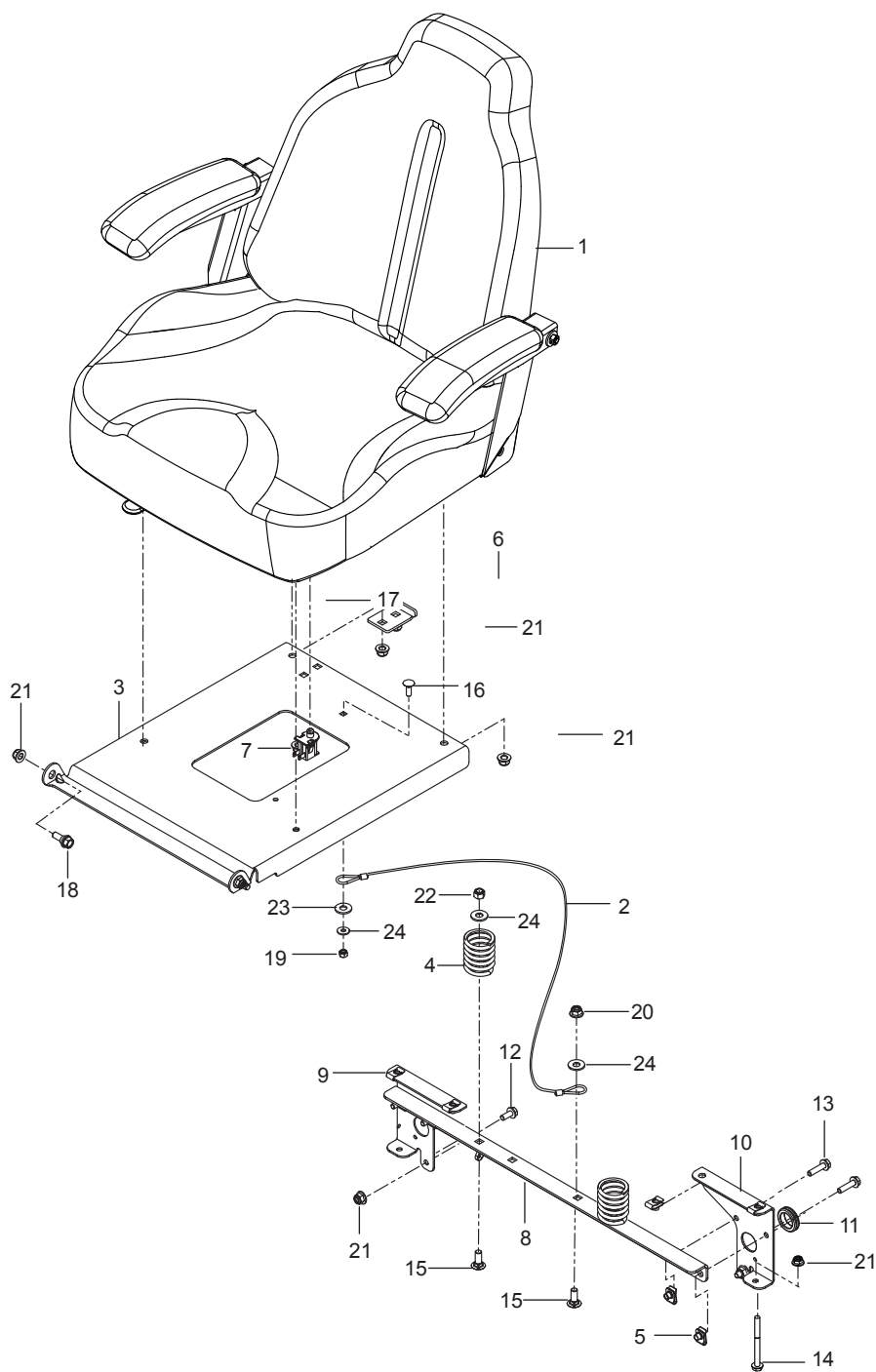
Ref.	Part No.	Qty	Description
1	580 74 70-01	2	Assembly, Wheel 22 x 10-10
	582 74 63-01	2	Tire, 22 x 10-10
2	581 19 95-01	2	Assembly, Wheel 13 x 6.5
3	539 10 25-43	4	Bearing
4	539 10 25-35	2	Cap, Grease
5	586 92 19-02	2	Yoke, Caster, Orange
6	539 10 28-51	2	Seal
7	575 33 49-01	2	Spacer, Pivot
8	539 10 14-74	2	Zerk
9	539 10 28-89	2	Pin 1/8 x 2 Cotter
10	539 10 55-17	2	Bolt 1/2-13 x 9-1/2 Hex Head
11	539 10 28-52	2	Nut 1-14 Slotted Jam
12	521 99 11-01	2	Nut 1/2-13 Hex Flange Nyloc
13	587 65 39-02	8	Nut 1/2-20 Lug
14	819 18 22-12	2	Washer 1/2 Flat



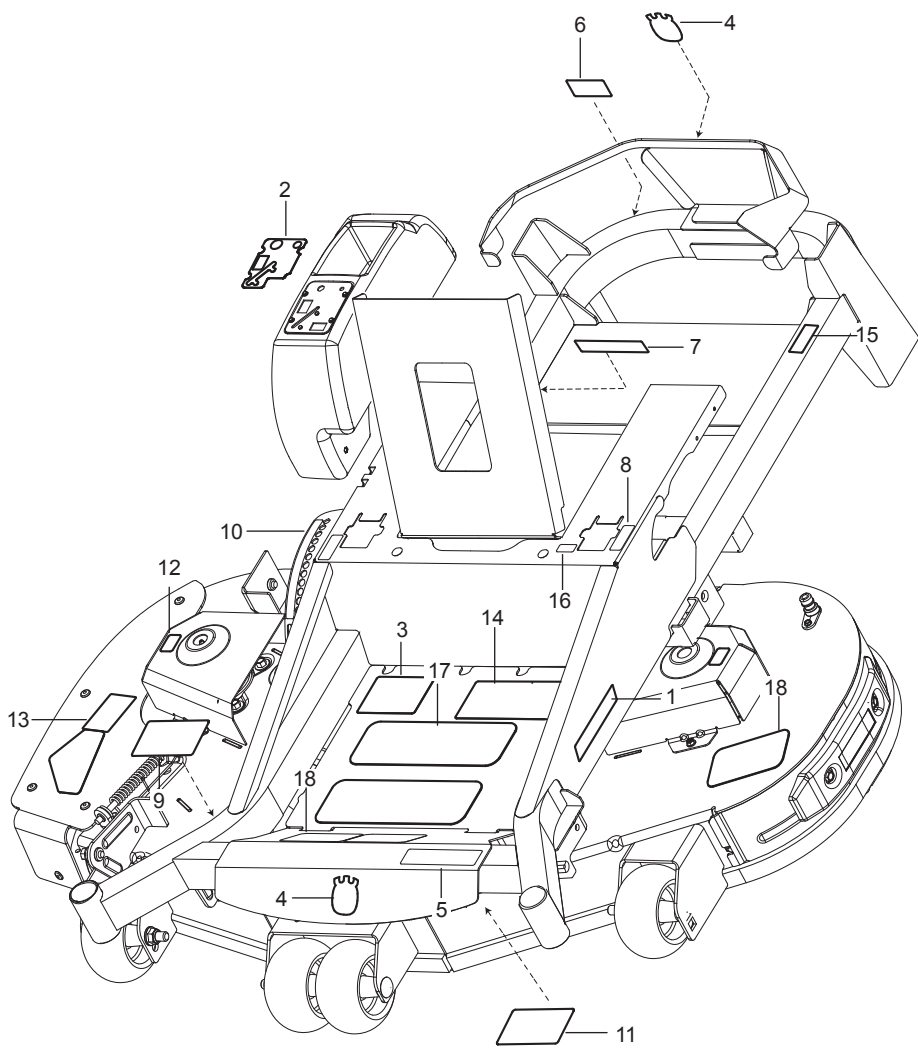
Ref.	Part No.	Qty	Description
1	510 40 83-01	1	Pedal, Foot
2	539 11 08-08	2	Link, Deck Lift
3	586 70 17-01	2	Spacer, Idler
4	539 13 18-61	1	Spacer
5	586 92 87-02	1	Shaft, Front Lift Black
6	584 39 27-02	2	Plate, Reinforcement
7	539 13 18-97	1	Bellcrank, Rear, Lift Black
8	539 13 18-53	1	Bellcrank, Rear, Right Black
9	588 81 21-02	1	Bracket, Suspension Left
10	588 81 20-02	1	Bracket, Suspension Right
11	539 13 15-66	1	Latch, Transport
12	539 10 50-59	1	Lanyard
13	539 13 17-91	1	Mount, Spring
14	588 78 33-01	4	Link
15	539 13 17-92	1	Tab, Spring
16	539 11 28-96	1	J-Bolt
17	539 10 26-42	1	Spring
18	539 13 27-34	1	Spring, Torsion
19	539 13 18-50	1	Height Adjust, Deck
20	539 13 18-60	1	Pivot Latch, Transport
21	539 10 48-08	4	Pillow Block
22	539 13 21-82	1	Pin 1/2 x 1-1/2 Detent Ring
23	539 99 10-43	10	Bushing 5/8
24	539 13 28-51	1	Grip
25	539 11 55-01	4	Pin 1-3/4 Cotter
26	532 19 42-09	2	Pin 7/16 Cotter Bowtie
27	532 17 62-05	4	Trunnion
28	532 19 51-61	4	Stud w/ Anti-Rotate
29	532 19 65-39	4	Bolt 3/8-16 Shoulder
30	874 78 06-48	1	Bolt 3/8-16 x 3 Hex Head
31	539 99 06-46	1	Bolt 1/2-13 x 1 Hex Head
32	539 10 17-21	4	Bolt 5/16-18 x 2-3/4 Hex Head
33	539 10 81-81	2	Bolt 1/2-13 x 1-3/4 Hex Head Grade 8
34	539 99 05-63	4	Bolt 3/8-16 x 1 Hex Head
35	532 40 02-44	4	Nut 3/8-16 Hex Flange Lock
36	539 11 28-99	5	Nut 5/16-18 Hex Flange Nyloc
37	539 97 69-79	4	Nut 3/8-16 Hex Nyloc
38	539 10 13-31	4	Nut 1/2-13 Hex Nyloc
39	873 90 05-00	2	Nut 5/16-18 Hex Flange Lock
40	539 20 02-82	2	Nut 3/8-16 Hex Jam Nyloc
41	873 90 06-00	4	Nut 3/8-16 Hex Flange Lock
42	819 14 16-14	1	Washer 3/8 Flat
43	539 10 28-43	1	Washer 7/16 Spring
44	539 10 95-54	2	Washer 1/2 Flat
45	819 19 19-12	2	Washer



Ref.	Part No.	Qty	Description
1	588 79 82-02	1	Deck Orange
2	579 67 85-01	1	V-Belt
3	588 81 10-02	3	Blade, Bagging
4	588 81 28 02	1	Belt Shield, Left
5	588 81 24 02	1	Belt Shield, Right
6	539 11 21-70	3	Assembly, Mandrel
7	574 16 96-01	4	Wheel, Gauge
8	532 17 34-35	3	Pulley
9	532 19 61-06	1	Pulley, Idler
10	532 19 61-04	1	Pulley, Idler
11	532 19 31-97	1	Pulley, Idler
12	588 98 07-01	1	Deflector w/ safety decals
13	582 54 11-01	1	Bumper
14	532 13 14-91	1	Rod, Hinge
15	532 18 72-91	1	Shaft
16	532 11 04-85	1	Bearing
17	588 81 22 02	1	Arm, Idler
18	532 19 51-85	2	Arm, Suspension
19	532 41 55-98	1	Port, Washout
20	532 41 64-05	1	Coupling, Quick Connect
21	582 50 40-01	1	Spring, Deck Belt
22	587 35 47 01	1	Spring, Torsion
23	574 19 65-01	1	Tube 3-3/8 Roller
24	574 19 64-01	1	Tube 6-3/4 Roller
25	539 11 55-74	1	Eye Bolt 5/16 x 3-1/2
26	532 11 04-52	1	Pushnut
27	532 17 85-15	1	Washer 16 Gauge
28	532 18 76-90	3	Washer Spacer
29	872 14 08-64	2	Bolt 1/2-13 x 8 Round Head Square Neck
30	872 11 06-14	1	Bolt 3/8-16 x 1-3/4 Round Head Square Neck
31	510 02 23-01	2	Bolt 1/2-13 x 4-3/4 Round Head Square Neck
32	532 19 30-03	3	Bolt, Blade
33	584 95 39-01	12	Bolt 5/16-18 x 1-1/4 Hex Washer Head
34	532 19 65-39	4	Bolt 3/8-16 Shoulder
35	817 00 05-10	2	Screw 5/16-18 x 5/8 Hex Washer Head Serrated
36	588 43 83-01	1	Screw 7/16-14 x 2-1/8 Hex Washer Head
37	532 13 77-29	4	Screw 1/4-20 x 5/8 Hex Thread Form
38	817 49 06-28	1	Screw 3/8-16 x 1-3/4 Hex Thread Form
39	817 49 04-08	1	Screw 1/4-20 x 1/2 Hex Self Tap
40	873 90 06-00	1	Nut 3/8-16 Hex Flange Lock
41	539 11 28-99	1	Nut 5/16-18 Hex Flange Nyloc
42	532 40 02-34	3	Nut 9/16 Top Center Lock
43	521 99 11-01	2	Nut 1/2-13 Hex Flange Nyloc
44	532 11 04-52	1	Pushnut
45	539 99 05-85	1	Nut 5/16-18 Hex Whiz Lock



Ref.	Part No.	Qty	Description
1	501 58 04-02	1	Assembly, Seat
2	539 10 32-47	1	Lanyard, Seat
3	501 76 21-02	1	Mount, Seat Org
4	587 61 33-01	2	Spring, Seat Blk
5	539 10 47-63	8	Retainer, U Type
6	539 13 07-93	1	Deck Stop
7	539 11 97-41	1	Switch, Seat
8	584 80 91-02	1	Support, Seat Blk
9	584 99 01-02	1	Support, Right Blk
10	584 99 02-02	1	Support, Left Blk
11	539 10 59-74	1	Grommet Rubber
12	874 49 05-12	2	Bolt 5/16-18 x 3/4 Hex Flange Head
13	525 54 40-01	4	Bolt 5/16-18 x 1-1/4 Hex Flange Head
14	874 49 05-60	2	Bolt 5/16-18 x 3-3/4 Hex Flange Head
15	872 14 06-08	3	Bolt 3/8-16 x 1 Round Head Square Neck
16	872 11 04-06	1	Bolt 1/4-20 x 3/4 Round Head Square Neck
17	872 05 05-06	2	Bolt 5/16-18 x 3/4 Round Head Square Neck
18	539 13 08-96	2	Bolt 5/16-18 Shoulder
19	873 80 04-00	1	Nut 1/4-20 Hex Nyloc
20	521 99 65-01	2	Nut 3/8-16 Hex Flange Nyloc
21	539 11 28-99	11	Nut 5/16-18 Hex Flange Nyloc
22	873 80 06-00	2	Nut 3/8-16 Hex Nyloc
23	819 09 12-16	1	Washer 1/4 Flat
24	819 14 16-14	4	Washer 3/8 Std Flat



Ref.	Part No.	Qty	Description
1	532 42 91-96	2	Decal, Husqvarna
2	574 84 11-03	1	Decal, Console
3	586 34 25-01	1	Decal, Start
4	532 42 86-76	2	Decal, Crown H
5	589 48 06-01	1	Decal, MZ 48
6	539 10 57-44	1	Decal, Danger Belt Drive
7	539 10 57-45	1	Decal, Battery Warning
8	589 28 30-01	2	Decal, Motion Control
9	539 11 26-20	1	Decal, Belt Routing
10	539 13 20-39	1	Decal, Height Adjust
11	539 13 21-87	1	Decal, Service
12	589 35 79-01	2	Decal, No Step
13	586 97 88-01	1	Decal, Deflector
14	583 93 40-01	1	Decal, Warning
15	532 42 41-02	2	Decal, Spark Arrestor
16	585 14 26 01	2	Decal, Tracking
17	539 97 77-78	2	Pad, Abrasive Large
18	539 12 13-22	3	Pad, Abrasive Small



www.husqvarna.com

2018-01-01