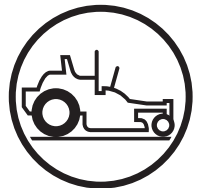




Husqvarna[®]



Parts Manual

M-ZT 61 / 967 177010-01

Please read the operator manual carefully and make sure you understand the instructions before using the machine.

Gasoline containing a maximum of 10% ethanol (E10) is permitted for use in this machine. The use of gasoline with more than 10% ethanol (E10) will void the product warranty.



For spare parts or support in service questions, warranty issues, etc., please consult the following professional:

| | | |
|---|--------|--------------|
| | | |
| This manual belongs to the machine with the manufacturing number: | Engine | Transmission |

Manufacturing Number

The machine's manufacturing number can be found on the printed plate affixed to the engine compartment.

Stated on the plate, from the top are:

- The machine's type designation (I.D.).
- The manufacturer's type number (Model).
- The machine's serial number (Serial no.)

Please have the type designation and serial number available when ordering spare parts.

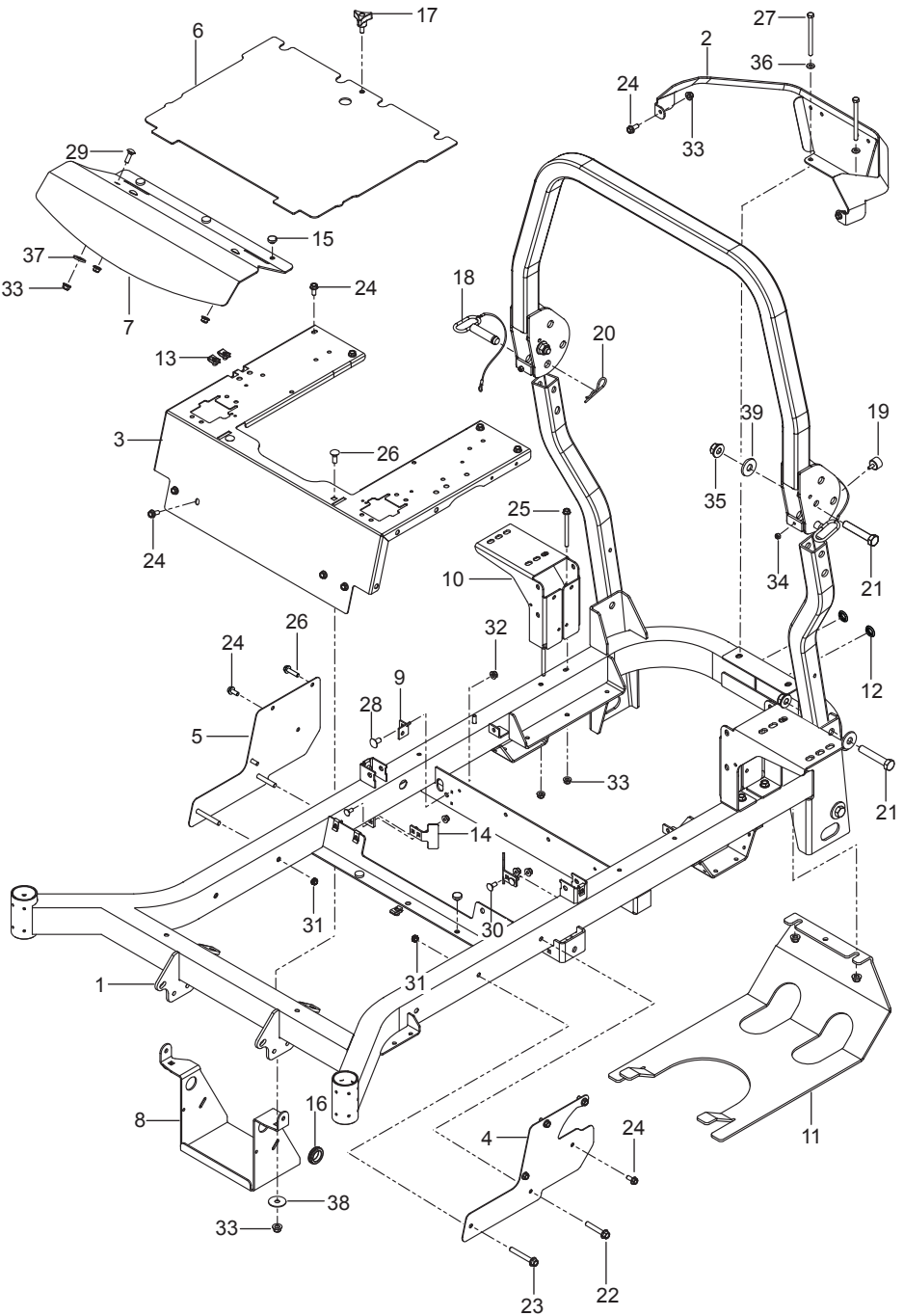
CONTENTS

| | |
|---------------------------------|----|
| FRAME | 4 |
| ENGINE PLATE..... | 6 |
| STEERING | 8 |
| IGNITION SYSTEM..... | 10 |
| PARKING BRAKE | 12 |
| HYDRAULIC PUMP-MOTOR..... | 14 |
| WHEELS & TIRES | 16 |
| MOWER LIFT / DECK LIFT..... | 18 |
| MOWER DECK / CUTTING DECK | 20 |
| SEAT | 22 |
| DECALS | 24 |

Illustrations may or may not represent the actual assemblies
and it is not recommended to use this manual
as a guide to assemble or disassemble the mower.

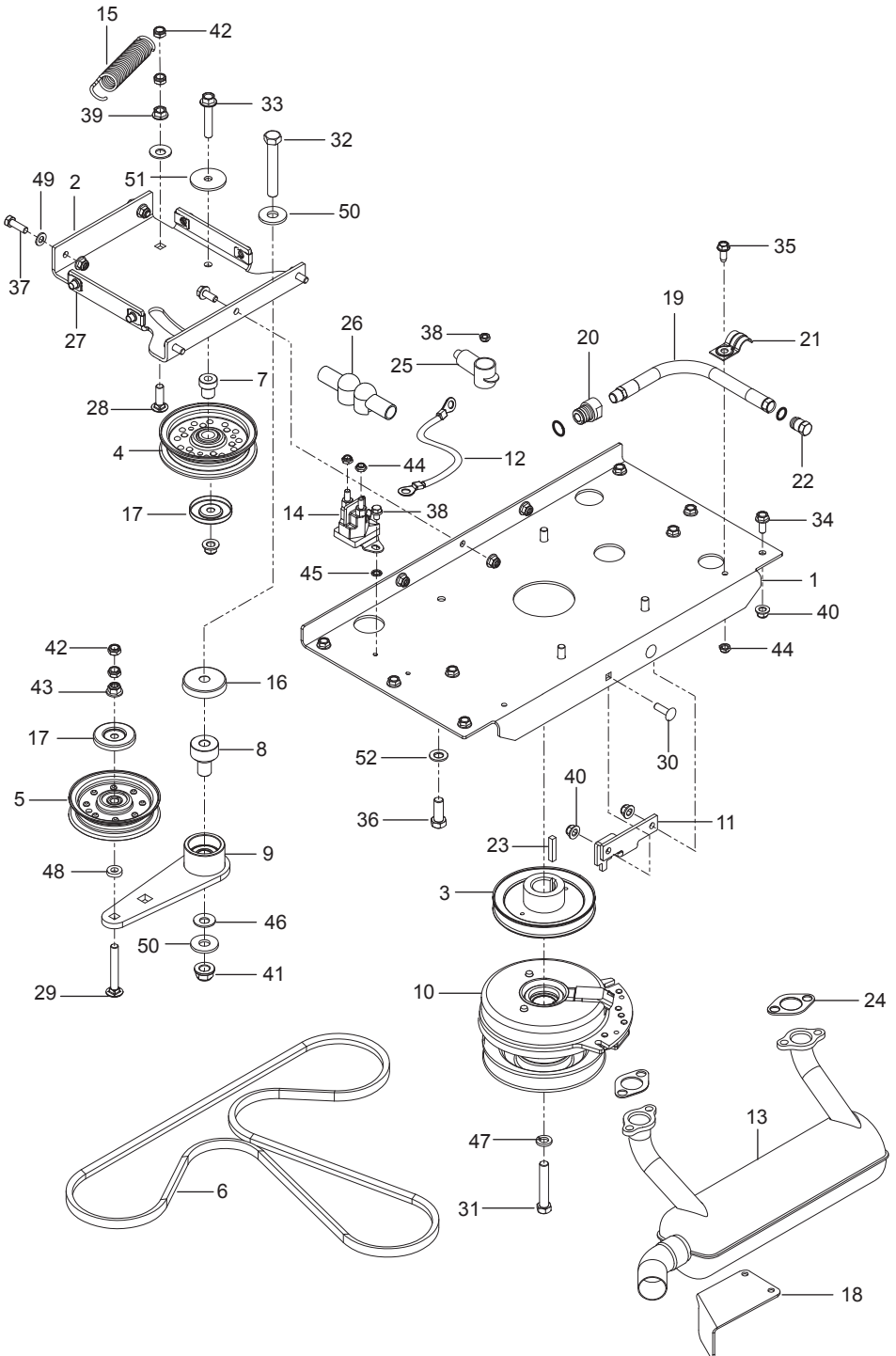
NOTE: All fasteners are Grade 5 unless otherwise specified.

FRAME



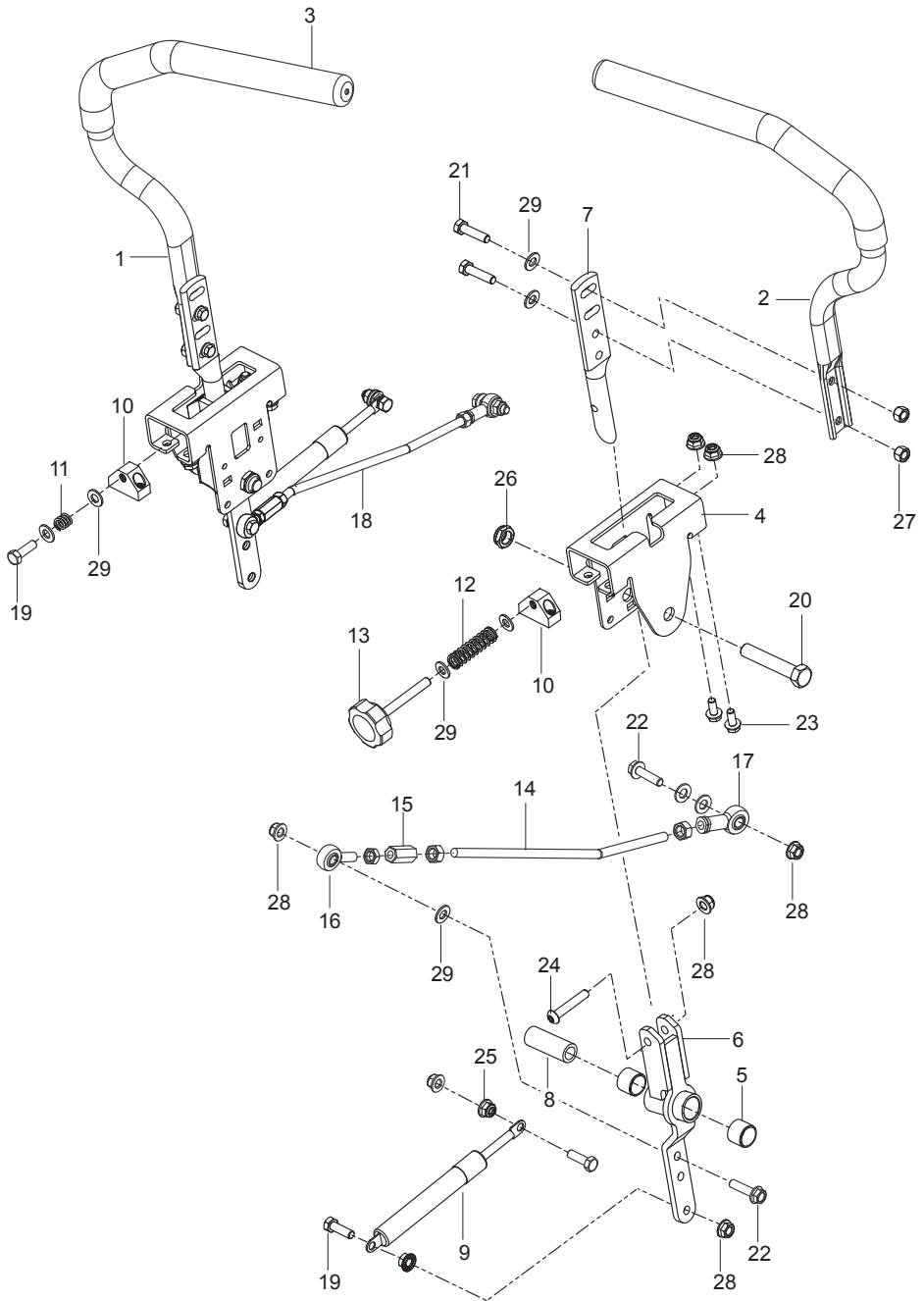
| Ref. | Part No. | Qty | Description | Kit / Assy Includes |
|------|--------------|-----|--|---------------------|
| 1 | 501 65 60-01 | 1 | Frame w/ Safety Decals Org | |
| 2 | 586 89 30-02 | 1 | Guard, Rear Gry | |
| 3 | 586 86 77-02 | 1 | Support, Seat Org | |
| 4 | 586 56 01-01 | 1 | Side, Lt Blk | |
| 5 | 586 56 02-02 | 1 | Side, Rt Blk | |
| 6 | 539 13 27-44 | 1 | Plate w/ Safety Decal | |
| 7 | 539 13 23-80 | 1 | Plate, Footrest Org | |
| 8 | 587 04 87-02 | 1 | Bracket, Battery Blk | |
| 9 | 575 24 52-02 | 2 | Bracket, Dampener | |
| 10 | 575 53 36-02 | 2 | Mount, Tank Blk | |
| 11 | 521 92 18-05 | 1 | Guard, Skid Gry | |
| 12 | 587 99 05-01 | 2 | Plug, Frame | |
| 13 | 539 10 47-63 | 8 | Retainer, U Type | |
| 14 | 505 25 64-01 | 2 | Stop, Deck | |
| 15 | 539 10 25-87 | 7 | Grommet, Bumper | |
| 16 | 539 10 59-74 | 1 | Grommet, Rubber | |
| 17 | 539 10 44-11 | 1 | Knob W/ Stud | |
| 18 | 574 38 80-01 | 2 | Latch Pin w/ Lanyard | |
| 19 | 522 80 14-01 | 2 | Bumper, Male Stud 1/4-20 | |
| 20 | 539 20 07-15 | 2 | Pin, Hair | |
| 21 | 580 75 46-01 | 6 | Bolt 5/8-11 x 3-1/2 Hex Head | |
| 22 | 539 13 30-06 | 2 | Bolt 3/8-16 x 2 1/2 Hex Flange Head | |
| 23 | 874 49 06-44 | 2 | Bolt 3/8-16 x 2-3/4 Hex Flange Head | |
| 24 | 874 49 05-12 | 18 | Bolt 5/16-18 x 3/4 Hex Flange Head | |
| 25 | 874 49 05 60 | 4 | Bolt 5/16-18 x 3-3/4 Hex Flange Head | |
| 26 | 525 54 40-01 | 1 | Bolt 5/16-18 x 1-1/4 Hex Flange Head | |
| 27 | 539 10 23-35 | 2 | Bolt 5/16-18 x 4 Hex Head | |
| 28 | 539 10 91-17 | 2 | Bolt 3/8-16 x 3/4 Round Head Square Neck | |
| 29 | 539 99 02-08 | 3 | Bolt 5/16-18 x 1 Round Head Square Neck | |
| 30 | 872 14 05-06 | 2 | Bolt 5/16-18 x 1 Round Head Square Neck | |
| 31 | 539 20 02-82 | 6 | Nut 3/8-16 Hex Jam Nyloc | |
| 32 | 521 99 65-01 | 2 | Nut 3/8-16 Hex Flange Nyloc | |
| 33 | 539 11 28-99 | 12 | Nut 5/16-18 Hex Flange Nyloc | |
| 34 | 539 97 69-78 | 4 | Nut 1/4-20 Hex Nyloc | |
| 35 | 525 82 91-01 | 6 | Nut 5/8-11 Flange Nyloc | |
| 36 | 819 11 11-16 | 2 | Washer 5/16 SAE Flat Thick | |
| 37 | 539 99 02-50 | 1 | Washer | |
| 38 | 819 13 24-16 | 2 | Washer 16 Gauge Flat | |
| 39 | 539 10 26-53 | 4 | Washer 5/8 Std Flat | |
| | Not Shown | | | |
| | 575 27 48-01 | 1 | Assembly, ROPS w/ Seat Belt | |

ENGINE PLATE



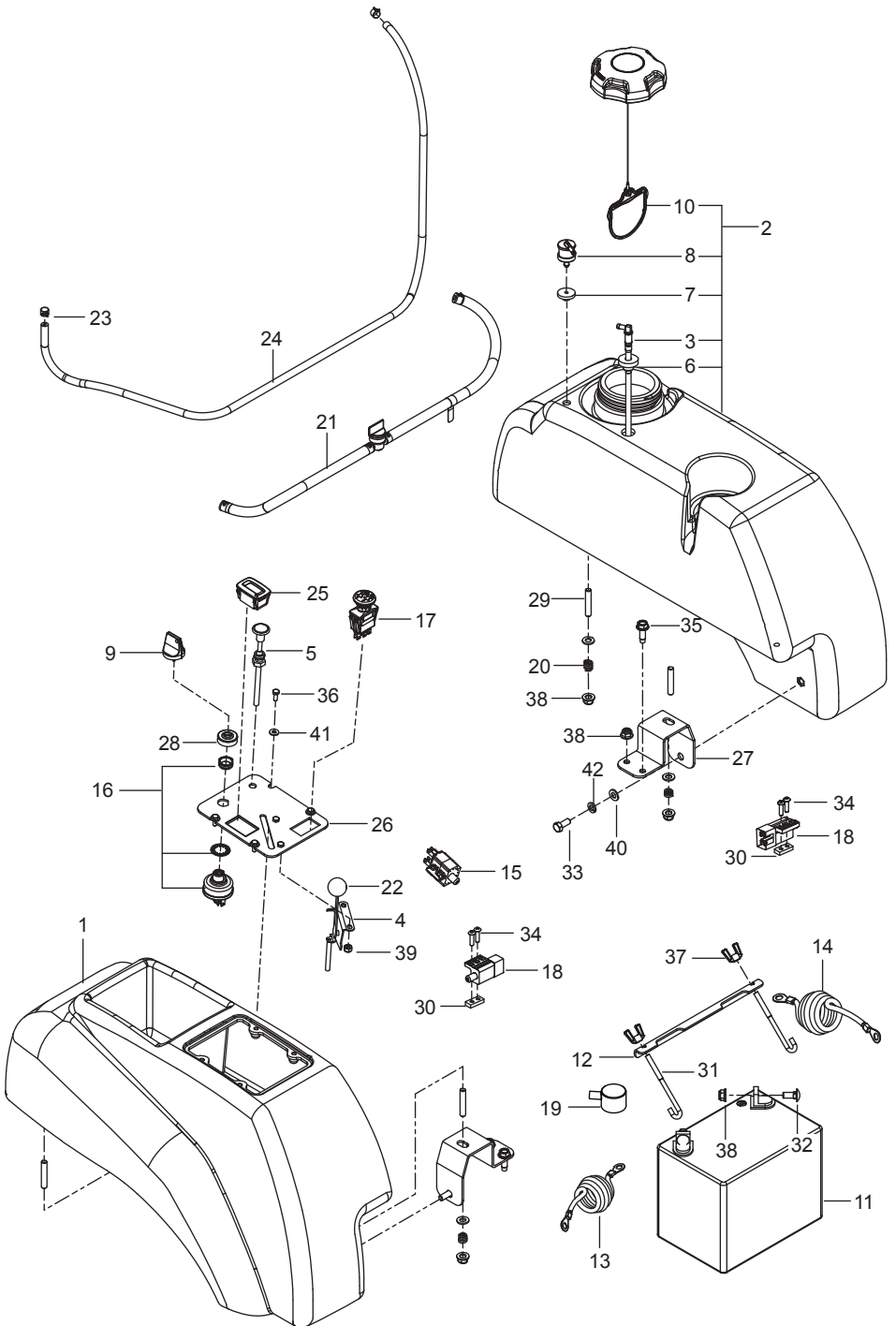
| Ref. | Part No. | Qty | Description | Kit / Assy Includes |
|------|--------------|-----|--|---------------------|
| 1 | 586 65 14-02 | 1 | Plate, Engine, Blk | |
| 2 | 586 67 04-02 | 1 | Plate, Idler Support, Blk | |
| 3 | 574 81 10-01 | 1 | Pulley, V, 1.125 Bore | |
| 4 | 539 97 66-88 | 1 | Pulley, Idler | |
| 5 | 532 17 58 20 | 1 | Pulley, Idler Secondary | |
| 6 | 574 87 09-01 | 1 | Belt | |
| 7 | 525 43 56-01 | 1 | Pivot, Idler | |
| 8 | 510 20 63-01 | 1 | Pivot, Bearing | |
| 9 | 510 04 16-03 | 1 | Arm, Idler w/ Bearings | |
| 10 | 574 60 70-01 | 1 | Clutch, 200 Ft-Lb | |
| 11 | 575 01 73-02 | 1 | Stop, Clutch Blk | |
| 12 | 539 10 27-57 | 1 | Cable, Positive | |
| 13 | 525 75 02-01 | 1 | Muffler | |
| 14 | 582 04 28-01 | 1 | Solenoid | |
| 15 | 510 25 44-01 | 1 | Spring, Pump | |
| 16 | 539 11 46-62 | 1 | Shield, Dust | |
| 17 | 510 25 45-01 | 2 | Shield, Dust | |
| 18 | 579 15 09-01 | 1 | Shield, Muffler | |
| 19 | 584 82 55-01 | 1 | Hose, Drain | |
| 20 | 522 59 90-01 | 1 | Adapter, Oil Drain | |
| 21 | 539 10 13-63 | 1 | Clamp | |
| 22 | 585 80 71-01 | 1 | Plug, Hose | |
| 23 | 539 91 27-57 | 1 | Key 1/4 Sq x 1-1/4 | |
| 24 | 586 83 97-01 | 2 | Gasket, Muffler | |
| 25 | 539 10 27-59 | 1 | Insulator | |
| 26 | 532 13 15-63 | 2 | Insulator | |
| 27 | 539 10 47-63 | 4 | Retainer, U Type 5/16-18 | |
| 28 | 872 14 06-10 | 1 | Bolt 3/8-16 x 1-1/4 Round Head Square Neck | |
| 29 | 872 14 06-22 | 1 | Bolt 3/8-16 x 2-3/4 Round Head Square Neck | |
| 30 | 872 11 05-08 | 2 | Bolt 5/16-18 x 1 Round Head Square Neck | |
| 31 | 581 33 28-02 | 1 | Bolt 7/16-20 x 2-1/2 Hex Head | |
| 32 | 874 78 08-52 | 1 | Bolt 1/2-13 x 3-1/4 Hex Head | |
| 33 | 874 49 06-32 | 1 | Bolt 3/8-16 x 2 Hex Flange Head | |
| 34 | 874 49 05-12 | 11 | Bolt 5/16-18 x 3/4 Hex Flange Head | |
| 35 | 874 78 04-08 | 1 | Bolt 1/4-20 x 1/2 | |
| 36 | 874 78 06-16 | 4 | Bolt 3/8-16 x 1 Hex Head | |
| 37 | 874 78 05-16 | 2 | Bolt 5/16-18 x 1 Hex Head | |
| 38 | 539 99 03-02 | 1 | Screw 1/4-20 x 3/8 Thread Form | |
| 39 | 873 40 06-00 | 1 | Nut 3/8-16 Hex Whiz Lock | |
| 40 | 539 11 28-99 | 15 | Nut 5/16-18 Hex Flange Nyloc | |
| 41 | 521 99 11-01 | 1 | Nut 1/2-13 Hex Flange Nyloc | |
| 42 | 539 20 02-82 | 4 | Nut 3/8-16 Hex Jam Nyloc | |
| 43 | 521 99 65-01 | 2 | Nut 3/8-16 Hex Flange Nyloc | |
| 44 | 539 10 81-20 | 2 | Nut 1/4-20 Hex Thin | |
| 45 | 539 99 00-53 | 1 | Washer 1/4 Internal Tooth Lock | |
| 46 | 539 11 55-28 | 1 | Washer 1/2 Belleville | |
| 47 | 539 99 02-47 | 1 | Washer 7/16 Slotted | |
| 48 | 539 10 95-62 | 1 | Washer 3/8 x 3/4 | |
| 49 | 819 11 11-16 | 2 | Washer 5/16 SAE Flat | |
| 50 | 819 18 22-12 | 2 | Washer 1/2 Flat | |
| 51 | 539 11 18-97 | 1 | Washer, Special | |
| 52 | 539 99 01-18 | 4 | Washer 3/8 Split Lock | |

STEERING



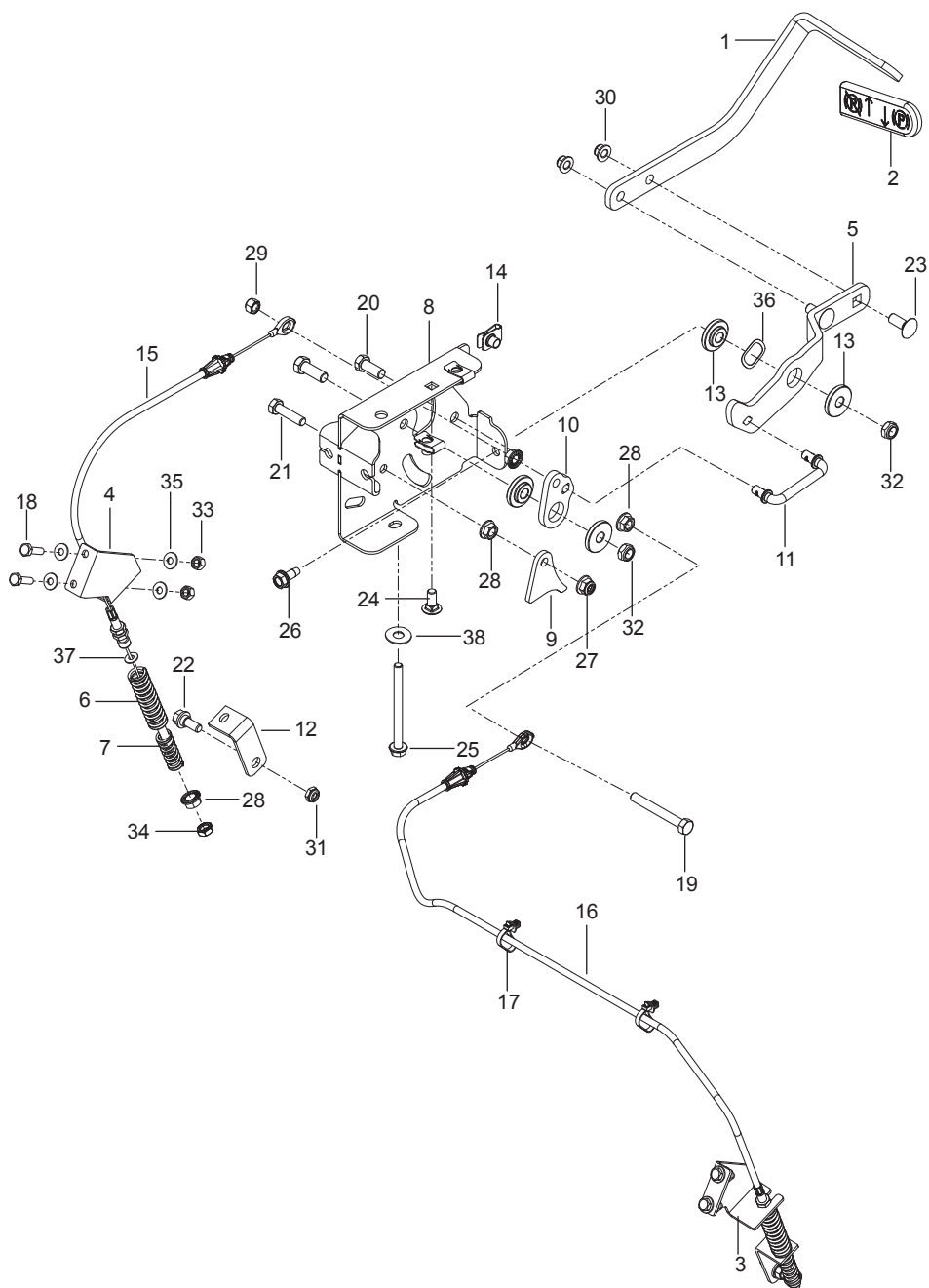
| Ref. | Part No. | Qty | Description | Kit / Assy Includes |
|------|--------------|-----|------------------------------------|---------------------|
| 1 | 590 09 08-03 | 1 | Lever w/ Grip Right Blk | |
| 2 | 590 09 08-04 | 1 | Lever w/ Grip Left Blk | |
| 3 | 525 39 29-02 | 2 | Grip, Foam | |
| 4 | 585 12 47-05 | 2 | Bracket, Control | |
| 5 | 532 43 82-82 | 4 | Bearing | |
| 6 | 587 18 77 01 | 2 | Lever, Control | |
| 7 | 577 42 00-01 | 2 | Lever, Handle | |
| 8 | 584 92 72-01 | 2 | Spacer, Pivot Control | |
| 9 | 539 10 27-20 | 2 | Dampener | |
| 10 | 581 43 75-01 | 2 | Block, Tracking | |
| 11 | 539 10 28-45 | 1 | Spring | |
| 12 | 576 85 03-01 | 1 | Spring | |
| 13 | 539 13 17-99 | 1 | Knob | |
| 14 | 574 81 14-01 | 2 | Rod, Motion Control | |
| 15 | 539 11 66-89 | 2 | Coupler, Rod End | |
| 16 | 588 69 25 02 | 2 | Rod End Left | |
| 17 | 579 76 46-01 | 2 | Rod End Right | |
| 18 | 575 25 65-01 | 2 | Assembly, Control Linkage | |
| 19 | 874 78 05-20 | 5 | Bolt 5/16-18 x 1-1/4 Hex Head | |
| 20 | 874 78 08 44 | 2 | Bolt 1/2-13 x 2-3/4 Hex Head | |
| 21 | 539 97 69-35 | 4 | Bolt 5/16-18 x 1-1/2 Hex Head | |
| 22 | 525 54 40-01 | 4 | Bolt 5/16-18 x 1-1/4 Tap | |
| 23 | 874 49 05 12 | 8 | Bolt 5/16-18 x 3/4 Hex Flange Head | |
| 24 | 576 85 04-02 | 2 | Screw 5/16-18 x 1-3/4 Button Head | |
| 25 | 539 99 05-85 | 4 | Nut 5/16-18 Hex Whiz Lock | |
| 26 | 539 10 80-10 | 2 | Nut 1/2-13 Hex Jam Nyloc Grade 2 | |
| 27 | 539 99 07-17 | 6 | Nut 5/16-18 Hex Nyloc | |
| 28 | 539 11 28-99 | 10 | Nut 5/16-18 Hex Flange Nyloc | |
| 29 | 819 11 11-16 | 12 | Washer 5/16 SAE Flat | |

IGNITION SYSTEM



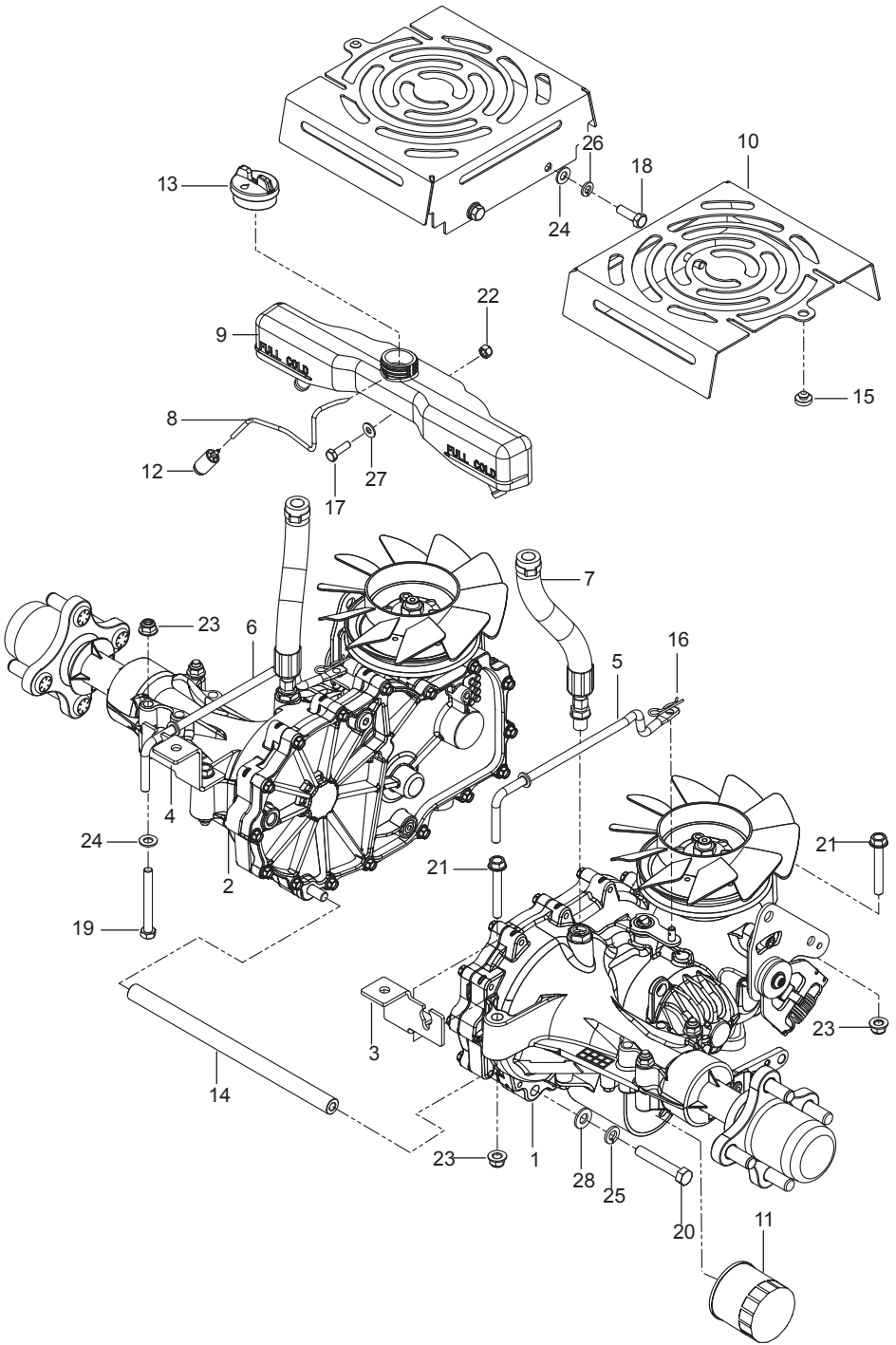
| Ref. | Part No. | Qty | Description | Kit / Assy Includes |
|------|--------------|-----|--------------------------------------|---------------------|
| 1 | 539 10 75-93 | 1 | Console, Right Gry | |
| 2 | 585 72 23-03 | 1 | Assembly, Tank Left Gry | |
| 3 | 576 46 92-01 | 1 | Fitting, Fuel | |
| 4 | 539 11 24 38 | 1 | Control, Throttle | |
| 5 | 574 20 69-03 | 1 | Control, Choke | |
| 6 | 539 10 52-45 | 1 | Grommet, Rubber | |
| 7 | 576 61 82-01 | 1 | Grommet, Check Valve | |
| 8 | 576 61 81-01 | 1 | Valve, Fuel Check | |
| 9 | 574 45 55-01 | 1 | Key | |
| 10 | 575 01 81-01 | 1 | Fuel Cap w /Tether | |
| 11 | 539 10 24-36 | 1 | Battery | |
| 12 | 588 10 72-01 | 1 | Bracket, Battery Mount | |
| 13 | 588 03 07-01 | 1 | Cable, Battery Pos Red | |
| 14 | 588 03 08-01 | 1 | Cable, Battery Neg Blk | |
| 15 | 532 19 78-02 | 1 | Switch, Brake | |
| 16 | 574 45 54-01 | 1 | Switch, Ignition | |
| 17 | 582 10 76-02 | 1 | Switch, PTO | |
| 18 | 532 10 95-53 | 2 | Switch, Interlock | |
| 19 | 532 43 53-95 | 1 | Cover, Terminal | |
| 20 | 539 10 28-45 | 6 | Spring | |
| 21 | 586 12 39-03 | 1 | Assembly, Fuel Hose | |
| 22 | 539 13 30-49 | 1 | Knob | |
| 23 | 575 43 65-01 | 2 | Clamp, Hose | |
| 24 | 587 04 45-27 | 1 | Hose 3/16 Vapor | |
| 25 | 586 16 18-01 | 1 | Meter, Service | |
| 26 | 574 84 12-03 | 1 | Plate, Console, Blk | |
| 27 | 539 13 16-71 | 2 | Support, Tank Blk | |
| 28 | 539 10 31-78 | 1 | Nutcap, Switch | |
| 29 | 539 10 25-02 | 6 | Stud, Tank | |
| 30 | 581 22 30-01 | 2 | Plate, Nut | |
| 31 | 510 06 40-01 | 2 | Hook, J | |
| 32 | 539 99 03-16 | 2 | Bolt 5/16-18 x 3/4 Rd Hd Square Neck | |
| 33 | 539 97 69-34 | 2 | Bolt 5/16-18 x 3/4 Hex Head | |
| 34 | 574 82 27-01 | 4 | Screw #10-24 x 3/4 Socket Head | |
| 35 | 539 99 04-11 | 6 | Screw #10-24 x 1/2 Slotted Hex Head | |
| 36 | 817 49 05-16 | 3 | Screw 5/16-18 x 1 Washer Head | |
| 37 | 539 99 09-97 | 2 | Nut 1/4-20 Wing Nut Nyloc | |
| 38 | 539 11 28-99 | 13 | Nut 5/16-18 Hex Flange Nyloc | |
| 39 | 539 97 69-77 | 2 | Nut #10-24 Hex Nylon Ring | |
| 40 | 819 11 11-16 | 8 | Washer 5/16 SAE Flat | |
| 41 | 819 07 08-18 | 4 | Washer 1/2 18 Gauge | |
| 42 | 810 03 05-00 | 2 | Washer, Slotted Lock | |
| | NOT SHOWN | | | |
| | 585 99 97-01 | 1 | Harness, Wiring | |

PARKING BRAKE



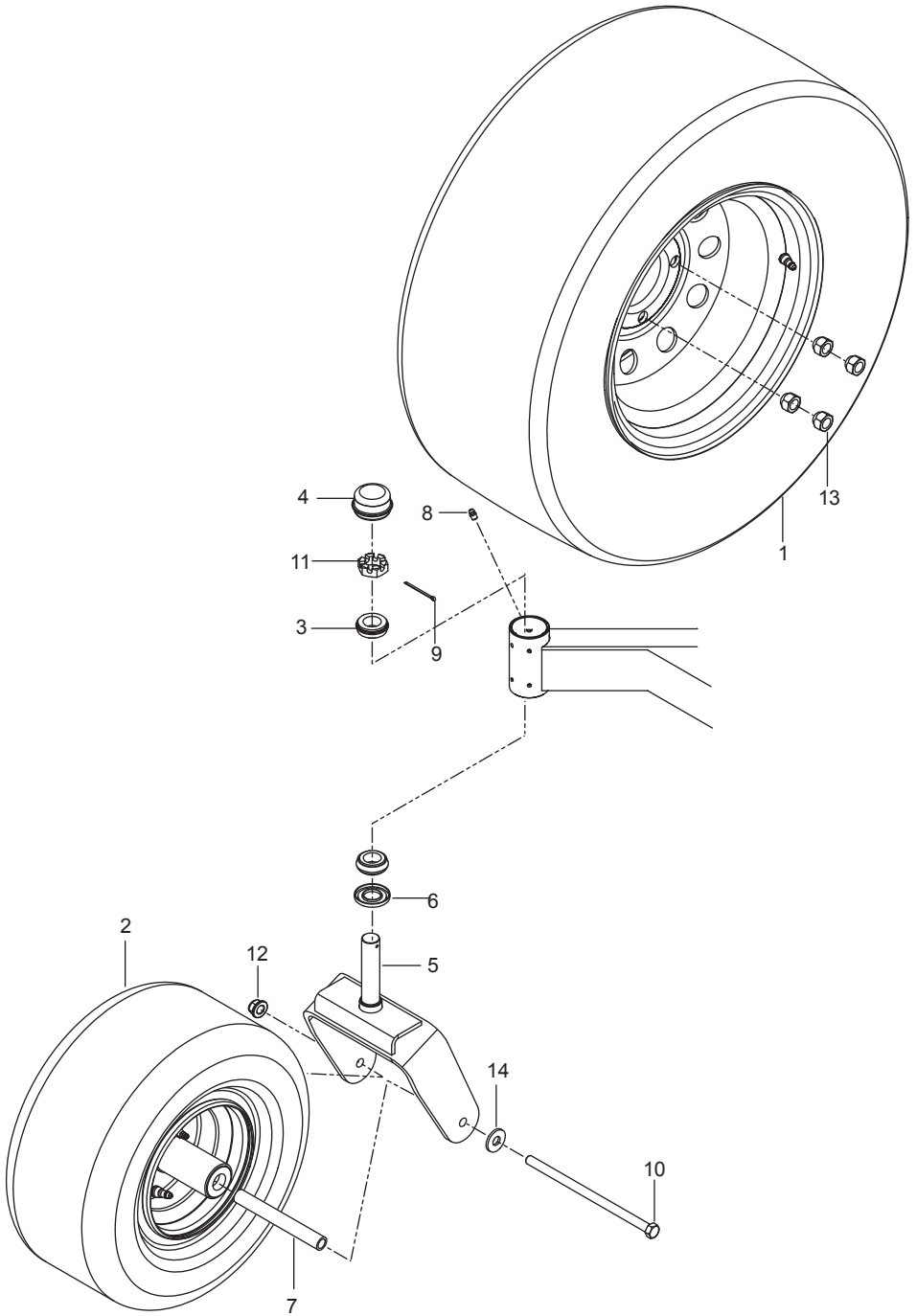
| Ref. | Part No. | Qty | Description | Kit / Assy Includes |
|------|--------------|-----|--|---------------------|
| 1 | 539 13 21-51 | 1 | Arm, Brake | |
| 2 | 539 10 50-36 | 1 | Grip, Brake Handle | |
| 3 | 575 22 96-02 | 1 | Bracket, Right Blk | |
| 4 | 575 22 97-02 | 1 | Bracket, Left Blk | |
| 5 | 586 73 88-02 | 1 | Lever, Brake | |
| 6 | 575 23 02-01 | 2 | Spring, Return | |
| 7 | 575 23 03-01 | 2 | Spring, Engagement | |
| 8 | 586 83 00-02 | 1 | Mount, Brake | |
| 9 | 539 13 21-54 | 1 | Actuator, Switch | |
| 10 | 539 13 21-53 | 1 | Bellcrank, Brake | |
| 11 | 539 13 24-24 | 1 | Linkage, Brake | |
| 12 | 575 22 98-02 | 2 | Bracket, Brake | |
| 13 | 539 13 21-61 | 4 | Bushing, Brake | |
| 14 | 539 10 47-63 | 3 | Retainer, U Type 5/16-18 | |
| 15 | 582 12 18-01 | 1 | Cable, Brake Short | |
| 16 | 582 12 20-01 | 2 | Cable, Brake Long | |
| 17 | 505 28 00-01 | 2 | Tie Wrap w/ Clip | |
| 18 | 539 99 06-43 | 4 | Bolt 1/4-20 x 7/8 Hex Head | |
| 19 | 539 10 83-96 | 1 | Bolt 5/16-18 x 2-1/2 Hex Head Tap | |
| 20 | 539 99 05-63 | 2 | Bolt 3/8-16 x 1 Hex Head | |
| 21 | 539 99 02-09 | 1 | Bolt 5/16-18 x 1 Hex Head | |
| 22 | 539 11 03-03 | 2 | Bolt 5/16 Shoulder | |
| 23 | 872 14 06-08 | 2 | Bolt 3/8-16 x 1 Round Head Square Neck | |
| 24 | 539 99 03-16 | 1 | Bolt 5/16-18 x 3/4 | |
| 25 | 539 13 17-80 | 1 | Bolt 5/16-18 x 3-3/4 Hex Flange Head | |
| 26 | 874 49 05-12 | 1 | Bolt 5/16-18 x 3/4 Hex Flange Head | |
| 27 | 539 11 28-99 | 2 | Nut 5/16-18 Hex Flange Nyloc | |
| 28 | 539 99 05-85 | 5 | Nut 5/16-18 Hex Whiz Lock | |
| 29 | 539 99 07-17 | 1 | Nut 5/16-18 Hex Nyloc | |
| 30 | 521 99 65-01 | 2 | Nut 3/8-16 Hex Flange Nyloc | |
| 31 | 539 11 56-17 | 2 | Nut 5/16 Hex Nyloc | |
| 32 | 539 20 02-82 | 2 | Nut 3/8-16 Hex Jam Nyloc | |
| 33 | 539 97 69-78 | 4 | Nut 1/4-20 Hex Nyloc | |
| 34 | 539 10 78-97 | 2 | Nut 5/16-18 Hex Jam | |
| 35 | 539 99 00-55 | 8 | Washer 1/4 SAE Flat | |
| 36 | 539 13 30-07 | 1 | Washer, Wave | |
| 37 | 539 99 01-22 | 2 | Washer 3/8 SAE | |
| 38 | 819 18 22-12 | 1 | Washer 1/2 | |

HYDRAULIC PUMP-MOTOR



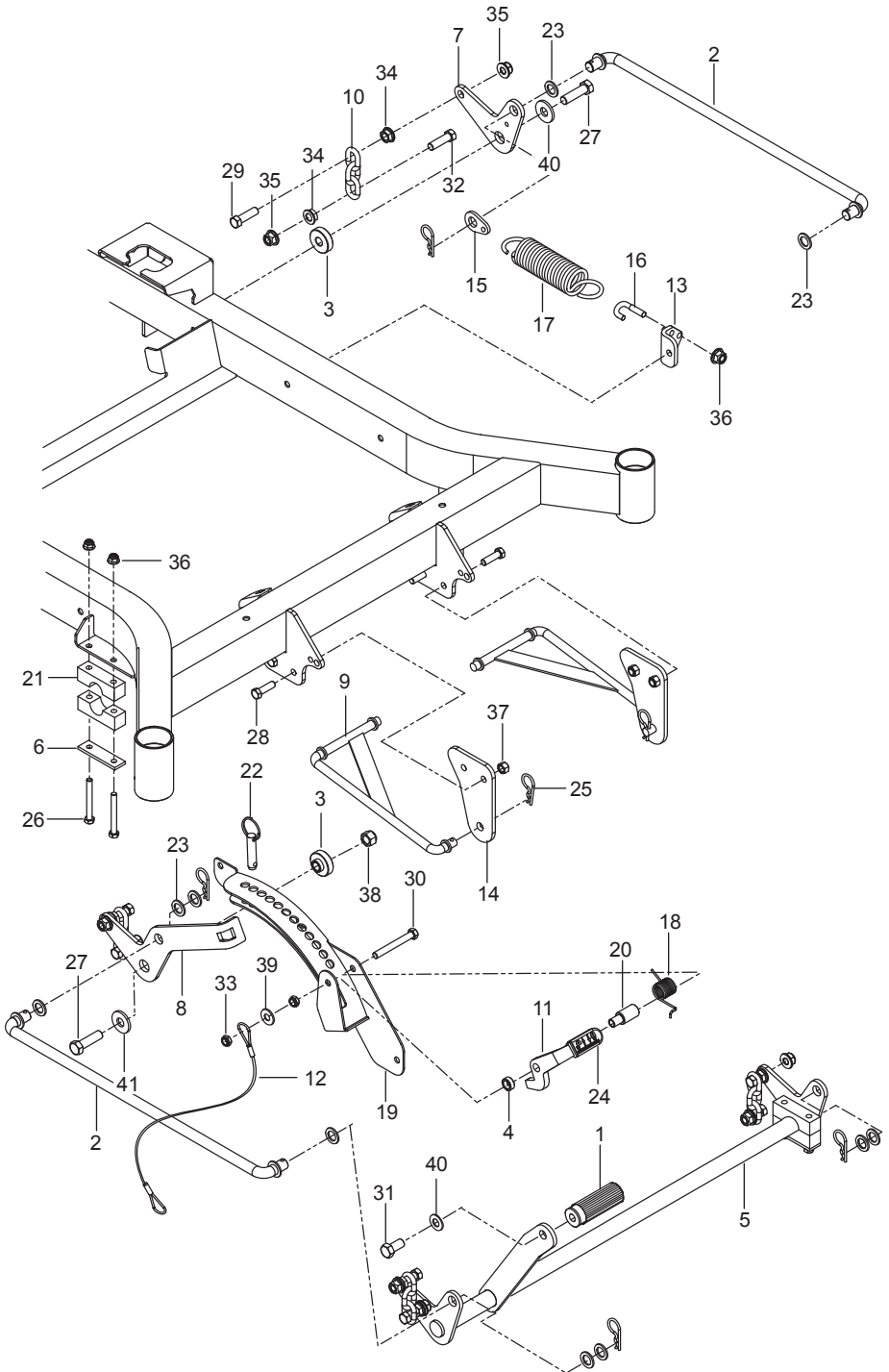
| Ref. | Part No. | Qty | Description | Kit / Assy Includes |
|------|--------------|-----|--------------------------------------|---------------------|
| 1 | 574 56 91-01 | 1 | Trans, ZT-3400, Left | |
| 2 | 574 56 91-02 | 1 | Trans, ZT-3400, Right | |
| 3 | 575 01 71-02 | 1 | Bracket, Trans, Left | |
| 4 | 575 01 70-02 | 1 | Bracket, Trans, Right | |
| 5 | 539 13 16-16 | 1 | Linkage, Bypass Left | |
| 6 | 539 13 16-18 | 1 | Linkage, Bypass Right | |
| 7 | 574 89 21-01 | 2 | Hose, Expansion | |
| 8 | 586 06 75-01 | 1 | Hose, Fuel | |
| 9 | 585 31 82-01 | 1 | Tank, Expansion Assy | 8, 12, 13 |
| 10 | 584 99 42-02 | 2 | Cover, Fan | |
| 11 | 539 11 34-66 | 2 | Filter, Hydro | |
| 12 | 530 09 56-46 | 1 | Filter | |
| 13 | 586 07 27-01 | 1 | Cap, Tank | |
| 14 | 574 86 85-01 | 1 | Tube, Spacer | |
| 15 | 539 10 25-87 | 2 | Grommet, Bumper | |
| 16 | 539 97 69-88 | 2 | Hairpin Cotter | |
| 17 | 539 99 06-43 | 1 | Bolt 1/4-20 x 7/8 Hex Head | |
| 18 | 539 99 02-09 | 4 | Bolt 5/16-18 x 1 Hex Head | |
| 19 | 539 10 17-21 | 4 | Bolt 5/16-18 x 2-3/4 Hex Head | |
| 20 | 539 10 85-51 | 2 | Bolt 3/8-16 x 2-1/2 Hex Head Grade 8 | |
| 21 | 574 23 38-01 | 4 | Bolt 5/16-18 x 2-1/4 Hex Flange Head | |
| 22 | 539 97 69-78 | 1 | Nut 1/4-20 Hex Nyloc | |
| 23 | 539 11 28-99 | 8 | Nut 5/16-18 Hex Flange Nyloc | |
| 24 | 539 99 01-88 | 8 | Washer 5/16 SAE Flat | |
| 25 | 539 99 01-18 | 2 | Washer 3/8 Split Lock | |
| 26 | 539 99 01-87 | 4 | Washer 5/16 Slotted Lock | |
| 27 | 539 99 00-55 | 1 | Washer 1/4 SAE Flat | |
| 28 | 539 99 01-22 | 2 | Washer 3/8 SAE Flat | |

WHEELS & TIRES



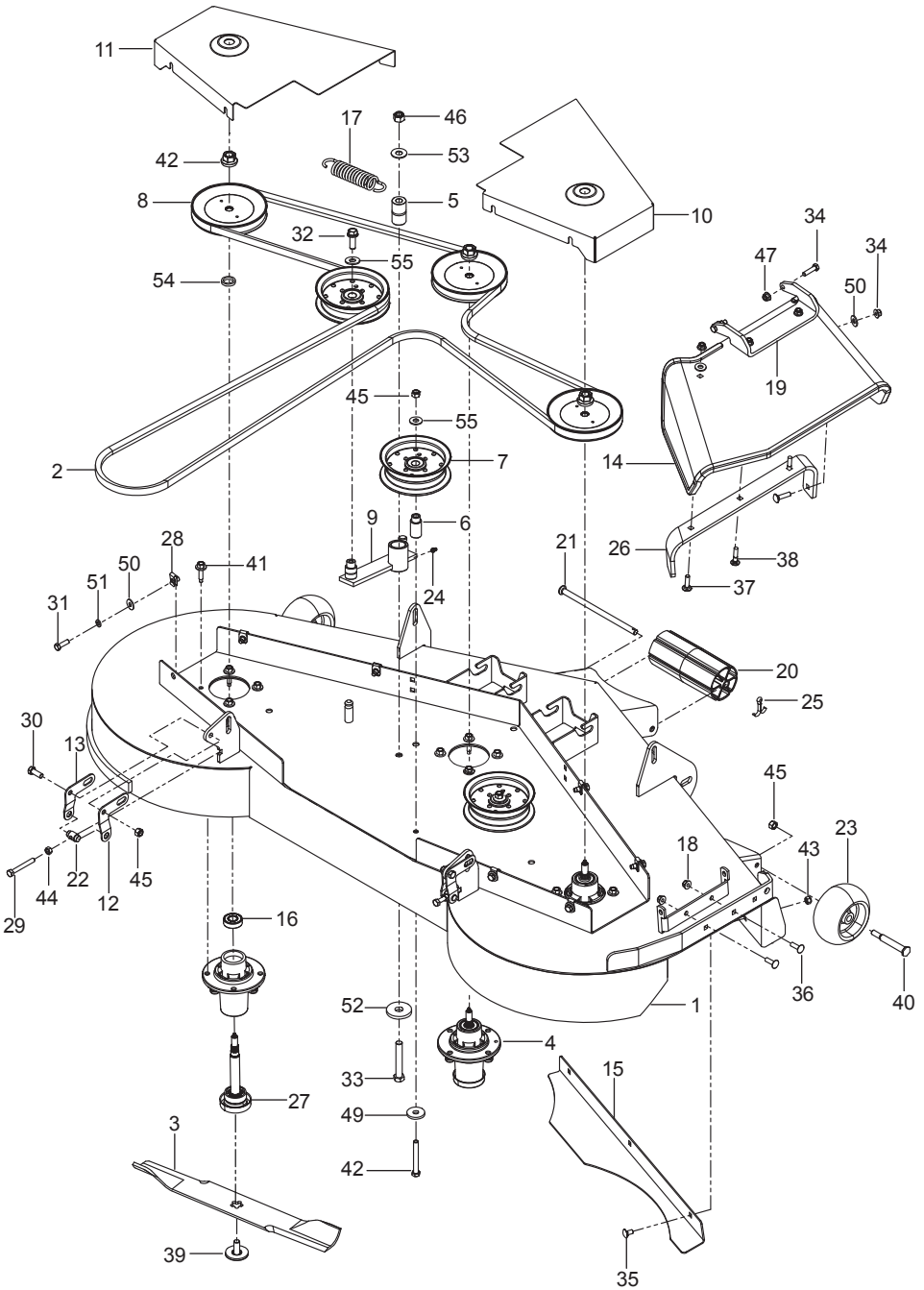
| Ref. | Part No. | Qty | Description | Kit / Assy Includes |
|------|--------------|-----|------------------------------|---------------------|
| 1 | 586 95 54-01 | 2 | Assembly, Wheel 23 x 10.5-12 | |
| | 582 74 64-01 | 2 | Tire, 23 x 10.5-12 | |
| 2 | 581 19 95-01 | 2 | Assembly, Wheel 13 x 6.5 | |
| 3 | 539 10 25-43 | 4 | Bearing | |
| 4 | 539 10 25-35 | 2 | Cap, Grease | |
| 5 | 586 92 19-02 | 2 | Yoke, Caster, Org | |
| 6 | 539 10 28-51 | 2 | Seal | |
| 7 | 575 33 49-01 | 2 | Spacer, Pivot | |
| 8 | 539 10 14-74 | 2 | Zerk | |
| 9 | 539 10 28-89 | 2 | Pin 1/8 x 2 Cotter | |
| 10 | 539 10 55-17 | 2 | Bolt 1/2-13 x 9-1/2 Hex Head | |
| 11 | 539 10 28-52 | 2 | Nut 1-14 Slotted Jam | |
| 12 | 521 99 11-01 | 2 | Nut 1/2-13 Hex Flange Nyloc | |
| 13 | 539 10 11-73 | 8 | Nut 1/2-20 Lug | |
| 14 | 539 10 95-54 | 2 | Washer 1/2 Flat | |

MOWER LIFT / DECK LIFT



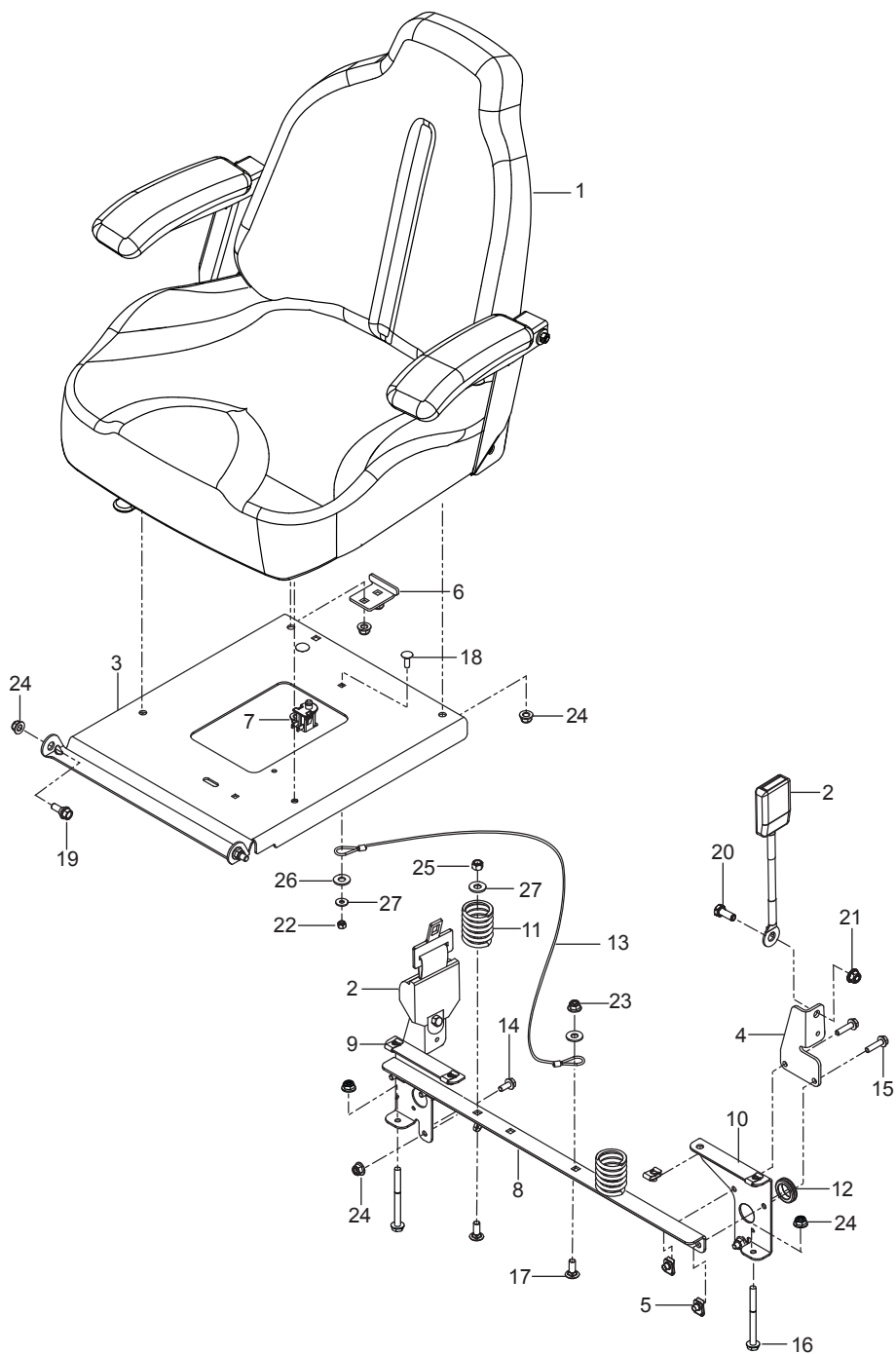
| Ref. | Part No. | Qty | Description | Kit / Assy Includes |
|------|--------------|-----|--------------------------------------|---------------------|
| 1 | 510 40 83-01 | 1 | Pedal, Foot | |
| 2 | 539 11 08-08 | 2 | Link, Deck Lift | |
| 3 | 586 70 17-01 | 2 | Spacer, Idler | |
| 4 | 539 13 18-61 | 1 | Spacer | |
| 5 | 586 92 87-02 | 1 | Shaft, Front Lift Blk | |
| 6 | 584 39 27-02 | 2 | Plate, Reinforcement | |
| 7 | 539 13 18-97 | 1 | Bellcrank, Rear, Lift Blk | |
| 8 | 539 13 18-53 | 1 | Bellcrank, Rear, Right Blk | |
| 9 | 539 11 22-23 | 2 | Linkage, Strut | |
| 10 | 539 10 96-93 | 4 | Lift Chain-3 Link | |
| 11 | 539 13 15-66 | 1 | Latch, Transport | |
| 12 | 539 10 50-59 | 1 | Lanyard | |
| 13 | 539 13 17-91 | 1 | Mount, Spring | |
| 14 | 539 13 20-17 | 2 | Mount, Strut | |
| 15 | 539 13 17-92 | 1 | Tab, Spring | |
| 16 | 539 11 28-96 | 1 | J-Bolt | |
| 17 | 539 10 26-42 | 1 | Spring | |
| 18 | 539 13 27-34 | 1 | Spring, Torsion | |
| 19 | 539 13 18-50 | 1 | Height Adjust, Deck | |
| 20 | 539 13 18-60 | 1 | Pivot Latch, Transport | |
| 21 | 539 10 48-08 | 4 | Pillow Block | |
| 22 | 539 13 21-82 | 1 | Pin 1/2 x 1-1/2 Detent Ring | |
| 23 | 539 99 10-43 | 10 | Bushing 5/8 | |
| 24 | 539 13 28-51 | 1 | Grip | |
| 25 | 539 11 55-01 | 6 | Pin, Cotter 1-3/4 | |
| 26 | 539 10 17-21 | 4 | Bolt 5/16-18 x 2-3/4 Hex Head | |
| 27 | 539 10 81-81 | 2 | Bolt 1/2-13 x 1-3/4 Hex Head Grade 8 | |
| 28 | 539 99 05-63 | 4 | Bolt 3/8-16 x 1 Hex Head | |
| 29 | 539 10 11-75 | 4 | Bolt 7/16-14 x 1-1/2 Hex Head | |
| 30 | 874 78 06-48 | 1 | Bolt 3/8-16 x 3 Hex Head | |
| 31 | 539 99 06-46 | 1 | Bolt 1/2-13 x 1 Hex Head | |
| 32 | 539 10 80-73 | 4 | Bolt 7/16-14 x 1-3/4 Hex Head | |
| 33 | 539 20 02-82 | 2 | Nut 3/8-16 Hex Jam Nyloc | |
| 34 | 539 13 20-19 | 8 | Nut 7/16-14 Hex Whiz Lock Smooth | |
| 35 | 539 10 25-82 | 8 | Nut 7/16-14 Hex Whiz Lock Heavy | |
| 36 | 539 11 28-99 | 5 | Nut 5/16-18 Hex Flange Nyloc | |
| 37 | 539 97 69-79 | 4 | Nut 3/8-16 Hex Nyloc | |
| 38 | 539 10 13-31 | 4 | Nut 1/2-13 Hex Nyloc | |
| 39 | 819 14 14-16 | 1 | Washer 3/8 Flat | |
| 40 | 539 11 55-28 | 1 | Washer 1/2 Spring | |
| 41 | 539 10 95-54 | 2 | Washer 1/2 Flat | |

MOWER DECK / CUTTING DECK



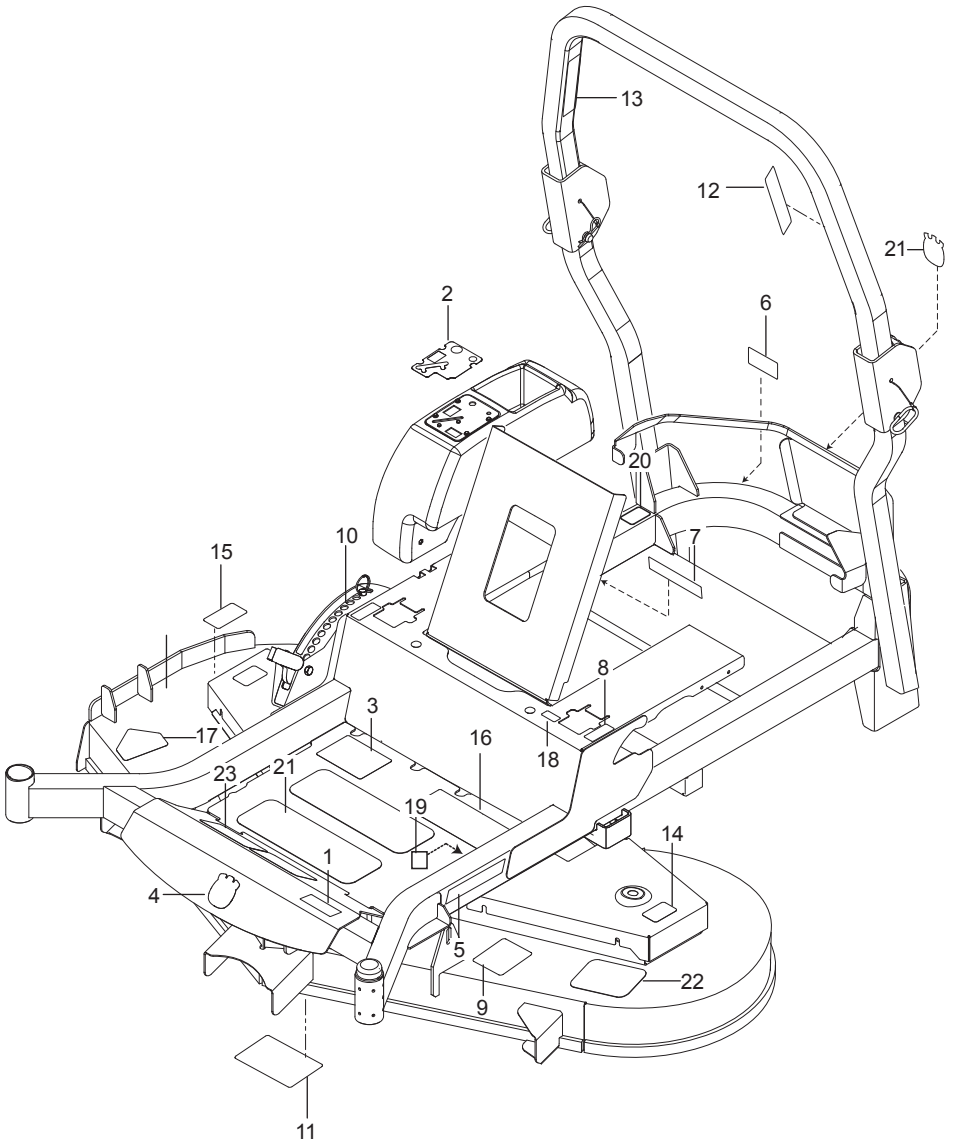
| Ref. | Part No. | Qty | Description | Kit / Assy Includes |
|------|--------------|-----|--|---------------------|
| 1 | 581 50 54-01 | 1 | Deck w/ Safety Decals | |
| 2 | 539 10 43-35 | 1 | Belt, Deck | |
| 3 | 539 11 33-12 | 3 | Blade, 21" | |
| 4 | 539 13 18-98 | 3 | Assembly, Spindle | |
| 5 | 539 10 34-27 | 1 | Bushing, Pivot | |
| 6 | 539 11 21-69 | 2 | Bushing, Idler | |
| 7 | 539 13 27-28 | 3 | Pulley, Idler | |
| 8 | 539 11 33-00 | 3 | Pulley | |
| 9 | 539 11 21-98 | 1 | Arm, Idler | |
| 10 | 539 11 33-21 | 1 | Belt Shield, Right Org | |
| 11 | 539 11 33-24 | 1 | Belt Shield, Left Org | |
| 12 | 584 85 94-02 | 2 | Pitch Adjust, Right | |
| 13 | 584 85 94-04 | 2 | Pitch Adjust, Left | |
| 14 | 539 13 09-01 | 1 | Chute, Discharge | |
| 15 | 539 11 33-18 | 1 | Plate, Confinement | |
| 16 | 532 11 04-85 | 3 | Bearing, Ball | |
| 17 | 539 10 32-56 | 1 | Spring | |
| 18 | 581 60 61-02 | 1 | Bracket Org | |
| 19 | 539 13 09-17 | 1 | Bracket | |
| 20 | 532 17 60-66 | 1 | Roller, Nose | |
| 21 | 532 17 91-27 | 1 | Rod, Roller, Nose | |
| 22 | 539 13 18-59 | 2 | Trunion, Pitch | |
| 23 | 532 13 39-57 | 2 | Wheel, Gauge | |
| 24 | 539 97 69-98 | 1 | Zerk | |
| 25 | 876 02 04-12 | 1 | Pin 1/8 x 3/4 Cotter | |
| 26 | 539 13 09-20 | 1 | Reinforcement, Bracket | |
| 27 | 532 18 72-91 | 3 | Shaft, Spindle | |
| 28 | 539 10 47-63 | 8 | Retainer, U Type 5/16-18 | |
| 29 | 539 10 83-96 | 2 | Bolt 5/16-18 x 2-1/2 Hex Head Tap | |
| 30 | 539 99 05-63 | 2 | Bolt 3/8-16 x 1 Hex Head | |
| 31 | 539 97 69-34 | 8 | Bolt 5/16-18 x 3/4 Hex Head | |
| 32 | 539 99 05-82 | 1 | Bolt 3/8-16 x 1 Whiz Lock Hex Head | |
| 33 | 539 10 34-33 | 1 | Bolt 1/2-13 x 3-1/4 Hex Head | |
| 34 | 874 78 05-20 | 2 | Bolt 5/16-18 x 1-1/4 Hex Head | |
| 35 | 539 99 07-99 | 3 | Bolt 5/16-18 x 5/8 Rd Head Square Neck | |
| 36 | 539 10 72-71 | 2 | Bolt 5/16-18 x 1 Rd Head Square Neck | |
| 37 | 539 10 04-72 | 2 | Bolt 5/16-18 x 1-1/4 Rd Head Square Neck | |
| 38 | 539 10 29-33 | 2 | Bolt 5/16-18 x 1-1/2 Rd Head Square Neck | |
| 39 | 532 19 30-03 | 3 | Bolt 7/16 Blade | |
| 40 | 532 13 76-44 | 2 | Bolt 3/8-16 x 3-3/8 Shoulder | |
| 41 | 584 95 39-01 | 12 | Bolt, Washer Head | |
| 42 | 874 78 06-48 | 2 | Bolt 3/8-16 x 3 Hex Head | |
| 43 | 539 99 07-17 | 3 | Nut 5/16-18 Hex Nyloc | |
| 44 | 539 99 01-96 | 2 | Nut 5/16-18 Hex | |
| 45 | 539 97 69-79 | 6 | Nut 3/8-16 Hex Nyloc | |
| 46 | 539 10 13-31 | 1 | Nut 1/2 Hex Nyloc | |
| 47 | 539 11 28-99 | 8 | Nut 5/16-18 Hex Flange Nyloc | |
| 48 | 532 40 02-34 | 3 | Nut 9/16 Top Center Lock | |
| 49 | 539 10 65-04 | 2 | Washer, Heavy | |
| 50 | 539 99 06-92 | 11 | Washer 5/16 Flat | |
| 51 | 539 10 96-00 | 8 | Washer 5/16 Spring | |
| 52 | 539 10 22-43 | 1 | Washer, Support | |
| 53 | 819 18 22-12 | 1 | Washer 9/16 Flat | |
| 54 | 532 18 76-90 | 3 | Washer, Spacer | |
| 55 | 539 99 05-17 | 3 | Washer 3/8 Flat | |

SEAT



| Ref. | Part No. | Qty | Description | Kit / Assy Includes |
|------|--------------|-----|--|---------------------|
| 1 | 501 58 04-02 | 1 | Assembly, Seat | |
| 2 | 539 13 03-59 | 1 | Assembly, Seat Belt | |
| 3 | 501 76 21-02 | 1 | Mount, Seat | |
| 4 | 584 91 68-02 | 2 | Mount, Seat Belt | |
| 5 | 539 10 47-63 | 8 | Retainer, U Type | |
| 6 | 539 13 07-93 | 1 | Deck Stop | |
| 7 | 539 11 97-41 | 1 | Switch, Seat | |
| 8 | 584 80 91-02 | 1 | Support, Seat Blk | |
| 9 | 584 99 01-02 | 1 | Support, Right Blk | |
| 10 | 584 99 02-02 | 1 | Support, Left Blk | |
| 11 | 587 61 33-01 | 2 | Spring, Seat Blk | |
| 12 | 539 10 59-74 | 1 | Grommet Rubber | |
| 13 | 539 10 32-47 | 1 | Lanyard, Seat | |
| 14 | 874 49 05-12 | 2 | Bolt 5/16-18 x 3/4 Hex Flange Head | |
| 15 | 525 54 40-01 | 4 | Bolt 5/16-18 x 1-1/4 Hex Flange Head | |
| 16 | 874 49 05-60 | 2 | Bolt 5/16-18 x 3-3/4 Hex Flange Head | |
| 17 | 539 99 06-45 | 3 | Bolt 3/8-16 x 1 Round Head Square Neck | |
| 18 | 539 11 56-20 | 1 | Bolt 1/4-20 x 3/4 Round Head Square Neck | |
| 19 | 539 13 08-96 | 2 | Bolt 5/16-18 Shoulder | |
| 20 | 539 12 47-75 | 2 | Bolt 7/16-20 x 1 Hex Head | |
| 21 | 539 99 03-94 | 2 | Nut 7/16-20 Hex Lock | |
| 22 | 539 97 69-78 | 1 | Nut 1/4-20 Hex Nyloc | |
| 23 | 521 99 65-01 | 1 | Nut 3/8-16 Hex Flange Nyloc | |
| 24 | 539 11 28-99 | 10 | Nut 5/16-18 Hex Flange Nyloc | |
| 25 | 873 80 06-00 | 2 | Nut 3/8-16 Hex Nyloc | |
| 26 | 819 09 12-16 | 1 | Washer 1/4 Flat | |
| 27 | 819 14 16-14 | 4 | Washer 3/8 Flat | |

DECALS



| Ref. | Part No. | Qty | Description |
|------|--------------|-----|--------------------------|
| 1 | 581 51 37-01 | 1 | Decal, M-ZT 61 |
| 2 | 578 84 11-03 | 1 | Decal, Console |
| 3 | 586 34 25-01 | 1 | Decal, Start |
| 4 | 532 42 86-76 | 1 | Decal, Crown H, Small |
| 5 | 532 42 91-96 | 2 | Decal, Husqvarna |
| 6 | 539 10 57-44 | 1 | Decal, Danger Belt Drive |
| 7 | 539 10 57-45 | 1 | Decal, Battery Warning |
| 8 | 589 28 30-01 | 2 | Decal, Motion Control |
| 9 | 539 11 26-20 | 1 | Decal, Belt Routing |
| 10 | 539 13 20-39 | 1 | Decal, Height Adjust |
| 11 | 539 13 21-87 | 1 | Decal, Service |
| 12 | 574 56 90-02 | 1 | Decal, ROPS, Warning |
| 13 | 574 56 90-05 | 1 | Decal, ROPS |
| 14 | 581 72 43-01 | 2 | Decal, No Step |
| 15 | 581 72 44-01 | 1 | Decal, Deflector |
| 16 | 583 93 40-01 | 1 | Decal, Warning |
| 17 | 584 90 46-01 | 1 | Decal, Blade Warning |
| 18 | 585 14 26 01 | 2 | Decal, Tracking |
| 19 | 581 72 41-02 | 1 | Decal, 80 DBA Australia |
| 20 | 501 08 26-01 | 1 | Decal, ECM Australia |
| 21 | 574 45 50-01 | 1 | Decal, Crown H, Large |
| 22 | 539 97 77-78 | 2 | Pad, Abrasive Large |
| 23 | 539 12 13-22 | 3 | Pad, Abrasive Small |



www.husqvarna.com

2018-01-15