



Husqvarna[®]



Parts Manual

V 548 / 967 672502-00

Please read the operator manual carefully and make sure you understand the instructions before using the machine.

Gasoline containing a maximum of 10% ethanol (E10) is permitted for use in this machine. The use of gasoline with more than 10% ethanol (E10) will void the product warranty.



When you need spare parts or support in service questions, warranty issues, etc., please consult the following professional:

| | | |
|-------------------------------------------------------------------|--------|--------------|
| | | |
| This manual belongs to the machine with the manufacturing number: | Engine | Transmission |

Manufacturing Number

The machine's manufacturing number can be found on the printed plate affixed to the engine compartment.

Stated on the plate, from the top are:

- The machine's type designation (I.D.)
- The manufacturer's type number (Model)
- The machine's serial number (Serial no.)

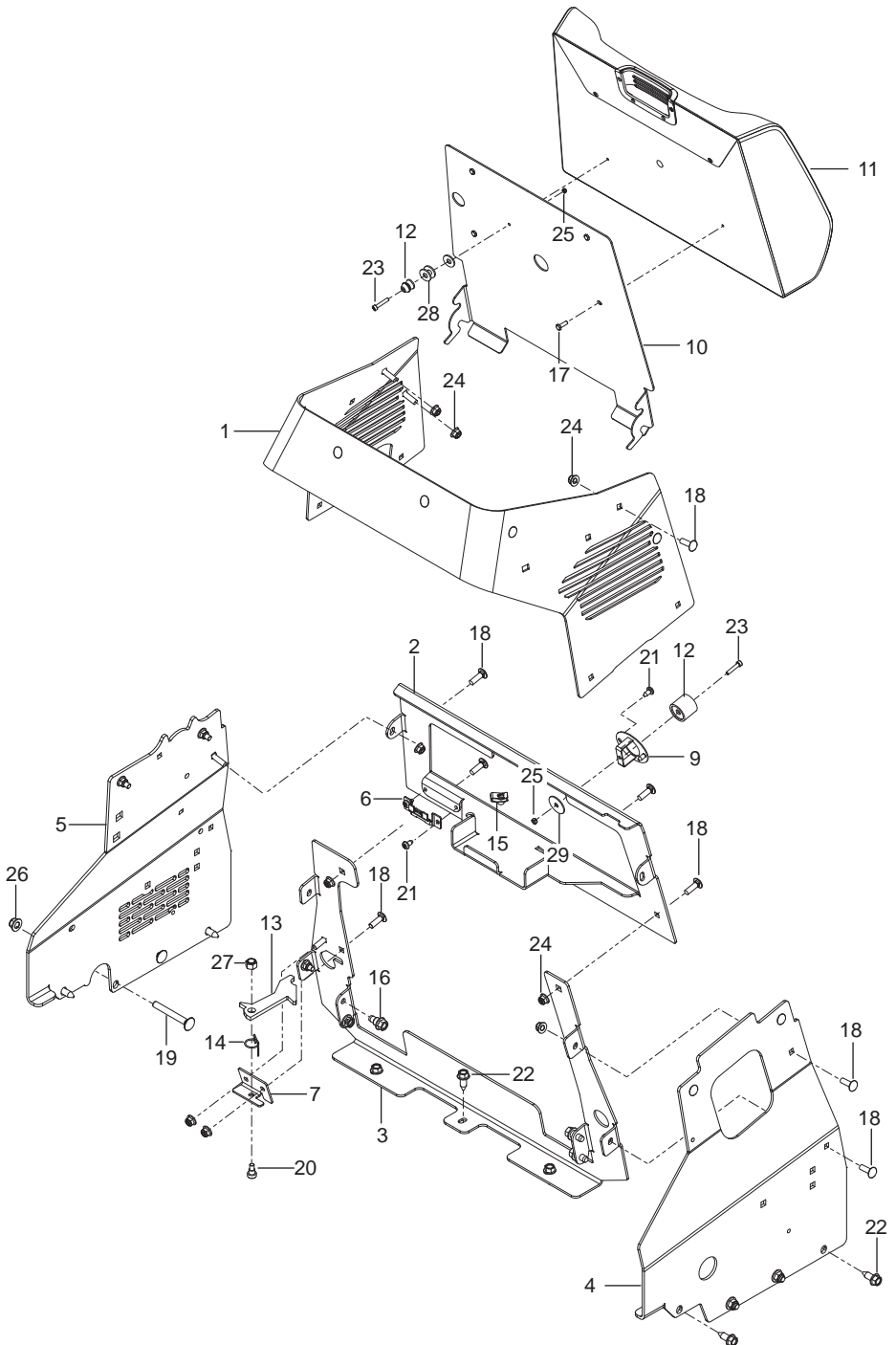
Please have the type designation and serial number available when ordering spare parts.

CONTENTS

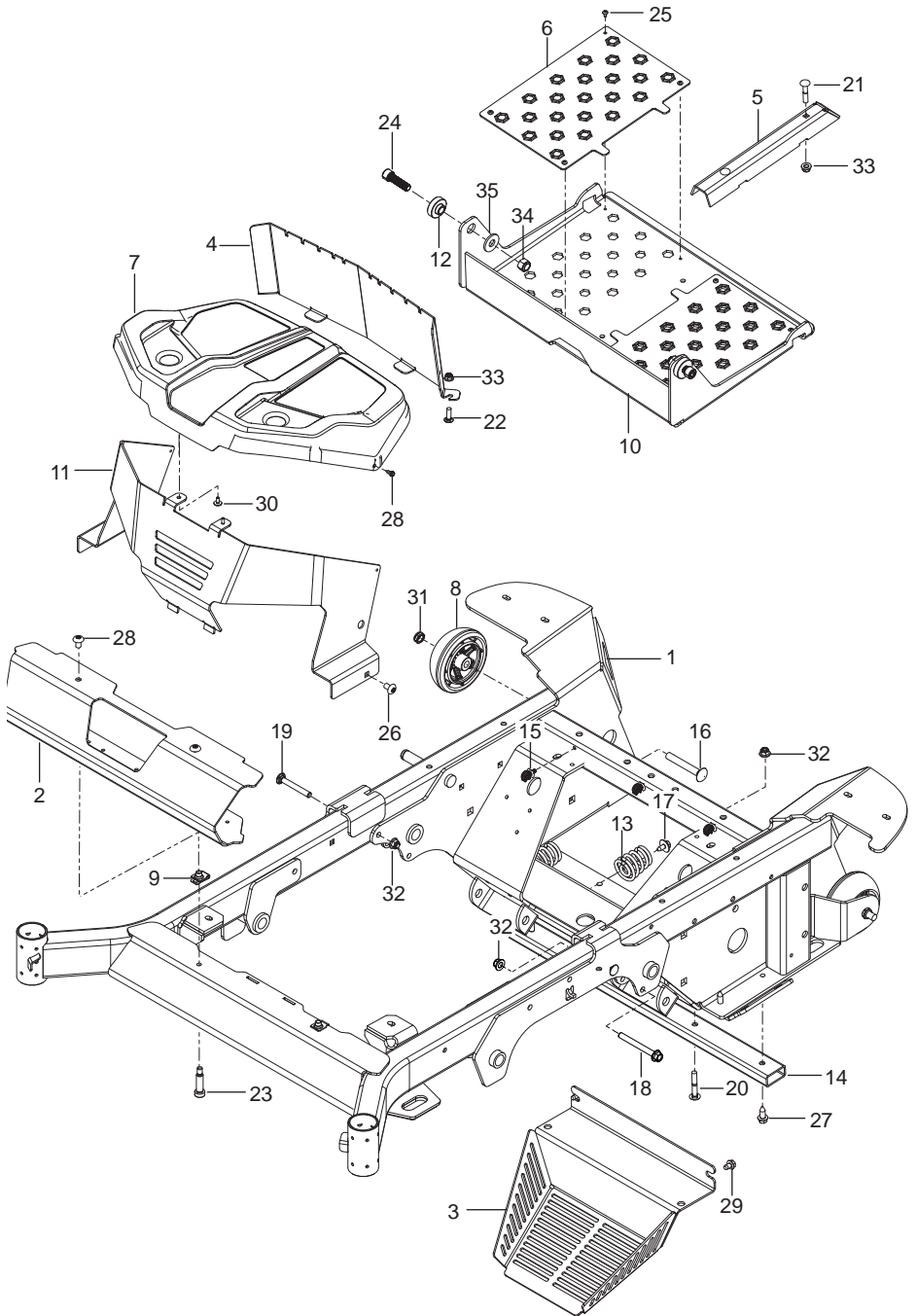
| | |
|-----------------------------------------|----|
| CHASSIS - UPPER | 4 |
| CHASSIS - LOWER | 6 |
| ENGINE MOUNTING, GUARDS & MUFFLER | 8 |
| STEERING | 10 |
| IGNITION SYSTEM..... | 12 |
| FUEL SYSTEM..... | 14 |
| PARK BRAKE | 16 |
| HYDRAULIC PUMP-MOTOR..... | 18 |
| HYDRAULIC DRIVE..... | 20 |
| WHEELS & TIRES | 22 |
| MOWER LIFT / DECK LIFT..... | 24 |
| MOWER DECK / CUTTING DECK | 26 |
| BLADE SHAFT | 28 |
| DECALS | 30 |

Illustrations may or may not represent the actual assemblies and it is not recommended to use this manual as a guide to assemble or disassemble the mower.

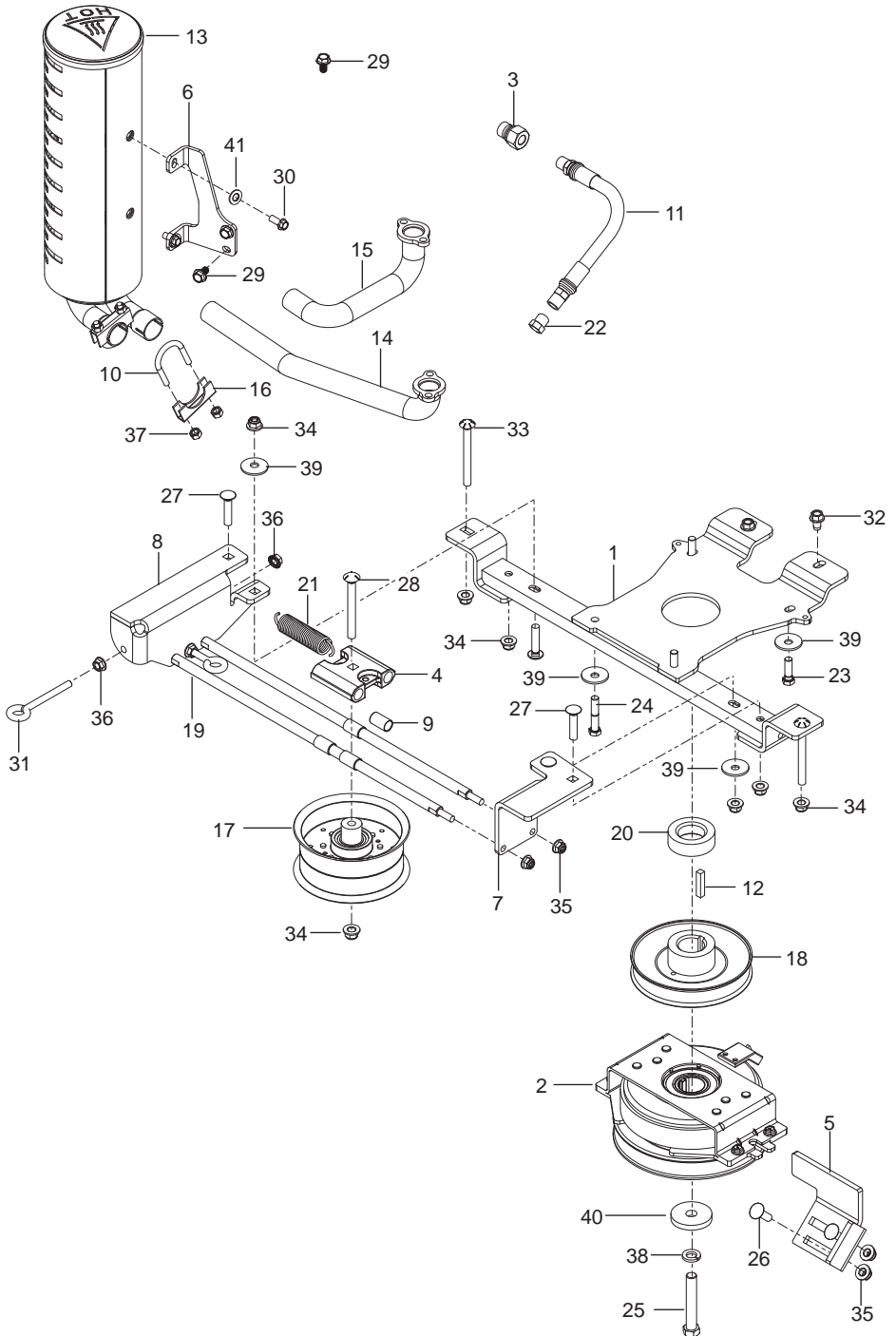
NOTE: All fasteners are Grade 5 unless otherwise specified.



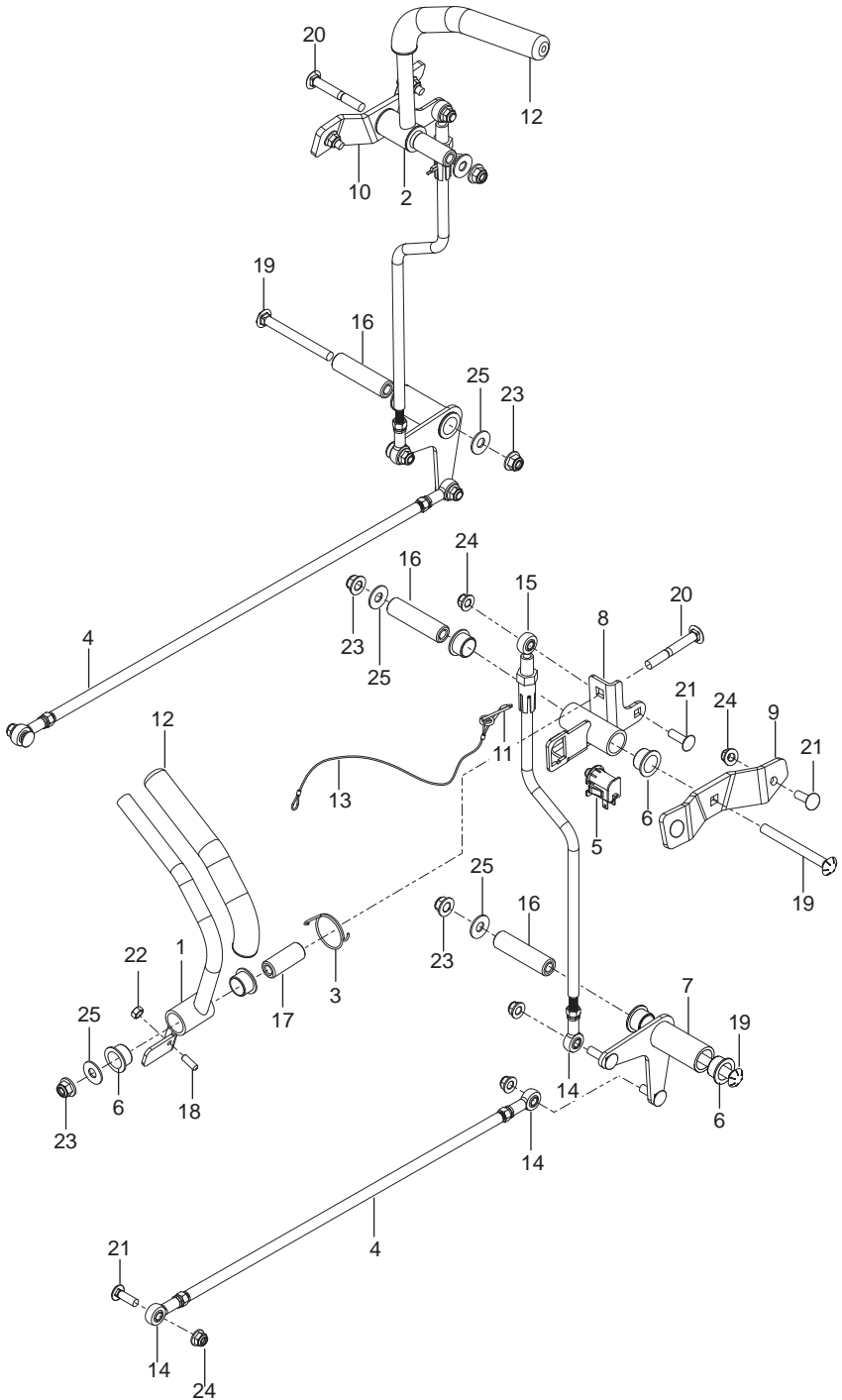
| Ref. | Part No. | Qty | Description | Kit / Assy Includes |
|---------------------|--------------|-----|-----------------------------------------|-----------------------|
| 1 | 501 86 31-02 | 1 | Column Front | |
| 2 | 590 74 24-06 | 1 | Column Rear Lower | |
| 3 | 590 74 25-06 | 1 | Column Rear Upper | |
| 4 | 501 86 34-02 | 1 | Column Side Left | |
| 5 | 501 86 33-02 | 1 | Column Side Right | |
| 6 | 589 50 07-02 | 1 | Bracket, Fuse Relay | |
| 7 | 590 78 33-05 | 1 | Bracket, Platform Holdback | |
| 8 | 532 14 50-06 | 3 | Clip, Push-In Hinged | |
| 9 | 592 85 78-01 | 1 | Cradle Holdbacks Ss | |
| 10 | 590 74 26-06 | 1 | Door, Column Rear | |
| 11 | 590 78 30-01 | 1 | Pad, Operator Cushion | |
| 12 | 582 46 17-01 | 1 | Holder Assembly | |
| 13 | 590 78 35-05 | 1 | Latch, Platform | |
| 14 | 590 79 04-01 | 1 | Spring, Platform Holdback | |
| 15 | 539 10 47-63 | 1 | Retainer 5/16-18 U Type | |
| 16 | 532 19 65-39 | 5 | Bolt 3/8-16 Hex Flange Shoulder | |
| 17 | 592 85 81-01 | 4 | Bolt 5/16 x 5/8 w/ Loctite | |
| 18 | 539 10 72-71 | 18 | Bolt 5/16-18 x 1 Round Head Square Neck | |
| 19 | 539 12 27-28 | 4 | Bolt 3/8-16 x 3 Round Head Square Neck | |
| 20 | 539 11 36-21 | 1 | Bolt 3/8-16 Shoulder | |
| 21 | 532 19 98-55 | 4 | Screw 1/4-20 Panhead | |
| 22 | 817 00 06-16 | 7 | Screw 3/8-16 x 1 Tap Blk | |
| 23 | 593 16 74-01 | 2 | Screw Hex Head | |
| 24 | 539 11 28-99 | 25 | Nut 5/16-18 Hex Flange Nyloc | |
| 25 | 593 16 73-01 | 2 | Nut M5 Lock | |
| 26 | 521 99 65-01 | 4 | Nut 3/8-16 Hex Flange Nyloc | |
| 27 | 539 97 69-79 | 1 | Nut 3/8-16 Hex Nyloc | |
| 28 | 593 17 51-01 | 3 | Washer | |
| 29 | 590 68 60-01 | 1 | Washer 1/4 x 1-1/2 | |
| SERVICE KITS | | | | |
| | 593 60 24-01 | 1 | Holdback Stem, Assembly | 12, 23, 25, 28 |
| | 593 60 25-01 | 1 | Holdback Base, Assembly | 9, 12, 21, 23, 25, 29 |



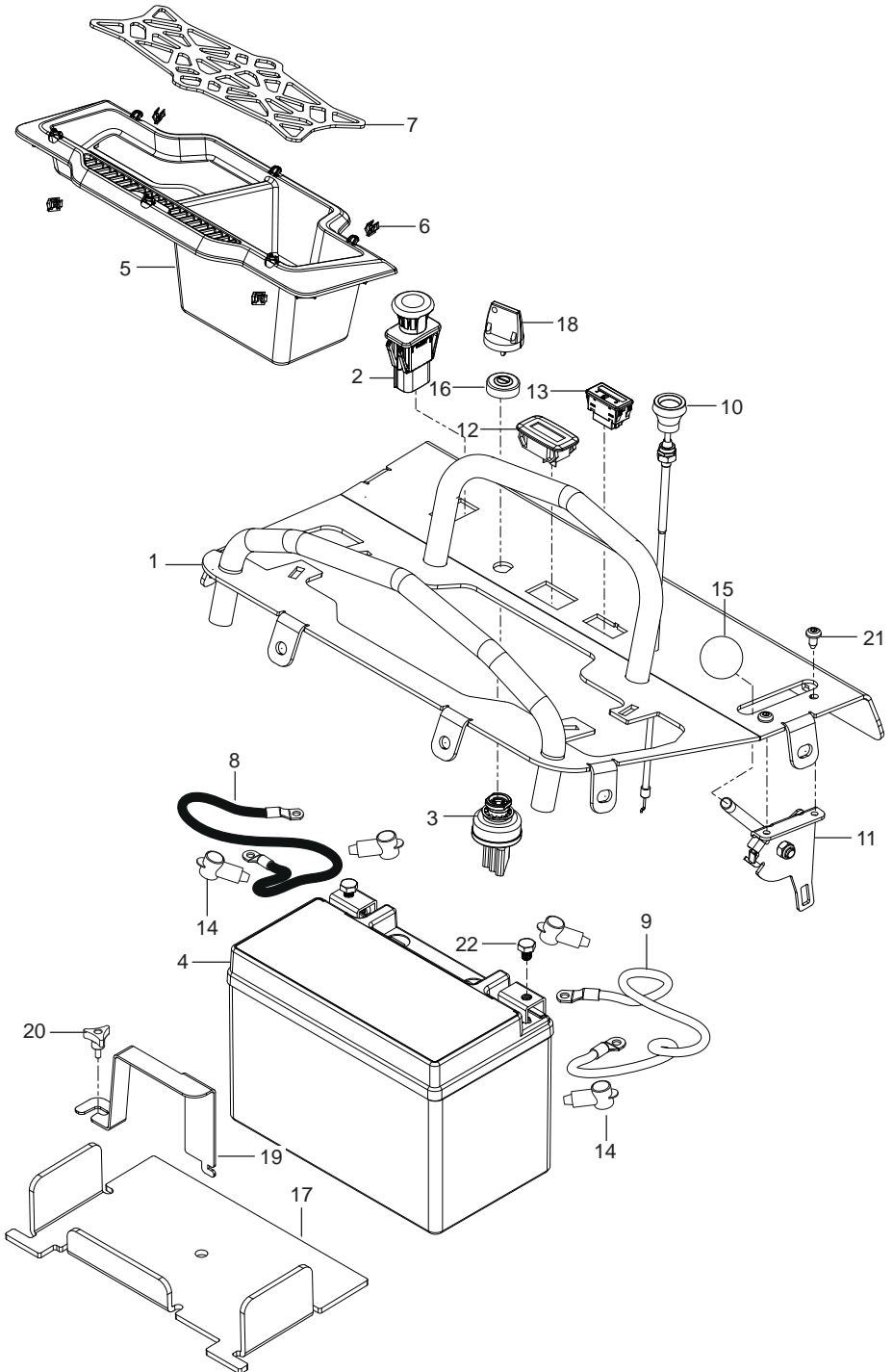
| Ref. | Part No. | Qty | Description | Kit / Assy Includes |
|------|--------------|-----|--------------------------------------------|---------------------|
| 1 | 590 78 27-02 | 1 | Chassis | |
| 2 | 590 74 31-06 | 1 | Cover Front | |
| 3 | 590 74 27-02 | 1 | Cover, PTO | |
| 4 | 590 91 53-02 | 1 | Plate, Baffle | |
| 5 | 590 74 30-06 | 1 | Bracket, Angle | |
| 6 | 590 78 29-02 | 2 | Footplate | |
| 7 | 590 81 30-03 | 1 | Cover, Pump | |
| 8 | 589 52 74-01 | 2 | Wheel, Gauge | |
| 9 | 589 80 68-01 | 2 | Retainer 3/8-16 U-Type | |
| 10 | 590 74 29-06 | 1 | Plate, Operator | |
| 11 | 589 62 32-01 | 1 | Shroud, Pump | |
| 12 | 586 70 17-01 | 2 | Spacer | |
| 13 | 589 48 35-01 | 4 | Spring, Tapered | |
| 14 | 590 78 23-02 | 1 | Tube, Skidplate | |
| 15 | 592 85 74-01 | 3 | Clip, Cable | |
| 16 | 592 85 80-01 | 2 | Bolt 1/2-13 x 3-1/2 Round Hd Square Neck | |
| 17 | 532 17 18-77 | 4 | Bolt 5/16-18 x 3/4 Flange Head Serated Blk | |
| 18 | 874 49 06-52 | 2 | Bolt 3/8-16 x 3-1/2 Hex Flange Head | |
| 19 | 539 12 27-28 | 2 | Bolt 3/8-16 x 3 Round Head Square Neck | |
| 20 | 872 11 06-18 | 2 | Bolt 3/8-16 x 2-1/4 Round Hd Square Neck | |
| 21 | 872 11 05-14 | 2 | Bolt 5/16 x 18 x 1-3/4 Round Hd Sq Neck | |
| 22 | 872 11 05-08 | 2 | Bolt 5/16-18 x 1 Round Hd Square Neck | |
| 23 | 592 80 76-01 | 2 | Bolt Shoulder 3/8-16 | |
| 24 | 592 85 79-01 | 2 | Bolt 1/2-13 Hex Nyloc Ring | |
| 25 | 592 85 84-01 | 8 | Screw 10-24 x 3/8 Tap Torx | |
| 26 | 592 85 82-01 | 4 | Screw 3/8 Torx Thread Roll | |
| 27 | 817 00 06-16 | 4 | Screw 3/8-16 x 1 Tap Blk | |
| 28 | 532 18 44-71 | 2 | Screw Shoulder 10/24 | |
| 29 | 539 99 08-58 | 2 | Screw 5/16-18 x 1/2 Thread Roll | |
| 30 | 532 42 17-56 | 2 | Screw #10 | |
| 31 | 539 10 80-10 | 2 | Nut 1/2-13 Hex Jam Nyl Grade 2 | |
| 32 | 521 99 65-01 | 7 | Nut 3/8-16 Hex Flange Nyloc | |
| 33 | 539 11 28-99 | 4 | Nut 5/16-18 Hex Flange Nyloc | |
| 34 | 539 10 13-31 | 2 | Nut 1/2-13 Hex Nyloc | |
| 35 | 539 10 95-54 | 2 | Washer 1/2 Flat | |



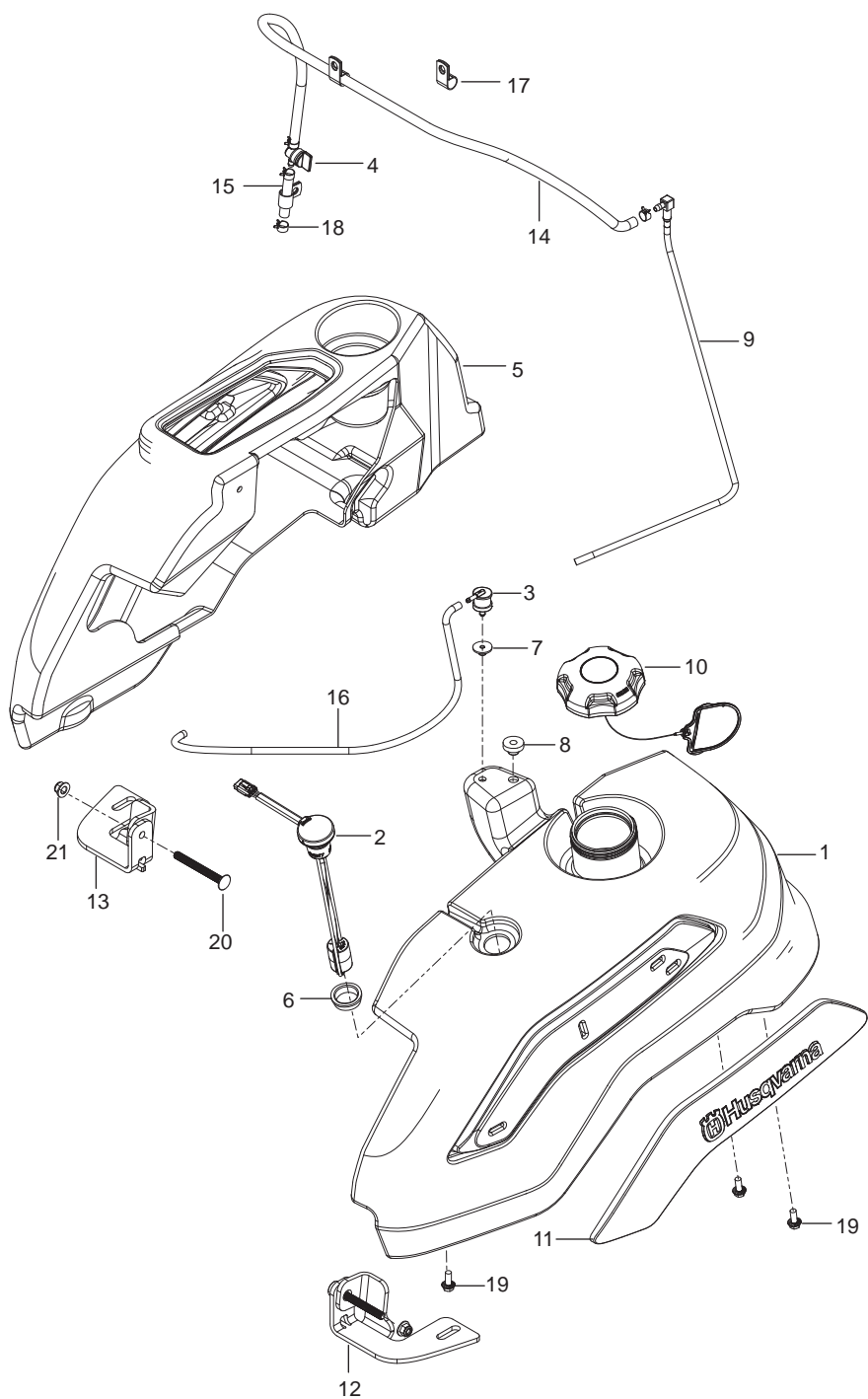
| Ref. | Part No. | Qty | Description | Kit / Assy Includes |
|---------------------|--------------|-----|-----------------------------------------------------|---------------------|
| 1 | 590 81 29-02 | 1 | Plate, Engine | |
| 2 | 589 41 46-01 | 1 | Clutch Ogura Gt2 75 6 85" Op | |
| 3 | 522 59 90-01 | 1 | Adapter, Oil Drain | |
| 4 | 590 63 56-01 | 1 | Block, Tensioner | |
| 5 | 589 60 46-02 | 1 | Bracket Clutch | |
| 6 | 590 90 74-02 | 1 | Bracket Muffler Mount | |
| 7 | 589 80 73-02 | 1 | Bracket, Tensioner Left | |
| 8 | 589 80 74-02 | 1 | Bracket, Tensioner Right | |
| 9 | 590 64 68-01 | 4 | Bushing, Sleeve | |
| 10 | 590 92 27-01 | 2 | U-Bolt 5/16-18 Muffler | |
| 11 | 584 82 55-01 | 1 | Assy Oil Drain Hose | |
| 12 | 539 91 27-57 | 1 | Key Sq 1/4 x 1-1/4 | |
| 13 | 589 72 16-01 | 1 | Muffler, Vertical | |
| 14 | 589 72 10-01 | 1 | Tube, Muffler Left | |
| 15 | 589 72 11-01 | 1 | Tube, Muffler Right | |
| 16 | 590 92 26-01 | 2 | Clamp, Muffler U-Bolt | |
| 17 | 589 60 38-01 | 1 | Pulley, Flat Idler | |
| 18 | 510 01 98-01 | 1 | Pulley, Engine | |
| 19 | 589 81 36-01 | 2 | Shaft, Tensioner | |
| 20 | 590 68 06-01 | 1 | Spacer, Engine Pulley | |
| 21 | 589 80 75-01 | 1 | Spring | |
| 22 | 585 80 71-01 | 1 | Plug, Oil | |
| 23 | 874 78 06-20 | 2 | Bolt 3/8-16 x 1-1/4 Hex Head | |
| 24 | 874 78 06-32 | 2 | Bolt 3/8-16 x 2 Hex Head | |
| 25 | 581 33 28-02 | 1 | Bolt 7/16-20 x 2-1/2 Hex Head | |
| 26 | 539 99 02-08 | 2 | Bolt 5/16-18 x 1 Round Hd Square Neck | |
| 27 | 872 11 06-14 | 4 | Bolt 3/8-16 x 1-3/4 Round Hd Square Neck | |
| 28 | 872 14 06-28 | 1 | Bolt 3/8-16 x 3-1/2 Round Hd Square Neck | |
| 29 | 590 00 33-01 | 3 | Bolt M8 x 1-1/4 x 16 Serrated Flange | |
| 30 | 592 85 87-01 | 2 | Bolt 5/16-18 x 3/4 Hex FlangeHead | |
| 31 | 539 11 55-74 | 2 | Bolt Eye 5/16 x 3-1/2 | |
| 32 | 817 00 06-16 | 2 | Screw 3/8-16 x 1 Tap Blk | |
| 33 | 589 39 86-02 | 2 | Screw 3/8-16 x 3-3/5 Round Hd | |
| 34 | 521 99 65-01 | 10 | Nut 3/8-16 Hex Flange Nyloc | |
| 35 | 539 11 28-99 | 6 | Nut 5/16-18 Hex Flange Nyloc | |
| 36 | 539 99 05-85 | 4 | Nut 5/16-18 Hex Whizlock | |
| 37 | 539 99 02-23 | 4 | Nut 5/16-24 Hex | |
| 38 | 539 99 02-47 | 1 | Washer 7/16 Slotted Lock | |
| 39 | 539 91 20-63 | 6 | Washer, Cone | |
| 40 | 539 10 65-04 | 1 | Washer, Harden | |
| 41 | 539 10 25-93 | 2 | Washer, 3/8 Spring | |
| SERVICE KITS | | | | |
| | 593 65 05-01 | 1 | Slider, Tensioner Assembly | 4, 9 |
| | 593 65 06-01 | 1 | Clutch, Assembly (includes harness) | 2 |
| NOT SHOWN | | | | |
| | 592 96 47-01 | 1 | Harness, Clutch | |
| | 586 83 97-01 | 2 | Gasket, Exhaust | |
| | ----- | | Engine, Kawasaki FX751V 18.3 kW (24.5 hp) | |
| | | | For engine replacement parts, see a Kawasaki dealer | |



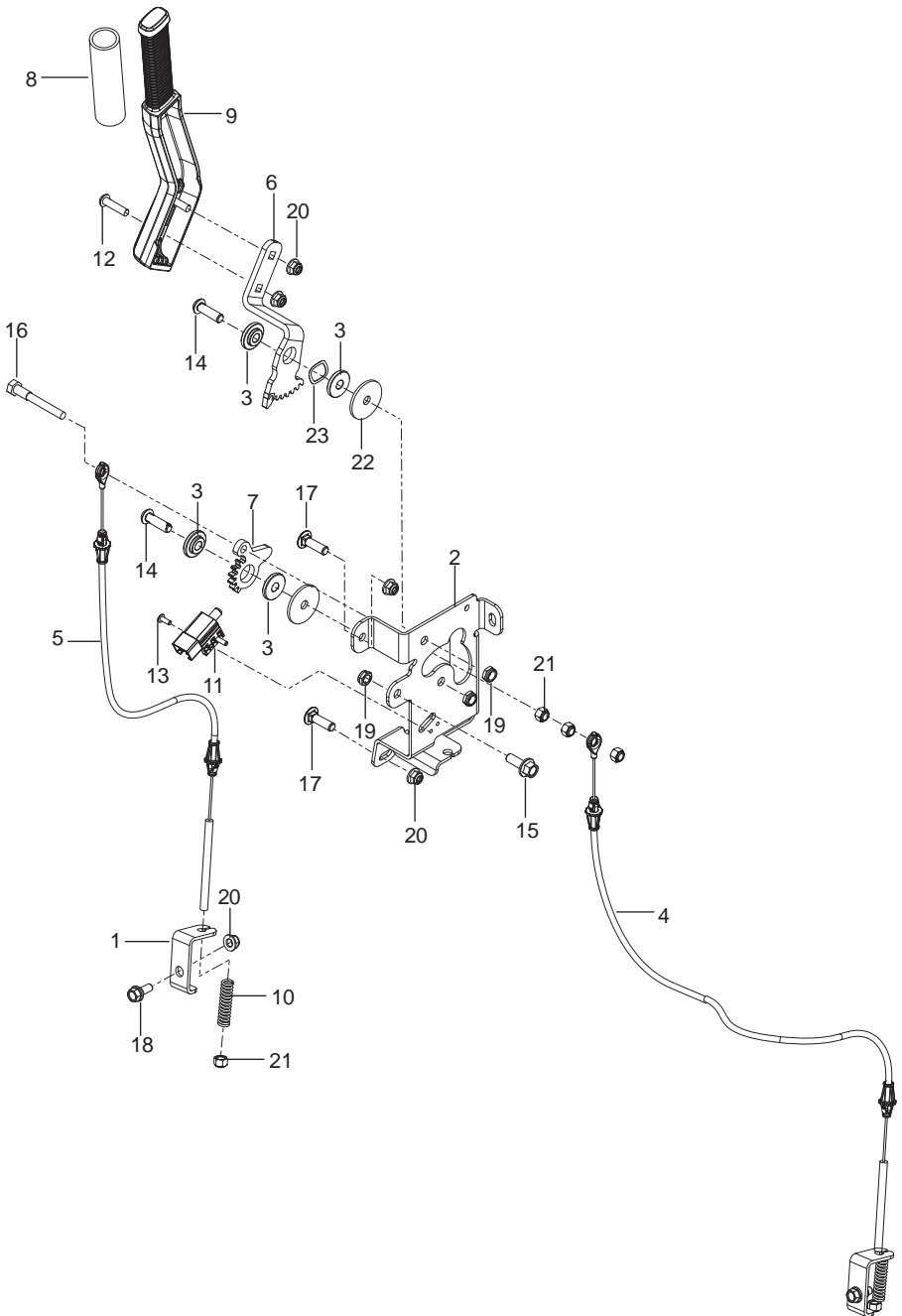
| Ref. | Part No. | Qty | Description | Kit / Assy Includes |
|---------------------|--------------|-----|---------------------------------------------|------------------------------------------|
| 1 | 590 62 35-02 | 1 | Lever, Control Left | |
| 2 | 582 68 67-02 | 1 | Lever, Control Right | |
| 3 | 590 62 45-01 | 1 | Spring, Torsion | |
| 4 | 582 68 79-01 | 2 | Linkage, Control | |
| 5 | 532 42 10-62 | 1 | Switch, NC | |
| 6 | 539 13 15-18 | 10 | Bearing, Flange | |
| 7 | 582 68 75-02 | 1 | Bellcrank, Control | |
| 8 | 590 62 42-02 | 1 | Bellcrank, Controls Blk | |
| 9 | 590 60 01-02 | 1 | Bracket, Pivot Left | |
| 10 | 590 60 00-02 | 1 | Bracket, Pivot Right | |
| 11 | 582 55 19-01 | 2 | Clip, Retainer | |
| 12 | 590 62 39-01 | 2 | Grip | |
| 13 | 539 10 50-59 | 2 | Lanyard | |
| 14 | 588 69 26-01 | 6 | Rod End, Female | |
| 15 | 588 69 25-02 | 2 | Rod End, Male | |
| 16 | 582 68 73-01 | 3 | Spacer, Pivot Long | |
| 17 | 582 68 73-02 | 2 | Spacer, Pivot Short | |
| 18 | 592 72 72-01 | 1 | Screw 1/4-20 x 3/4 Hex Set | |
| 19 | 589 39 86-02 | 3 | Bolt 3/8-16 x 3-3/4 Round Hd Square Neck | |
| 20 | 872 11 06-22 | 2 | Bolt 3/8-16 x 2-3/4 Round Hd Sq Neck Short. | |
| 21 | 539 10 72-71 | 12 | Bolt 5/16-18 x 1 Round Hd Square Neck | |
| 22 | 873 22 04-00 | 1 | Nut 1/4-20 Hex | |
| 23 | 521 99 65-01 | 5 | Nut 3/8-16 Hex Flange Nyloc | |
| 24 | 539 11 28-99 | 12 | Nut 5/16-18 Hex Flange Nyloc | |
| 25 | 819 13 16-16 | 5 | Washer 13/32 16 Gauge | |
| SERVICE KITS | | | | |
| | 582 68 66-01 | 1 | Lever, Right Assembly | 2, 6, 12 |
| | 593 26 01-01 | 1 | Lever, Left Assembly | 1, 6, 12 |
| | 582 68 74-01 | 2 | Bellcrank, Control Assembly | 6, 7 |
| | 582 68 78-01 | 1 | Lever Controls, Left Assembly | 1, 3, 5, 6, 8, 15, 16, 20, 21, 23, 24 |



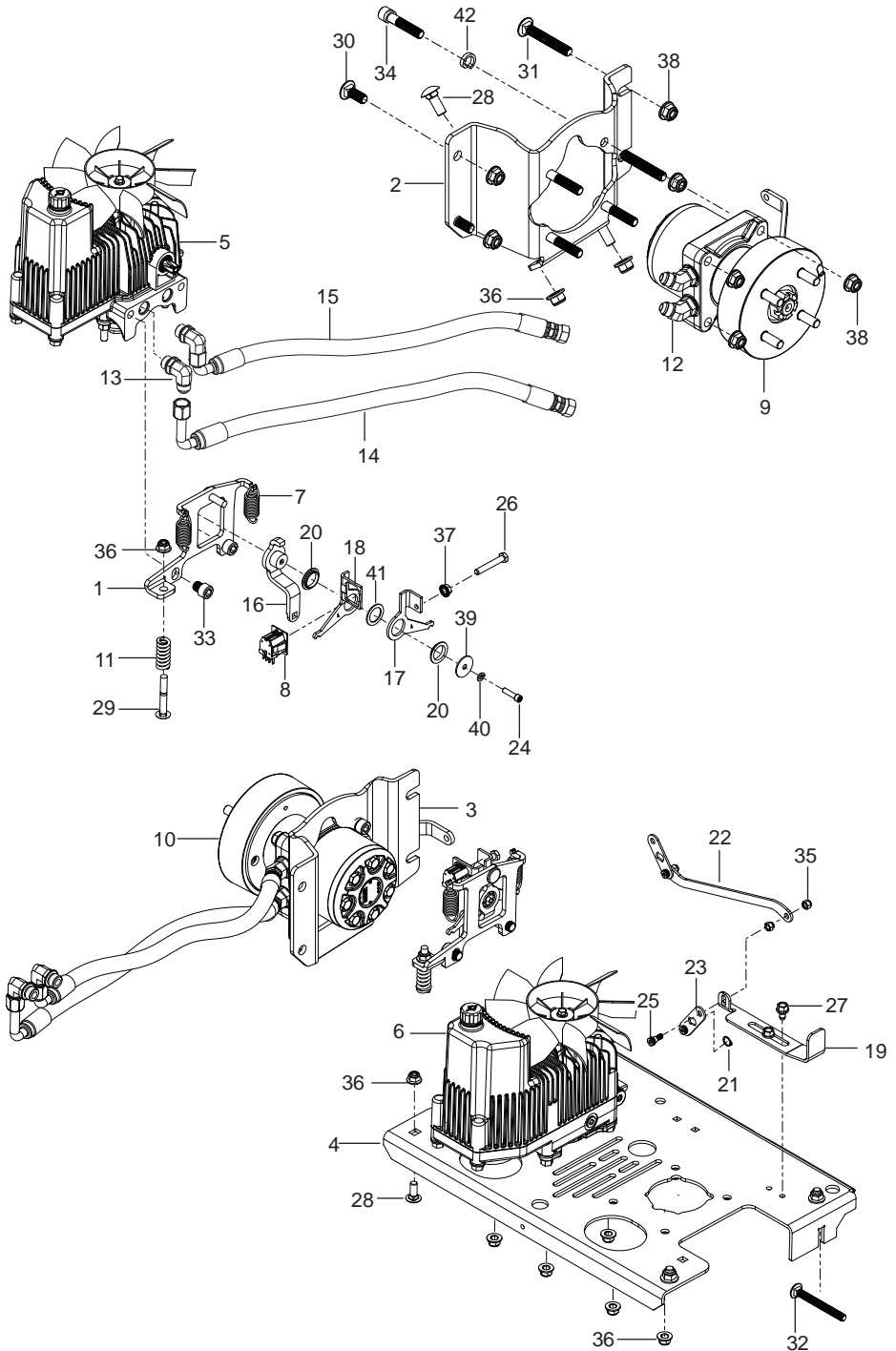
| Ref. | Part No. | Qty | Description | Kit / Assy Includes |
|--------------|--------------|-----|------------------------|---------------------|
| 1 | 501 86 62-02 | 1 | Panel, Control | |
| 2 | 589 88 72-01 | 1 | Switch, Blade | |
| 3 | 574 45 54-01 | 1 | Switch, Ignition | |
| 4 | 589 81 95-01 | 1 | Battery | |
| 5 | 582 68 58-02 | 1 | Tray, Storage Gry | |
| 6 | 582 68 59-01 | 4 | Clip, Trim | |
| 7 | 592 84 33-01 | 1 | Net, Cargo | |
| 8 | 592 83 83-01 | 1 | Cable Negative | |
| 9 | 592 83 83-01 | 1 | Cable Positive | |
| 10 | 574 20 69-03 | 1 | Cable, Choke | |
| 11 | 582 68 87-01 | 1 | Cable Throttle | |
| 12 | 586 16 18-01 | 1 | Gauge, Service | |
| 13 | 592 87 27-02 | 1 | Gauge, Fuel Level | |
| 14 | 539 10 27-59 | 4 | Insulator, Battery | |
| 15 | 539 13 26-24 | 1 | Knob, Shift | |
| 16 | 539 10 31-78 | 1 | Cap, Switch Blk | |
| 17 | 590 57 70-01 | 1 | Pad, Battery | |
| 18 | 574 45 55-01 | 2 | Key, Ignition | |
| 19 | 590 92 76-06 | 1 | Strap, Battery Gry | |
| 20 | 539 10 44-11 | 1 | Knob w/ Stud | |
| 21 | 532 19 98-55 | 2 | Screw 1/4-20 Panhead | |
| 22 | 582 46 08-01 | 2 | Screw M6 x 8mm Hex Cap | |
| SERVICE KITS | | | | |
| | 593 66 41-01 | 1 | Tray, Assembly | 5, 6 |
| | 593 66 42-01 | 1 | Ignition, Assembly | 3, 16, 18 |
| NOT SHOWN | | | | |
| | 592 87 68-01 | 1 | Harness, Main | |
| | 589 83 85-01 | 1 | Harness, Adapter | |
| | 592 83 08-01 | 1 | Harness, Jumper 42" | |



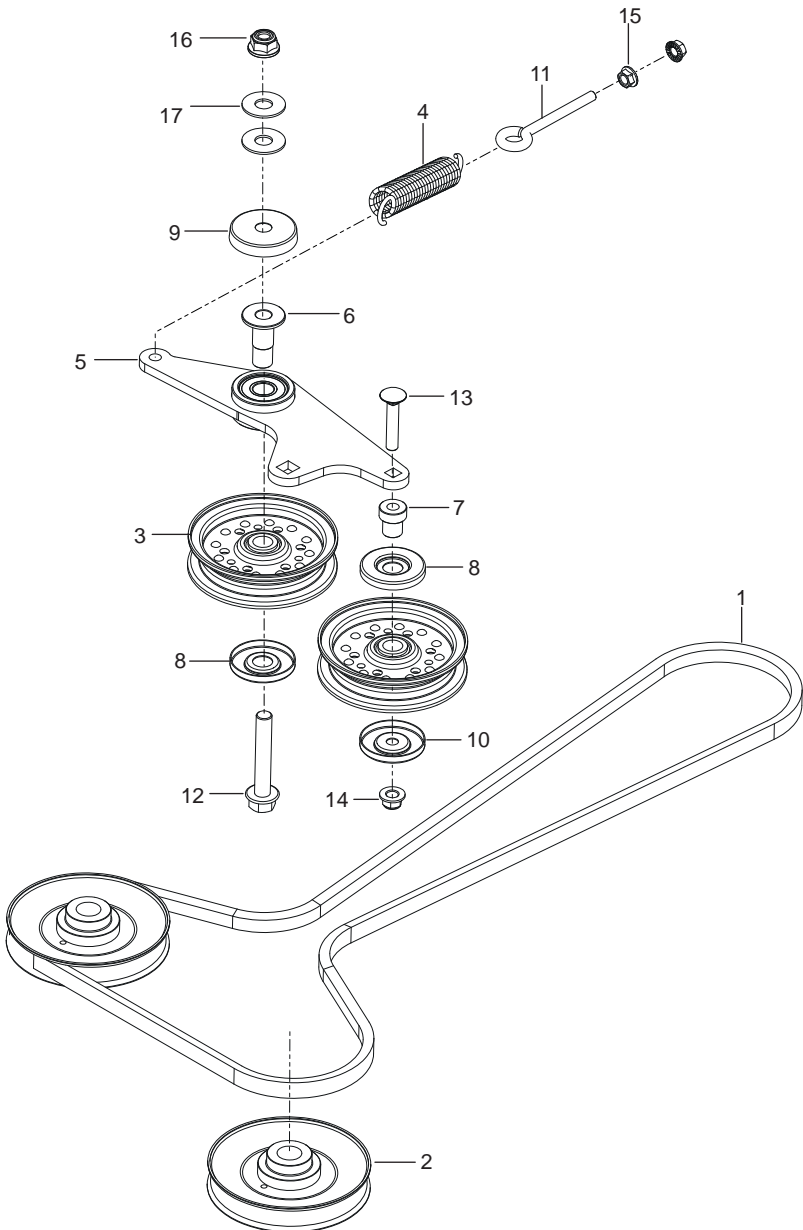
| Ref. | Part No. | Qty | Description | Kit / Assy Includes |
|------|--------------|-----|------------------------------------------|----------------------|
| 1 | 582 04 69-02 | 1 | Assy, Fuel Tank | 2, 3, 6, 7, 8, 9, 10 |
| 2 | 590 63 88-01 | 1 | Sensor, Fuel Level | |
| 3 | 576 61 81-01 | 1 | Valve, Roll Over | |
| 4 | 539 91 63-25 | 1 | Valve, Fuel | |
| 5 | 582 04 73-01 | 1 | Console | |
| 6 | 590 20 91-01 | 1 | Grommet, Fuel Sensor | |
| 7 | 584 64 82-01 | 1 | Grommet, Valve | |
| 8 | 532 00 36-45 | 1 | Grommet, Fuel | |
| 9 | 582 68 81-01 | 1 | Assy, Fuel Tube | |
| 10 | 575 01 81-01 | 1 | Cap, Fuel | |
| 11 | 582 48 34-01 | 1 | Cover, Left | |
| | 582 48 24-01 | 1 | Cover, Right | |
| 12 | 582 68 82-02 | 1 | Bracket, Mount Left | |
| 13 | 582 68 82-04 | 1 | Bracket, Mount Right | |
| 14 | 587 04 48-37 | 1 | Hose 1/4 x 37" Fuel | |
| 15 | 587 04 48-05 | 1 | Hose 1/4 x 5" Fuel | |
| 16 | 587 04 45-21 | 1 | Hose 3/16 x 21" Vapor | |
| 17 | 592 72 43-01 | 3 | Clamp, P Type | |
| 18 | 532 12 34-87 | 4 | Clamp, Hose | |
| 19 | 592 85 87-01 | 6 | Bolt 5/16-18 x 3/4 Hex Flange Head | |
| 20 | 592 85 91-01 | 2 | Bolt 3/8-16 x 3-1/2 Round Hd Square Neck | |
| 21 | 521 99 65-01 | 2 | Nut 3/8-16 Hex Flange Nyloc | |



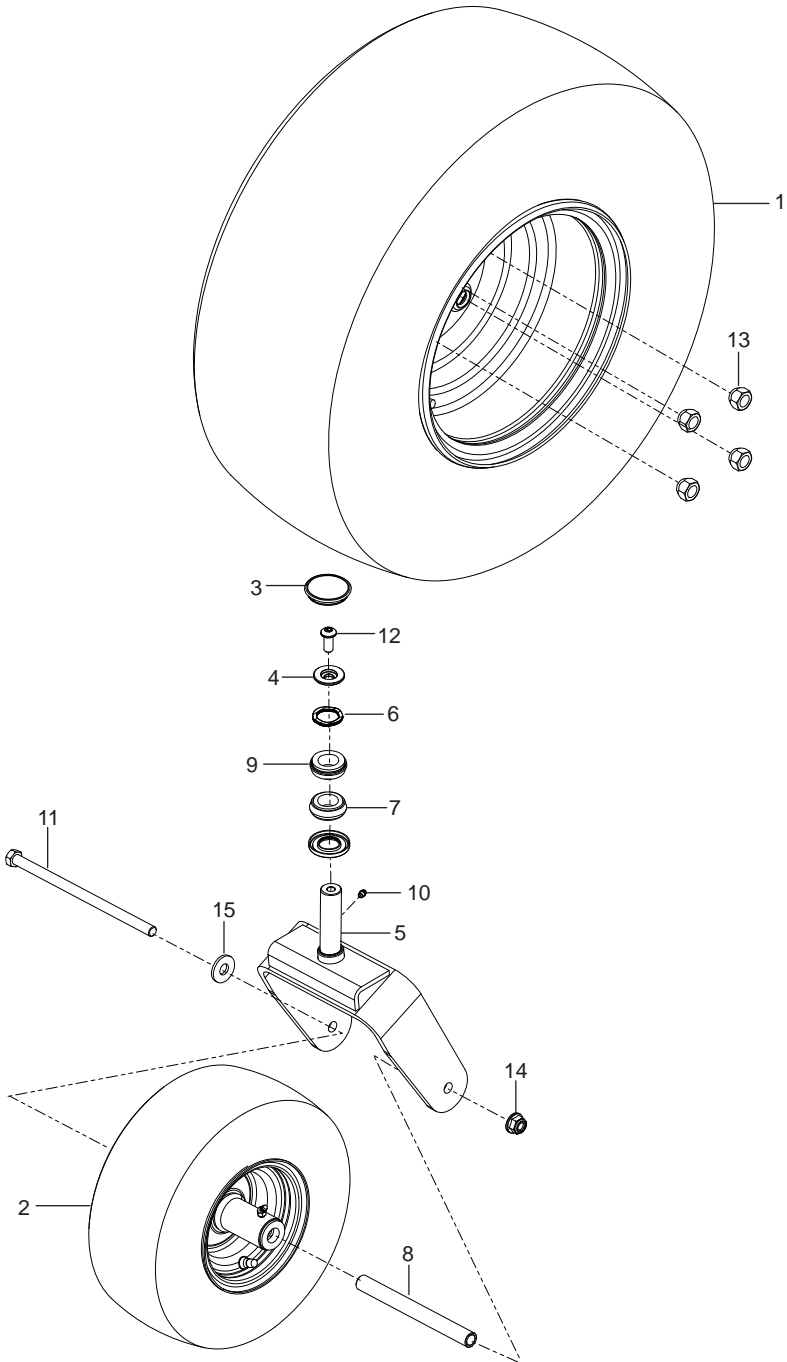
| Ref. | Part No. | Qty | Description | Kit / Assy Includes |
|---------------------|--------------|-----|----------------------------------------|----------------------------|
| 1 | 590 72 11-01 | 2 | Bracket, Pivot | |
| 2 | 590 70 60-02 | 1 | Bracket | |
| 3 | 539 13 21-61 | 4 | Bushing, Brake | |
| 4 | 590 58 66-01 | 1 | Cable, Park Left | |
| 5 | 590 58 67-01 | 1 | Cable, Park Right | |
| 6 | 590 20 43-01 | 1 | Gear, Input | |
| 7 | 590 20 45-01 | 1 | Gear, Output | |
| 8 | 592 61 93-01 | 1 | Grip , Handle | |
| 9 | 588 67 04-01 | 1 | Lever | |
| 10 | 590 87 82-01 | 2 | Spring, Compression | |
| 11 | 532 10 95-53 | 1 | Switch, Interlock | |
| 12 | 578 29 64-03 | 2 | Screw 5/16-18 x 1-1/4 Button Head | |
| 13 | 586 93 60-01 | 2 | Screw 10-24 x 1/2 Patch Button Head | |
| 14 | 590 86 26-01 | 2 | Screw Hex Socket Button Head | |
| 15 | 525 61 28-01 | 1 | Bolt 3/8-16 x 1 Hex Flange Hed | |
| 16 | 590 79 08-01 | 1 | Bolt 5/15-18 x 2-3/4 Hex Head Shoulder | |
| 17 | 539 10 72-71 | 2 | Bolt 5/16-18 x 1 Round Hd Square Neck | |
| 18 | 539 11 03-03 | 2 | Bolt 5/16 Shoulder | |
| 19 | 539 20 02-82 | 3 | Nut 3/8-16 Hex Jam Nyloc | |
| 20 | 539 11 28-99 | 6 | Nut 5/16-18 Hex Flange Nyloc | |
| 21 | 539 99 07-17 | 5 | Nut 5/16-18 Hex Nyloc | |
| 22 | 539 11 18-97 | 2 | Washer 3/8 Special | |
| 23 | 539 13 30-07 | 1 | Washer, Wave | |
| SERVICE KITS | | | | |
| | 593 26 11-01 | 1 | Lever, Assembly | 8, 9, 12 |
| | 593 26 12-01 | 1 | Brake, Assembly | 2, 3, 6, 7, 14, 19, 22, 23 |



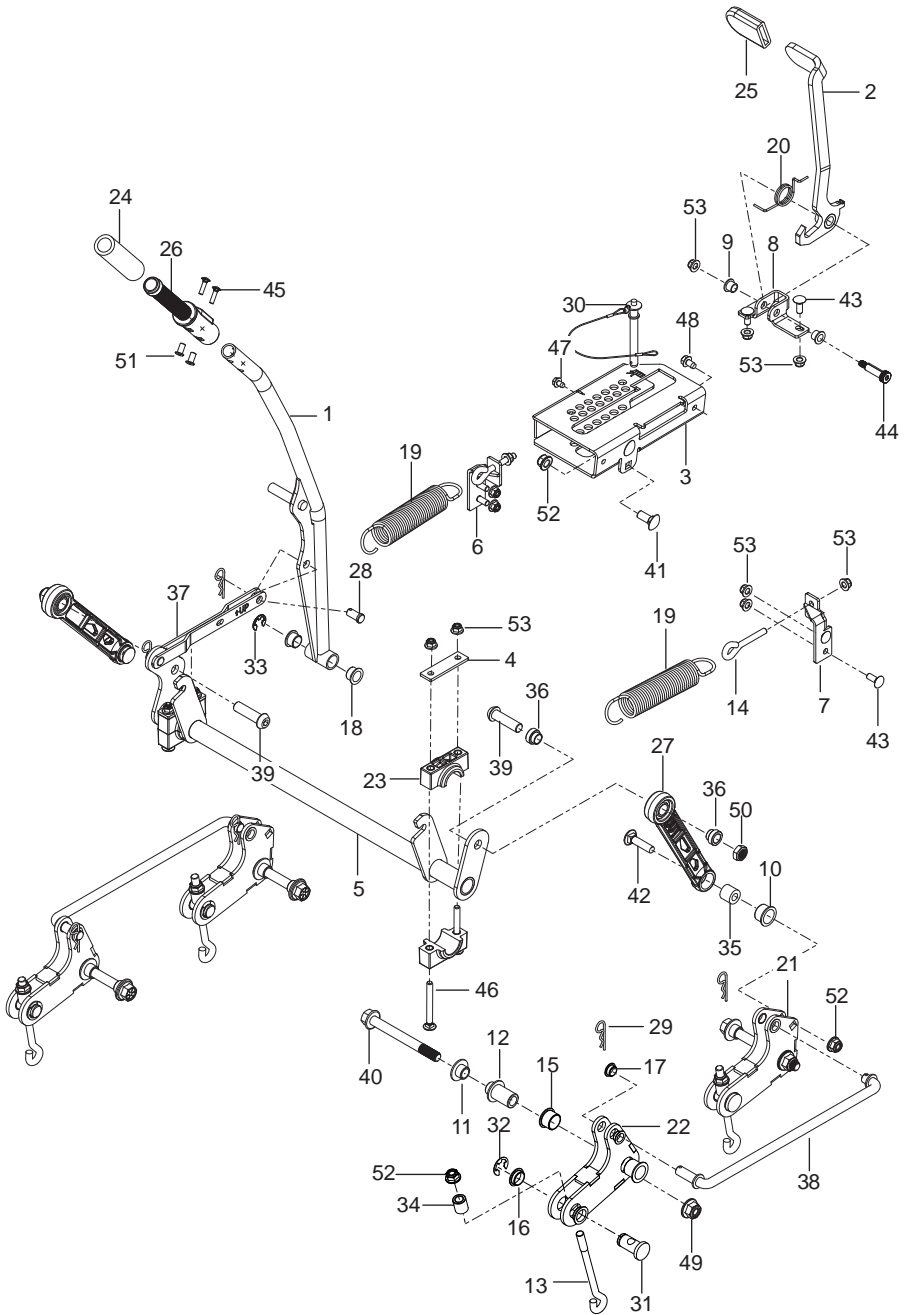
| Ref. | Part No. | Qty | Description | Kit / Assy Includes |
|---------------------|--------------|-----|--------------------------------------------|-------------------------------------------|
| 1 | 590 62 60-02 | 1 | Bracket, Return Left | |
| | 590 62 60-04 | 1 | Bracket, Return Right | |
| 2 | 582 63 59-03 | 1 | Bracket, Mounting Left Black | |
| 3 | 582 63 59-04 | 1 | Bracket, Mounting Right Black | |
| 4 | 582 64 11-02 | 1 | Plate, Mounting Blk | |
| 5 | 589 39 81-01 | 1 | Pump 12cc Left | |
| 6 | 589 39 81-02 | 1 | Pump 12cc Right | |
| 7 | 589 56 96-01 | 4 | Spring, Return | |
| 8 | 587 64 84-01 | 2 | Switch, nc/no | |
| 9 | 589 42 18-01 | 1 | Motor, Hydraulic 195cc Left | |
| 10 | 589 42 18-02 | 1 | Motor, Hydraulic 195cc Right | |
| 11 | 539 11 39-52 | 2 | Spring | |
| 12 | 589 39 84-01 | 4 | Fitting 45° Elbow | |
| 13 | 589 39 85-01 | 4 | Fitting 90° Elbow | |
| 14 | 589 41 92-01 | 2 | Hose, Hydraulic Lower Blk | |
| 15 | 589 41 93-01 | 2 | Hose, Hydraulic Upper Blu | |
| 16 | 589 52 47-01 | 2 | Arm, Control | |
| 17 | 590 62 64-01 | 1 | Arm, Bracket Left | |
| | 590 62 64-02 | 1 | Arm, Bracket Right | |
| 18 | 589 56 94-01 | 1 | Arm, Switch Left | |
| | 589 56 94-02 | 1 | Arm, Switch Right | |
| 19 | 582 68 86-03 | 1 | Pull, Bypass | |
| 20 | 582 68 88-01 | 4 | Bushing, Flange | |
| 21 | 592 85 75-01 | 2 | Clip, C | |
| 22 | 582 68 85-03 | 1 | Link, Pump Bypass | |
| 23 | 582 68 84-03 | 2 | Plate, Pivot | |
| 24 | 590 68 08-01 | 2 | Bolt 1/4-20 x 1 Socket Head | |
| 25 | 592 85 83-01 | 3 | Bolt 1/4 x 5/16 Shoulder | |
| 26 | 539 10 83-95 | 2 | Bolt 5/16 x 2 Hex Head Tap | |
| 27 | 532 16 54-92 | 2 | Bolt 5/16-18 Shoulder | |
| 28 | 539 99 06-45 | 6 | Bolt 3/8-16 x 1 Round Head Square Neck | |
| 29 | 872 11 06-20 | 2 | Bolt 3/8-16 x 2-1/2 Round Hd Square Neck | |
| 30 | 582 69 25-01 | 4 | Bolt 1/2-13 x 1-1/2 Round Head Square Neck | |
| 31 | 582 69 25-02 | 4 | Bolt 1/2-13 x 3-1/2 Round Head Square Neck | |
| 32 | 589 39 86-01 | 2 | Bolt 3/8-16 x 3-1/2 Round Head Square Neck | |
| 33 | 582 68 18-01 | 4 | Screw 1/2-20 x 1/2 Socket Head Cap | |
| 34 | 582 69 23-01 | 8 | Screw 1/2-13 x 2-1/2 | |
| 35 | 539 97 69-78 | 3 | Nut 1/4-20 Hex Nyloc | |
| 36 | 521 99 65-01 | 8 | Nut 3/8-16 Hex Flange Nyloc | |
| 37 | 539 99 05-85 | 2 | Nut 5/16-18 Hex Whizlock | |
| 38 | 521 99 11-01 | 8 | Nut 1/2-13 Hex Flange Nyloc | |
| 39 | 590 68 60-01 | 2 | Washer 1-1/2 | |
| 40 | 810 04 04-00 | 2 | Washer Lock | |
| 41 | 590 77 88-01 | 2 | Washer, Nylon | |
| 42 | 582 69 24-01 | 8 | Washer, Lock | |
| SERVICE KITS | | | | |
| | 593 26 04-01 | 1 | Speed Control Assembly, Left | 8, 16, 17, 18, 20, 24, 26, 37, 39, 40, 41 |
| | 593 26 04-02 | 1 | Speed Control Assembly, Right | 8, 16, 17, 18, 20, 24, 26, 37, 39, 40, 41 |



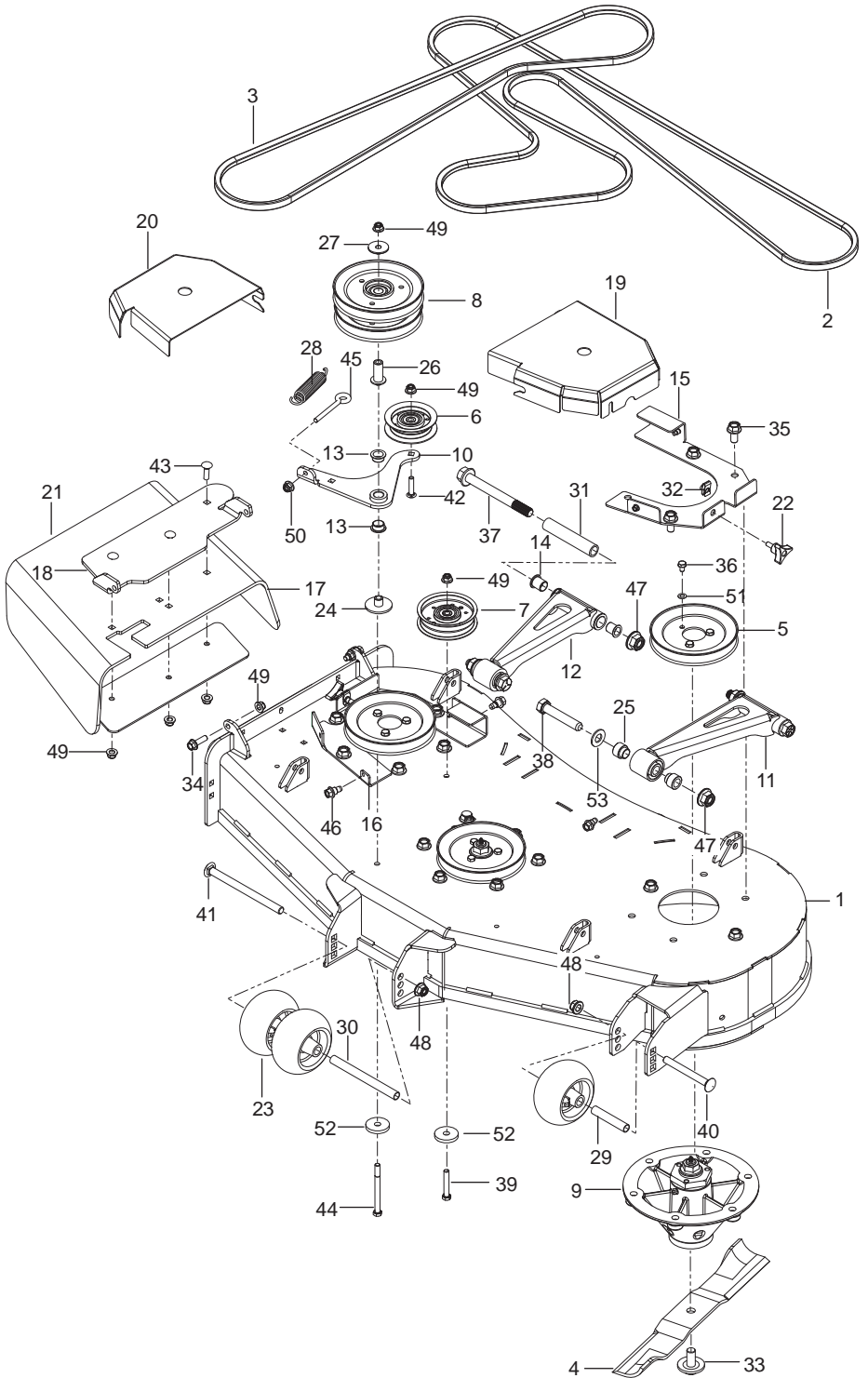
| Ref. | Part No. | Qty | Description | Kit / Assy Includes |
|------|--------------|-----|----------------------------------------|---------------------|
| 1 | 592 87 35-01 | 1 | Belt | |
| 2 | 589 39 83-01 | 2 | Pulley, 5" | |
| 3 | 539 97 66-88 | 2 | Pulley, Idler | |
| 4 | 577 43 72-01 | 1 | Spring, Extension | |
| 5 | 574 89 11-04 | 1 | Arm, Idler w /Bearing | |
| 6 | 574 97 56-01 | 1 | Bushing, Pivot | |
| 7 | 525 43 56-01 | 1 | Pivot, Idler | |
| 8 | 510 26 22-01 | 2 | Shield, Dust | |
| 9 | 539 11 46-62 | 1 | Shield, Dust | |
| 10 | 510 25 45-01 | 1 | Shield, Dust | |
| 11 | 539 11 55-74 | 1 | Eyebolt 5/16 x 3-1/2 | |
| 12 | 874 49 08-48 | 1 | Bolt 1/2-13 x 3 Hex Flange Head | |
| 13 | 539 10 01-45 | 1 | Bolt 3/8-16 x 2 Round Head Square Neck | |
| 14 | 521 99 65-01 | 1 | Nut 3/8-16 Hex Flange Nyloc | |
| 15 | 539 99 05-85 | 2 | Nut 5/16-18 Hex Whizlock | |
| 16 | 521 99 11-01 | 1 | Nut 1/2-13 Hex Flange Nyloc | |
| 17 | 539 99 05-50 | 2 | Washer 14 Gauge | |



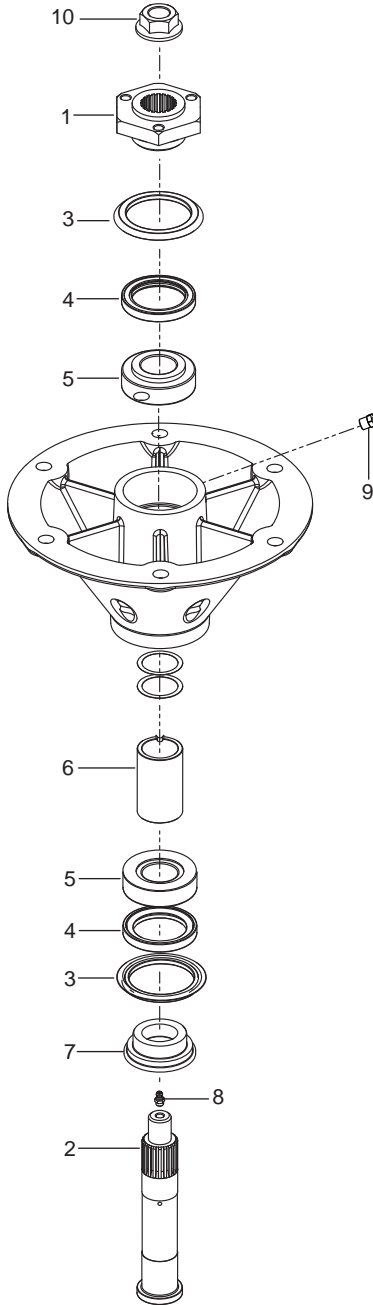
| Ref. | Part No. | Qty | Description | Kit / Assy Includes |
|------|--------------|-----|--------------------------------------|---------------------|
| 1 | 590 70 48-01 | 2 | Wheel Asm 20 x 10-10 Rear | |
| 2 | 581 19 95-01 | 2 | Wheel.13 x 6.50 Caster | |
| 3 | 590 70 00-01 | 2 | Cap, Dust | |
| 4 | 591 42 51-01 | 2 | Spring, Cap | |
| 5 | 590 67 46-02 | 2 | Fork, Caster Org | |
| 6 | 590 68 16-01 | 2 | Spring, Nested Wave | |
| 7 | 539 10 28-51 | 2 | Seal | |
| 8 | 575 33 49-01 | 2 | Spacer, Pivot | |
| 9 | 539 10 25-43 | 4 | Bearing | |
| 10 | 539 10 14-74 | 2 | Zerk | |
| 11 | 539 10 55-17 | 2 | Bolt 1/2-13 x 9-1/2 | |
| 12 | 591 45 73-01 | 2 | Screw 7/16-14 x 1 Socket Button Head | |
| 13 | 587 65 39-02 | 8 | Nut 1/2-20 Unf-2B Grade 8 | |
| 14 | 521 99 11-01 | 2 | Nut 1/2-13 Hex Flange Nyloc | |
| 15 | 819 18 22-12 | 2 | Washer 9/16 | |



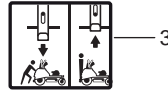
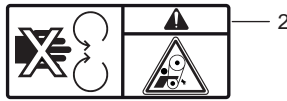
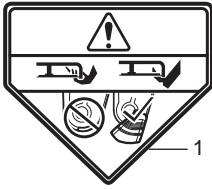
| Ref. | Part No. | Qty | Description | Kit / Assy Includes |
|---------------------|--------------|-----|------------------------------------------|-----------------------------|
| 1 | 590 89 78-02 | 1 | Latch, Transport | |
| 2 | 590 85 05-02 | 1 | Lever, Deck Lift | |
| 3 | 589 66 51-02 | 1 | Plate, Height Select | |
| 4 | 593 63 41-02 | 2 | Plate, Pillow Block | |
| 5 | 590 19 78-02 | 1 | Shaft, Deck Lift | |
| 6 | 590 67 30-02 | 1 | Bracket, Spring Left | |
| 7 | 590 67 29-02 | 1 | Bracket, Spring Right | |
| 8 | 590 68 02-02 | 1 | Bracket, Transport | |
| 9 | 591 04 21-01 | 2 | Bushing | |
| 10 | 590 86 65-01 | 2 | Bushing Nylon 1 x 3/4" | |
| 11 | 589 41 41-01 | 8 | Bushing, Pivot Inside | |
| 12 | 589 41 42-01 | 4 | Bushing, Pivot Outside | |
| 13 | 576 47 90-01 | 4 | Eyebolt 1/2-13 x 6-3/4 | |
| 14 | 539 10 74-84 | 2 | Eyebolt 3/8-16 x 1-3/4 | |
| 15 | 501 60 37-02 | 8 | Bearing Flange 1" | |
| 16 | 501 60 37-03 | 8 | Bearing Flange 7/8" | |
| 17 | 501 60 37-04 | 6 | Bearing Flange 5/8" | |
| 18 | 539 13 15-18 | 2 | Bearing, Flange | |
| 19 | 590 00 32-01 | 2 | Spring, Extension | |
| 20 | 590 85 61-01 | 1 | Spring, Torsion | |
| 21 | 589 60 51-02 | 2 | Bellcrank Rear | |
| 22 | 589 60 49-02 | 2 | Bellcrank Front | |
| 23 | 510 02 39-02 | 4 | Block, Pillow | |
| 24 | 592 72 39-01 | 1 | Grip, Lift Handle | |
| 25 | 591 04 19-01 | 1 | Grip, Transport | |
| 26 | 590 96 03-02 | 1 | Handle, Lift Lever | |
| 27 | 592 72 78-01 | 2 | Link, Deck Lift | |
| 28 | 590 86 64-01 | 2 | Pin 1/2 x 1 Clevis | |
| 29 | 539 97 69-89 | 6 | Pin 2-1/2 Hair | |
| 30 | 590 46 55-01 | 1 | Pin 3-1/2 Height Adjust | |
| 31 | 589 41 43-01 | 4 | Pin, Trunnion | |
| 32 | 590 67 33-01 | 5 | Ring E-Clip 7/8" | |
| 33 | 590 00 29-01 | 1 | Ring E-Clip 3/4" | |
| 34 | 576 48 58-01 | 4 | Spacer, Eyebolt | |
| 35 | 590 00 35-02 | 2 | Spacer, Pivot | |
| 36 | 510 36 25-01 | 4 | Spacer, Strut | |
| 37 | 590 66 24-01 | 1 | Strap | |
| 38 | 589 41 44-01 | 2 | Rod, Deck Lift | |
| 39 | 592 80 77-01 | 2 | Bolt 5 8-11 x 2-1/2 Button Hd Torx | |
| 40 | 590 67 87-01 | 4 | Bolt 5/8-11 x 6 Grade 8 | |
| 41 | 592 80 80-01 | 2 | Bolt 1/2-13 x 1-1/4 Round Hd Square Neck | |
| 42 | 592 80 79-01 | 2 | Bolt 1/2-13 x 2 Round Hd Square Neck | |
| 43 | 539 99 06-45 | 6 | Bolt 3/8-16 x 1 Round Hd Square Neck | |
| 44 | 592 80 76-01 | 1 | Bolt 3/8-16 x 2 Shoulder Socket Hd | |
| 45 | 592 80 78-01 | 2 | Bolt 1/4-20 x 3/4 Round Hd Sq Short Neck | |
| 46 | 592 85 91-01 | 4 | Bolt 3/8-16 x 3-1/2 Round Hd Square Neck | |
| 47 | 539 99 08-58 | 1 | Screw 5/16-18 x 1/2 Thread Roll | |
| 48 | 817 49 06-10 | 1 | Screw 3/8-16 x 5/8 Hex Washer Hd | |
| 49 | 525 82 91-01 | 4 | Nut 5/8-11 Hex Flange Nyloc | |
| 50 | 589 67 77-01 | 2 | Nut 5/8-11 Hex Hd Thin Nyloc | |
| 51 | 592 80 82-01 | 2 | Nut, Hexagon Socket Cap | |
| 52 | 521 99 11-01 | 8 | Nut 1/2-13 Hex Flange Nyloc | |
| 53 | 521 99 65-01 | 15 | Nut 3/8-16 Hex Flange Nyloc | |
| SERVICE KITS | | | | |
| | 593 64 37-01 | 1 | Handle, Lift Assembly | 24, 26 |
| | 593 64 38-01 | 1 | Latch, Transport Assembly | 2, 8, 9, 20, 25, 43, 44, 48 |
| | 593 64 39-01 | 1 | Deck Lift, Linkage Assembly | 10, 27 |
| | 593 65 07-01 | 1 | Bellcrank Front, Assembly | 15, 16, 17, 22 |
| | 593 65 07-02 | 1 | Bellcrank Rear, Assembly | 15, 16, 17, 21 |



| Ref. | Part No. | Qty | Description | Kit / Assy Includes |
|---------------------|--------------|-----|------------------------------------------|---------------------|
| 1 | 593 12 56-03 | 1 | Deck 48" w/ Safety Decals | |
| 2 | 590 19 28-01 | 1 | Belt, Deck 48" | |
| 3 | 592 87 35-01 | 1 | Belt, Deck Drive | |
| 4 | 589 35 34-02 | 3 | Blade 16-1/2" | |
| 5 | 539 13 06-46 | 3 | Pulley | |
| 6 | 590 54 24-01 | 1 | Pulley Idler Flat 3" | |
| 7 | 590 54 25-01 | 1 | Pulley Idler Flat 4" | |
| 8 | 589 59 57-01 | 1 | Pulley, Stacked | |
| 9 | 580 94 33-06 | 3 | Spindle, Cast Iron | |
| 10 | 589 80 85-02 | 1 | Arm, Tensioner | |
| 11 | 590 18 58-02 | 1 | Arm, Drawbar Left | |
| 12 | 590 38 96-02 | 1 | Arm, Drawbar Right | |
| 13 | 501 60 37-06 | 2 | Bearing 3/8 Flange | |
| 14 | 501 60 37-05 | 4 | Bearing 1-1/2 Flange | |
| 15 | 590 02 82-02 | 1 | Bracket, Cover Left | |
| 16 | 590 02 80-02 | 1 | Bracket, Cover Right | |
| 17 | 589 41 81-03 | 1 | Bracket, Deflector Lower | |
| 18 | 589 41 82-03 | 1 | Bracket Pnt Deflector Upper | |
| 19 | 590 02 81-02 | 1 | Cover, Pulley Left | |
| 20 | 590 02 83-02 | 1 | Cover, Pulley Right | |
| 21 | 592 79 74-01 | 1 | Deflector, Deck | |
| 22 | 539 10 44-11 | 2 | Knob W/ Stud | |
| 23 | 574 16 96-01 | 3 | Roller, Gauge | |
| 24 | 590 18 53-01 | 1 | Spacer, Arm | |
| 25 | 590 32 52-01 | 4 | Spacer, Bearing | |
| 26 | 590 18 54-01 | 1 | Spacer, Pulley | |
| 27 | 590 18 55-01 | 1 | Spacer, Pulley | |
| 28 | 539 10 68-50 | 1 | Spring | |
| 29 | 574 19 64-01 | 1 | Tube, Roller Axle | |
| 30 | 574 19 65-01 | 1 | Tube, Roller Axle Long | |
| 31 | 590 32 53-01 | 2 | Tube, Spacer | |
| 32 | 539 10 47-63 | 2 | Retainer-U Type 5/16-18 Nut | |
| 33 | 539 11 90-07 | 3 | Bolt/Washer, Blade | |
| 34 | 525 83 42-01 | 2 | Bolt 3/8-16 x 1-1/2 Hex Flange Head | |
| 35 | 574 21 06-01 | 18 | Bolt 1/2-13 x 1 Hex Flange Head | |
| 36 | 539 13 03-15 | 9 | Bolt 5/16-18 x 1/2 Hex Head | |
| 37 | 590 67 87-01 | 2 | Bolt 5/8-11 x 6 Hex Head Grade 8 | |
| 38 | 580 75 46-01 | 2 | Bolt 5/8-11 x 3-1/2 Hex Head | |
| 39 | 874 78 06-36 | 1 | Bolt 3/8-16 x 2-1/4 Hex Head | |
| 40 | 510 02 23-01 | 1 | Bolt 1/2-13 x 4-3/4 Round Hd Square Neck | |
| 41 | 872 14 08-64 | 1 | Bolt 1/2-13 x 8 Round Head Square Neck | |
| 42 | 539 99 09-23 | 1 | Bolt 3/8-16 x 1-3/4 Round Hd Square Neck | |
| 43 | 872 14 06-10 | 3 | Bolt 3/8-16 x 1-1/4 Round Hd Square Neck | |
| 44 | 590 67 86-01 | 1 | Bolt 3/8-16 x 4-1/4 | |
| 45 | 539 11 55-74 | 1 | Bolt Eye 5/16 x 3-1/2 | |
| 46 | 532 19 65-39 | 4 | Bolt Shoulder | |
| 47 | 525 82 91-01 | 4 | Nut 5/8-11 Hex Flange Nyloc | |
| 48 | 521 99 11-01 | 2 | Nut 1/2-13 Hex Flange Nyloc | |
| 49 | 521 99 65-01 | 8 | Nut 3/8-16 Hex Flange Nyloc | |
| 50 | 539 11 28-99 | 1 | Nut 5/16-18 Hex Flange Nyloc | |
| 51 | 539 10 96-00 | 9 | Washer 5/16 Disc Spring | |
| 52 | 539 10 65-04 | 2 | Washer 1-3/4 Harden | |
| 53 | 819 21 21-13 | 2 | Washer 13 Gauge | |
| SERVICE KITS | | | | |
| | 593 65 09-01 | 1 | Arm, Tensioner Assembly | 10, 13 |
| | 593 65 12-01 | 1 | Arm, Right Drawbar Assembly | 12, 14 |
| | 593 65 11-01 | 1 | Arm, Left Drawbar Assembly | 11, 14 |



| Ref. | Part No. | Qty | Description | Kit / Assy Includes |
|-----------|--------------|-----|----------------------------------------------------------------------------------------------------------------------------------|---------------------|
| 1 | 580 94 22-01 | 3 | Hub | |
| 2 | 580 94 21-01 | 3 | Shaft, Spindle | |
| 3 | 580 94 27-01 | 3 | Seal, V Ring | |
| 4 | 580 94 26-01 | 6 | Seal, Shaft | |
| 5 | 580 94 18-01 | 6 | Bearing | |
| 6 | 580 94 23-01 | 3 | Spacer | |
| 7 | 580 94 25-01 | 3 | Carrier, Seal | |
| 8 | 539 97 69-98 | 3 | Zerk | |
| 9 | 539 97 73-26 | 3 | Valve, Grease Poppet | |
| 10 | 539 13 06-53 | 3 | Nut 3/4-16 Hex Flange | |
| NOT SHOWN | | | | |
| | 574 75 42-01 | 1 | Kit, Bearing Assembly When replacing the Spindle bearings, order the Bearing Assembly Kit to assure proper installation | |



WARNING
The engine exhaust from this product contains chemicals known to the State of California to cause cancer, birth defects or other reproductive harm.

| | | | |
|-------------------|-----|------------------|-------|
| | | Charging Charge | 20 A |
| | | Acc. Accessories | 10 A |
| Indicator Voltage | 5 A | PTD PCF | 7,5 A |
| | | Main. Power | 20 A |

| SERVICE CHART | | | | | |
|---------------|---|---|---|---|---|
| | 1 | 2 | 3 | 4 | 5 |
| 50 h | | | | | |
| 250 h | | | | | |
| 1/365 | | | | | |
| 1/12 | | | | | |
| 12/12 | | | | | |

1/365 EVERY DAY | 1/12 EVERY MONTH | 12/12 EVERY YEAR

LUBRICATE CHANGE FILTER
 CHANGE OIL INSPECT

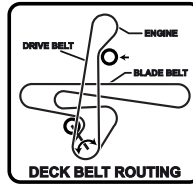
1.5 PSI | 10 PSI REFER TO OPERATOR MANUAL FOR COMPLETE SERVICE SCHEDULE

TO START

- CONTROL LEVERS REMAIN IN NEUTRAL (CENTER POSITION)
- CHECK THAT PTO SWITCH IS DISENGAGED (DOWN POSITION)
- ASSURE PARKING BRAKE IS ENGAGED (FORWARD POSITION)
- SET THROTTLE TO THE IDLE POSITION
- UNLACE THE CHAIN FOR COLD STARTS (SEE MANUAL)
- TURN KEY AND RELEASE WHEN ENGINE STARTS
- ALLOW THE ENGINE TO RUN AT A MODERATE SPEED FOR A SHORT TIME BEFORE USE (RETAIN RPM FOR TRANSPORT MODEL)

ONCE ENGINE IS RUNNING

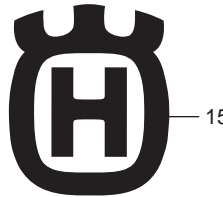
- MOVE THROTTLE TO MAXIMUM RPM
- PUSH LEFT HAND LEVER (OPERATOR PRESENCE CONTROL) DOWNWARD
- PUSH BRAKE LEVER FORWARD TO RELEASE
- ENGAGE PTO SWITCH
- MOVE AND STEER USING CONTROL LEVERS



Husqvarna
PROFESSIONAL

V 548

80
dB(A)



| Ref. | Part No. | Qty | Description | Kit / Assy Includes |
|------|--------------|-----|--------------------------|---------------------|
| 1 | 584 90 46-01 | 1 | Decal, Blade Warning | |
| 2 | 539 10 57-44 | 1 | Decal, Belt Danger | |
| 3 | 590 79 95-01 | 1 | Decal, Bypass Release | |
| 4 | 539 10 57-45 | 1 | Decal, Battery Warning | |
| 5 | 581 72 44-01 | 1 | Decal, Deflector Warning | |
| 6 | 591 18 22-01 | 1 | Decal, Fuse | |
| 7 | 591 18 21-01 | 1 | Decal, Service | |
| 8 | 593 36 76-01 | 1 | Decal, Starting | |
| 9 | 590 64 46-01 | 1 | Decal, Belt Routing | |
| 10 | 581 72 43-01 | 2 | Decal, No Step | |
| 11 | 590 79 98-01 | 1 | Decal, Logo | |
| 12 | 590 79 94-01 | 1 | Decal, Deck Height | |
| 13 | 590 80 54-01 | 1 | Decal, V 548 | |
| 14 | 501 08 26-01 | 1 | Decal, AU Emissions | |
| 15 | 532 42 86-77 | 1 | Decal, Crown H | |
| 16 | 590 79 96-01 | 1 | Decal, Console | |
| 17 | 581 72 41-02 | 1 | Decal, 80 dBA | |



www.husqvarna.com

2018-05-01