



Repair parts must be ordered through Ohio Steel: 1-800-652-2321

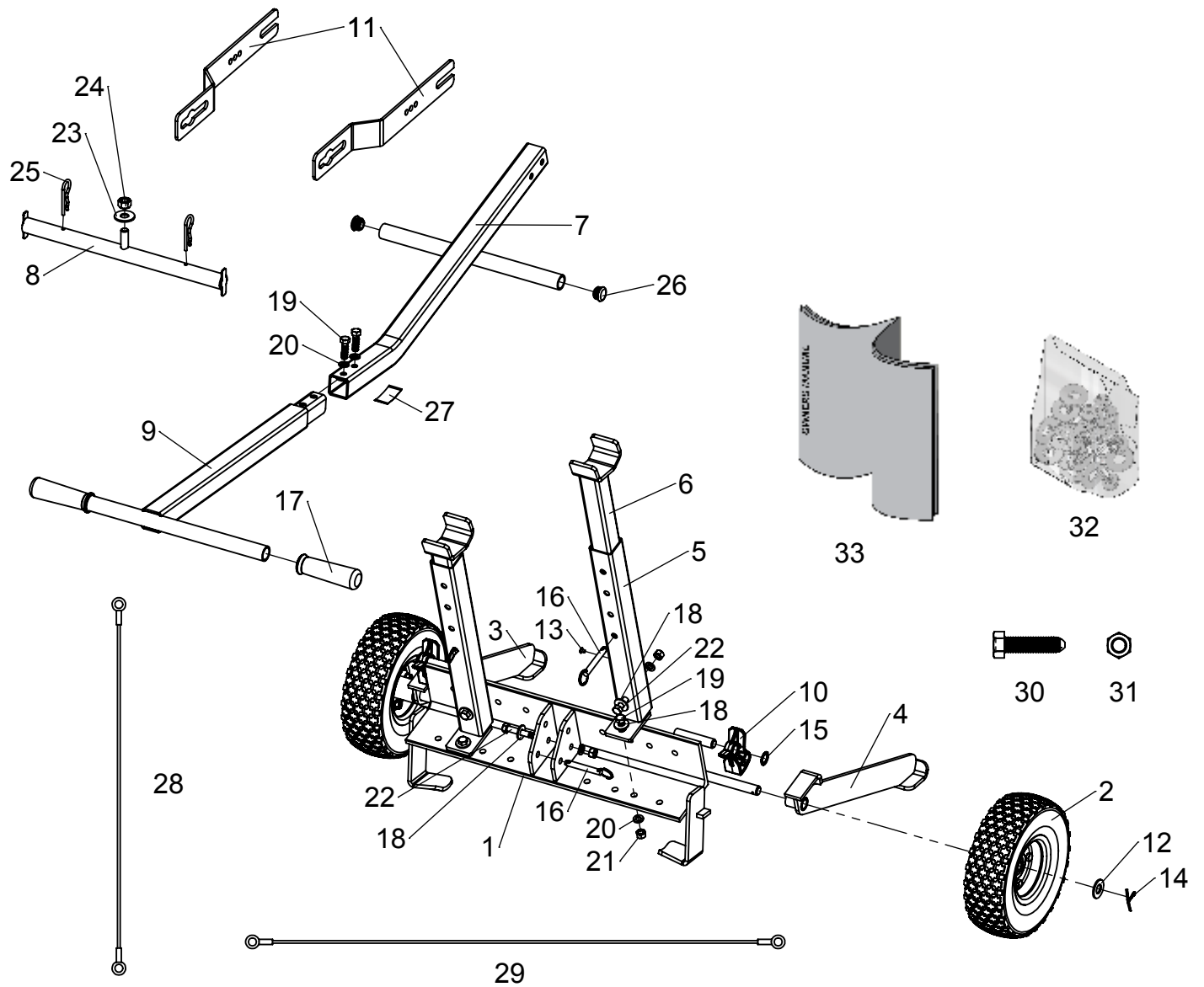


Article 585 44 54-01 / HQ-4045TL TRACTOR LIFT



**READ AND FOLLOW ALL SAFETY RULES AND OPERATING
INSTRUCTIONS BEFORE USING THIS EQUIPMENT**

Repair Parts



ITEM	PART NO	DESCRIPTION	QTY	ITEM	PART NO	DESCRIPTION	QTY
1	6002747	Frame	1	18	310073	3/8" USS Flat Washer	7
2	310011	Wheel, 10" x 5/8"	2	19	310055	3/8"-16 x 1-1/4" Hex Bolt GR5	8
3	6002749	Stabilizer, left	1	20	310072	3/8" Split Lock Washer	7
4	6002750	Stabilizer, right	1	21	310062	3/8"-16 Hex Nut	5
5	6002751	Receiver Tube	2	22	310051	3/8"-16 x 2-3/4" Hex Bolt GR5	3
6	6002752	Lift Tube	2	23	310074	1/2" USS Flat Washer	1
7	6002753	Handle, Bottom	1	24	310063	1/2"-13 Hex Nut	1
8	6002754	Bar, Lifting	1	25	300082	Hairpin Cotter, 148 Wire, 3-5/16"	2
9	6002755	Handle, Top	1	26	310221	Plug, 1" Tube	2
10	6002756	Latch, Safety	2	27	31026	Pad, Scruff	1
11	6002757	Bracket, Tractor	2	28	310272	Lanyard, 9"	3
12	310071	Washer, 5/8" SAE	2	29	310273	Lanyard, 13"	2
13	310222	Pop Rivet, 3/16 x 1/4" Grip	7	30	310054	3/8-16 x 1-1/2" Self-thread bolt	2
14	300081	Cotter Pin 1/8" x 1-1/2"	2	31	310061	3/8" Nyloc Hex Nut	4
15	310341	Retaining Ring, 5/8"	2	32	310038	Hardware Bag	1
16	310081	Pin, Quick-Release	3	33	6002413	Assembly Manual	1
17	310181	Grip, Handle	2				