



Repair parts must be ordered through Ohio Steel: 1-800-652-2321

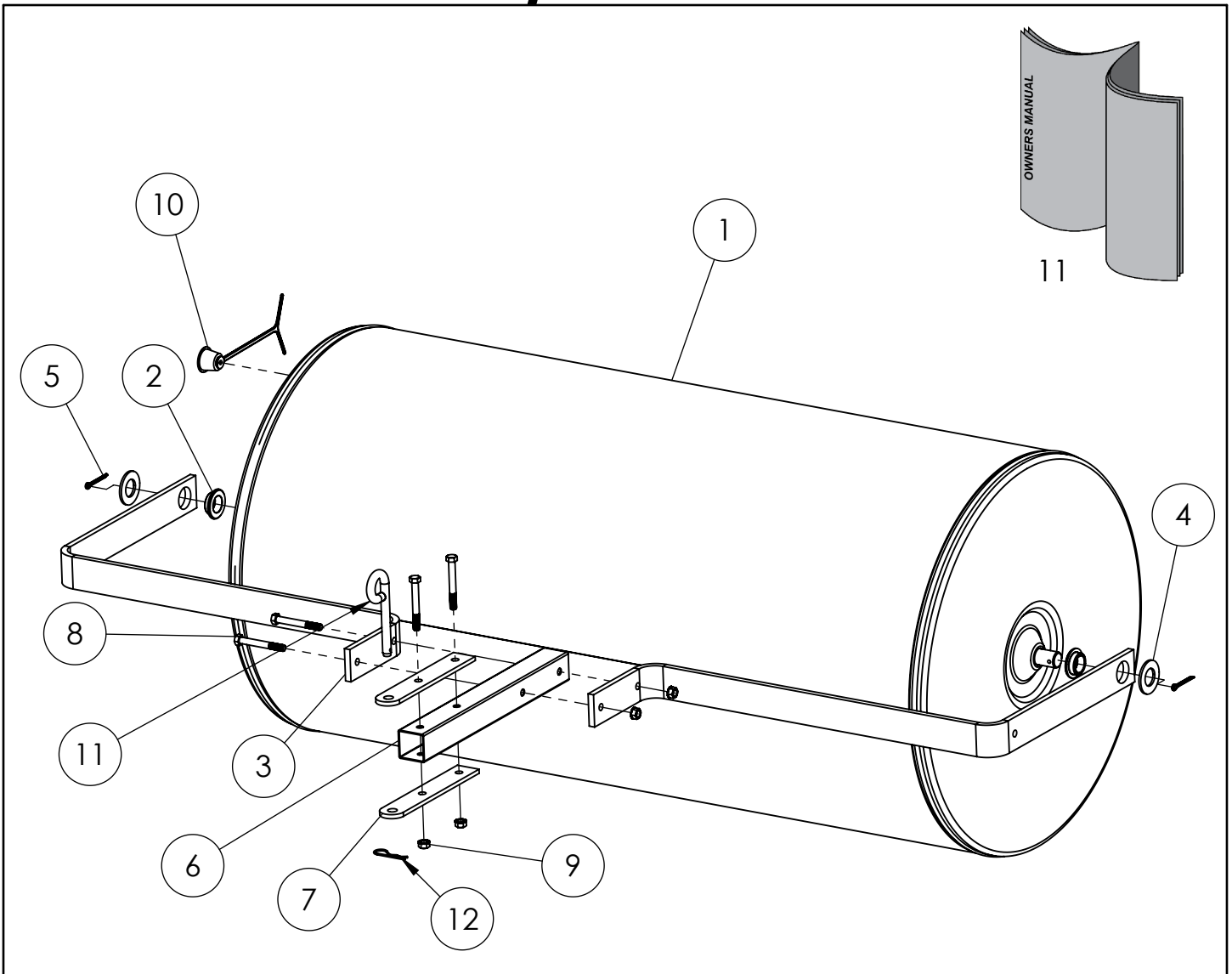


Article 587 66 99-01 / HQ-48T LR 48 STEEL LAWN ROLLER



**READ AND FOLLOW ALL SAFETY RULES AND OPERATING
INSTRUCTIONS BEFORE USING THIS EQUIPMENT**

Repair Parts



ITEM	PART NO	DESCRIPTION	QTY
1	504001-HG	ROLLER BODY	1
2	304281	FLANGED BEARING	2
3	6000571-O	SIDE BAR ASSEMBLY (incl. 304281)	2
4	300076	1" AXLE WASHER	2
5	300087	COTTER PIN	2
6	404381	HITCH TUBE	1
7	404391	CLEVIS BAR	2
8	300055	HEX BOLT, 3/8"-16 x 3"	4
9	300063	NUT 3/8"-16 KEPS	4
10	50401	PLUG	1
11	6003281	OWNER'S MANUAL	1
12	6000533	PIN, HITCH	1
13	300084	HAIRPIN COTTER, 0.093" X 2-5/16"	1