

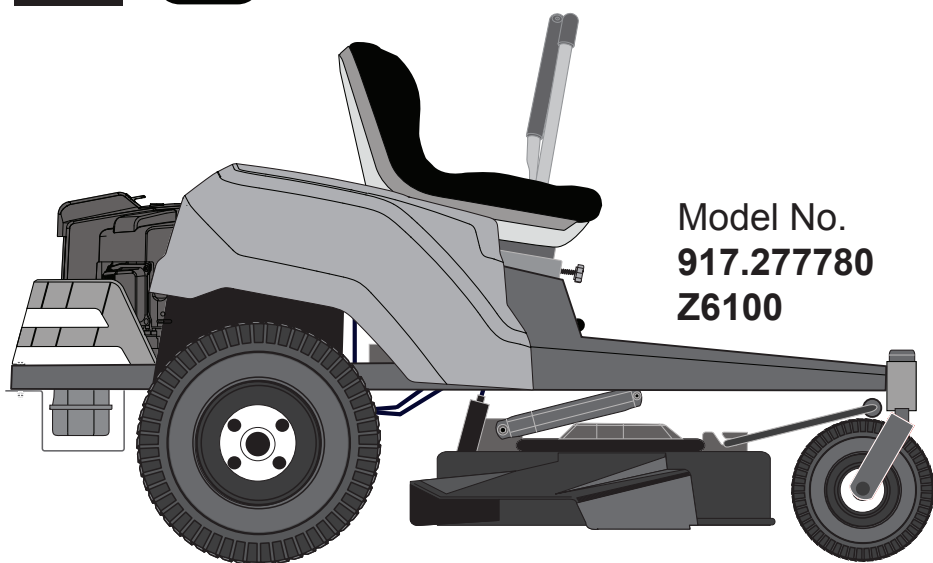
Repair Parts Manual

CRAFTSMAN®

ZERO TURN MOWER

22 HP* 46"

WITH SMART LAWN TECHNOLOGY



Model No.
917.277780
Z6100

For answers to your questions
about this product, call:

1-888-331-4569

Craftsman Customer Help Line

Sears Brands Management Corporation, Hoffman Estates, IL 60179 U.S.A.
Visit our Craftsman website: www.craftsman.com

* The power rating as declared by the engine manufacturer is the average gross power output at the specified RPM of a typical production engine for the engine model measured using SAE Standards for engine gross power. Please refer to the engine manufacturer for details.

115868727 Rev. C

For spare parts or support in service questions, warranty issues, etc., please consult the following professional:

This manual belongs to the machine with the manufacturing number:	Engine	Transmission

Manufacturing Number

The machine's manufacturing number can be found on the printed plate affixed to the engine compartment.

Stated on the plate, from the top are:

- The machine's type designation (I.D.).
- The manufacturer's type number (Model).
- The machine's serial number (Serial no.)

Please have the type designation and serial number available when ordering spare parts.

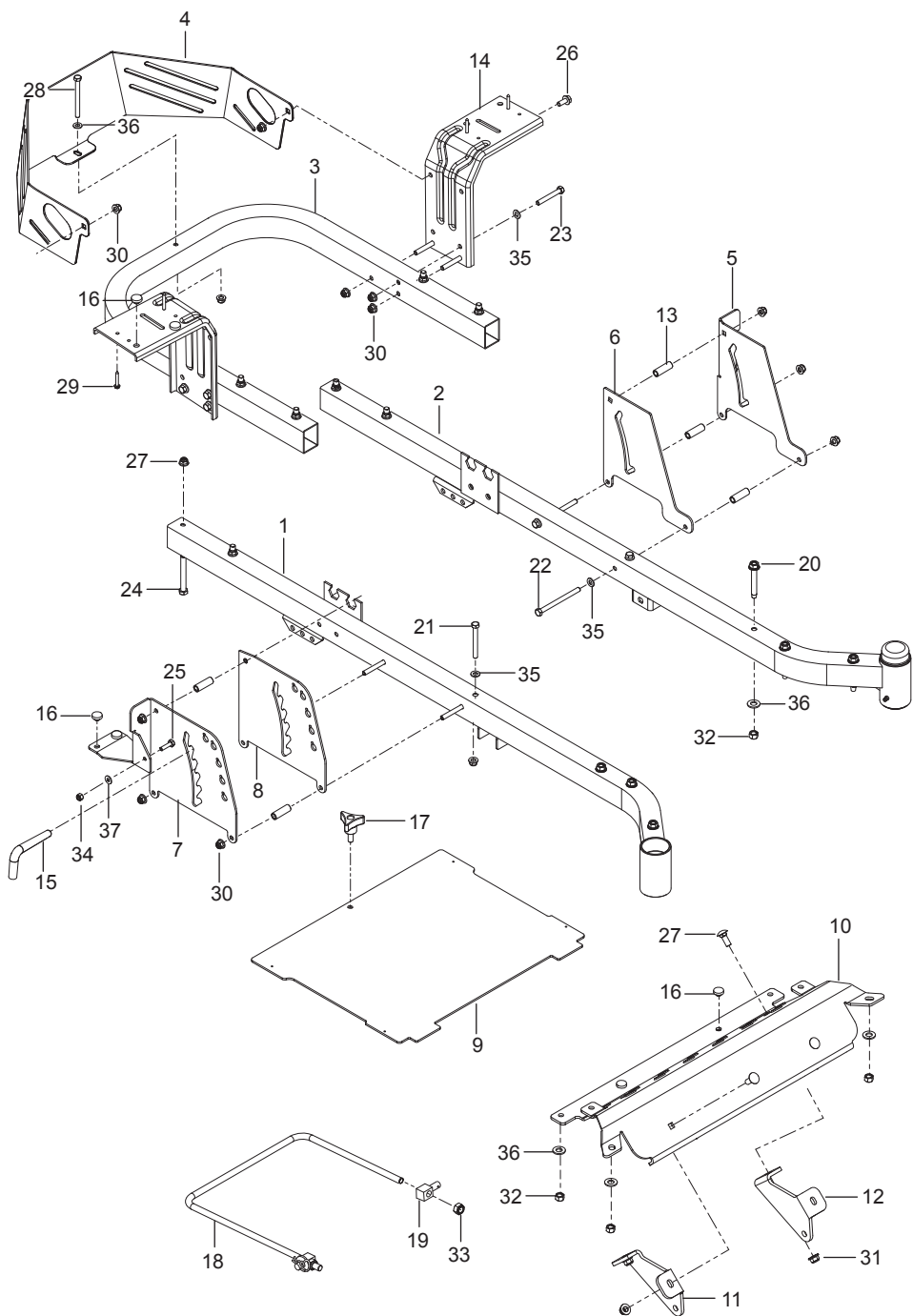
CONTENTS

FRAME	4
ENGINE MOUNTING, GUARDS & MUFFLER	6
STEERING	8
IGNITION SYSTEM.....	10
BRAKE / LIFT.....	12
HYDRAULIC PUMP-MOTOR.....	14
WHEELS & TIRES	16
MOWER DECK / CUTTING DECK	18
SEAT	20
DECALS	22

Illustrations may or may not represent the actual assemblies and it is not recommended to use this manual as a guide to assemble or disassemble the mower.

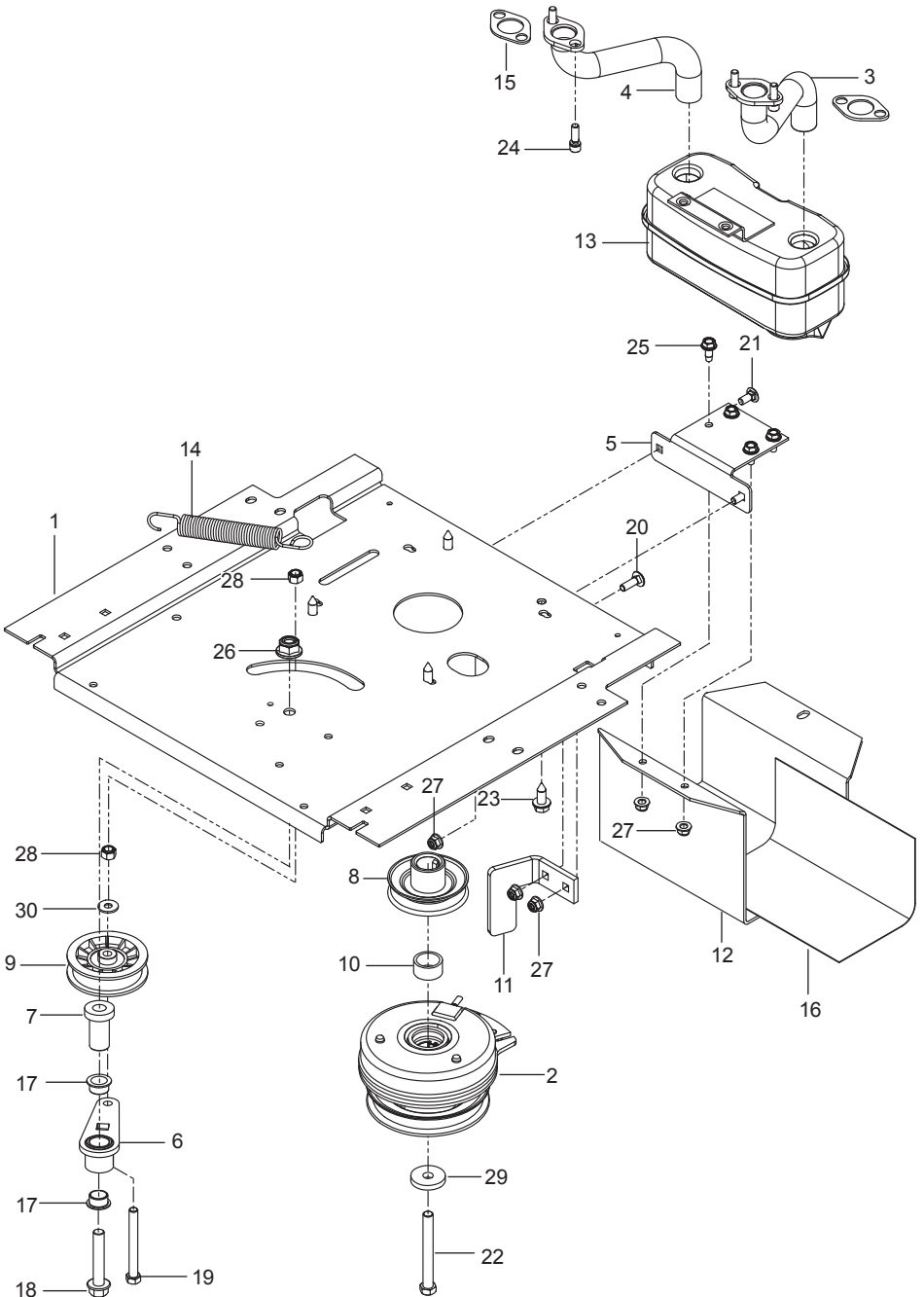
NOTE: All fasteners are Grade 5 unless otherwise specified.

FRAME



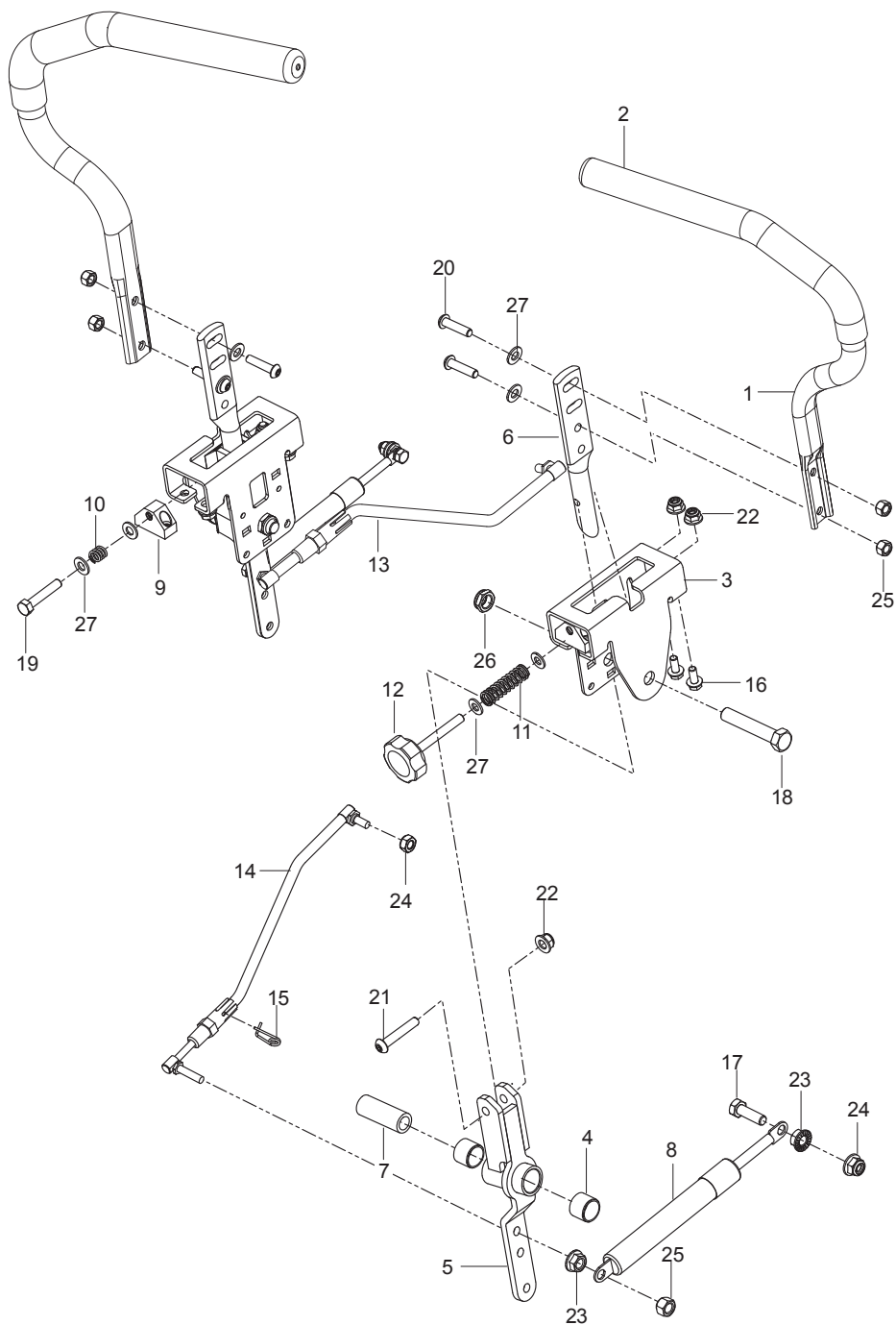
Ref.	Part No.	Qty	Description
1	510 17 74-05	1	Frame, Front Right Red
2	510 17 75-05	1	Frame, Front Left Red
3	586 44 10-06	1	Frame, Rear Tube Red
4	586 21 44-04	1	Guard, Rear Red
5	510 26 18-02	1	Plate, Outer Brake Blk
6	510 20 67-03	1	Plate, Brake Latch Blk
7	580 52 80-02	1	Plate, Lift Outer Blk
8	510 24 05-02	1	Plate, Lift Inner Blk
9	581 44 86-08	1	Plate, Foot Red
10	522 74 07-11	1	Foot Rest Red
11	581 22 28-02	1	Mount, Strut Right Blk
12	581 22 29-02	1	Mount, Strut Left Blk
13	580 48 61-01	6	Spacer
14	580 50 13-02	1	Support, Fender Blk
15	510 01 65-03	1	Pin, Lift
16	539 10 25-87	6	Grommet, Rubber
17	539 10 44-11	1	Knob w/ Stud
18	521 93 81-01	1	Link, Front Suspension
19	581 51 43-01	2	Swivel
20	577 11 77-01	6	Bolt 3/8-16 x 3 Hex Flange Head
21	874 78 05-44	2	Bolt 5/16-18 x 2-3/4 Hex Head
22	874 78 05-64	4	Bolt 5/16-18 x 4 Hex Head
23	874 78 05-36	6	Bolt 5/16-18 x 2-1/4 Hex Head
24	874 78 06-48	6	Bolt 3/8-16 x 3 Hex Head
25	874 78 04-16	2	Bolt 1/4-20 x 1 Hex Head
26	874 49 05-12	2	Bolt 5/16-18 x 3/4 Hex Flange Head
27	872 14 06-08	4	Bolt 3/8-16 x 1 Round Head Square Neck
28	874 49 05-48	1	Bolt 5/16-18 x 3 Hex Head
29	539 11 06-74	4	Screw #10-12 x 1-1/4
30	539 11 28-99	17	Nut 5/16-18 Hex Flange Nyloc
31	521 99 65-01	12	Nut 3/8-16 Hex Flange Nyloc
32	539 20 02-82	6	Nut 3/8-16 Hex Jam Nyloc
33	539 11 91-24	2	Nut 7/16-14 Hex Nyloc
34	873 80 04-00	2	Nut 1/4-20 Hex Nyloc
35	819 11 11-16	13	Washer 5/16 SAE Flat
36	819 14 16-14	6	Washer 3/8 Std Flat
37	819 09 10-16	2	Washer 1/4 SAE Flat

ENGINE MOUNTING, GUARDS & MUFFLER



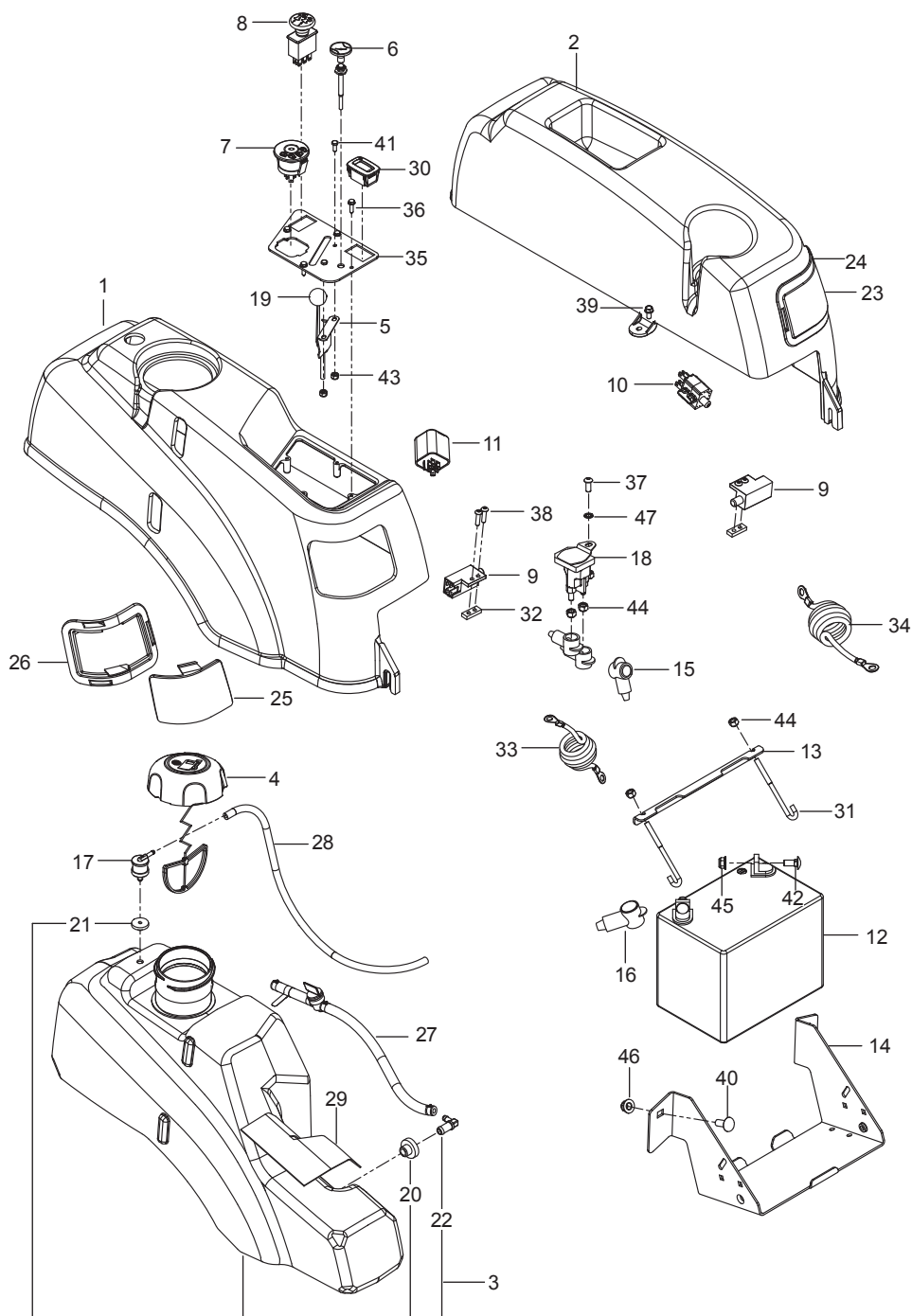
Ref.	Part No.	Qty	Description
1	588 01 71-02	1	Plate, Engine Blk
2	585 52 11-01	1	Clutch
3	581 88 11-01	1	Tube, Exhaust Left
4	581 88 10-01	1	Tube, Exhaust Right
5	581 88 67-02	1	Bracket, Muffler Blk
6	532 44 81-45	1	Arm, Idler
7	582 53 89-01	1	Spindle, Idler
8	587 53 74-01	1	Pulley, Engine
9	539 11 03-11	1	Pulley, Idler
10	539 11 22-52	1	Spacer
11	510 24 60-02	1	Stop, Clutch Blk
12	587 45 12-02	1	Guard, Muffler Blk
13	539 13 16-04	1	Muffler Assembly
14	532 19 61-05	1	Spring, Deck Drive
15	532 16 53-91	2	Gasket, Muffler
16	539 13 28-59	1	Shield, Heat
17	501 60 37-01	2	Bearing, Flanged
18	582 53 95-01	1	Bolt 1/2-13 x 2-3/4 Hex Flange Head
19	874 52 06-56	1	Bolt 3/8-16 x 3-1/2 Hex Head
20	872 14 05-08	2	Bolt 5/16-18 x 1 Round Head Square Neck
21	872 14 05-06	2	Bolt 5/16-18 x 3/4 Round Head Square Neck
22	581 33 28-04	1	Bolt 7/16-20 x 3-1/2 Hex Head
23	817 12 06-16	4	Screw 3/8-16 x 1 Thread Form
24	532 18 39-06	4	Screw 5/16-18 x 1 Socket Head
25	817 49 05 12	4	Screw 5/16-18 x 3/4 Thread Form
26	521 99 11-01	1	Nut 1/2-13 Hex Flange Nyloc
27	539 11 28-99	5	Nut 5/16-18 Hex Flange Nyloc
28	539 97 69-79	2	Nut 3/8-16 Hex Nyloc
29	532 12 61-97	1	Washer, Clutch
30	819 12 14-14	2	Washer 5/16 Std Flat
	NOT SHOWN		
	-----	1	Engine, Briggs & Stratton 22 HP For Engine Replacement Parts, See a B&S Dealer

STEERING



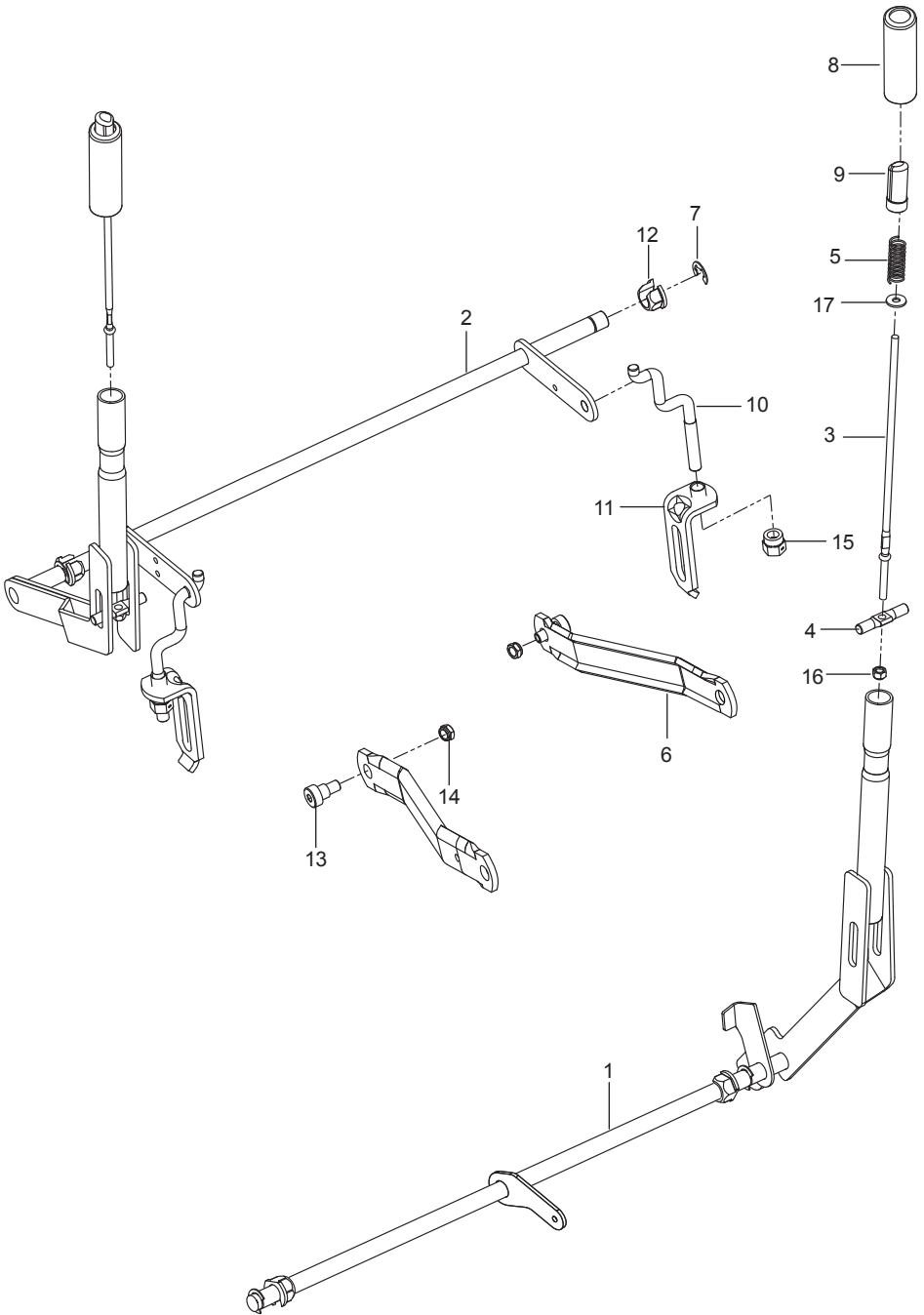
Ref.	Part No.	Qty	Description
1	590 09 08-03	1	Lever w/ Grip Right
	590 09 08-04	1	Lever w/ Grip Left
2	525 39 29-01	2	Grip, Foam
3	585 12 47-05	2	Bracket, Control
4	532 43 82-82	4	Bearing
5	587 18 77-01	2	Lever, Control
6	577 42 00-01	2	Lever, Handle
7	584 65 31-01	2	Spacer, Pivot Control
8	539 10 27-20	2	Dampener
9	581 43 75-01	2	Block, Tracking
10	539 10 28-45	2	Spring
11	576 85 03-01	1	Spring
12	539 13 1799	1	Knob
13	588 60 49-01	2	Assy, Right Control Linkage
14	588 60 50-01	2	Assy, Left Control Linkage
15	532 19 98-49	2	Clip, Spring
16	874 49 05 12	8	Bolt 5/16-18 x 3/4 Hex Flange Head
17	874 78 05-16	2	Bolt 5/16-18 x 1 Hex Head
18	874 78 08 44	2	Bolt 1/2-13 x 2-3/4 Hex Head
19	874 78 05-24	2	Bolt 5/16-18 x 1-1/2 Hex Head
20	578 29 64-03	4	Screw 5/16-18 x 1-1/4 Button Head
21	587 88 53-01	2	Screw 5/16-18 x 1-3/4 Button Head
22	539 11 28-99	12	Nut 5/16-18 Hex Flange Nyloc
23	539 99 05-85	4	Nut 5/16-18 Hex Whiz Lock
24	539 11 56 17	2	Nut 5/16-18 Thin Nyloc
25	873 80 05-00	6	Nut 5/16-18 Hex Nyloc
26	539 10 80-10	2	Nut 1/2-13 Hex Jam Nyloc Grade 2
27	819 11 11-16	8	Washer 5/16 SAE Flat

IGNITION SYSTEM



Ref.	Part No.	Qty	Description
1	578 17 90-02	1	Fender, Right Blk
2	576 37 05-01	1	Fender, Left Blk
3	578 18 06-04	1	Assy, Fuel Tank
4	585 12 48-02	1	Cap, Fuel w/ Tether
5	539 11 27-34	1	Cable, Throttle
6	539 11 24-39	1	Control, Choke
7	539 10 75-41	1	Switch, Ignition
8	582 10 76-02	1	Switch, Clutch
9	532 10 95-53	2	Switch, NC
10	532 19 78-02	1	Switch, Brake
11	589 79 56-01	1	Switch, Bluetooth®
12	539 10 24-36	1	Battery
13	510 03 00-03	1	Bracket, Battery
14	582 60 96-02	1	Box, Battery Blk
15	532 13 15-63	3	Terminal Cover
16	539 10 27-59	1	Insulator
17	576 61 81-01	1	Valve, Fuel Check
18	582 04 28-01	1	Solenoid
19	539 13 30-49	1	Knob
20	539 10 52-45	1	Grommet, Rubber
21	576 61 82-01	1	Grommet, Check Valve
22	539 11 04-32	1	Elbow
23	576 37 11 01	1	Lens, Left
24	576 37 09-01	1	Rim, Left
25	576 37 12-01	1	Lens, Right Blk
26	576 37 10-01	1	Rim, Right Blk
27	586 12 39-04	1	Assy, Fuel Line
28	587 04 45-50	1	Hose 3/16" Vapor 18"
29	522 55 91-01	1	Shield, Heat
30	586 16 08-01	1	Meter, Service
31	588 83 94-01	1	Hook, J
32	581 22 30-01	2	Plate, Tapped
33	586 10 81-01	1	Cable, Negative Blk
34	586 10 82-01	1	Cable, Positive Red
35	584 25 46-02	1	Panel, Control
36	539 11 06-73	2	Screw 10-24 x 3/4 Washer Head
37	539 11 12-29	1	Screw 1/4-20 x 5/8 Button Socket
38	574 82 27-01	4	Screw 10-24 x 3/4 Socket Head
39	817 49 04-08	2	Screw 1/4-20 x 1/2 Hex Self Tap
40	872 14 06-08	2	Bolt 3/8-16 x 1 Round Head Square Neck
41	874 32 10-08	2	Bolt 10-24 x 1/2 Hex Head
42	872 14 05-06	2	Bolt 5/16-18 x 3/4 Round Head Square Neck
43	539 97 69-77	2	Nut 10-24 Hex Nyloc
44	873 80 04-00	5	Nut 1/4-20 Hex Nyloc
45	539 11 28-99	2	Nut 5/16-18 Hex Flange Nyloc
46	521 99 65-01	2	Nut 3/8-16 Hex Flange Nyloc
47	539 99 00-53	1	Washer 1/4 Internal Lock
	NOT SHOWN		
	585 72 77-01	1	Harness, Wiring
	532 14 04-01	1	Key, Ignition

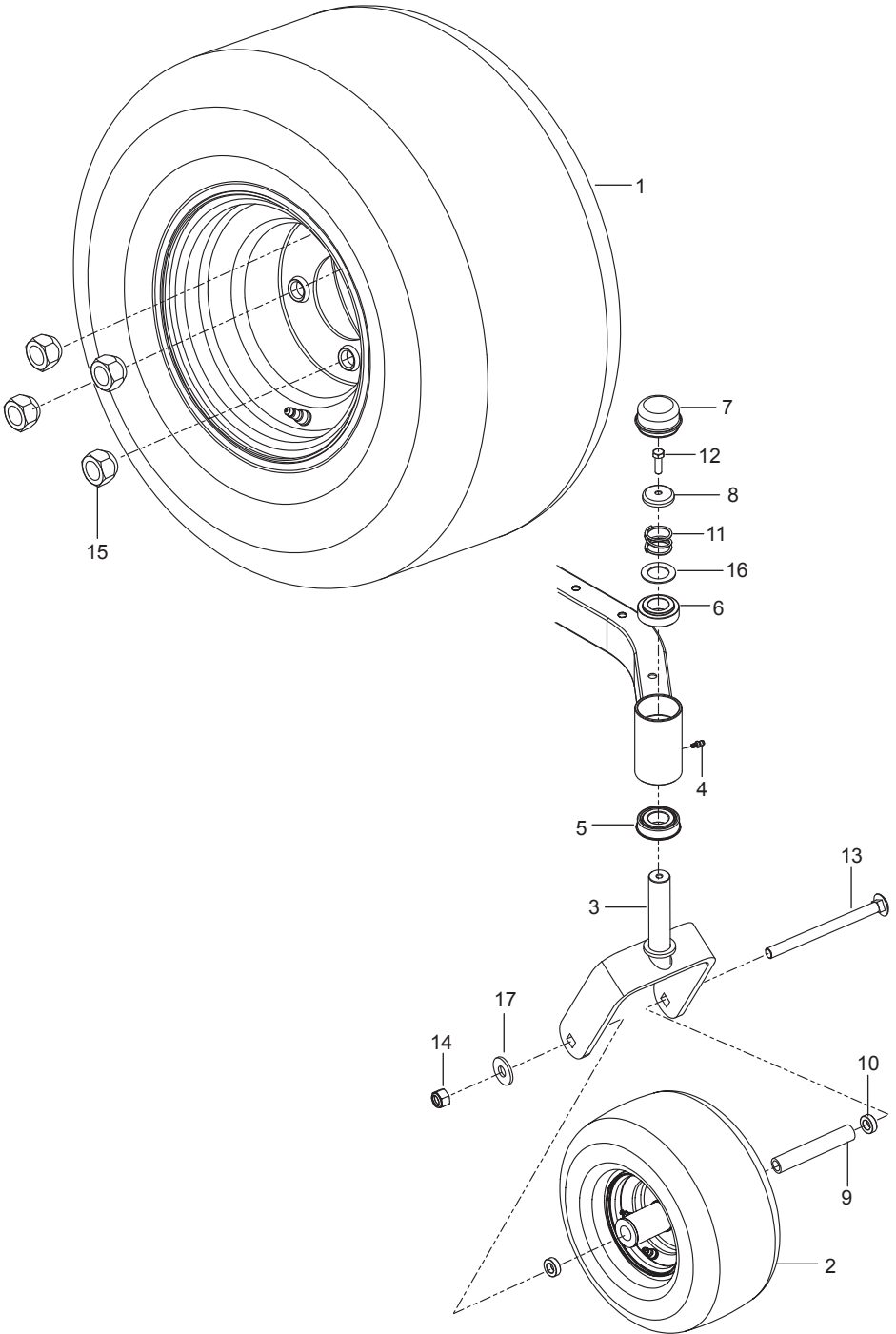
BRAKE / LIFT



Ref.	Part No.	Qty	Description
1	580 43 58-01	1	Shaft, Brake
2	586 76 02-02	1	Shaft, Lift
3	510 42 29-01	2	Rod, Handle Release
4	580 96 04-01	2	Rod, Latch Release
5	510 03 07-01	2	Spring, Compression
6	532 19 51-85	2	Arm, Suspension
7	812 00 00-02	3	E-Ring
8	510 20 72-01	2	Grip, Handle
9	510 20 73-01	2	Button, Push
10	525 84 72-01	2	Link, Rear Suspension
11	522 85 86-01	2	Bracket, Centering Link
12	510 18 49-01	4	Bushing
13	539 11 36-21	2	Bolt 5/8-16 x 1-1/4 Shoulder
14	539 20 02-82	2	Nut 3/8-16 Hex Jam Nyloc
15	532 17 59-94	2	Nut, Lift Link
16	873 80 04-00	2	Nut 1/4-20 Hex Nyloc
17	819 09 12-16	1	Washer 1/4 Flat

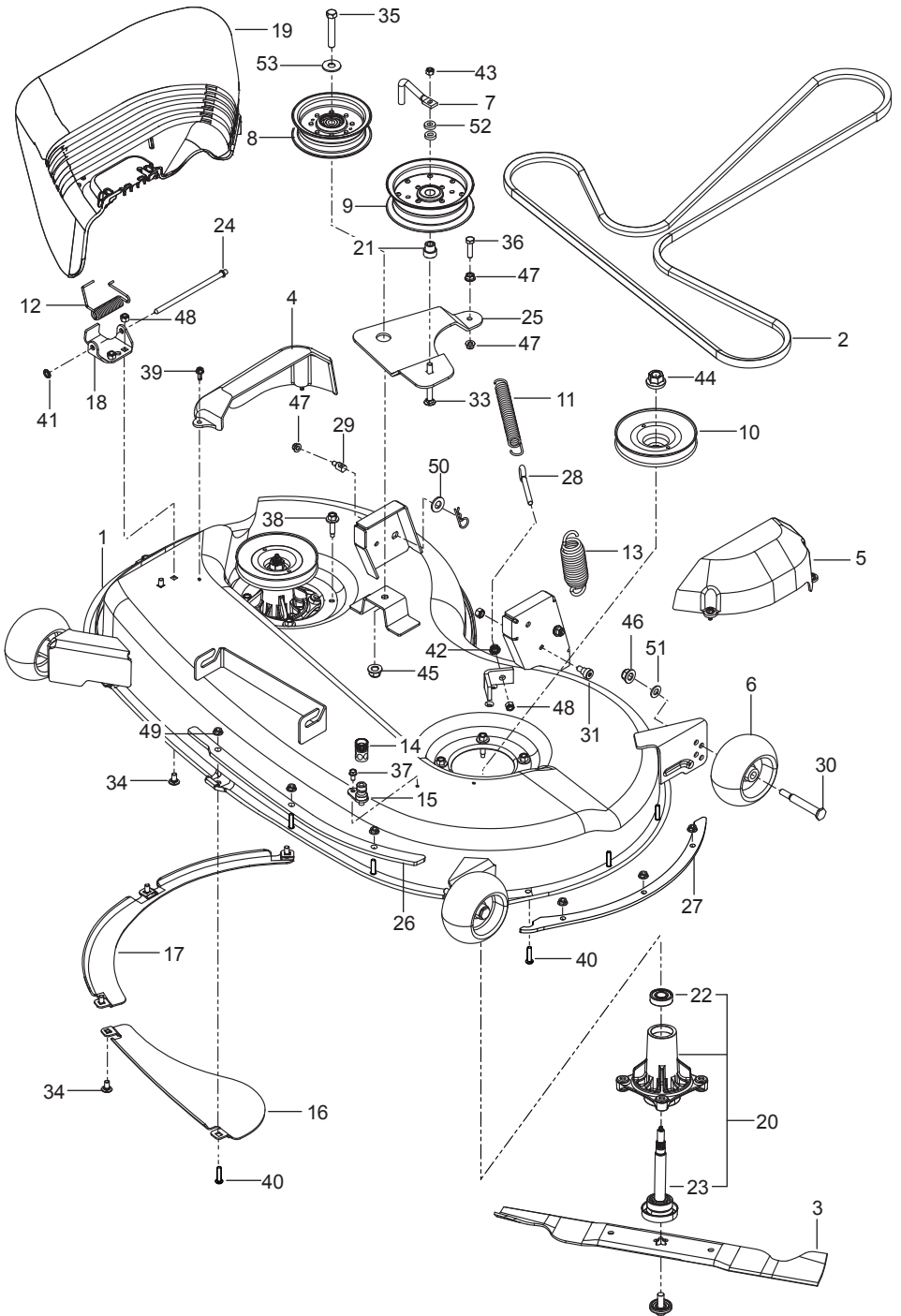
Ref.	Part No.	Qty	Description
1	510 37 56-01	1	EZT, Left
2	510 37 56-02	1	EZT, Right
3	574 03 05-01	1	Rod, EZT Brake Left
4	574 03 05-02	1	Rod, EZT Brake Right
5	539 11 04-11	1	Belt, EZT
6	539 11 03-42	2	Spring, Brake Rod
7	539 12 00-80	2	Cog, Brake Disc
8	539 12 00-79	2	Assembly Kit, Brake Arm
9	575 50 70-01	1	Assembly Kit, Hub w/ Nuts
10	501 40 36-02	2	Assembly Kit, Blade, Pulley
11	522 94 11-01	2	Link Arm, Bypass
12	510 18 41-04	2	Spacer Tube
13	580 80 65-02	2	Support, EZT Front
14	580 80 66-02	2	Mount, EZT Rear Blk
15	539 97 69-88	1	Pin
16	874 78 05-44	4	Bolt 5/16-18 x 2-3/4 Hex Head
17	874 78 05-12	2	Bolt 5/16-18 x 3/4 Hex Head
18	874 78 05-36	2	Bolt 5/16-18 x 2-1/4 Hex Head
19	874 78 06-40	4	Bolt 3/8-16 x 2-1/2 Hex Head
20	874 81 10-12	1	Screw 10-24 x 3/4 Slotted Round Head
21	873 80 05-00	8	Nut 5/16-18 Hex Nyloc
22	873 80 04-00	2	Nut 1/4-20 Hex Nyloc
23	539 97 69-77	1	Nut 10-24 Hex Nyloc
24	819 13 13-16	8	Washer 3/8 SAE Flat
25	819 09 10-16	4	Washer 1/4 SAE Flat
26	819 11 11-16	14	Washer 5/16 SAE Flat
27	810 03 06-00	4	Washer 3/8 Split Lock

WHEELS & TIRES



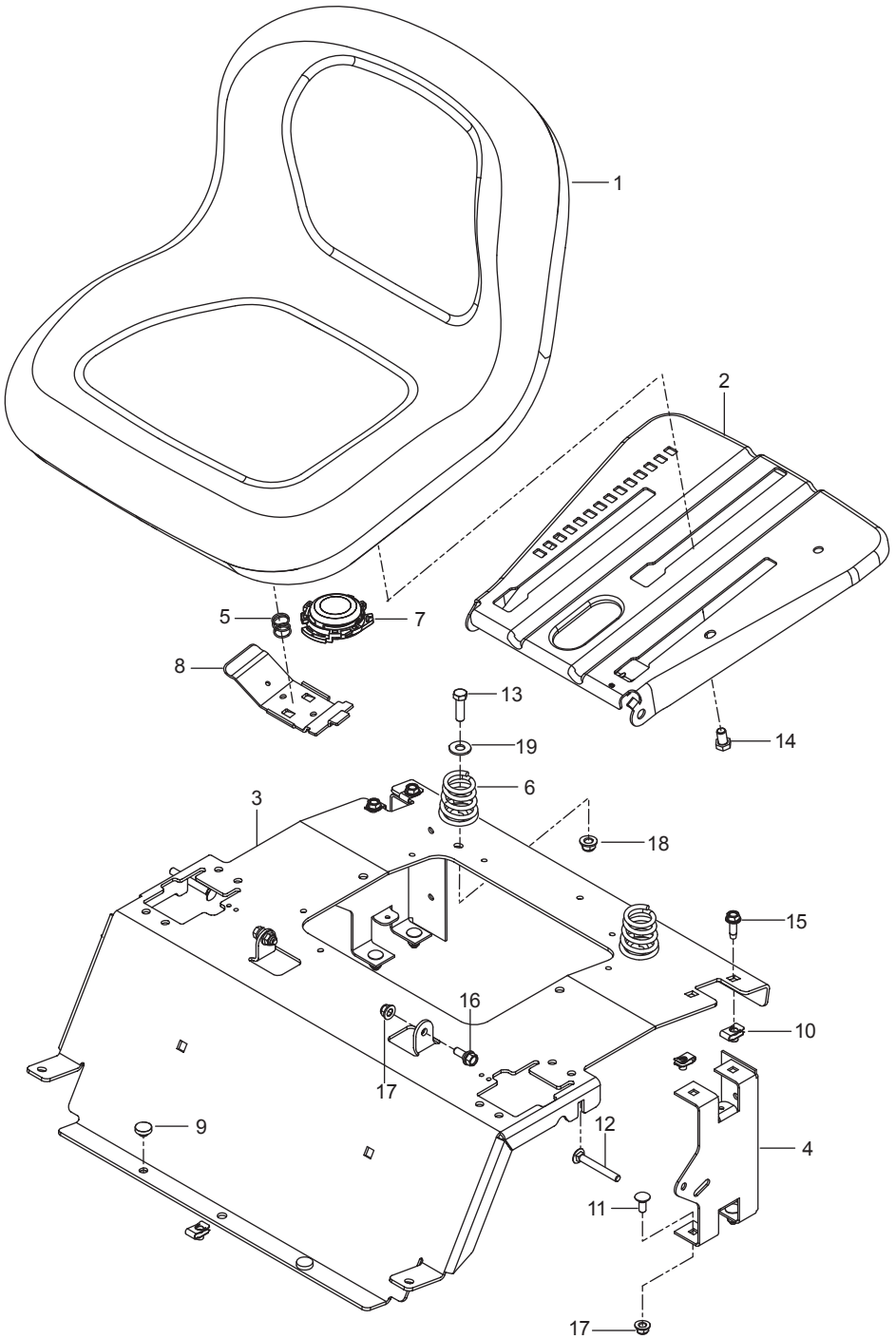
Ref.	Part No.	Qty	Description
1	579 75 34-03	2	Assy, Wheel Rear 18 x 9.50-8
2	581 19 97-02	2	Wheel Assy Caster 11 x 4.5
3	510 18 65-03	2	Yoke Red
4	539 11 56-38	2	Zerk 3/16 Drive
5	539 11 26-60	2	Bearing, Flanged
6	539 11 79-01	2	Bushing, Caster
7	539 10 25-35	2	Grease Cap
8	539 11 57-49	2	Plug, Caster
9	584 65 31-01	2	Spacer, Pivot 6"
10	581 26 92-01	2	Spacer
11	539 11 57-47	2	Spring, Caster
12	874 95 05-16	2	Bolt, Hex 5/16-18 x 1 w/ Nylon Patch
13	721 40 81-04	2	Bolt 1/2-13 x 6-1/2 Round Head Square Neck
14	873 93 08-00	2	Nut 1/2-13 Hex Center Lock
15	539 10 11-73	8	Nut 1/2 Lug
16	539 11 56-75	2	Washer
17	819 18 22-12	2	Washer 9/16

MOWER DECK / CUTTING DECK



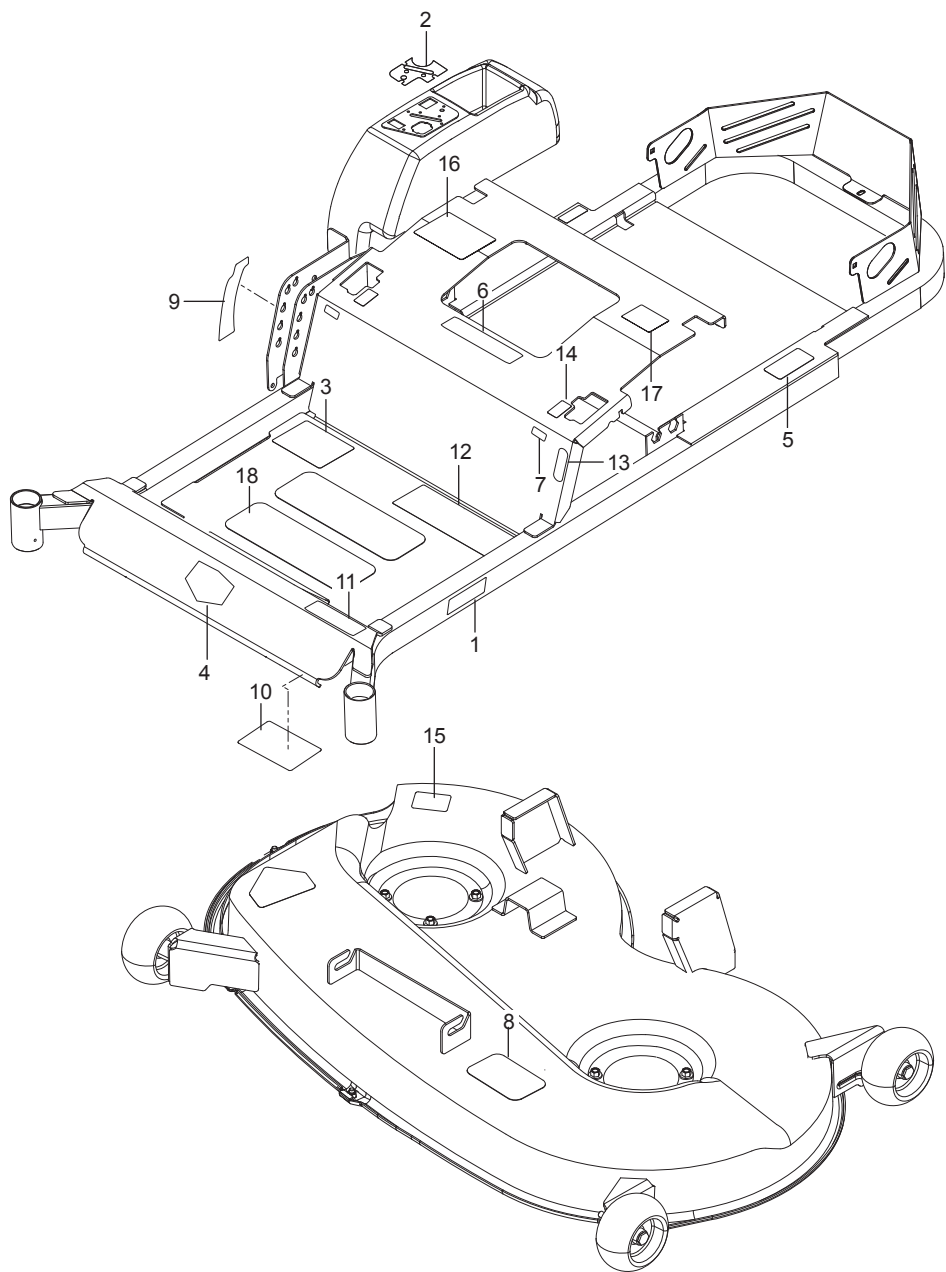
Ref.	Part No.	Qty	Description
1	522 74 43-02	1	Deck w/ Safety Decals
2	539 11 72-45	1	Belt, Deck
3	532 40 53-80	2	Blade, Hi-Lift
4	532 40 55-06	1	Shield, Belt Right
5	532 40 55-07	1	Shield, Belt Left
6	532 17 48-73	3	Wheel, Gauge
7	522 62 97-01	1	Keeper, Belt
8	532 19 61-04	1	Pulley, Idler
9	539 13 27-28	1	Pulley, Idler
10	539 11 39-62	2	Pulley, Deck
11	588 09 65-01	1	Spring, Deck Belt
12	532 17 81-02	1	Spring, Torsion
13	539 11 87-62	1	Spring
14	532 41 64-05	1	Coupling, Connect
15	532 41 55-98	1	Port, Washout
16	532 40 31-49	1	Baffle, Front
17	532 40 31-50	1	Baffle, Front Right
18	532 19 25-57	1	Bracket, Deflector
19	532 40 53-57	1	Shield, Deflector
20	587 12 52-01	2	Mandrel
21	539 11 20-76	1	Bushing, Idler
22	585 32 39-01	1	Bearing
23	587 25 56-01	1	Shaft
24	532 13 14-91	1	Rod, Hinge
25	588 09 64-02	1	Arm, Idler
26	501 06 35-02	1	Plate Front
27	585 31 78-05	1	Plate, Side
28	539 11 55-74	1	Eyebolt 5/16 x 3-1/2
29	532 19 51-61	2	Stud w/ Anti- Rotate
30	532 19 34-06	3	Bolt 3/8-16 x 3-5/8 Shoulder
31	539 11 36-21	2	Bolt 3/8-16 x 3/8 Shoulder
32	584 30 93-01	2	Bolt, Washer
33	872 11 06-18	1	Bolt 3/8-16 x 2-1/4 Round Head Square Neck
34	872 14 05-06	6	Bolt 5/16-18 x 3/4 Round Head Square Neck
35	874 78 07-40	1	Bolt 7/16-14 x 2-1/2 Hex Head
36	874 78 05-20	1	Bolt 5/16-18 x 1-1/4 Hex Head
37	539 99 10-34	1	Screw 10-24 x 5/8 Washer Head
38	584 95 39-01	8	Bolt 5/16-18 Washer Head
39	532 13 77-29	4	Screw 1/4-20 x 5/8 Thread Roll
40	578 29 64-04	6	Screw 1/4-20 Button Head
41	532 11 04-52	1	Pushnut
42	539 99 05-85	2	Nut 5/16-18 Hex Whiz Lock
43	539 20 02-82	3	Nut 3/8-16 Hex Jam Nyloc
44	532 40 02-34	2	Nut 9/16 Top Center Lock
45	873 90 07-00	1	Nut 7/16-14 Hex Nyloc
46	873 90 06-00	3	Nut 3/8-16 Flange Lock
47	539 11 28-99	3	Nut 5/16-18 Hex Flange Nyloc
48	873 80 05-00	8	Nut 5/16-18 Hex Nyloc
49	873 90 04-00	6	Nut 1/4-20 Hex Flange
50	819 21 21-13	2	Washer 5/8 SAE Flat
51	819 13 20-12	3	Washer 12 Gauge
52	539 10 95-62	2	Washer 3/8
53	539 10 48-64	1	Washer 7/16

SEAT



Ref.	Part No.	Qty	Description
1	586 50 76-01	1	Seat
2	587 23 20-02	1	Pan, Seat
3	589 48 12-02	1	Support, Seat Red
4	580 30 82-02	2	Support, Seat Rear Blk
5	532 19 82-00	1	Spring, Latch
6	589 48 35-01	2	Spring, Seat
7	539 13 21-40	1	Switch, Seat
8	532 19 76-61	1	Handle, Slide
9	539 10 25-87	2	Grommet, Rubber
10	539 10 47-63	5	Retainer, U Type
11	872 14 05-06	4	Bolt 5/16-18 x 3/4 Round Head Square Neck
12	510 42 27-01	2	Bolt 5/16-18 x 2-1/2 Round Head Square Neck
13	874 78 06-20	2	Bolt 3/8-16 x 1-5/8 Hex Head
14	874 78 06-10	1	Bolt 3/8-16 x 5/8 Hex Head
15	817 49 05-12	4	Screw 5/16-18 x 3/4 Thread Form
16	539 11 03-03	2	Bolt 5/16-18 Shoulder
17	539 11 28-99	6	Nut 5/16-18 Hex Flange Nyloc
18	521 99 65-01	2	Nut 3/8-16 Hex Flange Nyloc
19	819 14 16-14	2	Washer 3/8 Std Flat
NOT SHOWN - OPTIONAL			
	532 42 14-99	1	Kit, Arm Rest

DECALS



Ref.	Part No.	Qty	Description
1	587 38 99-01	1	Decal, Craftsman
2	589 97 31-01	1	Decal, Console Bluetooth
3	587 49 41-01	1	Decal, Start
4	587 38 98-01	1	Decal, Brand
5	539 10 83-85	1	Decal, Do Not Tow
6	539 10 57-45	1	Decal, Battery Warning
7	581 28 93-01	2	Decal, Tracking
8	510 24 02-01	1	Decal, Belt Routing
9	581 28 92-01	1	Decal, Height Adjust
10	539 10 98-97	1	Decal, Service
11	589 97 26-01	1	Decal, Z6100
12	583 93 40-01	1	Decal, Warning
13	581 28 95-01	2	Decal, Park Brake
14	581 28 94-01	2	Decal, Motion Control
15	581 72 44-01	1	Decal, Deflector Warnings
16	532 42 38-29	1	Decal, Responsibility
17	539 10 83-86	1	Decal, Exit Mower
18	539 97 77-78	1	Pad, Abrasive

CRAFTSMAN®

Product questions or problems?

1-888-331-4569

Customer Care Hot Line

**Get answers to questions, troubleshoot problems,
order parts, or schedule repair service.**

Para respuestas a preguntas o problemas, y ordenar
piezas o pedir servicio para la reparación de su equipo.

To help us help you, register your product at www.craftsman.com/registration

Para poderte ayudar mejor, registra tu producto en www.craftsman.com/registration

Join the Craftsman Club today!

CRAFTSMAN® CLUB

www.craftsman.com/signup

**Receive exclusive member benefits including special pricing and offers,
project sharing, expert advice, and SHOP YOUR WAY REWARDS!**

Como miembro exclusivo, recibe diversos beneficios como ofertas, precios especiales, proyectos nuevos, consejos de expertos y nuestro programa de puntos SHOP YOUR WAY REWARDS!

® Registered Trademark / ™ Trademark of KCD IP, LLC in the United States, or Sears Brands, LLC in other countries
© Marca Registrada / ™ Marca de Fábrica de KCD IP, LLC en Estados Unidos, o Sears Brands, LLC in otros países