

Repair Parts Manual

CRAFTSMAN[®]

LAWN TRACTOR

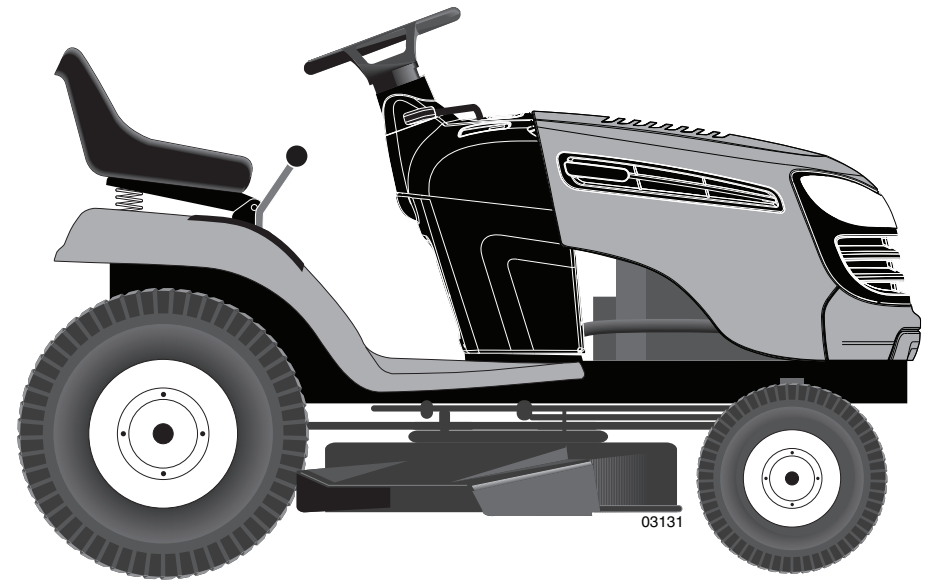
17.5 HP,* 30" Mower

Electric Start

Automatic Transmission

Model No.

917.986332



Sears Brands Management Corporation, Hoffman Estates, IL 60179 U.S.A.
Visit our Craftsman website: www.craftsman.com

* The power rating as declared by the engine manufacturer is the average gross power output at the specified RPM of a typical production engine for the engine model measured using SAE Standards for engine gross power. Please refer to the engine manufacturer for details.

CRAFTSMAN[®]

06.06.17 BD

Printed in the U.S.A.

115827428 Rev. 3

⚠WARNING: This tractor is equipped with an internal combustion engine and should not be used on or near any unimproved forest-covered, brush-covered or grass-covered land unless the engine's exhaust system is equipped with a spark arrester meeting applicable local or state laws (if any). If a spark arrester is used, it should be maintained in effective working order by the operator.

In the state of California the above is required by law (Section 4442 of the California Public Resources Code). Other states may have similar laws. Federal laws apply on federal lands. A spark arrester for the muffler is available through your nearest Sears service center (See ENGINE ASSEMBLY section of this manual).

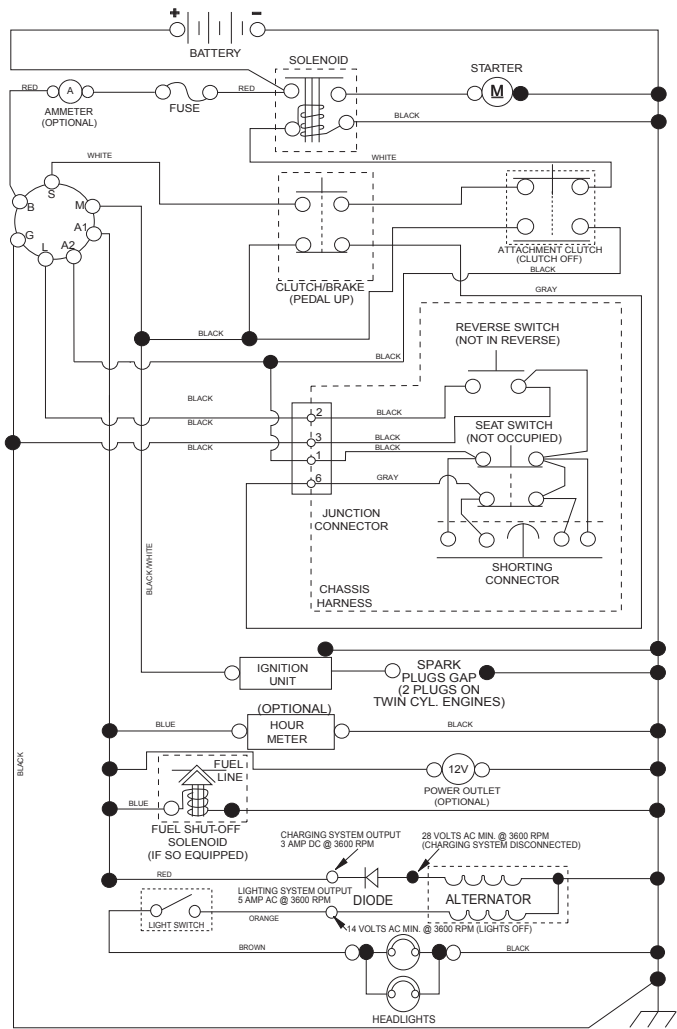
NOTES

NOTES

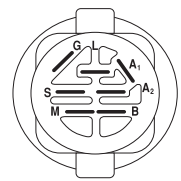
TRACTOR - - MODEL NUMBER 917.986332

SCHEMATIC

SCH11



NOTE
 YOUR TRACTOR IS EQUIPPED WITH A SPECIAL ALTERNATOR SYSTEM. THE LIGHTS ARE NOT CONNECTED TO THE BATTERY, BUT HAVE THEIR OWN ELECTRICAL SOURCE. BECAUSE OF THIS, THE BRIGHTNESS OF THE LIGHTS WILL CHANGE WITH ENGINE SPEED. AT IDLE THE LIGHTS WILL DIM. AS THE ENGINE IS SPEEDED UP, THE LIGHTS WILL BECOME THEIR BRIGHTEST.



IGNITION SWITCH

POSITION	CIRCUIT	"MAKE"
OFF	M+G+A1	
RUN/OVERRIDE	B+A1	
RUN	B+A1	L+A2
START	B + S + A1	



WIRING INSULATED CLIPS
 NOTE: IF WIRING INSULATED CLIPS WERE REMOVED FOR SERVICING OF UNIT, THEY SHOULD BE RE-INSTALLED TO PROPERLY SECURE YOUR WIRING.



TRACTOR - - MODEL NUMBER 917.986332

BRIGGS & STRATTON ENGINE-MODEL NUMBER 31R907, TYPE NUMBER 0031-G1

KEY NO.	PART NO.	DESCRIPTION	KEY NO.	PART NO.	DESCRIPTION
1	796010	Cylinder Assembly	117	699733	Jet-Main (Standard)
2	797673	Bushing/Seal Kit (Magneto Side)	118	843099	Jet-Main (High Altitude) (5000 > 9000 Feet)
3	391086s	Seal-Oil (Magneto Side)			
4	697106	Sump-Engine	121	796184	Kit-Carburetor Overhaul
5	796026	Head-Cylinder	125	591735	Carburetor
7	796584	Gasket-Cylinder Head	127	690727	Plug-Welch
7A	794114	Gasket-Cylinder Head ("33")	130	792747	Valve-Throttle
9	697109	Gasket-Breather	131	699501	Kit-Throttle Shaft
11	794683	Tube-Breather	133	694914	Float-Carburetor
12	697110	Gasket-Crankcase	135	698780	Tube-Fuel Transfer (Original Carburetor)
13	592244	Screw (Cylinder Head)			
15	690946	Plug-Oil Drain	135A	796400	Tube-Fuel Transfer (Service Carburetor)
16	591762	Crankshaft			
20	795387	Seal-Oil (PTO Side)	137	698781	Gasket-Float Bowl
22	692125	Screw (Crankcase Cover/Sump)	141	592937	Kit-Choke Shaft
23	591759	Flywheel	187	791766	Line-Fuel (Cut To Required Length)
24	591757	Key-Flywheel (Steel)			
25	796172	Piston Assembly (Standard)	188	691693	Screw (Control Bracket)
	796173	Piston Assembly (.020" Oversize)	192	691986	Adjuster-Rocker Arm
26	791936	Ring Set (Standard)	202	691841	Link-Mechanical Governor
	792649	Ring Set (.020" Oversize)	209	796260	Spring-Governor (Green)
27	698469	Lock-Piston Pin	216	691840	Link-Choke
28	796007	Pin-Piston	217	695409	Spring-Choke Return
29	794122	Rod-Connecting	222	694042	Bracket-Control
32	791118	Screw (Connecting Rod)	227	691374	Lever-Governor Control
33	792868	Valve-Exhaust	232	691842	Spring-Governor Link
34	791935	Valve-Intake	238	691843	Cap-Valve
35	691279	Spring-Valve (Intake)	240	394358s	Filter-Fuel (White)
36	691279	Spring-Valve (Exhaust)	265	691024	Clamp-Casing
37	697352	Guard-Flywheel	267	794904	Screw (Casing Clamp)
42	499586	Keeper-Valve	276	695410	Washer-Sealing
43	691968	Slinger-Governor/Oil	304	591642	Blower Housing
45	690564	Tappet-Valve	305	697102	Screw (Blower Housing) (1/4-20x1.14)
46	793880	Gear-Cam			
48	N/A	Short Block (Not Available At This Printing)	305A	793376	Screw (Blower Housing) (1/4-20x.68)
50	592842	Manifold-Intake			
51	692137	Gasket-Intake	305B	795891	Screw (Blower Housing to Intake Elbow) (#10-16x.43)
51A	796081	Gasket-Intake	305C	799370	Screw (Blower Housing) (1/4-20x.90)
53	591260	Stud (Carburetor)			
54	691148	Screw (Intake Manifold)	306	592777	Shield-Cylinder
78	691693	Screw (Flywheel Guard)	307	691693	Screw (Cylinder Shield)
94	793610	Kit-Idle Mixture	309	593934	Motor-Starter
95	690718	Screw (Throttle Valve)	310	690323	Screw (Starter Motor)
98	695408	Kit-Idle Speed	324	796308	Screen/Cup Assembly
104	694918	Pin-Float Hinge	333	592841	Armature-Magneto
105	696136	Valve-Float Needle	334	691061	Screw (Magneto Armature)
108	695419	Valve-Choke	337	792015	Plug-Spark

ELECTRICAL

TRACTOR - - MODEL NUMBER 917.986332

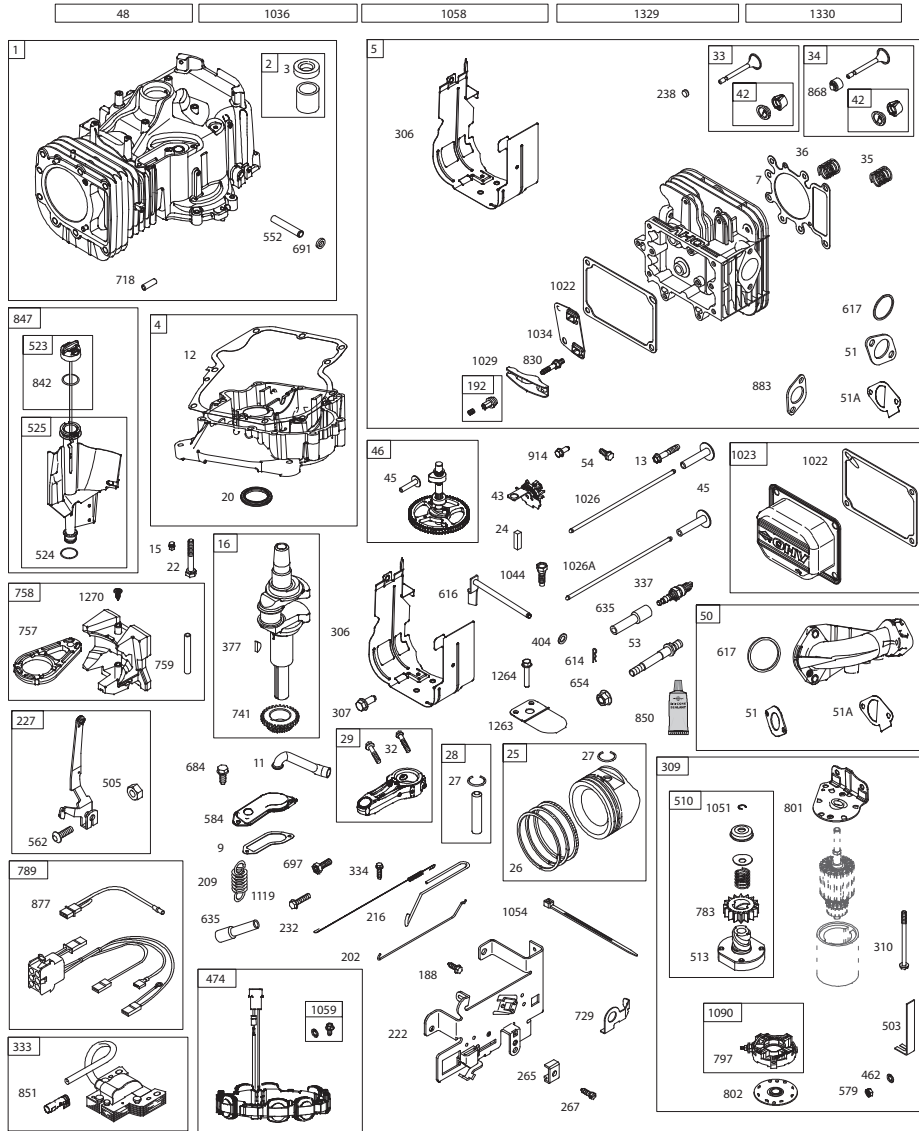
KEY NO.	PART NO.	DESCRIPTION
1	163465	Battery
2	74760412	Bolt Hex Hd 1/4-20 unc x 3/4
8	193228	Box Battery
16	176138	Switch Interlock Push-In
21	400252	Harness Socket Light w/4152J
22	4152J	Bulb Light
25	581498001	Cable Starter
26	175158	Fuse
27	73510400	Nut Keps Hex 1/4-20 unc
28	421686	Cable, Ground
29	401545	Switch, Seat
30	193350	Switch, Ign
33	411932	Key/Chain
34	110712X	Switch Light / Reset
40	581023101	Harness Ign. Dash
43	192507	Solenoid
55	17060512	Screw Thdrol5/16-18x3/4 TYTT
71	501133701	Harness Ign. Chassis
79	175242	Bulbholder Asm. Incan Descent
87	197802	Switch Interlock Clutch Cable
90	435395	Cover Terminal Battery
92	196615	Harness Pigtail Reverse Switch
93	192540	Screw Plastite 10 - 14 x 2 00
94	191834	Module Reverse Ros
99	17670412	Screw Hexwsh Thdrl 1/4-20 x 3/4
106	174814	Palnut 1/4 Lugs

NOTE: All component dimensions given in U.S. inches
1 inch = 25.4 mm

TRACTOR - - MODEL NUMBER 917.986332

BRIGGS & STRATTON ENGINE-MODEL NUMBER 31R907, TYPE NUMBER 0031-G1

TRACTOR - - MODEL NUMBER 917.986332
CHASSIS ASSEMBLY

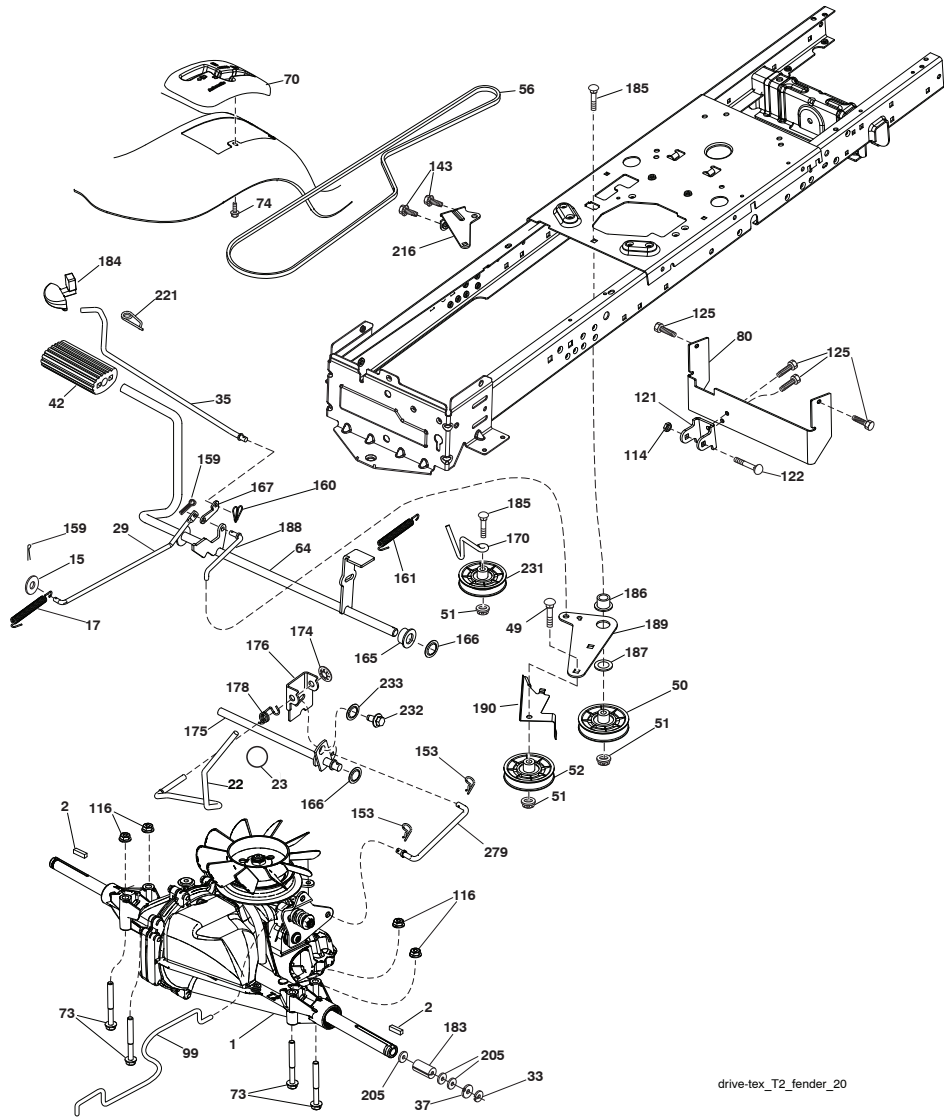


KEY PART
NO. NO.

NO.	NO.	DESCRIPTION
5	400801X428	Dash
14	198416X615	Hood
18	580427601	Grille
34	580910801	Plate Engine
36	17060512	Screw 5/16-18 x 3/4
37	414872X615	Fender
52	73680500	Nut Crown Lock 5/16-18
58	412280	Drawbar Upper
68	17490508	Screw Thdrol 5/16-18 x 1/2
125	581684801	Clip Fuel Line
130	416358	Screw #10 x 0.750
138	193224X428	Cupholder
146	581857901	Bolt
150	400267	Duct Heat Hood
151	187568	Bracket Pivot
152	199535	Shield Browning/Debris
153	400550X599	Lens
162	142432	Screw Hex Wsh Hi-Lo 1/4 x 1/2
175	199472	Crossmember
176	400776	Screw 10-24 x 5/8 Wshd Qdrx
177	195228	Bushing Steering
180	414685	Chassis
181	193102X428	Bushing Mtg. Fender Crgo.
182	407176	Dash Lower
183	74520520	Bolt Full Thd 5/16-18 x 1-1/4
189	17000512	Screw 5/16-18 x 3/4
191	416502	Insert Reflective RH
194	73900500	Nut Lock Hex Flange 5/16-18
196	414579	Console Asm. Deck Lift
202	580427401	Vent Hood Side Panel RH
203	580427501	Vent Hood Side Panel LH
213	74760512	Bolt Hex Hd 5/16-18 x 3/4
217	409167	Rod Pivot Hood
218	196395	X-Piece Hood Stop
225	400549X615	Bumper
228	195161	Stud Fastener
235	406129	Spacer Fender
236	73930500	Nut Center Lock 5/16-18
237	403704	Plug Mount Cargo
287	17600406	Screw 1/4-20 x 3/8
297	401827	Insert Reflective LH
306	73900600	Nut Lock

NOTE: All component dimensions given in U.S. inches
1 inch = 25.4 mm

TRACTOR - - MODEL NUMBER 917.986332
GROUND DRIVE



drive-tex_T2_fender_20

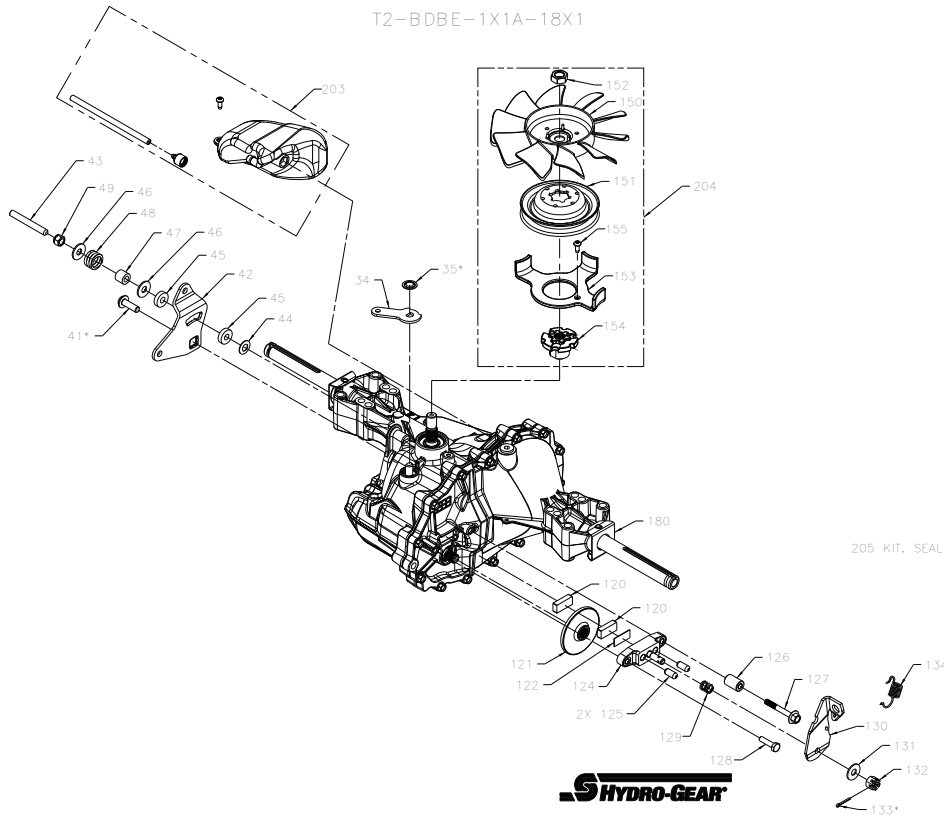
TRACTOR - - MODEL NUMBER 917.986332
HYDRO GEAR TRANSMISSION - MODEL NUMBER T2-BDBE-1X1A-18X1

KEY PART NO.	PART NO.	DESCRIPTION
34	584280701	Arm Bypass
35	584281001	Ring, Ret .375 Ext
41	584281201	Screw 5/16-18X1
42	584289801	Arm Control
43	584281301	Screw Set 5/16-24X2.50
44	584283301	Washer Belleville
45	584283101	Washer Plastic.32X.80X.21
46	584283001	Washer.34X.88X.06
47	584282801	Spacer .32X.59X.50
48	584282701	Spring Helical Comp
49	584289501	Nut,Hex 5/16-24 Nylon Insert
120	584282601	Puck.Brake
121	584282501	Rotor.Brake
122	584289601	Plate.Puck
124	584289701	Yoke.Brake
125	584287501	Pin.Brake.31X.73 Plated
126	584282401	Spacer.26X.57X.87
127	584281401	Screw 1/4-20X2.0 W/Patch
128	584281501	Screw 1/4-20X1 Patch
129	532189386	Spring, Comp Brake Anti Drag
130	532142954	Arm.Brake
131	584287401	Washer .34X.88X.06
132	584281701	Nut.Castle 5/16-24 Pl
133	584286601	Pin.Cotter 3/32X3/4
134	584281901	Spring Brake Arm Bias
150	584282001	Fan 7", 10 Blade
151	584286101	Pulley 4.0
152	584282101	Nut,Hex Ja 1/2-20 W Patch
153	587798401	Keeper, Belt
154	587798501	Hub, Pulley
155	587798701	Screw, Self-Tap 10-32 x .5 Patch
180	584281601	Spring,Clip Housing Thrust
203	587803701	Kit,Tank Expansion/Vented Cap
204	584285002	Kit,Fan & Pulley
205	584285001	Kit, Seal

NOTE: All component dimensions given in U.S. inches
 1 inch = 25.4 mm

TRACTOR - - MODEL NUMBER 917.986332

HYDRO GEAR TRANSMISSION - MODEL NUMBER T2-BDBE-1X1A-18X1



TRACTOR - - MODEL NUMBER 917.986332

GROUND DRIVE

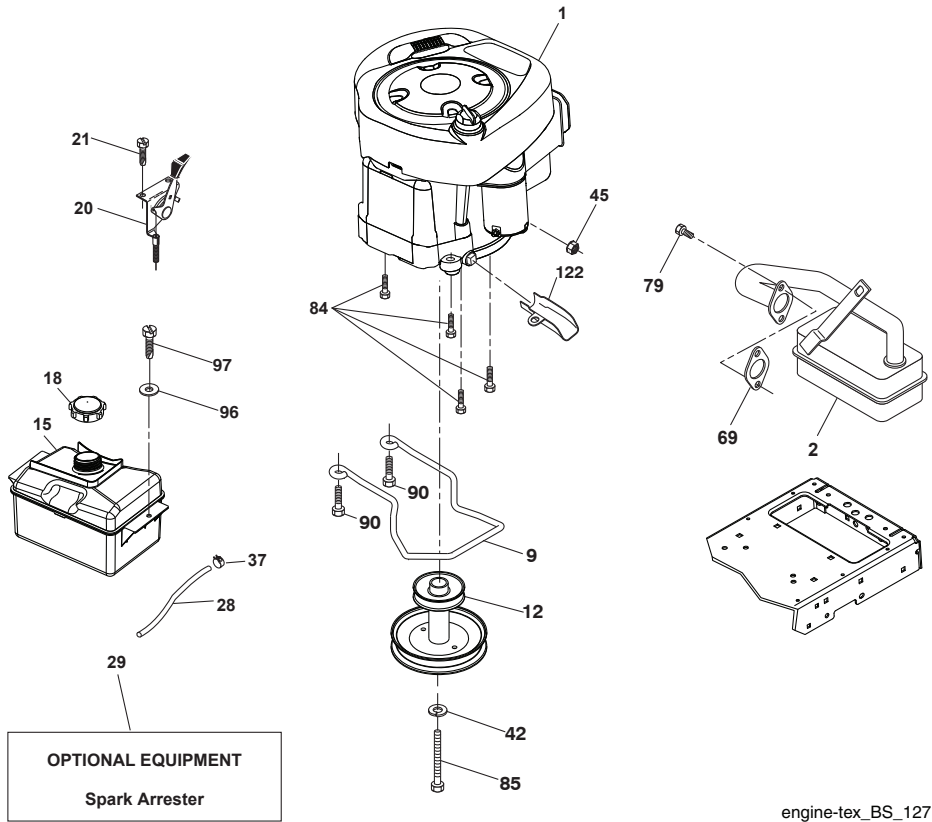
**KEY PART
NO. NO.**

1	-----	Transaxle, Hydro T2-BDBE-1X1A-18X1 (587392101) (See transaxle breakdown.)
2	123583X	Key
15	19131316	Washer 13/32 x 13/16 x 16 Ga.
17	197296	Spring, Brake
22	197660	Rod Shift
23	106933X	Knob
29	423239	Rod, Brake
33	12000001	Ring E
35	401031	Rod, Brake, Park
37	121749X	Washer 25/32 x 1-1/4 x 16 Ga.
42	8883R	Cover, Foot Pedal
49	72110614	Bolt
50	194327	Pulley Idler Flat
51	73900600	Lock Nut 3/8-16
52	194326	Idler V-Groove
56	125907X	V-Belt, Drive
64	196200	Shaft Asm. Pedal Brake Control
70	193220X428	Console Shift
73	74490544	Bolt Hex Flghd 5/16-18 Gr. 5
74	142432	Screw Hexwsh Hi-Lo 1/4 x 1/2 unc
80	581550701	Strap Torque
99	408418	Rod Asm. Bypass
114	73800500	Nut Lock Hexw/INS 5/16-18 unc
116	73900500	Nut Lock Hex Flange 5/16-18
121	175611	Bracket Strap Torque
122	72010520	Bolt 5/16-18 x 2.50
125	17000512	Screw 5/16-18 x 3/4
143	17490508	Screw 5/16-18 x 1/2
153	4497H	Retainer Spring 1"
159	76020412	Pin Cotter 1/8 x 3/4

**KEY PART
NO. NO.**

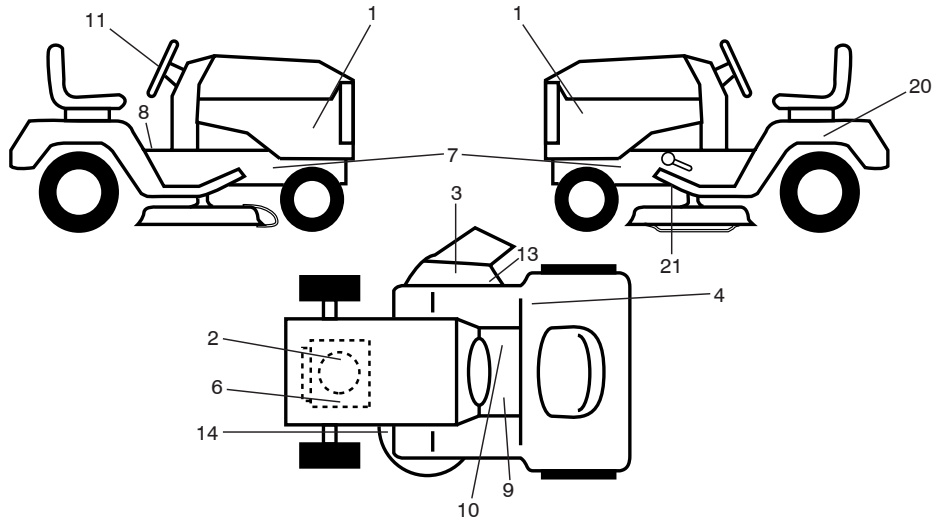
160	169484	Retainer Clip
161	105709X	Spring, Return, Clutch
165	196212	Bushing
166	429164	Nut Push .625
167	405257	Latch Brake Parking
170	413430	Keeper Belt Centerspan
174	197289	Nut Push
175	408539	Shaft Asm
176	196214	Asm Clevis Rod Shift
178	197456	Spring Shift
183	156972	Spacer Axle
184	199996X428	Handle Parking Brake
185	72110622	Bolt
186	194321	Spacer Retainer
187	19133210	Washer
188	582217001	Link Clutch Ground Drive, Long
189	194317	Bellcrank Ground Drive
190	194318	Keeper Bellcrank Ground Drive
205	121748X	Washer 25/32 x 1-5/8 x 16 Ga.
216	196131	Bracket Pulley Idler
221	403187	Retainer Spring Clip Handle
231	407287	Idler V-Groove
232	74780716	Bolt Fin Hex 7/16-14 x 1
233	405296	Washer Serrated
279	424155	Link Shift

NOTE: All component dimensions given in U.S. inches
1 inch = 25.4 mm



TRACTOR - - MODEL NUMBER 917.986332

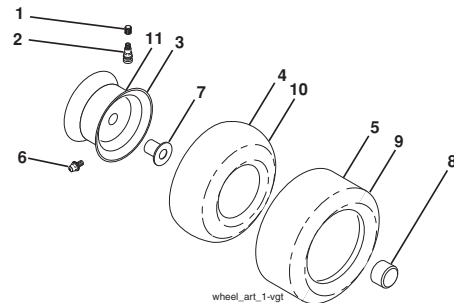
DECALS



KEY PART NO. NO.	DESCRIPTION
1 581744401	Decal Side Panel Logo
2 586336801	Decal Eng. H.P.
3 584904601	Decal, Deflect. Warning
4 501082601	Decal, ECM
6 581579701	Decal Warning Engine Symbols
7 581579601	Decal Chassis Hot Muffler
8 581578101	Decal Fender Warn
9 581724001	Decal Brake/Clutch Symbols
10 581578001	Decal Saddle Brake Parking
11 581894601	Decal Ins Strg Whl

KEY PART NO. NO.	DESCRIPTION
13 581579301	Decal Deflect. Warn. Cutfrgr.Sym.
14 581580004	Decal V-Belt Schematic
20 145005	Decal Bat Dan/Psn
21 421534	Decal V-Belt Sch.
-- 581724601	Decal Drawbar Load Limit
-- 581724801	Decal Bypass
-- 193226X428	Pad Footrest LH
-- 193227X428	Pad Footrest RH
-- 115827326	Manual Operator's (English)
-- 115827428	Manual Parts (English)

WHEELS & TIRES



KEY PART NO. NO.	DESCRIPTION
1 59192	Cap Valve Tire
2 65139	Stem Valve
3 421554X613	Rim Asm 6 x 3.25 Front
4 421652	Tube Front (Service Item Only)
5 123410X	Tire Front 13 x 5-6
6 278H	Fitting Grease (Front Wheel Only)
7 9040H	Bearing Flange (Front Wheel Only)
8 104757X428	Cap Axle Blk 1 50 x 1 00
9 106230X	Tire, Rear 16 x 6.5-8
10 7154J	Tube Rear (Service Item Only)
11 421533X613	Rim Asm 8 x 5.375 Rear Service
-- 144334	Sealant, Tire (10 oz. Tube)

NOTE: All component dimensions given in U.S. inches
1 inch = 25.4 mm

TRACTOR - - MODEL NUMBER 917.986332

ENGINE

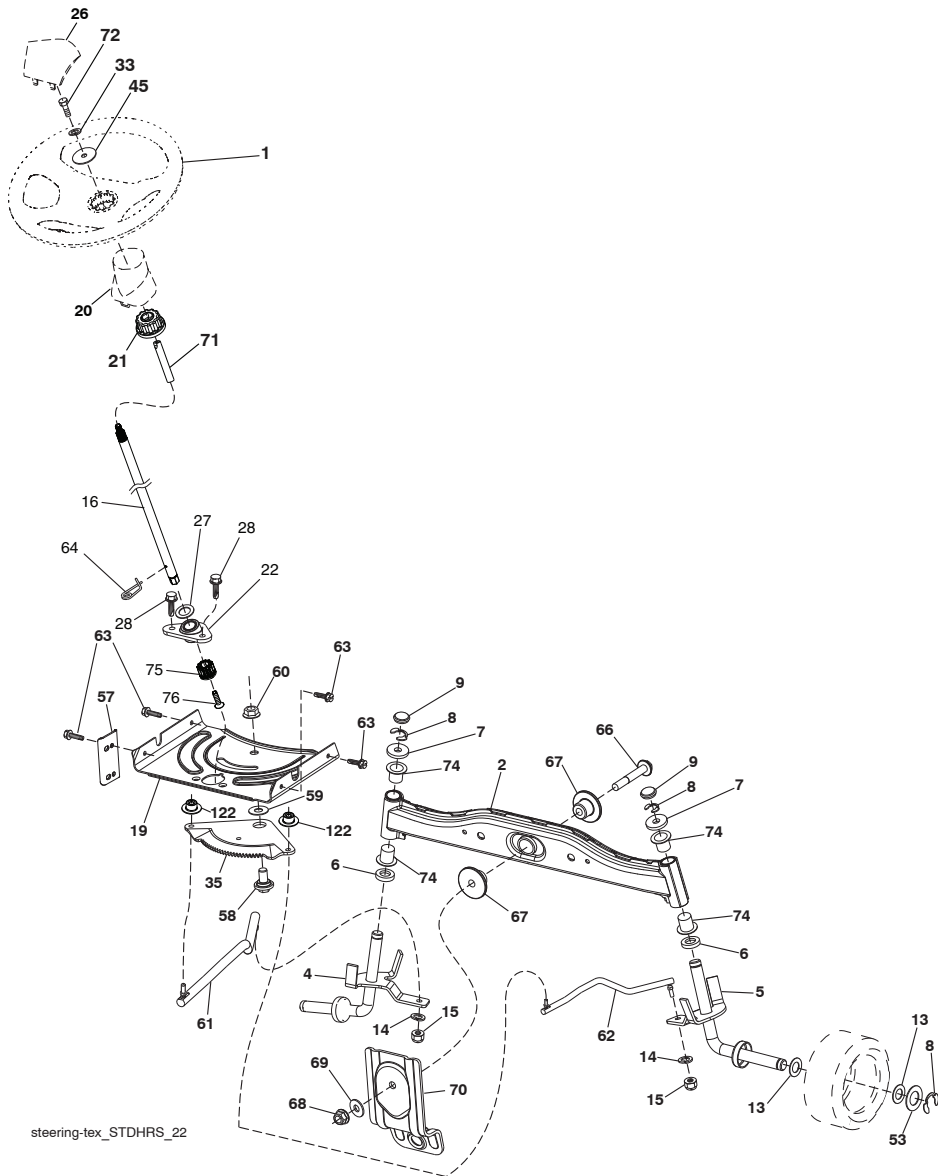
KEY PART NO. NO.	DESCRIPTION
1 - - - -	Engine B&S Model No. 31R907-0031-G1 (587306101) (See engine breakdown.)
2 137352	Muffler
9 582540302	Keeper Belt Engine
12 140186	Pulley Engine
15 581289901	Tank Fuel 1.50
18 430220	Cap Asm
20 176636X428	Control Throttle
21 416358	Screw #10 x 0.750
28 137040	Fuel Line
29 137180	Spark Arrester Kit
37 123487X	Clamp Hose
42 10040700	Washer Lock 7/16
45 73510400	Nut Keps Hex 1/4-20 unc
69 165291	Gasket
79 192334	Screw Socket Hd 5/16-18 x .75
84 17060620	Screw 3/8-16 x 1-1/4
85 173937	Bolt Hex 7/16-20 x 4 x Gr. 5-1.5
90 17000616	Screw 3/8-16 x 1.0
96 19091416	Washer 9/32 x 7/8 x 16 Ga.
97 17670412	Screw 1/4-20 x 3/4
122 421922	Extension Drain Oil

NOTE: All component dimensions given in U.S. inches
1 inch = 25.4 mm

Engine Power Rating Information

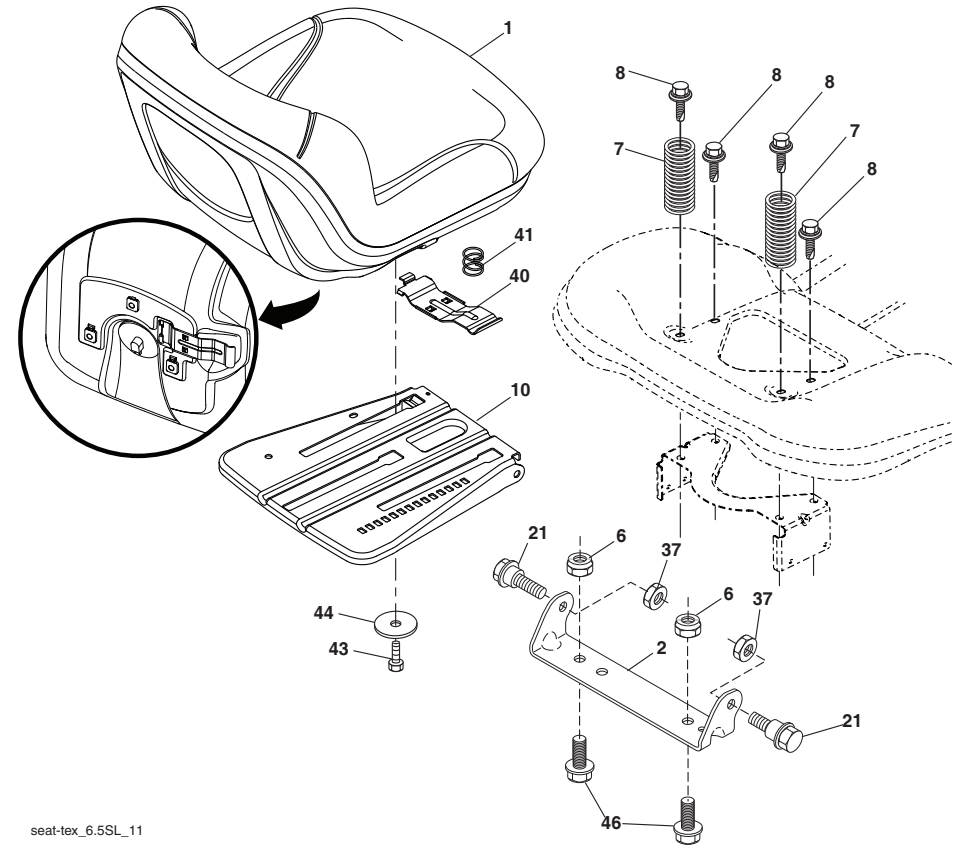
The gross power rating for individual gas engine models is labeled in accordance with SAE (Society of Automotive Engineers) code J1940 (Small Engine Power & Torque Rating Procedure), and rating performance has been obtained and corrected in accordance with SAE J1995 (Revision 2002-05). Torque values are derived at 3060 RPM; horsepower values are derived at 3600 RPM. Actual gross engine power will be lower and is affected by, among other things, ambient operating conditions and engine-to-engine variability. Given both the wide array of products on which engines are placed and the variety of environmental issues applicable to operating the equipment, the gas engine will not develop the rated gross power when used in a given piece of power equipment (actual "on-site" or net power). This difference is due to a variety of factors including, but not limited to, accessories (air cleaner, exhaust, charging, cooling, carburetor, fuel pump, etc.), application limitations, ambient operating conditions (temperature, humidity, altitude), and engine-to-engine variability. Due to manufacturing and capacity limitations, Briggs & Stratton may substitute an engine of higher rated power for this Series engine.

TRACTOR - - MODEL NUMBER 917.986332
STEERING ASSEMBLY



steering_tex_STDHRS_22

TRACTOR - - MODEL NUMBER 917.986332
SEAT ASSEMBLY



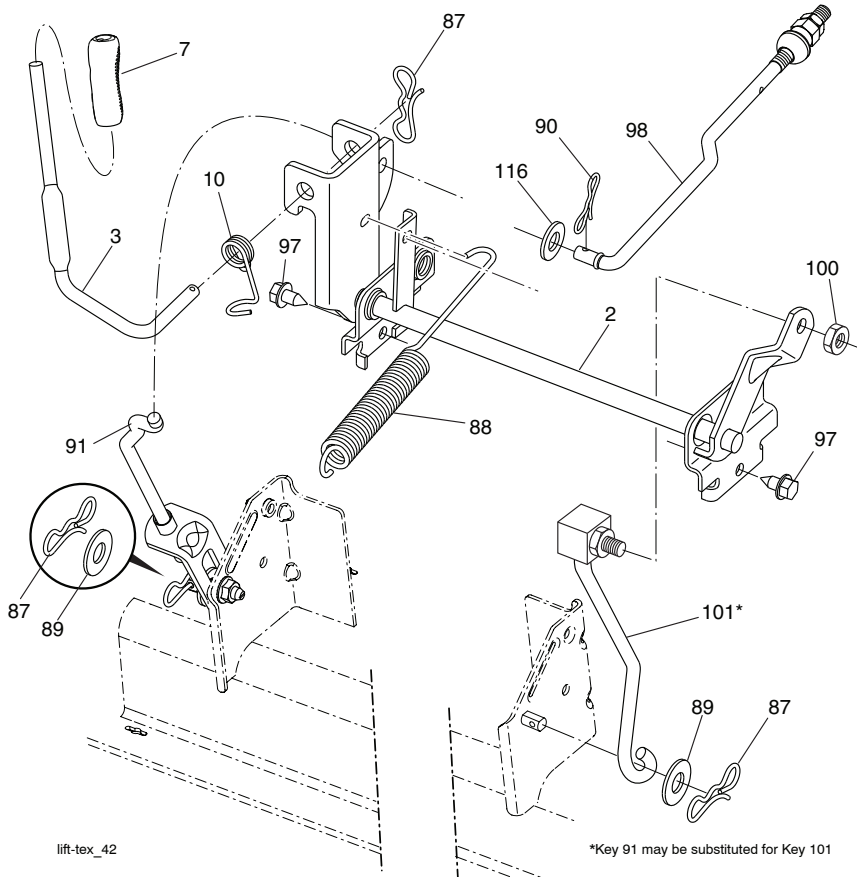
seat_tex_6.5SL_11

KEY PART NO.	NO.	DESCRIPTION
1	423644	Seat
2	180166	Bracket Pivot Fender
6	73800600	Nut, Lock w/Ins. 3/8-16 unc
7	587613301	Spring, Seat Cprsn
8	171877	Bolt 5/16-18 unc x 3/4 w/Sems
10	196977	Pan, Seat
21	587907801	Bolt, Shoulder 5/16-18 x 5/8
37	73800500	Nut, Lock 5/16-18 unc
40	197661	Handle Slide

KEY PART NO.	NO.	DESCRIPTION
41	198200	Spring Latch
43	74760612	Bolt 3/8-16 unc x 3/4
44	19133812	Washer 13/32 x 2 3/8 x 12 Ga.
46	588090401	Bolt 3/8-16 x 1, 1.25 OD

NOTE: All component dimensions given in U.S. inches
 1 inch = 25.4 mm

TRACTOR - - MODEL NUMBER 917.986332
LIFT ASSEMBLY



KEY PART NO.	NO.	DESCRIPTION
2	422027	Shaft Asm., Lift
3	195231	Lever Asm., Lift RH
7	445060X428	Grip, Lever
10	196314	Spring Torsion
87	194209	Pin Cotter 7/16 Bow Tie Lock
88	410710	Spring Lift Assist
89	19191912	Washer Clear Zinc
90	194208	Pin Cotter 5/16 Bow Tie Lock
91	195181	Link Lift Susp Mower Rear

KEY PART NO.	NO.	DESCRIPTION
97	17000612	Screw 3/8-16 x .75
98	195264	Link Lift Susp. Front Mower
100	73930600	Nut Centerlock 3/8-16 unc
101	407003	Link Asm. Lift FXD
17	19151516	Washer 15/32 x 15/16 x 16 Ga.

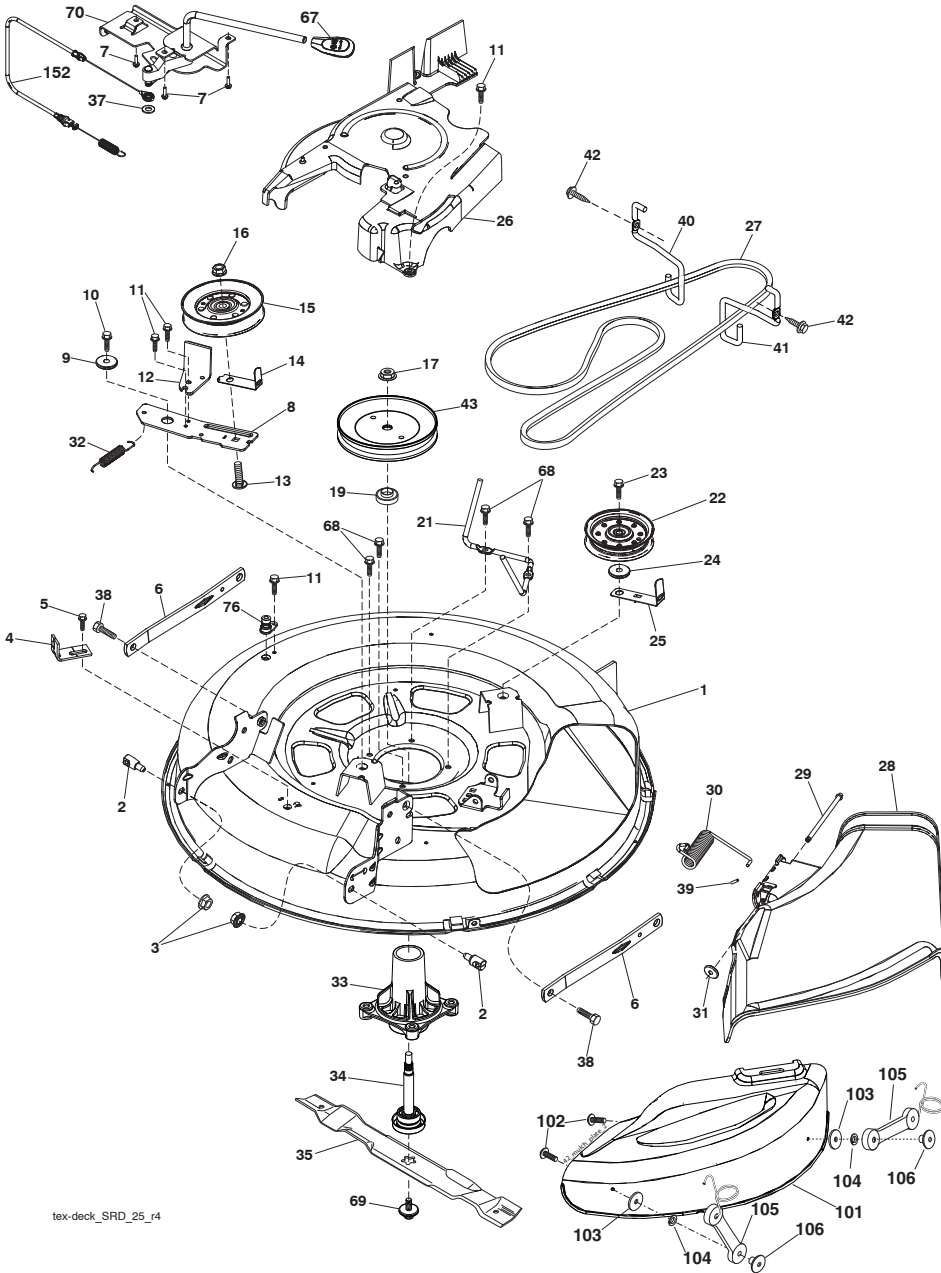
NOTE: All component dimensions given in U.S. inches
 1 inch = 25.4 mm

TRACTOR - - MODEL NUMBER 917.986332
STEERING ASSEMBLY

KEY PART NO.	NO.	DESCRIPTION
1	414803X428	Wheel, Steering
2	418168	Axle Asm., Front
4	416845	Spindle Asm., LH
5	416846	Spindle Asm., RH
6	6266H	Washer Thrust 0.75 x 1.23
7	121748X	Washer 25/32 x 1-5/8 x 16 Ga.
8	12000029	Ring, Clip #T5304-75
9	121232X	Cap, Spindle
13	121749X	Washer 25/32 x 1-1/4 x 16 Ga.
14	10040600	Washer Lock 3/8
15	73540600	Nut, Crown Lock 3/8-24 unf
16	585869202	Shaft Steering
19	194729	Plate Steering
20	400803X428	Boot, Steering
21	186737	Adapter, Wheel Steering
22	585029802	Bearing Subasm Shaft Steer Low
26	414852X428	Insert, Wheel Steering
27	19211616	Washer 21/32 x 1 x 16 Ga.
28	17000612	Screw 3/8-16 x 3/4
33	10040500	Washer Lock 5/16
35	194732	Gear, Sector Plate
45	19113812	Washer 11/32 x 2-3/8 x 12 Ga.
53	188967	Washer Hardened .793 x 1.637 x .060
57	407465	Bracket Upstop
58	194747	Bolt Shoulder Sector Pivot CFM
59	194748	Washer Thrust Sector Steering
60	73971000	Nut Flange Lock 5/8-11
61	194740	Draglink, LH
62	194741	Draglink, RH
63	17000512	Screw 5/16-18 x 3/4
64	199849	Retainer Clip Spring Steering
66	71020748	Bolt Hex Fghd 7/16-14 x 3 Serr
67	194737	Bushing PM Front Axle
68	73900700	Nut Lock Flange 7/16-14 Gr. 5
69	199162	Washer 1.5 x .505 x .118
70	417065	Bracket Deck Susp. Front
71	190752	Shaft Ext. Steering
72	428982	Bolt Fin Hex 5/16-18 x 4
74	3366R	Bearing
75	580683701	Pinion
76	580683601	Screw Head Socket
122	444962	Cap Gear Sector

NOTE: All component dimensions given in U.S. inches
 1 inch = 25.4 mm

MOWER DECK
TRACTOR -- MODEL NUMBER 917.986332



tex-deck_SRD_25_r4

MOWER DECK
TRACTOR -- MODEL NUMBER 917.986332

KEY PART NO. NO.	DESCRIPTION	KEY PART NO. NO.	DESCRIPTION
1	419272 Deck Weldment 30"Srd	39	105304X Cap Sleeve
2	195161 Stud Fastner w/d'anti-Rotatio	40	419270 Keeper Belt Engine LH
3	73900500 Nut Lock Hex Flange 5/16 - 18	41	419265 Keeper Belt Engine RH
4	417645 Bracket Clutch Cable	42	17000612 Screw Hexwsh THDR 3/8-16 x 3/4 BL
5	17000510 Bolt 5/16-18	43	416877 Pulley Mandrel 6 5 Pd 30"
6	418863 Arm Susp Mower Rear Srd	67	198398X428 Handle clutch cable
7	416358 Screw #10 x 0.750 BOS Thread	68	584953901 Bolt Hex Washer Head 313-18 x 1.19
8	420252 Arm Idler 30"Srd	69	587309301 Screw 7/16-20 x 1 Hx
9	199092 Spacer Retainer	70	401246 Clutch Asm. Manual
10	17000616 Screw3/8-16X1SmgmlTap/RBlk	76	415598 Port Washout
11	137729 Screw Thd Roll 1/4 - 20 X 5/8	101	417343 Cover Mulch
12	199470 Arm Brake Mower 38" RH Tex	102	71081010 Screw Pan Hd Phillips 10-24 x 5/8
13	72110612 Bolt Carr Sh 3/8 - 16 X 1 - 1/2 Gr5	103	19061216 Washer #10
14	156085 Keeper Belt Idler	104	10071000 Washer Lock #10
15	146763 Pulley Idler V-Groove Dim 4.25	105	160793 Latch Asm.
16	73900600 Nut Lock FIG 3/8 - 16 unc	106	2029J Nut Weld .327/.304 #10-24
17	400234 Nut Flange Lock Top	152	435111 Manual Clutch Cable
19	585323901 Bearing Ball Mandrel	--	587253301 Mandrel Assembly (Includes Housing(key #33),Shaft Assembly (key #34), And Bearing (key #19) Only - Pulley/Nut/Washer And Blade Bolt/Washers Not Included)
21	416910 Keeper Belt Mandrel 30"	--	581791101 Replacement Mower Complete
22	193198 Pulley Idler Flat Unplated		
23	17490628 Screw Thdrol 3/8 - 16 X 1-3/4		
24	19132012 Washer 13/32 X 1 - 1/4 X 12 Ga		
25	420253 Keeper Belt 30"Srd		
26	420255 Cover Mandrel Mwr 30"Black V-Belt Drive		
27	419271 Deflector		
28	417344 Hinge Pin		
29	420895 Spring Torsion		
30	197026 Nut Push		
31	110452X Spring Return Deck 38/46"		
32	401872 Housing Mandrel 4pt Service		
33	187281 Shaft Asm Mndrl N/Greaseable 38		
34	587256501 Blade Mower Bagging Srd		
35	419273 Washer 13/32 x 13/16 x 16 Ga.		
37	19131316 Bolt Shoulder		
38	196539		

NOTE: All component dimensions given in U.S. inches
 1 inch = 25.4 mm