

**REPAIR PARTS MANUAL**  
**MODEL NO. 990040**  
**Lawn Tractor**

---



# HOW TO USE THIS MANUAL

This manual is designed to provide the customer with a means to identify the parts on his/her tractor when ordering repair parts. The illustrations may or may not represent the actual assemblies; therefore, it is not recommended to use this manual as a guide to assemble or disassemble the tractor. Some hardware and parts are drawn larger in order to more readily identify them.

Each tractor has its own model number.

The model number for your tractor can be found on the fender under the seat.

When ordering parts, always give the following information:

- Product - "Tractor"
- Model Number - "990040"
- Part Number
- Part Description

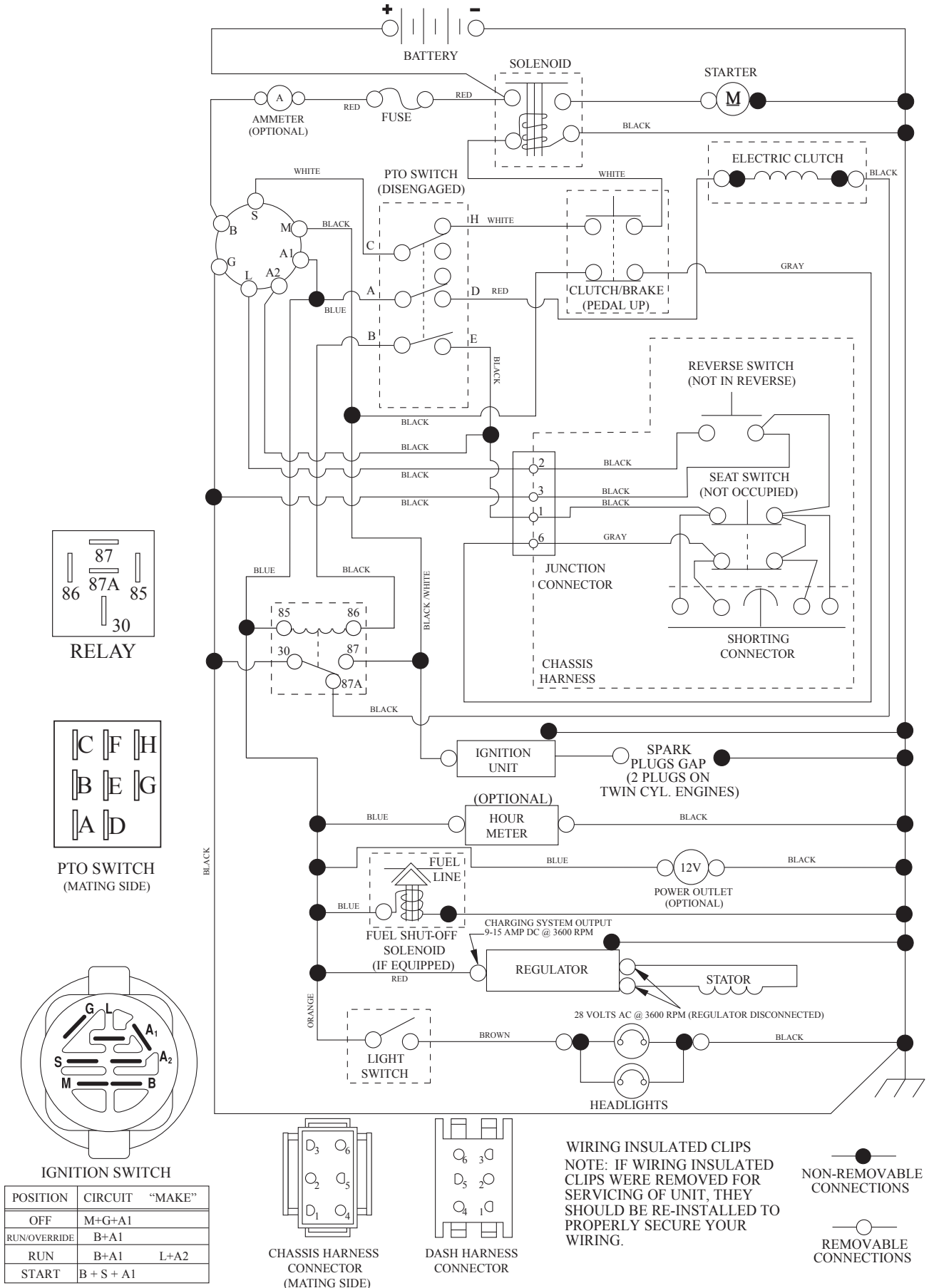
## TABLE OF CONTENTS

<b>SCHEMATIC .....</b>	<b>3</b>
<b>ELECTRICAL.....</b>	<b>4-5</b>
<b>CHASSIS .....</b>	<b>6-7</b>
<b>DRIVE.....</b>	<b>8-9</b>
<b>ENGINE.....</b>	<b>10-11</b>
<b>STEERING .....</b>	<b>12-13</b>
<b>MOWER DECK .....</b>	<b>14-15</b>
<b>MOWER LIFT.....</b>	<b>16-17</b>
<b>SEAT .....</b>	<b>18</b>
<b>DECALS.....</b>	<b>19</b>
<b>TRANSAXLE BREAKDOWN .....</b>	<b>20-21</b>
<b>ENGINE BREAKDOWN.....</b>	<b>22-26</b>
<b>WARRANTY.....</b>	<b>BACK COVER</b>

# TRACTOR - - MODEL NO. 917.990040

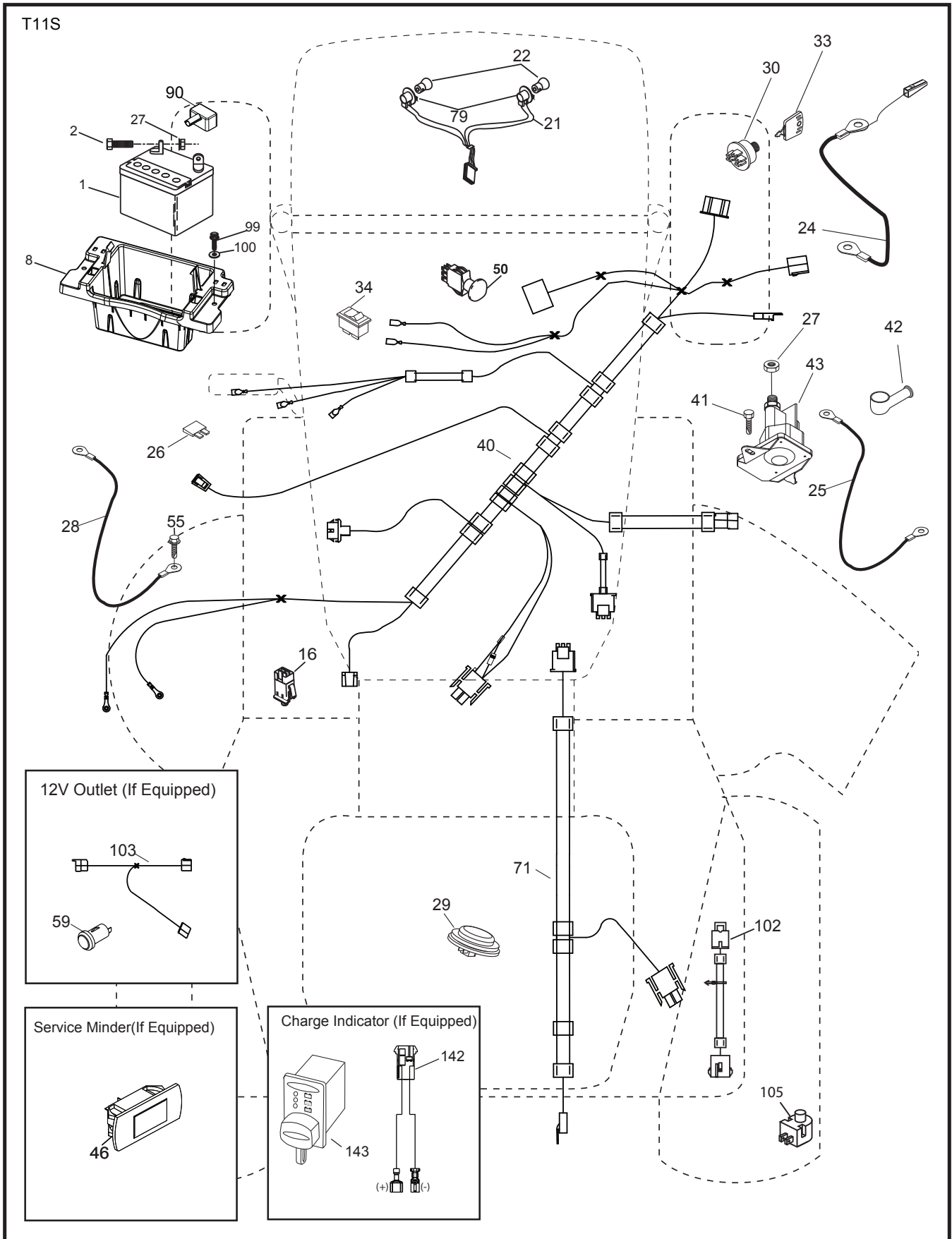
## SCHEMATIC

SCH13



# TRACTOR - - MODEL NO. 917.990040

## ELECTRICAL



# TRACTOR - - MODEL NO. 917.990040

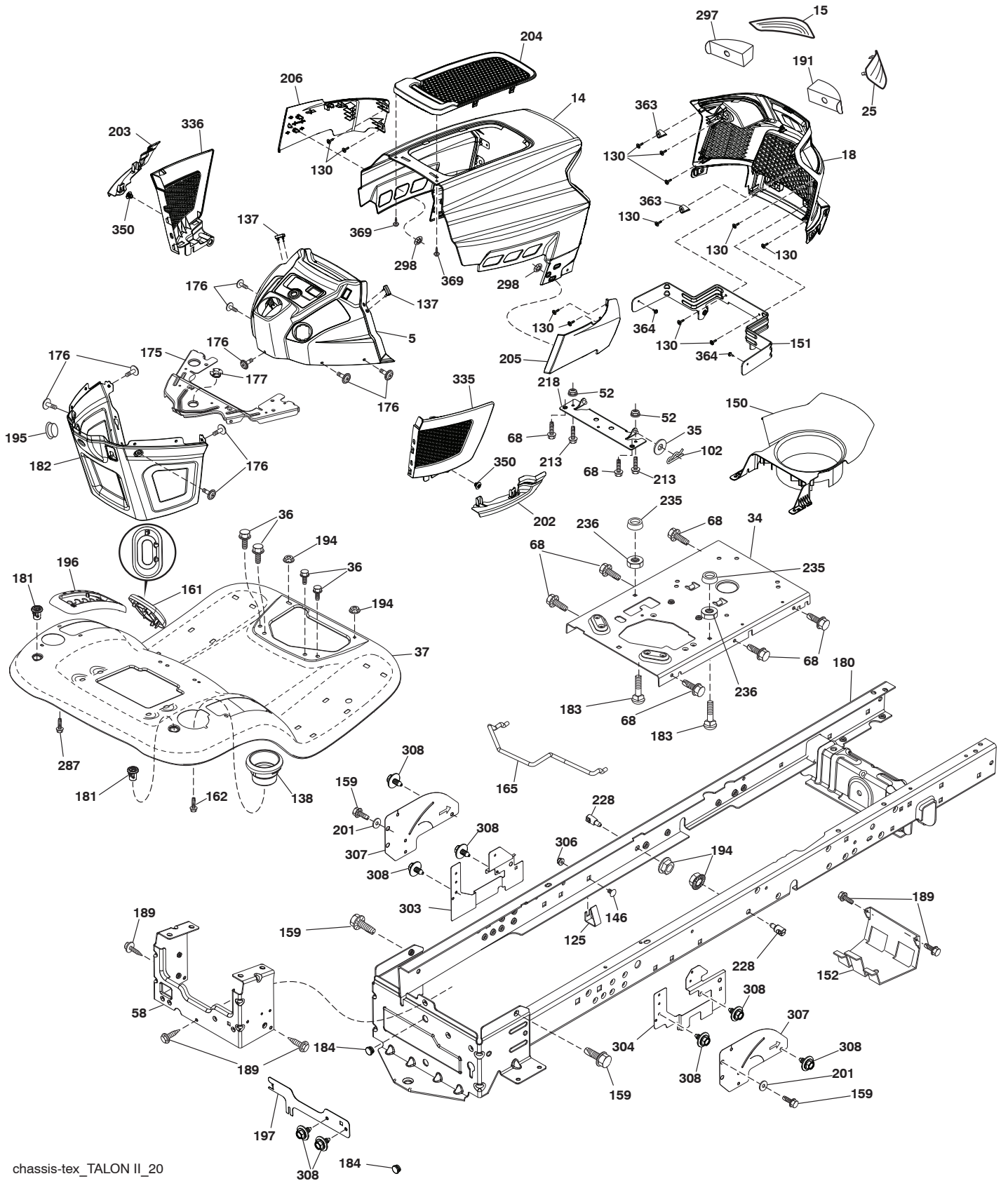
## ELECTRICAL

KEY NO.	PART NO.	DESCRIPTION
1	163465	Battery
2	74760412	Bolt Hex Hd 1/4-20 unc x 3/4
8	587205101	Box Battery
16	176138	Switch Interlock Push-In
21	400252	Harness Socket Light w/4152J
22	4152J	Bulb Light
24	585555601	Cable Btry.
25	585555501	Cable Starter
26	175158	Fuse
27	73510400	Nut Keps Hex 1/4-20 unc
28	416588	Cable, Ground
29	401545	Switch, Seat
30	193350	Switch, Ign
33	411934	Key/Chain
34	110712X	Switch Light / Reset
40	401104	Harness Ign. Dash
41	17720408	Screw Thd Cut 1/4-20 x 1/2
42	131563	Cover, Terminal
43	192507	Solenoid
46	586161801	Gauge SRVCMNDR HRMTR
50	582107602	Switch PTO
55	17060512	Screw Thdrol 5/16-18 x 3/4 TYTT
71	194276	Harness Ign. Chassis
79	175242	Bulbholder Asm. Incan Descent
90	435395	Cover Terminal Battery
99	17670412	Screw Hexwsh Thdrol 1/4-20 x 3/4
100	19091416	Washer 9/32 x 7/8 16 Ga.
102	404454	Harness Pigtail
105	407568	Switch Reverse

**NOTE:** All component dimensions given in U.S. inches.  
1 inch = 25.4 mm.

# TRACTOR - - MODEL NO. 917.990040

## CHASSIS AND ENCLOSURES



chassis-tex\_TALON II\_20

# TRACTOR - - MODEL NO. 917.990040

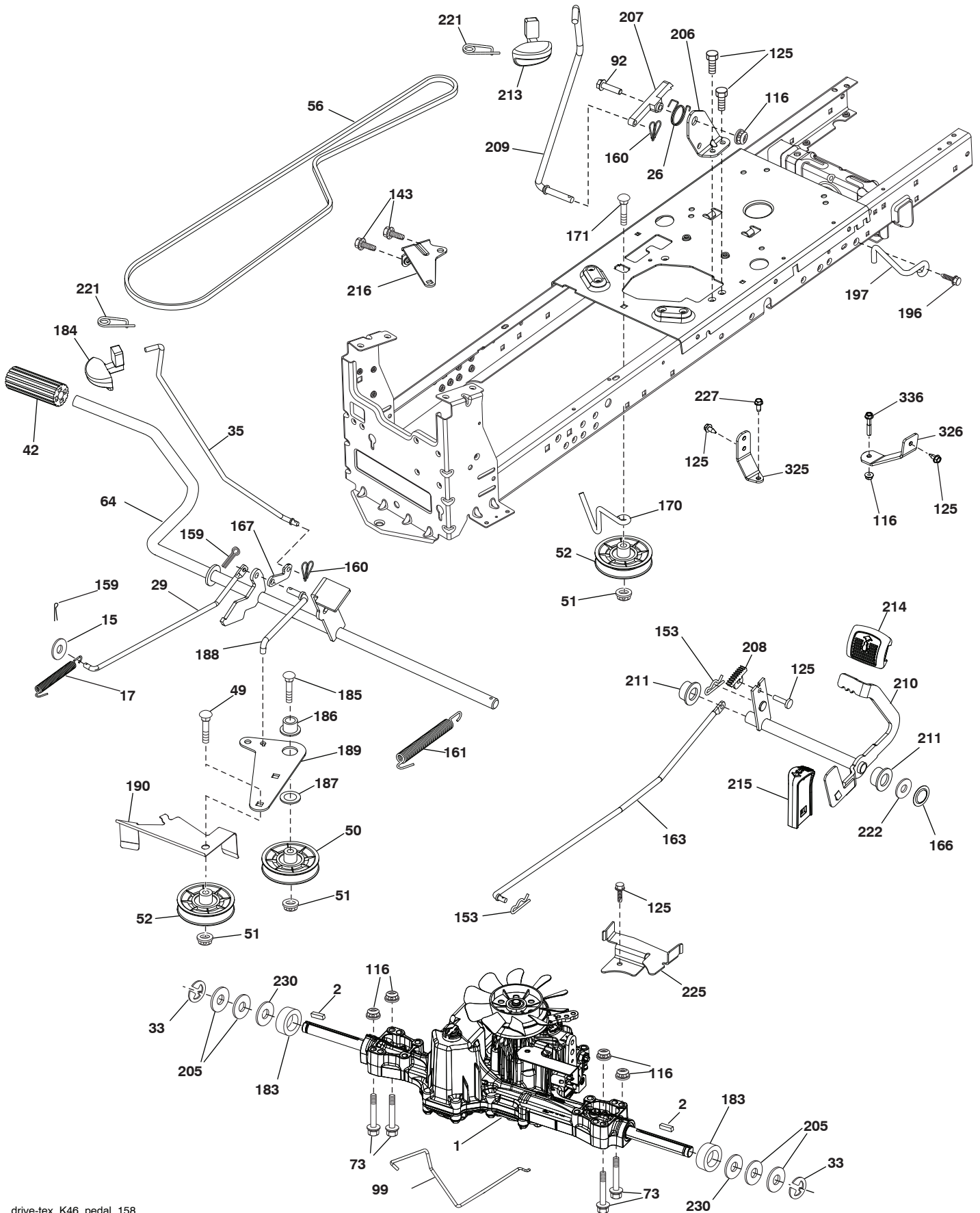
## CHASSIS AND ENCLOSURES

KEY PART NO. NO.	DESCRIPTION	KEY PART NO. NO.	DESCRIPTION		
5	580485906	Dash	191	580485101	Mylar Headlight/Reflective Lens RH
14	580354406	Hood	194	73900500	Nut Lock Hex Flange 5/16-18
15	580485601	Lens LH	195	401556X428	Plug Hole Dash 12V Adapter
18	580485301	Grille	196	414579	Console Asm. Deck Lift
25	580484501	Lens RH	197	587493202	Shield Drawbar
34	580910801	Plate engine	201	19132016	Washer 13/32 x 1-1/4 x 16 Ga
35	19111116	Washer 11/32 x 11/16 x 16 Ga.	202	580485001	C-Closeout Lwr Trm RH
36	17060512	Screw 5/16-18 x 3/4	203	580484801	C-Closeout Lwr Trm LH
37	414878X615	Fender	204	580484701	Hood Top Vent
52	73680500	Nut Crown lock 5/16-18	205	580843706	Assembly Corner RH
58	412280	Drawbar Upper	206	580843806	Assembly Corner LH
68	17490508	Screw Thdrol 5/16-18 x 1/2	213	74760512	Bolt hex HD 5/16-18 unc x 3/4
102	4497H	Retainer Spring 1"	218	580897301	Pivot Hood Assy
125	581684801	Clip Fuel Line	228	195161	Stud Fastener
130	416358	Screw # 10 x .750 BOS Thread	235	406129	Spacer Fender
137	407590	Bumper Dash	236	73930500	Nut Center Lock 5/16-18
138	193224X428	Cupholder	287	17600406	Screw Hexwsh Hd 1/4-20 x 3/8
146	581857901	Bolt	297	580484901	Mylar Headlight/Reflective Lens LH
150	585238002	Duct Heat Hood	298	580851001	Nut Push
151	580663302	Bracket Pivot	303	587493402	Shield Lower LH
152	199535	Shield Browning/Debris	304	587865102	Shield Lower RH
159	17000612	Screw Hexwsh Thdrl 3/8-16 x 3/4	306	73900600	Nut Lock
161	193229X428	Window Fuel	307	587494601	Shield Upper
162	142432	Screw Hex Wsh Hi-Lo 1/4 x 1/2	308	171877	Bolt 5/16-18 unc x 3/4
165	196826	Support Tank Rear	335	580484602	C-Side Closeout RH
175	196304	Crossmember	336	580484402	C-Side Closeout LH
176	400776	Screw 10-24 x 5/8 Wshd Qdix	350	445143	Clip X-Mass Tree
177	195228	Bushing Steering	363	580724501	Cap Talon Grille
180	415064	Chassis	364	17060408	Screw
181	193102X428	Bushing Mtg. Fender Crgo.	369	421756	Screw #10 x 0.500 BOS Thread
182	406859	Dash Lower			
183	74520520	Bolt 5/16-18 x 1-1/4			
184	587554101	Plug Demo			
189	17000512	Screw 5/16-18 x 3/4			

**NOTE:** All component dimensions given in U.S. inches.  
1 inch = 25.4 mm.

# TRACTOR - - MODEL NO. 917.990040

## DRIVE





# TRACTOR - - MODEL NO. 917.990040

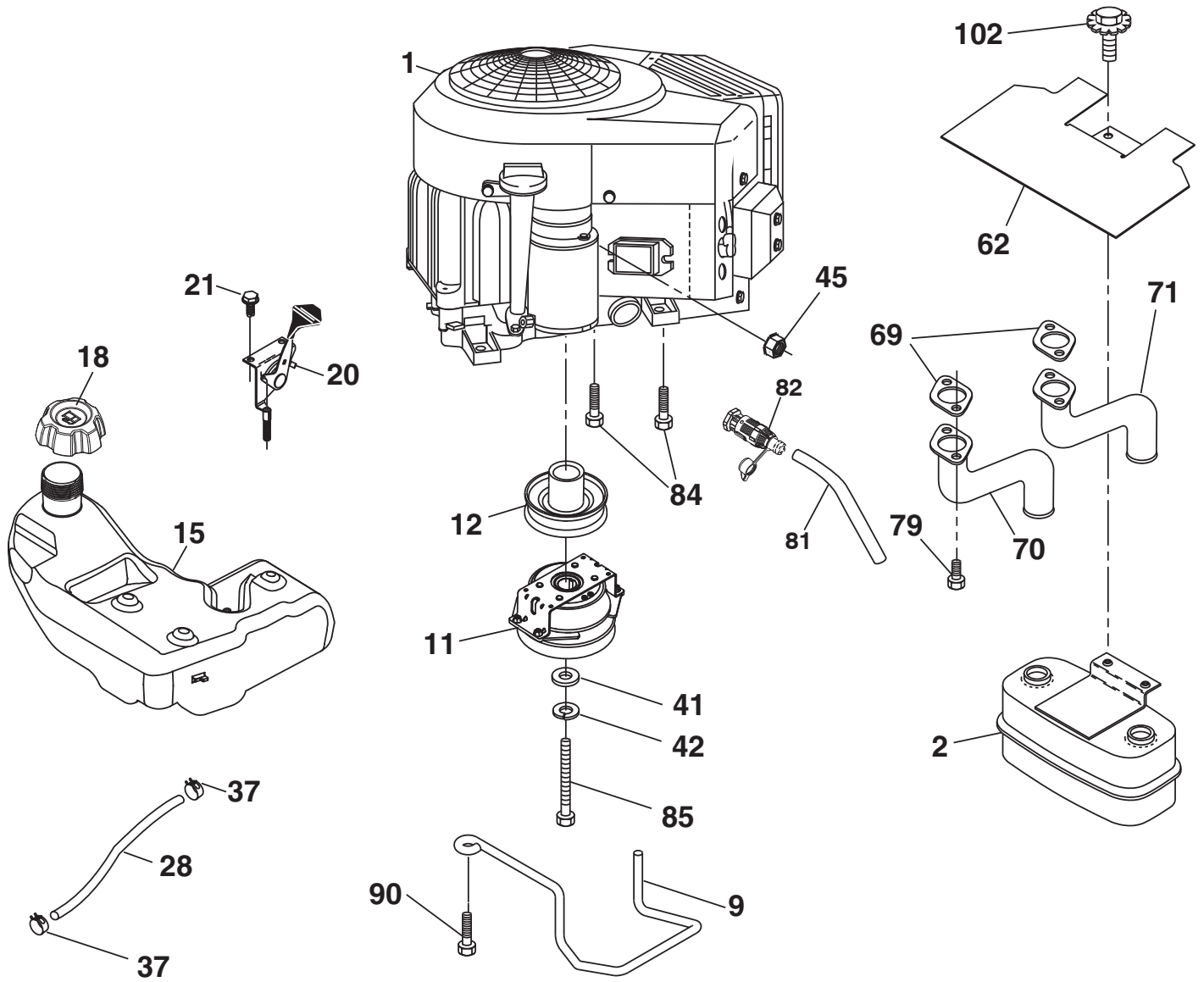
## DRIVE

KEY NO.	PART NO.	DESCRIPTION	KEY NO.	PART NO.	DESCRIPTION
1	---	Transaxle, TUFFTORQ K46 BT (426120) (See transaxle breakdown.)	184	196439X428	Handle Parking Brake
2	123583X	Key	185	72110622	Bolt 3/8-16 x 2-3/4 Gr. 5
15	19131316	Washer 13/32 x 13/16 x 16 Ga.	186	194321	Spacer Retainer
17	413678	Spring, Brake	187	19133210	Washer
26	199679	Spring Return Cruise	188	582217001	Link Clutch Ground Drive, Long
29	403806	Rod, Brake	189	194317	Bellcrank Ground Drive
33	12000001	Ring E	190	194318	Keeper Bellcrank Ground Drive
35	583864501	Rod, Brake, Park	196	17000616	Screw 3/8-16 x 1
42	8883R	Cover, Foot Pedal	197	585658601	Link Clutch Anti-Rotation 1" CRK
49	72110614	Bolt	205	121748X	Washer
50	194327	Pulley Idler Flat	206	448596	Bracket Mount Latch Cruise
51	73900600	Lock Nut 3/8-16	207	587031401	Latch Control Cruise
52	194326	Idler V-Groove	208	197869	Gear Sector Control Cruise
56	130969	V-Belt, Drive	209	199592	Rod Control Cruise
64	197865	Shaft Asm. Pedal Brake Control	210	400980	Rocker Asm. Pedal Control
73	74490540	Bolt 5/16-18 x 2.1/2 G 5	211	120183X	Bearing Nylon
92	74760520	Bolt Fin Hex 5/16-18 unc x 1.25	213	196441X428	Knob Control Cruise
99	415742	Rod Spring Bypass	214	421263	Pedal Forward
116	73900500	Nut Lock Hex Flange 5/16-18	215	197301X428	Pedal Reverse
125	17000512	Screw 5/16-18 x 3/4	216	196131	Bracket Pulley Idler
143	17490508	Screw 5/16-18 x 1/2	221	403187	Retainer Spring Clip Handle
153	4497H	Retainer Spring	222	79212010	Washer 21/32 x 1-1/4 x 10 Ga.
159	76020412	Pin Cotter 1/8 x 3/4	225	403319	Keeper Belt Trans.
160	169484	Retainer Clip	227	17490512	Screw Thdrol 5/16-18 x 3/4
161	105709X	Spring, Return, Clutch	230	188967	Washer
163	448275	Rod Pedal Control	325	585668502	Bracket Torque Strap LH
166	429164	Nut Push .625	326	585670802	Bracket Torque Strap RH
167	405257	Latch Brake Parking	336	587259601	Screw Thdrol 5/16-18 x 3/4
170	194322	Keeper Belt Centerspan			
171	72110616	Bolt Rd. Hd. Sq. NK. 3/8-16 unc x 2			
183	137057	Spacer Split			

**NOTE:** All component dimensions given in U.S. inches  
1 inch = 25.4 mm

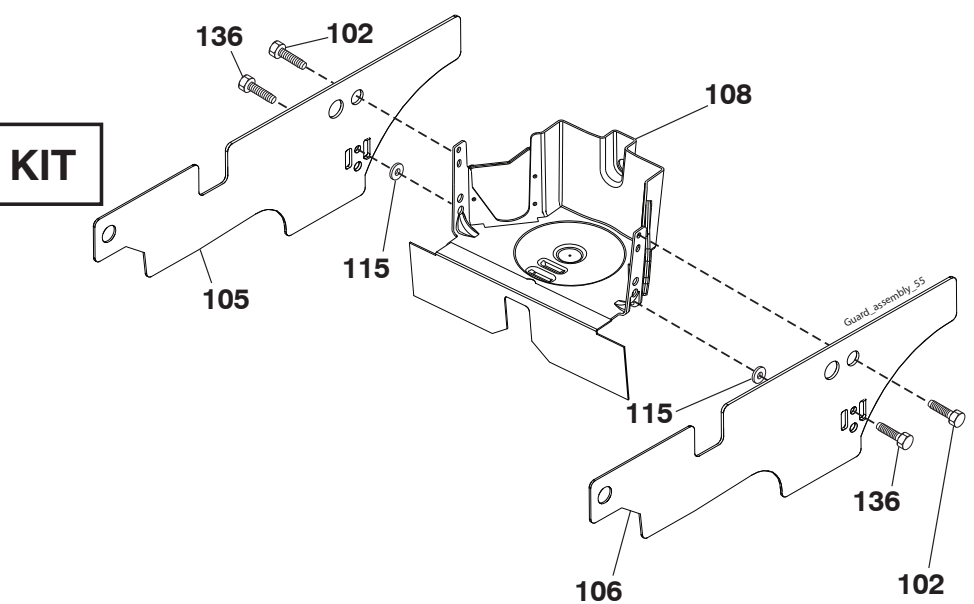
# TRACTOR - - MODEL NO. 917.990040

## ENGINE



### SPARK ARRESTER KIT

engine-tex\_bs-2cyl\_126\_r1



# TRACTOR - - MODEL NO. 917.990040

## ENGINE

KEY PART NO.	PART NO.	DESCRIPTION
1	- - - -	Engine B&S Model No. 40N877-0008-B1 (588640601) (See Engine Breakdown.)
2	149723	Muffler
9	584908001	Keeper Belt Engine
11	587241501	Clutch Electric
12	405097	Pulley Engine
15	438025	Tank Fuel
18	585124802	Cap Asm
20	421473X428	Control Throttle
21	416358	Screw 10 x .750 BOS Thread
28	8543R	Fuel Line
29	137180	Spark Arrester Kit
37	123487X	Clamp Hose
41	126197X	Washer 1-1/2 ODX 15/32 IDX .250
42	10040700	Washer Lock 7/16
45	73510400	Nut Keps Hex 1/4-20 unc
62	434017	Shield Heat Muffler
69	165391	Gasket
70	581881101	Exhaust Tube LH
71	581881001	Exhaust Tube RH
79	183906	Screw 5/16-18 x .75
81	148456	Tube Drain Oil Easy
82	428287	Valve Oil Drain
84	17060620	Screw 3/8-16 x 1-1/4
85	581332804	Clutch Bolt Hex 7/16-20 x 3.5 Gr. 5 24 HR
90	17000616	Screw 3/8-16 x 1.0
102	17000512	Screw 5/16-18 x 3/4
105	501267202	Shield Side LH
106	501268202	Shield Side RH
108	587179501	Cover Eng. Pulley w/SHLD 38", 42"
115	431761	Palnut #10
136	421756	Screw, #10 0.500, BOS

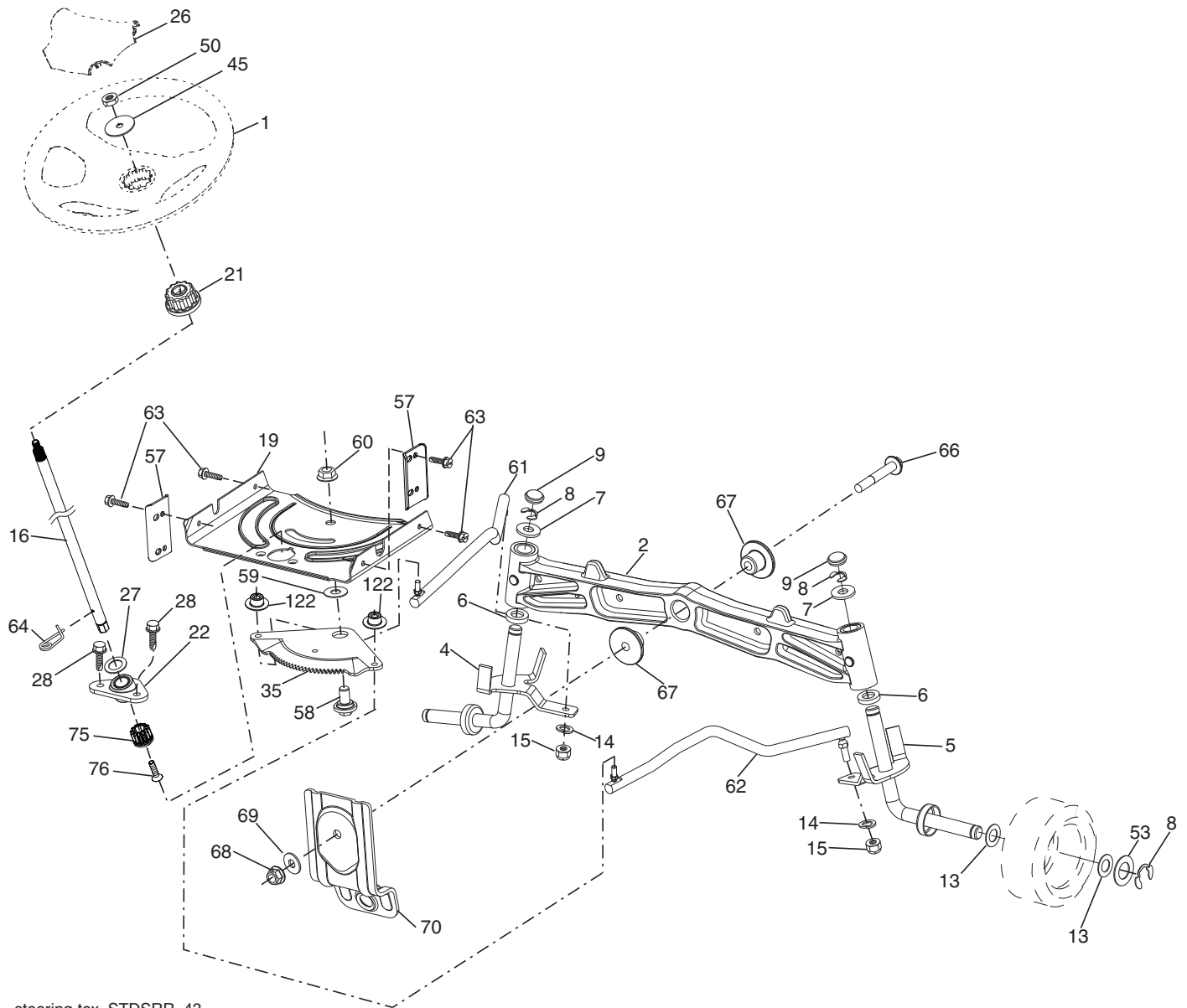
**NOTE:** All component dimensions given in U.S. inches  
1 inch = 25.4 mm

### Engine Power Rating Information

The gross power rating for individual gas engine models is labeled in accordance with SAE (Society of Automotive Engineers) code J1940 (Small Engine Power & Torque Rating Procedure), and rating performance has been obtained and corrected in accordance with SAE J1995 (Revision 2002-05). Torque values are derived at 3060 RPM; horsepower values are derived at 3600 RPM. Actual gross engine power will be lower and is affected by, among other things, ambient operating conditions and engine-to-engine variability. Given both the wide array of products on which engines are placed and the variety of environmental issues applicable to operating the equipment, the gas engine will not develop the rated gross power when used in a given piece of power equipment (actual "on-site" or net power). This difference is due to a variety of factors including, but not limited to, accessories (air cleaner, exhaust, charging, cooling, carburetor, fuel pump, etc.), application limitations, ambient operating conditions (temperature, humidity, altitude), and engine-to-engine variability. Due to manufacturing and capacity limitations, Briggs & Stratton may substitute an engine of higher rated power for this Series engine.

# TRACTOR - - MODEL NO. 917.990040

## STEERING ASSEMBLY



steering-tex\_STDSRR\_43

# TRACTOR - - MODEL NO. 917.990040

## STEERING ASSEMBLY

KEY NO.	PART NO.	DESCRIPTION
1	414851X428	Wheel, Steering
2	195968	Axle Asm., Front
4	403087	Spindle Asm., LH
5	403088	Spindle Asm., RH
6	6266H	Washer Thrust 0.75 x 1.23
7	121748X	Washer 25/32 x 1-5/8 x 16 Ga.
8	1200029	Ring, Clip #T5304-75
9	184946X667	Cap, Spindle
13	121749X	Washer 25/32 x 1-1/4 x 16 Ga.
14	10040600	Washer Lock 3/8
15	73540600	Nut, Crown Lock 3/8-24 unf
16	587016002	Shaft Steering
19	194729	Plate Steering
21	586840201	Adapter, Wheel Steering
22	585029802	Steering Support Lower
26	414852X428	Insert, Wheel Steering
27	19211616	Washer 21/32 x 1 x 16 Ga.
28	17000612	Screw 3/8-16 x 3/4
35	194732	Gear, Sector Plate
45	587016401	Washer 3/8 I.D. x 2-3/8 O.D. x 12 Ga.
50	73900600	Nut Lock Flg 3/8-16 unc
53	188967	Washer Hardened .793 x 1.637 x .060
57	407465	Bracket Upstop
58	194747	Bolt Shoulder Sector Pivot CFM
59	194748	Washer Thrust Sector Steering
60	73971000	Nut Flange Lock 5/8-11
61	194740	Draglink, LH
62	194741	Draglink, RH
63	17000512	Screw 5/16-18 x 3/4
64	199849	Retainer Clip Spring Steering
66	71020748	Bolt Hex Fghd 7/16-14 x 3 Serr
67	194737	Bushing PM Front Axle
68	73900700	Nut Lock Flange 7/16-14 Gr. 5
69	199162	Washer 1.5 x .505 x .118
70	585338801	Bracket Deck Susp. Front
75	580683701	Pinion
76	580683601	Screw Head Socket
122	444962	Cap Gear Sector

**NOTE:** All component dimensions given in U.S. inches.  
1 inch = 25.4 mm.



# TRACTOR - - MODEL NO. 917.990040

## MOWER

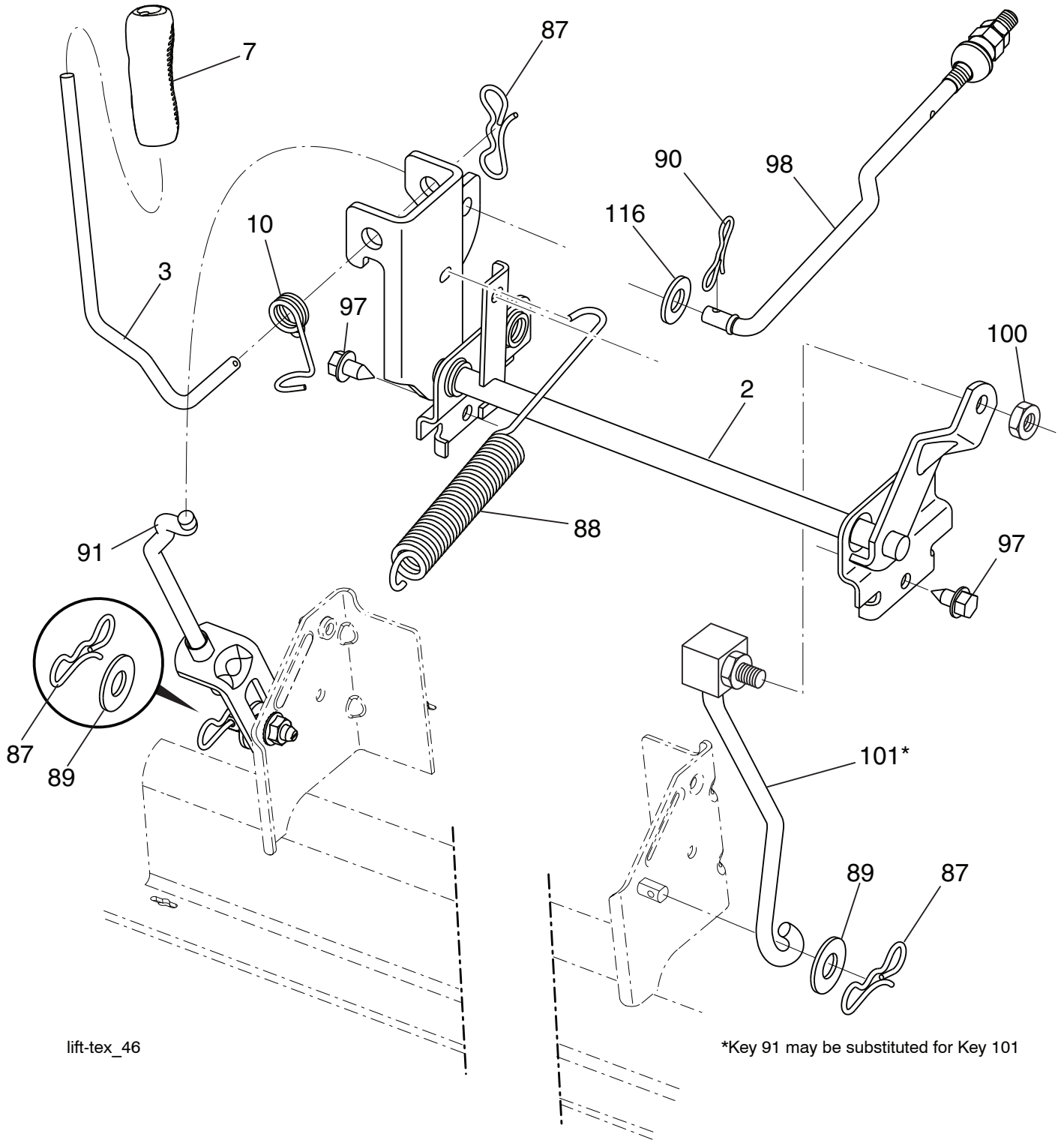
KEY NO.	PART NO.	DESCRIPTION	KEY NO.	PART NO.	DESCRIPTION
1	196495X615	Mower Housing	102	71081010	Screw Pan Hd 10-24 x 5/8
2	72140506	Bolt RDHD SQNK 5/16-18 unc x 3/4	103	19061216	Washer #10
6	195186	Arm Suspension	104	10071000	Washer Lock #10
11	424752	Blade 3 in 1	105	160793	Latch Asm.
12	584309301	Screw 7/16-20 x 1 Hex	106	2029J	Nut Weld
13	587256501	Shaft Assembly, Mandrel	111	404784	Bracket Guage Wheel LH
14	187281	Housing, Mandrel	112	404785	Bracket Guage Wheel RH
15	585323901	Bearing, Mandrel	113	17000510	Screw 5/16-18
19	196539	Bolt, Shoulder	116	4898H	Bolt Shld. "A" 2.41 "B"1.66
20	159770	Baffle, Vortex	117	188606	Wheel Gage
21	73680500	Nut, Crownlock 5/16-18 unc	119	19121414	Washer 3/8 x 7/8 x 14 Ga.
23	192557	Bracket, Deflector	145	193197	Pulley, Idler, Flat
24	105304X	Cap, Sleeve	188	195161	Stud Fastener
25	197026	Spring, Torsion, Deflector	189	73900500	Nut Lock Hex Flange
26	110452X	Nut, Push	190	197251	Spring Mower Drive
27	406520X428	Shield, Deflector	208	17670608	Screw 3/8-16 x 1/2
29	131491	Rod, Hinge	241	152927	Screw
32	153535	Pulley, Mandrel	242	415598	Washout Port
33	400234	Nut, Toplock, Flanged	243	432394	Cover Asm Deck
34	72110612	Bolt Carr Sh. 3/8-16 x 1-1/2 Gr. 5	247	430261	Shield Deck RH
35	133835	Fastner Christmas Tree	248	430260	Shield Deck LH
36	197379	Pulley Idler	249	406514	Cover Cable Clutch
40	73900600	Nut, Lock Flg. 3/8-16 unc	253	427350	Rivet Tuflock 25 x .24
41	584953901	Bolt Hex Wsh Hd 313-18 x 1.19	--	587253301	Mandrel Assembly (Includes housing (key# 14), shaft assembly (key# 13), bearing (key# 15) and nut (key# 33)only - pulley/washer and blade bolt/washers not included)
46	137729	Screw Thdrol 1/4-20 x 5/8	--	579865401	Replacement Mower, Complete
55	437110	Arm, Idler			
56	199092	Spacer, Retainer			
57	17000616	Screw Hexwsh Thd 3/8-16 x 1			
59	141043	Guard, Tuv Idler (94)			
62	72110616	Bolt Rdhd Sqnk 3/8-16 unc x 2			
68	144959	V-Belt			
69	72140505	Bolt Rdhd Sqnk 5/16-18 x 5/8			
80	423062	Palnut 1/4			
101	193107	Cover Mulching			

**NOTE:** All component dimensions given in U.S. inches  
1 inch = 25.4 mm



# TRACTOR - - MODEL NO. 917.990040

## MOWER LIFT



lift-tex\_46

\*Key 91 may be substituted for Key 101



## TRACTOR - - MODEL NO. 917.990040

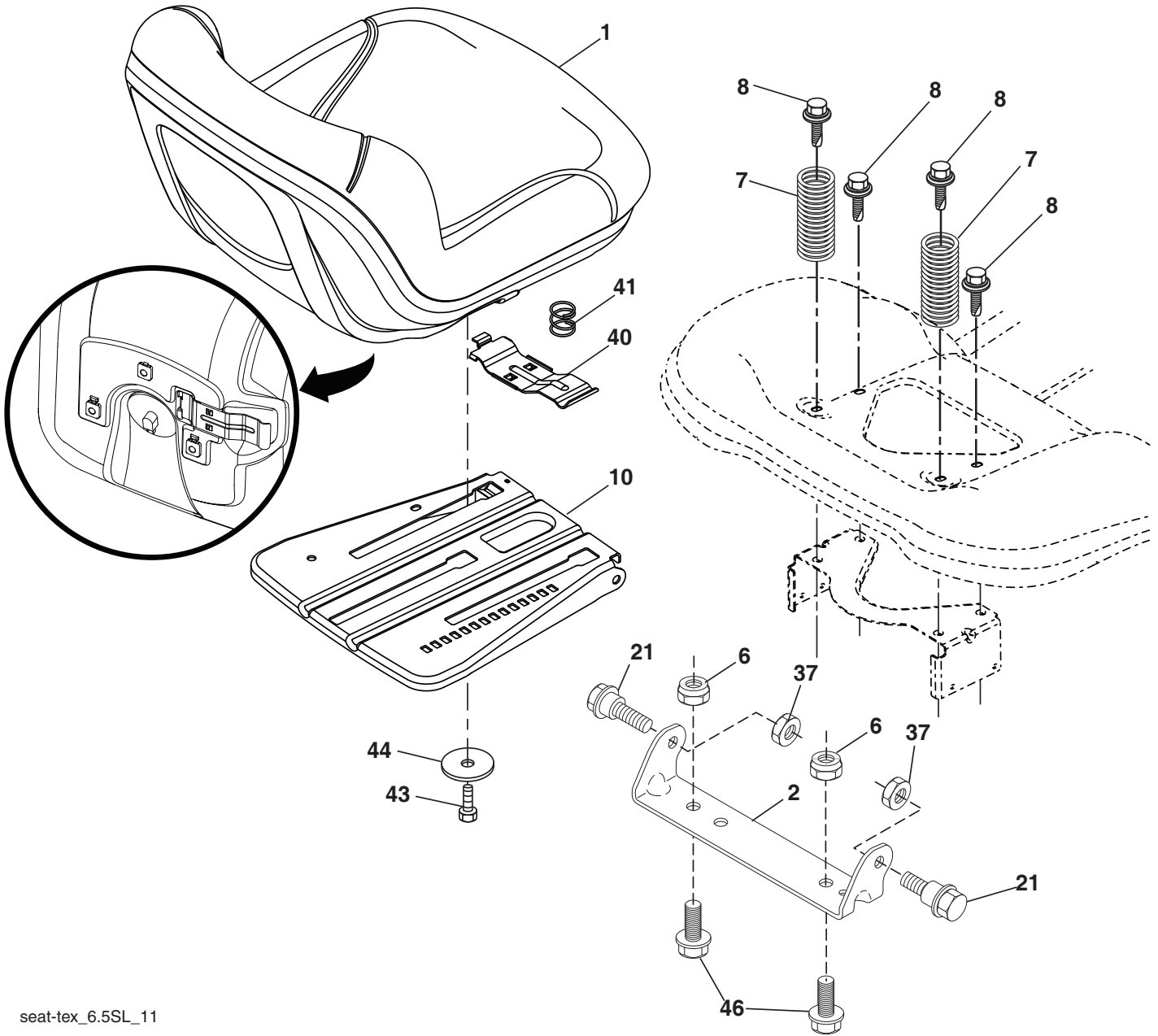
### MOWER LIFT

KEY	PART	
NO.	NO.	DESCRIPTION
2	422027	Shaft Asm., Lift
3	195231	Lever Asm., Lift RH
7	445060X428	Grip, Lever
10	196314	Spring Torsion
87	194209	Pin Cotter 7/16 Bow Tie Lock
88	410710	Spring Lift Assist
89	19191912	Washer Clear Zinc
90	194208	Pin Cotter 5/16 Bow Tie Lock
91	195181	Link Lift Susp Mower Rear
97	17000612	Screw 3/8-16 x .75
98	195270	Link Lift Susp. Front Mower
100	73930600	Nut Centerlock 3/8-16 unc
101	407003	Link ASm Lift Fxd
116	19151516	Washer 15/32 x 15/16 x 16 Ga.

**NOTE:** All component dimensions given in U.S. inches  
1 inch = 25.4 mm

# TRACTOR - - MODEL NO. 917.990040

## SEAT ASSEMBLY



seat-tex\_6.5SL\_11

### KEY PART NO. NO.

### DESCRIPTION

1	423645	Seat
2	180166	Bracket Pivot Fender
6	73800600	Nut, Lock 3/8-16 unc
7	587613301	Spring, Seat Cprsn
8	171877	Bolt 5/16-18 unc x 3/4 w/Sems
10	196977	Pan, Seat
21	587907801	Bolt, Shoulder 5/16-18 x 5/8
37	73800500	Nut, Lock 5/16-18 unc

### KEY PART NO. NO.

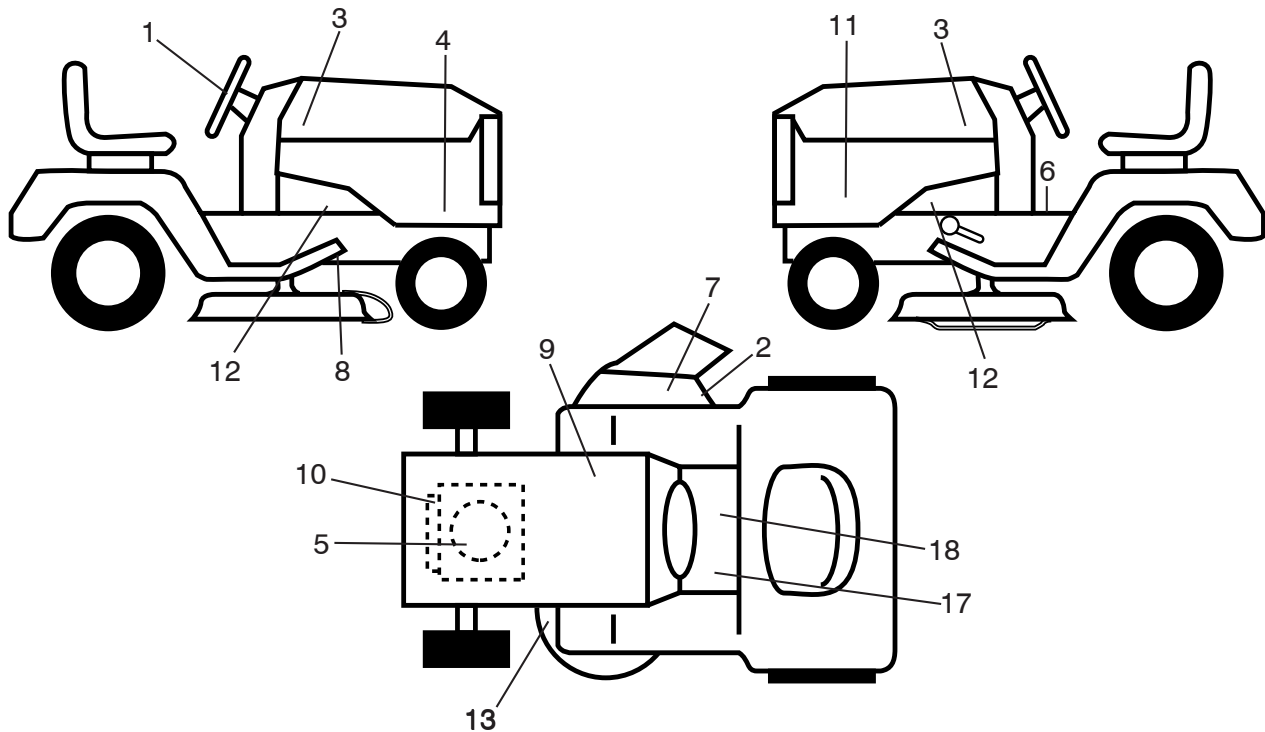
### DESCRIPTION

40	197661	Handle Slide Seat
41	198200	Spring Latch Seat
43	74760612	Bolt 3/8-16 x 3/4
44	19133812	Washer 13/32 x 2-3/8 x 12 Ga.
46	588090401	Bolt 3/8-16 x 1, 1.25 OD Wshr Sems

**NOTE:** All component dimensions given in U.S. inches.  
1 inch = 25.4 mm

# TRACTOR - - MODEL NO. 917.990040

## DECALS



### KEY PART NO. NO.

### DESCRIPTION

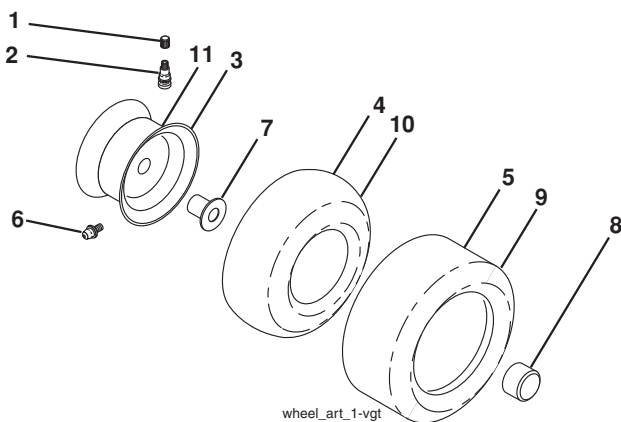
1	581894601	Decal, Steering
2	581579201	Decal, Reflector Warning
3	585767601	Decal, Hood
4	586207801	Decal, Sideskirt RH
5	583850001	Decal, Engine HP
6	581578101	Decal, Fender Warning
7	584904601	Decal, Deck/Deflect.
8	421534	Decal, V-Belt Schematic Drive
9	145005	Decal, Battery Warning
10	581579701	Decal, Warning Engine
11	586207802	Decal, Sideskirt LH
13	581580001	Decal, Mower V-Belt SCH.
12	581579601	Decal, Hot Muffler

### KEY PART NO. NO.

### DESCRIPTION

17	581724001	Decal, Brake/Clutch
18	581578001	Decal, Saddle Brake Parking
--	193226X428	Pad, Footrest LH
--	400981X428	Pad, Footrest RH
--	581724801	Decal, Bypass
--	581724601	Decal, Drawbar Load Limit
--	115802040	Manual, Operator's (Euro)
--	115802250	Manual, Operator's (Scan)
--	115802120	Manual, Operator's (E-Bloc)
--	115802330	Manual, Operator's (Baltic)
--	115802426	Manual, Parts

## WHEELS & TIRES



### KEY PART NO. NO.

### DESCRIPTION

1	59192	Cap, Valve, Tire
2	65139	Stem, Valve
3	106732X613	Rim Assembly, Front
4	59904	Tube, Front
5	106222X	Tire, Front 15 x 6-6
6	278H	Fitting, Grease
7	9040H	Bearing, Flange
8	104757X428	Cap, Axle (Front Wheel Only)
9	138468	Tire, Rear 20 x 8-8
10	7152J	Tube, Rear
11	106108X613	Rim Assembly, Rear
--	144334	Sealant, Tire (10 oz. Tube)

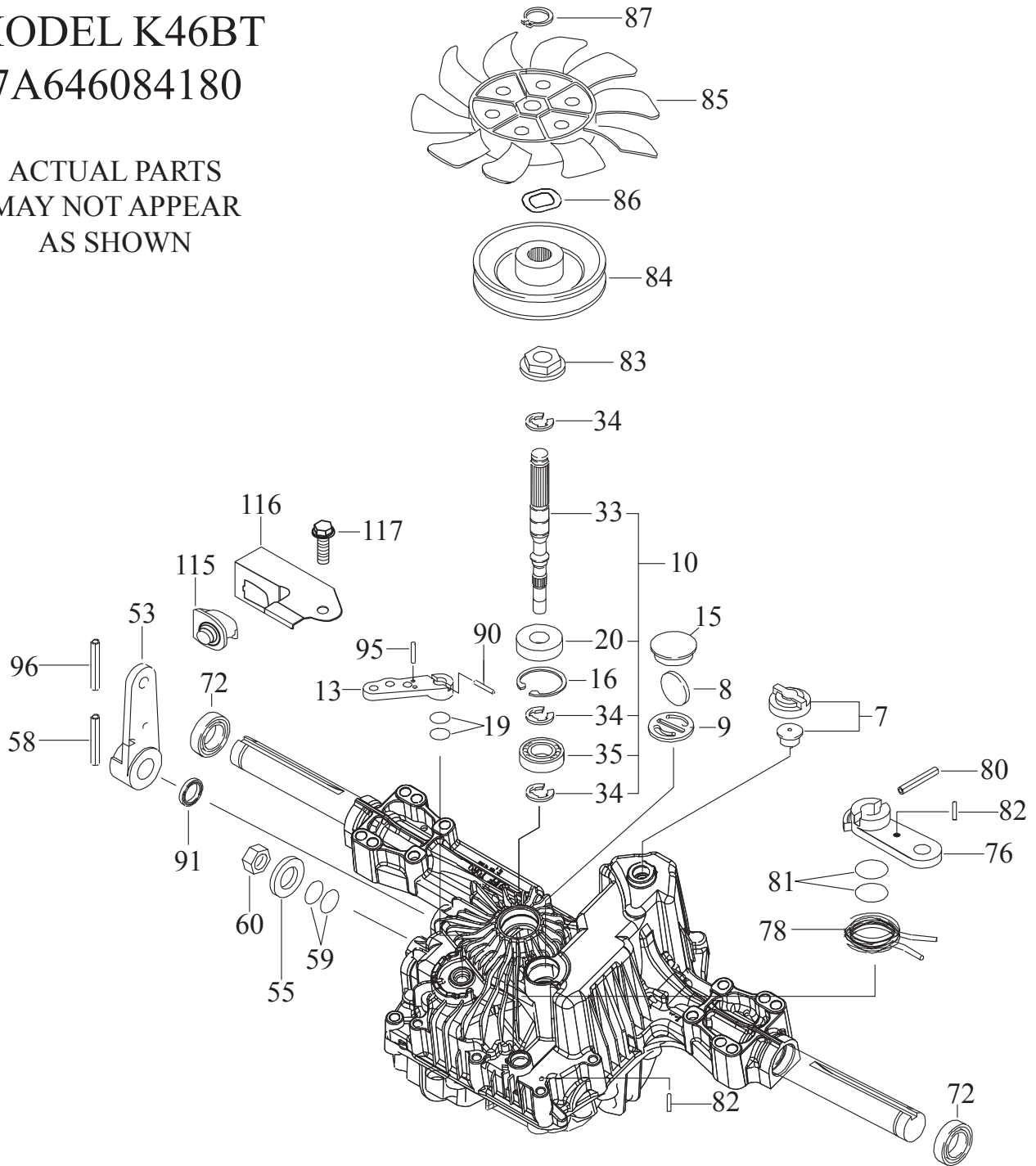
**NOTE:** All component dimensions given in U.S. inches  
1 inch = 25.4 mm

TRACTOR - - MODEL NUMBER 917.990040

TUFF TORQ TRANSAXLE - MODEL NUMBER K46BT

MODEL K46BT  
7A646084180

ACTUAL PARTS  
MAY NOT APPEAR  
AS SHOWN



# TRACTOR - - MODEL NUMBER 917.990040

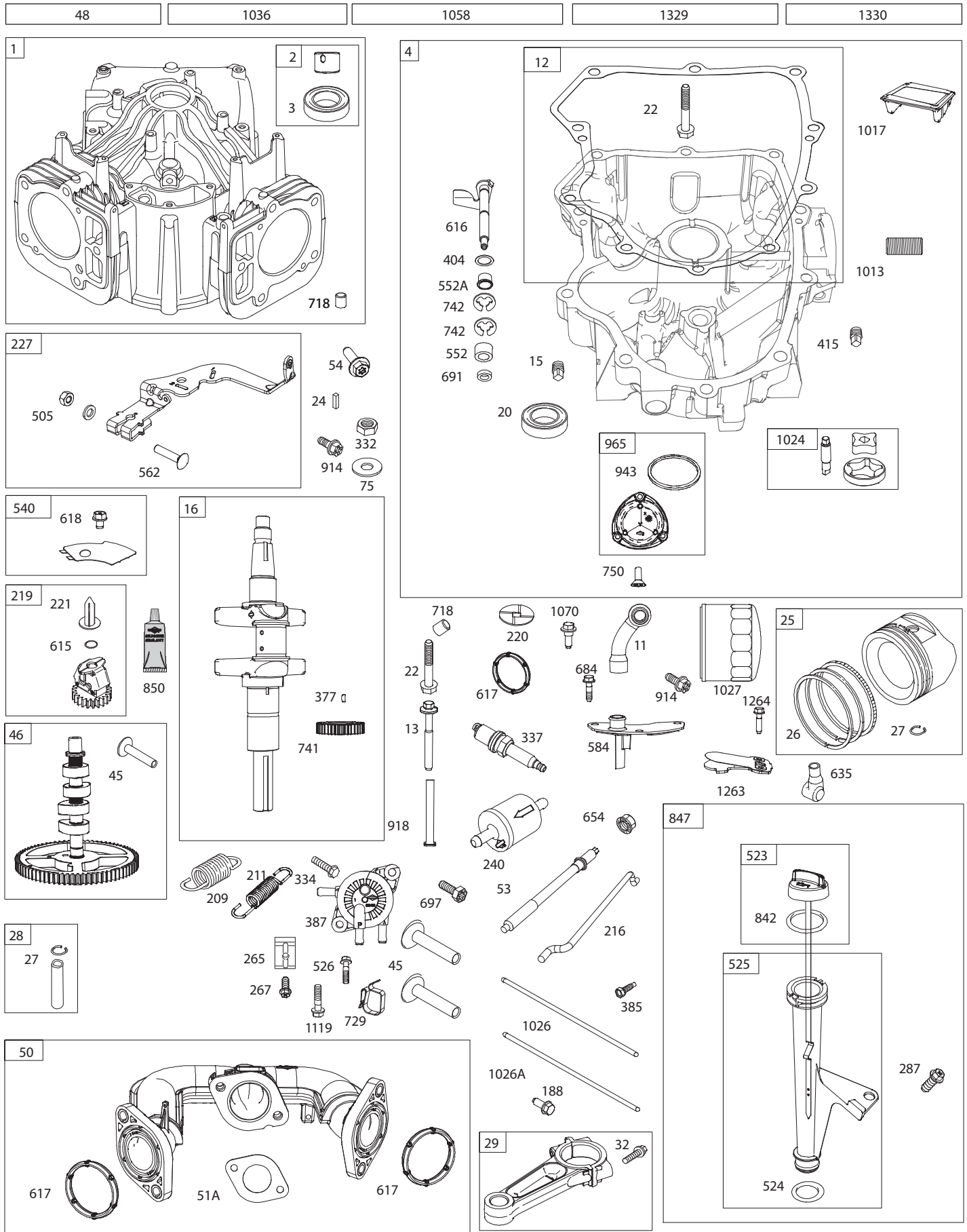
## TUFF TORQ TRANSAXLE - MODEL NUMBER K46BT

KEY NO.	PART NO.	DESCRIPTION
7	414395	Vent Valve 15
8	414396	Magnet
9	414397	Magnet Holder
10	415923	Pump Shaft/bearing Kit
13	414398	Bypass Lever
15	414399	Sealing Cap 30
16	414400	Snap Ring C 35
19	414401	O-ring 1a P10a
20	414402	Seal Tc 153507
33	414403	Pump Shaft (Standard)
34	414404	E-ring 15
35	414405	Bearing 6202c3
53	414431	Control Lever F
55	415924	Washer 12
58	415925	Roll Pin 6 * 40
59	415926	O-ring 1a P14
60	415927	Nut 12
72	414407	Seal 19 * 32 * 8
76	414408	Brake Lever
78	414409	Brake Return Spring
80	414410	Spring Pin 5 * 32
81	414411	O-ring 1a P12
82	414412	Spring Pin 4 * 16
83	414413	Spine Collar
84	414414	Pulley L
85	414415	Fan, Black
86	414416	Wave Washer
87	414417	Snap Ring
90	414418	Spring Pin 3.0a * 20
91	414419	Oil Seal 16 * 22 *.03
95	414850	Spring Pin 3.0a*16
96	414420	Roll Pin 3.5 * 40
115	415928	Switch 6440-11 Delta
116	415929	Switch Bracket
117	415930	Tapping Screw 8 * 20

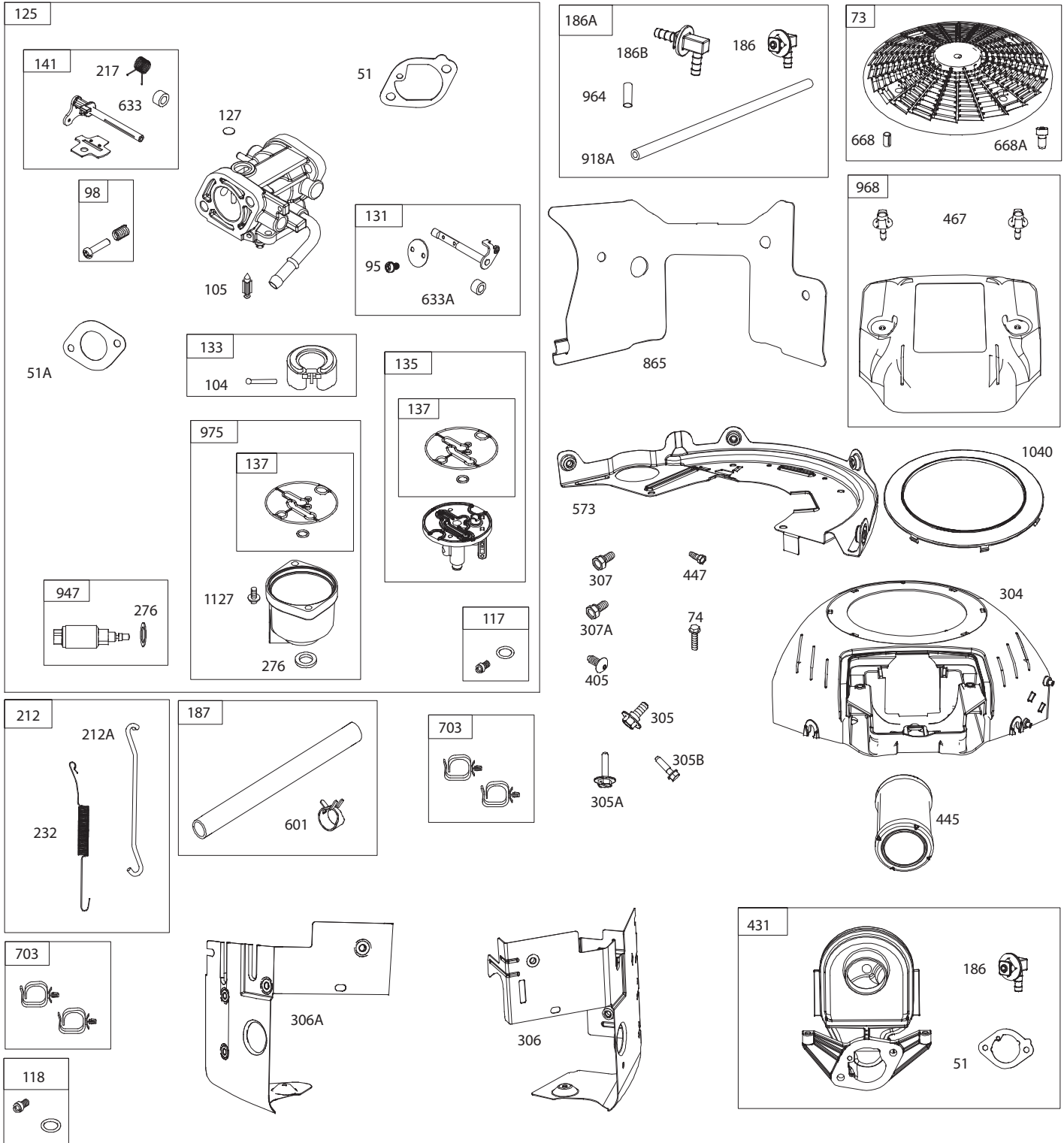
**NOTE:** All component dimensions given in U.S. inches  
1 inch = 25.4 mm

# TRACTOR - - MODEL NO. 917.990040

## BRIGGS & STRATTON ENGINE - - MODEL NUMBER 40N877, TYPE NUMBER 0008-B1

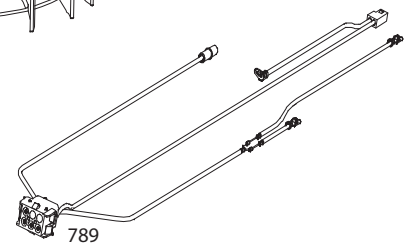
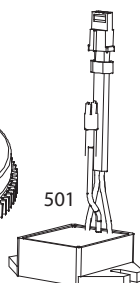
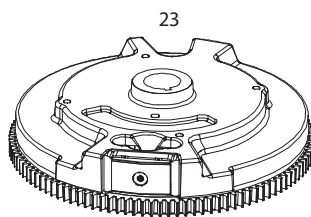
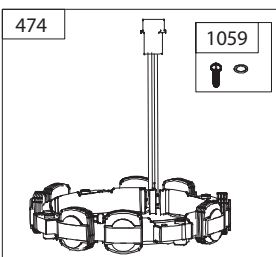
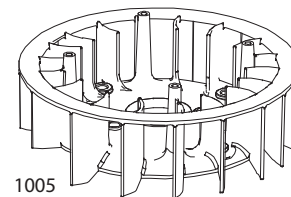
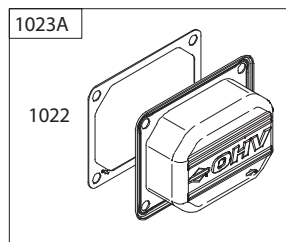
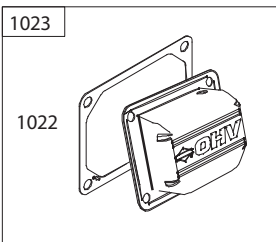
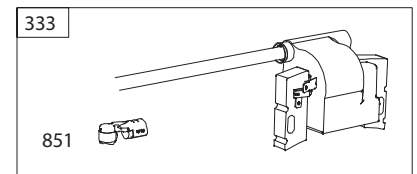
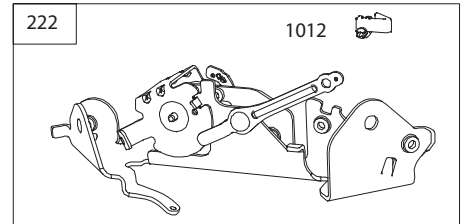
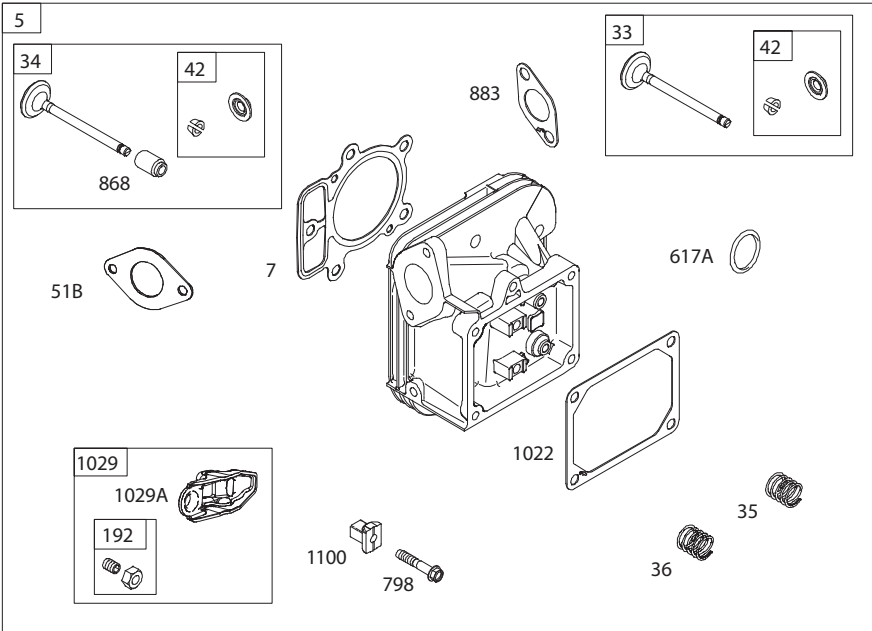
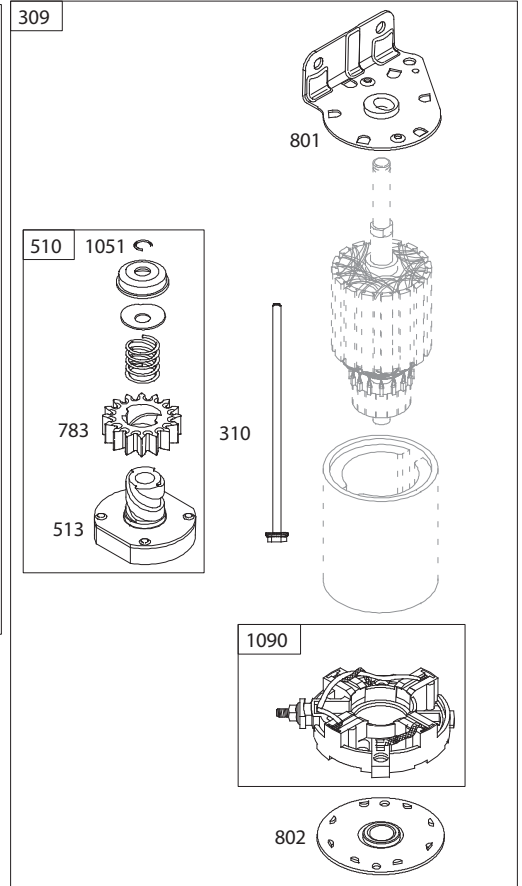
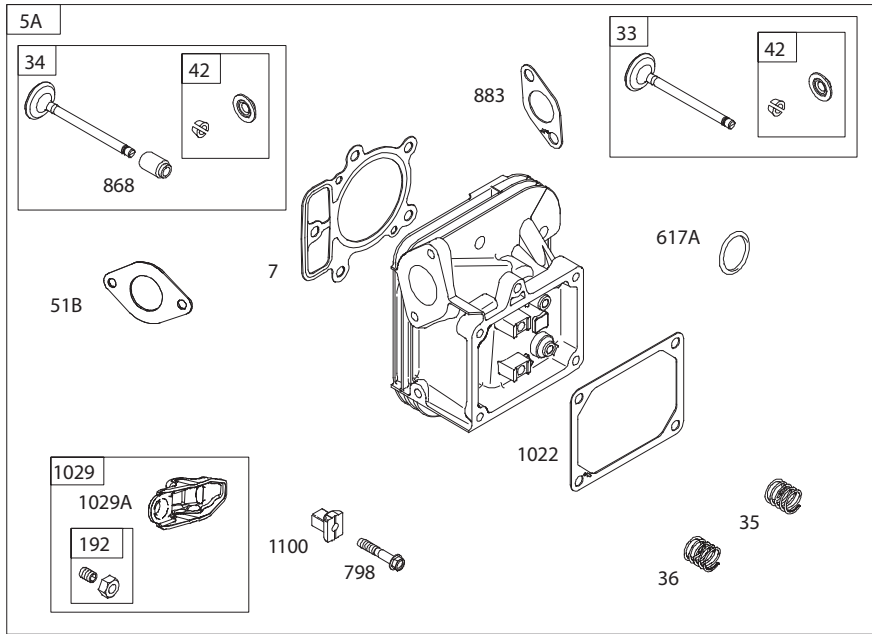


**TRACTOR - - MODEL NO. 917.990040**  
**BRIGGS & STRATTON ENGINE - - MODEL NUMBER 40N877, TYPE NUMBER 0008-B1**



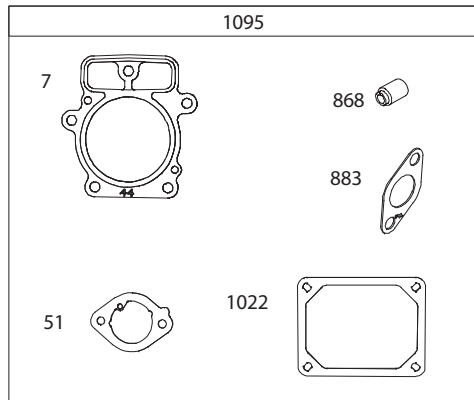
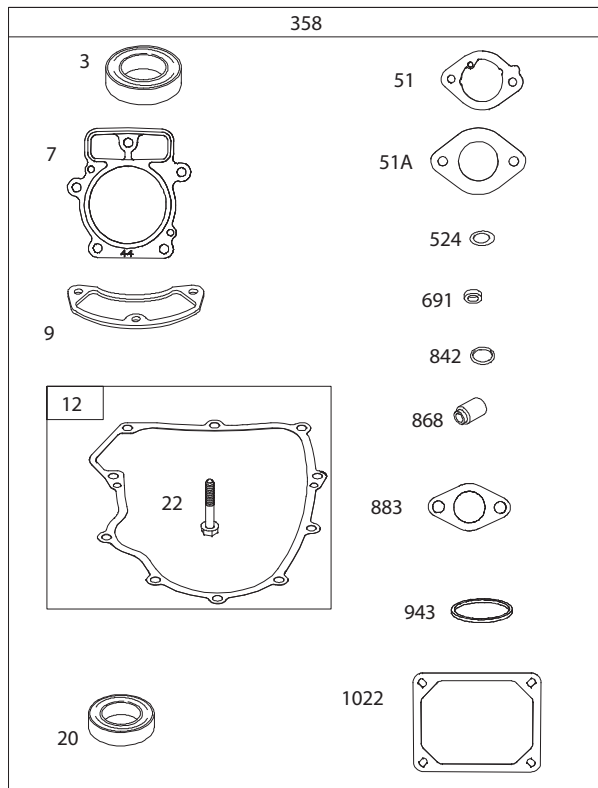
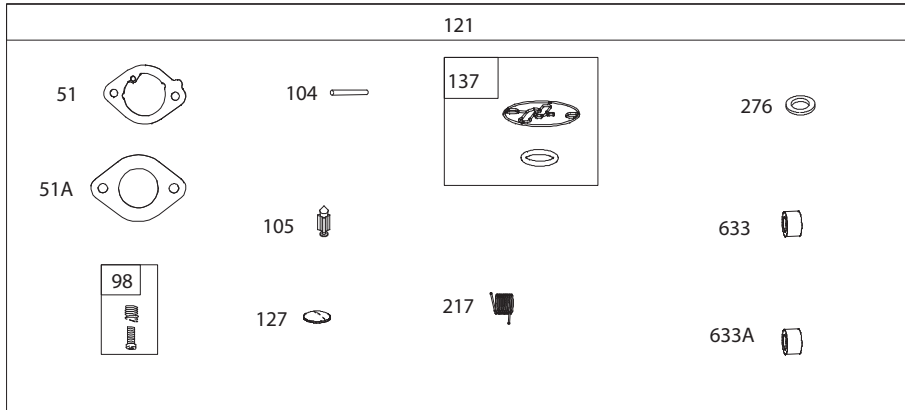


**TRACTOR - - MODEL NO. 917.990040**  
**BRIGGS & STRATTON ENGINE - - MODEL NUMBER 40N877, TYPE NUMBER 0008-B1**





**TRACTOR - - MODEL NO. 917.990040**  
**BRIGGS & STRATTON ENGINE - - MODEL NUMBER 40N877, TYPE NUMBER 0008-B1**



**TRACTOR - - MODEL NUMBER 917.990040**

**BRIGGS & STRATTON ENGINE-MODEL NUMBER 40N877, TYPE NUMBER 0008-B1**

KEY NO.	PART NO.	DESCRIPTION	KEY NO.	PART NO.	DESCRIPTION
1	594371	Cylinder Assembly	121	594212	Kit-Carburetor Overhaul
2	797673	Bushing/Seal Kit (Magneto Side)	125	594207	Carburetor
3	391086s	Seal-Oil (Magneto Side)	127	699810	Plug-Welch
4	796307	Sump-Engine	131	594210	Kit-Throttle Shaft
5	796231	Head-Cylinder (Cylinder #1)	133	694914	Float-Carburetor
5A	796232	Head-Cylinder (Cylinder #2)	135	591701	Tube-Fuel Transfer
7	693997	Gasket-Cylinder Head	137	698781	Gasket-Float Bowl
9	690937	Gasket-Breather	141	594211	Kit-Choke Shaft
11	594163	Tube-Breather	186	845141	Connector-Hose (EVAP)
12	594195	Gasket-Crankcase (Includes 10 Engine Sump Screws)	186A	799158	Connector-Hose (EVAP)
13	592244	Screw (Cylinder Head)	186B	594428	Connector-Hose (EVAP)
15	690946	Plug-Oil Drain	187	791766	Line-Fuel (Cut to Required Length)
16	796237	Crankshaft	188	691108	Screw (Control Bracket)
20	795387	Seal-Oil (PTO Side)	192	690083	Adjuster-Rocker Arm
22	694966	Screw (Crankcase Cover/Sump)	209	799169	Spring-Governor (Dark Blue)
23	594169	Flywheel	211	691019	Spring-Governed Idle (No Color)
24	222698s	Key-Flywheel (Aluminum)	212	792265	Link-Throttle
25	93647	Piston Assembly(Standard)	212A	699805	Link-Throttle
	793648	Piston Assembly (.020" Oversize)	216	796229	Link-Choke
26	791787	Ring Set (Standard)	217	799771	Spring-Choke Return
	791792	Ring Set (.020" Oversize)	219	793338	Gear-Governor
27	690975	Lock-Piston Pin	220	799772	Washer (Governor Gear)
28	696581	Pin-Piston	221	841026	Cup-Governor
29	796209	Rod-Connecting	222	592555	Bracket-Control
32	690976	Screw (Connecting Rod)	227	798856	Lever-Governor Control
33	697576	Valve-Exhaust	232	795915	Spring-Governor Link
34	792200	Valve-Intake	240	691035	Filter-Fuel
35	694865	Spring-Valve (Intake)	265	691024	Clamp-Casing
36	694865	Spring-Valve (Exhaust)	267	792629	Screw (Casing Clamp)
42	499586	Keeper-Valve	276	792629	Washer-Sealing (Aluminum)
45	690977	Tappet-Valve	287	697820	Screw (Dipstick Tube)
46	792555	Camshaft	304	591656	Housing-Blower
48	N/A	Short Block (Not Available at this Printing)	305	594489	Screw (Blower Housing) (1/4-20x.61)
50	594206	Manifold-Intake	305A	790690	Screw (Blower Housing) (Blower Housing) (#10-16x.62)
51	594203	Gasket-Intake(Carburetor/Intake Elbow)	305B	691061	Screw (Blower Housing) (#8-32x.87)
51A	594204	Gasket-Intake (Carburetor/Intake Manifold)	306	591666	Shield-Cylinder (Cylinder #2)
51B	690949	Gasket-Intake	306A	796852	Shield-Cylinder (Cylinder #1)
53	690951	Stud (Carburetor)	307	691003	Screw (Cylinder Shield) (1/4-20x.43)
54	699816	Screw (Intake Manifold)	307A	691108	Screw (Cylinder Shield) (1/4-20x.66)
73	494439	Screen-Rotating	309	592599	Motor-Starter
74	698425	Screw (Rotating Screen)	310	690323	Screw (Starter Motor)
75	691056	Washer (Flywheel)	332	691059	Nut (Flywheel)
95	690718	Screw (Throttle Valve)	333	592846	Armature-Magneto
98	695408	Kit-Idle Speed	334	691061	Screw (Magneto Armature)
104	694918	Pin-Float Hinge	337	792015	Plug-Spark
105	698537	Valve-Float Needle	358	594213	Gasket Set-Engine
117	842585	Jet-Main (Standard)	377	690979	Key-Woodruff
118	792296	Jet-Main (High Altitude) (5000 > 9000 Feet)	385	797409	Screw (Fuel Pump)
			387	808656	Pump-Fuel
			404	690442	Washer (Governor Crank)
			405	697820	Screw (Back Plate)

## TRACTOR - - MODEL NUMBER 917.990040

### BRIGGS & STRATTON ENGINE-MODEL NUMBER 40N877, TYPE NUMBER 0008-B1

KEY NO.	PART NO.	DESCRIPTION	KEY NO.	PART NO.	DESCRIPTION
415	794903	Plug	868	690968	Seal-Valve
431	594205	Elbow-Intake	883	690970	Gasket-Exhaust
445	594201	Filter-Air Cleaner Cartridge	914	691127	Screw (Rocker Cover)
447	691003	Screw (Air Guide Cover) (#10-24x.43)	918	593998	Hose-Vacuum (Rocker Cover #1)
467	591660	Knob-Air Cleaner	918A	799160	Hose-Vacuum (EVAP)
474	592830	Alternator	943	796222	Seal-O Ring (Oil Pump Cover)
501	593490	Regulator	947	798779	Solenoid-Fuel
505	691029	Nut (Governor Control Lever)	964	799159	Cap-Connector
510	592602	Drive-Starter	965	796221	Cover-Oil Pump
513	692024	Clutch-Drive	968	591658	Cover-Air Cleaner
523	594258	Dipstick	975	594208	Bowl-Fuel
524	691032	Seal-Dipstick Tube	1005	593640	Fan-Flywheel
525	691037	Tube-Dipstick	1012	592556	Retainer-Link
526	691108	Screw (Regulator)	1013	690954	Nipple-Oil Filter
540	594325	Plate-Baffle	1017	796214	Screen-Oil Pump
552	796638	Bushing-Governor Crank	1022	690971	Gasket-Rocker Cover
552A	690553	Bushing-Governor Crank	1023	793146	Cover-Rocker (Cylinder #1)
562	690311	Screw (Governor Control Lever)	1023A	499600	Cover-Rocker (Cylinder #2)
573	593465	Plate-Back	1024	796220	Pump-Oil
584	594164	Cover-Breather Passage	1026	690981	Rod-Push (Exhaust) (Steel)
601	691038	Hose-Clamp (Black)	1026A	690982	Rod-Push (Intake) (Aluminum)
615	698290	Retainer-Governor Shaft	1027	492932s	Filter-Oil
616	691045	Crank-Governor	1029	690972	Arm-Rocker
617	594209	Seal-O Ring (Intake Manifold) (Green)	1029A	807323	Arm-Rocker
617A	697891	Seal-O Ring (Intake Manifold) (Red)	1036		Label-Emissions (Available From A Briggs & Stratton Authorized Dealer)
618	594326	Screw (Baffle Plate)	1040	791237	Plate-Trim
633	699813	Seal-Choke/Throttle Shaft (Choke Shaft)	1051	691265	Ring-Retaining
633A	699813	Seal-Choke/Throttle Shaft (Throttle Shaft)	1058	N/A	Operator's Manual (Not Available at this Printing)
635	66538s	Boot-Spark Plug	1059	698516	Kit-Screw/Washer (Alternator)
654	690958	Nut (Carburetor)	1070	593638	Screw (Flywheel Fan)
668	691500	Spacer (Rotating Screen)	1090	691293	Retainer-Brush
668A	691215	Spacer (Rotating Screen)	1095	594214	Gasket Set-Valve
684	691108	Screw (Breather Passage Cover)	1100	791959	Pivot-Rocker Arm
691	790574	Seal-Governor Shaft	1119	691183	Screw (Alternator)
697	591909	Screw (Drive Cap)	1127	695407	Screw (Float Bowl)
703	691010	Clip (Fuel Line)	1263	594166	Reed-Breather
718	690959	Pin-Locating	1264	594165	Screw (Breather Reed)
729	593826	Clip-Wire	1329	N/A	Replacement Engine (Not Available at this Printing)
741	690980	Gear-Timing	1330	273521	Repair Manual
742	690328	Retainer-E Ring			
750	796208	Screw (Oil Pump Cover)			
783	592600	Gear-Pinion (Steel)			
789	591392	Harness-Wiring			
798	697890	Screw (Rocker Arm)	Carburetor Overhaul Kit	Key No. 121	
801	691283	Cap-Drive	Engine Gasket Set	Key No. 358	
802	691286	Cap-End	Valve Gasket Set	Key No. 1095	
842	691031	Seal-O Ring (Dipstick Tube)			
847	499602	Dipstick/Tube Assembly			
850	100106	Sealant-Liquid			
851	493880s	Terminal-Spark Plug			
865	591667	Cover-Air Guide (Valley)			

**NOTE:** All component dimensions given in U.S. inches.  
1 inch = 25.4 mm

