

Repair Parts Manual

CRAFTSMAN®

LAWN TRACTOR

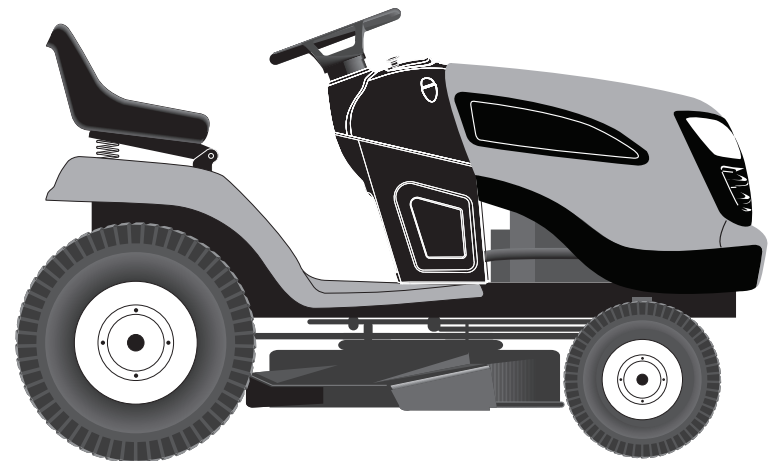
22.0 HP,* 42" Mower

Electric Start

Automatic Transaxle

Model No.

917.990421



Sears Brands Management Corporation, Hoffman Estates, IL 60179 U.S.A.
Visit our Craftsman website: www.craftsman.com

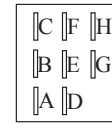
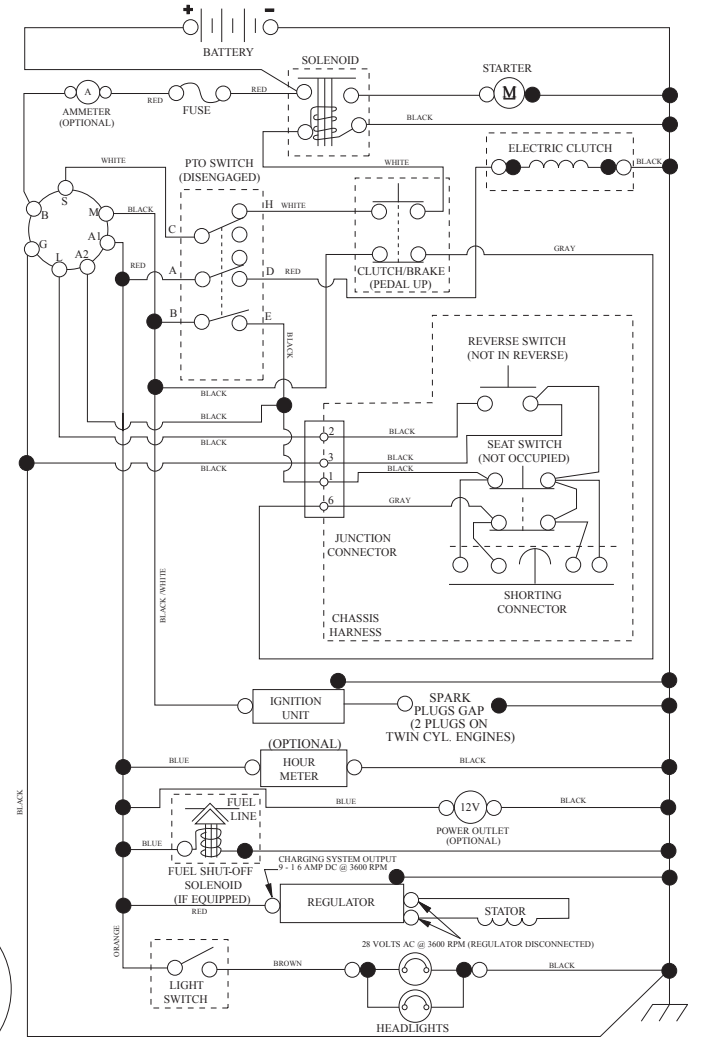
* The power rating as declared by the engine manufacturer is the average gross power output at the specified RPM of a typical production engine for the engine model measured using SAE Standards for engine gross power. Please refer to the engine manufacturer for details.

⚠️ WARNING: This tractor is equipped with an internal combustion engine and should not be used on or near any unimproved forest-covered, brush-covered or grass-covered land unless the engine's exhaust system is equipped with a spark arrester meeting applicable local or state laws (if any). If a spark arrester is used, it should be maintained in effective working order by the operator.

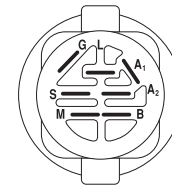
In the state of California the above is required by law (Section 4442 of the California Public Resources Code). Other states may have similar laws. Federal laws apply on federal lands. A spark arrester for the muffler is available through your nearest Sears service center (See ENGINE ASSEMBLY section of this manual).

SERVICE NOTES

SCH12

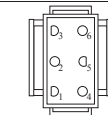


PTO SWITCH (MATING SIDE)

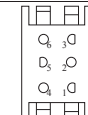


IGNITION SWITCH

POSITION	CIRCUIT	"MAKE"
OFF	M+G+A1	
RUN/OVERRIDE	B+A1	
RUN	B+A1	L+A2
START	B+S+A1	



CHASSIS HARNESS CONNECTOR (MATING SIDE)

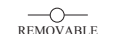


DASH HARNESS CONNECTOR

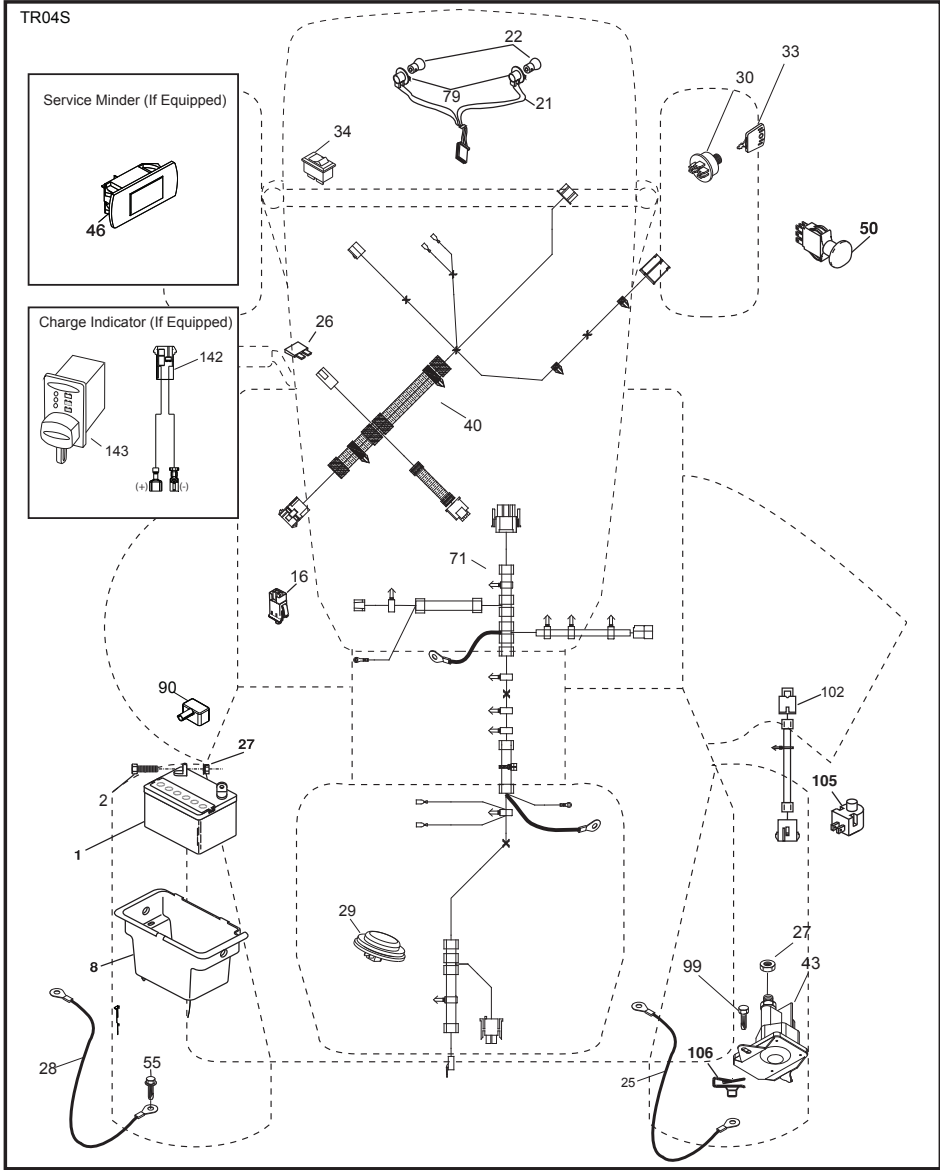
WIRING INSULATED CLIPS
NOTE: IF WIRING INSULATED CLIPS WERE REMOVED FOR SERVICING OF UNIT, THEY SHOULD BE RE-INSTALLED TO PROPERLY SECURE YOUR WIRING.



NON-REMOVABLE CONNECTIONS



REMOVABLE CONNECTIONS



TRACTOR - - MODEL NUMBER 917.990421

BRIGGS & STRATTON ENGINE-MODEL NUMBER 44R677, TYPE NUMBER 0026-G1

KEY NO.	PART NO.	DESCRIPTION	KEY NO.	PART NO.	DESCRIPTION
415	794903	Plug	918	797408	Hose-Vacuum (Rocker Cover #1)
418	795912	Plate-Carburetor	918A	799160	Hose-Vacuum (EVAP)
431	591661	Elbow-Intake	929	695239	Screw (Choke Control Bracket)
445	593240	Filter-Air Cleaner Cartridge	943	796222	Seal-O Ring (Oil Pump Cover) (Square Cut) (I.D. 2.48)
447	691003	Screw (Air Guide Cover) (#124x.43)	943A	690589	Seal-O Ring (Oil Pump Cover)
462	691261	Washer (Starter Cable)	947	798779	Solenoid-Fuel
467	790697	Knob-Air Cleaner	964	799159	Cap-Connector
474	592830	Alternator	965	796221	Cover-Oil Pump
501	845907	Regulator	968	795120	Cover-Air Cleaner
503	691532	Strap-Starter	975	796777	Bowl-Fuel
505	691029	Nut (Governor Control Lever)	987	691000	Seal-Throttle Shaft
510	696541	Drive-Starter	1005	791236	Fan-Flywheel
513	692024	Clutch-Drive	1012	592556	Retainer-Link
523	691036	Dipstick	1013	690954	Nipple-Oil Filter
524	691032	Seal-Dipstick Tube	1017	796214	Screen-Oil Pump
525	691037	Tube-Dipstick	1022	690971	Gasket-Rocker Cover
526	691108	Screw (Regulator)	1023	793146	Cover-Rocker (Cylinder #1)
552	796638	Bushing-Governor Crank	1023A	499600	Cover-Rocker (Cylinder #2)
552A	690553	Bushing-Governor Crank	1024	796220	Pump-Oil
562	690311	Screw (Governor Control Lever)	1026	690981	Rod-Push (Exhaust) (Steel)
573	790444	Plate-Back	1026A	690982	Rod-Push (Intake) (Aluminum)
601	691038	Hose-Clamp (Black)	1027	795890	Filter-Oil
615	698290	Retainer-Governor Shaft	1029	690972	Arm-Rocker
616	691045	Crank-Governor	1029A	807323	Arm-Rocker
617	697891	Seal-O Ring (Intake Manifold) (Red)	1036		Label-Emissions (Available from a Briggs & Stratton Authorized Dealer)
633	699813	Seal-Choke/Throttle Shaft(Choke Shaft)	1040	791237	Plate-Trim
6 33A	690998	Seal-Choke/Throttle Shaft	1051	691265	Ring-Retaining
635	665388	Boot-Spark Plug	1058	381258TRI	Operator's Manual
654	690958	Nut (Carburetor) (Serrated)	1059	698516	Kit-Screw/Washer (Alternator)
659	691029	Nut (Starter Strap)	1070	592604	Screw (Flywheel Fan)
668	691500	Spacer (Rotating Screen)	1090	691293	Retainer-Brush
668A	691215	Spacer (Rotating Screen)	1095	694013	Gasket Set-Valve
672	690234	Gasket-Carburetor Plate	1100	791959	Pivot-Rocker Arm
691	790574	Seal-Governor Shaft	1119	691183	Screw (Alternator)
697	591909	Screw (Drive Cap)	1123	690987	Seal-O Ring (Solenoid Retainer)
703	691010	Clip (Fuel Line)	1124	841653	Seal-O Ring (Fuel Transfer Tube)
718	690959	Pin-Locating	1124A	690988	Seal-O Ring (Fuel Transfer Tube)
729	797454	Clip-Wire	1126	690991	Screw (Fuel Transfer Tube)
741	690980	Gear-Timing	1127	695407	Screw (Float Bowl)
742	690328	Retainer-E Ring	1128	690990	Screw (Carburetor Nozzle)
750	796208	Screw (Oil Pump Cover)	1193	592577	Screw (Thermostat) (#10-32x.62)
783	695708	Gear-Pinion	1329	N/A	Replacement Engine (Not Available At This Printing)
789	591392	Harness-Wiring	1330	N/A	Repair Manual (Not Available At This Printing)
797	693167	Nut (Brush Retainer)	1353	699725	Seal-O Ring (Fuel Transfer Tube Extension)
798	697890	Screw (Rocker Arm)			Carburetor Overhaul Kit Key No. 121
801	691283	Cap-Drive			Engine Gasket Set Key No. 358
802	691286	Cap-End			Valve Gasket Set Key No. 109
842	691031	Seal-O Ring (Dipstick Tube)			
847	499602	Dipstick/Tube Assembly			
850	100106	Sealant-Liquid			
851	493880s	Terminal-Spark Plug			
865	591667	Cover-Air Guide (Valley)			
868	690968	Seal-Valve			
877	790544	Wire/Connector-Alternator			
883	690970	Gasket-Exhaust			
914	691127	Screw (Rocker Cover)			

NOTE: All component dimensions given in U.S. inches
1 inch = 25.4 mm

ELECTRICAL

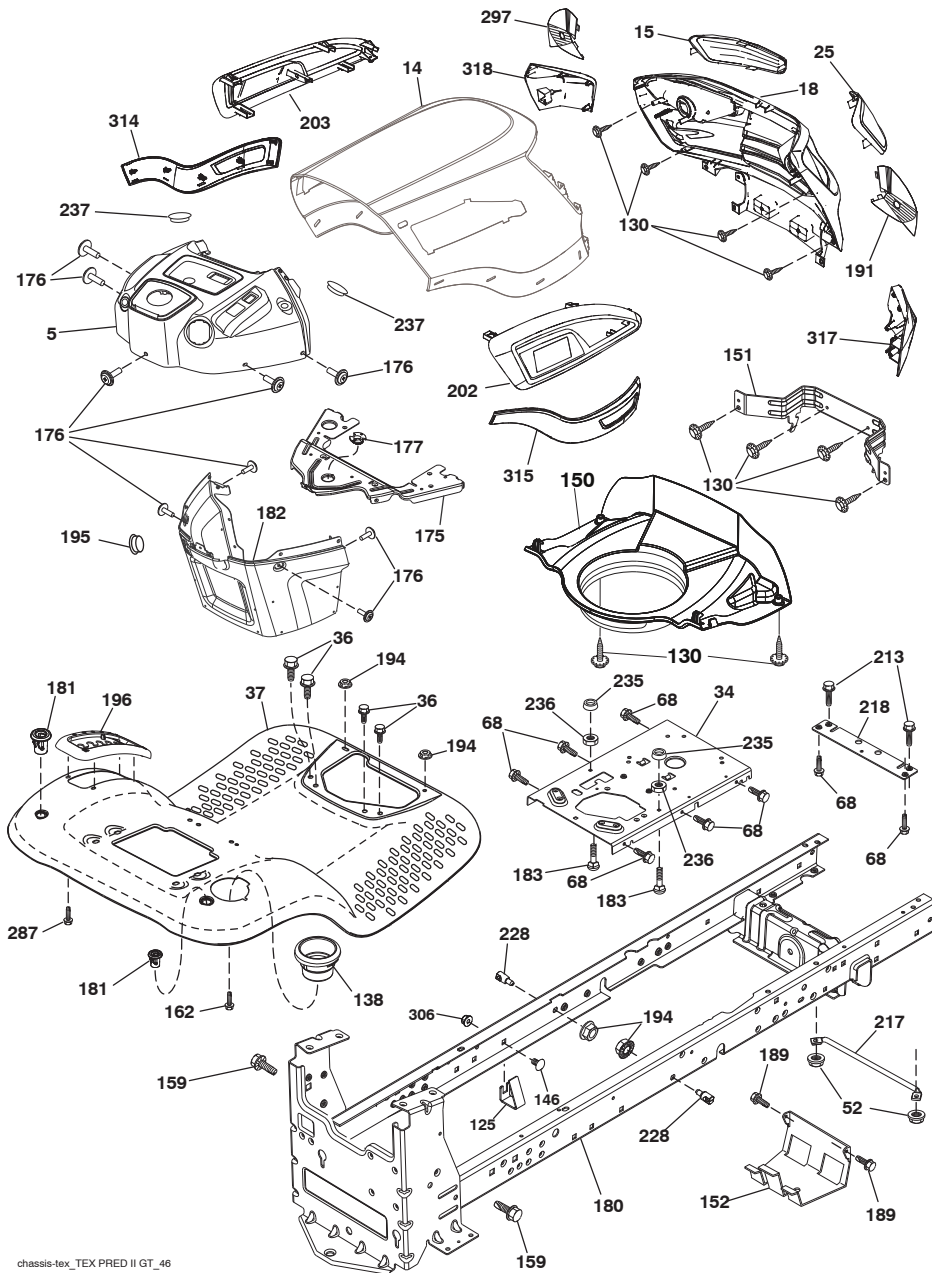
TRACTOR - - MODEL NUMBER 917.990421

KEY NO.	PART NO.	DESCRIPTION
1	163465	Battery
2	74760412	Bolt Hex Hd 1/4-20 unc x 3/4
8	193228	Box Battery
16	176138	Switch Interlock Push-In
21	400252	Harness Socket Light w/4152J
22	4152J	Bulb Light
25	581498001	Cable Starter
26	175158	Fuse
27	73510400	Nut Keps Hex 1/4-20 unc
28	421686	Cable, Ground
29	401545	Switch, Seat
30	193350	Switch, Ign
33	411932	Key/Chain
34	110712X	Switch Light / Reset
40	581023201	Harness Ign. Dash
43	582042801	Solenoid
46	586161801	Gauge SRVCMNDR HRMTR
50	582107602	Switch PTO
55	17060512	Screw Thdrol 5/16-18 x 3/4 TYTT
71	501133701	Harness Ign. Chassis
79	175242	Bulbholder Asm. Incan Descent
90	435395	Cover Terminal Battery
99	17670412	Screw Hexwsh Thdrol 1/4-20 x 3/4
102	404454	Harness Pigtail
105	407568	Switch Reverse
106	174814	Palnut 1/4 Lugs

NOTE: All component dimensions given in U.S. inches
1 inch = 25.4 mm

TRACTOR -- MODEL NUMBER 917.990421

CHASSIS ASSEMBLY



chassis-tex_TEX PRE0 II GT_46

TRACTOR -- MODEL NUMBER 917.990421

BRIGGS & STRATTON ENGINE-MODEL NUMBER 44R677, TYPE NUMBER 0026-G1

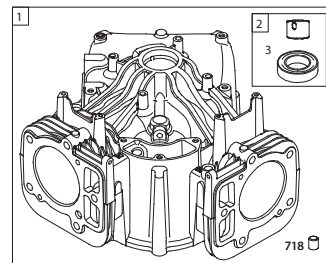
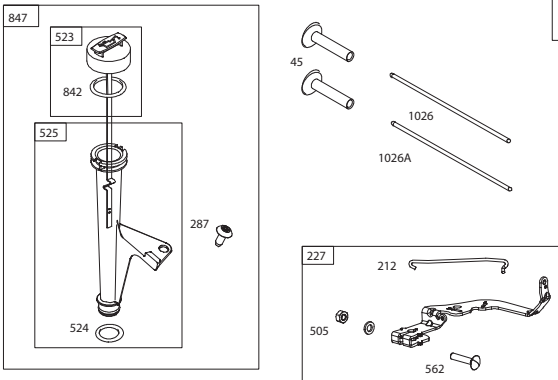
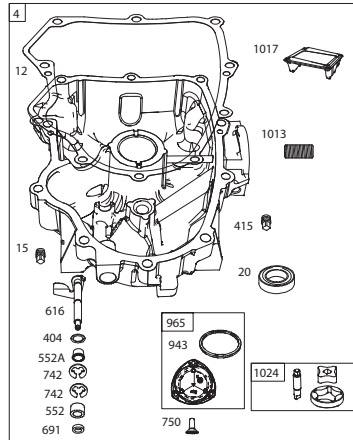
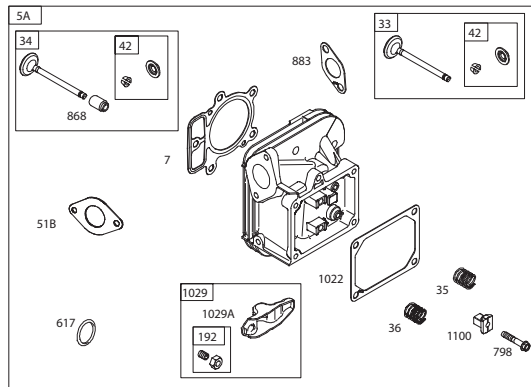
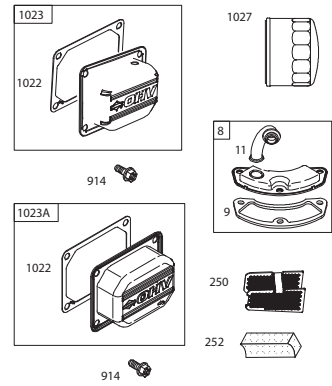
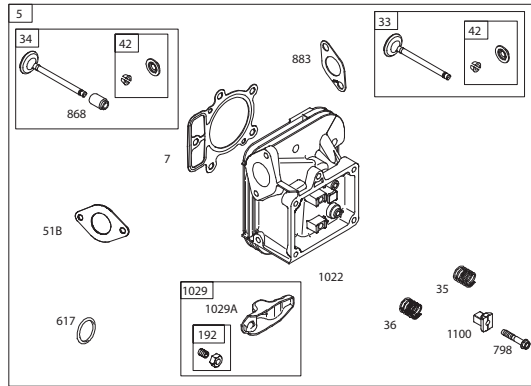
KEY NO.	PART NO.	DESCRIPTION	KEY NO.	PART NO.	DESCRIPTION
1	591695	Cylinder Assembly	133	699724	Float-Carburetor
2	797673	Bushing/Seal Kit (Magneto Side)	135	699729	Tube-Fuel Transfer
3	3910865	Seal-Oil (Magneto Side)	137	690994	Gasket-Float Bowl
4	796307	Sump-Engine	141	796228	Kit-Choke Shaft
5	796231	Head-Cylinder (Cylinder #1)	142	699726	Nozzle-Carburetor
5A	796232	Head-Cylinder (Cylinder #2)	150	841649	Gasket-Nozzle
7	693997	Gasket-Cylinder Head	163	691001	Gasket-Air Cleaner
8	792185	Breather Assembly	186	795985	Connector-Hose (Intake Manifold)
9	690937	Gasket-Breather	186A	799158	Connector-Hose (EVAP)
10	691108	Screw (Breather Assembly)	186B	845141	Connector-Hose (EVAP)
11	792184	Tube-Breather	187	791766	Line-Fuel (Cut to Required Length)
12	591911	Gasket-Crankcase	188	691108	Screw (Control Bracket)
13	793988	Screw (Cylinder Head)	192	690083	Adjuster-Rocker Arm
15	690946	Plug-Oil Drain	209	798921	Spring-Governor (Orange)
16	796237	Crankshaft	211	691019	Spring-Governed Idle (No Color)
20	795387	Seal-Oil (PTO Side)	212	695238	Link-Throttle
22	694966	Screw (Crankcase Cover/Sump)	216	796229	Link-Choke
23	691053	Flywheel	217	799771	Spring-Choke Return
24	2226985	Key-Flywheel (Aluminum)	219	793338	Gear-Governor
25	792023	Piston Assembly (Standard)	220	799772	Washer (Governor Gear)
	792072	Piston Assembly (.020" Oversize)	221	841026	Cup-Governor
26	792026	Ring Set (Standard)	222	592555	Bracket-Control
	792073	Ring Set (.020" Oversize)	227	798856	Lever-Governor Control
27	690975	Lock-Piston Pin	231	690718	Screw (Choke Valve)
28	696581	Pin-Piston	240	695666	Filter-Fuel
29	796209	Rod-Connecting	250	690957	Retainer-Breather
32	690976	Screw (Connecting Rod)	252	794389	Collector-Oil
33	697576	Valve-Exhaust	265	691024	Clamp-Casing
34	792200	Valve-Intake	267	792629	Screw (Casing Clamp)
35	694865	Spring-Valve (Intake)	276	695410	Washer-Sealing (Aluminum)
36	694865	Spring-Valve (Exhaust)	276A	690997	Washer-Sealing (Fiber)
42	499586	Keeper-Valve	276B	794271	Washer-Sealing
45	690977	Tappet-Valve	287	697820	Screw (Dipstick Tube)
46	792555	Camshaft	304	591668	Housing-Blower
48	N/A	Short Block (Not Available At This Printing)	305	691005	Screw (Blower Housing)(1/420x.66)
			305A	790690	Screw (Blower Housing) (Blower Housing to Intake Elbow)
50	591784	Manifold-Intake	305B	691061	Screw (Blower Housing)(#8-32x.87)
51	795123	Gasket-Intake	306	591666	Shield-Cylinder (Cylinder #2)
51A	690950	Gasket-Intake	306A	796852	Shield-Cylinder (Cylinder #1)
51B	690949	Gasket-Intake	307	691003	Screw (Cylinder Shield)
53	690951	Stud (Carburetor)	307A	691108	Screw (Cylinder Shield)(1/4-20x.66)
54	699816	Screw (Intake Manifold)	309	497595	Motor-Starter
73	494439	Screen-Rotating	310	690323	Screw (Starter Motor)
74	698425	Screw (Rotating Screen)	311	497608	Brush Set
75	691056	Washer (Flywheel)	332	691059	Nut (Flywheel)
95	690718	Screw (Throttle Valve)	333	592846	Armature-Magneto
98	699721	Kit-Idle Speed	334	691061	Screw (Magneto Armature)
104	694918	Pin-Float Hinge	337	792015	Plug-Spark
105	797410	Valve-Float Needle	358	694012	Gasket Set-Engine
108	699723	Valve-Choke	367	697820	Screw (Wire Clip)
117	792296	Jet-Main (Standard) (Left Jet)	377	690979	Key-Woodruff
117A	842627	Jet-Main (Standard) (Left Jet)	385	797409	Screw (Fuel Pump)
118	699457	Jet-Main (High Altitude) (Left Jet)	387	808656	Pump-Fuel
		(5000/9000 Feet)	404	690442	Washer (Governor Crank)
118A	699733	Jet-Main (High Altitude)(Right Jet)	405	697820	Screw (Back Plate)
		(5000/9000 Feet)			
121	797890	Kit-Carburetor Overhaul			
125	796227	Carburetor			
130	690993	Valve-Throttle			
131	499805	Kit-Throttle Shaft			

TRACTOR - - MODEL NUMBER 917.990421

BRIGGS & STRATTON ENGINE-MODEL NUMBER 44R677, TYPE NUMBER 0026-G1

TRACTOR - - MODEL NUMBER 917.990421

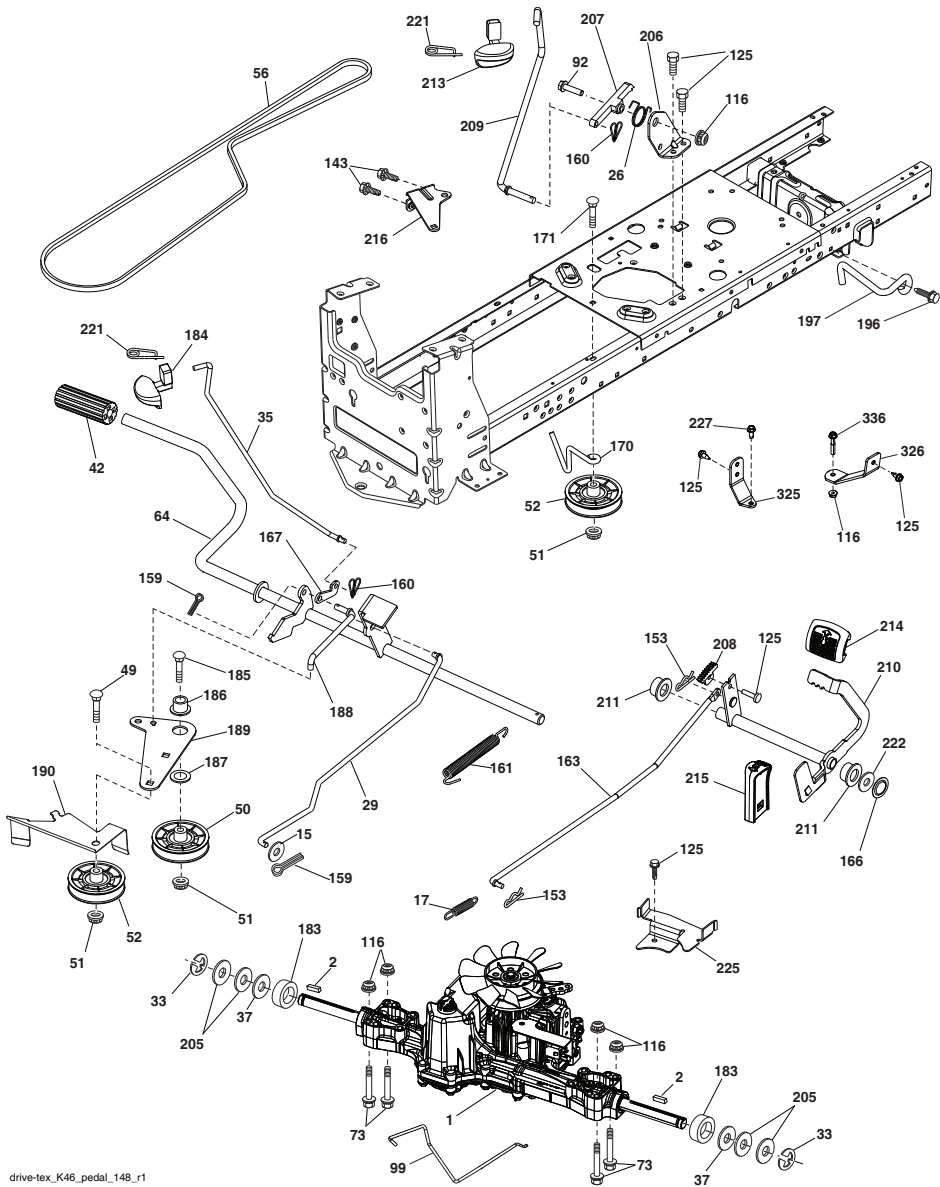
CHASSIS ASSEMBLY



KEY PART NO.	NO.	DESCRIPTION
5	424927X428	Dash
14	421154X615	Hood
15	421493X599	Lens LH
18	589494001	Grille
25	421494X599	Lens RH
34	580910801	Plate Engine
36	17060512	Screw 5/16-18 x 3/4
37	414879X615	Fender
52	73680500	Nut Crown Lock 5/16-18
68	17490508	Screw Thdrol 5/16-18 x 1/2
125	581684801	Clip Fuel Line
130	416358	Screw # 10 x .750 BOS Thread
138	193224X428	Cupholder
146	581857901	Bolt
150	584862901	Duct Heat Hood
151	445494	Bracket Pivot
152	199535	Shield Browning/Debris
159	17000612	Screw Hexwsh Thdrol 3/8-16 x 3/4
162	142432	Screw Hex Wsh Hi-Lo 1/4 x 1/2
175	196304	Crossmember
176	400776	Screw 10-24 x 5/8 Wshd Qdrx
177	195228	Bushing Steering
180	195457	Chassis
181	193102X428	Bushing Mtg. Fender Crgo.
182	406859	Dash Lower
183	74520520	Bolt 5/16-18 x 1-1/4
189	17000512	Screw 5/16 - 18 x 3/4
191	425407	Insert Reflective RH
194	73900500	Nut Lock Hex Flange 5/16-18
195	401556X428	Plug Hole Dash 12V Adapter
196	414579	Console Asm. Deck Lift
202	441724X428	Vent Side Hood RH
203	441725X428	Vent Side Hood LH
213	74760512	Bolt hex HD 5/16-18 unc x 3/4
217	409167	Rod Pivot Chassis
218	196395	X piece hood stop
228	195161	Stud Fastener
235	406129	Spacer Fender
236	73930500	Nut Center Lock 5/16-18
237	403704	Plug Mount Cargo
287	17600406	Screw Hex Washead 1/4-20 x 3/8
297	425406	Insert Reflective LH
306	73900600	Nut Lock
314	587624301	Trim SD LH
315	587624401	Trim SD RH
317	421258X615	Bumper Corner RH
318	421257X615	Bumper Corner LH

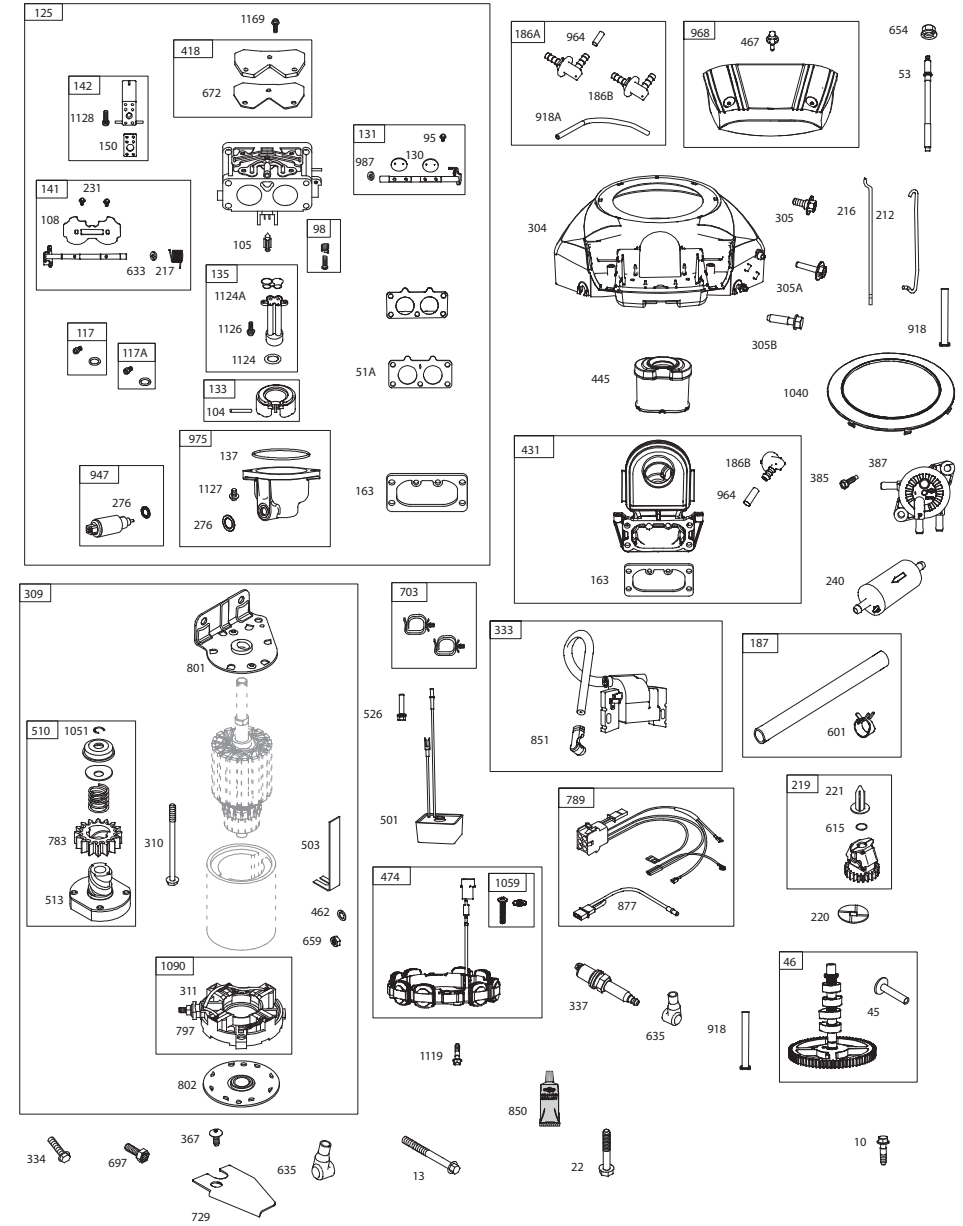
NOTE: All component dimensions given in U.S. inches
1 inch = 25.4 mm

TRACTOR - - MODEL NUMBER 917.990421
GROUND DRIVE



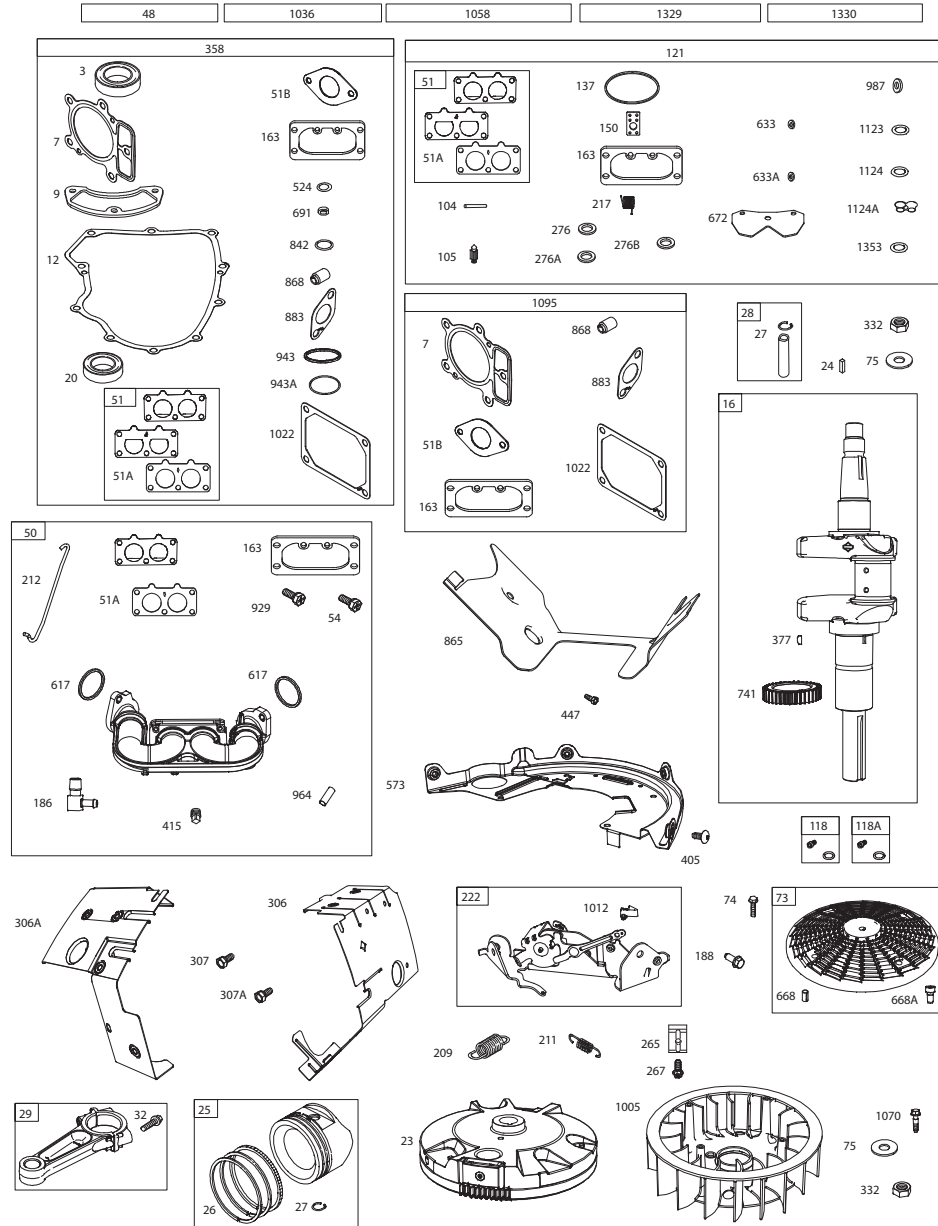
drive-tex_K46_pedal_148_r1

TRACTOR - - MODEL NUMBER 917.990421
BRIGGS & STRATTON ENGINE-MODEL NUMBER 44R677, TYPE NUMBER 0026-G1



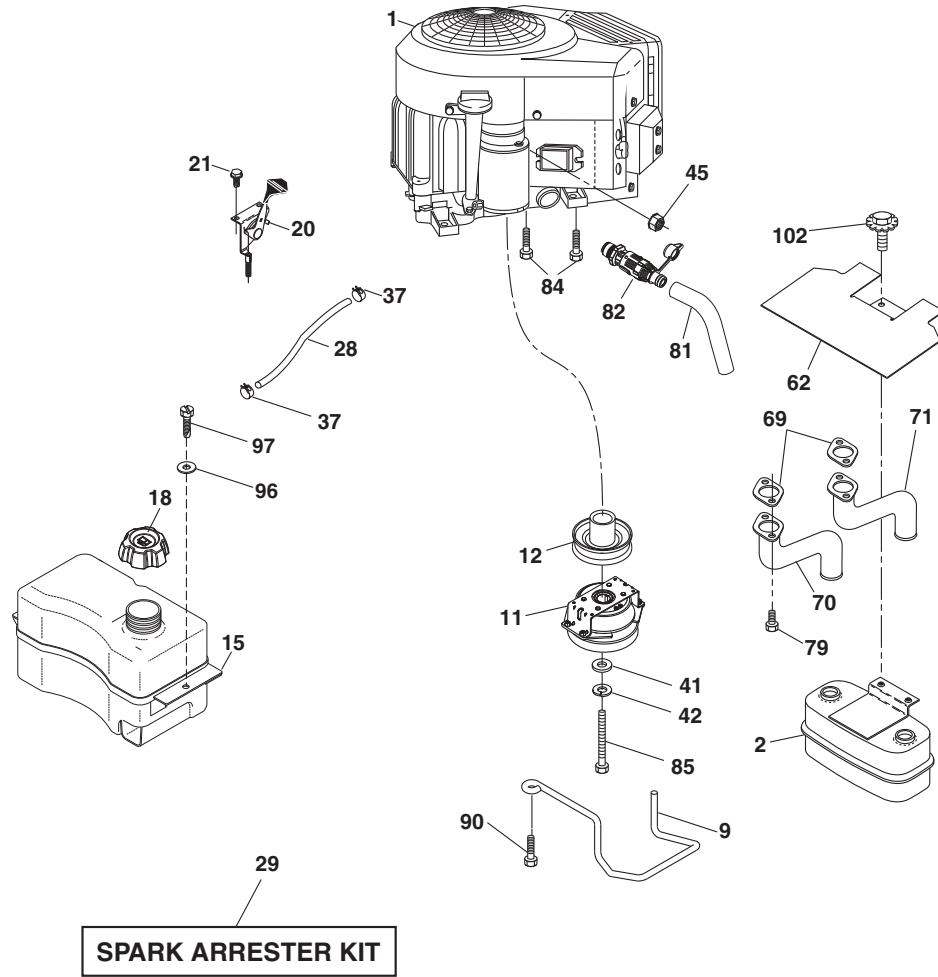
TRACTOR - - MODEL NUMBER 917.990421
BRIGGS & STRATTON ENGINE-MODEL NUMBER 44R677, TYPE NUMBER 0026-G1

TRACTOR - - MODEL NUMBER 917.990421
GROUND DRIVE



KEY PART NO.	NO.	DESCRIPTION	KEY PART NO.	NO.	DESCRIPTION
1	---	Transaxle, TUFFTORQ K46 BT (426120) (See Transaxle Break-down.)	183	137057	Spacer Split
2	123583X	Key	184	196439X428	Handle Parking Brake
15	19131316	Washer 13/32 x 13/16 x 16 Ga.	185	72110622	Bolt 3/8-16 x 2-3/4 Gr. 5
17	413678	Spring, Brake	186	194321	Spacer Retainer
26	199679	Spring Return Cruise	187	19133210	Washer
29	403806	Rod, Brake	188	582217001	Link Clutch Ground Drive, Long
33	12000001	Ring E	189	194317	Bellcrank Ground Drive
35	583864501	Rod, Brake, Park	190	194318	Keeper Bellcrank Ground Drive
37	188967	Washer	196	17000616	Screw 3/8-16 x 1
42	8883R	Cover, Foot Pedal	197	585658601	Link Clutch Anti-Rotation
49	72110614	Bolt	205	121748X	Washer
50	194327	Pulley Idler Flat	206	448596	Bracket Mount Latch Cruise
51	73900600	Lock Nut 3/8-16	207	587031401	Latch Control Cruise
52	194326	Idler V-Groove	208	197869	Gear Sector Control Cruise
56	130969	V-Belt, Drive	209	199592	Rod Control Cruise
64	197865	Shaft Asm. Pedal Brake Control	210	400980	Rocker Asm. Pedal Control
73	74490540	Bolt 5/16-18 x 2-1/2 Gr. 5	211	120183X	Bearing Nylon
92	74760520	Bolt Fin Hex 5/16-18 unc x 1.25	213	196441X428	Knob Control Cruise
99	415742	Rod Spring Bypass	214	421263	Pedal Forward
116	73900500	Nut Lock Hex Flange 5/16-18	215	197301X428	Pedal Reverse
125	17000512	Screw 5/16-18 x 3/4	216	196131	Bracket Pulley Idler
143	17490508	Screw 5/16-18 x 1/2	221	403187	Retainer Spring Clip Handle
153	4497H	Retainer Spring	222	79212010	Washer 21/32 x 1-1/4 x 10 Ga.
159	76020412	Pin Cotter 1/8 x 3/4	225	403319	Keeper Belt Trans.
160	169484	Retainer Clip	227	17490512	Screw Thdrol 5/16-18 x 3/4
161	105709X	Spring, Return, Clutch	325	585668502	Bracket
163	448275	Rod Pedal Control	326	585670802	Bracket
166	429164	Nut Push .625	336	587259601	Bolt
167	405257	Latch Brake Parking			
170	194322	Keeper Belt Centerspan			
171	72110616	Bolt Rd. Hd. Sq. NK. 3/8-16uncx2			

NOTE: All component dimensions given in U.S. inches
 1 inch = 25.4 mm



engine-tex_bs-2cyl_127_r1

KEY PART NO.	NO.	DESCRIPTION
7	414395	VENT VALVE 15
8	414396	MAGNET
9	414397	MAGNET HOLDER
10	415923	PUMP SHAFT/BEARING KIT
13	414398	BYPASS LEVER
15	414399	SEALING CAP 30
16	414400	SNAP RING C 35
19	414401	O-RING 1A P10A
20	414402	SEAL TC 153507
33	414403	PUMP SHAFT (STANDARD)
34	414404	E-RING 15
35	414405	BEARING 6202C3
53	414431	CONTROL LEVER F
55	415924	WASHER 12
58	415925	ROLL PIN 6 * 40
59	415926	O-RING 1A P14
60	415927	NUT 12
72	414407	SEAL 19 * 32 * 8
76	414408	BRAKE LEVER
78	414409	BRAKE RETURN SPRING
80	414410	SPRING PIN 5 * 32
81	414411	O-RING 1A P12
82	414412	SPRING PIN 4 * 16
83	414413	SPINE COLLAR
84	414414	PULLEY L
85	414415	FAN, BLACK
86	414416	WAVE WASHER
87	414417	SNAP RING
90	414418	SPRING PIN 3.0A * 20
91	414419	OIL SEAL 16 * 22 * 03
95	414850	SPRING PIN 3.0A*16
96	414420	ROLL PIN 3.5 * 40
115	415928	SWITCH 6440-11 DELTA
116	415929	SWITCH BRACKET
117	415930	TAPPING SCREW 8 * 20

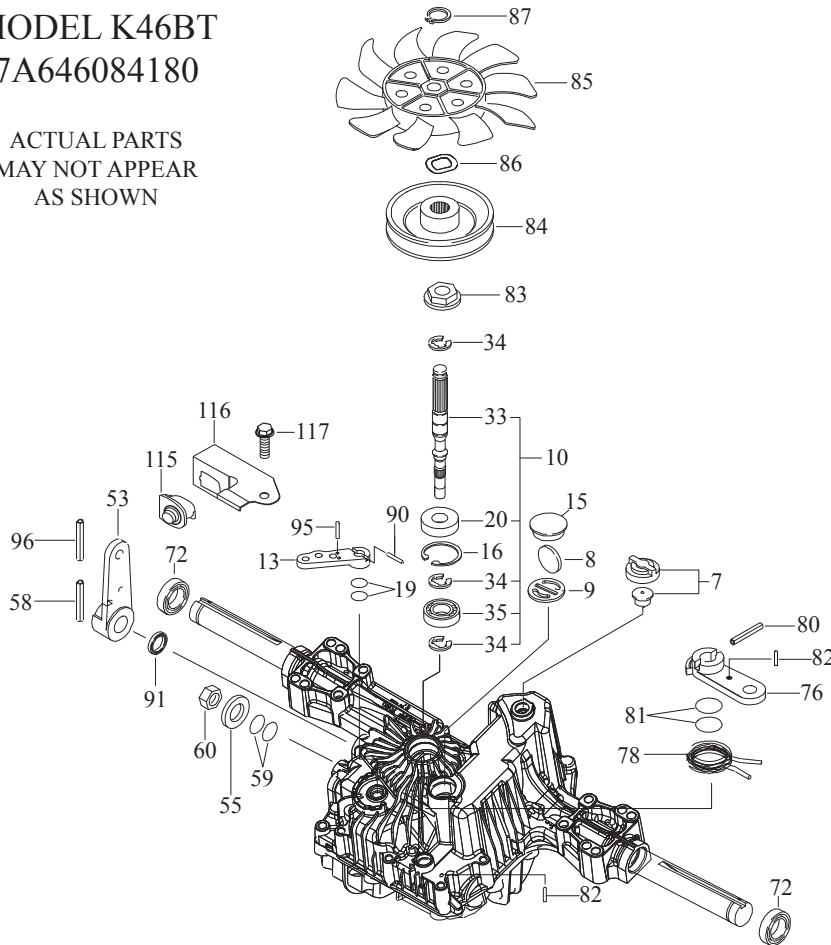
NOTE: All component dimensions given in U.S. inches
1 inch = 25.4 mm

TRACTOR - - MODEL NUMBER 917.990421

TUFFTORQ TRANSAXLE - MODEL NUMBER K46BT

MODEL K46BT
7A646084180

ACTUAL PARTS
MAY NOT APPEAR
AS SHOWN



ENGINE

TRACTOR - - MODEL NUMBER 917.990421

KEY PART
NO. NO.

DESCRIPTION

KEY PART NO.	NO.	DESCRIPTION
1	---	Engine B&S Model No. 44R677-0026-G1 (586607601) (See Engine Breakdown.)
2	445962	Muffler
9	501832602	Keeper Belt Engine
11	587241501	Clutch Electric
12	405097	Pulley Engine
15	581290101	Tank Fuel
18	430220	Cap Asm
20	421473X428	Control Throttle
21	416358	Screw 10 x .750 BOS Thread
28	137040	Fuel Line
29	137180	Spark Arrester Kit
37	123487X	Clamp Hose
41	126197X	Washer 1-1/2 OD x 15/32 ID x .250
42	10040700	Washer Lock 7/16
45	73510400	Nut Keps Hex 1/4-20 unc
62	434017	Shield Heat Muffler
69	165391	Gasket
70	581881101	Exhaust Tube LH
71	581881001	Exhaust Tube RH
79	183906	Screw 5/16-18 x .75
81	148456	Tube Drain Oil
82	428287	Valve Oil Drain
84	17060620	Screw 3/8-16 x 1-1/4
85	581332804	Bolt 7/16-20 x 3.5 Gr. 5
90	17000616	Screw 3/8-16 x 1.0
96	19091416	Washer 9/32 x 7/8 x 16 Ga.
97	17670412	Screw Hexwsh Thdrol 1/4-20 x 3/4
102	17000512	Screw 5/16-18 x 3/4

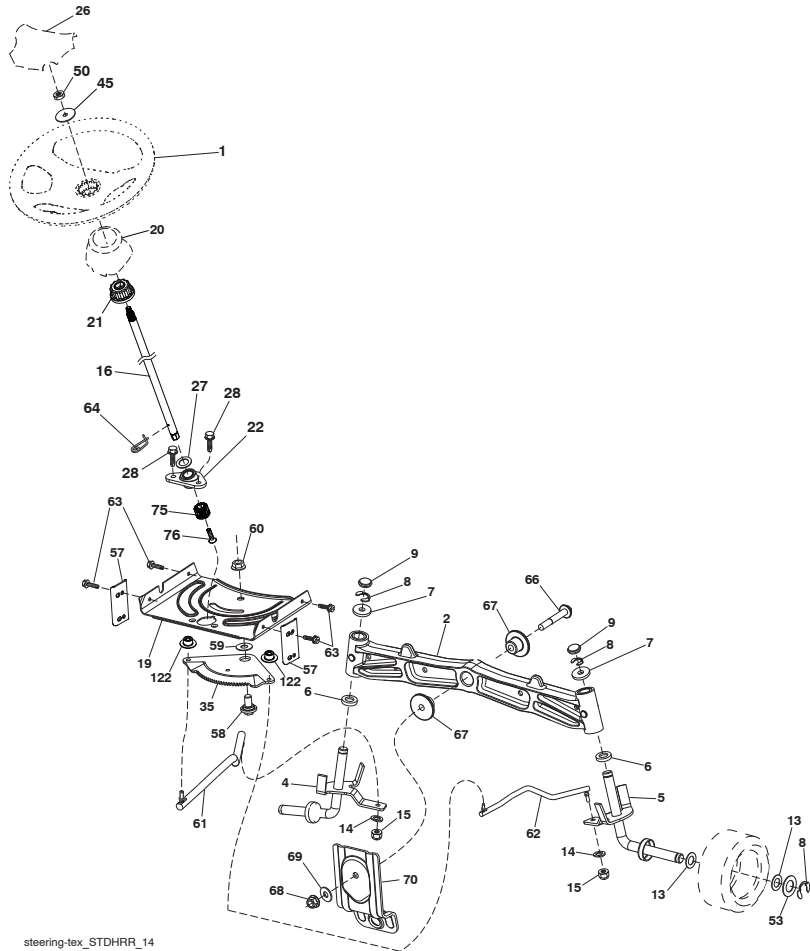
NOTE: All component dimensions given in U.S. inches
1 inch = 25.4 mm

Engine Power Rating Information

The gross power rating for individual gas engine models is labeled in accordance with SAE (Society of Automotive Engineers) code J1940 (Small Engine Power & Torque Rating Procedure), and rating performance has been obtained and corrected in accordance with SAE J1995 (Revision 2002-05). Torque values are derived at 3060 RPM; horsepower values are derived at 3600 RPM. Actual gross engine power will be lower and is affected by, among other things, ambient operating conditions and engine-to-engine variability. Given both the wide array of products on which engines are placed and the variety of environmental issues applicable to operating the equipment, the gas engine will not develop the rated gross power when used in a given piece of power equipment (actual "on-site" or net power). This difference is due to a variety of factors including, but not limited to, accessories (air cleaner, exhaust, charging, cooling, carburetor, fuel pump, etc.), application limitations, ambient operating conditions (temperature, humidity, altitude), and engine-to-engine variability. Due to manufacturing and capacity limitations, Briggs & Stratton may substitute an engine of higher rated power for this Series engine.

TRACTOR - - MODEL NUMBER 917.990421

STEERING ASSEMBLY



steering-tex_STDHRR_14

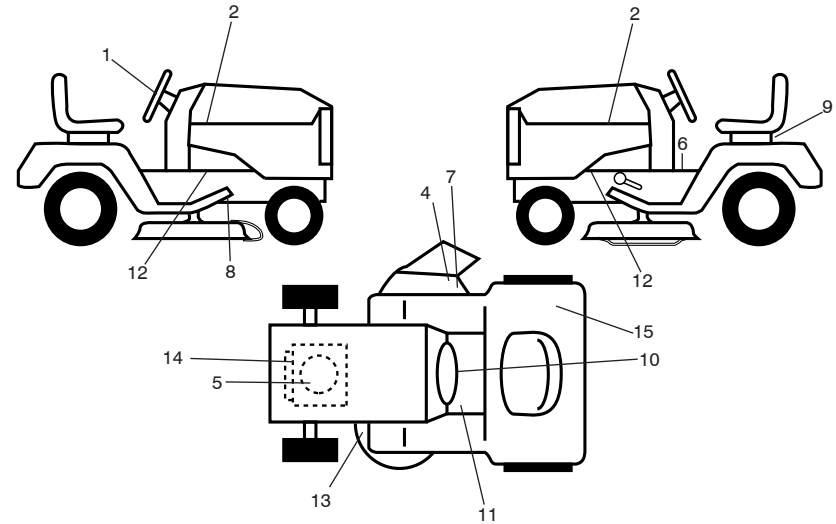
KEY PART NO.	NO.	DESCRIPTION
1	414803X428	Wheel, Steering
2	195968	Axle Asm., Front
4	403087	Spindle LH
5	403088	Spindle RH
6	6266H	Thrust Washer
7	121748X	Washer 25/32 x 1-5/8 x 16 Ga.
8	12000029	Ring, Klip #T5304-75
9	184946X667	Cap, Spindle
13	121749X	Washer 25/32 x 1-1/4 x 16 Ga.
14	10040600	Washer, Lock Hvy Hlcl Spr 3/8
15	73540600	Nut, Crown Lock 3/8-24 unf
16	587016002	Shaft Steering
19	194729	Plate Steering
20	199676X428	Boot, Steering
21	586840201	Adapter, Wheel Steering
22	585029802	Bearing Subasm Shaft Steer Low
26	414852X428	Insert, Wheel Steering
27	19211616	Washer 21/32 x 1 x 16 Ga.
28	17000612	Screw 3/8-16 x 3/4
35	194732	Gear, Sector Plate
45	587016401	Washer 3/8 ID 2-3/8 OD 12 Ga.

KEY PART NO.	NO.	DESCRIPTION
50	73900600	Nut Lock Flg 3/8-16 unc
53	188967	WasherHardened.793x1.637x.060
57	407465	Bracket Upstop
58	194747	Bolt Shoulder Sector Pivot CFM
59	194748	Washer Thrust Sector Steering
60	73971000	Nut Flange Lock 5/8-11
61	194740	Draglink LH
62	194741	Draglink, RH
63	17000512	Screw 5/16-18 x 3/4
64	199849	Retainer Clip Spring Steering
66	71020748	Bolt Hex Fghd 7/16-14 x 3 Serr
67	194737	Bushing PM Front Axle
68	73900700	Nut Lock Flange 7/16-14 Gr. 5
69	199162	Washer 1.5 x .505 x .118
70	585338801	Bracket Deck Susp. Front
75	580683701	Pinion
76	580683601	Screw Head Sock
122	444962	Cap Gear Sector

NOTE: All component dimensions given in U.S. inches
1 inch = 25.4 mm

TRACTOR - - MODEL NUMBER 917.990421

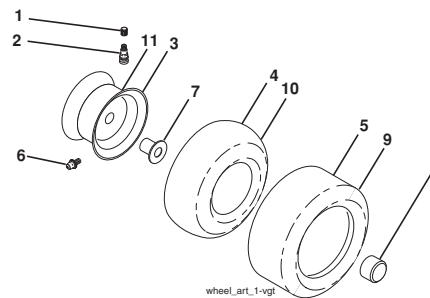
DECALS



KEY PART NO.	NO.	DESCRIPTION
1	581894601	Decal, Steering
2	582838901	Decal, Hood LH/RH
4	584904601	Decal, Deflect. Warning
5	582522401	Decal, Engine HP
6	581578101	Decal, Warning
7	581579201	Decal, Mower Warning
8	421534	Decal, V-Belt Schematic Drive
9	145005	Decal, Battery Warning
10	581578001	Decal, Brake Parking
11	581724001	Decal, Brake Clutch Sym.
12	581579601	Decal, Hot Muffler

KEY PART NO.	NO.	DESCRIPTION
13	581580001	Decal, Mower V-Belt SCH.
14	581579701	Decal, Engine Warning
15	501082601	Decal, ECM Austr.
--	193226X428	Pad, Footrest LH
--	400981X428	Pad, Footrest RH
--	581724801	Decal, Bypass
--	581724601	Decal, Chassis Drawbar
--	589492901	Manual, Operator's (English)
--	589492701	Manual, Parts (English)

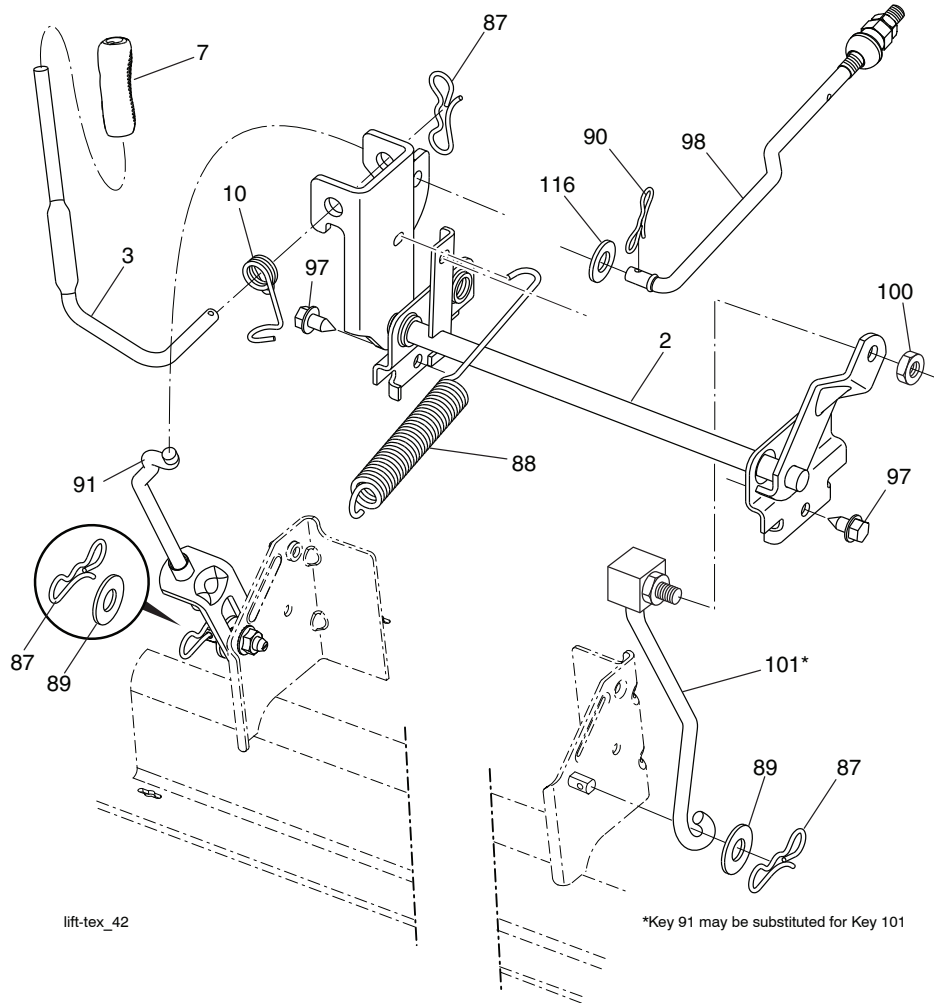
WHEELS & TIRES



KEY PART NO.	NO.	DESCRIPTION
1	59192	Cap, Valve, Tire
2	65139	Stem, Valve
3	106732X613	Rim Assembly, Front
4	59904	Tube, Front
5	106222X	Tire, Front 15 x 6-6
6	278H	Fitting, Grease
7	9040H	Bearing, Flange
8	104757X428	Cap, Axle (Front Wheel Only)
9	138468	Tire, Rear 20 x 8-8
10	7152J	Tube, Rear
11	106108X613	Rim Assembly, Rear
--	144334	Sealant, Tire (10 oz. Tube)

NOTE: All component dimensions given in U.S. inches
1 inch = 25.4 mm

TRACTOR - - MODEL NUMBER 917.990421
LIFT ASSEMBLY



lift-tex_42

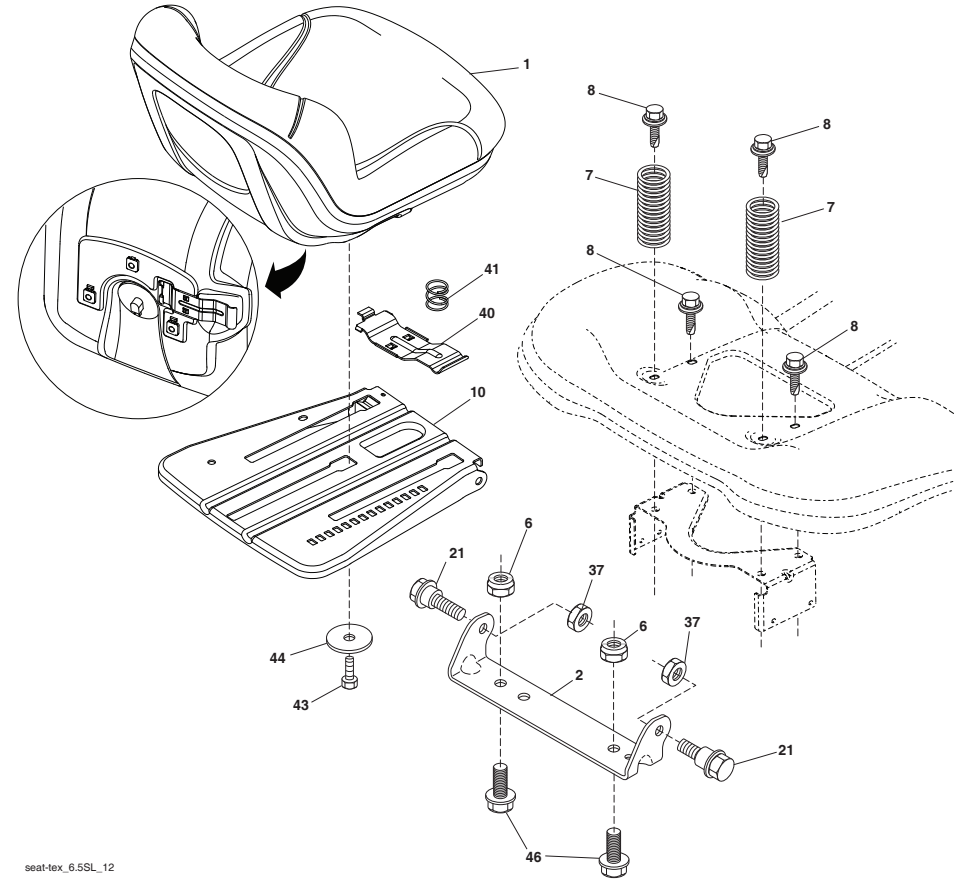
*Key 91 may be substituted for Key 101

KEY PART NO. NO.	DESCRIPTION
2 422027	Shaft Asm., Lift
3 195231	Lever Asm., Lift RH
7 445060X428	Grip, Lever
10 196314	Spring Torsion
87 194209	Pin Cotter 7/16 Bow Tie Lock
88 410710	Spring Lift Assist
89 19191912	Washer Clear Zinc
90 194208	Pin Cotter 5/16 Bow Tie Lock
91 195181	Link Lift Susp Mower Rear

KEY PART NO. NO.	DESCRIPTION
97 17000612	Screw 3/8-16 x .75
98 195270	Link Lift Susp. Front Mower
100 73930600	Nut Centerlock 3/8-16 unc
101 407003	Link ASm Lift Fxd
116 19151516	Washer 15/32 x 15/16 x 16 Ga.

NOTE: All component dimensions given in U.S. inches
 1 inch = 25.4 mm

TRACTOR - - MODEL NUMBER 917.990421
SEAT ASSEMBLY



seat-tex_6.5SL_12

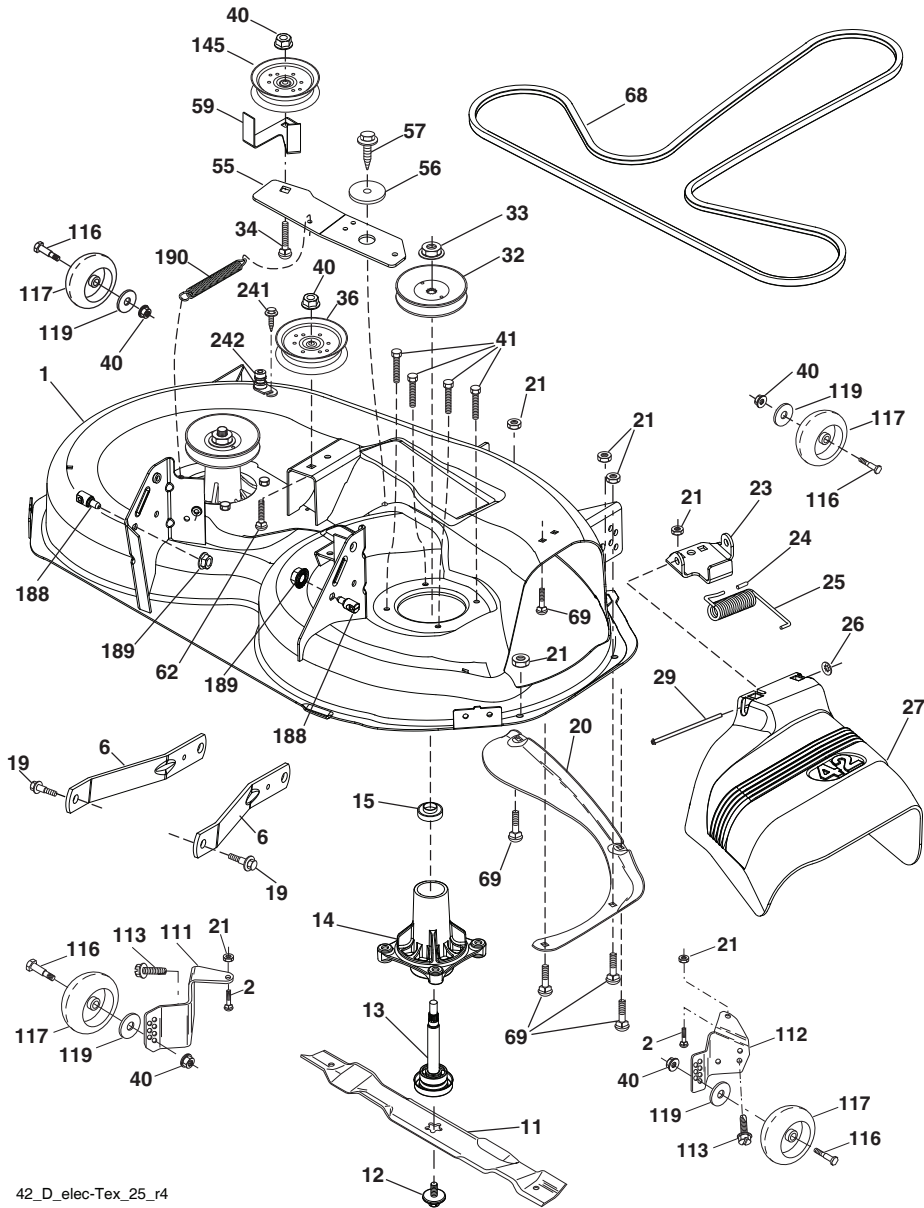
KEY PART NO. NO.	DESCRIPTION
1 586507601	Seat
2 180166	Bracket Pivot Fender
6 73800600	Nut, Lock 5/16-18 unc
7 587613301	Spring, Seat Cprsn
8 171877	Bolt 5/16-18 unc x 3/4 w/Sems
10 196977	Pan, Seat
21 587907801	Bolt, Shoulder 5/16-18 x 5/8
37 73800500	Nut, Lock 5/16-18 unc PL
40 197661	Handle Slide Seat

KEY PART NO. NO.	DESCRIPTION
41 198200	Spring Latch Seat
43 74760612	Bolt 3/8-16 x 3/4
44 19133812	Washer 13/32 x 2-3/8 x 12 Ga.
46 588090401	Bolt 3/8-16 x1,1.25 OD Wshr SEMS

NOTE: All component dimensions given in U.S. inches
 1 inch = 25.4 mm

MOWER DECK

TRACTOR -- MODEL NUMBER 917.990421



42_D_elec-Tex_25_r4

MOWER DECK

TRACTOR -- MODEL NUMBER 917.990421

KEY PART NO.	NO.	DESCRIPTION
1	196495X615	Deck Weldment Mower
2	72140506	Bolt 5/16-18 x 3/4
6	195186	Arm Suspension
11	424752	Blade, 42" 3NI
12	584309301	Screw 7/16-20 x 1 Hex
13	587256501	Shaft Assembly, Mandrel
14	187281	Housing, Mandrel
15	585323901	Bearing, Mandrel
19	196539	Bolt, Shoulder
20	159770	Baffle Vortex
21	73680500	Nut, Crownlock 5/16-18 unc
23	192557	Bracket, Deflector
24	105304X	Cap, Sleeve
25	197026	Spring, Torsion, Deflector
26	110452X	Nut, Push
27	424469	Shield, Deflector
29	131491	Rod, Hinge
32	153535	Pulley, Mandrel
33	400234	Nut, Toplock, Flanged
34	72110612	Bolt Carr Sh. 3/8-16 x 1-1/2 Gr. 5
36	197379	Pulley, Idler
40	73900600	Nut, Lock Flg. 3/8-16 unc
41	584953901	Bolt Hex Wsh Hd .313-18 x 1.19
55	437110	Arm, Idler
56	199092	Spacer, Retainer
57	17000616	Screw 3/8-16 x 1
59	141043	Guard, Tuv Idler
62	72110616	Bolt Rd Hd Sq Nk 3/8-16 unc x 2
68	144959	Drive, Belt
69	72140505	Bolt
111	404784	Bracket Wheel Gauge LH
112	404785	Bracket Wheel Gauge RH
113	17000510	Bolt 5/16-18
116	4898H	Bolt, Shoulder
117	188606	Wheel, Gauge
119	19121414	Washer 3/8 x 7/8 x 14 Ga.
145	193197	Pulley Idler, Flat
188	195161	Stud Fastener
189	73900500	Nut Lock Hex Flange
190	197251	Spring Mower Drive
241	152927	Screw TT #10-32.5. 3/8 Flange
242	415598	Port Washout
--	416405	Coupling Quick Connect
--	587253301	Mandrel Assembly (Includes housing (key #14), shaft assembly (key #13), and bearing (key #15) only - pulley/nut/washer and blade bolt/washers not included)
--	586114301	Replacement Mower, Complete

NOTE: All component dimensions given in U.S. inches
1 inch = 25.4 mm