

REPAIR PARTS MANUAL
MODEL NO. 991451
Lawn Tractor

CRAFTSMAN[®]

HOW TO USE THIS MANUAL

This manual is designed to provide the customer with a means to identify the parts on his/her tractor when ordering repair parts. The illustrations may or may not represent the actual assemblies; therefore, it is not recommended to use this manual as a guide to assemble or disassemble the tractor. Some hardware and parts are drawn larger in order to more readily identify them.

Each tractor has its own model number.

The model number for your tractor can be found on the fender under the seat.

When ordering parts, always give the following information:

- Product - Lawn Tractor
- MODEL NUMBER - **991450**
- Part Number
- Part Description

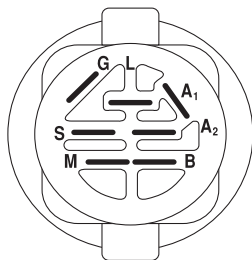
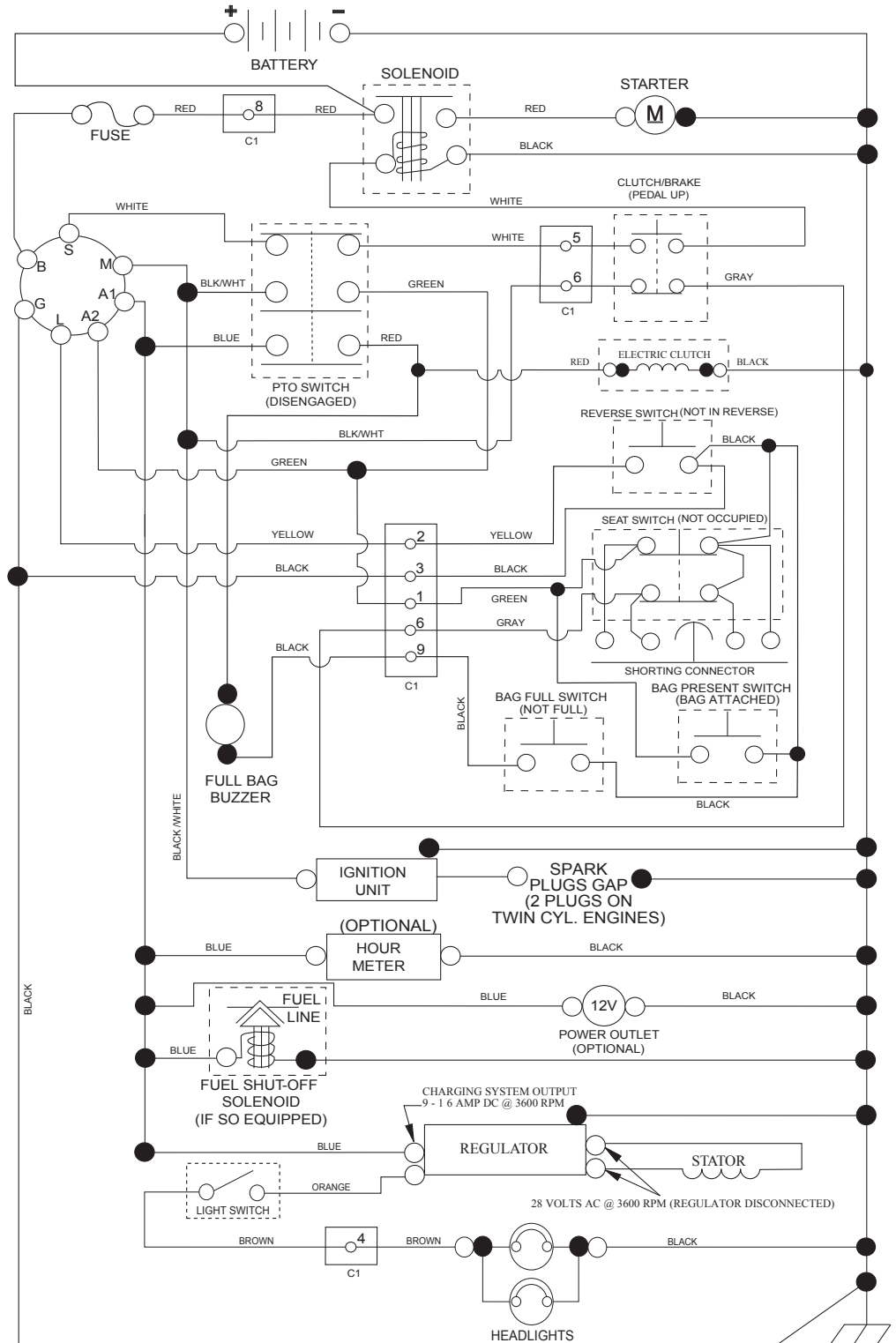
TABLE OF CONTENTS

SCHEMATIC	3
ELECTRICAL.....	4-5
CHASSIS	6-7
DRIVE.....	8-9
ENGINE.....	10-11
STEERING	12-13
MOWER DECK.....	14-15
MOWER LIFT.....	16
SEAT	17
BAGGER.....	18-19
DECALS.....	20
TRANSAXLE BREAKDOWN	22-23
ENGINE BREAKDOWN.....	24-28

TRACTOR - - MODEL NUMBER 917.991451

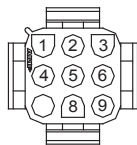
SCHEMATIC

SCH19

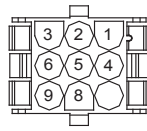


IGNITION SWITCH

POSITION	CIRCUIT	"MAKE"
OFF	M+G+A1	
RUN/OVERRIDE	B+A1	
RUN	B+A1	L+A2
START	B + S + A1	



CHASSIS HARNESS CONNECTOR (C1) (MATING SIDE)



DASH HARNESS CONNECTOR (C1) (MATING SIDE)

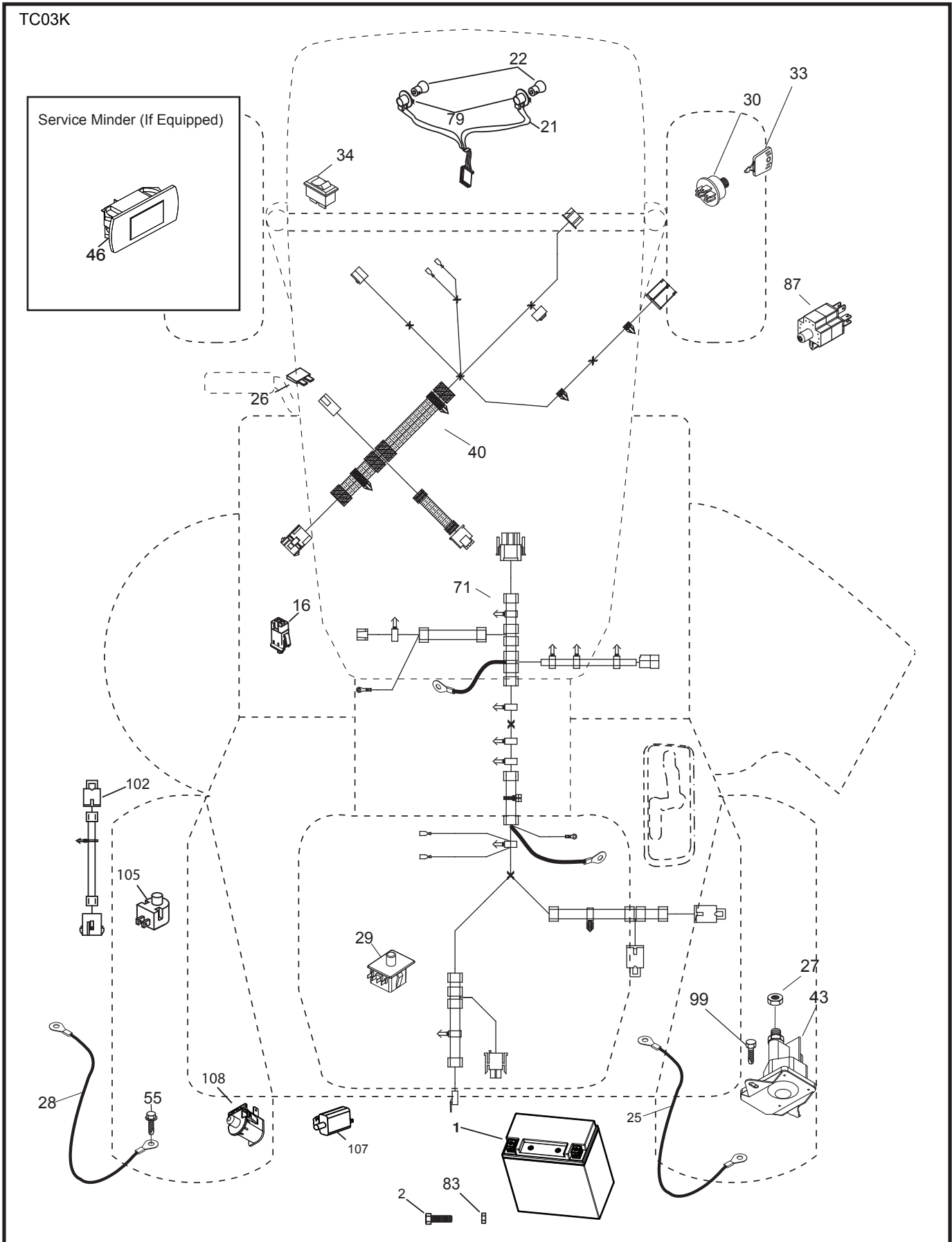
WIRING INSULATED CLIPS
NOTE: IF WIRING INSULATED CLIPS WERE REMOVED FOR SERVICING OF UNIT, THEY SHOULD BE RE-INSTALLED TO PROPERLY SECURE YOUR WIRING.

NON-REMOVABLE CONNECTIONS

REMOVABLE CONNECTIONS

TRACTOR - - MODEL NUMBER 917.991451

ELECTRICAL



TRACTOR - - MODEL NUMBER 917.991451

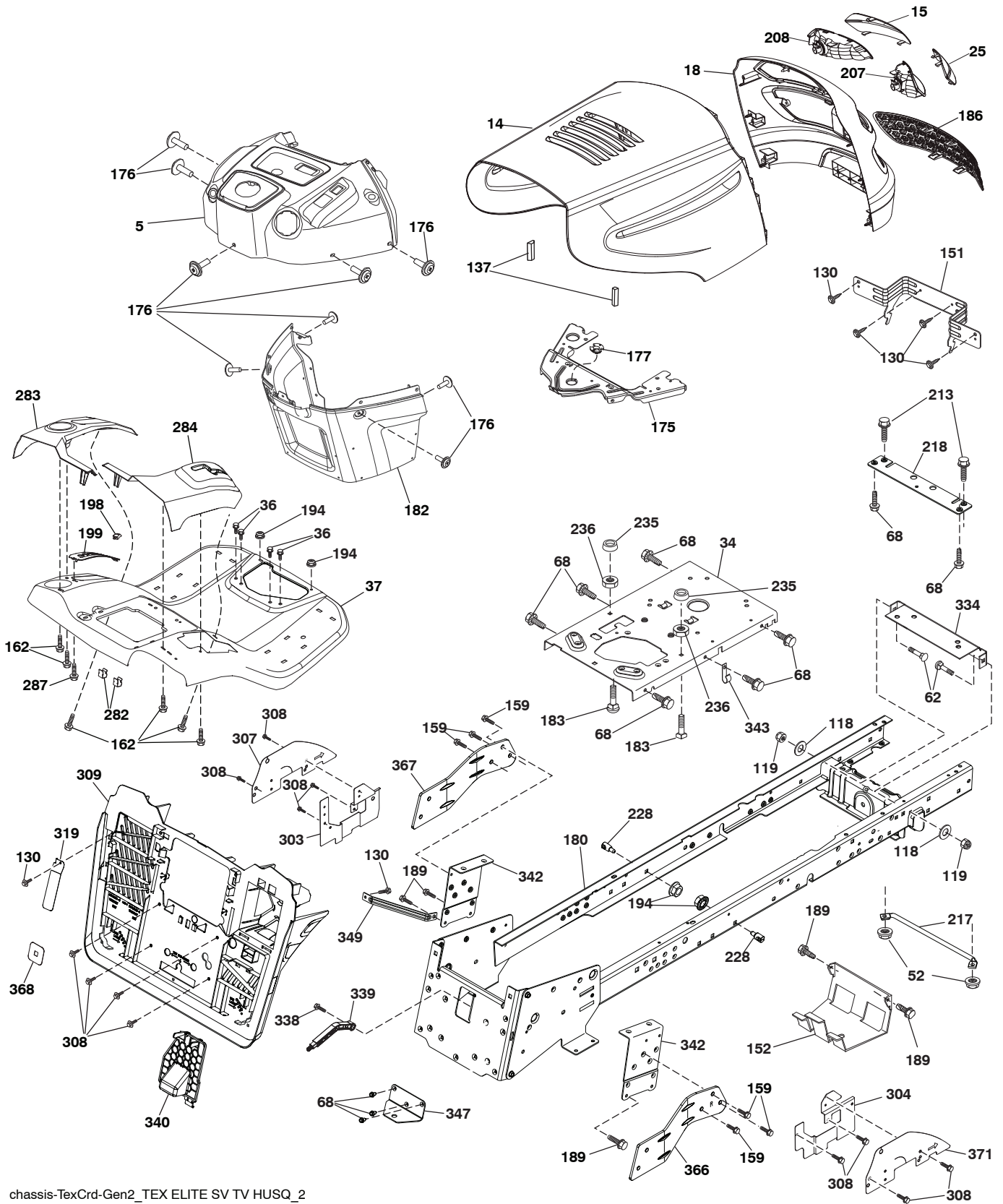
ELECTRICAL

KEY NO.	PART NO.	DESCRIPTION
1	437157	Battery
2	M743506012	Screw Hex Hd Cap M6 x 1.12mm
16	176138	Switch Interlock
21	183759	Harness Asm Light w/4152J
22	4152J	Bulb Light #1156
25	441382	Cable Battery 8 AWG 20"-Red
26	175158	Fuse
27	73510400	Nut Keps Hex 1/4-20 unc
28	441383	Cable Ground 8 AWG 20"-Black
29	192749	Switch Seat
30	193350	Switch Ignition
33	411934	Key/Chain
34	110712X	Switch Light
40	587268901	Harness Ignition Dash/Lift
43	192507	Solenoid
50	174651	Switch PTO
55	17060512	Screw 5/16-18 x 3/4
71	440820	Harness Chassis/Lift Ign.
79	175242	Socket Asm.
83	436774	Nut Square M6 x 1 x 8.5 x 11mm
99	17000512	Screw 5/16-18 x 3/4
102	441262	Harness Pigtail
105	407568	Switch Reverse
107	180379	Switch Full Bagger Indicator
108	421062	Switch Snapmount

NOTE: All component dimensions given in U.S. inches
1 inch = 25.4 mm

TRACTOR - - MODEL NUMBER 917.991451

CHASSIS ASSEMBLY



chassis-TeXCrd-Gen2_TEX ELITE SV TV HUSQ_2

TRACTOR - - MODEL NUMBER 917.991451

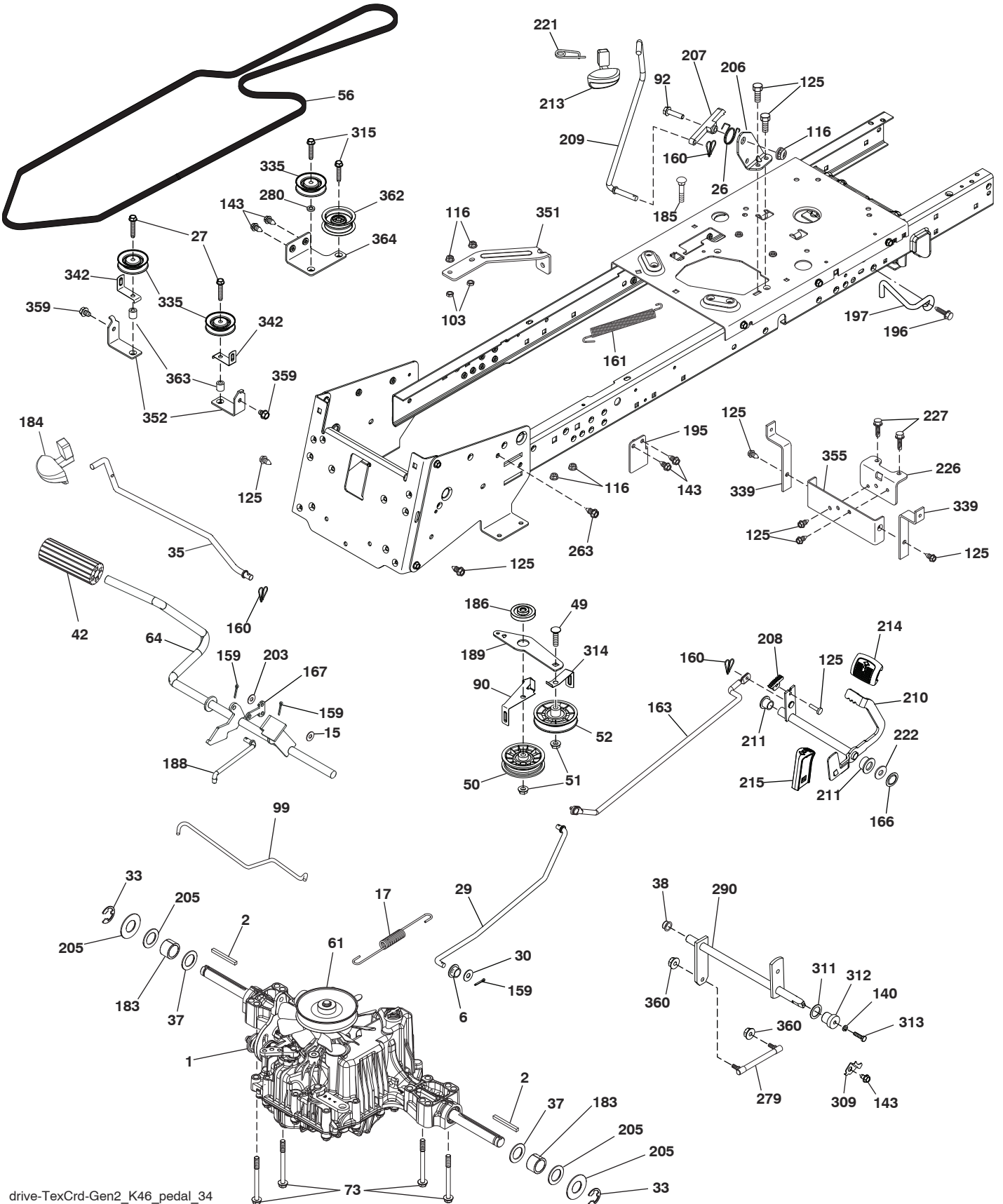
CHASSIS ASSEMBLY

KEY NO.	PART NO.	DESCRIPTION	KEY NO.	PART NO.	DESCRIPTION
5	197785X428	Dash	213	74760512	Bolt 5/16-18 x 3/4
14	585738305	Hood	217	409167	Rod Pivot Hood
15	183834X599	Lens Grille LH	218	196395	X-Piece Hood Stop
18	188455X615	Grille	228	195161	Stud Fastener
25	183835X599	Lens Grille RH	235	406129	Spacer Fender
34	580910901	Plate Engine	236	73930500	Nut Lock 5/16-18 unc
36	17060512	Screw 5/16-18 x 3/4	282	414110	Clip Retainer
37	436953X615	Fender	283	444201X428	Console Deck Lift
52	73680500	Nut Crown Lock 5/16	284	444083X428	Console Shift RH
62	72110608	Bolt 3/8-16 x 1 Gr. 5	287	17600406	Screw Hex Washhead 1/4-20 x 3/8
68	17490508	Screw Thdrol. 5/16-18 x 1/2	303	587493102	Shield Lower LH
118	19131316	Washer 13/32 x 13/16 x 16 Ga.	304	587493302	Shield Lower RH
119	73680600	Nut 3/8-16 unc	307	587527401	Shield Upper RH
130	416358	Screw #10 x 0.750 BOS Thread	308	171877	Bolt 5/16-18 unc x 3/4
137	184921	Bumper Hood	309	581328911	Backplate Bagger
151	407807	Bracket Pivot Hood	319	581313906	Lever Bagger
152	199535	Shield Browning	334	442537	Engine Plate
159	17000612	Screw Hexwsh Thdr 3/8-16 x 3/4	338	436640	Bolt Shoulder
162	142432	Screw Hex Wsh. Hi-Lo 1/4 x 1/2 unc	339	436641	Lever Bagger Full
175	193243	Crossmember	340	581329001	Door Battery
176	400776	Screw 10-24 x 5/8	342	435938	Support Fender
177	195228	Bushing Steering	343	440749	Clip
180	583902701	Chassis	347	442887	Hitch
182	193057	Dash Lower	349	436606	Bracket, Support
183	74520520	Bolt 5/16-18 x 1-1/4	366	581314602	Bracket RH Front Bagger
186	183829X428	Insert Grille	367	581314502	Bracket LH Front Bagger
189	17000512	Screw 5/16-18 x 3/4	368	581424801	Full Lever Bagger
194	73900500	Nut Lock Hex Flange 5/16-18	371	587494501	Shield Upper CRD/SRD ISO
198	197300X667	Indicator Deck Lift			
199	418739	Plate Deck Lift			
207	183833	Bezel Grille RH			
208	183832	Bezel Grille LH			

NOTE: All component dimensions given in U.S. inches
1 inch = 25.4 mm

TRACTOR - - MODEL NUMBER 917.991451

GROUND DRIVE



drive-TeXCrd-Gen2_K46_pedal_34

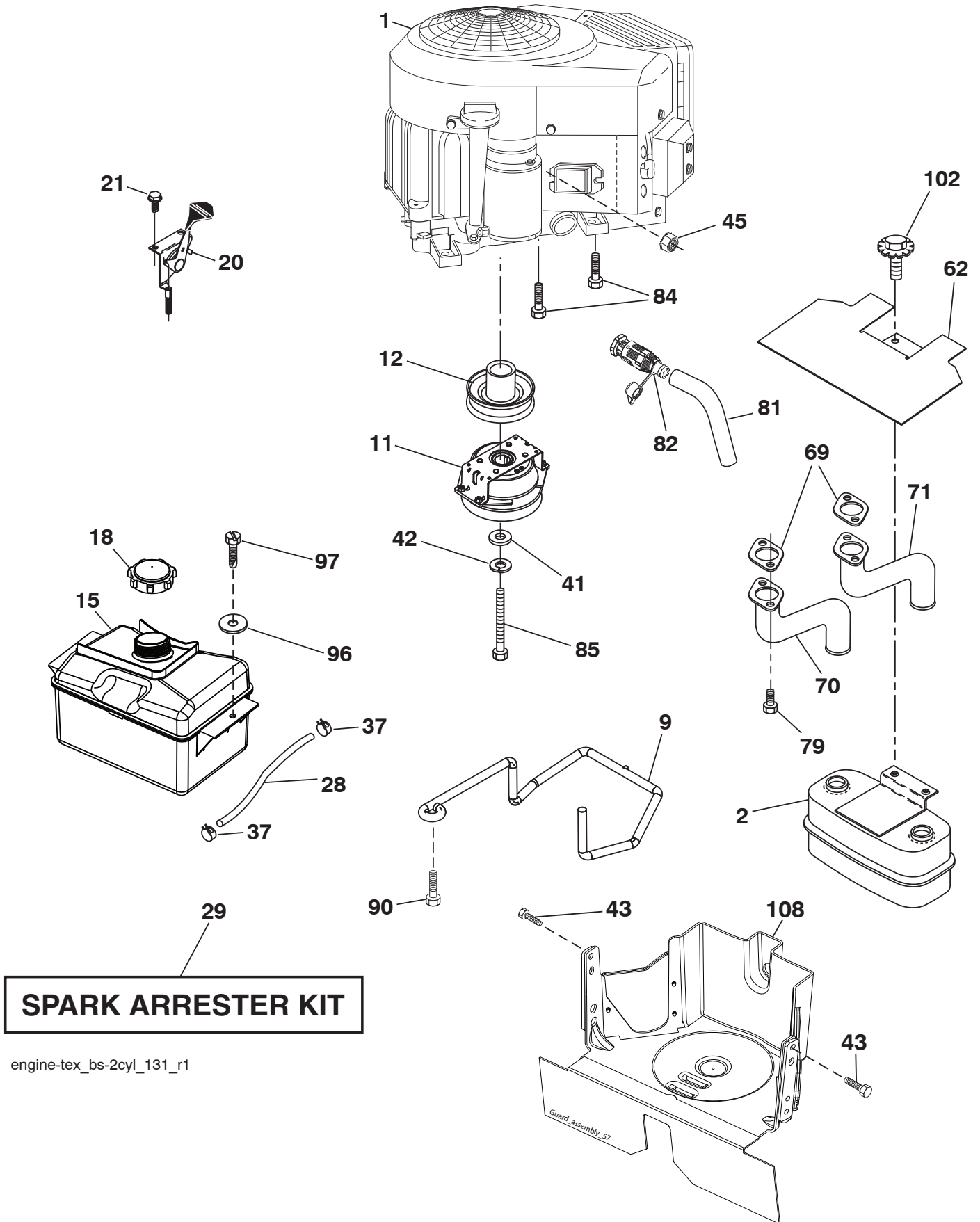
TRACTOR - - MODEL NUMBER 917.991451

GROUND DRIVE

KEY NO.	PART NO.	DESCRIPTION	KEY NO.	PART NO.	DESCRIPTION
1	-----	Transaxle, Tufftorq K46DC (448355) (Order parts from transaxle manufacturer.)	189	433611	Bellcrank Ground Drive
2	123583X	Key Square	195	580456901	Bracket Rod Brake
6	124208	Bushing Snap	196	17000616	Screw 3/8-16 x 1
15	19131316	Washer 13/32 x 13/16 x 16 Ga.	197	585658601	Clutch Anti-Rotation
17	436227	Spring, Brake	203	19111116	Washer 11/32 x 11/16 x 16
22	443246	Rod Shift	205	121748X	Washer 25/32 x 1-5/8 x 16 Ga.
23	140845	Knob	226	401564	Bracket Mount Torque
27	17490610	Screw Hexwsh Thd. 3/8-16 x 5/8	227	17490512	Screw Thdrol 5/16-18 x 3/4
29	442795	Rod, Brake	263	17000612	Screw Thdr 3/8-16 x 3/4
30	19131616	Washer 13/32 x 1 x 16 Ga.	279	444283	Link Shift
33	12000001	Ring E	280	19111012	Washer 11/32 x 5/8
35	197722	Rod, Brake, Park	309	165581	Plate Fstnr. Cross
37	188967	Washer Hardened	311	169845	Washer Nylon
38	169613	Nyliner Snap In	312	165614	Hub Tapered
42	8883R	Cover, Foot Pedal	313	74780416	Bolt Hex Fin 1/4-20 unc x 1 Gr. 5
49	72110614	Bolt 3/8-16 x 1 3/4	314	444713	Keeper Belt
50	194327	Pulley Idler Flat	315	17580520	Screw Thdrol 5/16-18 x 1.25
51	73900600	Lock Nut 3/8-16	328	444316	Shaft Shift Front
52	194326	Idler V-Groove	330	169593	Washer Nyliner
56	442781	V-Belt, Drive	331	443606	Hub Shift
61	445151	Pulley Transaxle	333	170868	Washer Spring Wave
64	196200	Shaft Asm. Pedal Brake Control	335	199534	Idler V Pulley Grnd. Dr.
73	74490544	Bolt Hex 5/16-18 G5	337	435937	Bracket Support Shift
90	443605	Keeper Belt Clutching	339	436867	Strap Torque
99	443947	Rod Spring Bypass	342	182682	Keeper Belt
103	73350500	Nut Hex Jam 5/16-18 unc	348	443607	Arm Clevis Rod
116	73900500	Nut Lock Hex Flange 5/16-18	350	445020	Spring Torsion
125	17000512	Screw 5/16-18 x 3/4	351	436998	Bracket Deck Sway
126	166002	Washer Srrtd. 5/16 ID x 1 x .125	352	435645	Bracket Idler
140	10040400	Washer Lock 1/4	354	17490510	Screw 5/16-18 x 5/8
141	19091210	Washer 9/32 x 3/4 x 10 Ga.	355	435669	Bracket
143	17490508	Screw Thdrol 5/16-18 x 1/2	356	444284	Link Shift Cross Shaft
159	76020412	Pin Cotter 1/8 x 3/4	359	17490528	Screw Hexwsh Thd. 5/16-18 x 1 x 1-3/4
160	169484	Retainer Clip	360	444714	Nut 5/16-24
161	105709X	Spring, Return, Clutch	362	436812	Idler Flat
165	196212	Nyliner	363	442780	Spacer
166	429164	Nut Push .625	364	443032	Bracket Idler
167	405257	Latch Brake Parking	372	587062701	Keeper Belt
174	197289	Nut Push			
175	441823	Shaft Asm Shift			
183	137057	Spacer Axle			
184	198403X428	Handle Parking Brake			
185	72110622	Bolt 3/8-16 x 2-3/4			
186	194321	Spacer Retainer			
188	582217001	Link Clutch Ground Drive, Long			

NOTE: All component dimensions given in U.S. inches
1 inch = 25.4 mm

ENGINE



TRACTOR - - MODEL NUMBER 917.991451

ENGINE

KEY NO.	PART NO.	DESCRIPTION
1	- - - -	Engine B&S Model No. 40R577-0003-H1(585766501) (See engine breakdown.)
2	149723	Muffler
9	584908001	Keeper Belt Engine
11	587241601	Clutch Ogura
12	405097	Pulley Engine
15	407551	Tank Fuel
18	430220	Cap Fuel
20	421473X428	Control Throttle/Choke
21	416358	Screw #10 x 0.750
28	137040	Line Fuel
29	137180	Kit Spark Arrester (Flat Scrn)
37	123487X	Clamp Hose Blk
41	126197X	Washer 1-1/2 x 15/32 x .250
42	10040700	Washer Lock 7/16
43	17060516	Screw 5/16-18 x 1
45	73510400	Nut Keps Hex 1/4-20 unc
62	434017	Shield Heat Muffler
69	165391	Gasket Muffler
70	581881101	Exhaust Tube LH
71	581881001	Exhaust Tube RH
79	183906	Screw Socket Head 5/16-18 x 1
81	148456	Tube Drain Oil Easy
82	428287	Valve Oil Drain
84	17060620	Screw 3/8-16 x 1-1/4
85	179953	Bolt Hex 7/16-20 x 3.75 Gr. 5
90	17000616	Screw 3/8-16 x 1
96	19091416	Washer 9/32 x 7/8 x 16 Ga.
97	17670412	Screw Hexwsh Thdrol 1/4-20 x 3/4
102	17000512	Screw 5/16-18 x 3/4
108	587179502	Cover Pulley Eng. w/SHLD

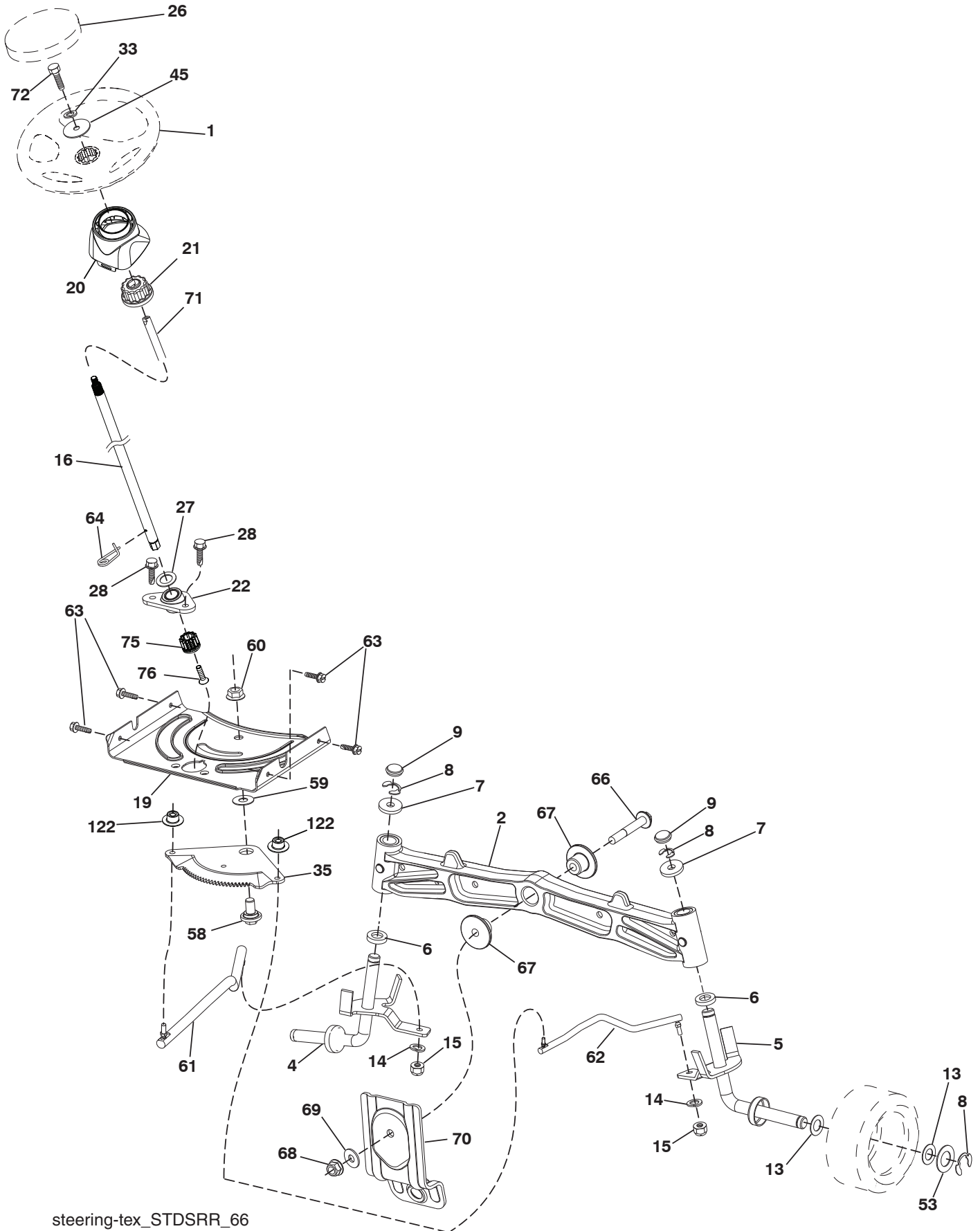
NOTE: All component dimensions given in U.S. inches
1 inch = 25.4 mm

Engine Power Rating Information

The gross power rating for individual gas engine models is labeled in accordance with SAE (Society of Automotive Engineers) code J1940 (Small Engine Power & Torque Rating Procedure), and rating performance has been obtained and corrected in accordance with SAE J1995 (Revision 2002-05). Torque values are derived at 3060 RPM; horsepower values are derived at 3600 RPM. Actual gross engine power will be lower and is affected by, among other things, ambient operating conditions and engine-to-engine variability. Given both the wide array of products on which engines are placed and the variety of environmental issues applicable to operating the equipment, the gas engine will not develop the rated gross power when used in a given piece of power equipment (actual "on-site" or net power). This difference is due to a variety of factors including, but not limited to, accessories (air cleaner, exhaust, charging, cooling, carburetor, fuel pump, etc.), application limitations, ambient operating conditions (temperature, humidity, altitude), and engine-to-engine variability. Due to manufacturing and capacity limitations, Briggs & Stratton may substitute an engine of higher rated power for this Series engine.

TRACTOR - - MODEL NUMBER 917.991451

STEERING ASSEMBLY



steering-tex_STDSRR_66

TRACTOR - - MODEL NUMBER 917.991451

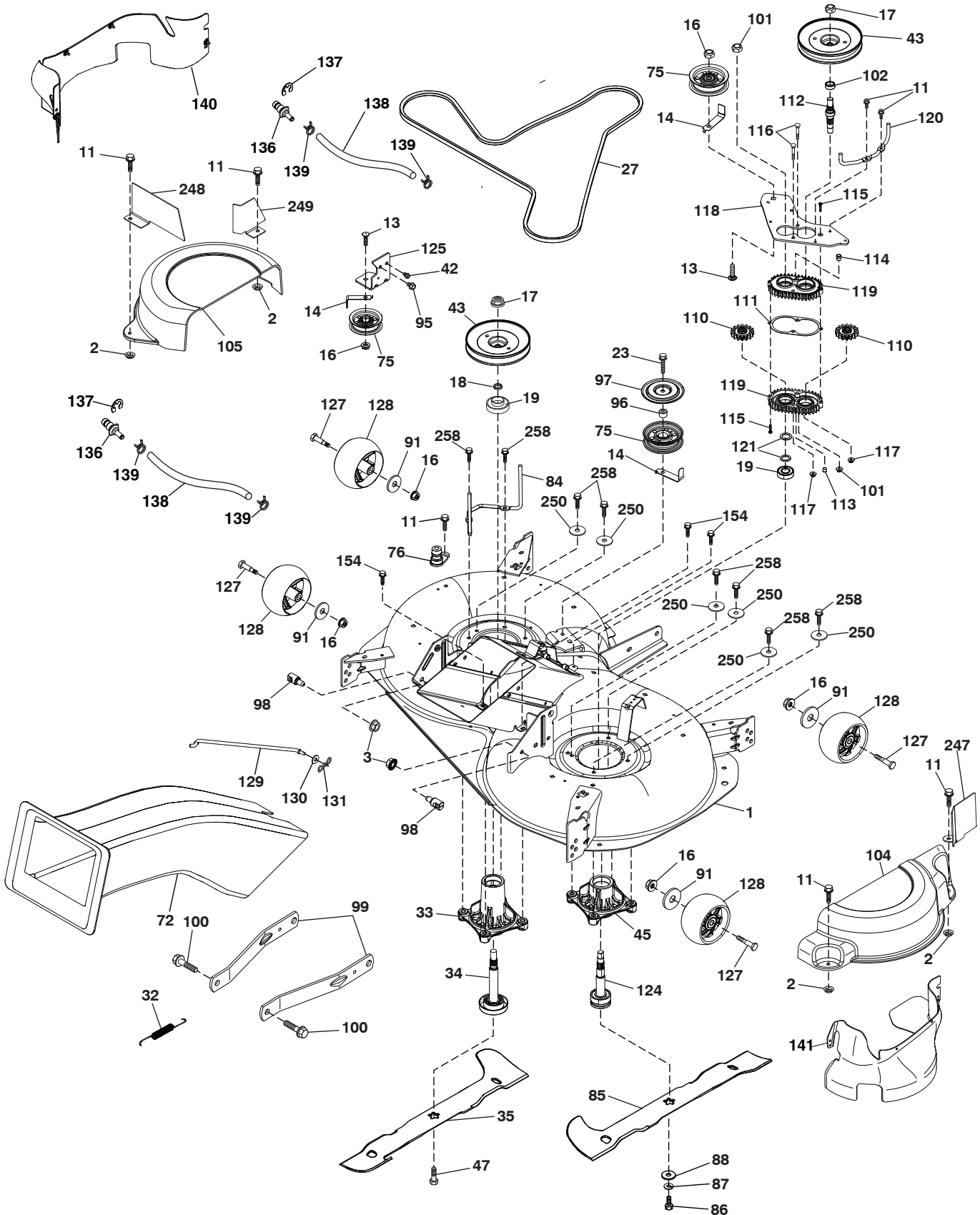
STEERING ASSEMBLY

KEY NO.	PART NO.	DESCRIPTION
1	414851X428	Wheel, Steering
2	195968	Axle Asm., Front
4	403087	Spindle Asm., LH
5	403088	Spindle Asm., RH
6	6266H	Bearing, Race Thrust Harden
7	121748X	Washer 25/32 x 1-5/8 x 16 Ga.
8	12000029	Ring, Klip #T5304-75
9	184946X667	Cap, Spindle
13	121749	Washer 25/32 x 1-1/4 x 16 Ga.
14	10040600	Washer, Lock Hvy Hlcl Spr 3/8
15	73540600	Nut, Crown Lock 3/8-24 unf
16	585869202	Shaft Steering
19	194729	Plate Steering
20	198375X428	Boot, Steering
21	186737	Adapter, Wheel Steering
22	585029802	Strg. Bearing
26	414852X428	Insert, Wheel Cap
27	19211616	Washer 21/32 x 1 x 16 Ga.
28	17000612	Screw 3/8-16 x 3/4
33	10040500	Washer Lock Hvy. HLCL SPR 5/16
35	194732	Gear, Sector Plate
45	19113812	Washer 11/32 ID x 2-3/8 OD x 12 Ga.
53	188967	Washer Hardened .793 x 1.637 x .060
58	194747	Bolt Shoulder Sector Pivot CFM
59	194748	Washer Thrust Sector Steering
60	73971000	Nut Flange Lock 5/8-11
61	194740	Draglink, LH
62	194741	Draglink, RH
63	17000512	Screw 5/16-18 x 3/4
64	199849	Retainer Clip Spring Steering
66	71020748	Bolt Hex Fghd 7/16-14 x 3 Serr
67	194737	Bushing PM Front Axle
68	73900700	Nut Lock Flange 7/16-14 Gr. 5
69	199162	Washer 1.5 x .505 x .118
70	585338801	Bracket Deck Susp. Front
71	190752	Shaft Exten.
72	428982	Bolt Fin. Hex 5/16-18 x 4 W/Patch
75	580683701	Pinion
76	580683601	Screw Head Socket
122	444962	Cap Gear Sector

NOTE: All component dimensions given in U.S. inches
1 inch = 25.4 mm

TRACTOR - - MODEL NUMBER 917.991451

MOWER DECK



TRACTOR - - MODEL NUMBER 917.991451

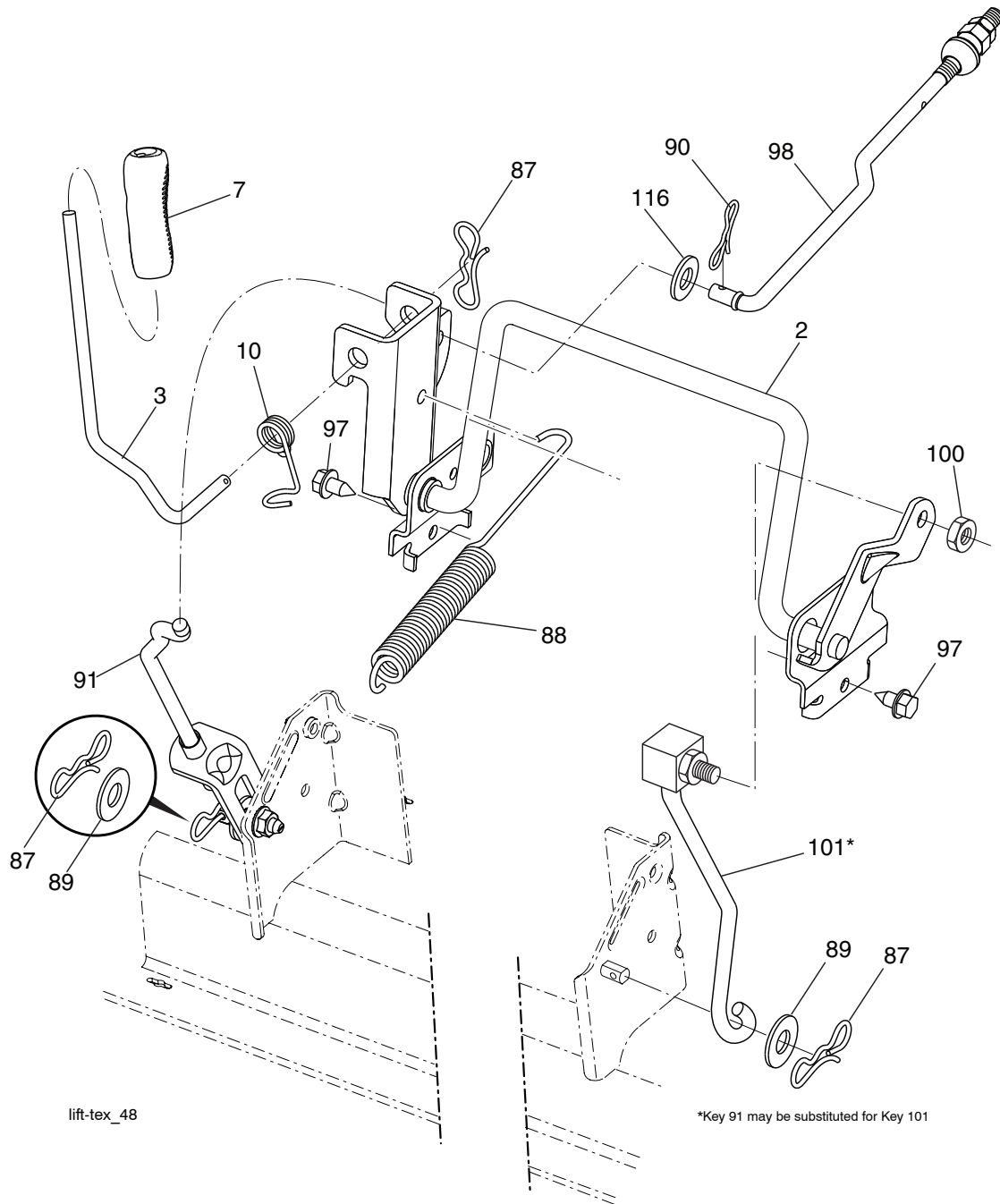
MOWER DECK

KEY NO.	PART NO.	DESCRIPTION	KEY NO.	PART NO.	DESCRIPTION
1	447738	Deck Weldment	114	588170501	Valve Relief
2	423062	Palnut	115	18031016	Screw Torx #10-24 x 1
3	73900500	Nut Lock Hex Flange 5/16-18	116	72110414	Bolt 1/4-20 x 1.75 Gr. 5
11	137729	Screw Thd Roll 1/4-20 X 5/8	117	73900400	Nut Hex Flange 1/4-20 unc
13	72110612	Bolt Carr Sh 3/8-16 X 1-1/2 Gr. 5	118	443232	Arm Clutching
14	156085	Keeper Belt Idler	119	438166	Gearcase Subasm
16	73900600	Nut Lock FIG 3/8 - 16 unc	120	443236	Keeper Belt RH
17	400234	Nut Flange Lock Top	121	436985	Washer
18	187690	Washer Spacer Mandrel	124	581650701	Shaft Asm Mndrel Short
19	585323901	Bearing Mandrel	125	440420	Bracket Idler Chassis
23	17490628	Screw Thdrol 3/8-16 X 1-3/4	127	193406	Bolt Shoulder 3/8-16 x 3-5/8 Gr. 5
27	445886	V-Belt Drive	128	174873	Wheel Gauge
32	446205	Spring Return Deck	129	443237	Rod Anti-Sway
33	580796101	Mandrel Asm. Tall	130	19131312	Washer 13/32 x 13/16 x 12 Ga.
34	580854701	Shaft Asm Mndrel Tall	131	194208	Pin Cotter 5/16 Bow Tie Lock
35	581517901	Blade Mower LH	136	439639	Washout Port Remote
42	17000512	Screw 5/16-18 x 3/4	137	12000029	Ring Klip
43	443239	Pulley Mandrel	138	447667	Washout Port Hose
45	581650801	Mandrel Asm. Short	139	440742	Hose Clamp
47	584309301	Screw	140	580369901	Guard French LH
72	581454102	Chute Upper	141	446753	Guard French RH
75	131494	Pulley Idler Flat	154	199855	Screw Thd Roll 1/4-20 x 1/2
76	439640	Washout Port	247	581263402	Guard Steel
84	443235	Keeper Belt LH Mandrel	248	581263602	LH Rear French Steel Guard
85	581518001	Blade Mower RH	249	581263502	LH Front French Steel Guard
86	181713	Bolt 3/8-24 x 1.50 Gr. 8	250	19111212	Washer 11/32 x 3/4 x 12 Ga.
87	10030600	Washer Lock Hvy 3/8	258	584953901	Bolt Hex Wsh. Hd 313-18 x 1.19
88	140296	Washer Hard Blade Mower Vented	--	587126105	Mandrel Assembly-Tall(Includes Housing (key #33), Shaft Assembly (key #34), and Bearing (key #19) Only - Pulley/Nut/Washer And Blade Bolt/Washers Not Included)
91	19132012	Washer 13/32 x 1-1/4 x 12 Ga.	--	581650501	Mandrel Assembly-Short (Includes Housing (key #45), Shaft Assembly (key #124), and Bearing (key #19) Only - Pulley/Nut/Washer And Blade Bolt/Washers Not Included)
95	17000612	Screw 3/8-16 x 3/4	--	588108601	Replacement Mower Complete
96	400271	Spacer			
97	182061	Shield Idler Mower			
98	195161	Stud Fastener			
99	195186	Arm Suspension Mower Rear			
100	196539	Bolt Shoulder			
101	73680900	Nut Crownlock 9/16 - 18 unc			
102	402511	Spacer Bearing Swing Plate			
104	581714001	Mandrel Cover RH			
105	444755	Mandrel Cover LH			
110	587934801	Gear Output			
111	436979	Gasket Gearcase			
112	443852	Shaft Gearcase Adapter			
113	438533	Plug Oil			

NOTE: All component dimensions given in U.S. inches
1 inch = 25.4 mm

TRACTOR - - MODEL NUMBER 917.991451

LIFT ASSEMBLY



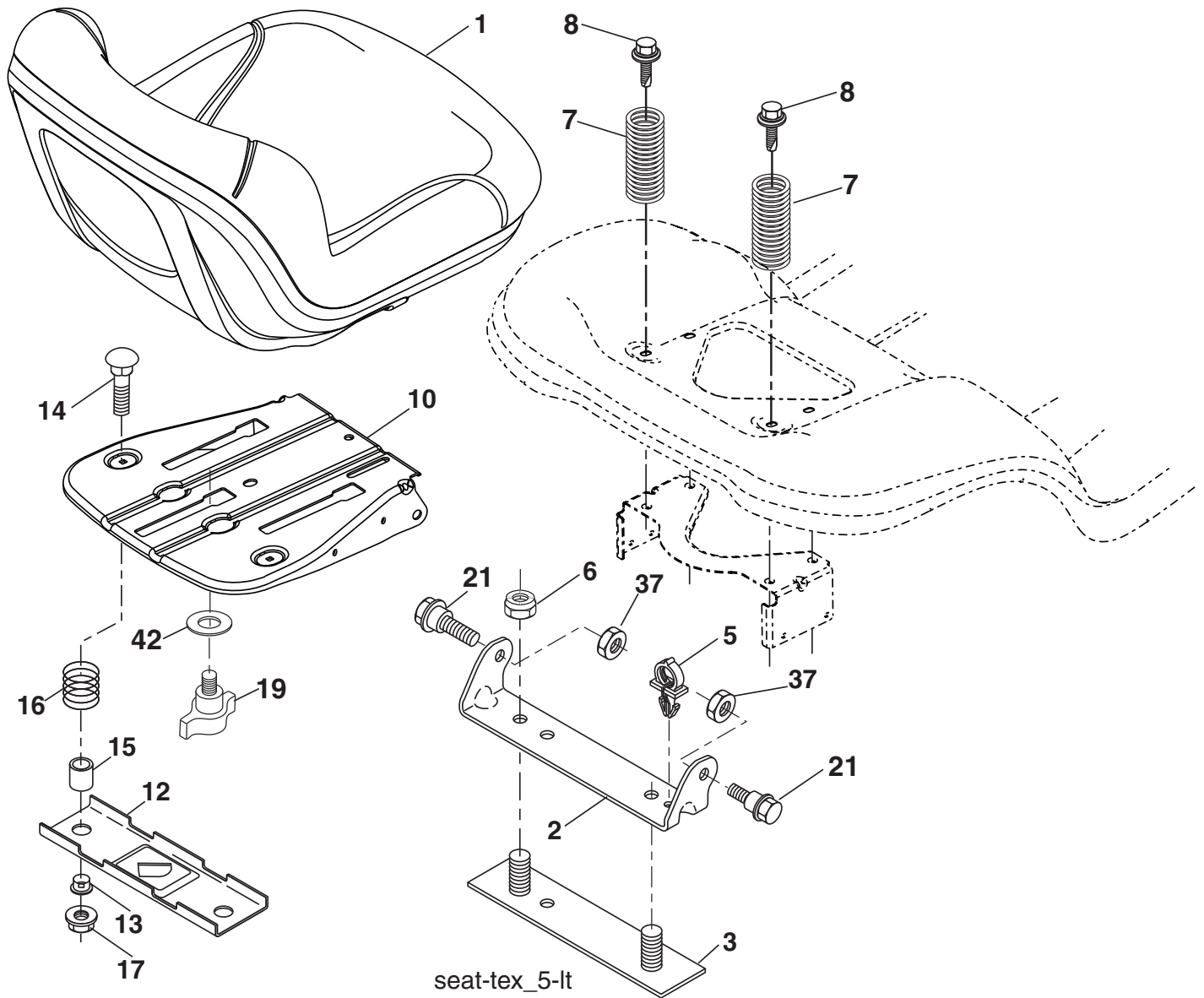
KEY NO.	PART NO.	DESCRIPTION
2	436996	Deck Lift
3	195231	Lever Asm., Lift RH
7	445060X428	Grip, Lever
10	196314	Spring Torsion
87	194209	Pin Cotter 7/16 Bow Tie Lock
88	445496	Spring Lift Assist
89	19191912	Washer 17/32 x 1-3/16 x 12 Ga.
90	194208	Pin Cotter 5/16 Bow Tie Lock

KEY NO.	PART NO.	DESCRIPTION
91	195181	Link Lift Susp Mower Rear
97	17490608	Screw 3/8-16 x 1/2
98	195270	Link Lift Susp. Front Mower
100	73930600	Nut Centerlock 3/8-16 unc
101	407003	Link Asm. Lift Fxd.
116	19151516	Washer 15/32 x 15/16 x 16 Ga.

NOTE: All component dimensions given in U.S. inches
1 inch = 25.4 mm

TRACTOR - - MODEL NUMBER 917.991451

SEAT ASSEMBLY



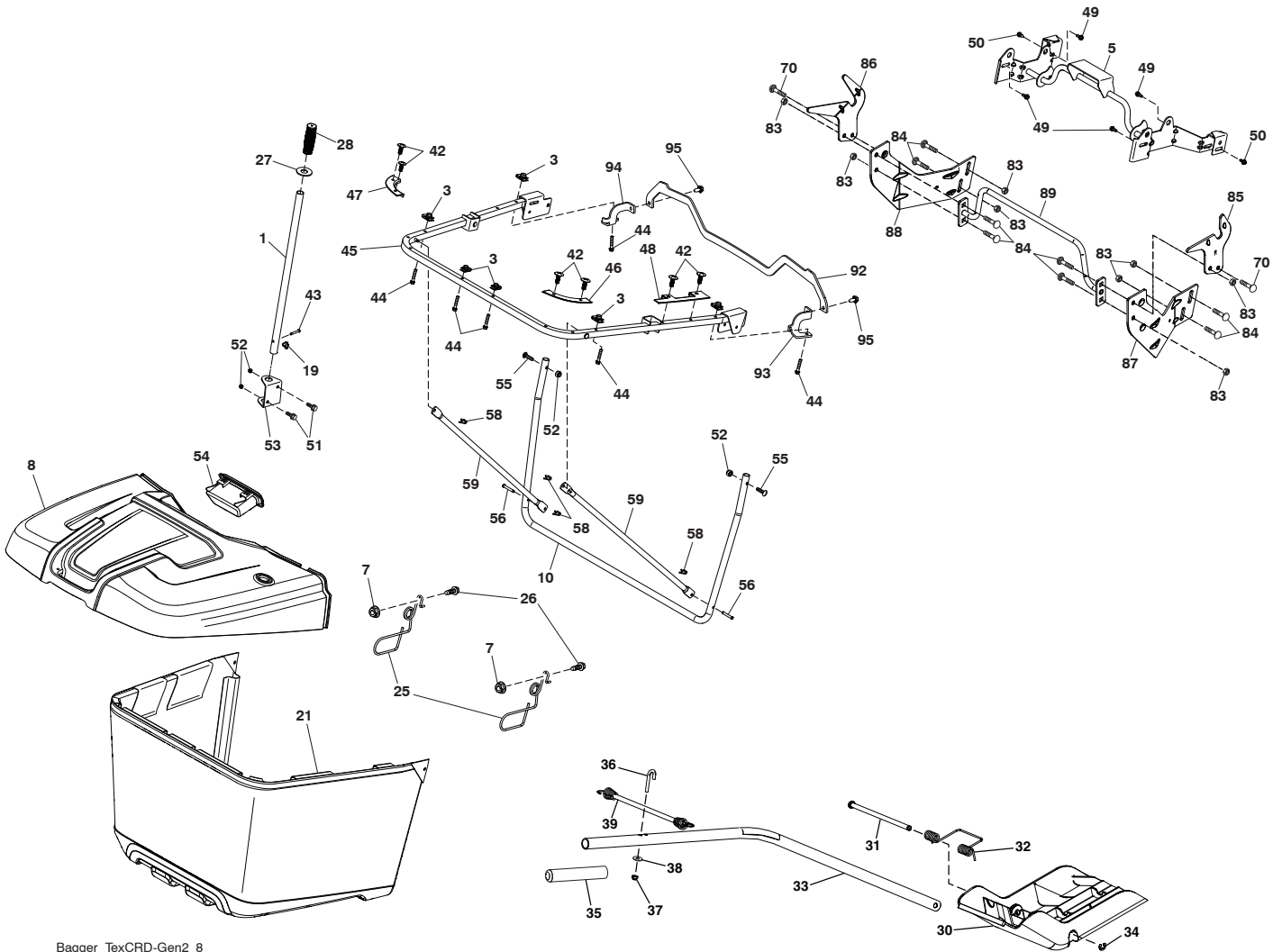
KEY NO.	PART NO.	DESCRIPTION
1	586507601	Seat
2	180166	Bracket Pivot Fender
3	140675	Strap Asm. Fender
6	73800600	Nut, Lock w/Ins. 3/8-16 unc
7	587613301	Spring, Seat Cprsn
8	171877	Bolt 5/16-18 unc x 3/4 w/Sems
10	441805	Pan, Seat
12	199370	Bracket Mount
13	121248X	Bushing Snap
14	72050412	Bolt 1/4-20 x 1-1/2
15	134300	Spacer Split

KEY NO.	PART NO.	DESCRIPTION
16	123740X	Spring
17	123976X	Nut Lock 1/4 LGE FLG Gr. 5
19	199372	Knob Seat
21	587907801	Bolt, Shoulder 5/16-18 x 5/8
37	73800500	Nut, Lock 5/16-18 unc
42	199371	Washer Cup

NOTE: All component dimensions give in U.S. inches
1 inch = 25.4 mm

TRACTOR - - MODEL NUMBER 917.991451

BAGGER



Bagger_TexCRD-Gen2_8

TRACTOR - - MODEL NUMBER 917.991451

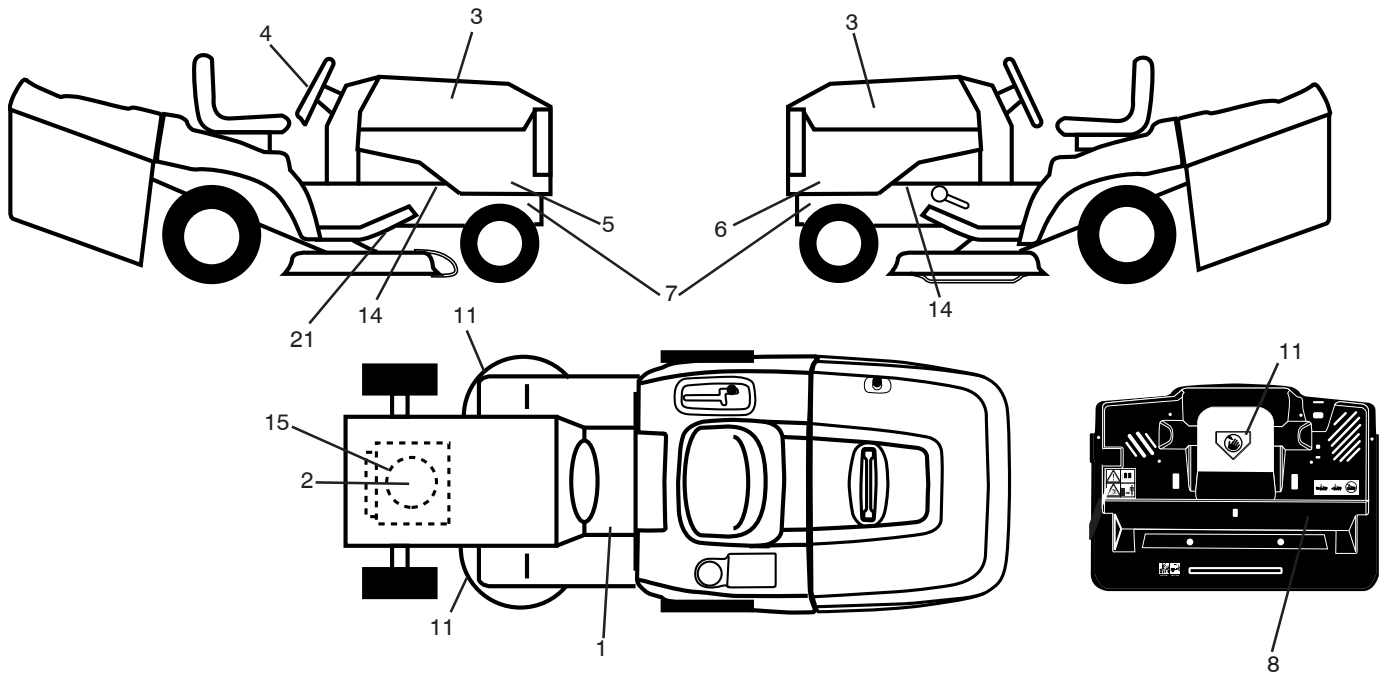
BAGGER

KEY NO.	PART NO.	DESCRIPTION	KEY NO.	PART NO.	DESCRIPTION
1	428610	Tube Handle Bagger	49	171873	Bolt Shoulder 5/16-18 TT
3	174814	Nut Push	50	171877	Bolt 5/16-18 unc x 3/4 W/SEMS
5	443762	Frame Asm Top Bagger	51	72110506	Bolt RDHDSQNK 5/16-18 unc x 3/4
7	73900400	Nut Hex Flange 1/4-20 unc	52	73800500	Nut Lock HX W/INS 5/16-18 unc
8	444082	Cover Bagger	53	444195	Bracket Dump Handle
10	443755	Frame Front	54	444078X428	Bagger TOP Front Handle
19	194208	Cotter Pin 5/16 Bow Tie	55	72140512	Bolt Rdhd Sq 5/16-18 unc x 1-1/2
21	581337102	Bag Asm	56	420306	Pin Clevis .1830DX1.26 long
25	445528	Latch Bagger	58	85179	Clip Retainer PM
26	17490412	Screw Hexwsh Thdrol 1 14-20 x 3/4	59	444763	Bagger Spread Tube
27	445529	Grommet Rubber	70	17000612	Bolt 3/8-16X3/4
28	165787	Grip Handle Black	83	73800600	Nut Lock Hex w/Ins 3/8-16
30	437452	Plug	84	72110608	Bolt RDHD SQNK 3/8-16 x 1 Gr. 5
31	435861	Pin Hinge	85	581314402	Bracket RH Pivot
32	437454	Spring Double Torsion	86	581314302	Bracket LH Pivot
33	438451	Shaft Mulch Plug	87	581314802	Bracket RH
34	437988	E-Ring 5/16	88	581314702	Bracket LH
35	439139	Grip Mulch Plug	89	581315104	Weldment Offset Strut
36	439098	Bolt J	92	586052302	Bracket Top Support
37	69180	Nut Lock #10-24 unc	93	586052402	Bracket Support RH
38	19070818	Washer 7/32 x 1/2	94	586052502	Bracket Support LH
39	445794	Bungee	95	817000512	Screw 5/16-18 x 3/4
42	440428	Christmas Tree Clip			
43	126875X	Clevis Pin			
44	199687	Bolt 1/4-20 1.50			
45	443754	Upper U Frame Weldment			
46	445541	Bagger Corner Close-Out RH			
47	444079	Bagger Corner Close-Out LH			
48	444080	Top Bagger Side Close-Out			

NOTE: All component dimensions given in U.S. inches
1 inch = 25.4 mm

TRACTOR - - MODEL NUMBER 917.991451

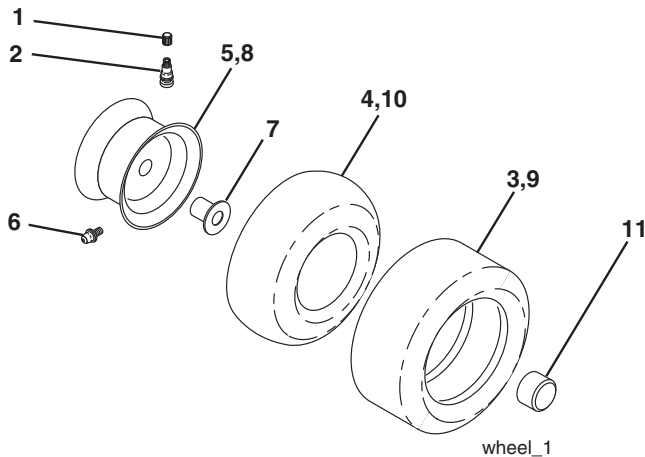
DECALS



KEY NO.	PART NO.	DESCRIPTION
1	581578301	Decal, Warning
2	588066101	Decal, Hp Engine
3	579779601	Decal, Hood
4	581894601	Decal, Steering Wheel
5	586207801	Decal, Hood Side RH
6	586207802	Decal, Hood Side LH
7	581579801	Decal, Warning Service/Fire
8	444619	Decal, Bypass Backplate
11	581579101	Decal, Mower Cut Finger Symbol
14	581579601	Decal, Chassis Hot Muffler
15	581579701	Decal, Warning Eng. Symbols

KEY NO.	PART NO.	DESCRIPTION
21	441189	Decal, Hex Belt Sch
--	419266X428	Pad Footrest RH
--	419267X428	Pad Footrest LH
--	115798240	Manual, Operator's (Euro)
--	115798450	Manual, Operator's (Scan)
--	115798320	Manual, Operator's (Ebloc)
--	115798530	Manual, Operator's (Baltic)
--	115798626	Manual Parts

WHEELS & TIRES

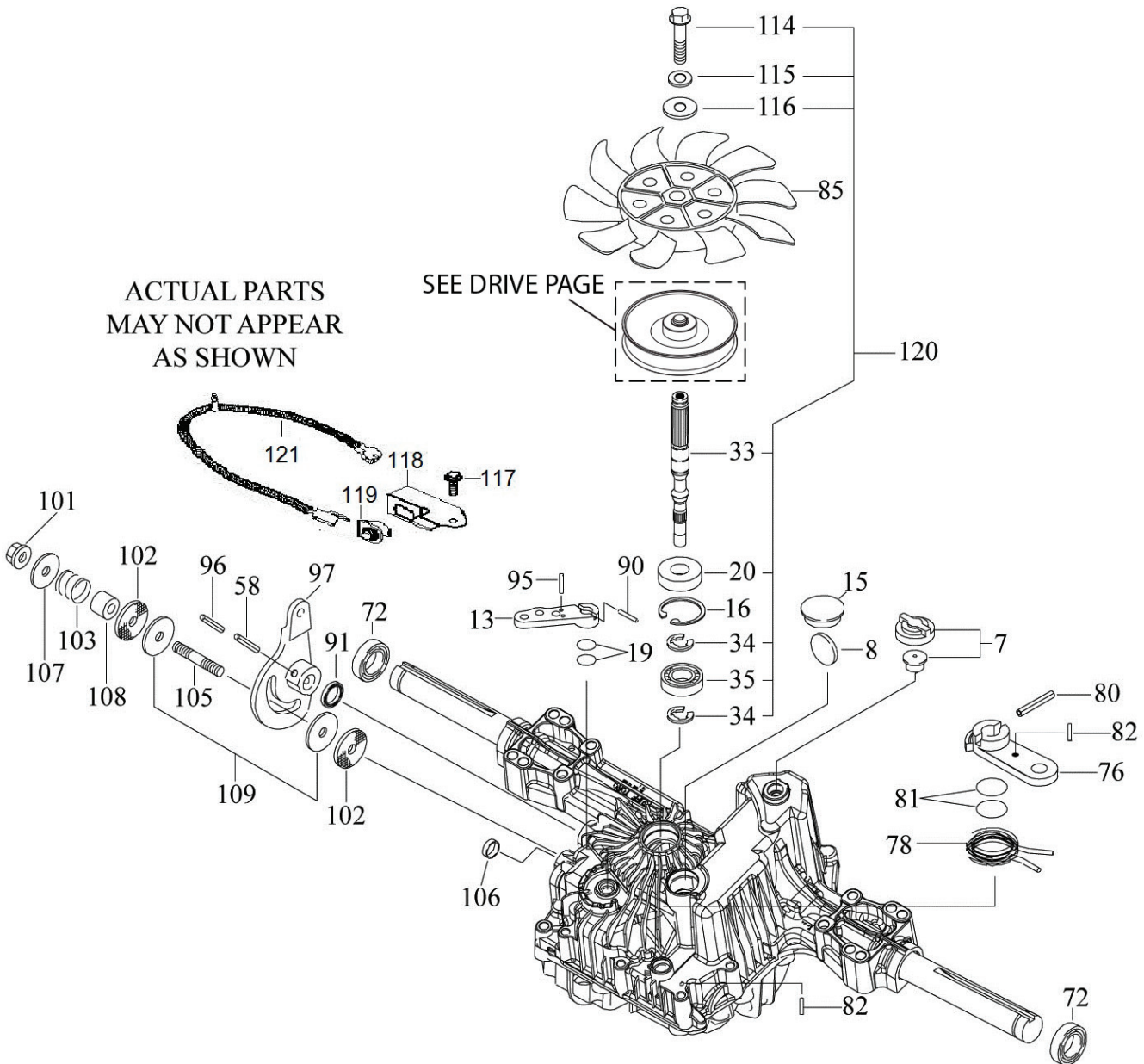


KEY NO.	PART NO.	DESCRIPTION
1	59192	Cap Valve Tire
2	65139	Stem Valve
3	106222X	Tire Front 15 x 6-6
4	59904	Tube Inner Front
5	106732X613	Rim Asm 6"
6	278H	Fitting Grease
7	9040H	Bearing Flange
8	106108X613	Rim Asm 8"
9	420531	Tire Rear 18 x 9.5-8
10	7152J	Tube Rear 9.5 x 8
11	104757X428	Cap Axle Blk 1 50 x 1 00
--	144334	Sealant, Tire (10 oz. Tube)

NOTE: All component dimensions given in U.S. inches
1 inch = 25.4 mm

SERVICE NOTES

TUFFTORQ TRANSAXLE MODEL NUMBER K46DC 7A646084421



TRACTOR - - MODEL NUMBER 917.991451
TUFFTORQ TRANSAXLE - MODEL NO. K46DC

KEY NO.	PART NO.	DESCRIPTION
--	--	K46DC Transaxle
7	588190701	Vent Valve
8	414396	Magnet
12	588190801	Bypass Shaft B
13	414398	Bypass Lever
15	588190901	Sealing Cap 30
16	414400	Snap Ring C 35
19	414401	O-Ring 1A P10a
20	414402	Seal Tc 153507
33	588191001	Pump Shaft
34	588191101	E-Ring 12
35	588191301	Bearing 6202
58	414406	Roll Pin 6 * 40
72	414407	Seal 19 * 32 * 8
76	588208201	Brake Lever
78	414409	Brake Return Spring
80	414410	Spring Pin 5 * 32
81	414411	O-Ring 1A P12
82	414412	Spring Pin 4 * 16
85	588191601	Fan White
90	414418	Spring Pin 3.0A * 20
91	414419	Oil Seal 16 * 22 * .03
95	415850	Spring Pin 3.0A * 16
96	414420	Roll Pin 3.5 * 40
97	414421	Control Lever
101	414216	Lock Nut 10
102	414423	Washer 10 * 40 * 4
103	414424	Spring
105	414425	Stud 10*60
106	414426	Sealing Cap 18
107	414427	Washer 10 * 36 * 2.8
108	414428	Collar 10 * 22 * 17
109	414429	Friction Plate Kit
114	588191701	Bolt
115	588191801	Lock Washer
116	588191901	Washer
117	588192001	Tapping Screw 8 * 20
118	588192101	Switch Bracket
119	588192201	Switch 6440-11 Delta
120	588192301	Pump Shaft/Bearing Kit
121	441262	Pigtail Wire

NOTE: All component dimensions given in U.S. inches
1 inch = 25.4 mm

TRACTOR - - MODEL NUMBER 917.991451

BRIGGS & STRATTON ENGINE-MODEL NUMBER 40R577, TYPE NUMBER 0003-H1

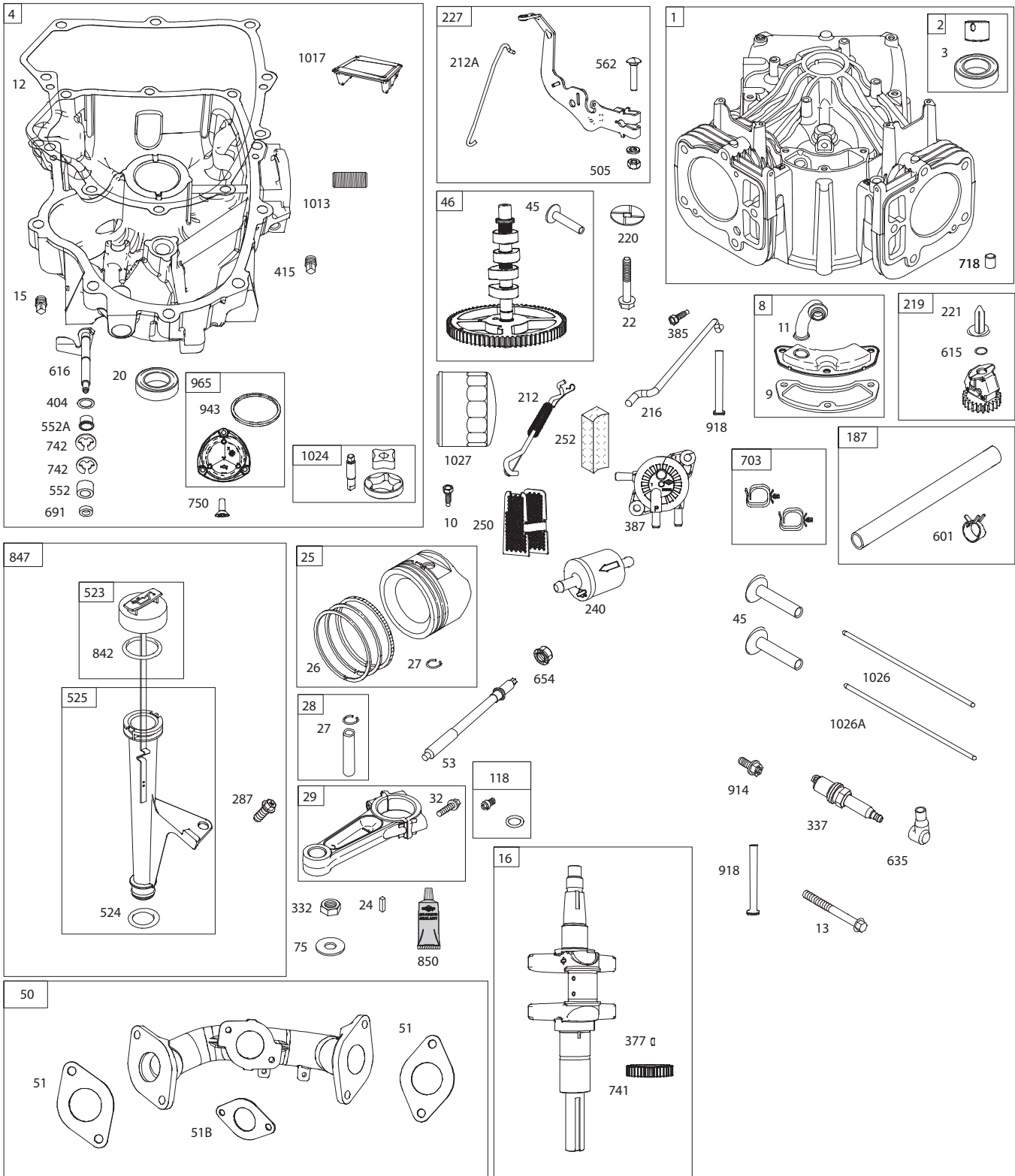
48 SHORT BLOCK

1036 EMISSIONS LABEL

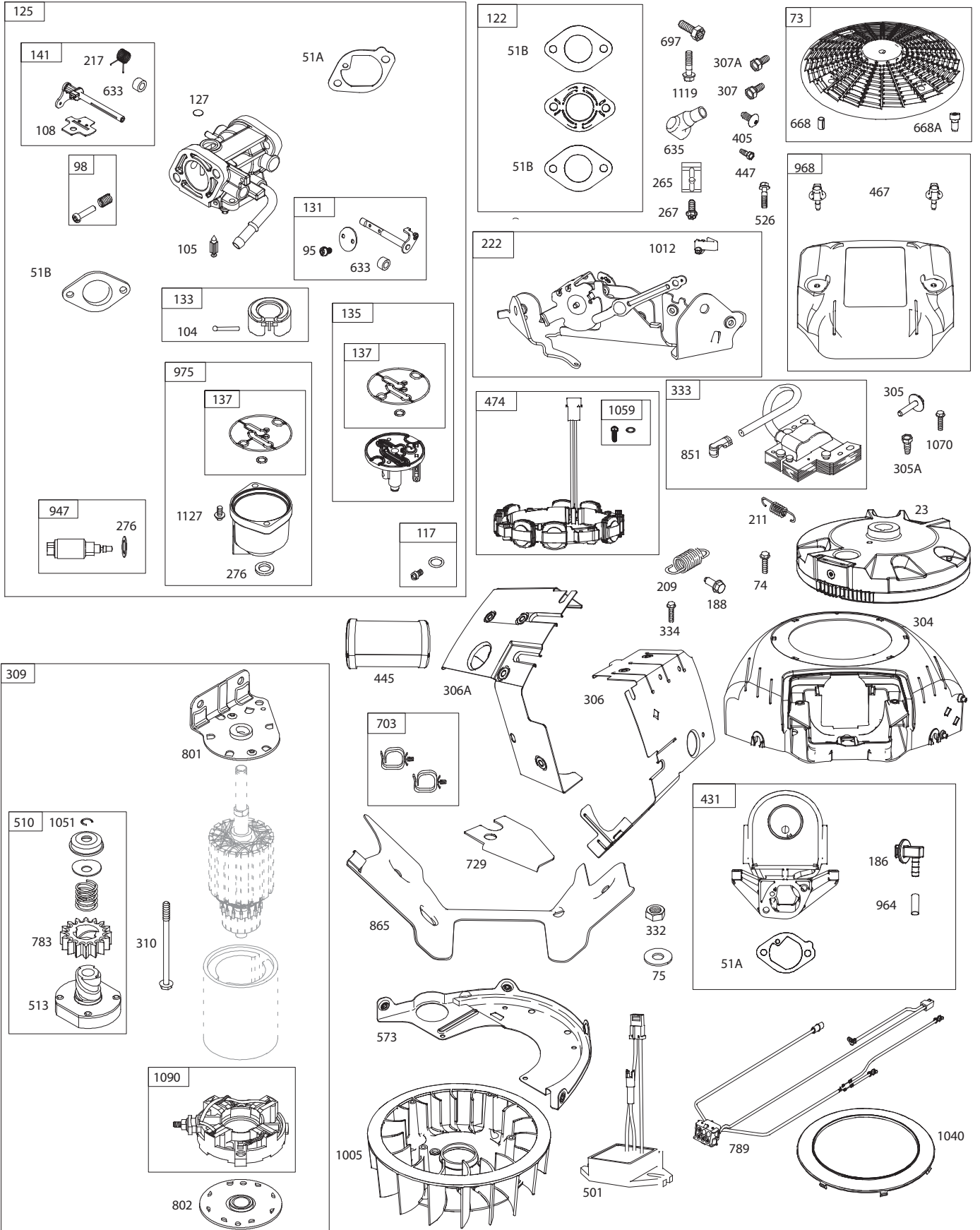
1058 OPERATOR'S MANUAL

1329 REPLACEMENT ENGINE

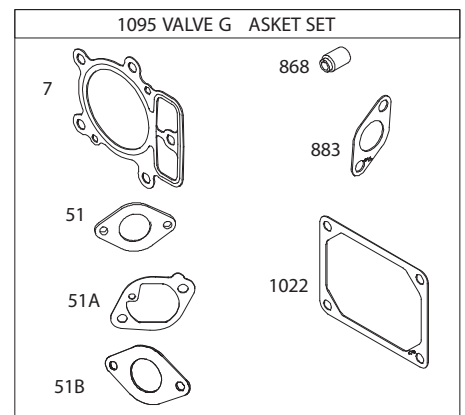
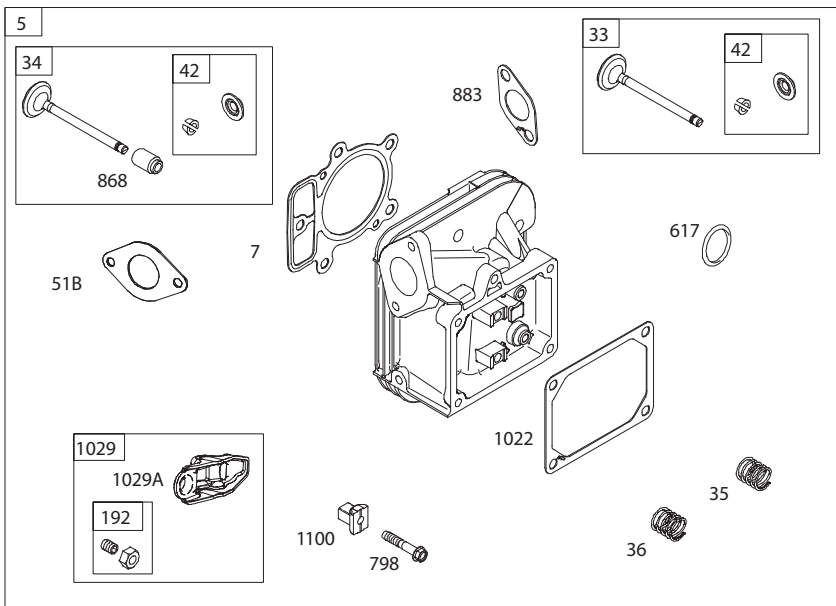
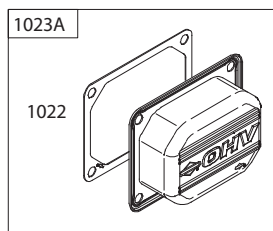
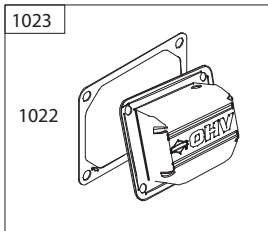
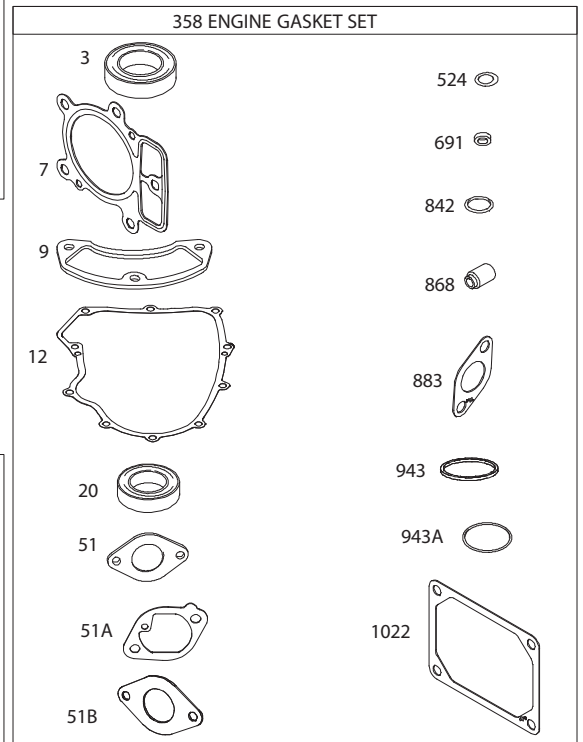
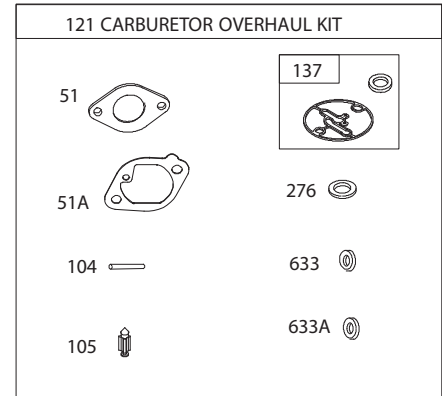
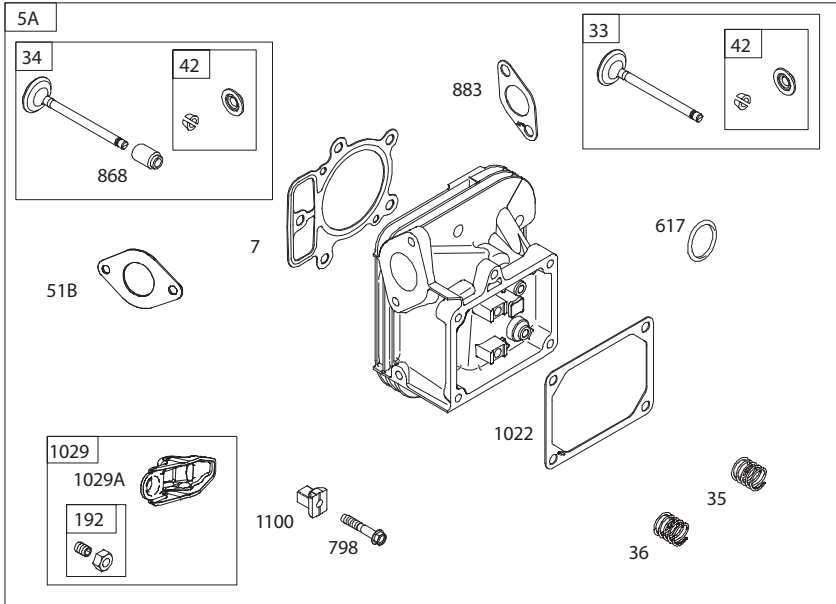
1330 REPAIR MANUAL



**TRACTOR - - MODEL NUMBER 917.991451
BRIGGS & STRATTON ENGINE-MODEL NUMBER 40R577, TYPE NUMBER 0003-H1**



TRACTOR - - MODEL NUMBER 917.991451
BRIGGS & STRATTON ENGINE-MODEL NUMBER 40R577, TYPE NUMBER 0003-H1



TRACTOR - - MODEL NUMBER 917.991451
BRIGGS & STRATTON ENGINE-MODEL NUMBER 40R577, TYPE NUMBER 0003-H1

KEY NO.	PART NO.	DESCRIPTION	KEY NO.	PART NO.	DESCRIPTION
1	591694	Cylinder Assembly	127	699810	Plug-Welch
2	797673	Bushing/Seal Kit (Magneto Side)	130	699809	Valve-Throttle
3	391086s	Seal-Oil (Magneto Side)	131	699812	Kit-Throttle Shaft
4	796307	Sump-Engine	133	694914	Float-Carburetor
5	796231	Head-Cylinder (Cylinder #1)	135	591701	Tube-Fuel Transfer
5A	796232	Head-Cylinder (Cylinder #2)	137	698781	Gasket-Float Bowl
7	693997	Gasket-Cylinder Head	141	591700	Kit-Choke Shaft
8	792185	Breather Assembly	186	845141	Connector-Hose (EVAP)
9	690937	Gasket-Breather	187	791766	Line-Fuel (Cut to Required Length)
10	691108	Screw (Breather Assembly)	188	691108	Screw (Control Bracket)
11	792184	Tube-Breather	192	690083	Adjuster-Rocker Arm
12	591911	Gasket-Crankcase	209	799169	Spring-Governor (Dark Blue)
13	793988	Screw (Cylinder Head)	211	691019	Spring-Governed Idle (No Color)
15	690946	Plug-Oil Drain	212	792265	Link-Throttle
16	796237	Crankshaft	212A	695238	Link-Throttle
20	795387	Seal-Oil (PTO Side)	216	796229	Link-Choke
22	694966	Screw (Crankcase Cover/Sump)	217	799771	Spring-Choke Return
23	691053	Flywheel	219	793338	Gear-Governor
24	222698s	Key-Flywheel (Aluminum)	220	799772	Washer (Governor Gear)
25	793647	Piston Assembly (Standard)	221	841026	Cup-Governor
	793648	Piston Assembly (.020" Oversize)	222	592555	Bracket-Control
26	791787	Ring Set (Standard)	227	798856	Lever-Governor Control
	791792	Ring Set (.020" Oversize)	240	691035	Filter-Fuel
27	690975	Lock-Piston Pin	250	690957	Retainer-Breather
28	696581	Pin-Piston	252	794389	Collector-Oil
29	796209	Rod-Connecting	265	691024	Clamp-Casing
32	690976	Screw (Connecting Rod)	267	792629	Screw (Casing Clamp)
33	697576	Valve-Exhaust	276	695410	Washer-Sealing (Aluminum)
34	792200	Valve-Intake	287	697820	Screw (Dipstick Tube)
35	694865	Spring-Valve (Intake)	304	591656	Housing-Blower
36	694865	Spring-Valve (Exhaust)	305	691005	Screw (Blower Housing)
42	499586	Keeper-Valve			(1/4-20x.66)
45	690977	Tappet-Valve	305A	790690	Screw (Blower Housing) (Blower Housing to Intake Elbow)
46	790562	Camshaft			Screw (Blower Housing)
48	N/A	Short Block (Not Available At This Printing)	305B	691061	(#8-32x.87)
50	699801	Manifold-Intake	306	591666	Shield-Cylinder (Cylinder #2)
51	690949	Gasket-Intake	306A	796852	Shield-Cylinder (Cylinder #1)
51A	699800	Gasket-Intake	307	691003	Screw (Cylinder Shield)
51B	699803	Gasket-Intake	307A	691108	Screw (Cylinder Shield)
53	690951	Stud (Carburetor)			(1/4-20x.66)
54	699816	Screw (Intake Manifold)	309	497595	Motor-Starter
73	494439	Screen-Rotating	310	690323	Screw (Starter Motor)
74	698425	Screw (Rotating Screen)	332	691059	Nut (Flywheel)
75	691056	Washer (Flywheel)	333	592846	Armature-Magneto
95	690718	Screw (Throttle Valve)	334	691061	Screw (Magneto Armature)
98	699721	Kit-Idle Speed	337	792015	Plug-Spark
104	694918	Pin-Float Hinge	358	699823	Gasket Set-Engine
105	698537	Valve-Float Needle	377	690979	Key-Woodruff
108	699808	Valve-Choke	385	797409	Screw (Fuel Pump)
117	791406	Jet-Main (Standard)	387	808656	Pump-Fuel
118	699820	Jet-Main (High Altitude) (5000/9000 Feet)	404	690442	Washer (Governor Crank)
			405	697820	Screw (Back Plate)
121	699814	Kit-Carburetor Overhaul	415	794903	Plug
122	699802	Spacer-Carburetor	431	591662	Elbow-Intake
125	591678	Carburetor	445	591334	Filter-Air Cleaner Cartridge

