

REPAIR PARTS MANUAL
MODEL NO. 991471
Lawn Tractor

CRAFTSMAN[®]

HOW TO USE THIS MANUAL

This manual is designed to provide the customer with a means to identify the parts on his/her tractor when ordering repair parts. The illustrations may or may not represent the actual assemblies; therefore, it is not recommended to use this manual as a guide to assemble or disassemble the tractor. Some hardware and parts are drawn larger in order to more readily identify them.

Each tractor has its own model number.

The model number for your tractor can be found on the fender under the seat.

When ordering parts, always give the following information:

- Product - Lawn Tractor
- MODEL NUMBER - **991471**
- Part Number
- Part Description

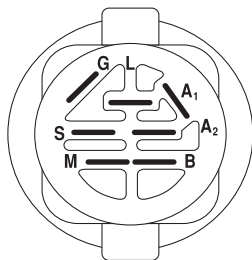
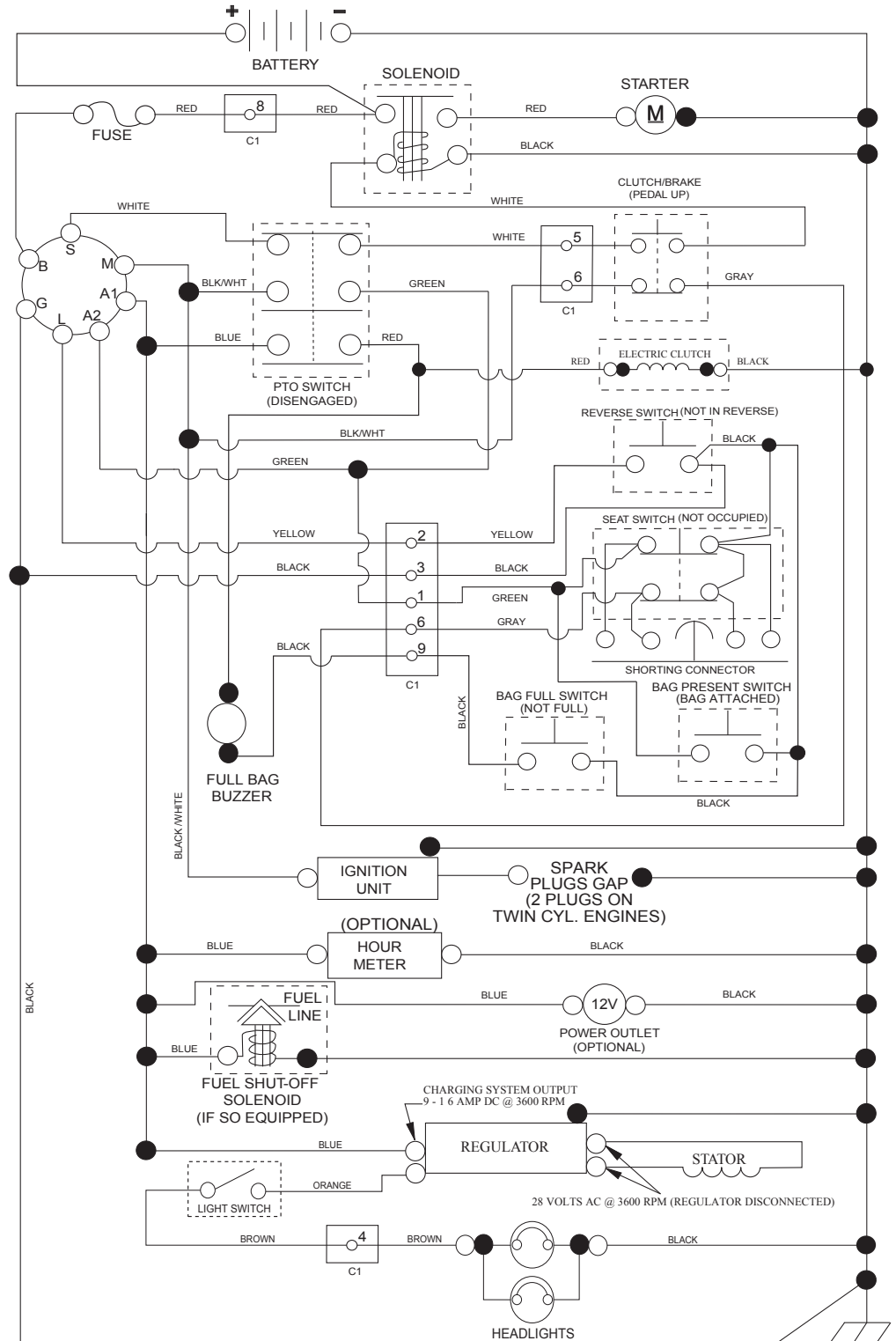
TABLE OF CONTENTS

SCHEMATIC	3
ELECTRICAL.....	4-5
CHASSIS	6-7
DRIVE.....	8-9
ENGINE.....	10-11
STEERING	12-13
MOWER DECK.....	14-15
MOWER LIFT.....	16
SEAT	17
BAGGER.....	18-19
DECALS.....	20
TRANSAXLE BREAKDOWN	22-23
ENGINE BREAKDOWN.....	24-27

TRACTOR - - MODEL NUMBER 917.991471

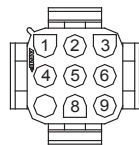
SCHEMATIC

SCH19

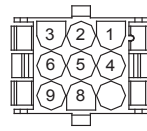


IGNITION SWITCH

POSITION	CIRCUIT	"MAKE"
OFF	M+G+A1	
RUN/OVERRIDE	B+A1	
RUN	B+A1	L+A2
START	B + S + A1	



CHASSIS HARNESS CONNECTOR (C1) (MATING SIDE)



DASH HARNESS CONNECTOR (C1) (MATING SIDE)

WIRING INSULATED CLIPS
NOTE: IF WIRING INSULATED CLIPS WERE REMOVED FOR SERVICING OF UNIT, THEY SHOULD BE RE-INSTALLED TO PROPERLY SECURE YOUR WIRING.

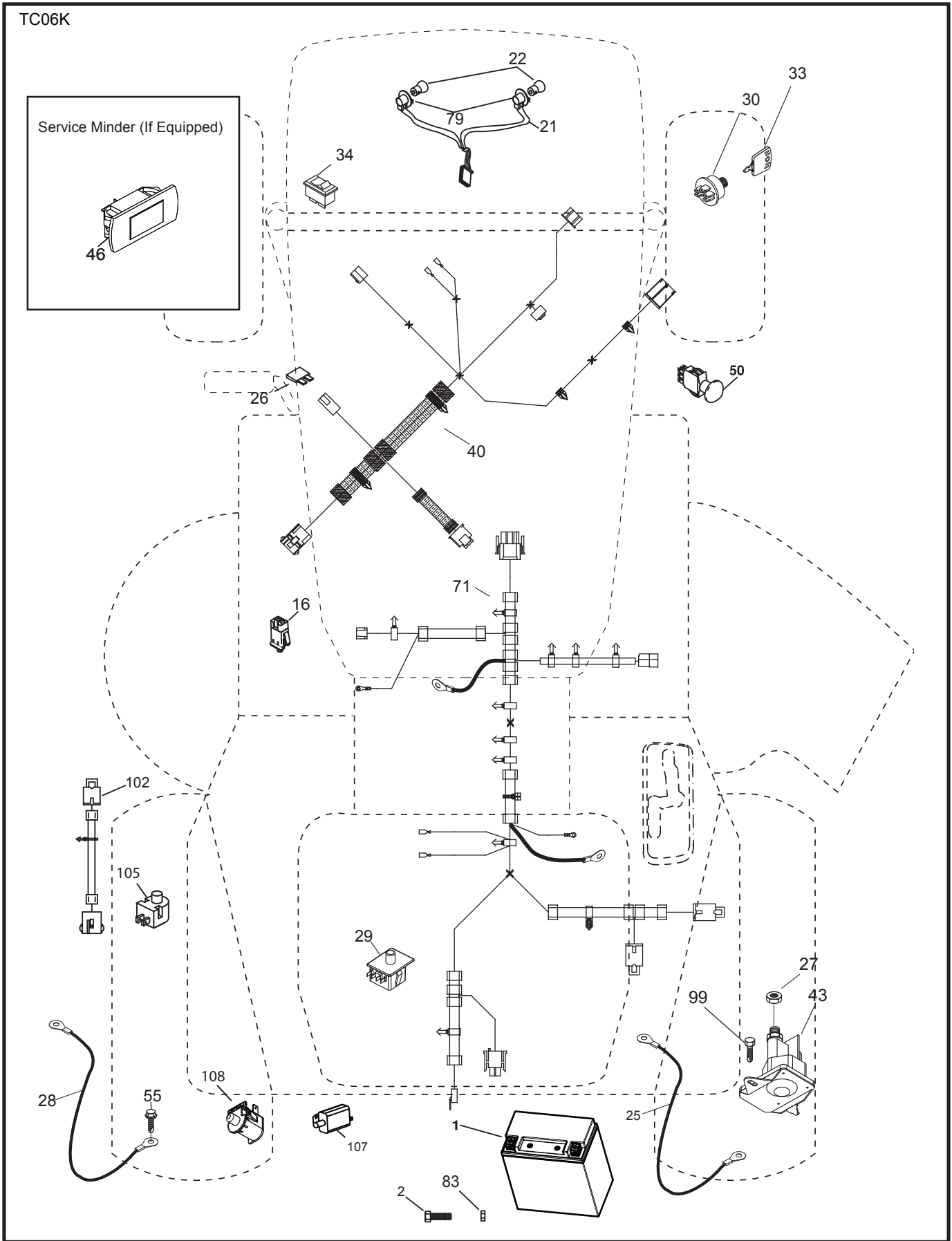
NON-REMOVABLE CONNECTIONS

REMOVABLE CONNECTIONS

TRACTOR - - MODEL NUMBER 917.991471

ELECTRICAL

TC06K



TRACTOR - - MODEL NUMBER 917.991471

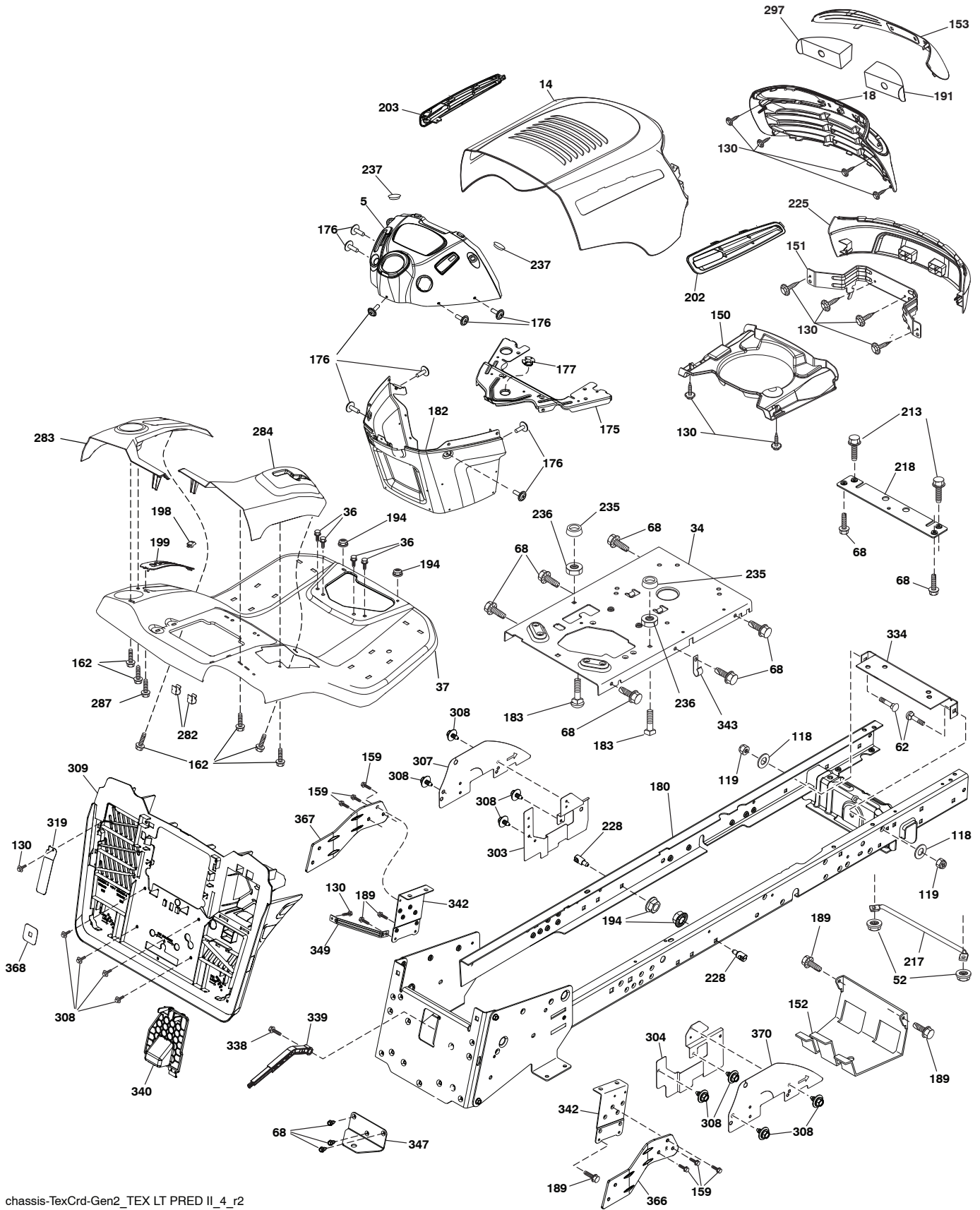
ELECTRICAL

KEY NO.	PART NO.	DESCRIPTION
1	437157	Battery
2	M743506012	Screw Hex Hd Cap M6 x 1.12mm
16	176138	Switch Interlock
21	400252	Harness Asm Light w/4152J
22	4152J	Bulb Light #1156
25	441382	Cable Battery 8 AWG 20"-Red
26	175158	Fuse
27	73510400	Nut Keps Hex 1/4-20 unc
28	441383	Cable Ground 8 AWG 20"-Black
29	192749	Switch Seat
30	193350	Switch Ignition
33	411934	Key/Chain
34	110712X	Switch Light
40	587268901	Harness Ignition Dash/Lift
43	192507	Solenoid
50	174651	Switch PTO
55	17060512	Screw 5/16-18 x 3/4
71	440820	Harness Chassis/Lift Ign.
79	175242	Socket Asm.
83	436774	Nut Square M6 x 1 x 8.5 x 11mm
99	17000512	Screw 5/16-18 x 3/4
102	441262	Harness Jumper
105	407568	Switch Reverse
107	180379	Switch Full Bagger Indicator
108	421062	Switch Snapmount

NOTE: All component dimensions given in U.S. inches
1 inch = 25.4 mm

TRACTOR - - MODEL NUMBER 917.991471

CHASSIS ASSEMBLY



chassis-TeXCrd-Gen2_TEX LT PRED II_4_r2

TRACTOR - - MODEL NUMBER 917.991471

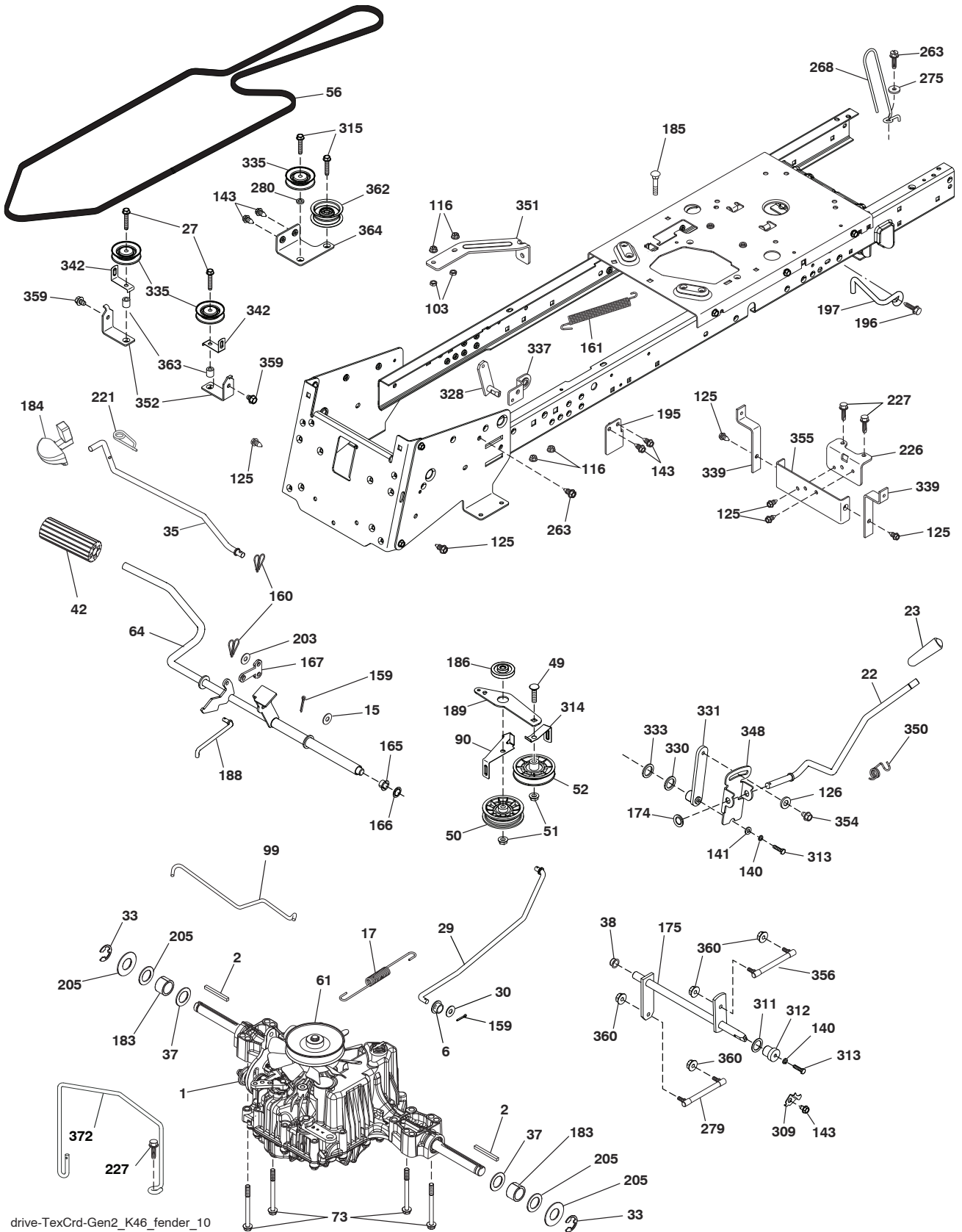
CHASSIS ASSEMBLY

KEY NO.	PART NO.	DESCRIPTION	KEY NO.	PART NO.	DESCRIPTION
5	400800X428	Dash	218	196395	X-Piece Hood Stop
14	198416X615	Hood	225	400549X615	Bumper Predator
18	580427601	Grille	228	195161	Stud Fastener
34	580910901	Plate Engine	235	406129	Spacer Fender
36	17060512	Screw 5/16-18 x 3/4	236	73930500	Nut Lock 5/16-18 unc
37	436953X615	Fender	237	403704	Plug Mount Cargo
52	73680500	Nut Crown Lock 5/16	282	414110	Clip Retainer
62	72110608	Bolt 3/8-16 x 1 Gr. 5	283	444201X428	Console Deck Lift
68	17490508	Screw Thdrol. 5/16-18 x 1/2	284	444083X428	Console Shift RH
118	19131316	Washer 13/32 x 13/16 x 16 Ga.	287	17600406	Screw Hex Washead 1/4-20 x 3/8
119	73680600	Nut 3/8-16 unc	297	401827	Insert Reflective LH
130	416358	Screw #10 x 0.750 BOS Thread	303	587493101	Shield LH
150	400267	Duct, Air	304	587493301	Shield RH
151	187568	Bracket Pivot Hood	307	587494501	Shield Upper
152	199535	Shield Browning	308	171877	Bolt 5/16-18 unc x 3/4
153	400550X599	Lens Pred Clear	309	581328911	Backplate Bagger
159	17000612	Screw Hexwsh Thdr 3/8-16 x 3/4	319	581313906	Lever Bagger
162	142432	Screw Hex Wsh. Hi-Lo 1/4 x 1/2 unc	334	442537	Engine Plate
175	199472	Crossmember	338	436640	Bolt Shoulder
176	400776	Screw 10-24 x 5/8	339	436641	Lever Bagger Full
177	195228	Bushing Steering	340	581329001	Door Battery
180	583902701	Chassis	342	435938	Support Fender
182	407176	Dash Lower	343	440749	Clip
183	74520520	Bolt 5/16-18 x 1-1/4	347	442887	Hitch Tow
189	17000512	Screw 5/16-18 x 3/4	349	436606	Bracket Support
191	416502	Insert Reflective RH	366	581314602	Bracket RH Front Bagger
194	73900500	Nut Lock Hex Flange 5/16-18	367	581314502	Bracket LH Front Bagger
198	197300X667	Indicator Deck	368	581424801	Shroud Bag Full Lever
199	418739	Plate Deck Lift	370	587527401	Shield Upper RH
202	580427401	Vent Hood RH	--	404951X428	Plug
203	580427501	Vent Hood LH			
213	74760512	Bolt 5/16-18 x 3/4			
217	409167	Rod Pivot Hood			

NOTE: All component dimensions given in U.S. inches
1 inch = 25.4 mm

TRACTOR - - MODEL NUMBER 917.991471

GROUND DRIVE



drive-TexCrd-Gen2_K46_fender_10

TRACTOR - - MODEL NUMBER 917.991471

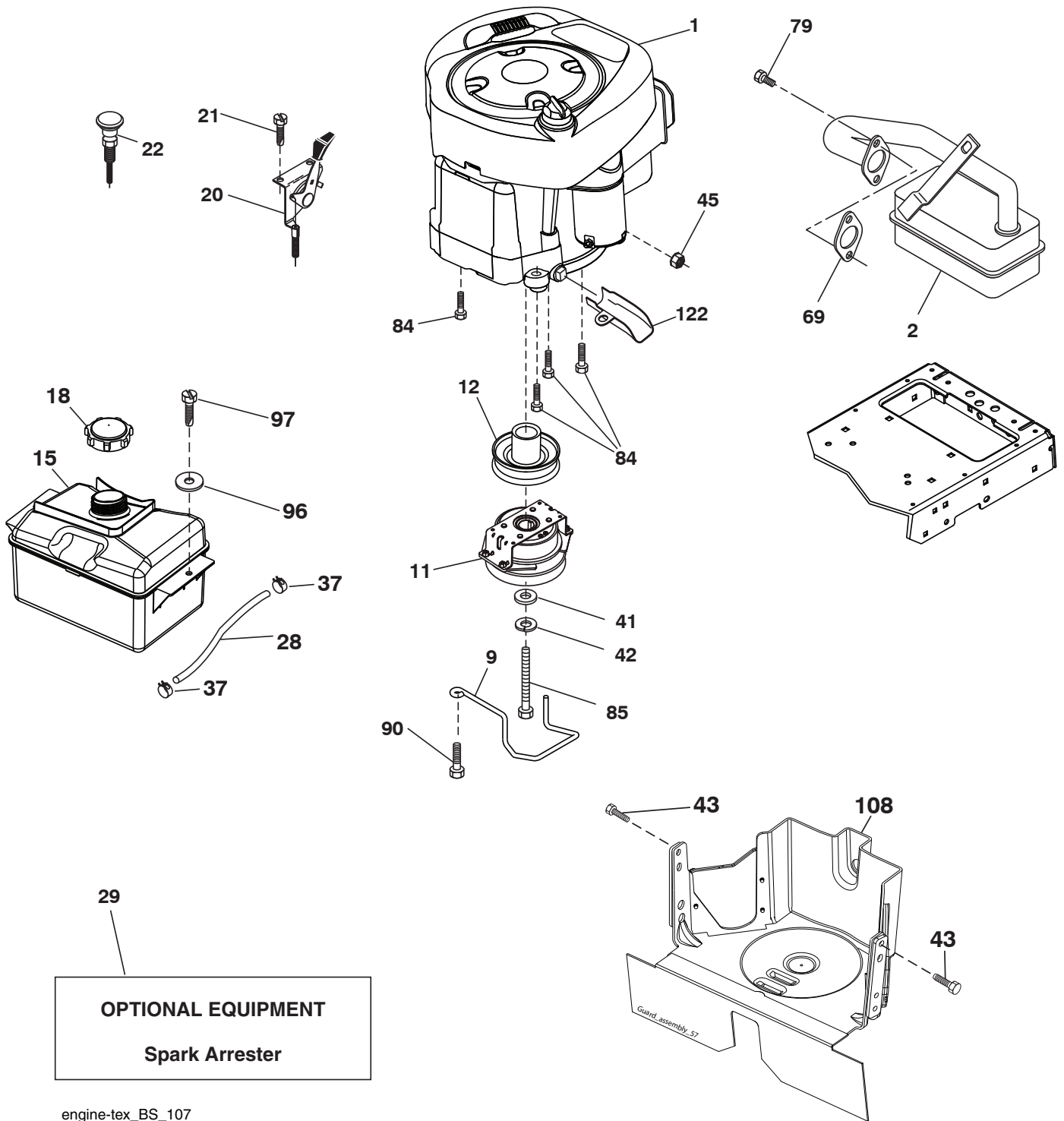
GROUND DRIVE

KEY NO.	PART NO.	DESCRIPTION	KEY NO.	PART NO.	DESCRIPTION
1	-----	Transaxle, Tufftorq K46DC (448355) (Order parts from transaxle manufacturer.)	189	433611	Bellcrank Ground Drive
2	123583X	Key Square	195	580456901	Bracket Rod Brake
6	124208X	Bushing Snap	196	17000616	Screw 3/8-16 x 1
15	19131316	Washer 13/32 x 13/16 x 16 Ga.	197	585658601	Clutch Anti-Rotation
17	436227	Spring, Brake	203	19111116	Washer 11/32 x 11/16 x 16
22	443246	Rod Shift	205	121748X	Washer 25/32 x 1-5/8 x 16 Ga.
23	140845	Knob	221	403187	Retainer Spring
27	17490528	Screw Hxwsh Thd 5/16-18 x 1-3/4	226	401564	Bracket Mount Torque
29	442795	Rod, Brake	227	17490512	Screw Thdrol 5/16-18 x 3/4
30	19131616	Washer 13/32 x 1 x 16 Ga.	263	17000612	Screw Thdr 3/8-16 x 3/4
33	12000001	Ring E	268	182402	Guard Muffler
35	401031	Rod, Brake, Park	275	19131614	Washer 13/32 x 1 x 14 Ga.
37	188967	Washer Hardened	279	444283	Link Shift
38	169613	Nyliner Snap In	280	19111012	Washer 11/32 x 5/8
42	8883R	Cover, Foot Pedal	309	165581	Plate Fstnr. Cross
49	72110614	Bolt 3/8-16 x 1 3/4	311	169845	Washer Nylon
50	194327	Pulley Idler Flat	312	165614	Hub Tapered
51	73900600	Lock Nut 3/8-16	313	74780416	Bolt Hex Fin 1/4-20 unc x 1 Gr. 5
52	194326	Idler V-Groove	314	444713	Keeper Belt
56	442781	V-Belt, Drive	315	17580520	Screw Thdrol 5/16-18 x 1.25
61	445151	Pulley Transaxle	328	444316	Shaft Shift Front
64	196200	Shaft Asm. Pedal Brake Control	330	169593	Washer Nyliner
73	74490544	Bolt Hex 5/16-18	331	443606	Hub Shift
90	443605	Keeper Belt Clutching	333	170868	Washer Spring Wave
99	443947	Rod Spring Bypass	335	199534	Idler V Pulley Grnd. Dr.
103	73350500	Nut Hex Jam 5/16-18 unc	337	435937	Bracket Support Shift
116	73900500	Nut Lock Hex Flange 5/16-18	339	436867	Strap Torque
125	17000512	Screw 5/16-18 x 3/4	342	182682	Keeper Belt
126	166002	Washer Srrtd. 5/16 ID x 1 x .125	348	443607	Arm Clevis Rod
140	10040400	Washer Lock 1/4	350	445020	Spring Torsion
141	19091210	Washer 9/32 x 3/4 x 10 Ga.	351	436998	Bracket Deck Sway
143	17490508	Screw Thdrol 5/16-18 x 1/2	352	435645	Bracket Idler
159	76020412	Pin Cotter 1/8 x 3/4	354	17490510	Screw 5/16-18 x 5/8
160	169484	Retainer Clip	355	435669	Bracket
161	105709X	Spring, Return, Clutch	356	444284	Link Shift Cross Shaft
165	196212	Nyliner	359	1749610	Screw Hexwsh Thd. 3/8-16 x 5/8
166	429164	Nut Push .625	360	444714	Nut 5/16-24
167	405257	Latch Brake Parking	362	436812	Idler Flat
174	197289	Nut Push	363	442780	Spacer
175	441823	Shaft Asm Shift	364	443032	Bracket Idler
183	137057	Spacer Axle	372	587062701	Keeper Belt
184	199996X428	Handle Parking Brake			
185	72110622	Bolt 3/8-16 x 2-3/4			
186	194321	Spacer Retainer			
188	582217001	Link Clutch Ground Drive, Long			

NOTE: All component dimensions given in U.S. inches
1 inch = 25.4 mm

TRACTOR - - MODEL NUMBER 917.991471

ENGINE



engine-tex_BS_107

TRACTOR - - MODEL NUMBER 917.991471

ENGINE

KEY NO.	PART NO.	DESCRIPTION
1	- - - -	Engine B&S Model No. 31R977-0011-B1(585689201) (See engine breakdown.)
2	137352	Muffler
9	584908001	Keeper Belt Engine
11	587241601	Clutch Ogura
12	405097	Pulley Engine
15	581289901	Tank Fuel
18	430220	Cap Fuel
20	176636X428	Control Throttle/Choke
21	416358	Screw #10 x 0.750
22	187771X428	Control Choke
28	137040	Line Fuel
29	137180	Kit Spark Arrester (Flat Scrn)
37	123487X	Clamp Hose Blk
41	126197X	Washer 1-1/2 x 15/32 x .250
42	10040700	Washer Lock 7/16
43	17060516	Screw 5/16-18 x 1
45	73510400	Nut Keps Hex 1/4-20 unc
69	165291	Gasket Muffler
79	192334	Screw 5/16-18 x .75
84	17060620	Screw 3/8-16 x 1-1/4
85	179953	Bolt Hex 7/16-20 x 3.75 Gr. 5
90	17000616	Screw 3/8-16 x 1
96	19091416	Washer 9/32 x 7/8 x 16 Ga.
97	17670412	Screw Hexwsh Thdrol 1/4-20 x 3/4
108	587179502	Cover Pulley Eng. w/SHLD
122	421922	Extension Drain Oil

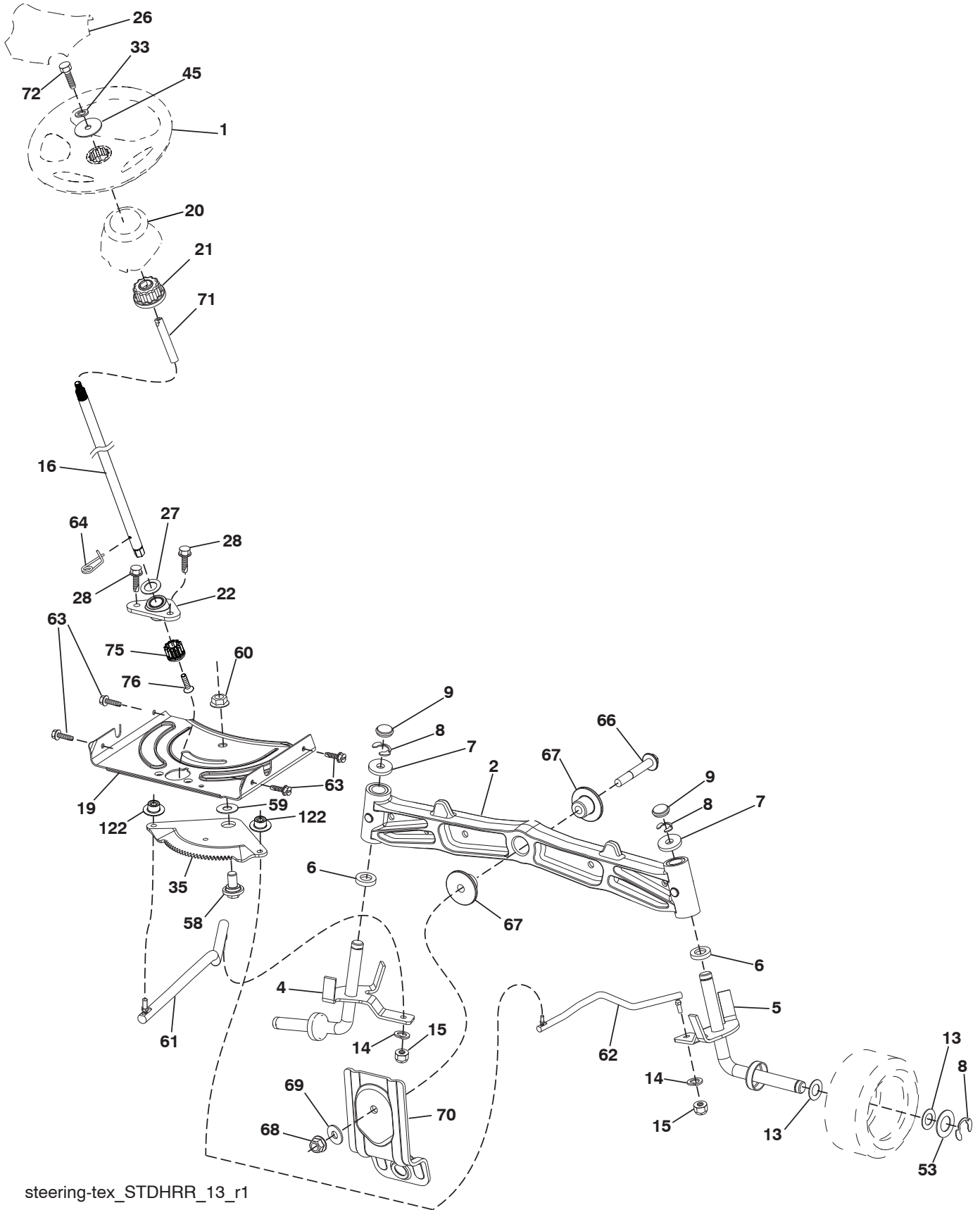
NOTE: All component dimensions given in U.S. inches
1 inch = 25.4 mm

Engine Power Rating Information

The gross power rating for individual gas engine models is labeled in accordance with SAE (Society of Automotive Engineers) code J1940 (Small Engine Power & Torque Rating Procedure), and rating performance has been obtained and corrected in accordance with SAE J1995 (Revision 2002-05). Torque values are derived at 3060 RPM; horsepower values are derived at 3600 RPM. Actual gross engine power will be lower and is affected by, among other things, ambient operating conditions and engine-to-engine variability. Given both the wide array of products on which engines are placed and the variety of environmental issues applicable to operating the equipment, the gas engine will not develop the rated gross power when used in a given piece of power equipment (actual "on-site" or net power). This difference is due to a variety of factors including, but not limited to, accessories (air cleaner, exhaust, charging, cooling, carburetor, fuel pump, etc.), application limitations, ambient operating conditions (temperature, humidity, altitude), and engine-to-engine variability. Due to manufacturing and capacity limitations, Briggs & Stratton may substitute an engine of higher rated power for this Series engine.

TRACTOR - - MODEL NUMBER 917.991471

STEERING ASSEMBLY



TRACTOR - - MODEL NUMBER 917.991471

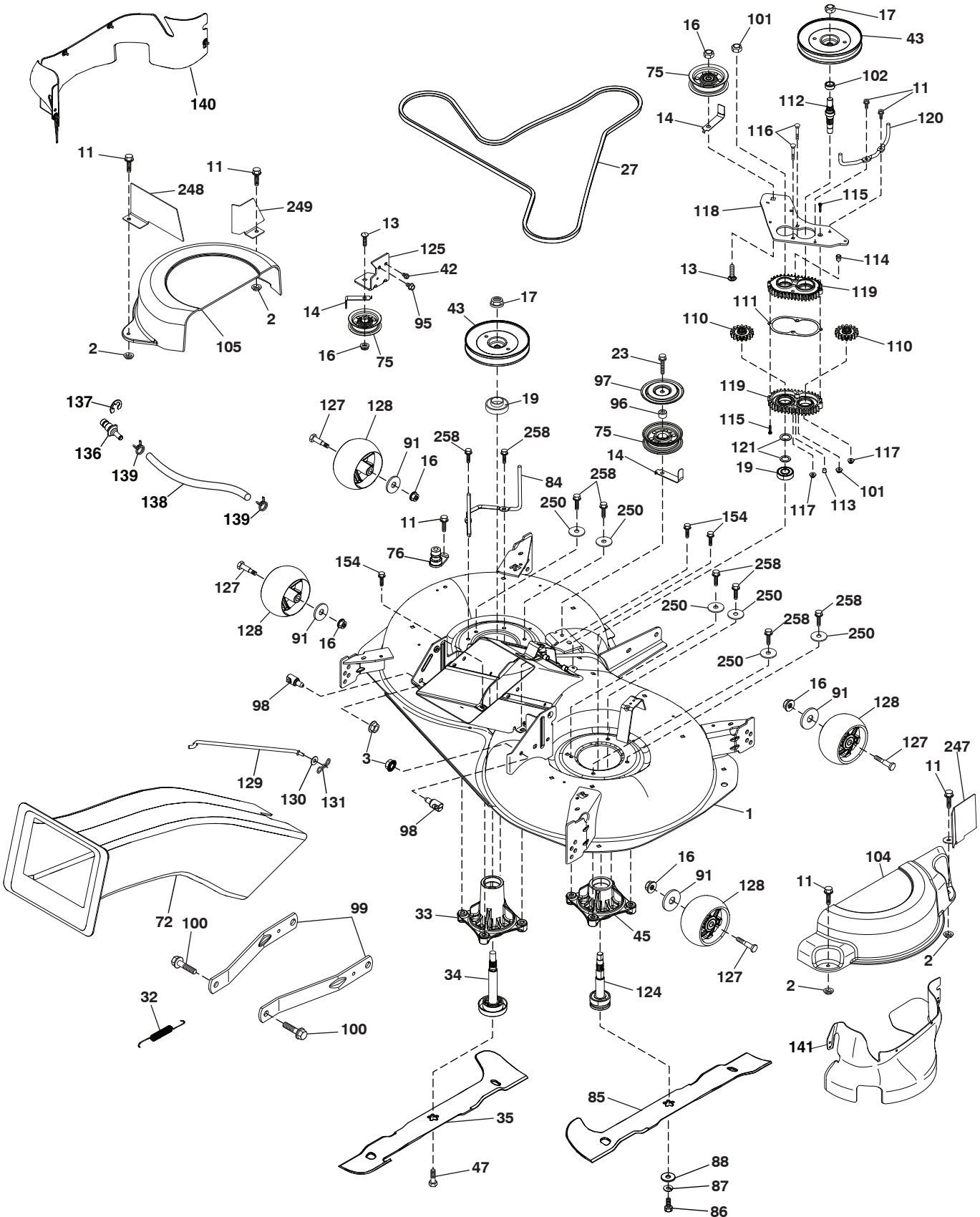
STEERING ASSEMBLY

KEY NO.	PART NO.	DESCRIPTION
1	414851X428	Wheel, Steering
2	195968	Axle Cast Iron
4	403087	Spindle Asm., LH
5	403088	Spindle Asm., RH
6	6266H	Bearing, Race Thrust Harden
7	121748X	Washer 25/32 x 1-5/8 x 16 Ga.
8	12000029	Ring, Klip #T5304-75
9	184946X667	Cap, Spindle
13	121749X	Washer 25/32 x 1-1/4 x 16 Ga.
14	10040600	Washer, Lock Hvy Hlcl Spr 3/8
15	73540600	Nut, Crown Lock 3/8-24 unf
16	585869202	Shaft Steering
19	194729	Plate Steering
20	400803X428	Boot, Steering
21	186737	Adapter, Wheel Steering
22	585029802	Bearing Shaft Steer
26	414852X428	Insert, Wheel Cap
27	19211616	Washer 21/32 x 1 x 16 Ga.
28	17000612	Screw 3/8-16 x 3/4
33	10040500	Washer Lock Hvy. HLCL SPR 5/16
35	194732	Gear, Sector Plate
45	19113812	Washer 11/32 ID x 2-3/8 OD x 12 Ga.
53	188967	Washer Hardened .793 x 1.637 x .060
58	194747	Bolt Shoulder Sector Pivot CFM
59	194748	Washer Thrust Sector Steering
60	73971000	Nut Flange Lock 5/8-11
61	194740	Draglink, LH
62	194741	Draglink, RH
63	17000512	Screw 5/16-18 x 3/4
64	199849	Retainer Clip Spring Steering
66	71020748	Bolt Hex Fghd 7/16-14 x 3 Serr
67	194737	Bushing PM Front Axle
68	73900700	Nut Lock Flange 7/16-14 Gr. 5
69	199162	Washer 1.5 x .505 x .118
70	585338801	Bracket Deck Susp. Front
71	190752	Shaft Exten.
72	428982	Bolt Fin. Hex 5/16-18 x 4 W/Patch
75	580683701	Pinion
76	580683601	Screw Head Socket
122	444962	Cap Gear Sector

NOTE: All component dimensions given in U.S. inches
1 inch = 25.4 mm

TRACTOR - - MODEL NUMBER 917.991471

MOWER DECK



TRACTOR - - MODEL NUMBER 917.991471

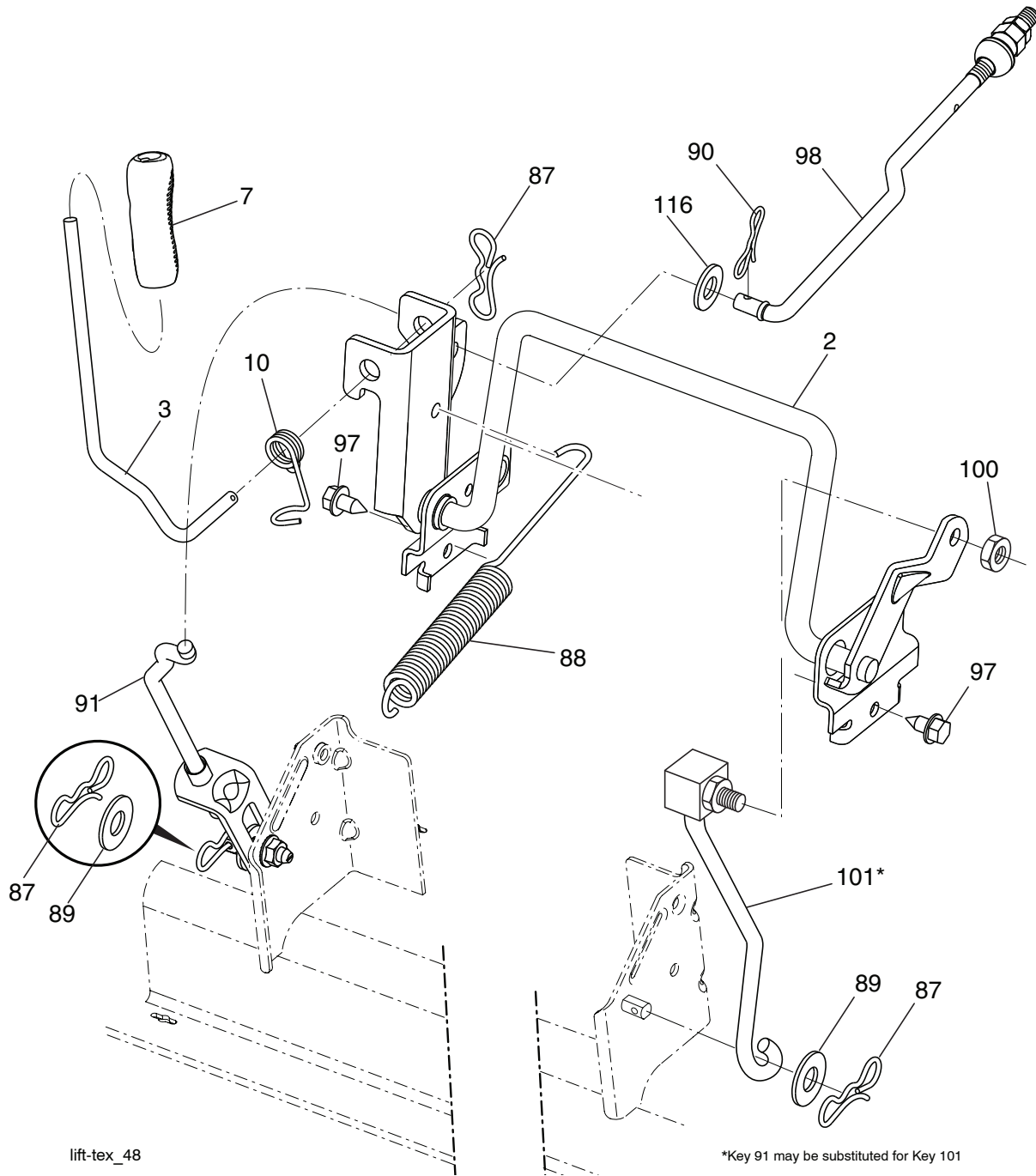
MOWER DECK

KEY NO.	PART NO.	DESCRIPTION	KEY NO.	PART NO.	DESCRIPTION
1	447738	Deck Weldment	115	18031016	Screw Torx #10-24 x 1
2	423062	Palnut	116	72110414	Bolt 1/4-20 x 1.75 Gr. 5
3	73900500	Nut Lock Hex Flange 5/16-18	117	73900400	Nut Hex Flange 1/4-20 unc
11	137729	Screw Thd Roll 1/4-20 X 5/8	118	443232	Arm Clutching
13	72110612	Bolt Carr Sh 3/8-16 X 1-1/2 Gr. 5	119	438166	Gearcase Subasm
14	156085	Keeper Belt Idler	120	443236	Keeper Belt RH
16	73900600	Nut Lock FIG 3/8 - 16 unc	121	436985	Washer
17	400234	Nut Flange Lock Top	124	581650701	Shaft Asm Mndrel Short
19	585323901	Bearing Mandrel	125	440420	Bracket Idler Chassis
23	17490628	Screw Thdrol 3/8-16 X 1-3/4	127	193406	Bolt Shoulder 3/8-16 x 3-5/8 Gr. 5
27	445886	V-Belt Drive	128	174873	Wheel Gauge
32	446205	Spring Return Deck	129	443237	Rod Anti-Sway
33	580796101	Mandrel Asm. Tall	130	19131312	Washer 13/32 x 13/16 x 12 Ga.
34	580854701	Shaft Asm Mndrel Tall	131	194208	Pin Cotter 5/16 Bow Tie Lock
35	581517901	Blade Mower LH	136	439639	Washout Port Remote
42	17000512	Screw 5/16-18 x 3/4	137	12000029	Ring Klip
43	443239	Pulley Mandrel	138	447667	Washout Port Hose
45	581650801	Mandrel Asm. Short	139	440742	Hose Clamp
47	584309301	Screw	140	501580001	Guard French LH
72	581454102	Chute Upper	141	501579601	Guard French RH
75	131494	Pulley Idler Flat	154	199855	Screw Thd Roll 1/4-20 x 1/2
76	439640	Washout Port	247	581263402	Guard Steel
84	443235	Keeper Belt LH Mandrel	248	581263602	LH Rear French Steel Guard
85	581518001	Blade Mower RH	249	581263502	LH Front French Steel Guard
86	181713	Bolt 3/8-24 x 1.50 Gr. 8	250	19111212	Washer 11/32 x 3/4 x 12 Ga.
87	10030600	Washer Lock Hvy 3/8	258	584953901	Bolt Hex Wsh. Hd 313-18 x 1.19
88	140296	Washer Hard Blade Mower Vented	--	587126105	Mandrel Assembly-Tall(Includes Housing (key #33), Shaft Assembly (key #34), and Bearing (key #19) Only - Pulley/Nut/Washer And Blade Bolt/Washers Not Included)
91	19132012	Washer 13/32 x 1-1/4 x 12 Ga.	--	581650501	Mandrel Assembly-Short (Includes Housing (key #45), Shaft Assembly (key #124), and Bearing (key #19) Only - Pulley/Nut/Washer And Blade Bolt/Washers Not Included)
95	17000612	Screw 3/8-16 x 3/4	--	588108601	Replacement Mower Complete
96	400271	Spacer			
97	182061	Shield Idler Mower			
98	195161	Stud Fastener			
99	195186	Arm Suspension Mower Rear			
100	196539	Bolt Shoulder			
101	73680900	Nut Crownlock 9/16 - 18 unc			
102	402511	Spacer Bearing Swing Plate			
104	581714001	Mandrel Cover RH			
105	444755	Mandrel Cover LH			
110	587934801	Gear Output			
111	436979	Gasket Gearcase			
112	443852	Shaft Gearcase Adapter			
113	438533	Plug Oil			
114	588170501	Vent Breather			

NOTE: All component dimensions given in U.S. inches
1 inch = 25.4 mm

TRACTOR - - MODEL NUMBER 917.991471

LIFT ASSEMBLY



lift-tex_48

*Key 91 may be substituted for Key 101

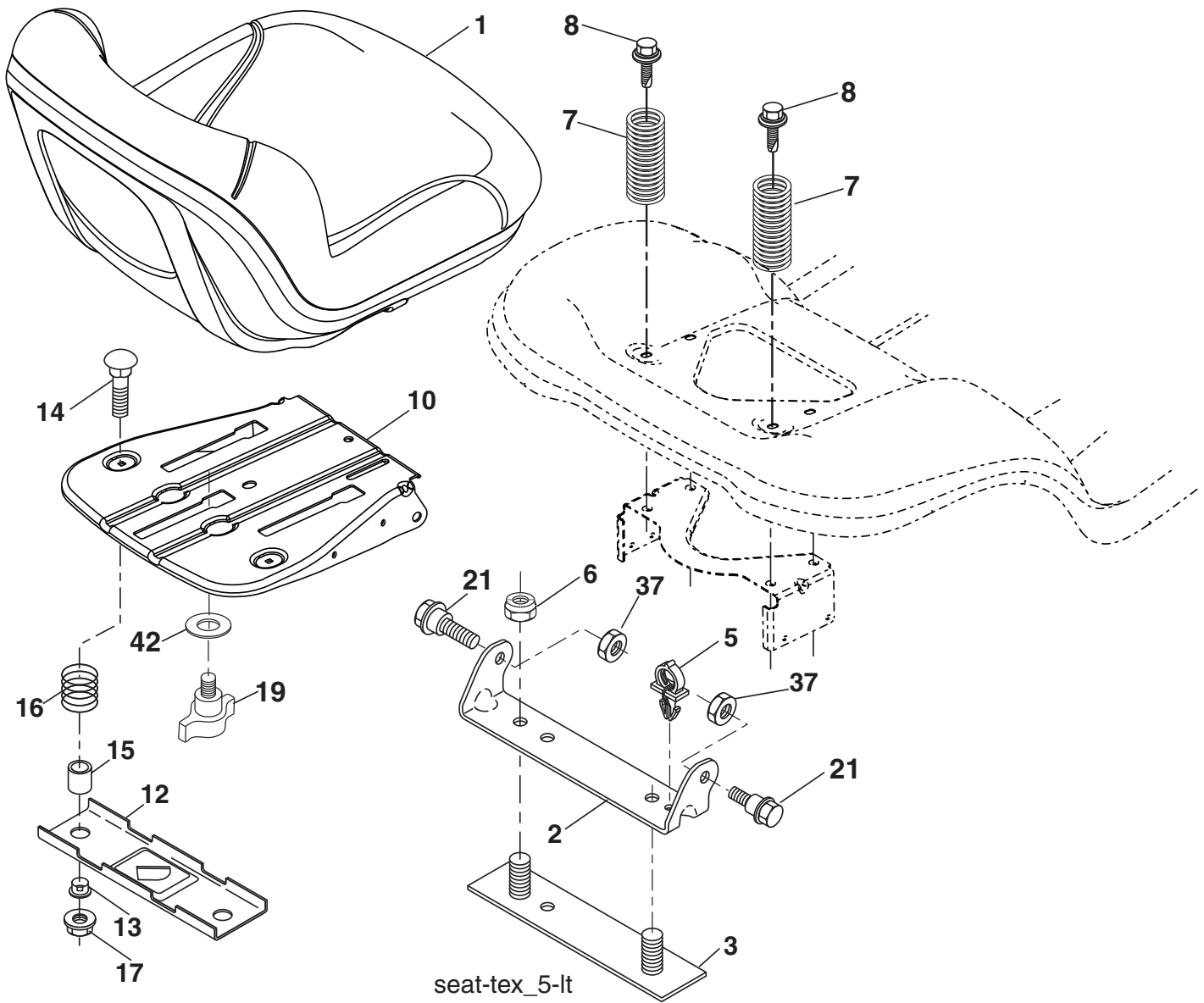
KEY NO.	PART NO.	DESCRIPTION
2	436996	Deck Lift
3	195231	Lever Asm., Lift RH
7	445060X428	Grip, Lever
10	196314	Spring Torsion
87	194209	Pin Cotter 7/16 Bow Tie Lock
88	445496	Spring Lift Assist
89	19191912	Washer 17/32 x 1-3/16 x 12 Ga.
90	194208	Pin Cotter 5/16 Bow Tie Lock
91	195181	Link Lift Susp Mower Rear

KEY NO.	PART NO.	DESCRIPTION
97	17490608	Screw 3/8-16 x 1/2
98	195270	Link Lift Susp. Front Mower
100	73930600	Nut Centerlock 3/8-16 unc
101	407003	Link Asm. Lift Fxd.
116	19151516	Washer 15/32 x 15/16 x 16 Ga.

NOTE: All component dimensions given in U.S. inches
1 inch = 25.4 mm

TRACTOR -- MODEL NUMBER 917.991471

SEAT ASSEMBLY



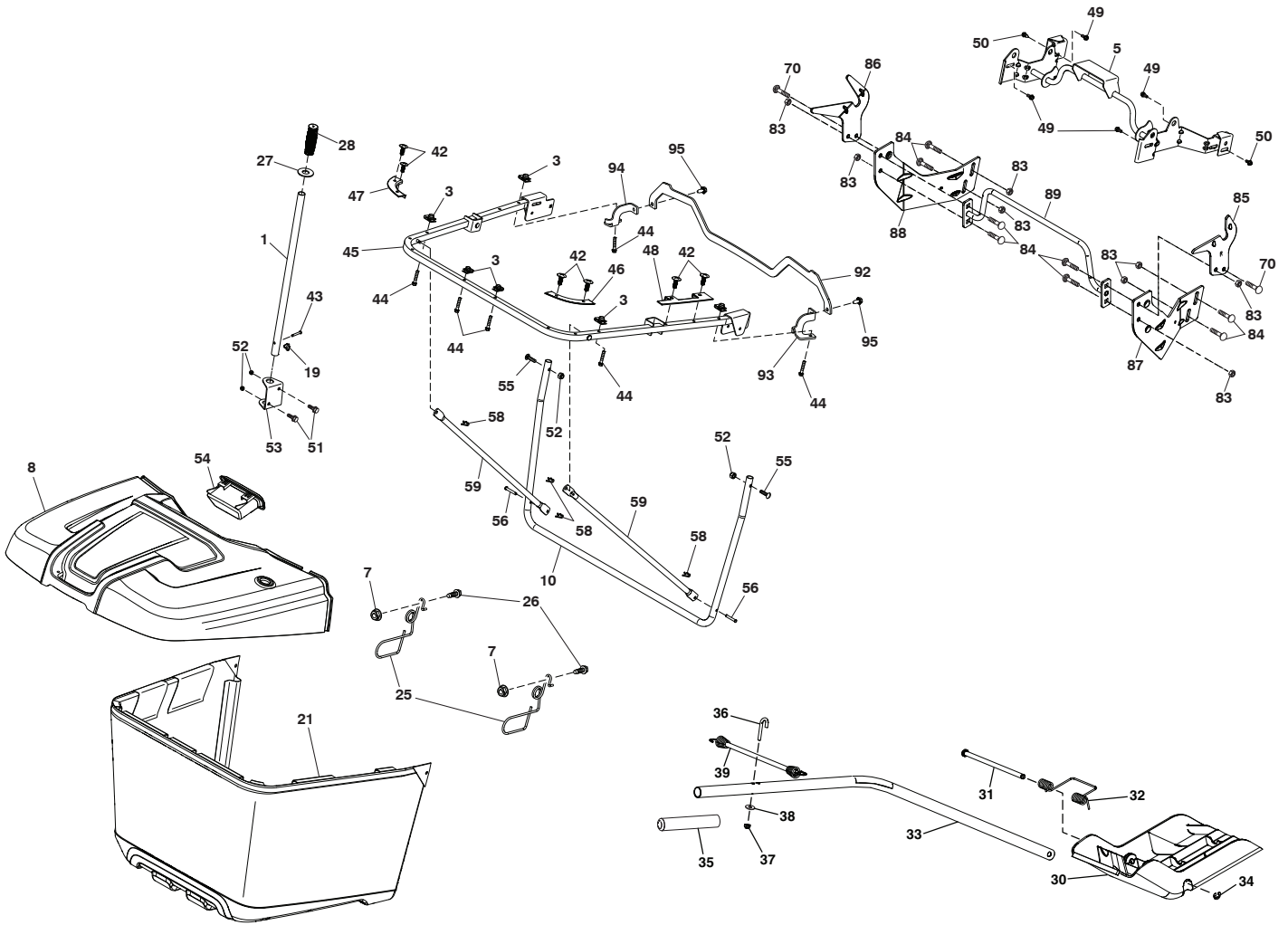
KEY NO.	PART NO.	DESCRIPTION
1	586507601	Seat
2	180166	Bracket Pivot Fender
3	140675	Strap Asm. Fender
6	73800600	Nut, Lock w/lns. 3/8-16 unc
7	587613301	Spring, Seat Cprsn
8	171877	Bolt 5/16-18 unc x 3/4 w/Sems
10	441805	Pan, Seat
12	199370	Bracket Mount
13	121248X	Bushing Snap
14	72050412	Bolt 1/4-20 x 1-1/2
15	134300	Spacer Split

KEY NO.	PART NO.	DESCRIPTION
16	123740X	Spring
17	123976X	Nut Lock 1/4 LGE FLG Gr. 5
19	199372	Knob Seat
21	587907801	Bolt, Shoulder 5/16-18 x 5/8
37	73800500	Nut, Lock 5/16-18 unc
42	199371	Washer Cup

NOTE: All component dimensions give in U.S. inches
1 inch = 25.4 mm

TRACTOR - - MODEL NUMBER 917.991471

BAGGER



Bagger_TexCRD-Gen2_8

TRACTOR - - MODEL NUMBER 917.991471

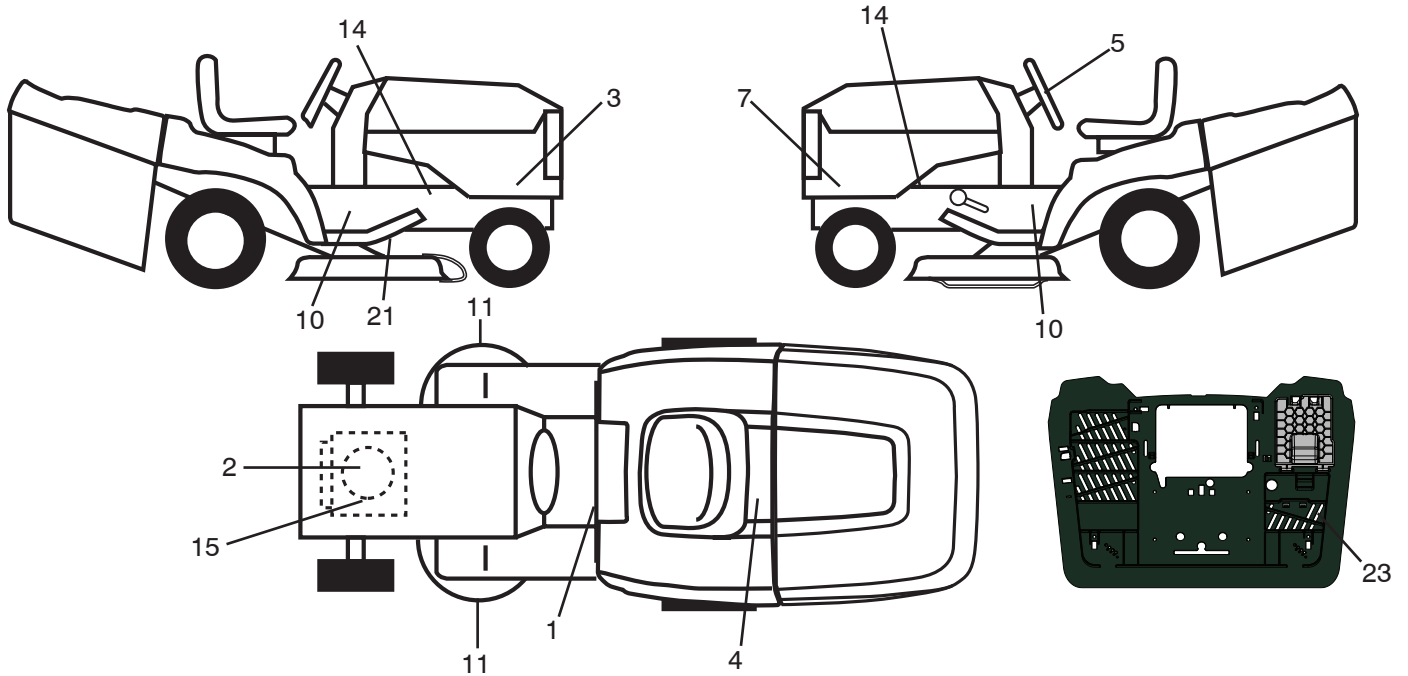
BAGGER

KEY NO.	PART NO.	DESCRIPTION	KEY NO.	PART NO.	DESCRIPTION
1	428610	Tube Handle Bagger	49	171873	Bolt Shoulder 5/16-18 TT
3	174814	Nut Push	50	171877	Bolt 5/16-18 unc x 3/4 W/SEMS
5	443762	Frame Asm Top Bagger	51	72110506	Bolt RDHDSQNK 5/16-18 unc x 3/4
7	73900400	Nut Hex Flange 1/4-20 unc	52	73800500	Nut Lock HX W/INS 5/16-18 UNC
8	444082	Cover Bagger	53	444195	Bracket Dump Handle
10	443755	Frame Front	54	444078X428	Bagger TOP Front Handle
19	194208	Cotter Pin 5/16 Bow Tie	55	72140512	Bolt Rdhd Sq 5/16-18UNCX1 1/2
21	581337102	Bag Asm	56	420306	Pin Clevis .1830DX1.26 long
25	445528	Latch Bagger	58	85179	Clip Retainer PM
26	17490412	Screw Hexwsh Thdrol 1 14-20 x 3/4	59	444763	Bagger Spread Tube
27	445529	Grommet Rubber	70	17000612	Bolt 3/8-16X3/4
28	165787	Grip Handle Black	83	73800600	Nut Lock Hex w/Ins 3/8-16
30	437452	Plug Mulch	84	72110608	Bolt RDHD SQNK 3/8-16 x 1 Gr. 5
31	435861	Pin Hinge	85	581314402	Bracket RH Pivot
32	437454	Spring Double Torsion	86	581314302	Bracket LH Pivot
33	438451	Shaft Mulch Plug	87	581314802	Bracket RH
34	437988	E-Ring	88	581314702	Bracket LH
35	439139	Grip Mulch Plug	89	581315104	Weldment Offset Strut
36	439098	Bolt J	92	586052302	Bracket Top Support
37	69180	Nut Lock #10-24 unc	93	586052402	Bracket Support RH
38	19070818	Washer 7/32 x 1/2	94	586052502	Bracket Support LH
39	445794	Bungee	95	17000512	Screw 5/16-18 x 3/4
42	440428	Christmas Tree Clip			
43	126875X	Clevis Pin			
44	199687	Bolt 1/4-20 1.50			
45	443754	Upper U Frame Weldment			
46	445541	Bagger Corner Close-Out RH			
47	444079	Bagger Corner Close-Out LH			
48	444080	Top Bagger Side Close-Out			

NOTE: All component dimensions given in U.S. inches
1 inch = 25.4 mm

TRACTOR - - MODEL NUMBER 917.991471

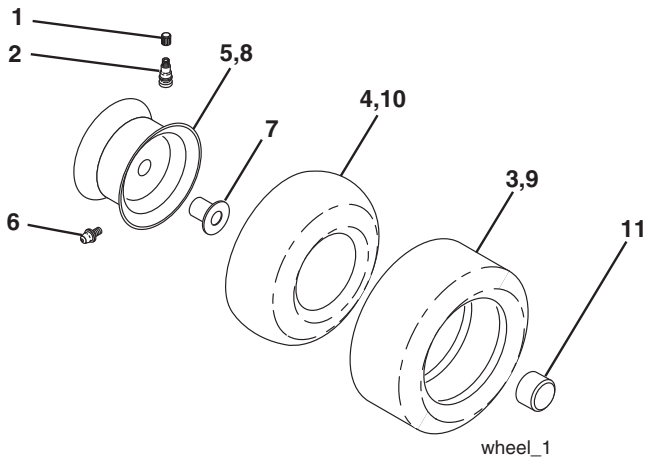
DECALS



KEY NO.	PART NO.	DESCRIPTION
1	581578301	Decal, Warning
2	581579701	Decal, Warning
3	586207301	Decal, Hood RH
4	145005	Decal, Battery
5	581894601	Decal, Steering
7	586207302	Decal, Sideskirt LH
10	581579801	Decal, Warning Service/Fire
11	581579101	Decal, Mower Cut Finger Symbol
14	581579601	Decal, Chassis Hot Muffler
15	442546	Decal, Engine HP
21	441189	Decal, Belt Sch CRD

KEY NO.	PART NO.	DESCRIPTION
23	444619	Decal, Bypass
--	588821501	Decal, Instrt. Mulchplug
--	419266X428	Pad Footrest RH
--	419267X428	Pad Footrest LH
--	115800440	Manual Operator's (EURO)
--	115800650	Manual Operator's (SCAN)
--	115800520	Manual Operator's (EBLOC)
--	115800730	Manual Operator's (BALTIC)
--	115800826	Manual Parts

WHEELS & TIRES

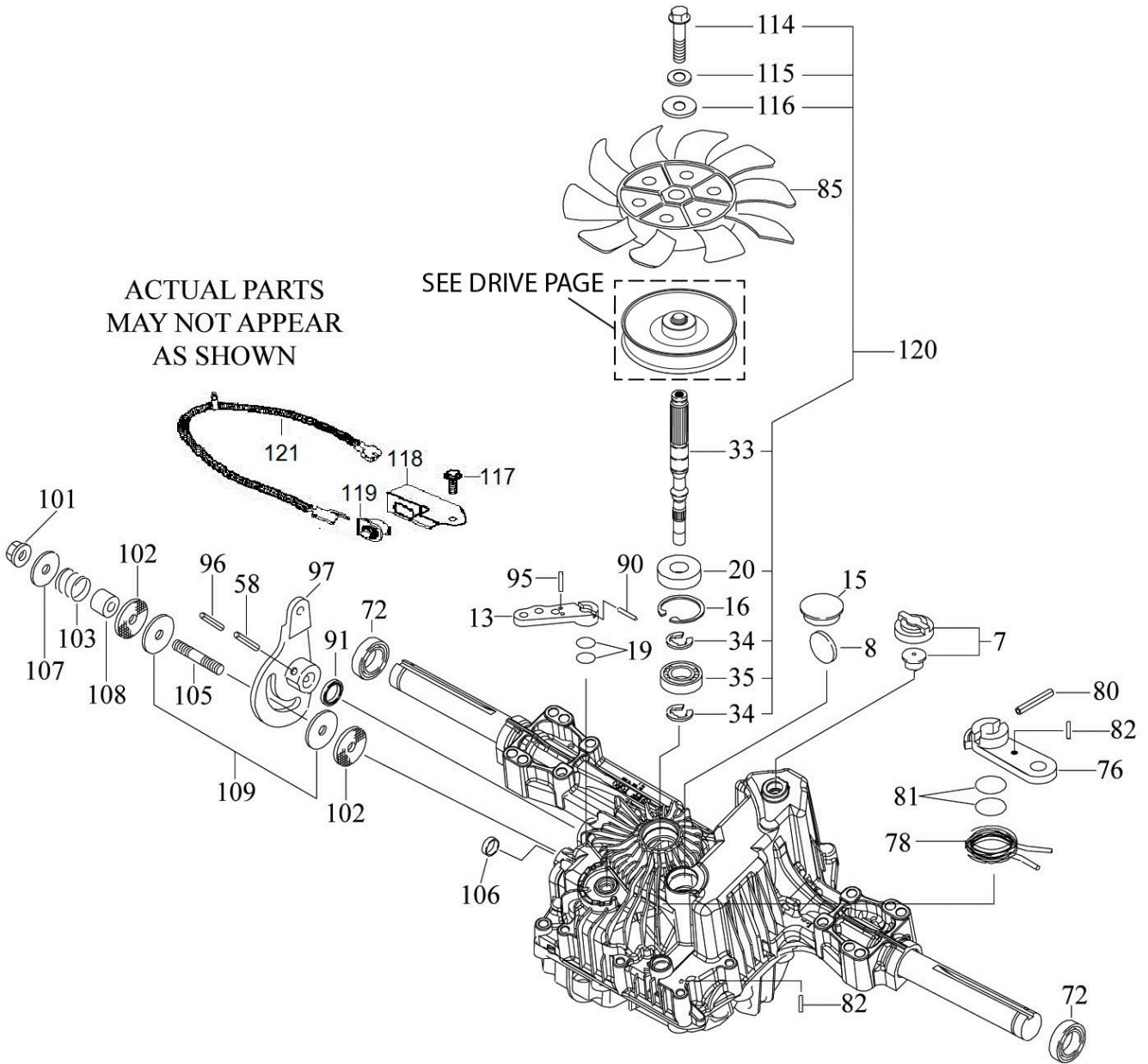


KEY NO.	PART NO.	DESCRIPTION
1	59192	Cap Valve Tire
2	65139	Stem Valve
3	106222X	Tire Front 15 x 6-6
4	59904	Tube Inner Front
5	106732X613	Rim Asm 6"
6	278H	Fitting Grease
7	9040H	Bearing Flange
8	106108X613	Rim Asm 8"
9	420531	Tire Rear 18 x 9.5-8
10	7152J	Tube Rear 9.5 x 8
11	104757X428	Cap Axle Blk 1 50 x 1 00
--	144334	Sealant, Tire (10 oz. Tube)

NOTE: All component dimensions given in U.S. inches
1 inch = 25.4 mm

SERVICE NOTES

TUFFTORQ TRANSAXLE MODEL NUMBER K46DC 7A646084421



TRACTOR - - MODEL NUMBER 917.991471
TUFFTORQ TRANSAXLE - MODEL NO. K46DC

KEY NO.	PART NO.	DESCRIPTION
--	-- -- -- --	K46DC Transaxle
7	588190701	Vent Valve
8	414396	Magnet
12	588190801	Bypass Shaft B
13	414398	Bypass Lever
15	588190901	Sealing Cap 30
16	414400	Snap Ring C 35
19	414401	O-Ring 1A P10a
20	414402	Seal Tc 153507
33	588191001	Pump Shaft
34	588191101	E-Ring 12
35	588191301	Bearing 6202
58	414406	Roll Pin 6 * 40
72	414407	Seal 19 * 32 * 8
76	588208201	Brake Lever
78	414409	Brake Return Spring
80	414410	Spring Pin 5 * 32
81	414411	O-Ring 1A P12
82	414412	Spring Pin 4 * 16
85	588191601	Fan White
90	414418	Spring Pin 3.0A * 20
91	414419	Oil Seal 16 * 22 * .03
95	415850	Spring Pin 3.0A * 16
96	414420	Roll Pin 3.5 * 40
97	414421	Control Lever
101	414216	Lock Nut 10
102	414423	Washer 10 * 40 * 4
103	414424	Spring
105	414425	Stud 10*60
106	414426	Sealing Cap 18
107	414427	Washer 10 * 36 * 2.8
108	414428	Collar 10 * 22 * 17
109	414429	Friction Plate Kit
114	588191701	Bolt
115	588191801	Lock Washer
116	588191901	Washer
117	588192001	Tapping Screw 8 * 20
118	588192101	Switch Bracket
119	588192201	Switch 6440-11 Delta
120	588192301	Pump Shaft/Bearing Kit
121	441262	Pigtail Wire

NOTE: All component dimensions given in U.S. inches
1 inch = 25.4 mm

TRACTOR - - MODEL NUMBER 917.991471

BRIGGS & STRATTON ENGINE-MODEL NUMBER 31R977, TYPE NUMBER 0011-B1

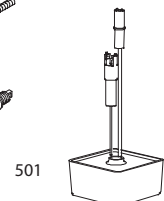
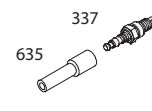
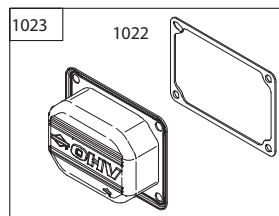
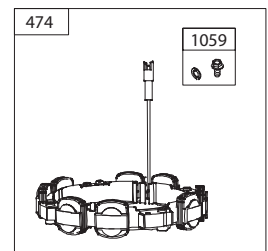
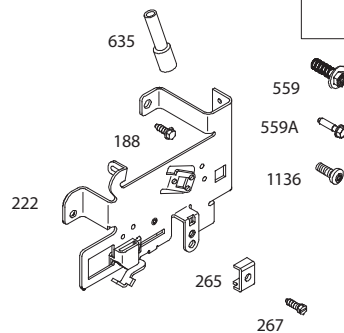
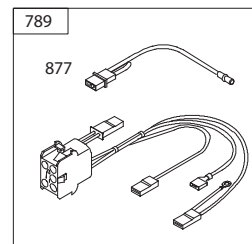
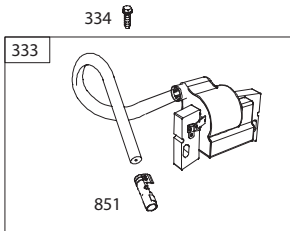
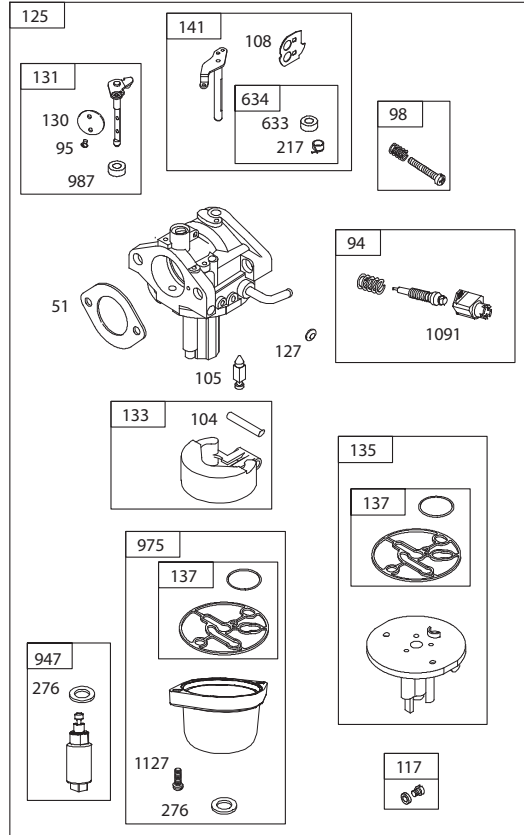
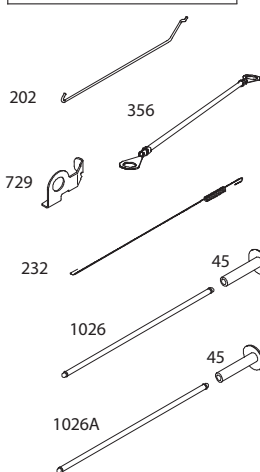
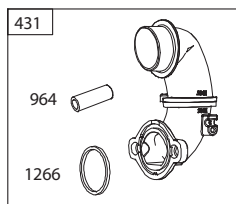
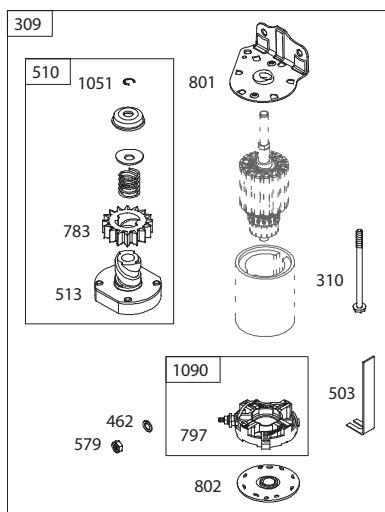
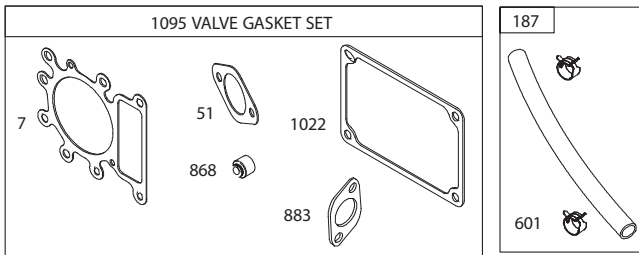
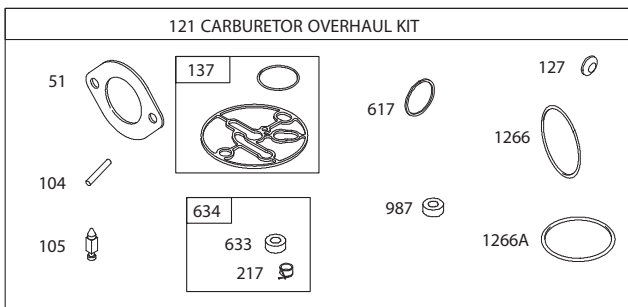
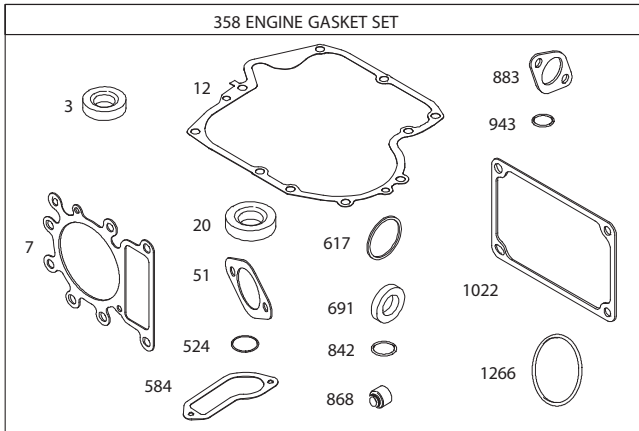
48 SHORT BLOCK

1036 EMISSIONS LABEL

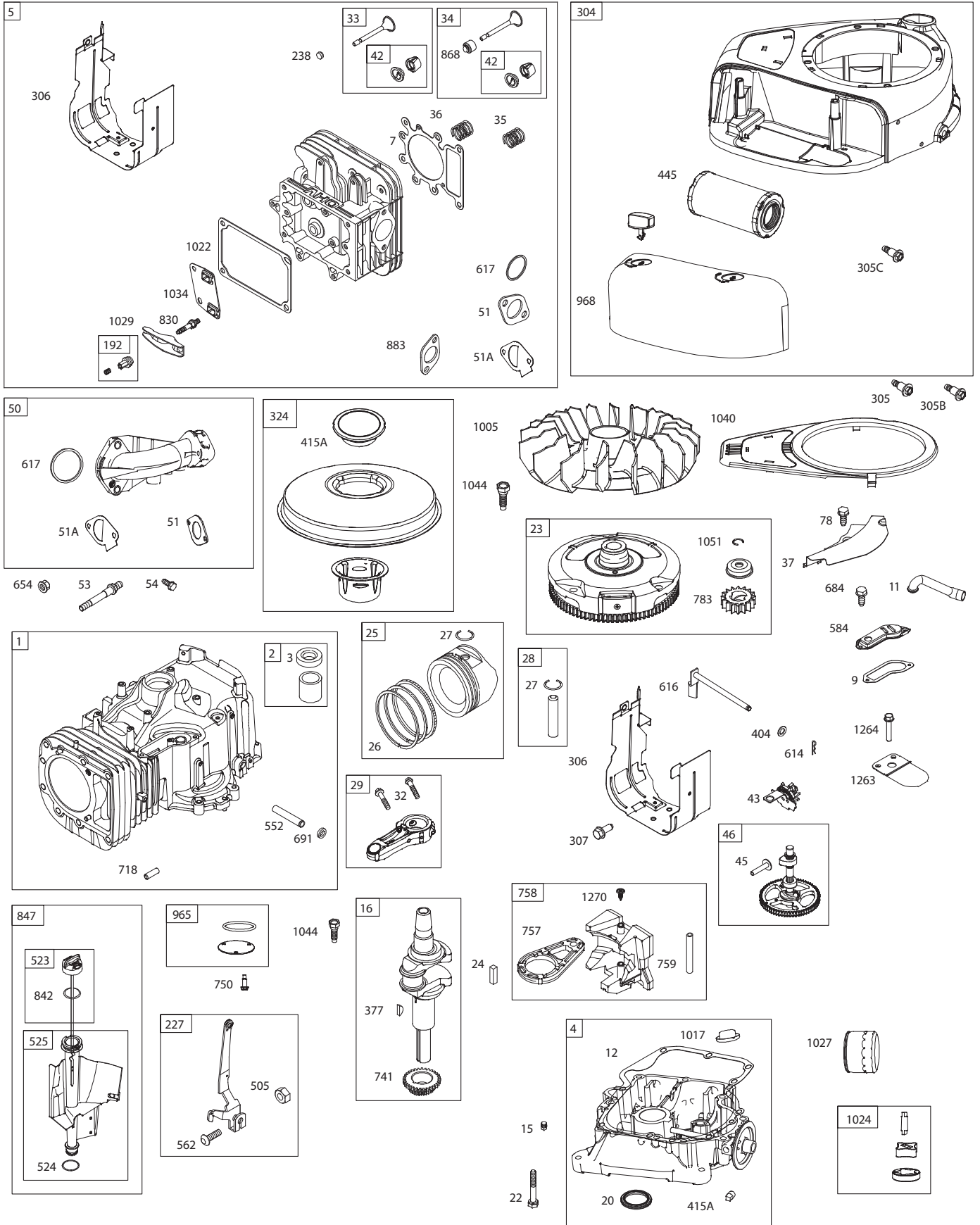
1058 OPERATOR'S MANUAL

1329 REPLACEMENT ENGINE

1330 REPAIR MANUAL



TRACTOR - - MODEL NUMBER 917.991471
BRIGGS & STRATTON ENGINE-MODEL NUMBER 31R977, TYPE NUMBER 0011-B1



TRACTOR - - MODEL NUMBER 917.991471

BRIGGS & STRATTON ENGINE-MODEL NUMBER 31R977, TYPE NUMBER 0011-B1

KEY NO.	PART NO.	DESCRIPTION	KEY NO.	PART NO.	DESCRIPTION
1	796010	Cylinder Assembly	137	698781	Gasket-Float Bowl
2	797673	Bushing/Seal Kit (Magneto Side)	141	592937	Kit-Choke Shaft
3	391086s	Seal-Oil (Magneto Side)	187	791766	Line-Fuel (Cut to Required Length)
4	592849	Sump-Engine	188	691693	Screw (Control Bracket)
5	796026	Head-Cylinder	192	691986	Adjuster-Rocker Arm
7	796584	Gasket-Cylinder Head	202	691841	Link-Mechanical Governor
9	697109	Gasket-Breather	209	796260	Spring-Governor (Green)
11	794683	Tube-Breather	217	695409	Spring-Choke Return
12	697110	Gasket-Crankcase	222	694042	Bracket-Control
13	592244	Screw (Cylinder Head)	227	691374	Lever-Governor Control
15	690946	Plug-Oil Drain	232	691842	Spring-Governor Link
16	591763	Crankshaft	238	691843	Cap-Valve
20	795387	Seal-Oil (PTO Side)	240	394358s	Filter-Fuel
22	692125	Screw (Crankcase Cover/Sump)	265	691024	Clamp-Casing
23	591758	Flywheel	267	794904	Screw (Casing Clamp)
24	591757	Key-Flywheel (Steel)	276	695410	Washer-Sealing
25	796172	Piston Assembly (Standard)	304	591642	Blower Housing
	796173	Piston Assembly (.020" Oversize)	305	697102	Screw (Blower Housing) (1/4-20x1.21)
26	791936	Ring Set (Standard)	305B	795891	Screw (Blower Housing to Intake Elbow) (#10-16x.43)
	792649	Ring Set (.020" Oversize)			
27	698469	Lock-Piston Pin	305C	799370	Screw (Blower Housing) (1/4-20x.90)
28	796007	Pin-Piston			
29	794571	Rod-Connecting	306	592777	Shield-Cylinder
32	791118	Screw (Connecting Rod)	307	691693	Screw (Cylinder Shield)
33	792868	Valve-Exhaust	309	693551	Motor-Starter
34	791935	Valve-Intake	310	690323	Screw (Starter Motor)
35	691279	Spring-Valve (Intake)	324	796308	Screen/Cup Assembly
36	691279	Spring-Valve (Exhaust)	356	697089	Stop-Wire
37	697352	Guard-Flywheel	333	799650	Armature-Magneto
42	499586	Keeper-Valve	334	691061	Screw (Magneto Armature)
43	691968	Slinger-Governor/Oil	337	691043	Plug-Spark
45	690564	Tappet-Valve	358	796187	Gasket Set-Engine
46	793880	Gear-Cam	377	691639	Key-Woodruff
48	N/A	Short Block (Not Available at This Printing)	404	691691	Washer (Governor Crank)
			415	794129	Plug (Cover/Retainer)
50	592842	Manifold-Intake	415A	794903	Plug
51	692137	Gasket-Intake	431	797901	Elbow-Intake
51A	796081	Gasket-Intake	445	591334	Filter-Air Cleaner Cartridge
53	591260	Stud (Carburetor)	462	691261	Washer (Starter Cable)
54	691148	Screw (Intake Manifold)	474	592829	Alternator
78	691693	Screw (Flywheel Guard)	501	794360	Regulator
94	793610	Kit-Idle Mixture	503	691532	Strap-Starter
95	690718	Screw (Throttle Valve)	505	691251	Nut (Governor Control Lever)
98	695408	Kit-Idle Speed	510	693699	Drive-Starter
104	694918	Pin-Float Hinge	513	692024	Clutch-Drive
105	696136	Valve-Float Needle	523	699908	Dipstick
108	695419	Valve-Choke	524	691032	Seal-Dipstick Tube
117	699733	Jet-Main (Standard)	525	697184	Tube-Dipstick
118	843099	Jet-Main (High Altitude) (5000/9000 Feet)	526	697088	Screw (Regulator)
			552	697144	Bushing-Governor Crank
121	796184	Kit-Carburetor Overhaul	559	693675	Screw (Remote Choke Stop) (6 Lobe)
125	591734	Carburetor			
127	690727	Plug-Welch	559A	697561	Screw (Remote Choke Stop) (#8-32x.37)
130	792747	Valve-Throttle			
131	792765	Kit-Throttle Shaft	562	691119	Screw (Governor Control Lever)
133	694914	Float-Carburetor	579	691029	Nut (Starter Cable)
135	698780	Tube-Fuel Transfer	584	794682	Cover-Breather Passage

TRACTOR - - MODEL NUMBER 917.991471
BRIGGS & STRATTON ENGINE-MODEL NUMBER 31R977, TYPE NUMBER 0011-B1

KEY NO.	PART NO.	DESCRIPTION	KEY NO.	PART NO.	DESCRIPTION
601	791850	Hose-Clamp (Green)	1036		Label-Emissions
614	691620	Pin-Cotter (Governor Crank)			(Available from a Briggs & Stratton Authorized Dealer)
616	692012	Crank-Governor			Plate-Trim
617	692138	Seal-O Ring (Intake Manifold) (Red)	1040	699852	Screw (Flywheel)
633	699813	Seal-Choke/Throttle Shaft (Choke Shaft)	1044	698139	Ring-Retaining
634	698779	Spring/Seal Assembly (Choke Shaft)	1051	691265	Tie-Cable
635	691909	Boot-Spark Plug	1054	280275	Operator's Manual
654	690958	Nut (Carburetor) (Serrated)	1058	276344	Kit-Screw/Washer (Alternator)
684	697157	Screw (Breather Assembly)	1059	698516	Retainer-Brush
691	692407	Seal-Governor Shaft	1090	691293	Cap-Limiter
697	791680	Screw (Drive Cap)	1091	691333	Gasket Set-Valve
718	690959	Pin-Locating	1095	794152	Screw (Alternator)
724	697478	Link-Starter Switch	1119	691183	Screw (Float Bowl)
729	691224	Clip-Wire	1127	695407	Screw (High Speed Control)
741	697128	Gear-Timing	1136	699891	Reed-Breather
750	790832	Screw (Oil Pump Cover)	1263	697104	Screw (Breather Reed)
757	793242	Link-Counterweight	1266	691917	Seal-O Ring (Intake Elbow) (Red)
758	793763	Counterweight	1266A	697123	Seal-O Ring (Intake Elbow)
759	697392	Pin-Counterweight	1270	793243	Plug-AVS Counterweight
783	693713	Gear-Pinion	1329	N/A	Replacement Engine (Not Available at This Printing)
789	698329	Harness-Wiring	1330	N/A	Repair Manual (Not Available at This Printing)
797	693167	Nut (Brush Retainer)			
801	691283	Cap-Drive			
802	691286	Cap-End			
830	691095	Stud-Rocker Arm			
842	691031	Seal-O Ring (Dipstick Tube)			
847	790442	Dipstick/Tube Assembly			
850	100106	Sealant-Liquid			
851	692424	Terminal-Spark Plug			
868	690968	Seal-Valve			
877	790544	Wire/Connector-Alternator			
883	692236	Gasket-Exhaust			
914	691108	Screw (Rocker Cover)			
943	690589	Seal-O Ring (Oil Pump Cover)			
947	699915	Solenoid-Fuel			
964	799159	Cap-Connector			
965	499613	Cover-Oil Pump			
968	591647	Cover-Air Cleaner			
975	699502	Bowl-Fuel			
987	698777	Seal-Throttle Shaft			
1005	796083	Fan-Flywheel			
1017	796981	Screen-Oil Pump			
1022	272475s	Gasket-Rocker Cover			
1023	797421	Cover-Rocker			
1024	794644	Pump-Oil			
1026	692003	Rod-Push (Intake) (Aluminum)			
1026A	692011	Rod-Push (Exhaust) (Steel)			
1027	492932s	Filter-Oil			
1029	691751	Arm-Rocker			
1034	690822	Guide-Push Rod			

Carburetor Overhaul Kit Key No. 121
 Engine Gasket Set Key No. 358
 Valve Gasket Set Key No. 1095

NOTE: All component dimensions given in U.S. inches
 1 inch = 25.4 mm

