

CRAFTSMAN®

Product questions or problems?

1-888-331-4569

Customer Care Hot Line

Get answers to questions, troubleshoot problems,
order parts, or schedule repair service.

Para respuestas a preguntas o problemas, y ordenar
piezas o pedir servicio para la reparación de su equipo.

To help us help you, register your product at www.craftsman.com/registration

Para poderte ayudar mejor, registra tu producto en www.craftsman.com/registration

Join the Craftsman Club today!

CRAFTSMAN® CLUB

www.craftsman.com/signup

Receive exclusive member benefits including special pricing and offers,
project sharing, expert advice, and SHOP YOUR WAY REWARDS!

Como miembro exclusivo, recibe diversos beneficios como ofertas, precios especiales, proyectos
nuevos, consejos de expertos y nuestro programa de puntos SHOP YOUR WAY REWARDS!

® Registered Trademark / ™ Trademark of KCD IP, LLC in the United States, or Sears Brands, LLC in other countries
® Marca Registrada / ™ Marca de Fábrica de KCD IP, LLC en Estados Unidos, o Sears Brands, LLC in otros países

Repair Parts Manual

CRAFTSMAN®

LAWN TRACTOR

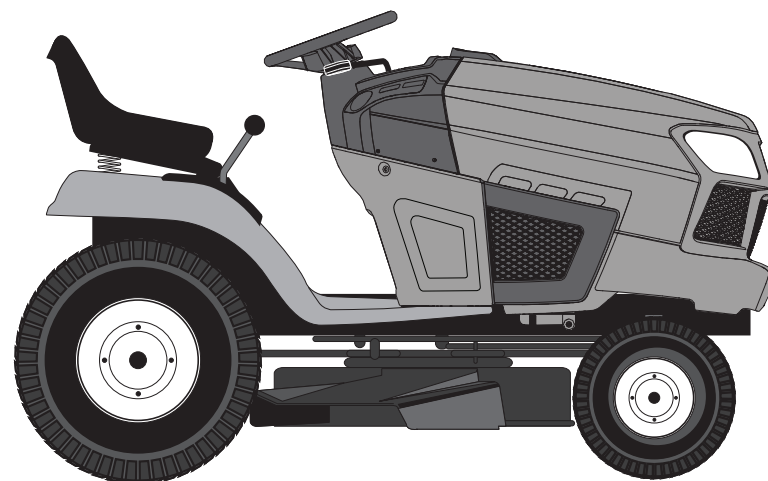
19 HP,* 46" Mower

Electric Start

Automatic Transmission

Model No.

917.203850



For answers to your questions
about this product, call:

1-888-331-4569

Craftsman Customer Help Line

Sears Brands Management Corporation, Hoffman Estates, IL 60179 U.S.A.
Visit our Craftsman website: www.craftsman.com

* The power rating as declared by the engine manufacturer is the average gross power output at the specified RPM of a typical production engine for the engine model measured using SAE Standards for engine gross power. Please refer to the engine manufacturer for details.

WARNING: This tractor is equipped with an internal combustion engine and should not be used on or near any unimproved forest-covered, brush-covered or grass-covered land unless the engine's exhaust system is equipped with a spark arrester meeting applicable local or state laws (if any). If a spark arrester is used, it should be maintained in effective working order by the operator.

In the state of California the above is required by law (Section 4442 of the California Public Resources Code). Other states may have similar laws. Federal laws apply on federal lands. A spark arrester for the muffler is available through your nearest Sears service center (See ENGINE ASSEMBLY section of this manual).

REPAIR PROTECTION AGREEMENTS

Congratulations on making a smart purchase. Your new Craftsman® product is designed and manufactured for years of dependable operation. But like all products, it may require repair from time to time. That's when having a Repair Protection Agreement can save you money and aggravation.

Purchase a Repair Protection Agreement now and protect yourself from unexpected hassle and expense.

Here's what's included in the Agreement:

- **Expert service** by our 12,000 professional repair specialists.
- **Unlimited service and no charge** for parts and labor on all covered repairs.
- **Product replacement** if your covered product can't be fixed.
- **Discount of 25%** from regular price of service and service-related parts not covered by the agreement; also, 25% off regular price of preventive maintenance check.
- **Fast help by phone** – phone support from a Sears representative on products requiring in-home repair, plus convenient repair scheduling.

Once you purchase the Agreement, a simple phone call is all that it takes for you to schedule service. You can call anytime day or night, or schedule a service appointment online.

Sears has over 12,000 professional repair specialists, who have access to over 4.5 million quality parts and accessories. That's the kind of professionalism you can count on to help prolong the life of your new purchase for years to come. Purchase your Repair Protection Agreement today!

Some limitations and exclusions apply.

For prices and additional information call 1-800-827-6655.

SEARS INSTALLATION SERVICE

For Sears professional installation of home appliances, garage door openers, water heaters, and other major home items, in the U.S.A. call **1-800-4-MY-HOME®**.

TRACTOR - - MODEL NUMBER 917.203850

KOHL ENGINE-MODEL NUMBER SV591-3217

KEY PART NO. NO.

DESCRIPTION

IGNITION/CHARGING GROUP

1	20 162 02-S	SCREEN, GRASS
2	25 086 362-S	SCREW, HEX FLANGE
3	20 146 05-S	PLATE, FAN MOUNTING
4	20 157 01-S	FAN
6	25 340 04-S	KEY, SQUARE
7	25 086 402-S	SCREW, THREAD FORMING
11	237878-S	KIT, 15 / 20 AMP STATOR
12	25 155 41-S	CONNECTOR
13	25 086 399-S	SCREW, THREAD FORMING
14	41 403 10-S	REGULATOR/RECTIFIER
15	20 154 04-S	CLIP, WIRE
17	25 132 12-S	PLUG, SPARK (PRO SERIES)
19	20 025 44-S	FLYWHEEL ASSEMBLY
20	20 584 03-S	MODULE, IGNITION (CDI FIXED)
26	25 468 09-S	WASHER, FLAT
--	20 176 20-S	HARNES, WIRING
--	25 454 05-S	TIE

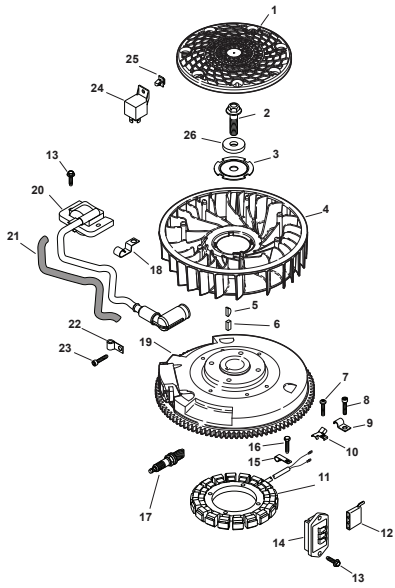
KEY PART NO. NO.

DESCRIPTION

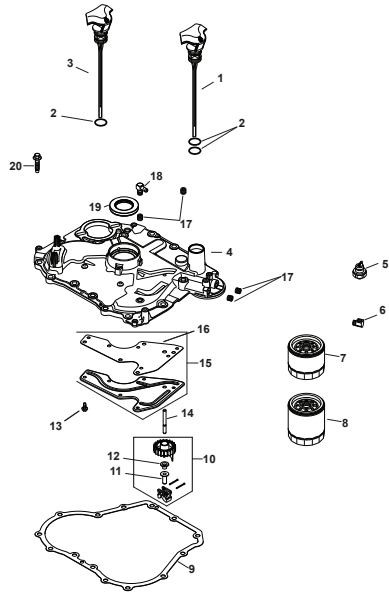
LUBRICATION GROUP

2	25 153 09-S	O-RING
3	20 040 08-S	BLADE, DIPSTICK ASSEMBLY
4	20 009 35-S	PLATE, CLOSURE ASSEMBLY
8	52 050 02-S	OIL FILTER
8	25 050 25-S	OIL FILTER USE 52 050 02-S
9	20 041 21-S	GASKET, CLOSURE PLATE
10	25 310 07-S	KIT, GOVR GEAR ASSY - (#2531008S)
11	12 380 01-S	PIN, GOVERNOR REGULATING
12	62 380 02-S	PIN, GOVERNOR REGULATING
13	M-545013-S	SCREW, FLG THD FRM M5X0.8X13
14	20 144 03-S	SHAFT, GOVERNOR CROSS
15	20 096 21-S	KIT, OIL PASSAGE COVER
16	20 041 19-S	GASKET, OIL PASSAGE
17	25 139 60-S	PLUG, CTSK PIPE 1/8"
19	20 032 08-S	SEAL, OIL
20	25 086 421-S	SCREW, HEX FLANGE

IGNITION/CHARGING GROUP
SV470, 471, 480, 530, 540, 541,
590, 591, 600, 601, 610, 620

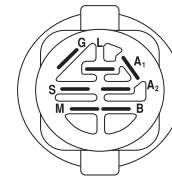
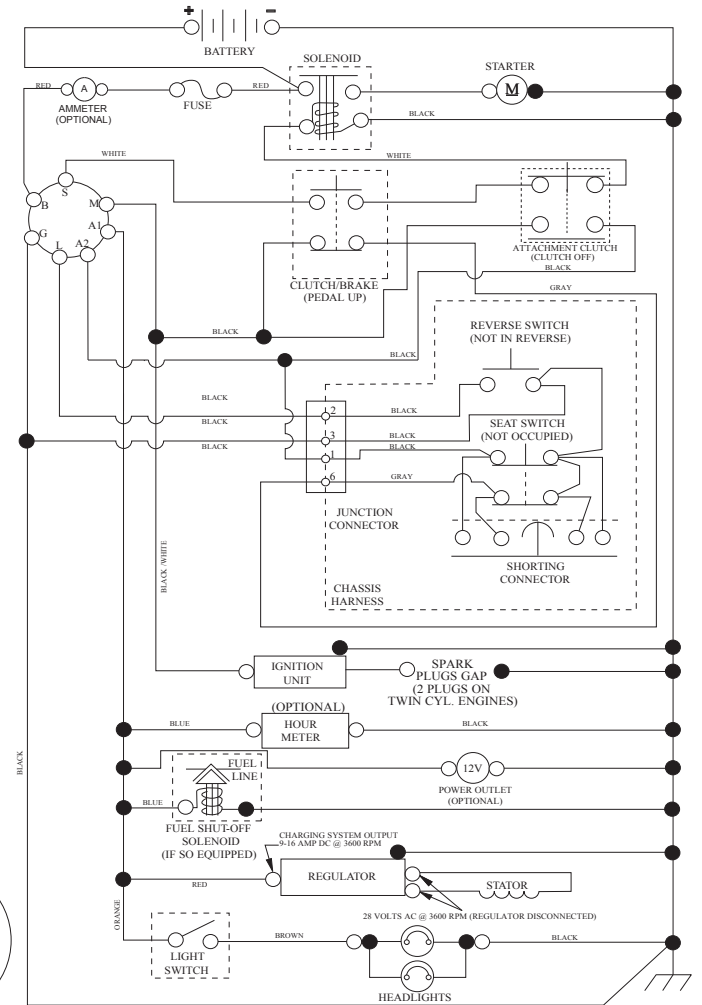


LUBRICATION GROUP
SV470, 471, 480, 530, 540, 541,
590, 591, 600, 601, 610, 620



ILLUSTRATIONS ARE REPRESENTATIVE AND ARE NOT INTENDED TO SHOW ALL DETAILS FOR EACH COMPONENT

SCH10



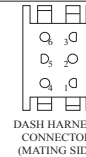
IGNITION SWITCH

POSITION	CIRCUIT	"MAKE"
OFF	M+G+A1	
RUN/OVERRIDE	B+A1	
RUN	B+A1	L+A2
START	B + S + A1	

03107



CHASSIS HARNESS CONNECTOR (MATING SIDE)



DASH HARNESS CONNECTOR (MATING SIDE)

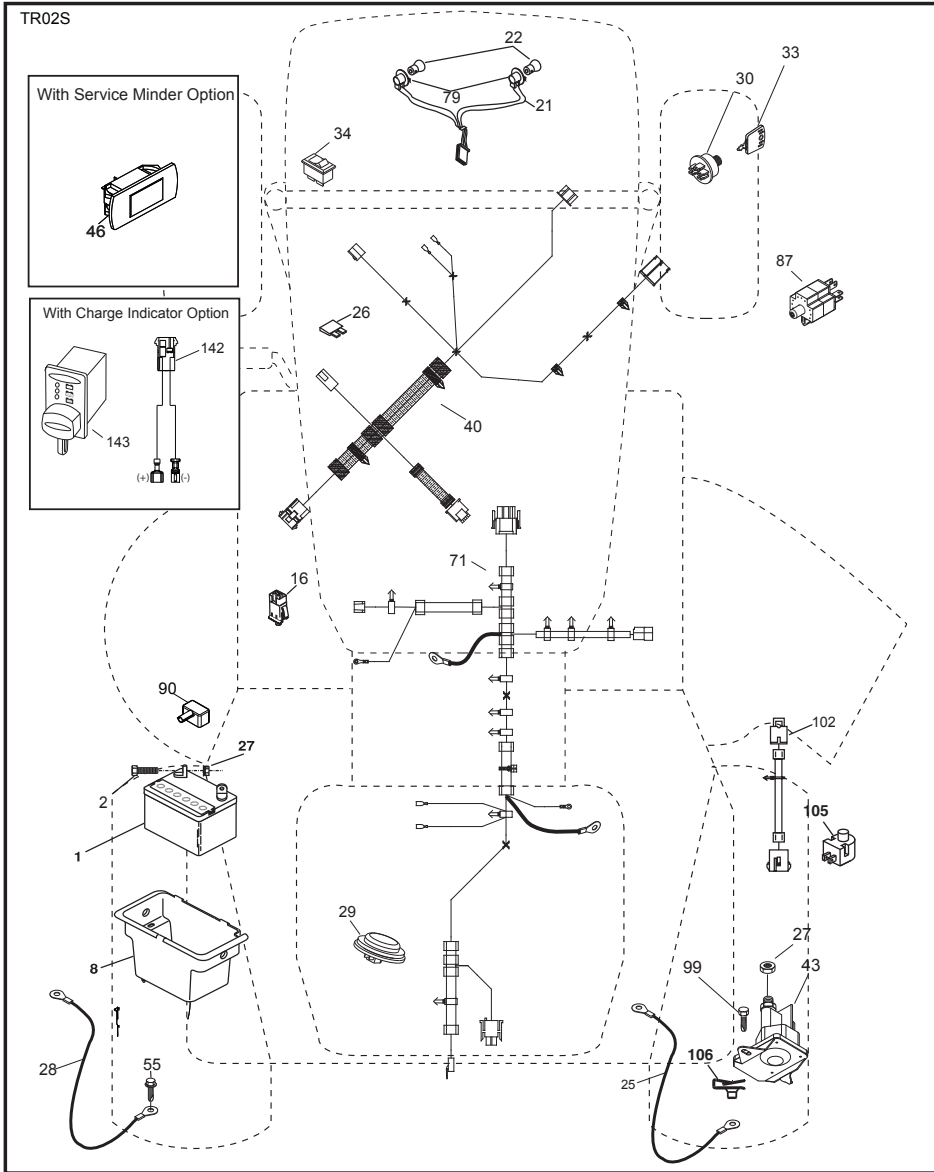
WIRING INSULATED CLIPS
NOTE: IF WIRING INSULATED CLIPS WERE REMOVED FOR SERVICING OF UNIT, THEY SHOULD BE RE-INSTALLED TO PROPERLY SECURE YOUR WIRING.

NON-REMOVABLE CONNECTIONS

REMOVABLE CONNECTIONS

TRACTOR - - MODEL NUMBER 917.203850

ELECTRICAL



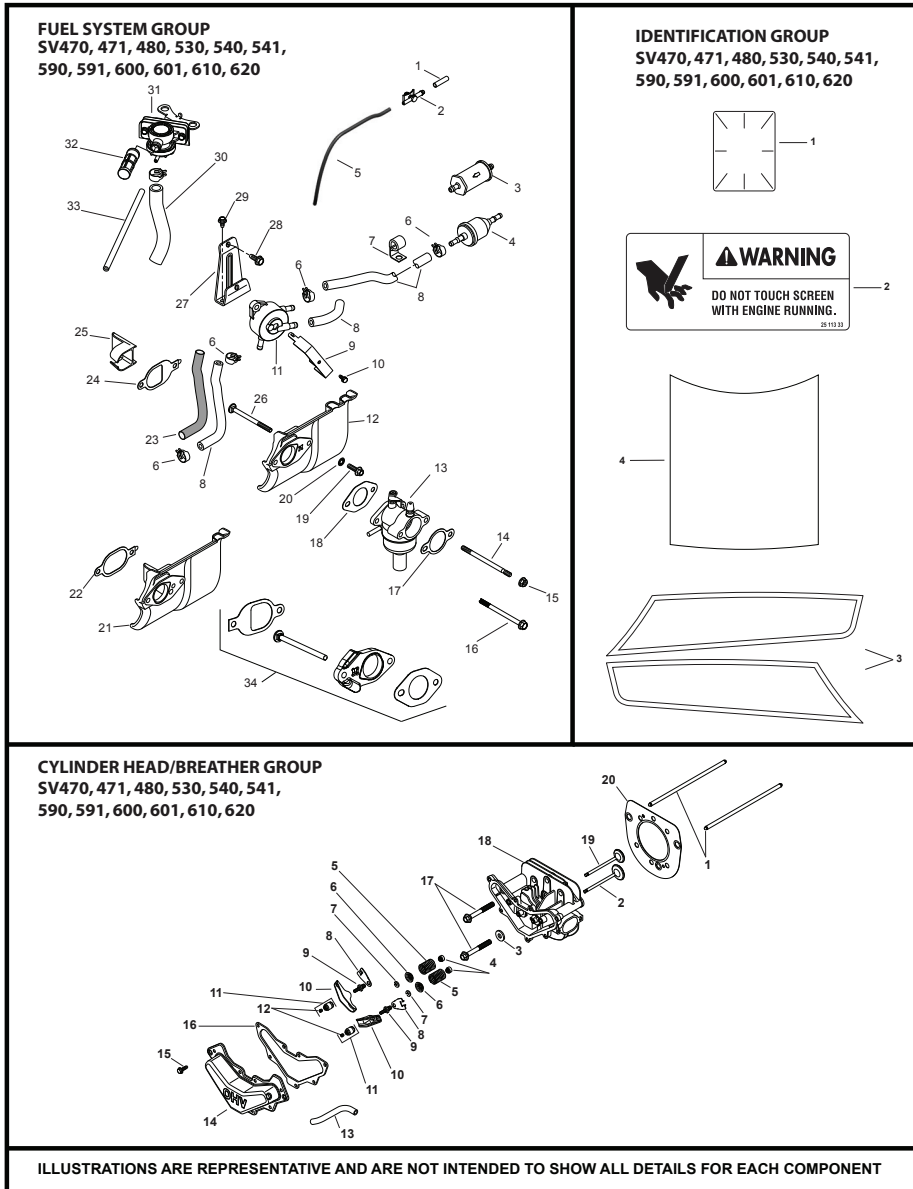
TRACTOR - - MODEL NUMBER 917.203850

KOHL ENGINE-MODEL NUMBER SV591-3217

KEY PART NO. NO.	DESCRIPTION
FUEL SYSTEM GROUP	
1	25 173 33-S CAP, MASKING
2	25 155 51-S CONNECTOR, EVAPORATIVE
4	25 050 21-S FILTR,FUEL 75 MICRON (GRAVITY FEED)
5	25 326 28-S HOSE, EVAPORATIVE
6	25 237 14-S CLAMP, HOSE (KM)-USE 25 237 31-S
8	25 111 34-S HOSE,LW PERM.FUEL 24.00"-USE 25 111 81-S
13	20 853 88-S KIT, CARBURETOR
14	20 072 10-S STUD
15	M-641060-S NUT, FLG M6X1.0
18	12 041 01-S GASKET, CARBURETOR
19	M-651020-S SCREW, FLG M6x1.0x20
20	X-22-11-S WASHER, INT TOOTH LOCK 1/4"
24	20 041 18-S GASKET, HEAT DEFLECTOR
34	20 112 08-S KIT, CARBURETOR SPACER 20 314 08-S SHIELD, HEAT 20 518 04-S LEAD, JUMPER 25 454 05-S TIE

KEY PART NO. NO.	DESCRIPTION
CYLINDER HEAD/BREATHER GROUP	
1	20 411 05-S ROD, PUSH
2	20 017 01-S VALVE, INTAKE
3	12 468 05-S WASHER, FLAT 13/32"
4	20 032 10-S SEAL, VALVE STEM
5	20 089 03-S SPRING, VALVE
6	20 173 01-S CAP, VALVE SPRING
7	20 062 01-S LOCK, RETAINER
8	20 146 03-S PLATE, PUSH ROD GUIDE
9	20 072 08-S STUD, ROCKER
10	20 186 01-S ARM, ROCKER
11	20 599 04-S ROCKER PIVOT ASSEMBLY
12	20 086 04-S SCREW, SET
13	20 326 20-S HOSE, BREATHER
14	20 096 23-S COVER ASSY, VALVE - USE 20 096 25-S
15	25 086 396-S SCREW, THREAD FORMING
16	20 041 13-S GASKET, VALVE COVER
17	20 086 02-S SCREW, CYLINDER HEAD (M10 X 80)
18	20 318 14-S KIT, CYLINDER HEAD
19	20 016 01-S VALVE, EXHAUST
20	20 841 01-S KIT, CYLINDER HEAD GASKET 20 755 38-S KIT, CYLINDER HEAD HARDWARE

KEY PART NO. NO.	DESCRIPTION
IDENTIFICATION GROUP	
1	25 113 70-S LABEL, CLEAR LAMINATION
4	20 113 86-S LABEL, 19 HP (SV591) COURAGE

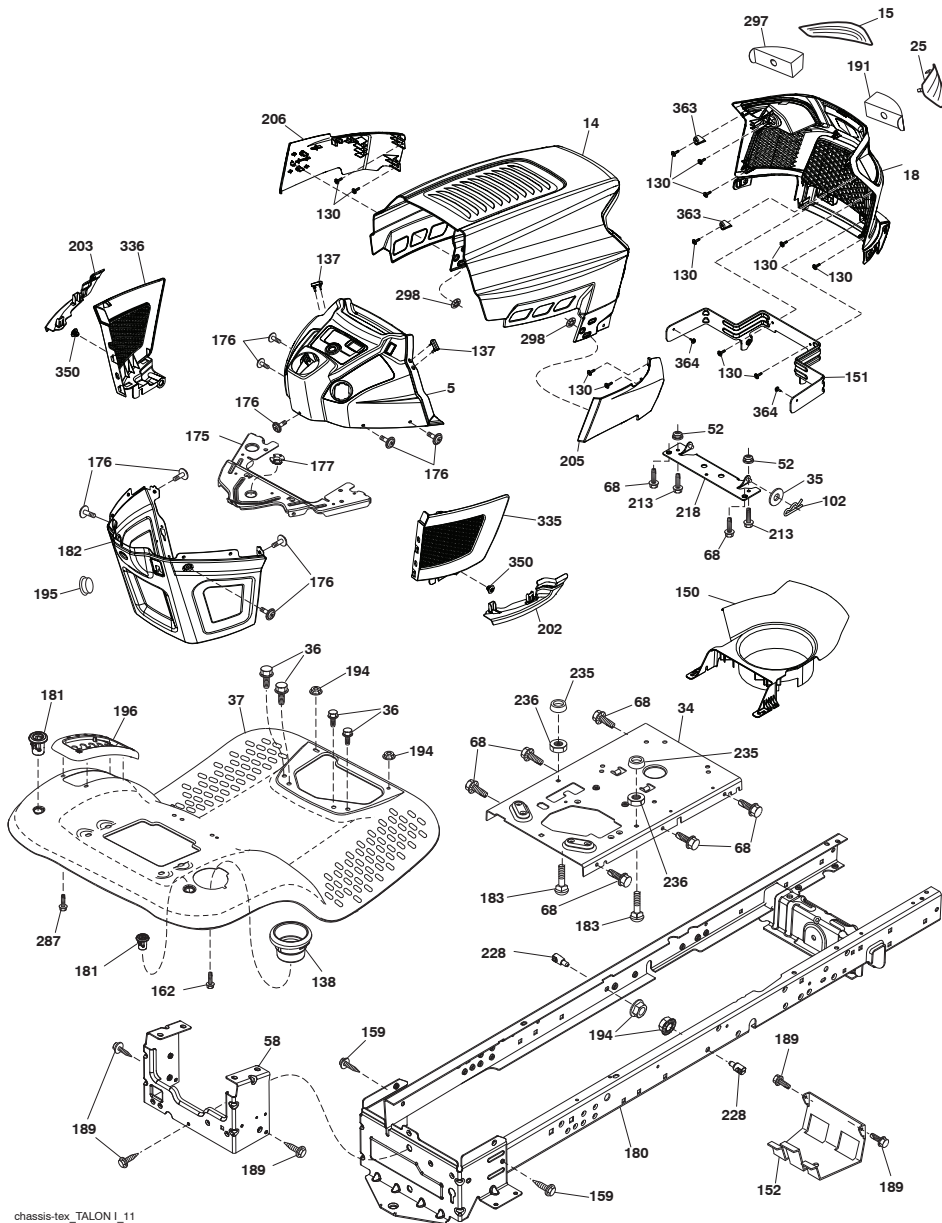


KEY PART NO.	NO.	DESCRIPTION
1	163465	Battery
2	74760412	Bolt Hex Hd 1/4-20 unc x 3/4
8	193228	Box Battery
16	176138	Switch Interlock Push-In
21	400252	Harness Socket Light w/4152J
22	4152J	Bulb Light
25	581498001	Cable Starter
26	175158	Fuse
27	73510400	Nut Keps Hex 1/4-20 unc
28	421686	Cable, Ground
29	401545	Switch, Seat
30	193350	Switch, Ign
33	411932	Key/Chain
34	110712X	Switch Light / Reset
40	581023101	Harness Ign. Dash
43	192507	Solenoid
55	17060512	Screw Thdrol 5/16-18 x 3/4 TYTT
71	581023001	Harness Ign. Chassis
79	175242	Bulbholder Asm. Incan Descent
87	197802	Switch Interlock Clutch Cable
90	435395	Cover Terminal Battery
99	17670412	Screw
102	581901601	Harness Pigtail
105	407568	Switch Reverse
106	174814	Palnut

NOTE: All component dimensions given in U.S. inches
1 inch = 25.4 mm

TRACTOR -- MODEL NUMBER 917.203850

CHASSIS ASSEMBLY



chassis-tex_TALON L_11

TRACTOR -- MODEL NUMBER 917.203850

KOHL ENGINE-MODEL NUMBER SV591-3217

**KEY PART
NO. NO.**

DESCRIPTION

CRANKCASE GROUP

- 1 20 044 32-S KIT, ACR WEIGHT AND FOL-
LOWER
- 2 20 468 03-S WASHER, THRUST -ACR
- 3 20 010 22-S CAM GEAR ASSEMBLY,
INTAKE
- 4 20 144 02-S SHAFT, GOVERNOR CROSS
- 5 M-631015-S WASHER, FLAT 6 MM
- 6 X-25-102-S WASHER, FLAT 1/4"
- 7 12 154 05-S CLIP, HITCH PIN
- 9 20 086 12-S SCREW, SHD THD FRM
- 8 20 393 02-S KIT, OIL PUMP ASSEMBLY
- 12 20 086 06-S SCREW, SHD THD FRM
M6X1X26
- 16 25 139 57-S PLUG, SQ HD PIPE 3/8"
- 19 20 067 05-S ROD, CONNECTING ASSEM-
BLY
- 20 20 032 08-S SEAL, OIL
- 23 62 018 04-S RETAINER, PISTON PIN
- 24 20 874 16-S KIT, PISTON,RINGS & PIN
ASSY 94mm BORE
- 25 20 108 04-S RING SET (94MM)
- 27 20 090 12-S KIT, CAM LEVER
- 29 20 123 02-S TUBE, DRAINBACK
- 30 20 468 08-S WASHER, THRUST
- 31 20 144 11-S KIT,CAM CENTER SHAFT
(EXHAUST)
- 32 20 010 23-S CAM GEAR ASSEMBLY,
EXHAUST
- 33 20 089 06-S SPRING, ACR

**KEY PART
NO. NO.**

DESCRIPTION

CRANKSHAFT GROUP

- 1 20 014 47-S CRANKSHAFT ASSEMBLY
- 2 25 139 27-S PLUG, CUP
- 4 X-42-15-S KEY, 3/16" X 5/8"
- 5 20 043 15-S GEAR, CRANKSHAFT
- 6 25 086 214-S SCREW, LINK PIVOT
- 7 20 186 06-S LINKAGE, BALANCE WEIGHT
- 8 25 086 213-S SCREW, SHOULDER

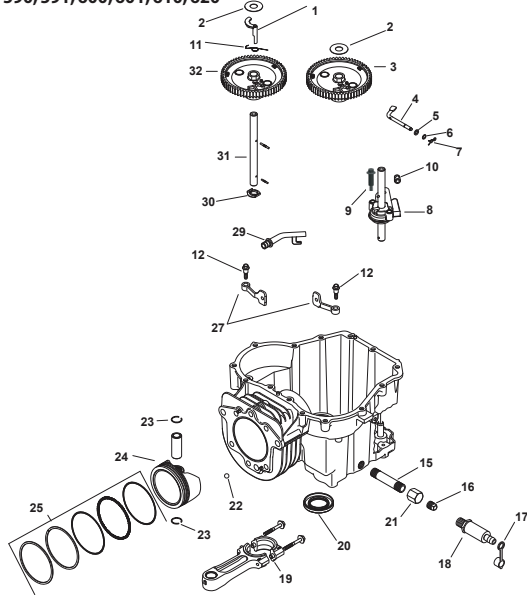
**KEY PART
NO. NO.**

DESCRIPTION

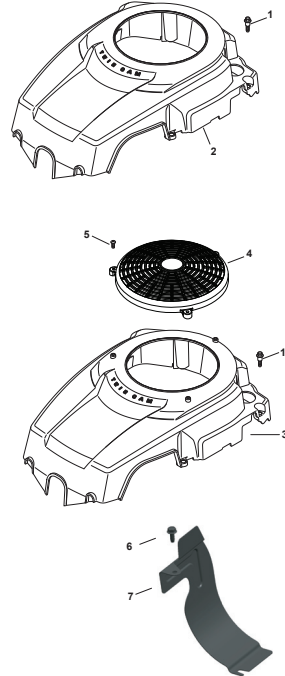
BLOWER HOUSING GROUP

- 1 20 086 06-S SCREW, SHD THD FRM M6X1X26
- 2 20 027 13-S HOUSING, BLOWER
- 6 25 086 397-S SCREW, THREAD FORMING
- 7 20 063 03-S BAFFLE, BARREL

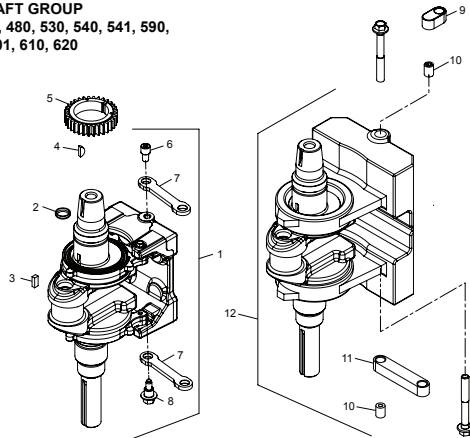
CRANKCASE GROUP
SV470, 471, 480, 530, 540, 541,
590, 591, 600, 601, 610, 620



BLOWER HOUSING GROUP
SV470, 471, 480, 530, 540, 541,
590, 591, 600, 601, 610, 620



CRANKSHAFT GROUP
SV470, 471, 480, 530, 540, 541, 590,
591, 600, 601, 610, 620



ILLUSTRATIONS ARE REPRESENTATIVE AND ARE NOT INTENDED TO SHOW ALL DETAILS FOR EACH COMPONENT

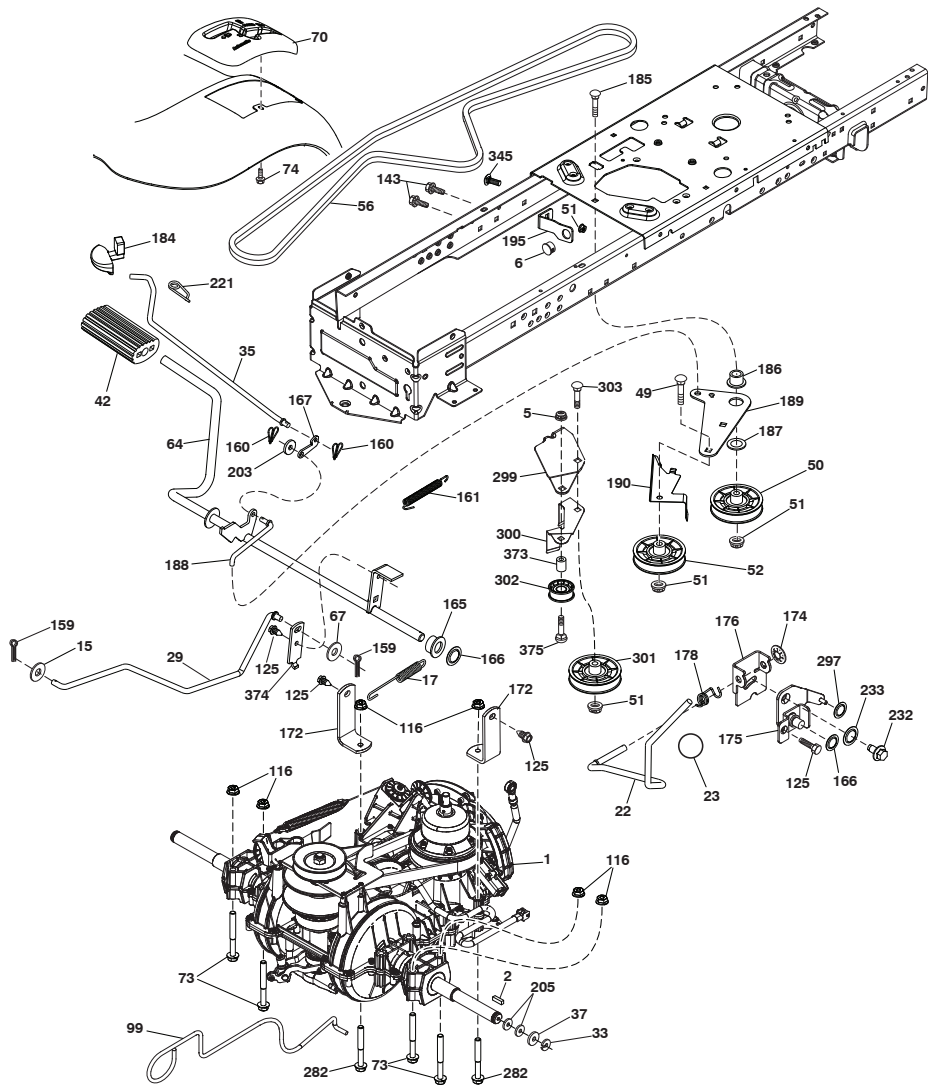
**KEY PART
NO. NO.**

DESCRIPTION

5	580485803	Dash
14	580354403	Hood
15	580485601	Lens LH
18	580485302	Grille
25	580484501	Lens RH
34	580910801	Plate engine
35	191111116	Washer 11/32 x 11/16 x 16 Ga.
36	17060512	Screw 5/16-18 x 3/4
37	414872X615	Fender
52	73680500	Nut Crown lock 5/16-18
58	412280	Drawbar upper
68	17490508	Screw Thdrol 5/16-18 x 1/2
102	4497H	Retainer Spring 1"
130	416358	Screw # 10 x .750 BOS Thread
137	407590	Bumper Dash
138	193224X428	Cupholder
150	580485502	Duct Heat Hood
151	580663302	Bracket Pivot
152	199535	Shield Browning/Debris
159	17000612	Screw Hexwsh Thdrol 3/8-16 x 3/4
162	142432	Screw Hex Wsh Hi-Lo 1/4 x 1/2
175	196304	Crossmember
176	400776	Screw 10-24 x 5/8 Wshd Qdrx
177	195227	Bushing Steering
180	415063	Chassis
181	193102X428	Bushing Mtg. Fender Crgo.
182	586738602	Dash Lower
183	74520520	Bolt 5/16-18 x 1-1/4
189	17000512	Screw 5/16-18 x 3/4
191	580485101	Mylar Headlight RH
194	73900500	Nut Lock Hex Flange 5/16-18
195	401556X428	Plug Hole Dash 12V Adapter
196	414579	Console Asm. Deck Lift
202	580485001	C-Closeout Lwr Trm RH
203	580484801	C-Closeout Lwr Trm LH
205	580843706	Assembly Corner RH
206	580843806	Assembly Corner LH
213	74760512	Bolt hex HD 5/16-18 unc x 3/4
218	580897301	Pivot Hood Assy
228	195161	Stud Fastener
235	406129	Spacer Fender
236	73930500	Nut Center Lock 5/16-18
287	17600406	Screw Hex Washead 1/4-20 x 3/8
297	580484901	Mylar Headlights LH
298	580851001	Nut Push
335	580484602	C-Side Closeout RH
336	580484402	C-Side Closeout LH
350	445143	Clip X-Mass Tree
363	580724501	Cap Talon Grille
364	17060408	Screw
---	404951X428	Plug Dash SRVMNDR

NOTE: All component dimensions given in U.S. inches
1 inch = 25.4 mm

TRACTOR - - MODEL NUMBER 917.203850
GROUND DRIVE



drive-tex_VATR_18

TRACTOR - - MODEL NUMBER 917.203850
KOHL ENGINE-MODEL NUMBER SV591-3217

KEY PART NO. NO.	DESCRIPTION
AIR INTAKE GROUP	
1	25 173 33-S CAP, MASKING
2	25 155 51-S CONNECTOR, EVAPORATIVE
3	25 326 28-S HOSE, EVAPORATIVE
4	20 094 11-S KIT, AIR CLEANER BASE
7	20 096 15-S KIT, AIR CLEANER COVER
8	25 341 04-S KNOB, COVER
10	20 083 06-S AIR CLEANER ELEMENT
11	20 072 04-S STUD, AIR CLEANER BASE
12	12 041 02-S GASKET, AIR CLEANER BASE
--	54 755 01-S KIT, KNOB W/SEAL

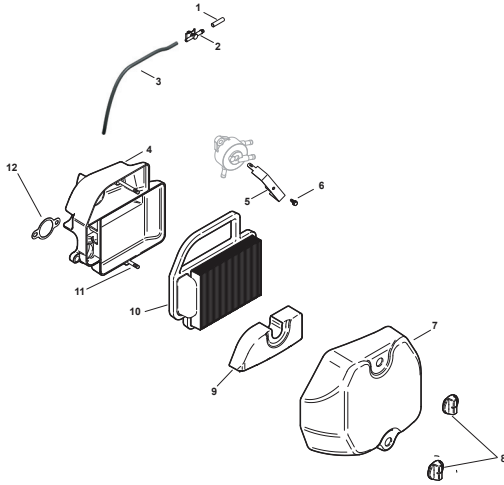
KEY PART NO. NO.	DESCRIPTION
ENGINE CONTROLS GROUP	
1	20 536 06-S KIT, SPEED CONTROL ASSEMBLY
2	12 237 01-S CLAMP, CABLE
3	25 086 398-S SCREW, THREAD FORMING
5	25 086 297-S KIT, IDLE ADJ SCREW & SPRING
7	M-664020-S SCREW, LBD SKT M6x1.0x20- (#25086403S)
8	20 079 05-S LINKAGE, CHOKE
9	20 089 11-S SPRING, GOVERNOR
10	X-22-11-S WASHER, TOOTH LOCK 1/4"
11	12 100 07-S NUT, FLANGE 1/4-20
12	20 089 10-S SPRING, LINKAGE
13	25 158 08-S BUSHING, LINKAGE RETAINING
14	20 079 07-S LINKAGE, THROTTLE
15	25 158 11-S BUSHING, THROTTLE LINKAGE
16	20 090 11-S LEVER, GOVERNOR ASSEMBLY
17	20 090 02-S LEVER, GOVERNOR
18	USE 20 090 11-S
18	52 211 04-S BOLT, RD HD SQ NCK 1/4-20X1"
19	20 086 18-S SCREW, PHL THD FRM M4X0.7X38
20	20 086 10-S SCREW, PHL THD FRM M4X0.7X25
21	12 089 11-S SPRING, SPEED CONTROL (SHORT)
22	20 089 12-S SPRING, SPEED CONTROL (LONG)

KEY PART NO. NO.	DESCRIPTION
STARTING GROUP	
1	25 100 56-S NUT, HEX FLANGE LOCK (10-24)
4	20 098 10-S ELECTRIC STARTER-BENDIX DRIVE
5	20 755 12-S KIT, DRIVE (J.E.) - (#DSC)
6	12 221 02-S BRUSH KIT
7	20 227 01-S CAP, DRIVE END (J.E.)
8	20 211 02-S BOLT, THRU

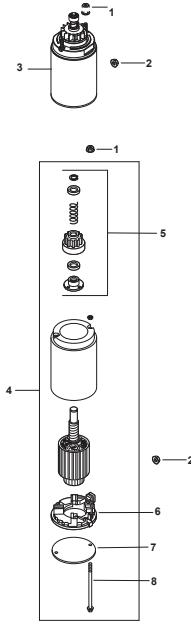
TRACTOR - - MODEL NUMBER 917.203850

KOHL ENGINE-MODEL NUMBER SV591-3217

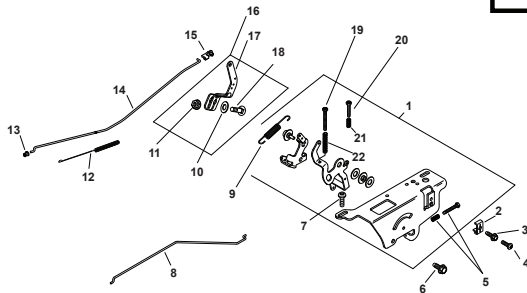
**AIR INTAKE GROUP
SV470, 471, 480, 530, 540, 541,
590, 591, 600, 601, 610, 620**



**STARTING GROUP
SV470, 471, 480, 530, 540, 541,
590, 591, 600, 601, 610, 620**



**ENGINE CONTROLS GROUP
SV470, 471, 480, 530, 540, 541,
590, 591, 600, 601, 610, 620**



ILLUSTRATIONS ARE REPRESENTATIVE AND ARE NOT INTENDED TO SHOW ALL DETAILS FOR EACH COMPONENT

TRACTOR - - MODEL NUMBER 917.203850

GROUND DRIVE

**KEY PART
NO. NO.**

DESCRIPTION

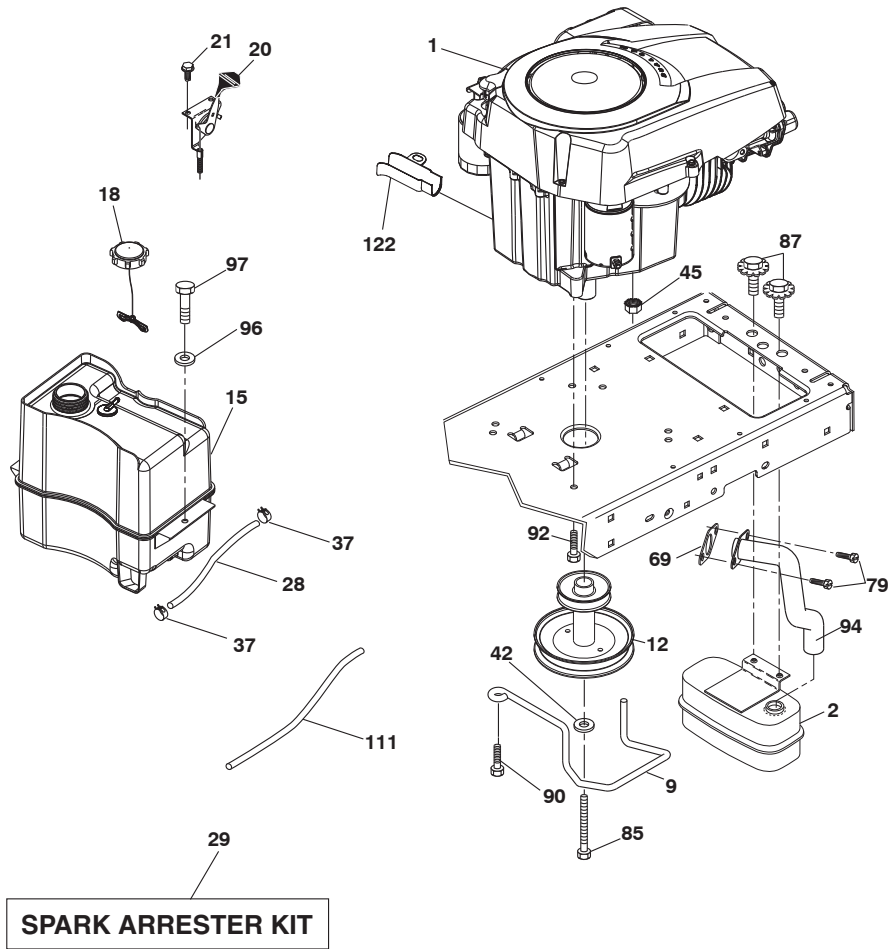
1	-----	Transaxle, Gentrans Variator (580486301)(Order parts from transaxle manufacturer.)
2	123583X	Key Square 2.0 x .1845/.1865
5	73680600	Nut Crownlock
6	124028X	Bushing Snap
15	19131316	Washer 13/32 x 13/16 x 16 Ga.
17	584954001	Spring Brake
22	421063	Rod Shift
23	140845	Knob
29	584823101	Rod Brake
33	12000001	E-Ring #5133-75
35	583864501	Rod Brake Parking
37	188967	Washer .793 x 1.637 x 060
42	8883R	Cover Pedal Blk. Round
49	72110614	Bolt 3/8-16 unc x 1-3/4.Gr 5
50	194327	Idler Flat
51	73900600	Nut, Hex, Flangelock 3/8-16
52	194326	Idler V-Groove
56	197253	Belt Drive 100.97"
64	580401501	Shaft Asm Pedal Brake Control
67	19131312	Washer 13/32 x 13/16 x 12 Ga.
70	415688X428	Console
73	74490544	Bolt Hex Flghd 5/16-18 Gr.5
74	142432	Screw Hex.Wsh.1/4 X 1/2 unc
99	435935	Rod Bypass
116	73900500	Nut, Lock Hex Flange 5/16-18
125	17000512	Screw 5/16-18 x 3/4 Smgml.
143	17490508	Screw Thdrol 5/16-18 x 1/2 Tytt
159	76020412	Pin Cotter 1/8 x 3/4
160	169484	Retainer Clip(M) Dia. 290
161	105709X	Spring Return Clutch 6.75
165	196212	Bushing Shaft Brake Hand
166	429164	Nut Push .625
167	405257	Latch Brake Parking
172	583974201	Strap Torque LH/RH

**KEY PART
NO. NO.**

DESCRIPTION

174	197289	Nut Push .500
175	415677	Shaft Asm Shift
176	196214	Arm Clevis Rod Shift
178	197456	Spring Shift Gt 2006
184	196439X667	Handle Parking Brake .505
185	72110622	Bolt 3/8-16 Unc x 2-3/4 Gr. 5
186	194321	Spacer Retainer
187	19133210	Washer 13/32 x 2 x 10 Ga.
188	194323	Link. Clutch Ground Drive
189	194317	Bellcrank Groundrive Nstg/Nstl
190	194318	Keeper Bellcrank Drive Ground
195	581504601	Bracket Brake
203	19111116	Washer 11/32 x 11/16 x 16 Ga.
205	121748X	Washer 25/32 x 1-5/8 x 16 Ga.
221	403187	Retainer Spring Clip Handle
232	74780716	Bolt Fin Hex 7/16-14 x 1 Gr5
233	405296	Washer Serrated
282	74490548	Screw Thdrol 5/16-18 x 3
297	420223	Nut Push 1/4
299	415683	Bracket Mount Idler
300	415681	Keeper Idler Rear
301	415680	Pulley Idler V-Groove
302	581420501	Pulley Idler Flat 2.0 Od
303	72110618	Bolt Rdhd Sgnk 3/8-16 x 2-1/4
345	72110606	Bolt Rdhd Sqnk 3/16 x 1 Gr. 5
373	581461801	Spacer Idler
374	581475201	Arm Control Brake
375	74760636	Bolt Hex

NOTE: All component dimensions given in U.S. inches
1 inch = 25.4 mm



SPARK ARRESTER KIT

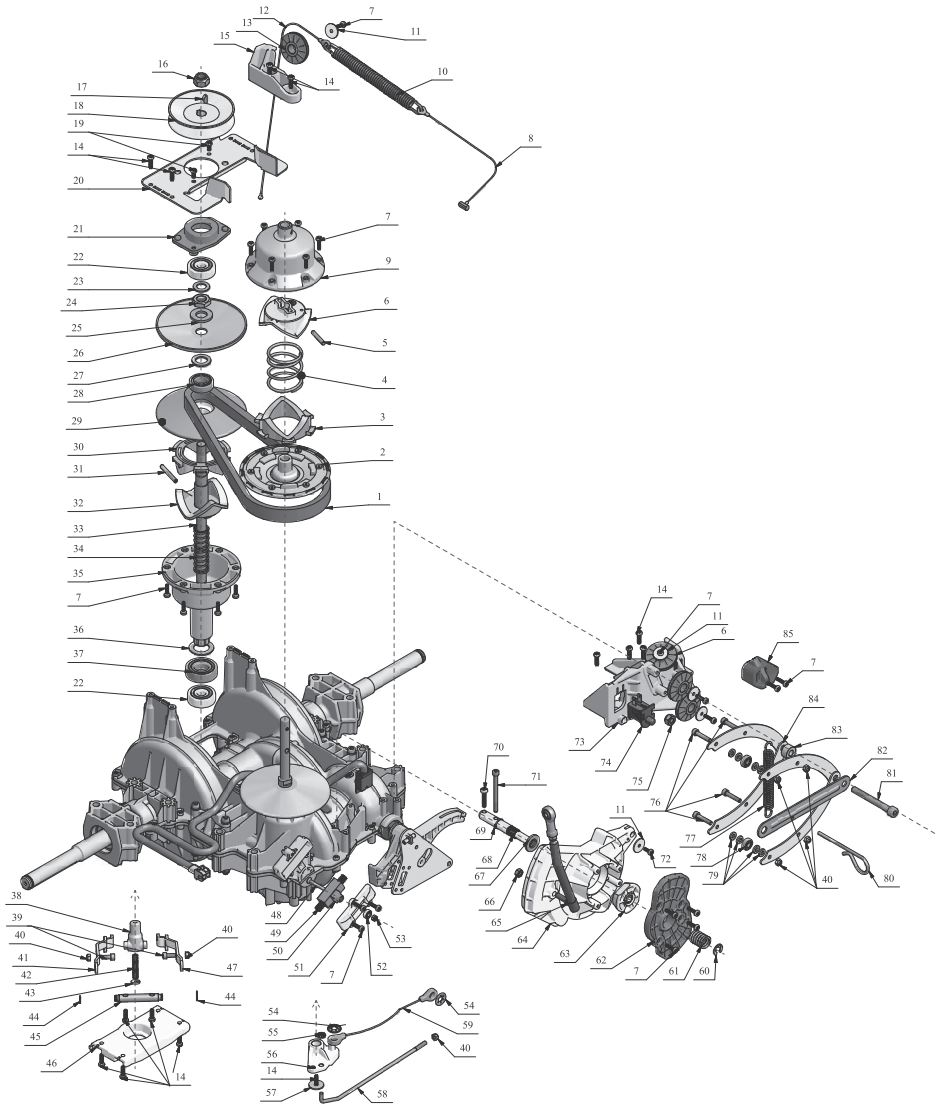
engine-tex_Kohl_57

KEY NO.	PART NO.	DESCRIPTION	KEY NO.	PART NO.	DESCRIPTION
1	426740	Belt	45	426789	Axle
2	426739	Flange	46	426788	Inferior plate
3	426738	Ramp	47	426787	Lever
4	426737	Spring	48	426786	Screw M4 (0.7Nm)
5	426736	Pin	49	426785	Spring
6	426735	Fixed ramp	50	426784	Inversion axle
7	426734	Screw 4x16 (torque 2.2Nm)	51	426783	Cover
8	426733	Cable	52	426782	Ball bearing 604.2RS
9	426732	Cap	53	426781	Nut M4
10	426731	Spring	54	426780	Starlock Ø8
11	426730	Washer	55	426779	Starlock Ø4
12	426729	Cable	56	426778	Lever
13	426728	Cable sheave	57	426777	Washer 5x20x1
14	426727	Screw 5x16 (torque 2.2Nm)	58	426776	Rod
15	426726	Support 1 sheave	59	426775	Cable
16	426725	Nut M12	60	426774	Clip
17	426724	Key 4x6.5	61	426773	Spring
18	426723	Pulley	62	426772	Cam
19	426722	Screw 5x10 (torque 2.2Nm)	63	426771	Cone
20	426721	Superior plate	64	426770	Cam
21	426720	Bushing	65	426769	Rod
22	426710	Ball bearing 6301.2RS	66	426768	Nut 1/4" (5Nm)
23	426709	Washer 13x22x1.5	67	426767	Washer 13x24x2,5
24	426708	Scerw M14x1.5	68	426766	Axle
25	426707	Washer 15.1x29.5x3	69	426765	Clip 12x1
26	426706	Flange Ø15.1	70	426763	Screw 5x25 (Torque 3.3Nm)
27	426704	Washer 15.7x25.3x2	71	426764	Screw M5x60 (Torque 3.3Nm)
28	426703	Ball bearing 6002.2RS	72	426762	Screw 4x10 (Torque 2.2Nm)
29	426702	Flange Ø17.7	73	426761	Support
30	426701	Mobile ramp 40°	74	426758	Switch
31	426700	Pin 5x40	75	426756	Nut M8
32	426699	Fixed ramp 40°	76	426755	Screw M5x25 (Torque 2.2Nm)
33	426698	Variator shaft	77	426754	Spring
34	426697	Variator Spring	78	426753	Ball bearing 625 2RS
35	426696	Cap	79	426752	Washer 5.3x10x1.7
36	426693	Washer 21x33x1.5	80	426751	Pin Ø4
37	426692	Ball bearing 6004 2RS	81	426750	Screw M8x70 (1.1m)
38	426691	Cable hook	82	426749	Plate
39	426690	Screw M5x12	83	426748	Spacer
40	426689	Nut M5	84	426747	Jaws
41	426687	Lever	85	426746	Snap-in
42	426686	Spring			
43	426791	Washer 3x11.7x2			
44	426790	Clips 8x0.8			

NOTE: All component dimensions given in U.S. inches
1 inch = 25.4 mm

TRACTOR - - MODEL NUMBER 917.203850

TUFFTORQ TRANSAXLE - MODEL NUMBER K46 BA



ENGINE

TRACTOR - - MODEL NUMBER 917.203850

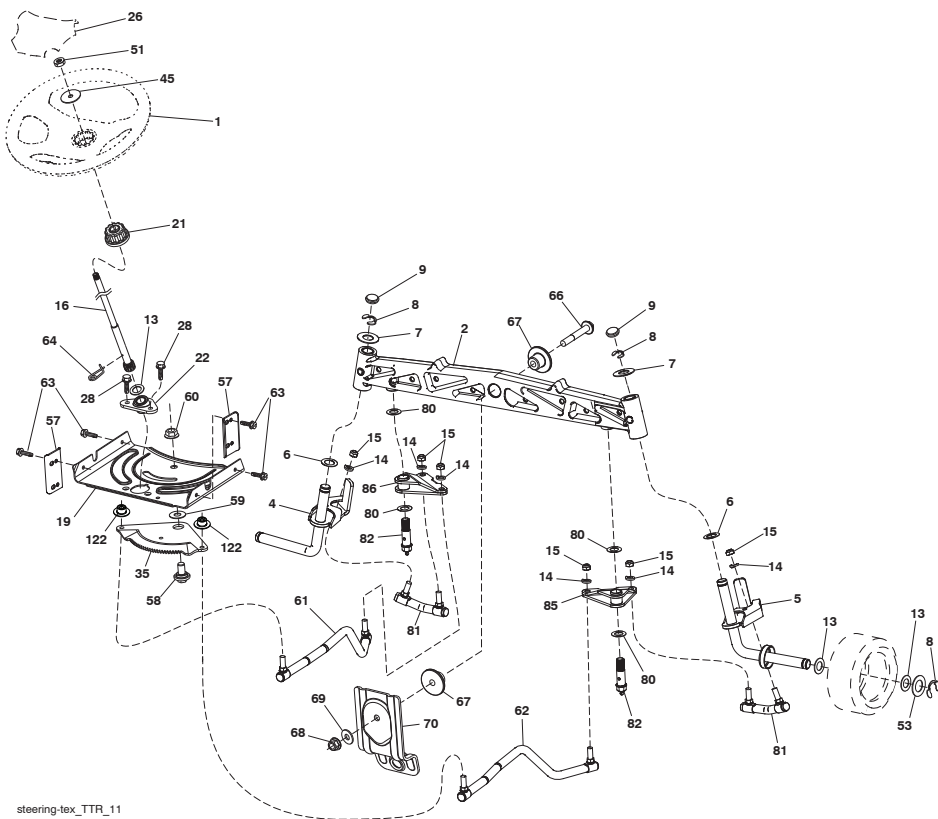
KEY PART
NO. NO.

DESCRIPTION

1	---	Engine Kohl Model No. SV591-3217 (586203301) (See engine breakdown.)
2	580532301	Muffler
9	584911601	Keeper Belt Engine
12	405140	Pulley Engine
15	433007	Tank Fuel
18	581176101	Cap Asm. Fuel
20	175438X428	Control Throttle/Choke
21	416358	Screw 10 x .750 BOS Thread
28	401137	Fuel Line
29	137180	Spark Arrester Kit
37	123487X	Clamp Hose
42	10040700	Washer Lock 7/16
45	73510400	Nut Keps Hex 1/4-20 unc
69	185909	Gasket
79	192334	Screw 5/16-18 x .75
85	173937	Bolt Hex 7/16-20 x 4 x Gr. 5-1.5
87	171877	Bolt 5/16-18 unc x 3/4 w/Sems
90	17000616	Screw 3/8-16 x 1.0
92	17120616	Screw 3/8-16 x 1
94	583955301	Exhaust Tube
96	19091416	Washer 9/32 x 7/8 x 16 Ga.
97	17670412	Screw 1/4-20 x 3/4
111	414119	Purge Line
122	421922	Extension Drain

NOTE: All component dimensions given in U.S. inches
1 inch = 25.4 mm

TRACTOR - - MODEL NUMBER 917.203850
STEERING ASSEMBLY



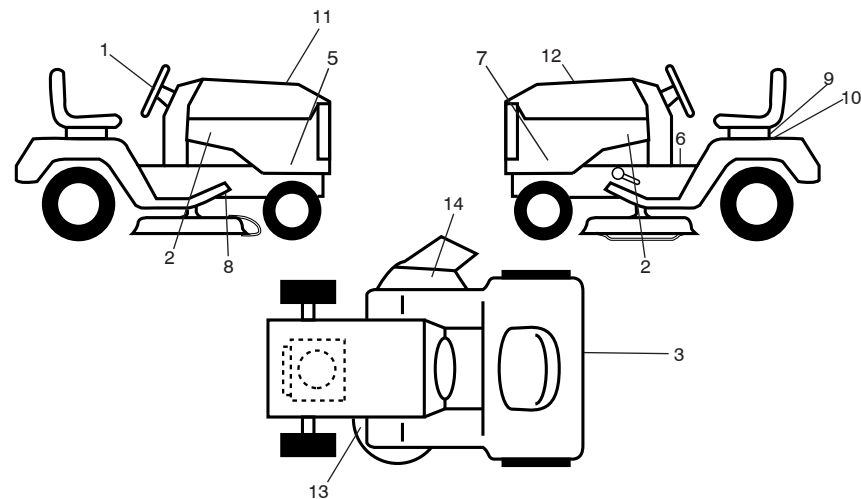
steering-tex_TTR_11

KEY PART NO.	NO.	DESCRIPTION
1	414803X428	Wheel, Steering
2	436870	Axle Asm., Front
4	436873	Spindle Asm., LH
5	436874	Spindle Asm., RH
6	6266H	Washer Thrust
7	121748X	Washer 25/32 x 1-5/8 x 16 Ga.
8	12000029	Ring, Klip #T5304-75
9	184946X667	Cap, Spindle
13	121749X	Washer 25/32 x 1-1/4 x 16 Ga.
14	10040600	Washer, Lock Hvy Hlcl Spr 3/8
15	73540600	Nut, Crown Lock 3/8-24 unf
16	440785	Shaft Steering
19	194729	Plate Steering
21	437747	Adapter, Wheel Steering
22	194845	Bushing, Supt. Lower
26	414852X428	Insert, Wheel Steering
28	17000612	Screw 3/8-16 x 3/4
35	440770	Gear, Sector Plate
45	19183812	Washer 9/16 x 2-3/8 x 12 Ga.
51	73940800	Nut Hex 1/2-20 unf
53	188967	WasherHardened.793x1.637x.060
57	407465	Bracket Upstop

KEY PART NO.	NO.	DESCRIPTION
58	194747	Bolt Shoulder Sector Pivot CFM
59	194748	Washer Thrust Sector Steering
60	73971000	Nut Flange Lock 5/8-11
61	436884	Draglink LH
62	436885	Draglink, RH
63	17000512	Screw 5/16-18 x 3/4
64	199849	Retainer Clip Spring Steering
66	71020748	Bolt Hex Fghd 7/16-14 x 3 Serr
67	194737	Bushing PM Front Axle
68	73900700	Nut Lock Flange 7/16-14 Gr. 5
69	199162	Washer 1.5 x .505 x .118
70	196197	Bracket Deck Susp. Front
80	1370H	Washer
81	436887	Link RH
82	442147	Pivot Bolt
85	441873	Pivot RH
86	441872	Pivot LH
122	444962	Cap Gear

NOTE: All component dimensions given in U.S. inches
 1 inch = 25.4 mm

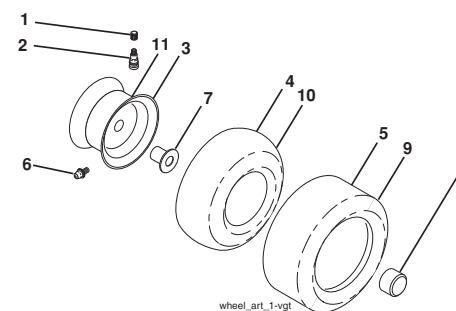
TRACTOR - - MODEL NUMBER 917.203850
DECALS



KEY PART NO.	NO.	DESCRIPTION
1	581894601	Decal, Steering
2	585767601	Decal, Hood
3	441121	Decal, Fender
5	586207601	Decal, Sideskirt RH
6	581578801	Decal, Fender Warning
7	586207602	Decal, Sideskirt LH
8	421534	Decal, V-Belt Schematic Drive
9	434996	Decal, Battery Warning
10	434995	Decal, Battery
11	586057101	Decal, Replacement
12	585571401	Decal, Warning Customer

KEY PART NO.	NO.	DESCRIPTION
13	581580001	Responsibility
14	584904601	Decal, Mower V-Belt SCH.
--	193226X428	Pad, Footrest LH
--	193227X428	Pad, Footrest RH
--	581724801	Decal, Bypass
--	586065796	Manual, Operator's English/Spanish
--	586065849	Manual, Parts

WHEELS & TIRES

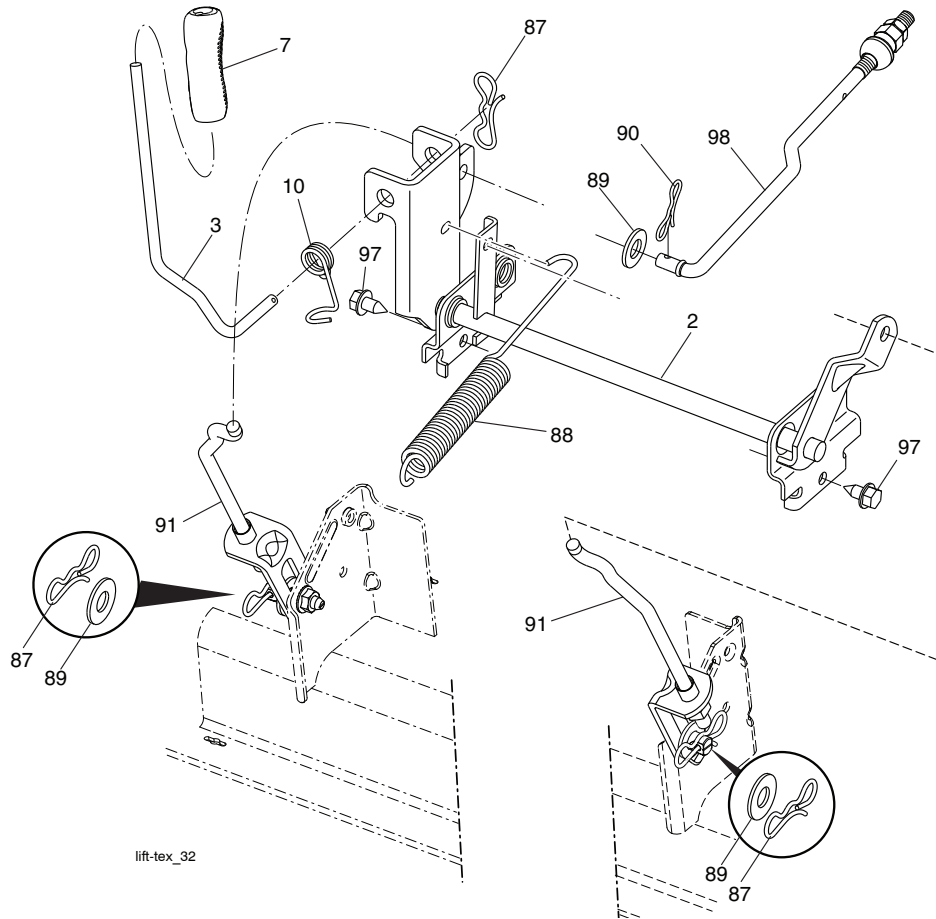


wheel_art_1-vgt

KEY PART NO.	NO.	DESCRIPTION
1	59192	Cap, Valve, Tire
2	65139	Stem, Valve
3	106732X613	Rim Assembly, Front
4	59904	Tube, Front
5	106222X	Tire, Front 15 x 6-6
6	278H	Fitting, Grease
7	9040H	Bearing, Flange
8	104757X428	Cap, Axle
9	138468	Tire, Rear 20 x 8-8
10	7152J	Tube, Rear
11	106108X613	Rim Assembly, Rear
--	144334	Sealant, Tire (10 oz. Tube)

NOTE: All component dimensions given in U.S. inches
 1 inch = 25.4 mm

TRACTOR - - MODEL NUMBER 917.203850
LIFT ASSEMBLY



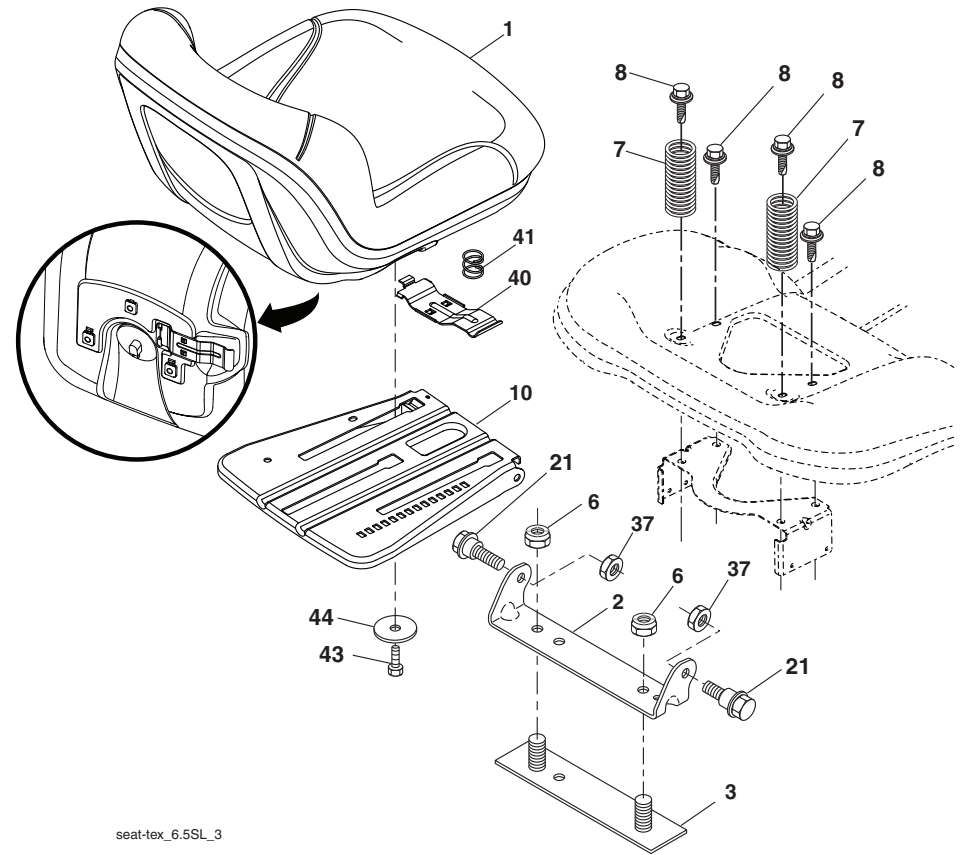
lift-tex_32

KEY PART NO.	NO.	DESCRIPTION
2	422027	Shaft Asm., Cross Lift
3	195231	Lever Asm., Lift RH
7	445060X428	Grip, Lever
10	196314	Spring Torsion
87	194209	Pin Cotter 7/16 Bow Tie Lock
88	410710	Spring Lift Assist
89	19191912	Washer Clear Zinc

KEY PART NO.	NO.	DESCRIPTION
90	194208	Pin Cotter 5/16 Bow Tie Lock
91	197984	Link Lift Susp Mower Rear
97	17000612	Screw 3/8-16 x .75
98	420525	Link Lift Susp. Front Mower

NOTE: All component dimensions given in U.S. inches
 1 inch = 25.4 mm

TRACTOR - - MODEL NUMBER 917.203850
SEAT ASSEMBLY



seat-tex_6.5SL_3

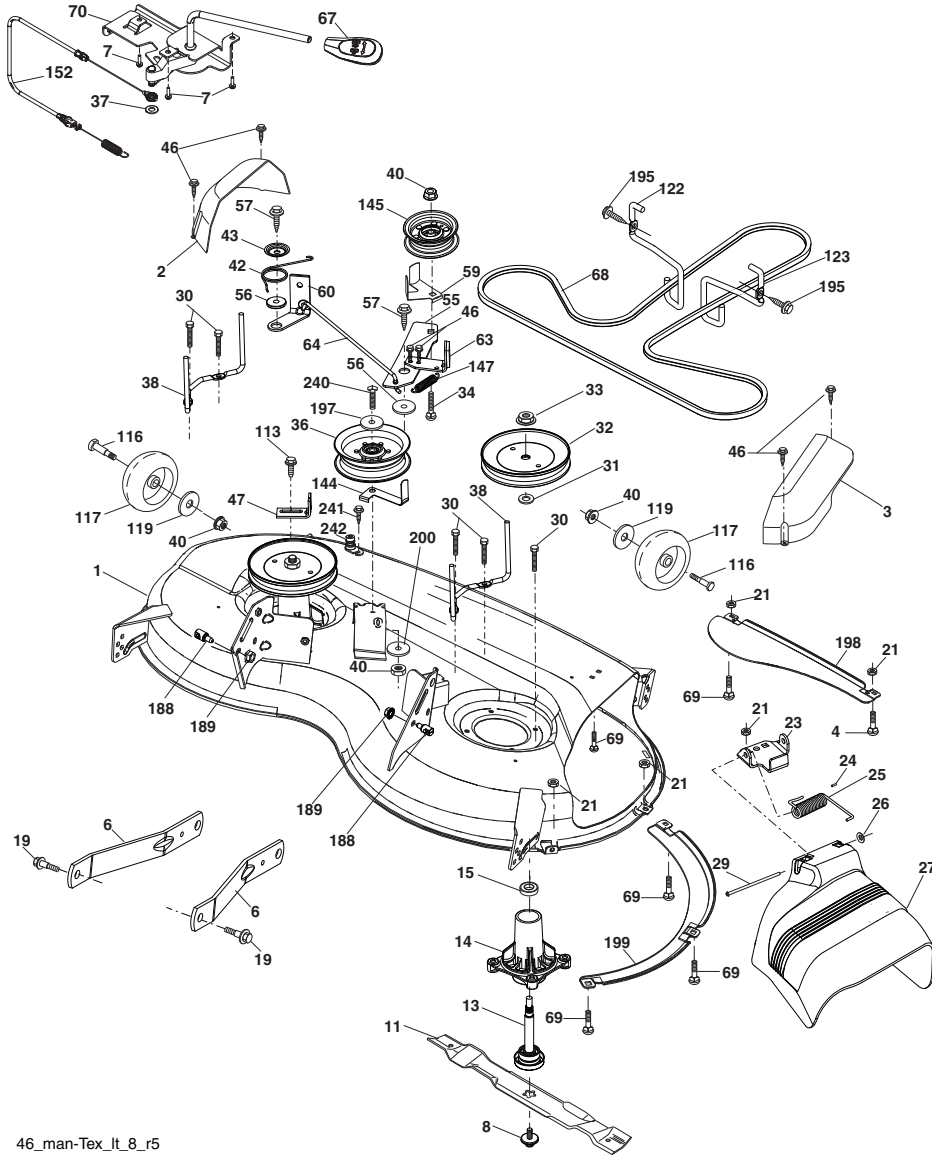
KEY PART NO.	NO.	DESCRIPTION
1	423645	Seat
2	180166	Bracket Pivot Fender
3	140675	Strap, Asm Fender
6	73800600	Nut, Lock W/Ins. 3/8-16 unc
7	124181X	Spring, Seat Cprsn
8	171877	Bolt 5/16-18 unc x 3/4 w/Sems
10	196977	Pan, Seat
21	171852	Bolt, Shoulder 5/16-18
37	73800500	Nut, Lock 5/16-18 unc

KEY PART NO.	NO.	DESCRIPTION
40	197661	Handle Slide Seat
41	198200	Spring Latch Seat
43	74760612	Bolt 3/8-16 x 3/4
44	19133812	Washer 13/32 x 2-3/8 x 12 Ga.

NOTE: All component dimensions given in U.S. inches
 1 inch = 25.4 mm

TRACTOR -- MODEL NUMBER 917.203850

MOWER DECK



46_man-Tex_It_8_r5

TRACTOR -- MODEL NUMBER 917.203850

MOWER DECK

KEY PART
NO. NO.

KEY PART NO.	NO.	DESCRIPTION
1	448126X615	Mower Housing
2	405507	Cover Mandrel LH
3	405506	Cover Mandrel RH
4	74760512	Bolt
6	195186	Arm Suspension
7	416358	Screw 10 x .750 BOS Thread
8	193003	Bolt/Washer Asm 7/16-20 unf
11	405380	Blade
13	192872	Shaft Assembly, Mandrel
14	187281	Housing, Mandrel
15	110485X	Bearing, Ball, Mandrel
19	196539	Bolt, Shoulder
21	73680500	Nut, Crownlock 5/16-18 unc
23	192557	Bracket, Deflector
24	105304X	Cap, Sleeve
25	197026	Spring, Torsion, Deflector
26	110452X	Nut, Push
27	405357	Shield, Deflector
29	131491	Rod, Hinge
30	173984	Screw Thdrol Rolling Wsh Hd
31	187690	Washer, Spacer
32	197473	Pulley, Mandrel
33	400234	Nut, Toplock, Flanged
34	72110612	Bolt Carr Sh. 3/8-16 x 1-1/2 Gr. 5
36	197379	Pulley Idler
37	19131316	Washer 13/32 x 13/16 x 16 Ga.
38	432520	Keeper Belt LH Mandrel
40	73900600	Nut, Lock Flg. 3/8-16 unc
42	198410	Spring Torsion Brake
43	197256	Spring Torsion Retainer
46	137729	Screw Thd Roll 1/4-20 x 5/8
47	197250	Bracket Clutch Cable
55	197249	Arm, Idler
56	199092	Spacer, Retainer
57	17000616	Screw Hexwsh Thd 3/8-16 x 1
59	141043	Guard, Tuv Idler (94)
60	199471	Arm Brake Mower
63	199477	Arm Brake Mower

KEY PART
NO. NO.

KEY PART NO.	NO.	DESCRIPTION
64	405138	Linkage Brake
67	198398X667	Handle, Clutch Cable
68	405143	V-Belt
69	72140505	Bolt Rdhd Sqnk 5/16-18 x 5/8
70	199972	Clutch Asm. Manual
113	17000510	Screw 5/16-18
116	4898H	Bolt, Shoulder
117	188606	Wheel, Gauge
119	19121414	Washer 13/32 x 7/8 x 14 Ga.
122	197258	Keeper Belt Eng. LH
123	197259	Keeper Belt Eng. RH
144	199204	Keeper Belt
145	193197	Pulley, Idler, Flat
147	401872	Spring Return
152	584243501	Cable Clutch Manual w/Spr.
188	195161	Stud Fastener
189	73900500	Nut Lock Hex Flange
195	17000612	Screw Hexwsh Thdr 3/8-16 x 3/4
197	19131312	Washer
198	403149	Baffle
199	403150	Baffle
200	413524	Washer
240	74520636	Bolt
241	152927	Screw
242	415598	Washout Port
--	416405	Quick Connect Coupling
--	432250	Replacement Mower, Complete
--	192870	Mandrel Assembly (Includes housing (key #14), shaft assembly (key #13), and bearing (key #15) only - pulley/nut/washer and blade bolt/washers not included)

NOTE: All component dimensions given in U.S. inches
1 inch = 25.4 mm