

CRAFTSMAN®

Product questions or problems?

1-888-331-4569

Customer Care Hot Line

Get answers to questions, troubleshoot problems,
order parts, or schedule repair service.

Para respuestas a preguntas o problemas, y ordenar
piezas o pedir servicio para la reparación de su equipo.

To help us help you, register your product at www.craftsman.com/registration

Para poderte ayudar mejor, registra tu producto en www.craftsman.com/registration

Join the Craftsman Club today!

CRAFTSMAN® CLUB

www.craftsman.com/signup

Receive exclusive member benefits including special pricing and offers,
project sharing, expert advice, and SHOP YOUR WAY REWARDS!

Como miembro exclusivo, recibe diversos beneficios como ofertas, precios especiales, proyectos
nuevos, consejos de expertos y nuestro programa de puntos SHOP YOUR WAY REWARDS!

® Registered Trademark / ™ Trademark of KCD IP, LLC in the United States, or Sears Brands, LLC in other countries
® Marca Registrada / ™ Marca de Fábrica de KCD IP, LLC en Estados Unidos, o Sears Brands, LLC in otros países

Repair Parts Manual

CRAFTSMAN®

LAWN TRACTOR

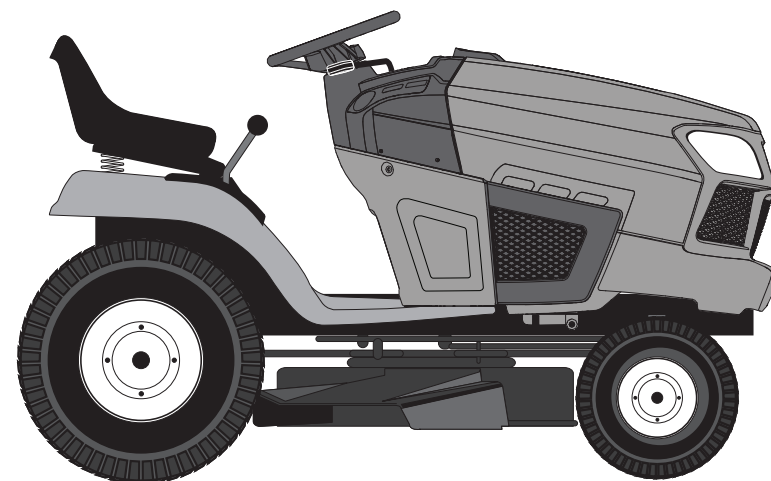
22.0 HP,* 42" Mower

Electric Start

6-Speed Transaxle

Model No.

917.203861



For answers to your questions
about this product, call:

1-888-331-4569

Craftsman Customer Help Line

Sears Brands Management Corporation, Hoffman Estates, IL 60179 U.S.A.
Visit our Craftsman website: www.craftsman.com

* The power rating as declared by the engine manufacturer is the average gross power output at the specified RPM of a typical production engine for the engine model measured using SAE Standards for engine gross power. Please refer to the engine manufacturer for details.

⚠ WARNING: This tractor is equipped with an internal combustion engine and should not be used on or near any unimproved forest-covered, brush-covered or grass-covered land unless the engine's exhaust system is equipped with a spark arrester meeting applicable local or state laws (if any). If a spark arrester is used, it should be maintained in effective working order by the operator.

In the state of California the above is required by law (Section 4442 of the California Public Resources Code). Other states may have similar laws. Federal laws apply on federal lands. A spark arrester for the muffler is available through your nearest Sears service center (See ENGINE ASSEMBLY section of this manual).

REPAIR PROTECTION AGREEMENTS

Congratulations on making a smart purchase. Your new Craftsman® product is designed and manufactured for years of dependable operation. But like all products, it may require repair from time to time. That's when having a Repair Protection Agreement can save you money and aggravation.

Here's what the Repair Protection Agreement* includes:

- ✓ **Expert service** by experienced service technicians trusted in millions of homes every year.
- ✓ **Unlimited service and no charge** for parts and labor on all covered repairs.
- ✓ **Product replacement** up to \$1500 if your covered product can't be fixed.
- ✓ **Discount of 25%** from regular price of service and related installed parts not covered by the agreement.
- ✓ **Fast help by phone** – phone support from a service agent on all products to help troubleshoot problems. Think of us as a "talking owner's manual."

Once you purchase the Repair Protection Agreement, a simple phone call is all that it takes for you to schedule service. You can call anytime day or night.

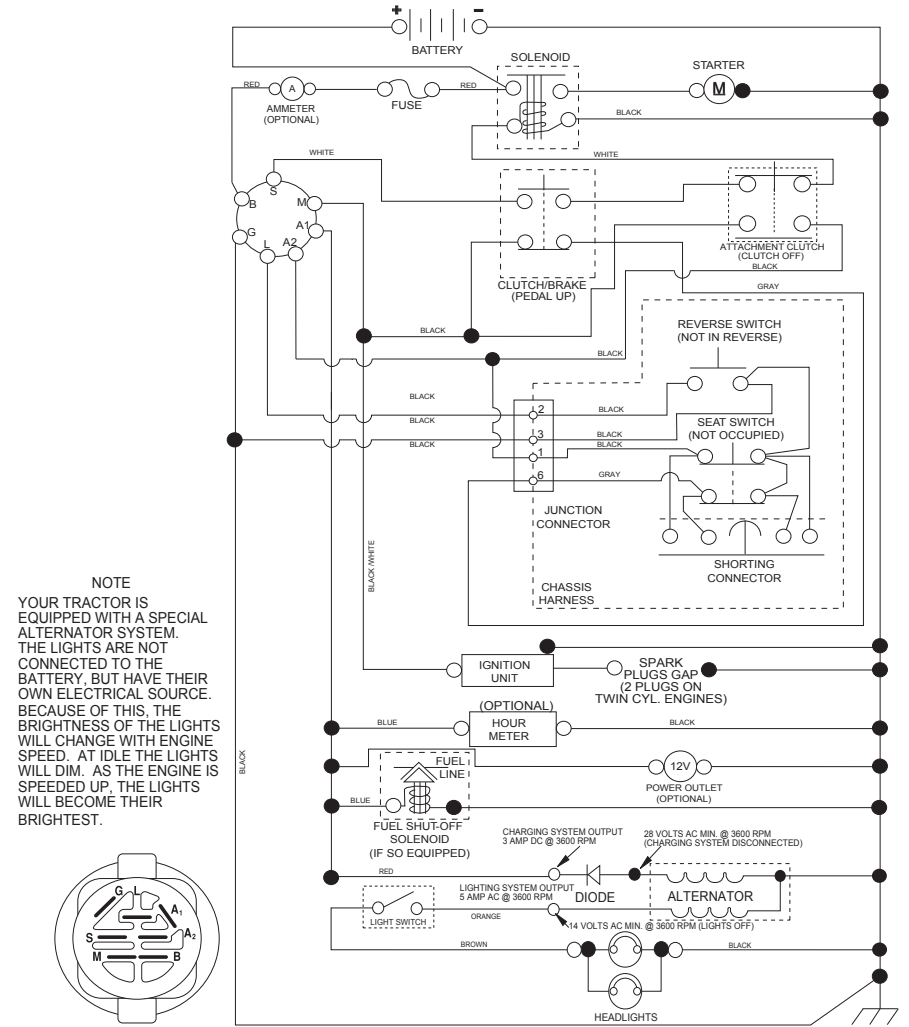
The Repair Protection Agreement is a risk-free purchase. If you cancel for any reason during the product warranty period, we will provide a full refund. Or, a prorated refund anytime after the product warranty period expires. Purchase your Repair Protection Agreement today!

Some limitations and exclusions apply. For prices and additional information call 1-800-827-6655.

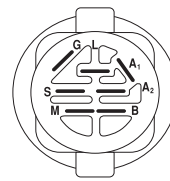
Sears Installation Service

For Sears professional installation of home appliances, garage door openers, water heaters, and other major home items, call 1-888-331-4569.

SCH11

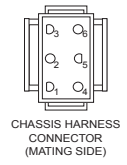


NOTE
 YOUR TRACTOR IS EQUIPPED WITH A SPECIAL ALTERNATOR SYSTEM. THE LIGHTS ARE NOT CONNECTED TO THE BATTERY, BUT HAVE THEIR OWN ELECTRICAL SOURCE. BECAUSE OF THIS, THE BRIGHTNESS OF THE LIGHTS WILL CHANGE WITH ENGINE SPEED. AT IDLE THE LIGHTS WILL DIM. AS THE ENGINE IS SPEEDED UP, THE LIGHTS WILL BECOME THEIR BRIGHTEST.

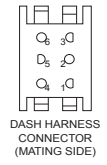


IGNITION SWITCH

POSITION	CIRCUIT	"MAKE"
OFF	M+G+A1	
RUN/OVERRIDE	B+A1	
RUN	B+A1	L+A2
START	B + S + A1	

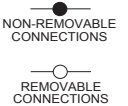


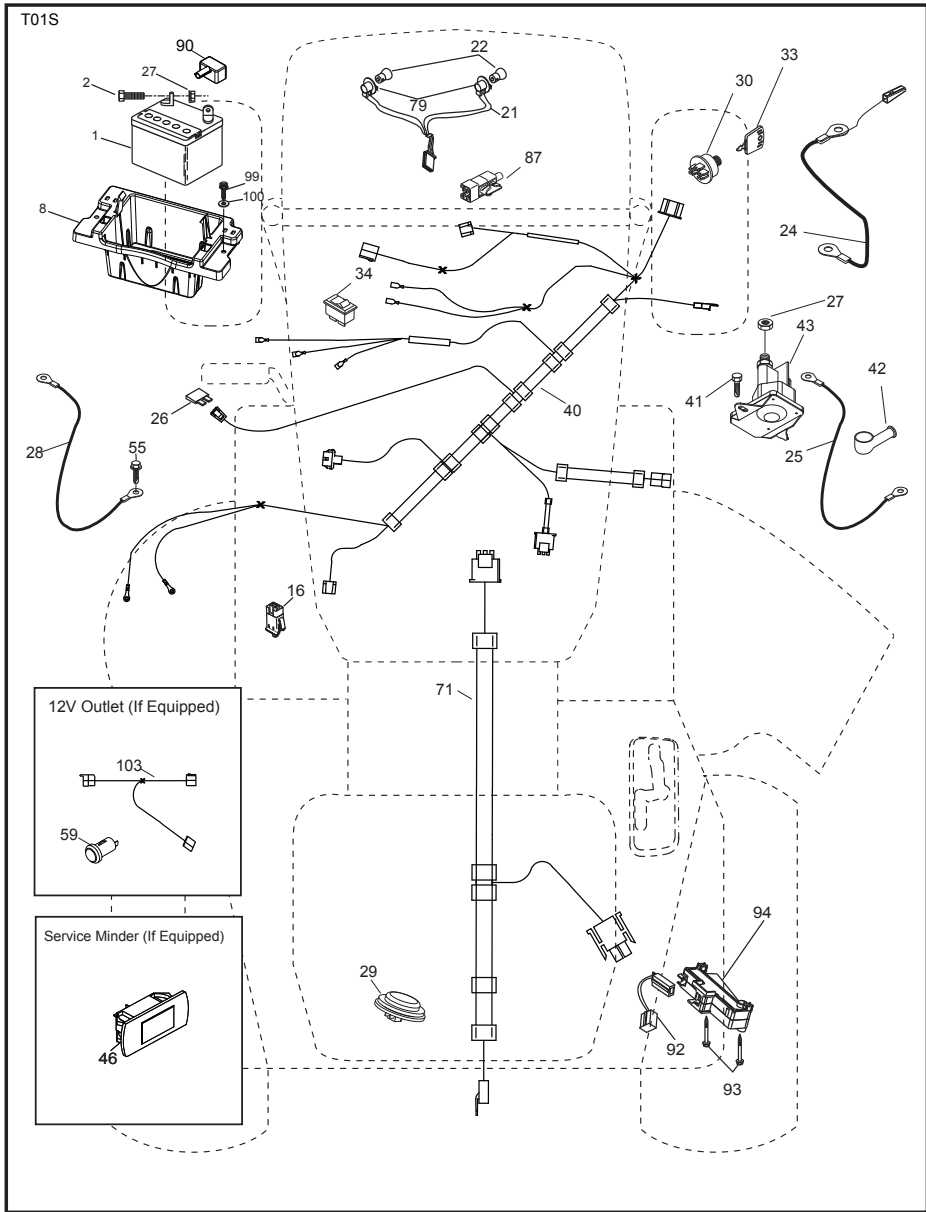
CHASSIS HARNESS CONNECTOR (MATING SIDE)



DASH HARNESS CONNECTOR (MATING SIDE)

WIRING INSULATED CLIPS
 NOTE: IF WIRING INSULATED CLIPS WERE REMOVED FOR SERVICING OF UNIT, THEY SHOULD BE RE-INSTALLED TO PROPERLY SECURE YOUR WIRING.





TRACTOR - - MODEL NUMBER 917.203861

BRIGGS & STRATTON ENGINE-MODEL NUMBER 44R677, TYPE NUMBER 0021-G1

ELECTRICAL

TRACTOR - - MODEL NUMBER 917.203861

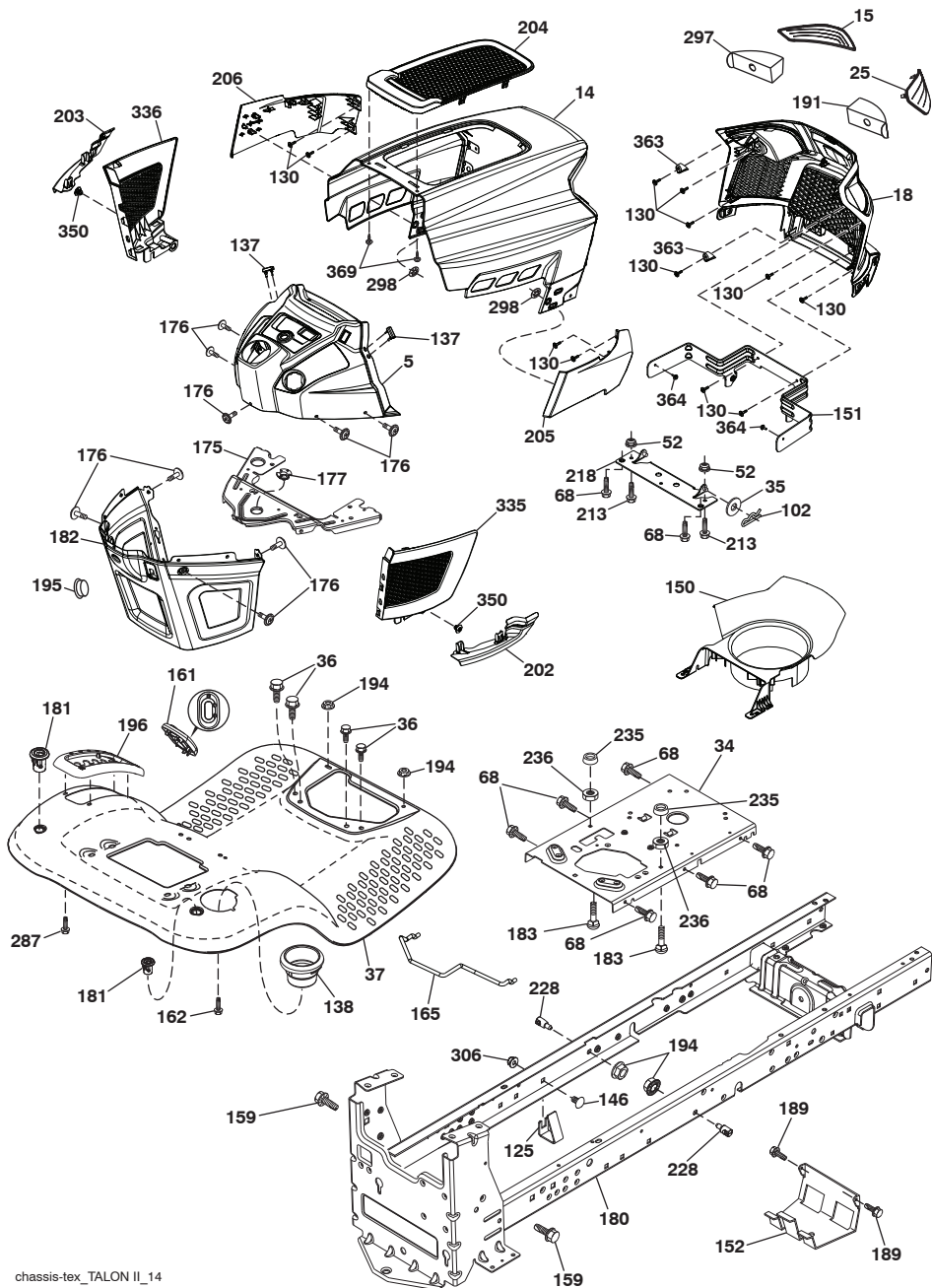
KEY NO.	PART NO.	DESCRIPTION	KEY NO.	PART NO.	DESCRIPTION
431	591661	Elbow-Intake	943	796222	Seal-O Ring (Oil Pump Cover)
445	593240	Filter-Air Cleaner Cartridge			(Square Cut) (I.D. 2.48)
447	691003	Screw (Air Guide Cover)	943A	690589	Seal-O Ring (Oil Pump Cover)
		(#10-24x.43)	947	798779	Solenoid-Fuel
462	691261	Washer (Starter Cable)	964	799159	Cap-Connector
467	591660	Knob-Air Cleaner	965	796221	Cover-Oil Pump
474	592831	Alternator	968	795120	Cover-Air Cleaner
501	794360	Regulator	975	796777	Bowl-Fuel
503	691532	Strap-Starter	987	691000	Seal-Throttle Shaft
505	691029	Nut (Governor Control Lever)	1005	791236	Fan-Flywheel
510	696541	Drive-Starter	1012	592556	Retainer-Link
513	692024	Clutch-Drive	1013	690954	Nipple-Oil Filter
523	691036	Dipstick	1017	796214	Screen-Oil Pump
524	691032	Seal-Dipstick Tube	1022	690971	Gasket-Rocker Cover
525	691037	Tube-Dipstick	1023	793146	Cover-Rocker (Cylinder #1)
526	691129	Screw (Regulator)	1023A	499600	Cover-Rocker (Cylinder #2)
552	796638	Bushing-Governor Crank	1024	796220	Pump-Oil
552A	690553	Bushing-Governor Crank	1026	690981	Rod-Push (Exhaust) (Steel)
562	690311	Screw (Governor Control Lever)	1026A	690982	Rod-Push (Intake) (Aluminum)
573	790444	Plate-Back	1027	795890	Filter-Oil
601	691038	Hose-Clamp (Black)	1029	690972	Arm-Rocker
615	698290	Retainer-Governor Shaft	1029A	807323	Arm-Rocker
616	691045	Crank-Governor	1036		Label-Emissions (Available from a Briggs & Stratton Authorized Dealer)
617	697891	Seal-O Ring (Intake Manifold) (Red)	1040	791237	Plate-Trim
633	699813	Seal-Choke/Throttle Shaft (Choke Shaft)	1051	691265	Ring-Retaining
633A	690998	Seal-Choke/Throttle Shaft	1058	381258TRI	Operator's Manual
635	66538s	Boot-Spark Plug	1059	698516	Kit-Screw/Washer (Alternator)
654	690958	Nut (Carburetor) (Serrated)	1070	592604	Screw (Flywheel Fan)
659	691029	Nut (Starter Strap)	1090	691293	Retainer-Brush
668	691500	Spacer (Rotating Screen)	1095	694013	Gasket Set-Valve
668A	691215	Spacer (Rotating Screen)	1100	791959	Pivot-Rocker Arm
672	690234	Gasket-Carburetor Plate	1119	691183	Screw (Alternator)
691	790574	Seal-Governor Shaft	1123	690987	Seal-O Ring (Solenoid Retainer)
697	591909	Screw (Drive Cap)	1124	841653	Seal-O Ring (Fuel Transfer Tube)
703	691010	Clip (Fuel Line)	1124A	690988	Seal-O Ring (Fuel Transfer Tube)
718	690959	Pin-Locating	1126	690991	Screw (Fuel Transfer Tube)
729	797454	Clip-Wire	1127	695407	Screw (Float Bowl)
741	690980	Gear-Timing	1128	690990	Screw (Carburetor Nozzle)
742	690328	Retainer-E Ring	1193	592577	Screw (Thermostat)
750	796208	Screw (Oil Pump Cover)			(#10-32x.62)
783	695708	Gear-Pinion	1329	N/A	Replacement Engine (Not Available At This Printing)
789	698330	Harness-Wiring	1330	N/A	Repair Manual (Not Available At This Printing)
797	693167	Nut (Brush Retainer)	1353	699725	Seal-O Ring (Fuel Transfer Tube Extension)
798	697890	Screw (Rocker Arm)			
801	691283	Cap-Drive			
802	691286	Cap-End			
842	691031	Seal-O Ring (Dipstick Tube)			
847	499602	Dipstick/Tube Assembly			
850	100106	Sealant-Liquid			
851	493880s	Terminal-Spark Plug			
865	591667	Cover-Air Guide (Valley)			
868	690968	Seal-Valve			
877	790544	Wire/Connector-Alternator			
883	690970	Gasket-Exhaust			
914	691127	Screw (Rocker Cover)			
918	797408	Hose-Vacuum (Rocker Cover #1)			
918A	799160	Hose-Vacuum (EVAP)			
929	695239	Screw (Choke Control Bracket)			

NOTE: All component dimensions given in U.S. inches 1 inch = 25.4 mm

KEY NO.	PART NO.	DESCRIPTION
1	163465	Battery
2	74760412	Bolt Hex Hd 1/4-20 unc x 3/4
8	587205101	Box Battery
16	176138	Switch Interlock Push-In
21	400252	Harness Socket Light w/4152J
22	4152J	Bulb Light
24	585555601	Cable Btry
25	585555501	Cable Starter
26	175158	Fuse
27	73510400	Nut Keps Hex 1/4-20 unc
28	416588	Cable, Ground
29	401545	Switch, Seat
30	193350	Switch, Ign
33	411932	Key/Chain
34	110712X	Switch Light / Reset
40	501133001	Harness Ign. Dash
41	17720408	Screw Thd Cut 1/4-20 x 1/2
42	131563	Cover, Terminal
43	582042801	Solenoid
46	586161801	Gauge SRVCMNDR HRMTR
55	17060512	Screw Thdrol 5/16-18 x 3/4 TYTT
71	194276	Harness Ign. Chassis
79	175242	Bulbholder Asm. Incan Descent
87	197802	Switch Interlock Clutch Cable
90	435395	Cover Terminal Battery
92	196615	Harness Pigtail Reverse Switch
93	192540	Screw Plastite 10 - 14 x 2 00
94	191834	Module Reverse Ros
99	17670412	Screw Hexwsh Thdrol 1/4-20 x 3/4
100	19091416	Washer 9/32 x 7/8 x 16 Ga.

NOTE: All component dimensions given in U.S. inches 1 inch = 25.4 mm

TRACTOR -- MODEL NUMBER 917.203861
CHASSIS ASSEMBLY



chassis-tex_TALON II_14

TRACTOR -- MODEL NUMBER 917.203861
BRIGGS & STRATTON ENGINE-MODEL NUMBER 44R677, TYPE NUMBER 0021-G1

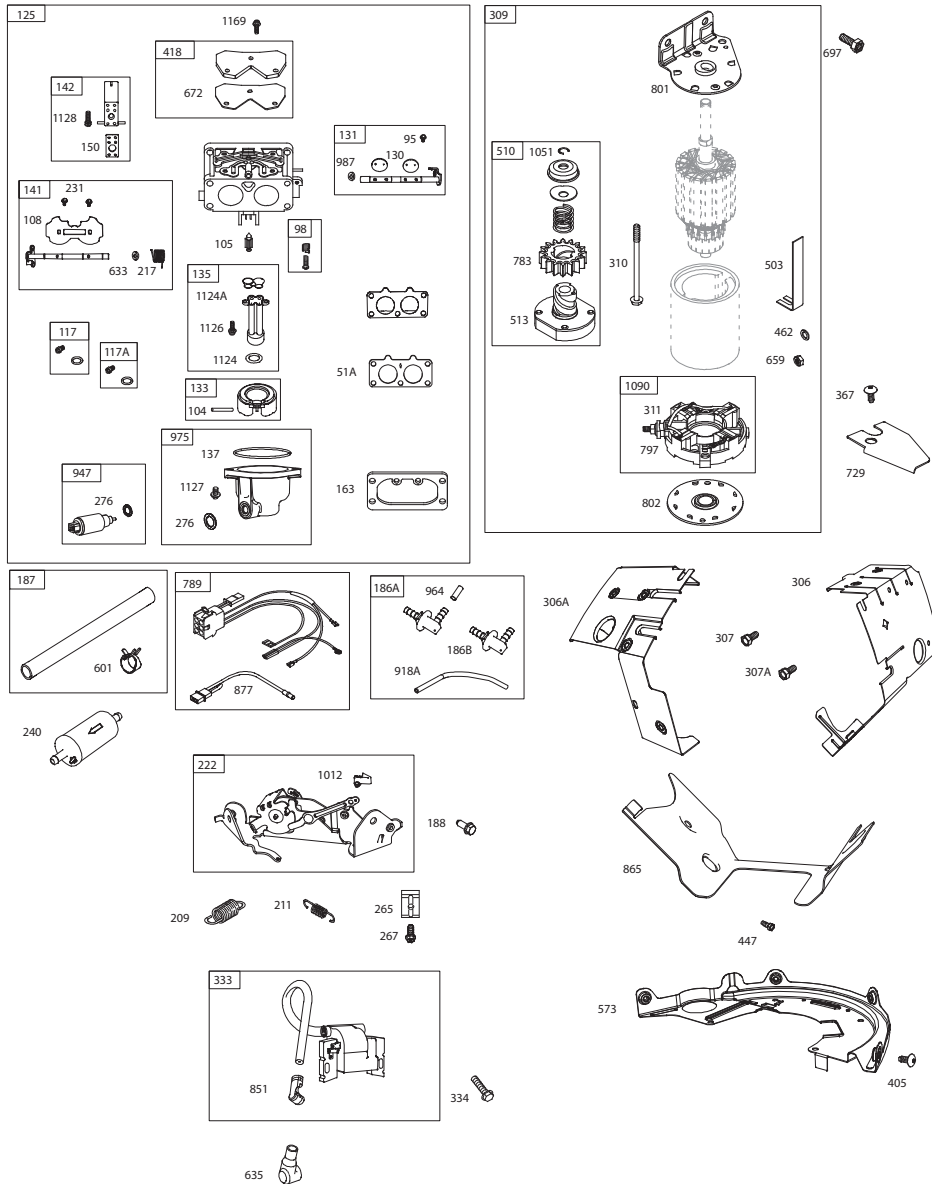
KEY NO.	PART NO.	DESCRIPTION	KEY NO.	PART NO.	DESCRIPTION
1	591695	Cylinder Assembly	137	690994	Gasket-Float Bowl
2	797673	Bushing/Seal Kit (Magneto Side)	141	796228	Kit-Choke Shaft
3	391086s	Seal-Oil (Magneto Side)	142	699726	Nozzle-Carburetor
4	796307	Sump-Engine	150	841649	Gasket-Nozzle
	796231	Head-Cylinder (Cylinder #1)	163	691001	Gasket-Air Cleaner
5A	796232	Head-Cylinder (Cylinder #2)	186	795985	Connector-Hose (Intake Manifold)
7	693997	Gasket-Cylinder Head	186A	799158	Connector-Hose (EVAP)
8	792185	Breather Assembly	186B	845141	Connector-Hose (EVAP)
9	690937	Gasket-Breather	187	791766	Line-Fuel (Cut to Required Length)
10	691108	Screw (Breather Assembly)	188	691108	Screw (Control Bracket)
11	792184	Tube-Breather	192	690083	Adjuster-Rocker Arm
12	591911	Gasket-Crankcase	209	798921	Spring-Governor (Orange)
13	793988	Screw (Cylinder Head)	211	691019	Spring-Governed Idle (No Color)
15	690946	Plug-Oil Drain	212	695238	Link-Throttle
16	796237	Crankshaft	216	796229	Link-Choke
20	795387	Seal-Oil (PTO Side)	217	799771	Spring-Choke Return
22	694966	Screw (Crankcase Cover/Sump)	219	793338	Gear-Governor
23	691054	Flywheel	220	799772	Washer (Governor Gear)
24	222698s	Key-Flywheel (Aluminum)	221	841026	Cup-Governor
25	792023	Piston Assembly (Standard)	222	592555	Bracket-Control
	792072	Piston Assembly (.020" Oversize)	227	798856	Lever-Governor Control
26	792026	Ring Set (Standard)	231	690718	Screw (Choke Valve)
	792073	Ring Set (.020" Oversize)	240	695666	Filter-Fuel
27	690975	Lock-Piston Pin	250	690957	Retainer-Breather
28	696581	Pin-Piston	252	794389	Collector-Oil
29	796209	Rod-Connecting	265	691024	Clamp-Casing
32	690976	Screw (Connecting Rod)	267	792629	Screw (Casing Clamp)
33	697576	Valve-Exhaust	276	695410	Washer-Sealing (Aluminum)
34	792200	Valve-Intake	276A	690997	Washer-Sealing (Fiber)
35	694865	Spring-Valve (Intake)	276B	794271	Washer-Sealing
36	694865	Spring-Valve (Exhaust)	287	697820	Screw (Dipstick Tube)
42	499586	Keeper-Valve	304	591668	Housing-Blower
45	690977	Tappet-Valve	305	691005	Screw (Blower Housing) (1/4-20x.66)
46	792555	Camshaft	305A	790690	Screw (Blower Housing) (Blower Housing to Intake Elbow)
48	N/A	Short Block (Not Available At This Printing)	305B	691061	Screw (Blower Housing) (#8-32x.87)
50	591784	Manifold-Intake	306	591666	Shield-Cylinder (Cylinder #2)
51	795123	Gasket-Intake	306A	796852	Shield-Cylinder (Cylinder #1)
51A	690950	Gasket-Intake	307	691003	Screw (Cylinder Shield)
51B	690949	Gasket-Intake	307A	691108	Screw (Cylinder Shield) (1/4-20x.66)
53	690951	Stud (Carburetor)	309	497595	Motor-Starter
54	699816	Screw (Intake Manifold)	310	690323	Screw (Starter Motor)
73	494439	Screen-Rotating	311	497608	Brush Set
74	698425	Screw (Rotating Screen)	332	691059	Nut (Flywheel)
75	691056	Washer (Flywheel)	333	592846	Armature-Magneto
95	690718	Screw (Throttle Valve)	334	691061	Screw (Magneto Armature)
98	699721	Kit-Idle Speed	337	792015	Plug-Spark
104	694918	Pin-Float Hinge	358	694012	Gasket Set-Engine
105	797410	Valve-Float Needle	367	697820	Screw (Wire Clip)
108	699723	Valve-Choke	377	690979	Key-Woodruff
117	792296	Jet-Main (Standard) (Left Jet)	385	797409	Screw (Fuel Pump)
117A	842627	Jet-Main (Standard) (Left Jet) (High Altitude)	387	808656	Pump-Fuel
118	699457	Jet-Main (High Altitude) (Left Jet) (5000/9000 Feet)	404	690442	Washer (Governor Crank)
		Jet-Main (High Altitude) (Right Jet) (5000/9000 Feet)	405	697820	Screw (Back Plate)
118A	699733	Jet-Main (High Altitude) (Right Jet) (5000/9000 Feet)	415	794903	Plug
121	797890	Kit-Carburetor Overhaul	418	795912	Plate-Carburetor
125	796227	Carburetor			
130	690993	Valve-Throttle			
131	499805	Kit-Throttle Shaft			
133	699724	Float-Carburetor			
135	699729	Tube-Fuel Transfer			

TRACTOR - - MODEL NUMBER 917.203861

BRIGGS & STRATTON ENGINE-MODEL NUMBER 44R677, TYPE NUMBER 0021-G1

TRACTOR - - MODEL NUMBER 917.203861

CHASSIS ASSEMBLY



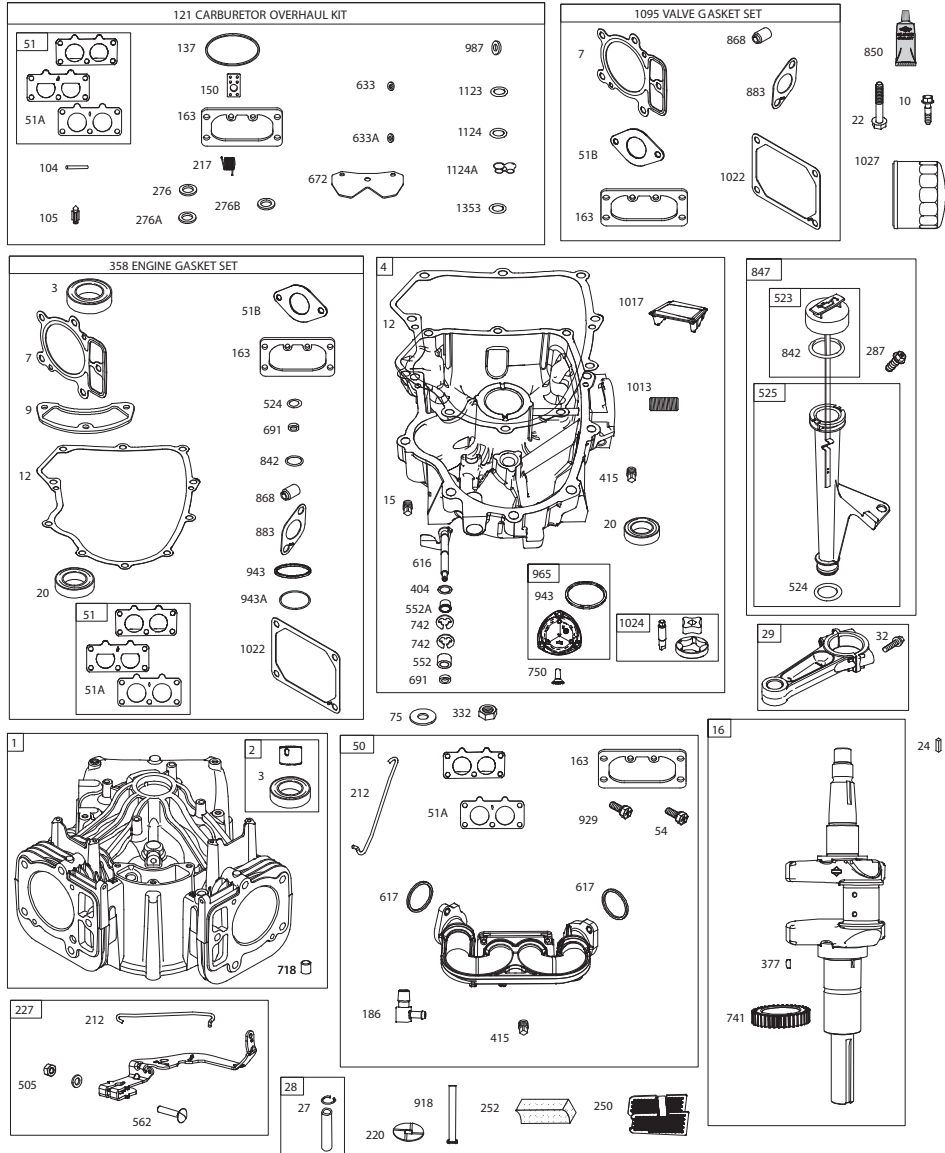
KEY PART NO. NO.

KEY PART NO.	NO. NO.	DESCRIPTION
5	580485903	Dash
14	580354406	Hood
15	580485601	Lens LH
18	580485302	Grille
25	580484501	Lens RH
34	580910801	Plate engine
35	191111116	Washer 11/32 x 11/16 x 16 Ga.
36	17060512	Screw 5/16-18 x 3/4
37	414870X615	Fender
52	73680500	Nut Crown lock 5/16-18
68	17490508	Screw Thdrol 5/16-18 x 1/2
102	4497H	Retainer Spring 1"
125	581684801	Clip Fuel Line
130	416358	Screw # 10 x .750 BOS Thread
137	407590	Bumper Dash
138	193224X428	Cupholder
146	581857901	Bolt
150	585238002	Duct Heat Hood
151	580663302	Bracket Pivot
152	199535	Shield Browning/Debris
159	17000612	Screw Hexwsh Thdr 3/8-16 x 3/4
161	193229X428	Window Fuel
162	142432	Screw Hex Wsh Hi-Lo 1/4 x 1/2
165	196826	Support Tank Rear
175	196304	Crossmember
176	400776	Screw 10-24 x 5/8 Wshd Qdrx
177	195228	Bushing Steering
180	195457	Chassis
181	193102X428	Bushing Mtg. Fender Crgo.
182	586738602	Dash Lower
183	74520520	Bolt 5/16-18 x 1-1/4
189	17000512	Screw 5/16-18 x 3/4
191	580485101	Mylar Headlight/Reflective LensRH
194	73900500	Nut Lock Hex Flange 5/16-18
195	401556X428	Plug Hole Dash 12V Adapter
196	414579	Console Asm. Deck Lift
202	580485001	C-Closeout Lwr Trm RH
203	580484801	C-Closeout Lwr Trm LH
204	580484701	Hood Top Vent
205	580843706	Assembly Corner RH
206	580843806	Assembly Corner LH
213	74760512	Bolt hex HD 5/16-18 unc x 3/4
218	580897302	Pivot Hood Assy
228	195161	Stud Fastener
235	406129	Spacer Fender
236	73930500	Nut Center Lock 5/16-18
287	17600406	Screw Hex Washead 1/4-20 x 3/8
297	580484901	Mylar Headlight/Reflective Lens LH
298	580851001	Nut Push
306	73900600	Nut Lock
335	580484602	C-Side Closeout RH
336	580484402	C-Side Closeout LH
350	445143	Clip X-Mass Tree
363	580724501	Cap Talon Grille
364	17060408	Screw
369	421756	Screw #10 x 0.500 BOS Thread

NOTE: All component dimensions given in U.S. inches
1 inch = 25.4 mm

TRACTOR - - MODEL NUMBER 917.203861
BRIGGS & STRATTON ENGINE-MODEL NUMBER 44R677, TYPE NUMBER 0021-G1

- 48 SHORT BLOCK
- 1036 EMISSIONS LABEL
- 1058 OPERATOR'S MANUAL
- 1329 REPLACEMENT ENGINE
- 1330 REPAIR MANUAL



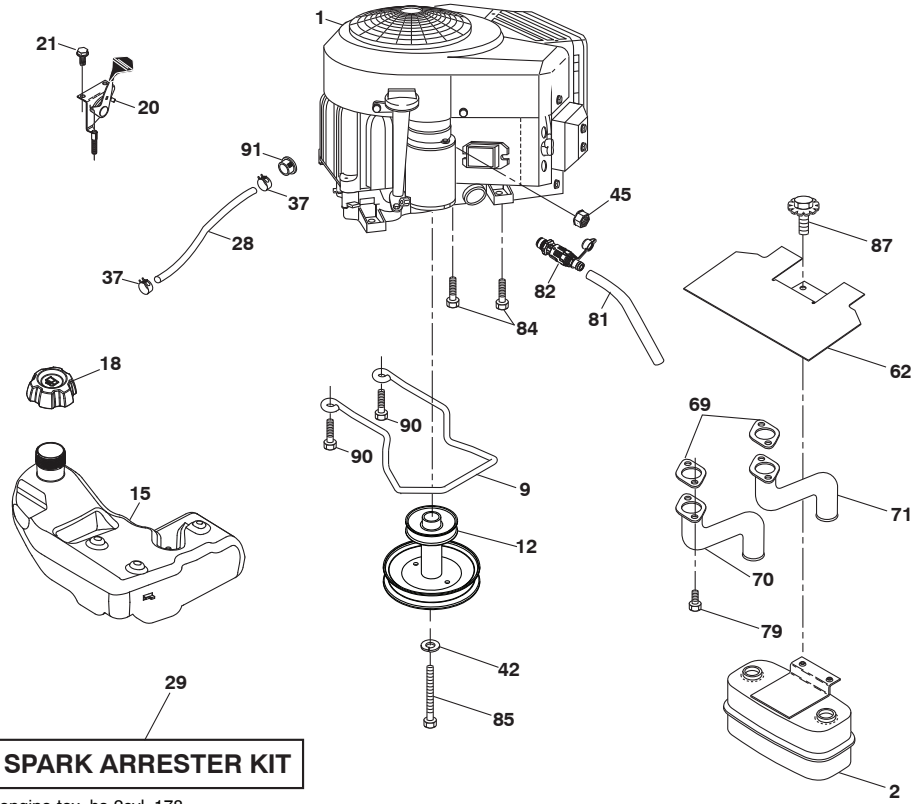
TRACTOR - - MODEL NUMBER 917.203861
GROUND DRIVE

KEY PART NO.	NO.	DESCRIPTION	KEY PART NO.	NO.	DESCRIPTION
1	---	Transaxle, Peerless 206-565 (197941)(See Transaxle Breakdown.)	159	76020412	Pin Cotter 1/8 x 3/4
		Key Square	160	169484	Retainer Clip
			161	105709X	Spring, Return, Clutch
			165	196212	Busing Shaft Brake Hand Control
2	123583X	Washer 13/32 x 13/16 x 16 Ga.	166	429164	Nut Push .625
15	19131316	Spring, Brake	167	405257	Latch Brake Parking
17	197297	Rod Shift	172	197657	Strap Torque LH
22	197660	Knob	174	197289	Nut Push
23	106933X	Spring Brake RTN	175	196224	Shaft Asm Shift
26	197455	Rod, Brake	176	196214	Arm Clevis Rod Shift
29	197267	Ring E	178	197456	Spring Shift
33	12000001	Rod, Brake, Park	183	137057	Spacer, Axle
35	583864501	Washer 25/32 x 1-1/4 x 16 Ga.	184	196439X428	Handle Parking Brake
37	121749X	8883R	185	72110622	Bolt
42	8883R	Cover, Foot Pedal	186	194321	Spacer Retainer
49	72110614	Bolt	187	19133210	Washer
50	194327	Pulley Idler Flat	188	582217001	Link Clutch Ground Drive, Long
51	73900600	Lock Nut 3/8-16	189	194317	Bellcrank Ground Drive
52	194326	Idler V-Groove	190	194318	Keeper Bellcrank Ground Drive
56	194346	V-Belt, Drive	192	150360	Nut Lock Center 1/4-28
61	123666X	Pulley Transaxle	193	17060512	Screw 5/16-18 x 3/4
64	196200	Shaft Asm. Pedal Brake Control	195	197332	Bracket Brake Rod
70	193225X428	Console Shift	202	166231	Link Shift
73	74490540	Bolt 5/16-18 Gr. 5	203	19111116	Washer 11/32 x 11/16 x 16 Ga.
74	142432	Screw 1/4 x 1/2	205	121748X	Washer 25/32 x 1-5/8 x 16 Ga.
116	73900500	Nut Lock Hex Flange 5/16-18	221	403187	Retainer Spring Clip Handle
125	17000512	Screw 5/16-18 x 3/4	232	74780716	Bolt 7/16-14 x 1 Gr. 5
134	197658	Arm Shift	233	405296	Washer Serrated
139	74550412	Bolt 1/4-20 unF Gr. 8 w/Patch			
140	10040400	Washer Lock Hvy Helical 1/4			
141	19091210	Washer 9/32 x 3/4 x 10 Ga.			
155	12000028	Ring Retainer			
157	105701X	Washer Plate Shf			
158	194352	Keeper T/A			

NOTE: All component dimensions given in U.S. inches
 1 inch = 25.4 mm

TRACTOR - - MODEL NUMBER 917.203861

ENGINE



SPARK ARRESTER KIT

engine-tex_bs-2cyl_178

TRACTOR - - MODEL NUMBER 917.203861

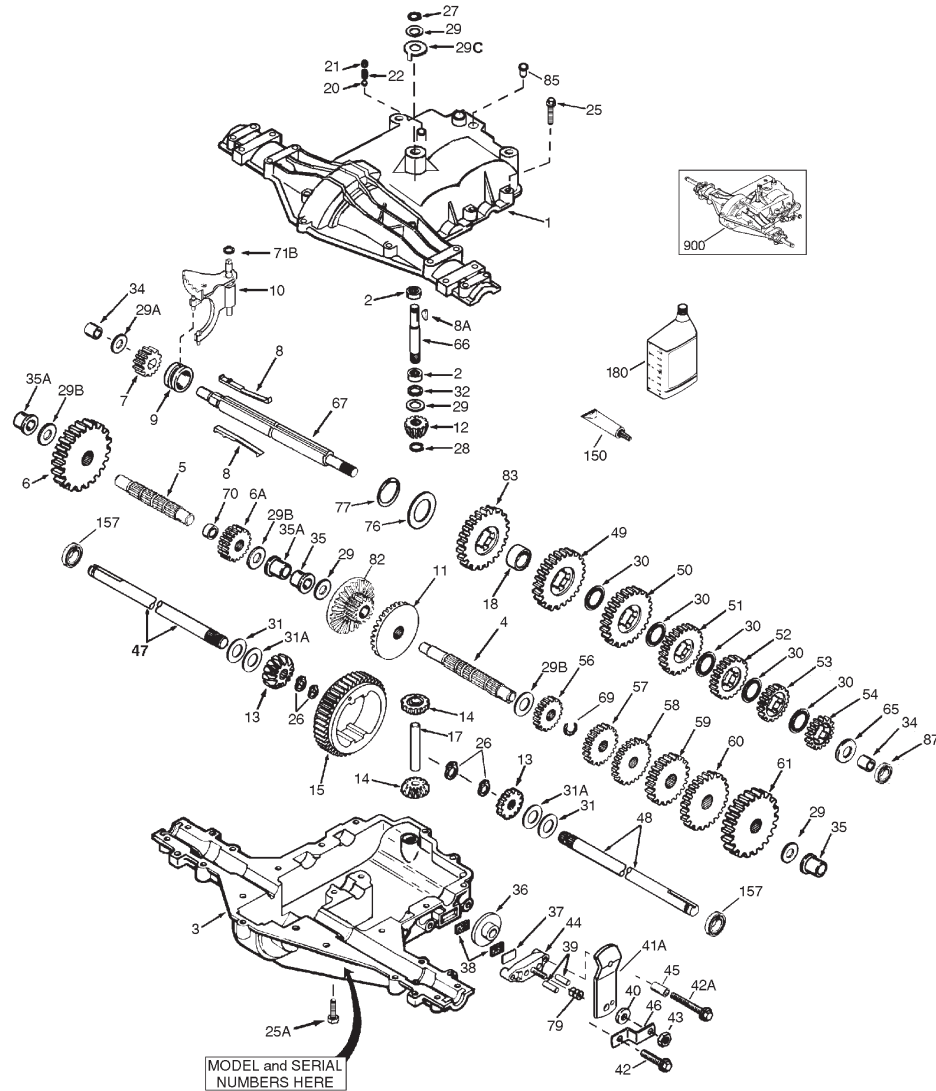
PEERLESS TRANSAXLE - MODEL NUMBER 206-565

KEY NO.	PART NO.	DESCRIPTION	KEY NO.	PART NO.	DESCRIPTION
1	772147	Transaxle Cover	41A	790058	Brake Lever
2	780086A	Needle Bearing 5/8"	42	792073A	Screw 1/4-20 x 1-1/4"
3	770128	Transaxle Case	42A	792085A	Screw 1/4-20 x 2-1/4"
4	776395	Countershaft	43	792075	Locknut 5/16-24
5	776409	Output Shaft	44	790025	Brake Pad Holder
6	778364	Spur Gear (38 teeth)	45	786067	Spacer .2625 x 1.0
6A	778369	Spur Gear (15 teeth)	46	786086	Brake Lever Bracket
7	778330	Spur Gear (11 teeth)	47	774690	Axle (11-15/16" long)
8	792180	Shift Key	48	774691	Axle (16-1/2" long)
8A	792047	Woodruff Key #9	49	778356	Spur Gear (29 teeth)
9	784352	Shift Collar	50	778338	Spur Gear (27 teeth)
10	784378	Shift Rod & Fork	51	778354	Spur Gear (23 teeth)
11	778334	Bevel Gear (30 teeth)	52	778313	Spur Gear (19 teeth)
12	778309	Input Bevel Pinion (13 teeth)	53	778350	Spur Gear (16 teeth)
13	778368	Bevel Gear (13 teeth) (Incl. 14)	54	778346	Spur Gear (15 teeth)
14	778368	Bevel Pinion (13 teeth) (Incl. 13)	56	778355	Spur Gear (11 teeth)
15	778370	Ring Gear (43 teeth)	57	778351	Spur Gear (21 teeth)
17	786188	Drive Pin	60	778349	Spur Gear (24 teeth)
18	786102	Spacer 1.130 X .695	61	778345	Spur Gear (25 teeth)
20	792077A	Ball 5/16" dia	65	780189	Flat Washer .563 ID x .062W
21	792211	Cap Screw 3/8-16 x 3/8"	66	776422	Input Shaft
22	792079	Spring .310 OD x .625 L	67	776396	Shifter & Brake Shaft
25	792073A	Screw 1/4-20 x 1-1/4"	69	792170	Retaining Ring
25A	792177	Screw 1/4-20 x 1-3/8"	70	786187	Spacer .890
26	792125	Retaining Ring (pkg of 2)	71B	788092	"O" Ring
27	792035	Retaining Ring	76	780090	Flat Washer 1.128 ID x .058W
28	788040	Retaining Ring	77	788078A	Inverted Retaining Ring
29	780072	Thrust Washer .627 ID x .031W	79	792144	Spring .430 OD x .5000 L
29A	780160	Thrust Washer .563 ID x .031W	82	778333	Bevel & Spur Gear (30 & 13 teeth)
29B	780051	Thrust Washer .762 ID x .031W	83	778338	Spur Gear (27 teeth)
29C	780199	Anti-Rotation Washer .632	85	792154	Oil Fill Plug
30	780108	Cup Washer 1.127 ID x .032W	87	788089A	Oil Seal 9/16"
31	780001	Flat Washer .750 ID x .056W (Use As Needed)	150	788093A	Liquid Gasket RTV Silicone
31A	780195	Flat Washer .750 ID x .062W	157	788088A	Oil Seal 3/4"
32	788083	Oil Seal 5/8"	180	730229A	Gear Oil 80W90
34	780194	Bushing .563	900	794837	Replacement MST-206-545C Transaxle
35	780193	Flanged Bushing 5/8" ID			
35A	780197	Flanged Bushing .751			
36	790075	Brake Disk			
37	790007	Brake Pad Plate			
38	799021	Brake Pad (pkg of 2)			
39	786026	Dowel Pin			
40	792076A	Flat Washer .312 ID x .059W			

NOTE: All component dimensions given in U.S. inches
1 inch = 25.4 mm

TRACTOR - - MODEL NUMBER 917.203861

PEERLESS TRANSAXLE - MODEL NUMBER 206-565



TRACTOR - - MODEL NUMBER 917.203861

ENGINE

KEY PART NO. NO.

DESCRIPTION

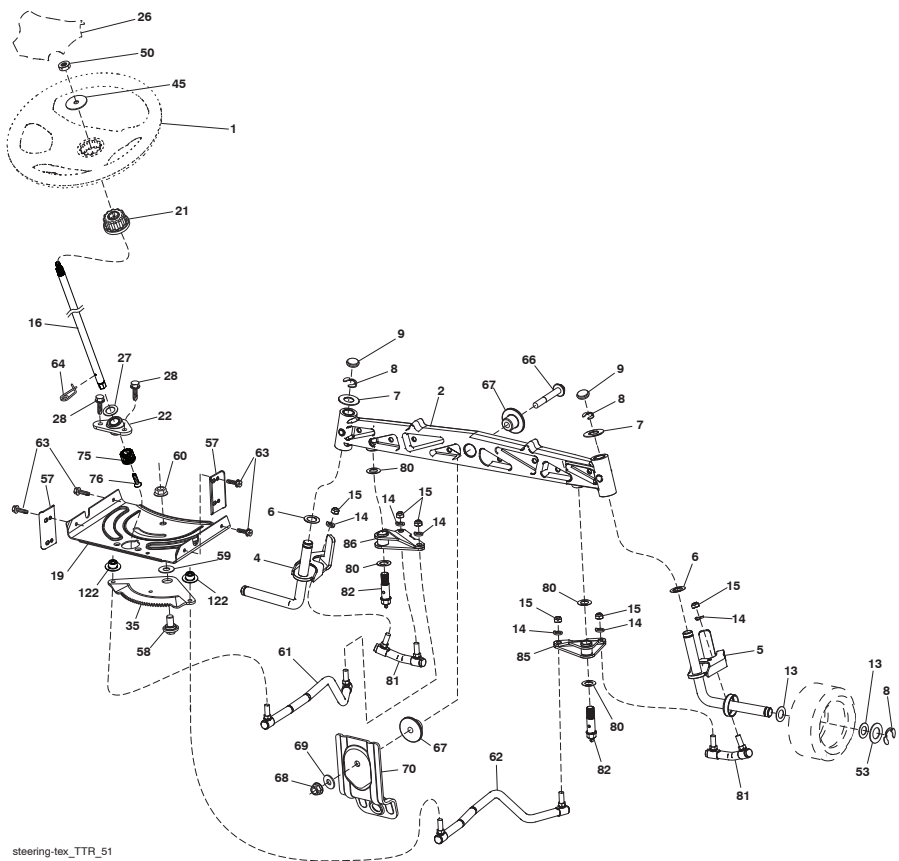
KEY PART NO.	NO.	DESCRIPTION
1	-----	Engine B&S Model No. 44R677-0021-G1 (586204301) (See Engine Breakdown)
2	445962	Muffler
9	582540302	Keeper Belt Engine
12	586729001	Pulley Engine
15	438080	Tank Fuel
18	585124802	Cap Fuel
20	421473X428	Control Throttle/Choke
21	416358	Screw 10 x .750 BOS Thread
28	401135	Fuel Line
29	137180	Spark Arrester Kit
37	123487X	Clamp Hose
42	539990247	Washer Lock 7/16
45	73510400	Nut Keps Hex 1/4-20 unc
62	434017	Shield Heat Muffler
69	165391	Gasket
70	581881101	Exhaust Tube LH
71	581881001	Exhaust Tube RH
79	183906	Screw 5/16-18 x 1
81	148456	Tube Drain Oil Easy
82	428287	Valve Oil Drain
84	17060620	Screw 3/8-16 x 1-1/4
85	501606501	Bolt Hex 7/16-20 x 4 x Gr. 5-1.5
87	198239	Bolt 5/16-18 unc x 1 w/Sems
90	17000616	Screw 3/8-16 x 1.0
91	187495	Bushing

NOTE: All component dimensions given in U.S. inches
1 inch = 25.4 mm

Engine Power Rating Information

The gross power rating for individual gas engine models is labeled in accordance with SAE (Society of Automotive Engineers) code J1940 (Small Engine Power & Torque Rating Procedure), and rating performance has been obtained and corrected in accordance with SAE J1995 (Revision 2002-05). Torque values are derived at 3060 RPM; horsepower values are derived at 3600 RPM. Actual gross engine power will be lower and is affected by, among other things, ambient operating conditions and engine-to-engine variability. Given both the wide array of products on which engines are placed and the variety of environmental issues applicable to operating the equipment, the gas engine will not develop the rated gross power when used in a given piece of power equipment (actual "on-site" or net power). This difference is due to a variety of factors including, but not limited to, accessories (air cleaner, exhaust, charging, cooling, carburetor, fuel pump, etc.), application limitations, ambient operating conditions (temperature, humidity, altitude), and engine-to-engine variability. Due to manufacturing and capacity limitations, Briggs & Stratton may substitute an engine of higher rated power for this Series engine.

TRACTOR - - MODEL NUMBER 917.203861
STEERING ASSEMBLY



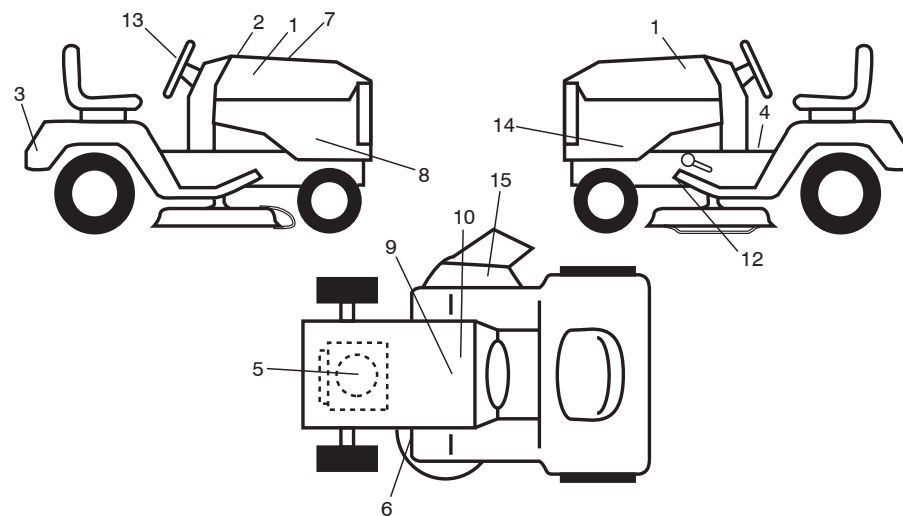
steering-tex_TTR_51

KEY PART NO.	NO.	DESCRIPTION	KEY PART NO.	NO.	DESCRIPTION
1	414803X428	Wheel, Steering	59	194748	Washer Thrust Sector Steering
2	436870	Axle Asm., Front	60	73971000	Nut Flange Lock 5/8-11
4	436873	Spindle Asm., LH	61	436884	Draglink, LH
5	436874	Spindle Asm., RH	62	436885	Draglink, RH
6	6266H	Washer Thrust 0.75 x 1.23	63	17000512	Screw 5/16-18 x 3/4
7	121748X	Washer 25/32 x 1-5/8 x 16 Ga.	64	199849	Retainer Clip Spring Steering
8	12000029	Ring, Clip #T5304-75	66	71020748	Bolt Hex Fghd 7/16-14 x 3 Serr
9	184946X667	Cap, Spindle	67	194737	Bushing PM Front Axle
13	121749X	Washer 25/32 x 1-1/4 x 16 Ga.	68	73900700	Nut Lock Flange 7/16-14 Gr. 5
14	539990118	Washer 3/8	69	199162	Washer 1.5 x .505 x .118
15	73540600	Nut, Crown Lock 3/8-24 unf	70	585338801	Bracket Deck Susp. Front
16	587016002	Shaft Steering	75	580683701	Pinion
19	194729	Plate Steering	76	580683601	Screw Head Sock.
21	586840201	Adapter, Wheel Steering	80	1370H	Washer Thrust 5/8 x 1.10 x 1/32
22	585029901	Bearing Asm.	81	436887	Link Cross RH
26	414852X428	Insert, Wheel Steering	82	442147	Pivot bolt
27	19211616	Washer	85	441873	Pivot RH
28	17000612	Screw 3/8-16 x 3/4	86	441872	Pivot LH
35	440770	Gear, Sector Plate	122	444962	Cap Gear
45	587016401	Washer			
50	73900600	Nut			
53	188967	Washer Hardened.793x1.637x.060			
57	407465	Bracket Upstop			
58	194747	Bolt Shoulder Sector Pivot CFM			

NOTE: All component dimensions given in U.S. inches
 1 inch = 25.4 mm

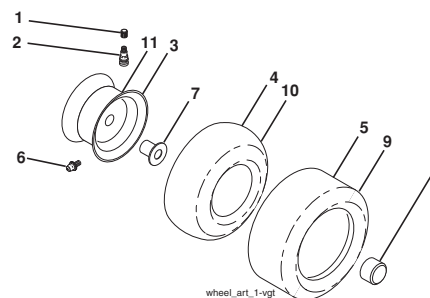
TRACTOR - - MODEL NUMBER 917.203861

DECALS



KEY PART NO.	PART NO.	DESCRIPTION	KEY PART NO.	PART NO.	DESCRIPTION
1	585767601	Decal, Hood	13	581894601	Decal, Steering Wheel
2	585571401	Decal, Maint. Cust.	14	586393802	Decal, Sideskirts LH
3	587390201	Decal, Fender	15	584904601	Decal, Deck/Deflect Warning
4	581578801	Decal, Warning	--	193226X428	Pad, Footrest, LH
5	582522401	Decal, Engine	--	193227X428	Pad, Footrest, RH
6	581580001	Decal, B-Belt Schematic	--	588806626	Manual, Operator's (English/Spanish)
7	586364501	Decal, RPL	--	588806627	Manual, Parts (English/Spanish)
8	586393801	Decal, Sideskirts RH	--	588799624	Quick Start Guide (English/Spanish)
9	434996	Decal, Battery Warning			
10	434995	Decal, Battery			
12	421534	Decal, Mower V-Belt Schematic			

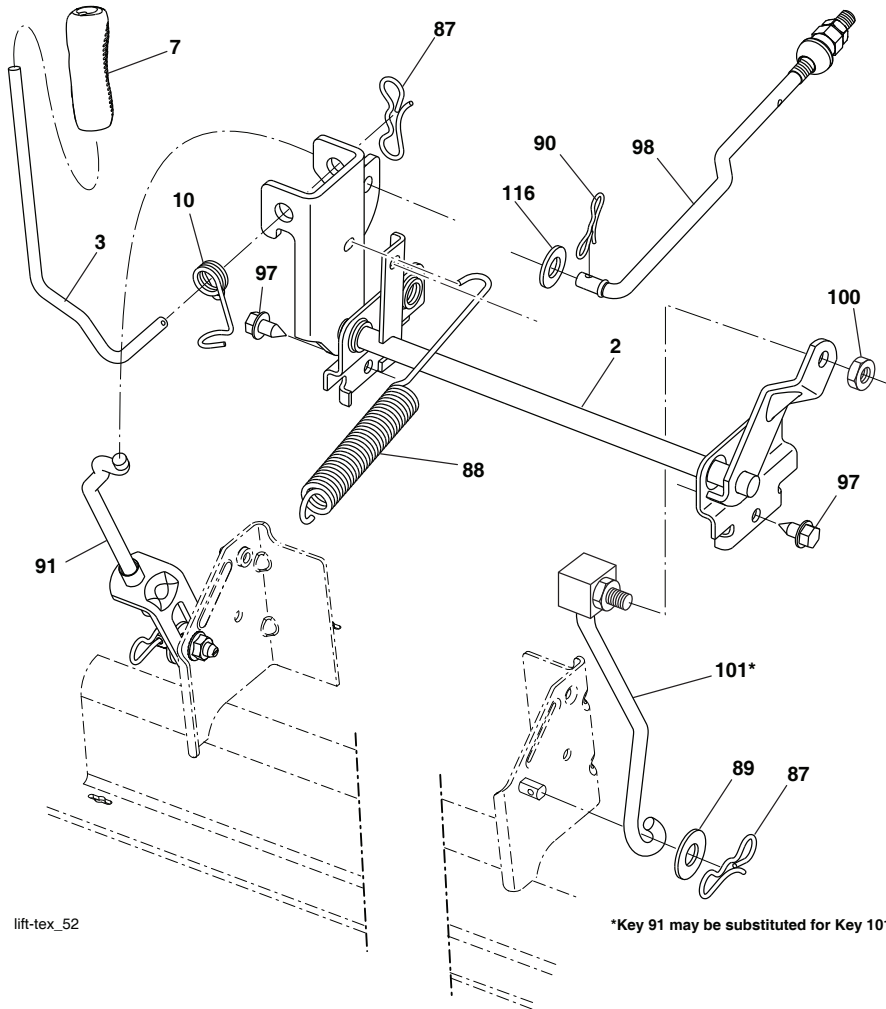
WHEELS & TIRES



KEY PART NO.	NO.	DESCRIPTION
1	59192	Cap, Valve, Tire
2	65139	Stem, Valve
3	106732X613	Rim Assembly, Front
4	59904	Tube, Front
5	106222X	Tire, Front 15 x 6-6
6	278H	Fitting, Grease
7	9040H	Bearing, Flange
8	104757X428	Cap, Axle (Front Wheel Only)
9	138468	Tire, Rear 20 x 8-8
10	7152J	Tube, Rear
11	106108X613	Rim Assembly, Rear
--	144334	Sealant, Tire (10 oz. Tube)

NOTE: All component dimensions given in U.S. inches
 1 inch = 25.4 mm

TRACTOR - - MODEL NUMBER 917.203861
LIFT ASSEMBLY



lift-tex_52

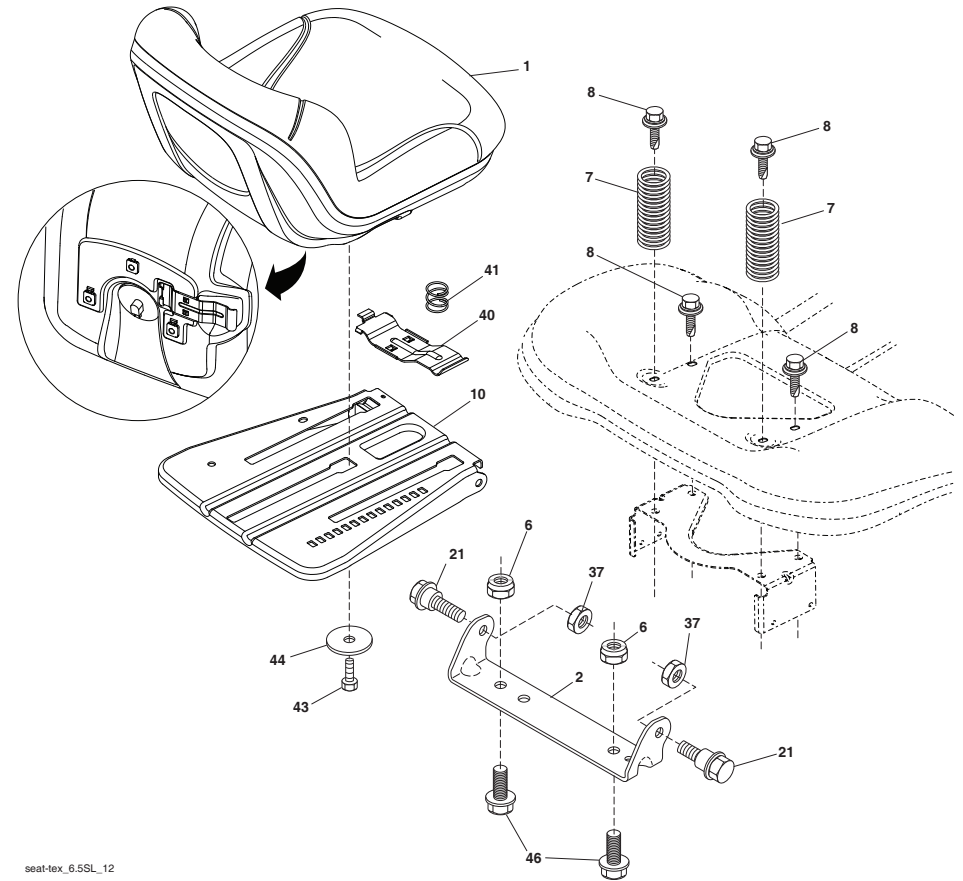
*Key 91 may be substituted for Key 101

KEY PART NO.	NO.	DESCRIPTION
2	422027	Shaft Asm., Lift
3	195231	Lever Asm., Lift RH
7	445060X428	Grip, Lever
10	196314	Spring Torsion
87	194209	Pin Cotter 7/16 Bow Tie Lock
88	410710	Spring Lift Assist
89	19191912	Washer Clear Zinc
90	194208	Pin Cotter 5/16 Bow Tie Lock
91	195181	Link Lift Susp Mower Rear

KEY PART NO.	NO.	DESCRIPTION
97	17000612	Screw 3/8-16 x .75
98	195270	Link Lift Susp. Front Mower
100	73930600	Nut Centerlock 3/8-16 unc
101	407003	Link Asm Lift Fxd
116	19151516	Washer 15/32 x 15/16 x 16 Ga.

NOTE: All component dimensions given in U.S. inches
1 inch = 25.4 mm

TRACTOR - - MODEL NUMBER 917.203861
SEAT ASSEMBLY



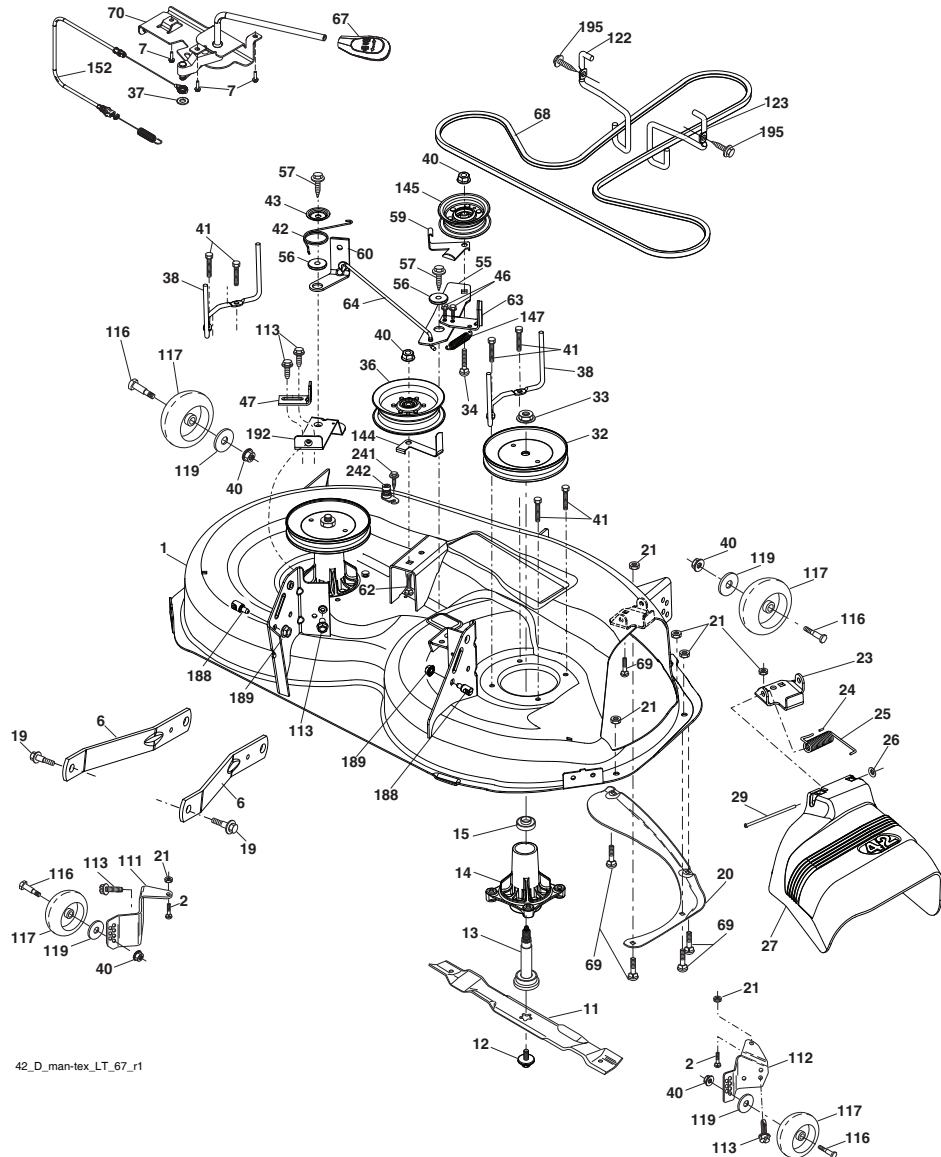
seat-tex_6.5SL_12

KEY PART NO.	NO.	DESCRIPTION
1	586507601	Seat
2	180166	Bracket Pivot Fender
6	73800600	Nut, Lock W/Ins. 3/8-16 unc
7	589483501	Spring, Seat Cprsn
8	171877	Bolt 5/16-18 uncx 3/4 w/Sems
10	587232002	Pan, Seat
21	587907801	Bolt, Shoulder 5/16-18 x 5/8
37	73800500	Nut, Lock 5/16-18 unc
40	197661	Handle Slide Seat

KEY PART NO.	NO.	DESCRIPTION
41	198200	Spring Latch Seat
43	74760612	Bolt 3/8-16 x 3/4
44	501051801	Washer Winged 3/8 ID 1.5
46	588090401	Bolt 3/8-16 x 1, 1.25 OD Wshr.

NOTE: All component dimensions given in U.S. inches
1 inch = 25.4 mm

MOWER DECK
TRACTOR -- MODEL NUMBER 917.203861



42_D_man-tex_LT_67_r1

MOWER DECK
TRACTOR -- MODEL NUMBER 917.203861

KEY PART
NO. NO.

KEY PART NO.	NO.	DESCRIPTION
1	196495	Mower Housing
2	72140506	Bolt RDHD SQNK 5/16-18 unc x 3/4
6	195186	Arm Suspension
7	416358	Screw #10 x 0.750
11	424752	Blade 42SP 3N1
12	584309301	Screw
13	587256501	Shaft Assembly, Mandrel
14	187281	Housing, Mandrel
15	585323901	Bearing, Mandrel
19	196539	Bolt, Shoulder
20	159770	Baffle Vortex
21	73680500	Nut, Crownlock 5/16-18 unc
23	192557	Bracket, Deflector
24	105304X	Cap, Sleeve
25	197026	Spring, Torsion, Deflector
26	110452X	Nut, Push
27	424469	Shield, Deflector
29	131491	Rod, Hinge
32	197473	Pulley, Mandrel
33	400234	Nut, Toplock, Flanged
34	72110612	Bolt Carr Sh. 3/8-16 x 1-1/2 Gr. 5
36	197379	Pulley, Idler, Flat
37	19131316	Washer
38	432520	Keeper Belt LH Mandrel
40	73900600	Nut, Lock Flg. 3/8-16 unc
41	584953901	Bolt Hex WSHRHD 313-18 x 1.19
42	198410	Spring Torsion Brake
43	197256	Spring Torsion Retainer
46	137729	Screw 1/4-20 x 5/8
47	197250	Bracket Clutch Cable
55	437110	Arm, Idler
56	199092	Spacer, Retainer
57	17000616	Screw 3/8-16 x 1
59	141043	Guard, Tuv Idler
60	197261	Arm Brake Mower
62	72110616	Bolt 3/8-16 unc x 2

KEY PART
NO. NO.

KEY PART NO.	NO.	DESCRIPTION
63	199477	Arm Brake Mower
64	199790	Link Brake
67	198398X667	Handle Clutch Cable
68	429636	V-Belt Drive
69	72140505	Bolt
70	199972	Clutch Asm Manual
111	404784	Bracket Wheel Gauge RH
112	404785	Bracket Wheel Gauge RH
113	17000510	Screw 5/16-18
116	4898H	Bolt Shld "A" 2.41 "B" 1.66
117	188606	Wheel Gage
119	19121414	Washer 3/8 x 7/8 x 14 Ga.
122	197258	Keeper Belt Engine LH
123	197259	Keeper Belt Engine RH
144	199204	Keeper Belt
145	193197	Pulley Idler
147	401971	Spring Return
152	584243501	Manual Clutch Cable
188	195161	Stud Fastener
189	73900500	Nut Lock Hex Flange
192	197260	Bracket Brake Stand LH
195	17000612	Screw 3/8-16 x 3/4
241	152927	Screw TT# 10-32.5.3/8 Flange
242	415598	Port Washout
--	416405	Coupling Quick Connect
--	587253301	Mandrel Assembly (Includes housing (key #14), shaft assembly (key #13), and bearing only (key #15) - pulley/nut/washer and blade bolt/washers not included.)
--	586675901	Replacement Mower, Complete

NOTE: All component dimensions given in U.S. inches
 1 inch = 25.4 mm