

CRAFTSMAN®

Product questions or problems?

1-888-331-4569

Customer Care Hot Line

Get answers to questions, troubleshoot problems,
order parts, or schedule repair service.

Para respuestas a preguntas o problemas, y ordenar
piezas o pedir servicio para la reparación de su equipo.

To help us help you, register your product at www.craftsman.com/registration

Para poderte ayudar mejor, registra tu producto en www.craftsman.com/registration

Join the Craftsman Club today!

CRAFTSMAN® CLUB

www.craftsman.com/signup

Receive exclusive member benefits including special pricing and offers,
project sharing, expert advice, and SHOP YOUR WAY REWARDS!

Como miembro exclusivo, recibe diversos beneficios como ofertas, precios especiales, proyectos
nuevos, consejos de expertos y nuestro programa de puntos SHOP YOUR WAY REWARDS!

® Registered Trademark / ™ Trademark of KCD IP, LLC in the United States, or Sears Brands, LLC in other countries
® Marca Registrada / ™ Marca de Fábrica de KCD IP, LLC en Estados Unidos, o Sears Brands, LLC in otros países

Repair Parts Manual

CRAFTSMAN®

LAWN TRACTOR

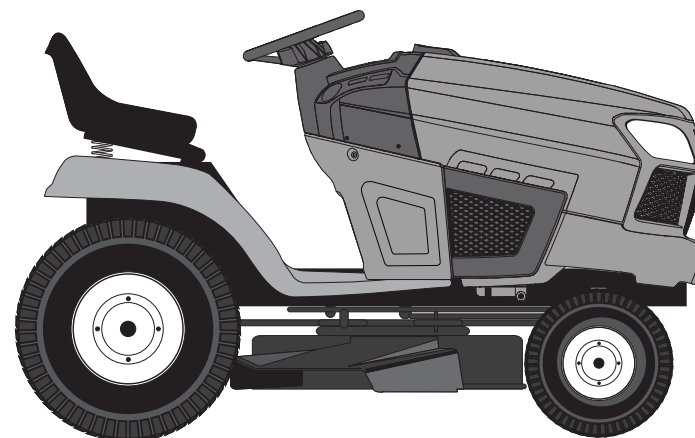
22 HP,* 54" Mower

Electric Start

Automatic Transmission

Model No.

917.203930



For answers to your questions
about this product, call:

1-888-331-4569

Craftsman Customer Help Line

Sears Brands Management Corporation, Hoffman Estates, IL 60179 U.S.A.
Visit our Craftsman website: www.craftsman.com

* The power rating as declared by the engine manufacturer is the average gross power output at the specified RPM of a typical production engine for the engine model measured using SAE Standards for engine gross power. Please refer to the engine manufacturer for details.

⚠ WARNING: This tractor is equipped with an internal combustion engine and should not be used on or near any unimproved forest-covered, brush-covered or grass-covered land unless the engine's exhaust system is equipped with a spark arrester meeting applicable local or state laws (if any). If a spark arrester is used, it should be maintained in effective working order by the operator.

In the state of California the above is required by law (Section 4442 of the California Public Resources Code). Other states may have similar laws. Federal laws apply on federal lands. A spark arrester for the muffler is available through your nearest Sears service center (See ENGINE ASSEMBLY section of this manual).

REPAIR PROTECTION AGREEMENTS

Congratulations on making a smart purchase. Your new Craftsman® product is designed and manufactured for years of dependable operation. But like all products, it may require repair from time to time. That's when having a Repair Protection Agreement can save you money and aggravation.

Purchase a Repair Protection Agreement now and protect yourself from unexpected hassle and expense.

Here's what's included in the Agreement:

- **Expert service** by our 12,000 professional repair specialists.
- **Unlimited service and no charge** for parts and labor on all covered repairs.
- **Product replacement** if your covered product can't be fixed.
- **Discount of 25%** from regular price of service and service-related parts not covered by the agreement; also, 25% off regular price of preventive maintenance check.
- **Fast help by phone** – phone support from a Sears representative on products requiring in-home repair, plus convenient repair scheduling.

Once you purchase the Agreement, a simple phone call is all that it takes for you to schedule service. You can call anytime day or night, or schedule a service appointment online.

Sears has over 12,000 professional repair specialists, who have access to over 4.5 million quality parts and accessories. That's the kind of professionalism you can count on to help prolong the life of your new purchase for years to come. Purchase your Repair Protection Agreement today!

Some limitations and exclusions apply.

For prices and additional information call 1-800-827-6655.

SEARS INSTALLATION SERVICE

For Sears professional installation of home appliances, garage door openers, water heaters, and other major home items, in the U.S.A. call 1-800-4-MY-HOME®.

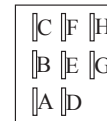
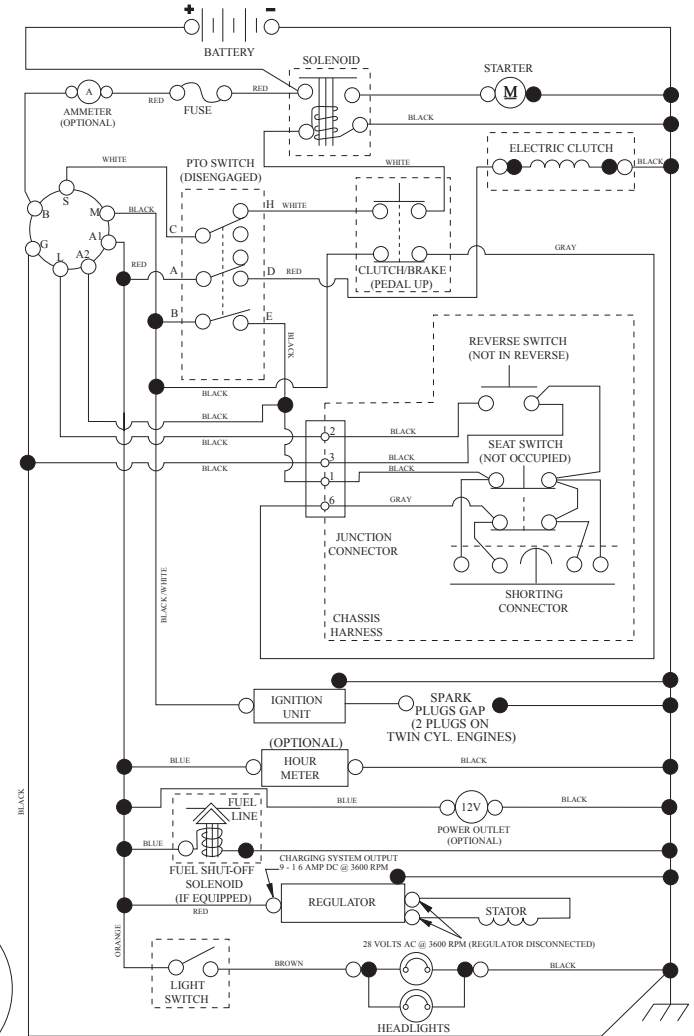
SERVICE NOTES

SERVICE NOTES

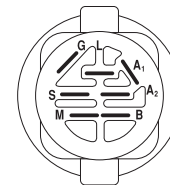
SCHEMATIC

TRACTOR -- MODEL NUMBER 917.203930

SCH12

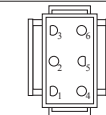


PTO SWITCH
(MATING SIDE)

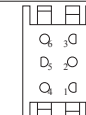


IGNITION SWITCH

POSITION	CIRCUIT	"MAKE"
OFF	M+G+A1	
RUN/OVERRIDE	B+A1	
RUN	B+A1 L+A2	
START	B+S+A1	



CHASSIS HARNESS
CONNECTOR
(MATING SIDE)



DASH HARNESS
CONNECTOR

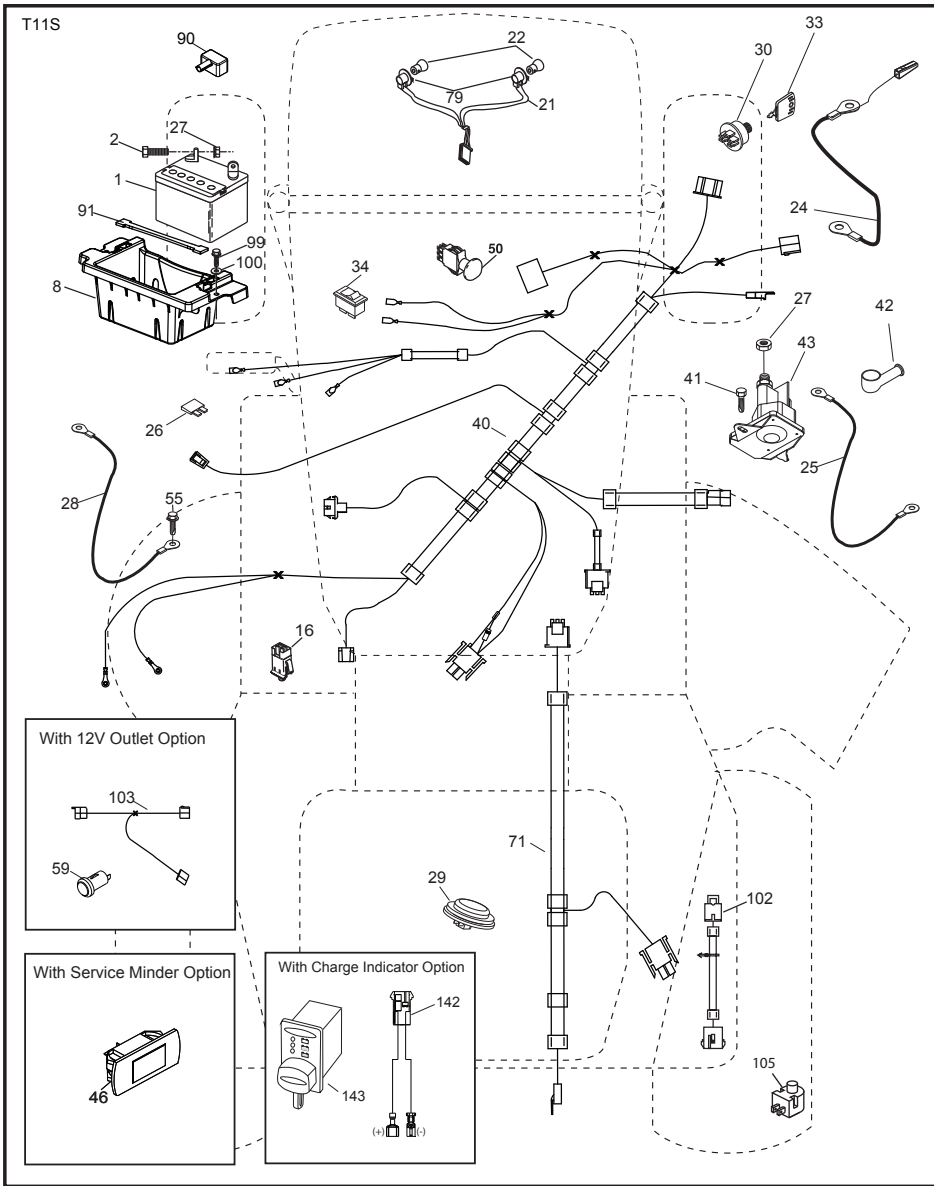
WIRING INSULATED CLIPS
NOTE: IF WIRING INSULATED
CLIPS WERE REMOVED FOR
SERVICING OF UNIT, THEY
SHOULD BE RE-INSTALLED TO
PROPERLY SECURE YOUR
WIRING.

NON-REMOVABLE
CONNECTIONS

REMOVABLE
CONNECTIONS

TRACTOR -- MODEL NUMBER 917.203930

ELECTRICAL

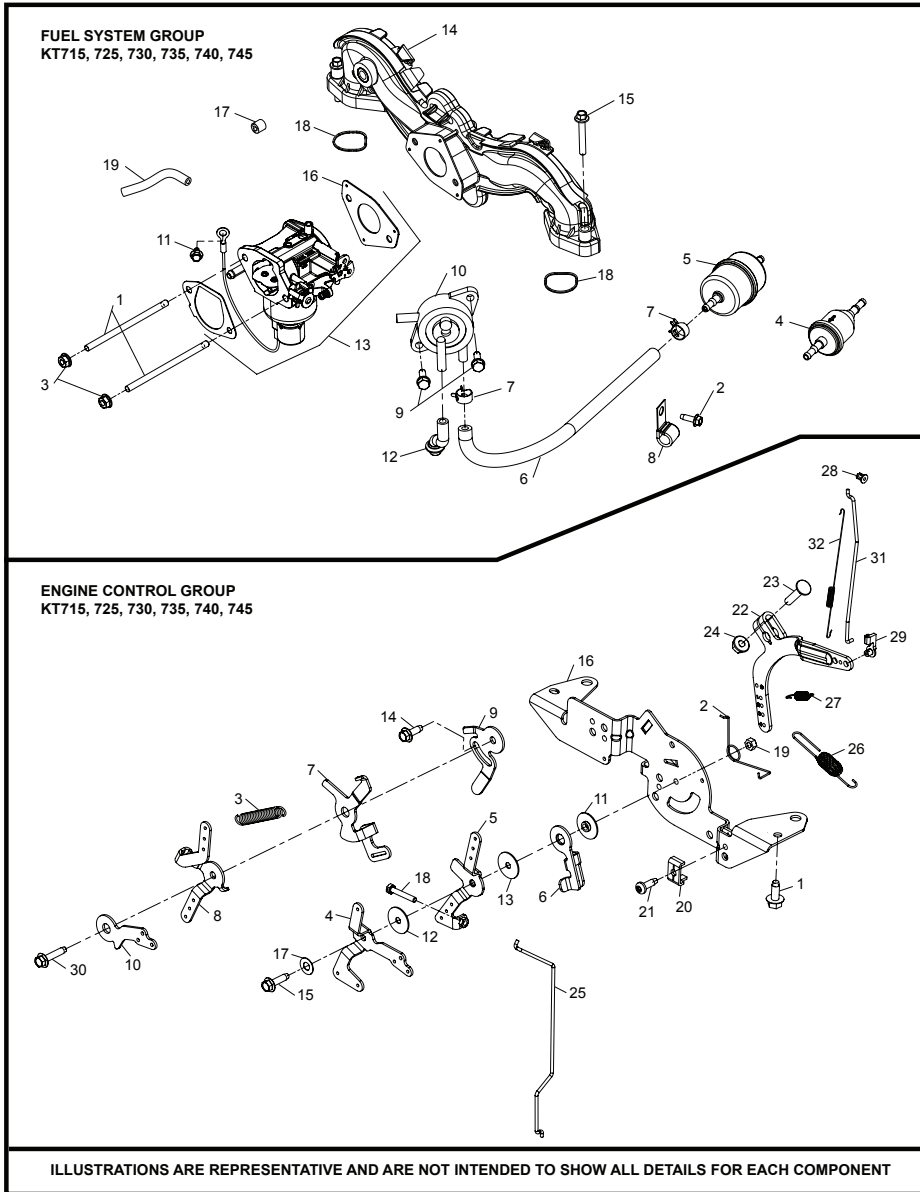


TRACTOR -- MODEL NUMBER 917.203930
 KOHL ENGINE-MODEL NUMBER KT725-3023

KEY NO.	PART NO.	DESCRIPTION - QTY
FUEL SYSTEM GROUP 8-32-86		
1	25 072 25-S	STUD - 2
2	25 086 398-S	SCREW, THREAD FORMING - 1
3	M-641060-S	NUT, FLG M6X1.0 - 2
5	24 050 13-S	FILTER, FUEL - 1
6	25 111 34-S	HOSE, LW PERM. FUEL 24.00" - USE 25 111 81-S - 1
7	25 237 37-S	CLAMP SPRING HOSE - 4
8	47 154 01-S	CLIP, CABLE - 1
9	24 086 12-S	SCREW, TAP M6X1.7X18 - 2
10	24 393 16-S	PUMP, FUEL - 1
11	25 086 400-S	SCREW, THREAD FORMING - 1
12	32 326 08-S	HOSE, PULSE PUMP - 1
13	32 853 43-S	KIT, CARBURETOR - 1
14	24 164 91-S	KIT, INTAKE MANIFOLD - 1
15	M-651040-S	SCREW, FLG M6X1.0X40 - 4
16	24 041 52-S	GASKET, CARBURETOR - 1
17	25 139 60-S	PLUG, CTSK PIPE 1/8" - 1
18	24 153 27-S	O-RING, INTAKE PORT - 2

KEY NO.	PART NO.	DESCRIPTION - QTY
ENGINE CONTROLS GROUP 9-32-34		
1	25 086 397-S	SCREW, THREAD FORMING - 4
2	24 089 03-S	SPRING, CHOKE RETURN - 1
4	24 090 05-S	LEVER, CHOKE - 1
5	24 090 13-S	LEVER, THROTTLE CONTROL - 1
6	24 090 47-S	LEVER, THROTTLE ACTUATOR - 1
11	24 112 27-S	SPACER, CONTROL ASSEMBLY - 1
12	24 468 01-S	WASHER, FLAT 5.5 MM - 1
13	24 468 20-S	WASHER, FLAT 5 MM - 1
14	25 086 398-S	SCREW, THREAD FORMING - 1
15	25 086 399-S	SCREW, THREAD FORMING - 1
16	32 126 04-S	BRACKET, CONTROL - 1
17	41 468 03-S	WASHER, SPRING 1/4" - 1
18	M-403025-S	SCREW, SLT HD CAP M4X0.7X25 - 1
19	M-547050-S	NUT, LOCK M5X.8 - 1
20	12 237 01-S	CLAMP, CABLE - 2
21	25 086 405-S	SCREW, THREAD FORMING - 2
22	24 090 57-S	LEVER, GOVERNOR - (#2409069S) - 1
23	24 211 03-S	BOLT, RD HD SQ NECK M6X1.0X25 - 1
24	M-641060-S	NUT, FLG M6X1.0 - 1
25	24 079 22-S	LINKAGE, CHOKE - 1
26	24 089 25-S	SPRING, GOVERNOR (ORANGE) - 1
27	24 089 55-S	SPRING, GOVERNED IDLE - 1
28	25 158 08-S	BUSHING, LINKAGE RETAINING - 1
29	25 158 11-S	BUSHING, THROTTLE LINKAGE - 1
31	32 079 01-S	LINKAGE, THROTTLE - 1
32	32 089 07-S	SPRING, LINKAGE - 1

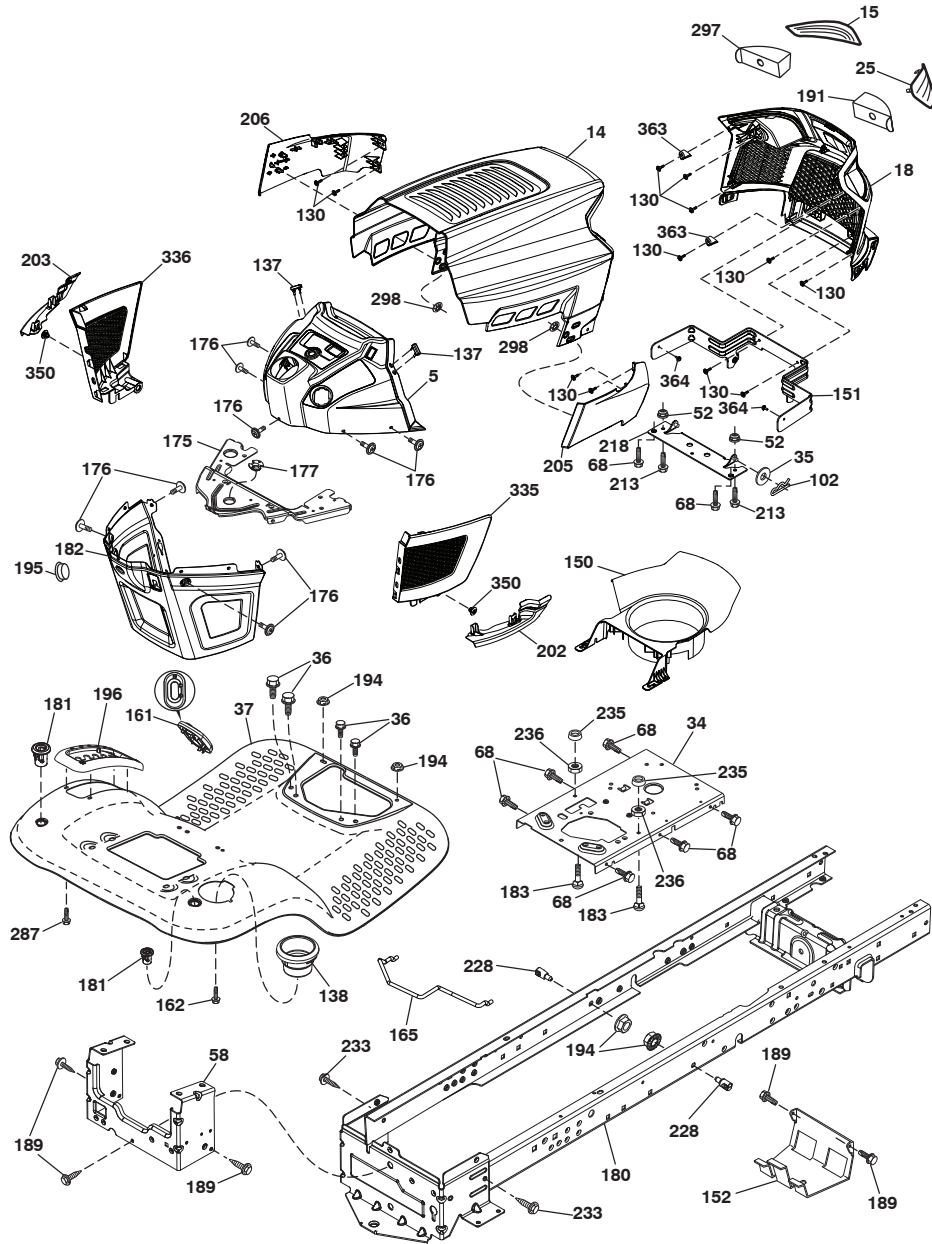
NOTE: All component dimensions given in U.S. inches
 1 inch = 25.4 mm



KEY PART NO.	PART NO.	DESCRIPTION
1	163465	Battery
2	74760412	Bolt Hex Hd. 1/4-20 unc x 3/4
8	186491	Box Battery
16	176138	Switch Interlock Push-In
21	400252	Harness Socket Light w/4152J
22	4152J	Bulb Light
24	585555601	Cable Battery
25	585555501	Cable Starter
26	175158	Fuse
27	73510400	Nut Keps Hex 1/4-20 unc
28	416588	Cable, Ground
29	401545	Switch, Seat
30	193350	Switch, Ign.
33	411932	Key/Chain
34	110712X	Switch Light/Reset
40	401104	Harness Ign. Dash
41	17720408	Screw Thd. Cut 1/4-20 x 1/2
42	131563	Cover, Terminal
43	192507	Solenoid
46	401763	Gauge Hourmeter
50	174652	Switch PTO
55	17060512	Screw Thdrol. 5/16-18 x 3/4 TYTT
71	194276	Harness Ign.
79	175242	Socket Asm. Bulb Twistlock
90	435395	Cover Terminal Battery
91	190270	Strap Battery Mount Front
99	17670412	Screw Hexwsh. Thdrol. 1/4-20 x 3/4
100	19091416	Washer 9/32 x 7/8 x 16 Ga.
102	581023401	Harness Pigtail
105	407568	Switch Reverse TT Pedal Control

NOTE: All component dimensions given in U.S. inches
 1 inch = 25.4 mm

TRACTOR - - MODEL NUMBER 917.203930
CHASSIS ASSEMBLY



chassis-tex_TALON II_3

TRACTOR - - MODEL NUMBER 917.203930
KOHL ENGINE-MODEL NUMBER KT725-3023

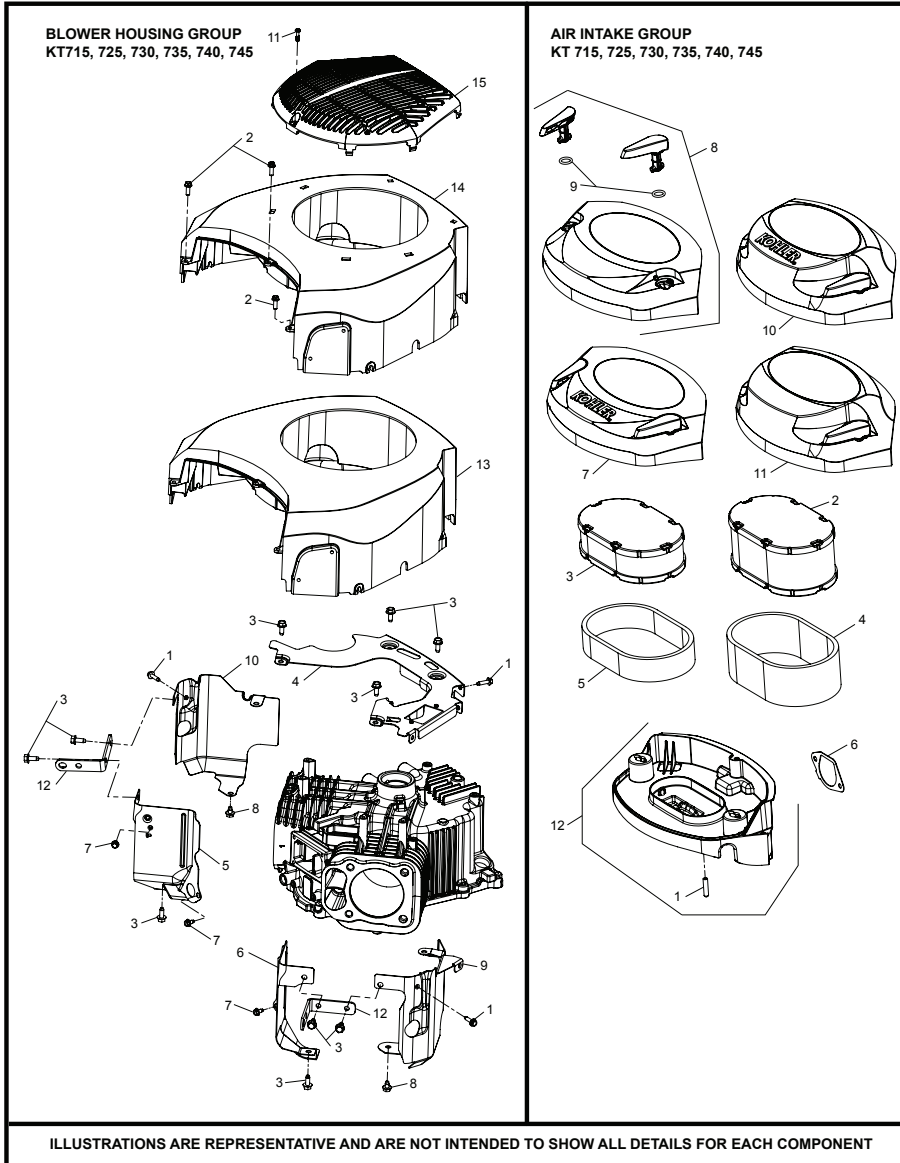
KEY NO.	PART NO.	DESCRIPTION - QTY
BLOWER HOUSING GROUP 6-32-23		
1	25 086 399-S	SCREW, THREAD FORMING - 6
2	25 086 450-S	SCREW, HI-LOW - 3
3	25 086 397-S	SCREW, THREAD FORMING - 8
4	32 146 15-S	PLATE, BACKING - 1
5	32 063 19-S	BAFFLE, VALLEY #1 - 1
6	32 063 20-S	BAFFLE, VALLEY #2 - 1
7	25 086 400-S	SCREW, THREAD FORMING - 2
8	25 086 406-S	SCREW, THREAD FORMING - 2
9	32 063 17-S	BAFFLE, LEFT BARRE - 1
10	32 063 18-S	BAFFLE, RIGHT BARREL - 1
12	32 445 01-S	STRAP, LIFTING - 2
13	32 027 16-S	HOUSING, BLOWER - 1

KEY NO.	PART NO.	DESCRIPTION - QTY
AIR INTAKE GROUP 10-32-13		
1	25 173 09-S	CAP, MASKING - 1
3	32 083 09-S	ELEMENT, AIR FILTER - 1
6	32 041 04-S	GASKET, AIR CLEANER BASE - 1
7	32 096 20-S	COVER ASSEMBLY, AIR CLEANER - 1
9	25 153 15-S	O-RING - 2
12	32 094 13-S	BASE ASSEMBLY, AIR CLEANER - 1

NOTE: All component dimensions given in U.S. inches
 1 inch = 25.4 mm

**TRACTOR - - MODEL NUMBER 917.203930
KOHLE ENGINE-MODEL NUMBER KT725-3023**

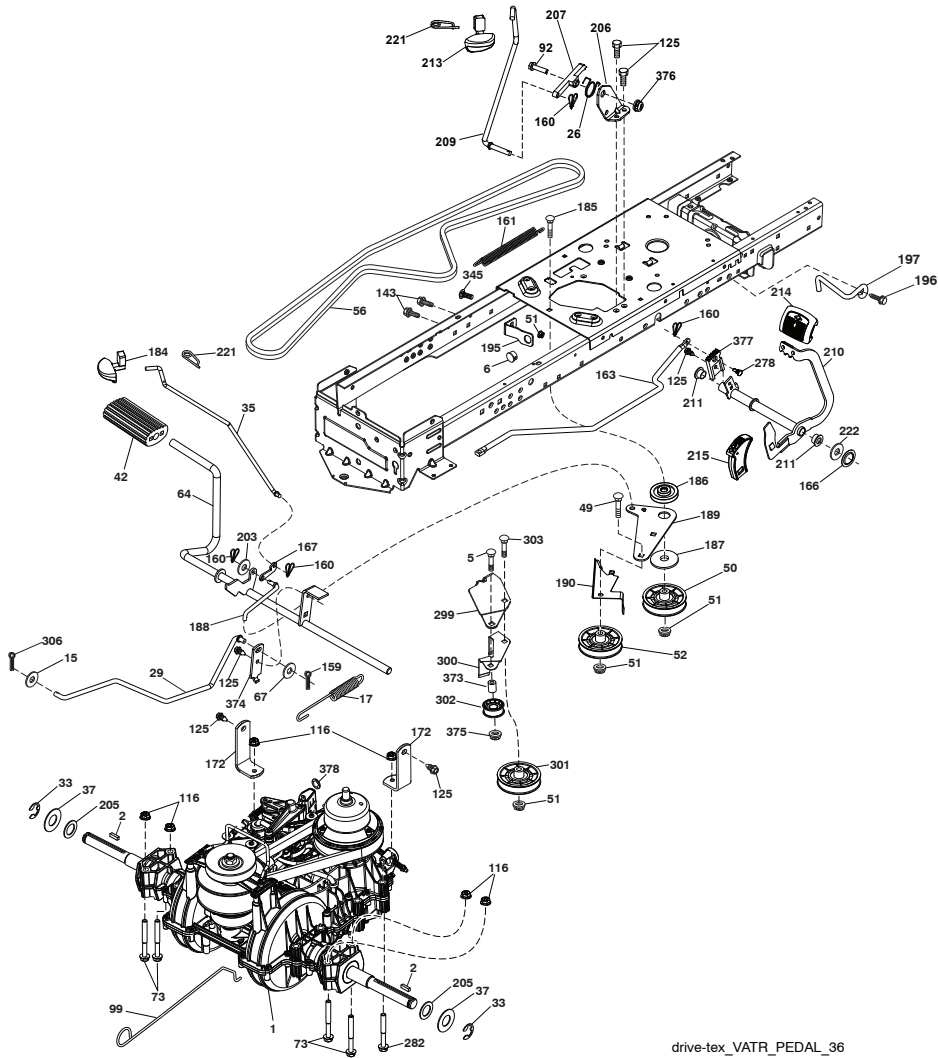
**TRACTOR - - MODEL NUMBER 917.203930
CHASSIS ASSEMBLY**



KEY PART NO. NO.	DESCRIPTION
5	580485802 Dash
14	580354406 Hood
15	580485601 Lens LH
18	580485302 Grille
25	580484501 Lens RH
34	580910801 Plate engine
35	191111116 Washer 11/32 x 11/16 x 16 Ga.
36	17060512 Screw 5/16-18 x 3/4
37	414878X615 Fender
52	73680500 Nut Crown lock 5/16-18
58	412280 Drawbar
68	17490508 Screw Thrdol 5/16-18 x 1/2
102	4497H Retainer Spring 1"
130	416358 Screw # 10 x .750 BOS Thread
137	407590 Bumper Dash
138	193224X428 Cupholder
150	580485501 Duct Heat Hood
151	580663302 Bracket Pivot
152	199535 Shield Browning/Debris
161	193229X428 Window Fuel
162	142432 Screw Hex Wsh Hi-Lo 1/4 x 1/2
165	196826 Support Tank Rear
175	196304 Crossmember
176	400776 Screw 10-24 x 5/8 Wshd Qdix
177	195227 Bushing Steering
180	415063 Chassis
181	193102X428 Bushing Mtg. Fender Crgo.
182	406859 Dash Lower
183	74520520 Bolt 5/16-18 x 1-1/4
189	17000512 Screw 5/16-18 x 3/4
191	580485101 Mylar Headlight RH
194	73900500 Nut Lock Hex Flange 5/16-18
195	401556X428 Plug Hole Dash 12V Adapter
196	431658 Console Asm. Deck Lift
202	580485001 C-Closeout Lwr Trm RH
203	580484801 C-Closeout Lwr Trm LH
205	580843706 Assembly Corner RH
206	580843806 Assembly Corner LH
213	74760512 Bolt hex HD 5/16-18 unc x 3/4
218	580897301 Pivot Hood Assy
228	195161 Stud Fastener
233	196539 Bolt Shoulder
235	406129 Spacer Fender
236	73930500 Nut Center Lock 5/16-18
287	17600406 Screw Hex Washhead 1/4-20 x 3/8
297	580484901 Mylar Headlights LH
298	580851001 Nut Push
335	580484602 C-Side Closeout RH
336	580484402 C-Side Closeout LH
350	445143 Clip X-Mass Tree
363	580724501 Cap Talon Grille
364	17060408 Screw

NOTE: All component dimensions given in U.S. inches
1 inch = 25.4 mm

TRACTOR - - MODEL NUMBER 917.203930
GROUND DRIVE



drive-tex_VATR_PEDAL_36

TRACTOR - - MODEL NUMBER 917.203930
KOHL ENGINE-MODEL NUMBER KT725-3023

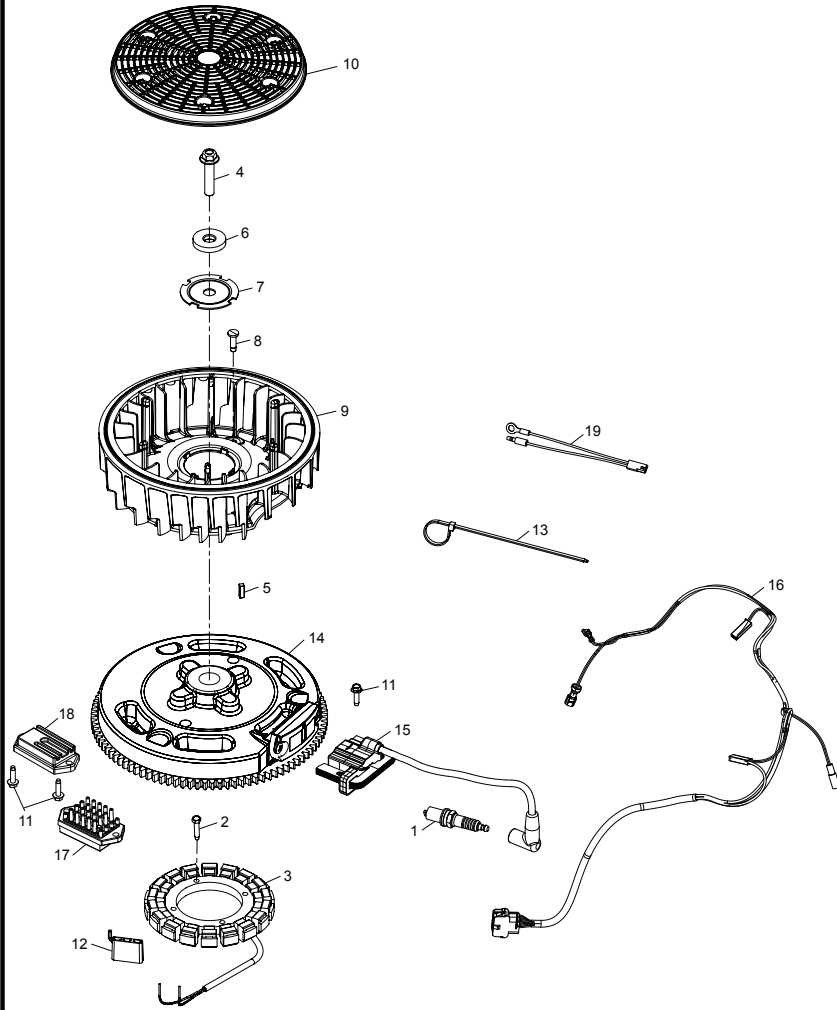
KEY NO.	PART NO.	DESCRIPTION - QTY
IGNITION/CHARGING GROUP 5-32-122		
1	25 132 12-S	PLUG, SPARK (PRO SERIES) - 2
2	25 086 402-S	SCREW, THREAD FORMING - 2
3	237878-S	KIT, 15 / 20 AMP STATOR - 1
4	25 086 361-S	SCREW, HEX FLANGE - 1
5	25 340 04-S	KEY, SQUARE - 1
6	25 468 09-S	WASHER, FLAT - 1
7	20 146 05-S	PLATE, FAN MOUNTING - 1
8	32 018 03-S	RETAINER, FLYWHEEL FAN - 2
9	32 157 04-S	FAN - 1
10	32 162 03-S	SCREEN, GRASS - 1
11	25 086 399-S	SCREW, THREAD FORMING - 4
12	25 155 41-S	CONNECTOR - 1
13	25 454 03-S	TIE, WIRE - 1
14	32 025 25-S	FLYWHEEL ASSEMBLY - 1
15	32 584 06-S	MODULE, IGNITION - 2
16	32 176 33-S	HARNESS, WIRING ASSEMBLY - 1
18	41 403 10-S	REGULATOR/RECTIFIER - 1
19	32 518 02-S	LEAD, JUMPER - 1

NOTE: All component dimensions given in U.S. inches
 1 inch = 25.4 mm

TRACTOR - - MODEL NUMBER 917.203930
KOHL ENGINE-MODEL NUMBER KT725-3023

TRACTOR - - MODEL NUMBER 917.203930
GROUND DRIVE

IGNITION GROUP
 KT715, 725, 730, 735, 740, 745



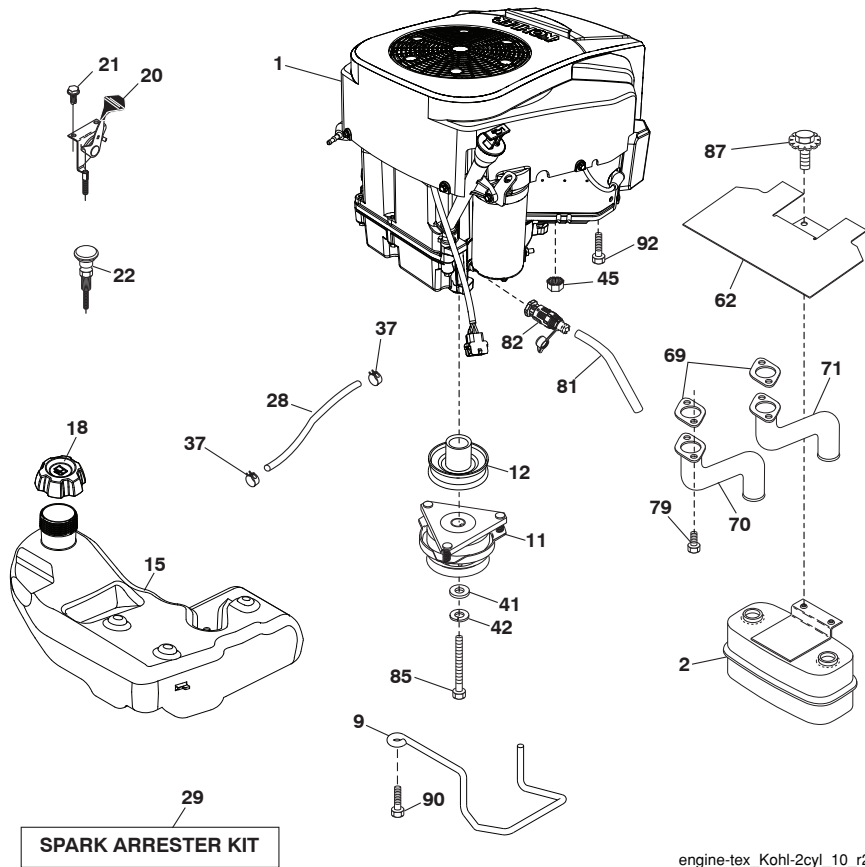
ILLUSTRATIONS ARE REPRESENTATIVE AND ARE NOT INTENDED TO SHOW ALL DETAILS FOR EACH COMPONENT

KEY PART NO.	NO.	DESCRIPTION	KEY PART NO.	NO.	DESCRIPTION
1	-----	Transmission, Variator SD Pedal (584973901) (See transaxle breakdown.)	188	194323	Link Clutch Ground Drive
2	123583X	Key Square	189	194317	Bellcrank Grounddrive Nstg/Nstl
5	74760636	Bolt Hex HS 3/8-16 unc	190	194318	Keeper Bellcrank Drive Ground
6	124028X	Bushing Snap	195	581504601	Brake Bracket
15	19131316	Washer 13/32 x 13/16 x 16 Ga.	196	17000616	Screw 3/8-16 x 1
17	584954001	Spring Brake	197	195804	Link Clutch Anti-Rotation
26	199679	Spring Return Cruise	203	19111116	Washer 11/32 x 11/16 x 16 Ga.
29	584823101	Rod Brake	205	121748X	Washer 25/32 x 1-5/8 x 16 Ga.
33	12000001	E-Ring	206	448596	Bracket Mount Latch Cruise
35	583864501	Rod Brake Parking	207	448264	Latch Control Cruise
37	188967	Washer Harden .793 x 1.637 x 060	209	199592	Rod Control Cruise
42	8833R	Cover Pedal Blk Round	210	448270	Weldment Pedal
49	72110614	Bolt Rdhd 3/8-16unc x1-3/4 Gr.5	211	120183	Bearing Nylon
50	194327	Idler.Flat	213	196441X428	Knob Control Cruise
51	73900600	Nut Hex Flangelock 3/8-16	214	421263	Pedal Forward Pad
52	194326	Idler V-Groove Offset	215	448254	Cap Pedal Reverse
56	197253	Belt Drive	221	403187	Retainer Spring Clip Handle
64	448353	Shaft Asm. Pedal Brake	222	79212010	Washer 21/32 x 1-1/4 10 Ga.
67	19131312	Washer 13/32 x 13/16 x 12 Ga.	278	580369101	Bolt Cruise Variator
73	74490544	Bolt Hex Flghd 5/16-18 Gr. 5	282	74490548	Screw Thdrol 5/16-18 x 3
92	74760520	Bolt	299	415683	Bracket Mount Idler
99	435935	Rod Bypass	300	415681	Keeper Idler Rear
116	73900500	Nut Lock Hex Flange 5/16-18 unc	301	415680	Pulley Idler V-Groove
125	17000512	Screw 5/16-18 x 3/4 Smgml Tap/Bl	302	581420501	Pulley Idler Flat 2.0 Od
143	17490508	Screw Thdrol 5/16-18 x 1/2 Tytt	303	72110618	Bolt Rdhd Sgnk 3/8-16 x 2-1/4
159	76020412	Pin Cotter 1/8 x 3/4	306	76020416	Cotter Pin
160	169484	Retainer Clip(M) Dia. 290	345	721106-06	Bolt Rdhd Sgnk 3/8-16 x 1 Gr. 5
161	105709X	Spring Return Clutch 6.75	373	581461801	Spacer Idler
163	583971301	Rod Control Pedal	374	581475201	Bracket Brake Arm
166	429164	Nut Push .625	375	73680600	Nut Crownlock 3/8-16 unc
167	405257	Latch Brake Parking	376	426589	Nut Flange Hex 5/16 x 18
172	583974201	Strap Torque LH/RH	377	584303401	Gear Sector
184	196439X667	Handle Parking Brake	378	584287701	Nut Push 8 mm
185	72110622	Bolt Rdhd 3/8-16 unc x 2-3/4 Gr.5			
186	194321	Spacer Retainer			
187	19133210	Washer 13/32 x 2 x 10 Ga.			

NOTE: All component dimensions given in U.S. inches
 1 inch = 25.4 mm

ENGINE

TRACTOR - - MODEL NUMBER 917.203930



TRACTOR - - MODEL NUMBER 917.203930
KOHHL ENGINE-MODEL NUMBER KT725-3023

KEY NO.	PART NO.	DESCRIPTION - QTY
CYLINDER HEAD/BREATHER GROUP 4-32-14		
1	32 841 02-S	KIT, CYLINDER HEAD GASKET - 2
2	62 086 08-S	SCREW, FLG M10X1.5X90 - 8
3	32 017 01-S	VALVE, INTAKE - 2
4	32 016 01-S	VALVE, EXHAUST - 2
5	275067-S	SPACER (.010") - 2
6	12 755 03-S	KIT, RETAINER - 8
7	25 032 14-S	SEAL, VALVE BAND - 2
8	25 173 28-S	CAP, VALVE SPRING - 4
9	32 089 05-S	SPRING, VALVE - 4
10	25 599 01-S	PIVOT, ROCKER ARM - 4
11	32 019 02-S	TAPPET - 4
12	32 072 04-S	STUD, ROCKER - 4
13	32 100 05-S	HEX NUT ASSEMBLY - 4
14	25 086 168-S	SCREW, SET - 4
15	32 146 09-S	PLATE, GUIDE - 2
16	32 186 03-S	ARM, ROCKER - 4
17	32 411 04-S	ROD, PUSH - 4
18	25 086 374-S	SCREW, PAN HEAD - 8
19	25 096 09-S	COVER, ROCKER STAMPED STEEL - 1
20	12 402 02-S	REED, BREATHER - 1
21	32 050 06-S	FILTER, BREATHER - 1
22	32 468 01-S	WASHER, SEALING - 1
23	M-547050-S	NUT, LOCK M5X.8 - 1
24	25 096 11-S	COVER, ROCKER STAMPED STEEL - 1
25	32 318 21-S	HEAD, ASSEMBLY CYLINDER (#1) - 1
26	32 318 22-S	HEAD, ASSEMBLY CYLINDER (#2) - 1
27	25 326 62-S	HOSE, BREATHER - 1
28	32 096 16-S	OVER, BREATHER REED - 1
29	32 072 05-S	STUD - 1
30	16 096 02-S	COVER, BREATHER MEDIA - 1
31	66 018 04-S	RETAINER, REED - 1
32	25 086 400-S	SCREW, THREAD FORMING - 4

EXHAUST GROUP 4-32-14

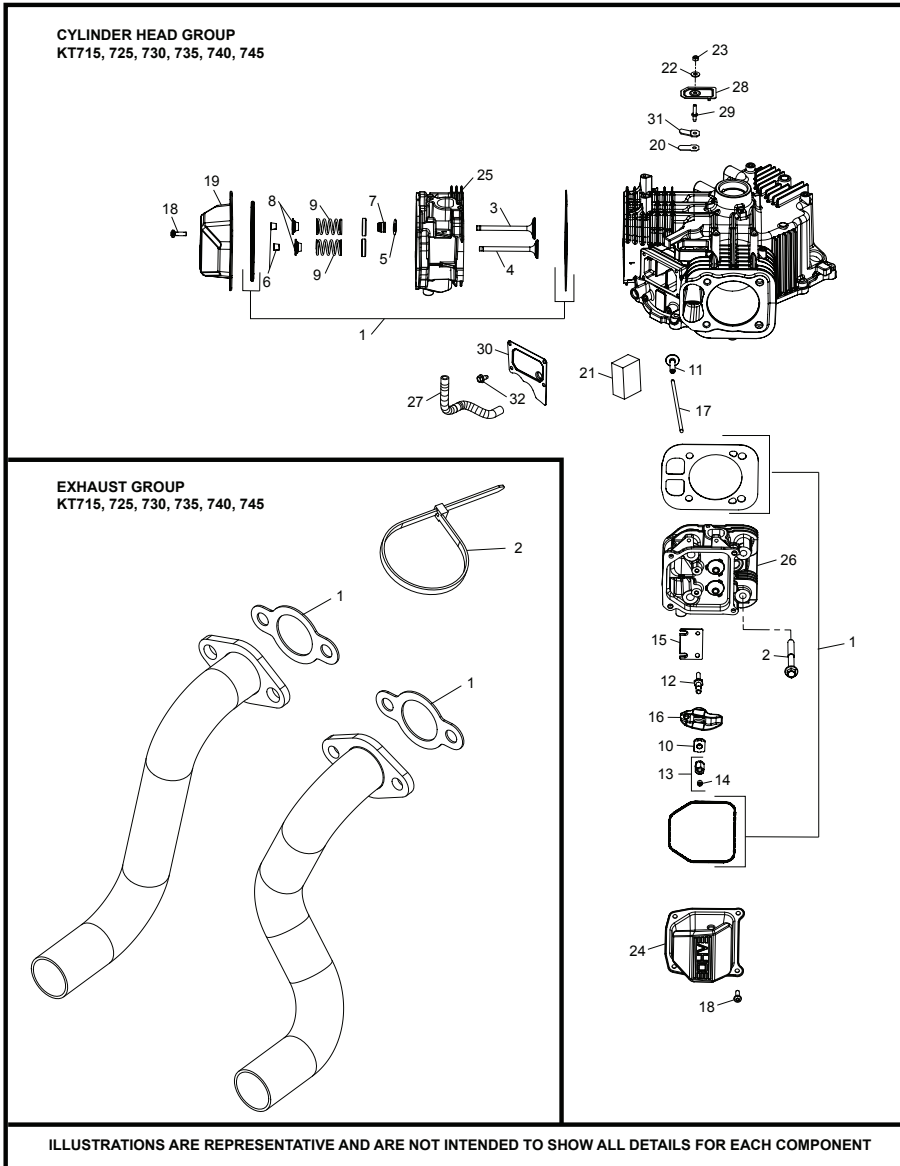
1	24 041 49-S	GASKET, EXHAUST MANIFOLD (KM)
2	25 454 05-S	TIE, WIRE (KM) (CKY)

NOTE: All component dimensions given in U.S. inches
1 inch = 25.4 mm

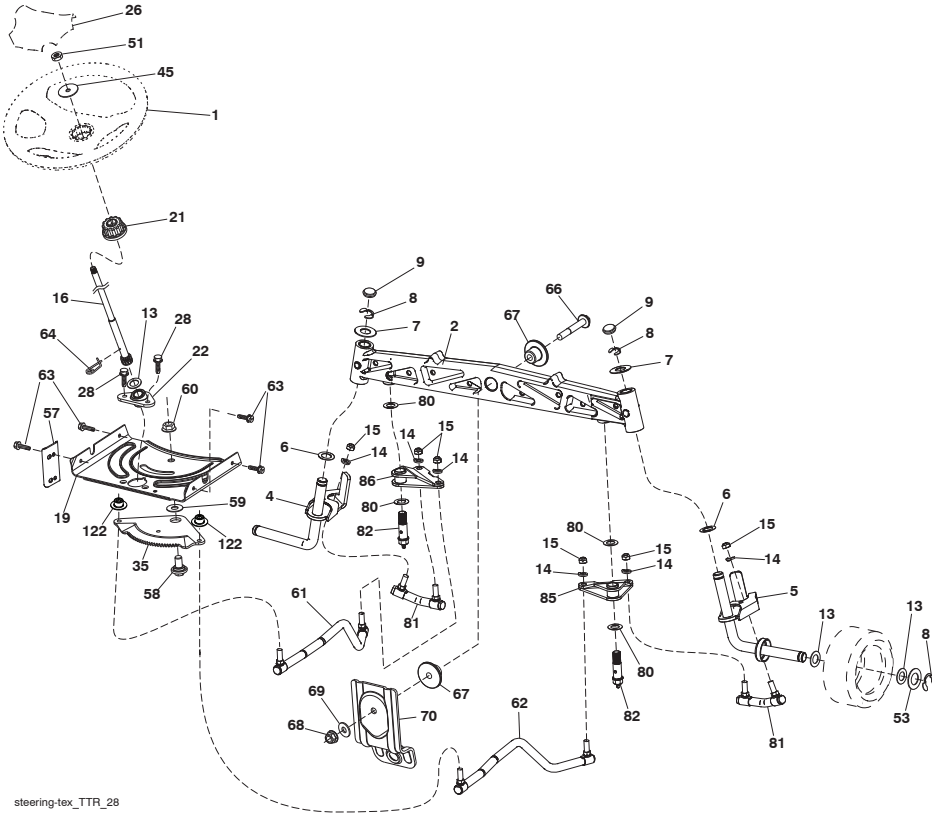
TRACTOR - - MODEL NUMBER 917.203930
KOHL ENGINE-MODEL NUMBER KT725-3023

ENGINE

TRACTOR - - MODEL NUMBER 917.203930



TRACTOR - - MODEL NUMBER 917.203930
STEERING ASSEMBLY



steering-tox_TTR_28

TRACTOR - - MODEL NUMBER 917.203930
KOHL ENGINE-MODEL NUMBER KT725-3023

KEY NO.	PART NO.	DESCRIPTION - QTY
LUBRICATION GROUP 3-24-45		
1	24 086 17-S	SCREW, FLG M8X1.25X45 - 10
2	25 032 06-S	SEAL, OIL - 1
3	25 139 57-S	PLUG, SQ HD PIPE 3/8" - 2
4	32 199 17-S	PAN ASSEMBLY, OIL - 1
5	12 144 02-S	SHAFT, GOVERNOR GEAR - 1
6	12 380 01-S	PIN, GOVERNOR REGULATING - 1
7	24 448 02-S	TAB, LOCKING 1
8	32 310 02-S	KIT, GOVERNOR GEAR - 1
9	24 393 51-S	PUMP ASSEMBLY, OIL-USE 24 393 53-S - 1
10	25 086 414-S	SCREW, BUTTON HEAD - 3
11	52 050 02-S	OIL FILTER - 1
12	32 089 06-S	SPRING, COMPRESSION - 1
13	32 162 06-S	SCREEN, OIL - 1
14	25 139 60-S	PLUG, CTSK PIPE 1/8" - 1

STARTING GROUP 7-32-11

1	32 098 04-S	ELECTRIC STARTER-BENDIX DRIVE - 1
2	M-851080-S	SCREW, FLG M8X1.25X80 - 2

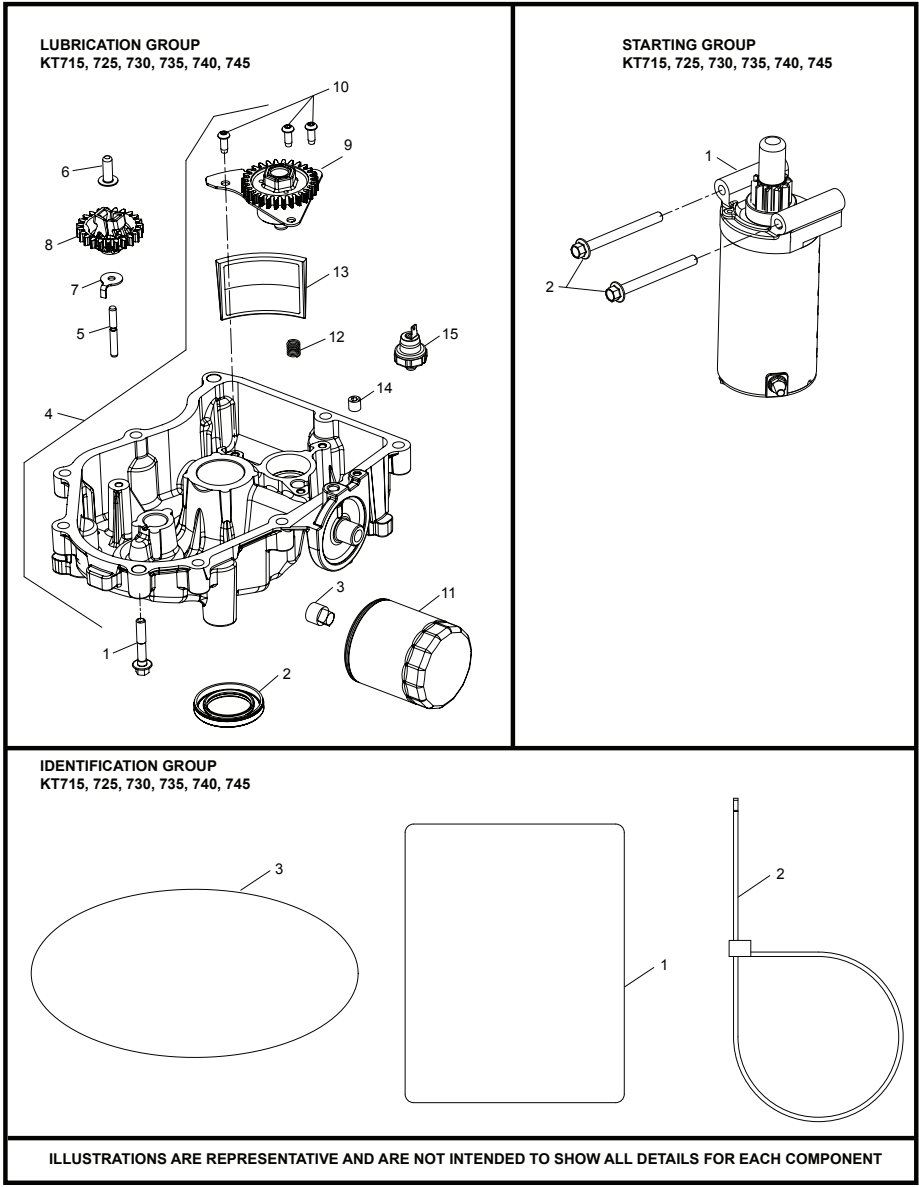
IDENTIFICATION GROUP 12-32-53

1	25 113 70-S	LABEL, CLEAR LAMINATION - 1
2	25 454 05-S	TIE - 1
3	32 113 108-S	LABEL, 22HP - 1

NOTE: All component dimensions given in U.S. inches
 1 inch = 25.4 mm

TRACTOR - - MODEL NUMBER 917.203930
KOHL ENGINE-MODEL NUMBER KT725-3023

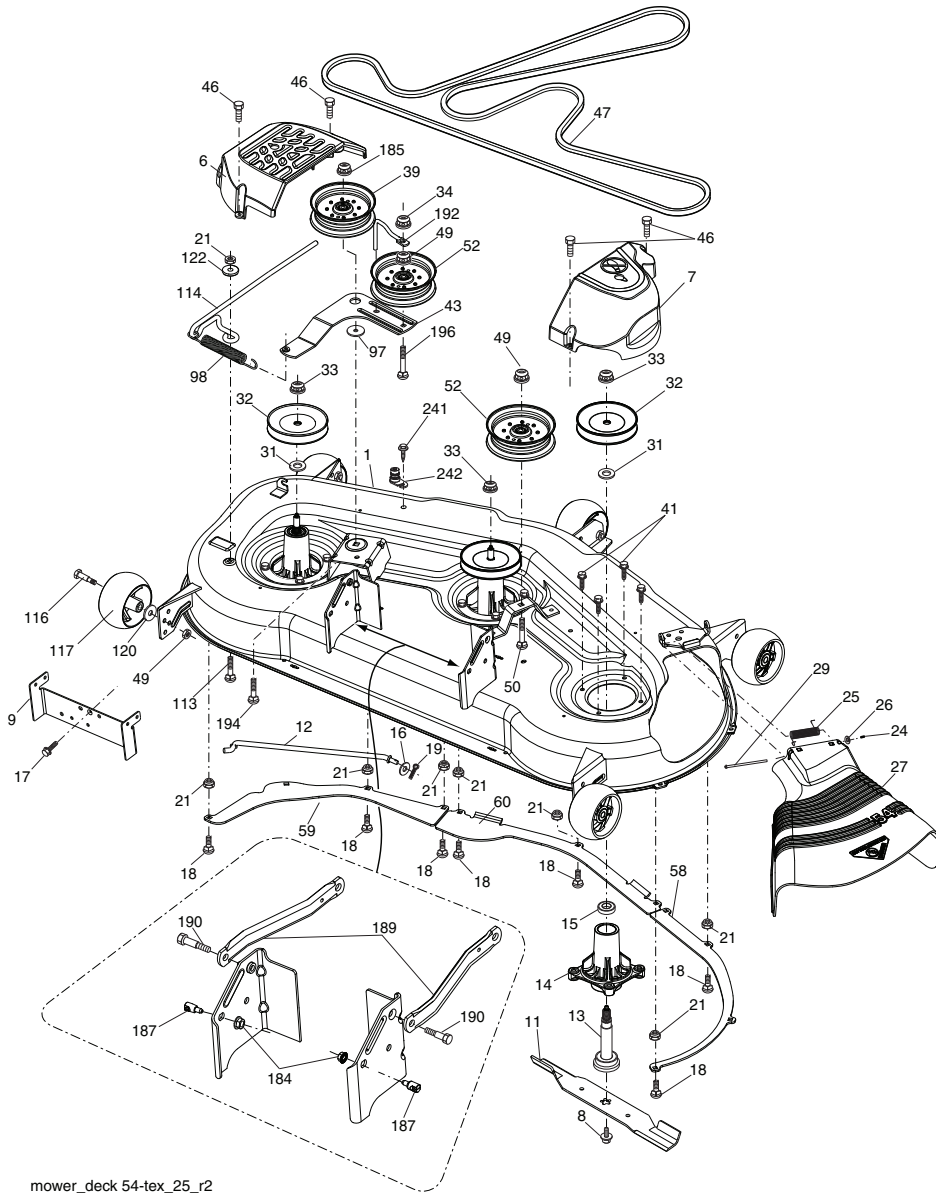
TRACTOR - - MODEL NUMBER 917.203930
STEERING ASSEMBLY



KEY PART NO.	NO.	DESCRIPTION
1	414851X428	Wheel, Steering
2	436870	Axle Asm., Front
4	436873	Spindle Asm., LH
5	436874	Spindle Asm., RH
6	6266H	Bearing, Race Thrust Harden
7	121748X	Washer 25/32 x 1-5/8 x 16 Ga.
8	12000029	Ring, Clip #T5304-75
9	184946X667	Cap, Spindle
13	121749X	Washer 25/32 x 1-1/4 x 16 Ga.
14	10040600	Washer, Lock Hvy Hlcl Spr 3/8
15	73540600	Nut, Crown Lock 3/8-24 unf
16	440785	Shaft Steering
19	194729	Plate Steering
21	437747	Adapter, Wheel Steering
22	194845	Supt., Strg. Lower
26	414852X615	Insert, Wheel Steering
28	17000612	Screw 3/8-16 x 3/4
35	440770	Gear, Sector Plate
45	19183812	Washer 9/16 x 2-3/8 x 12 Ga.
51	73940800	Nut Hex Jam Toplock 1/2-20 unf
53	188967	WasherHardened.793x1.637x.060
57	197246	Bracket Upstop
58	194747	Bolt Shoulder Sector Pivot CFM
59	194748	Washer Thrust Sector Steering
60	73971000	Nut Flange Lock 5/8-11
61	436884	Draglink, LH
62	436885	Draglink, RH
63	17000512	Screw 5/16-18 x 3/4
64	199849	Retainer Clip Spring Steering
66	71020748	Bolt Hex Fghd 7/16-14 x 3 Serr
67	194737	Bushing PM Front Axle
68	73900700	Nut Lock Flange 7/16-14 Gr. 5
69	199162	Washer 1.5 x .505 x .118
70	196197	Bracket Deck Susp. Front
80	1370H	Washer Thrust 5/8 x 1.10 x 1/32
81	436887	Link Cross
82	436 877	Pivot Bolt
85	441873	Pivot Weldment RH
86	441872	Pivot Weldment LH
122	444962	Cap Gear Sector Tex

NOTE: All component dimensions given in U.S. inches
 1 inch = 25.4 mm

MOWER DECK
TRACTOR -- MODEL NUMBER 917.203930



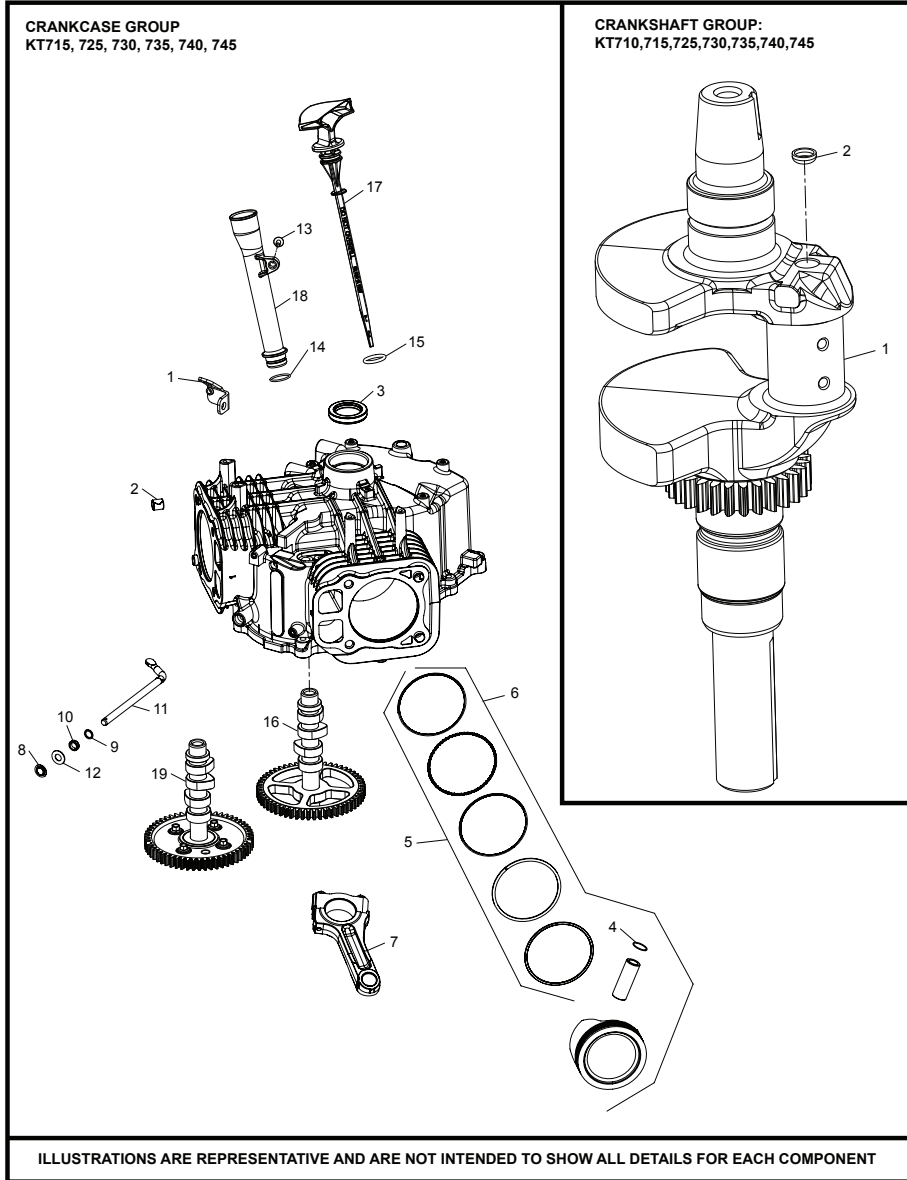
mower_deck 54-tex_25_r2

TRACTOR -- MODEL NUMBER 917.203930
KOHL ENGINE-MODEL NUMBER KT725-3023

KEY NO.	PART NO.	DESCRIPTION - QTY
CRANKCASE GROUP 2-32-15		
1	24 126 243-S	LIFTING STRAP - 1
2	24 380 16-S	PIN, LOCATING - 6
3	24 032 19-S	SEAL, OIL (HELIX LIP) - 1
4	24 018 01-S	RETAINER, PISTON PIN - 4
5	25 108 01-S	RING SET (STD) - 2
5	25 108 02-S	RING SET (+0.08) - 2
5	25 108 03-S	RING SET (+0.25) - 2
5	25 108 04-S	RING SET (+0.50) - 2
6	25 874 13-S	PISTON KIT, 725CC (STD) - 2
6	25 874 15-S	PISTON KIT, 725CC (0.08) - 2
6	25 874 16-S	PISTON KIT, 725CC (+0.25) - 2
6	25 874 17-S	PISTON KIT, 725CC (+0.50) - 2
7	24 067 28-S	ROD, ASSY CONNECTING (STD)-(#2406730S) - 2
7	24 067 29-S	ROD ASSY, CONNECTING U/S (.010") (.25 MM) -USE 24 067 31-S - 2
8	24 018 09-S	RETAINER, RING - 1
9	24 468 15-S	WASHER, FLAT 11/32" - 1
10	28 032 09-S	SEAL, GOVERNOR CROSS SHAFT - 1
11	24 144 38-S	SHAFT, GOVERNOR CROSS - 1
12	M-931010-S	WASHER, FLAT 9 MM - 1
13	25 086 398-S	SCREW, THREAD FORMING - 1
14	12 153 07-S	O-RING - 1
15	25 153 09-S	O-RING - 1
16	32 010 07-S	CAMSHAFT ASSEMBLY - 1
17	32 038 12-S	DIPSTICK ASSEMBLY - 1
18	32 123 14-S	TUBE ASSEMBLY, OIL FILL - 1
CRANKSHAFT GROUP 1-32-12		
1	32 014 327-S	CRANKSHAFT ASSY (1.000" X 3.16") - 1
2	52 139 09-S	PLUG, CUP - 1

NOTE: All component dimensions given in U.S. inches
 1 inch = 25.4 mm

TRACTOR - - MODEL NUMBER 917.203930
KOHL ENGINE-MODEL NUMBER KT725-3023



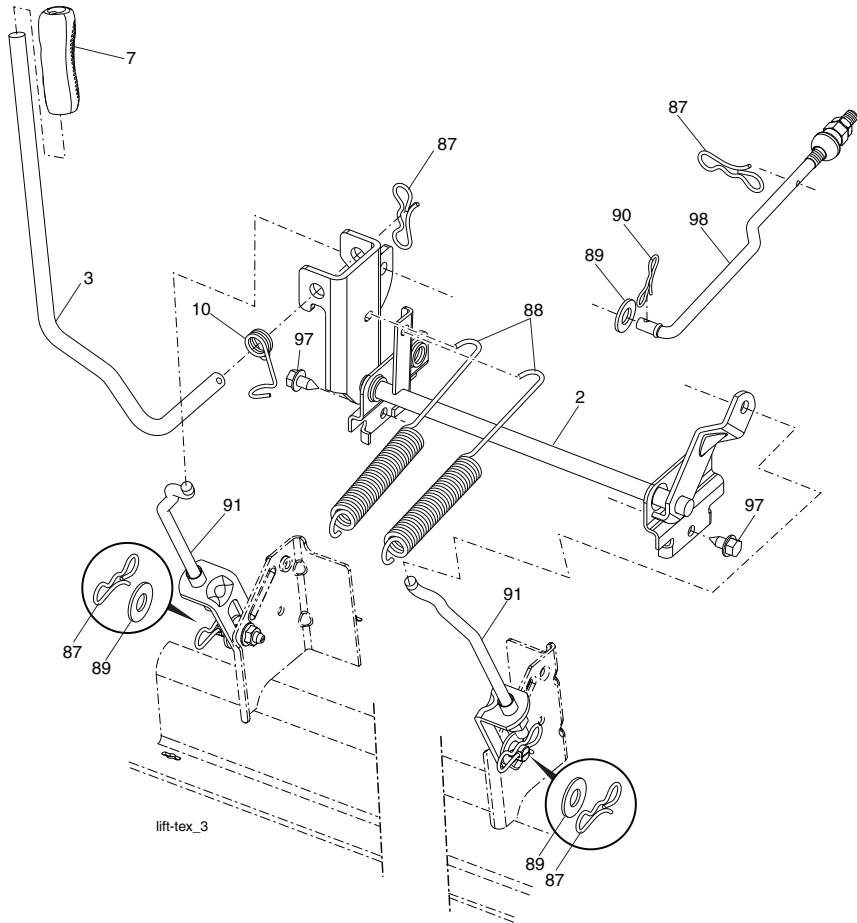
ILLUSTRATIONS ARE REPRESENTATIVE AND ARE NOT INTENDED TO SHOW ALL DETAILS FOR EACH COMPONENT

TRACTOR - - MODEL NUMBER 917.203930
MOWER DECK

KEY PART NO.	NO.	DESCRIPTION	KEY PART NO.	NO.	DESCRIPTION
1	195632	Deck Weldment Mower	59	187344	Baffle Left
6	196066	Cover Mandrel LH	60	187607	Baffle Center
7	197181	Cover Mandrel RH	97	178515	Washer Hardened
8	193003	Bolt 7/16 Asm. Blade	98	196105	Spring Drive
9	583970702	Torque Strap	113	72110508	Bolt Rdhd. Sqkn. 5/16-18 x 3/4
11	187256	Blade Mulching	114	187556	Rod Tension Relief
12	404851	Rod Anti-Sway	116	193406	Bolt, Shoulder
13	187291	Shaft Asm. w/Lower Bearing	117	174873	Gauge Wheel
14	187281	Housing, Mandrel	120	19132012	Washer 13/32 x 1-1/4 x 12 Ga.
15	110485X	Bearing, Ball, Mandrel	122	187557	Bushing Tension Relief
16	19131312	Washer 13/23 x 13/16 x 12 Ga.	184	73900500	Nut Lock Hex Flange 5/16-18
17	17000512	Screw 5/16-18 x 3/4	185	73900700	Nut Lock Flange 7/16-14 Gr. 5
18	72140505	Bolt RdHd. 5/16-18 unc x 5/8	187	195161	Stud Fastener w/"D" Anti-Rotation
19	194208	Pin Cotter 5/16 Bowtie Lock	189	195185	Arm Susp. Mower Rear
21	73680500	Nut, Crownlock 5/16-18 unc	190	196539	Bolt Shoulder
24	105304X	Cap Sleeve	192	198468	Keeper Belt Idler
25	178102	Spring, Torsion	194	74490736	Bolt Hex Wsh HD 7/16-24
26	110452X	Nut, Push	196	72140620	Bolt Rdhd 3/8-16 x 2-1/2 Gr. 5
27	187257X428	Deflector Shield	241	152927	Screw
29	131491	Rod, Hinge	242	415598	Port Washout
31	187690	Washer, Spacer Mower Vented	--	416405	Coupling Quick Connect
32	153535	Pulley, Mandrel	--	187292	Mandrel Assembly (Includes housing (Key# 14), shaft assembly (Key# 13), and bearing (Key# 15) and nut (Key# 33) only - pulley/washer and blade bolt/washers not included)
33	400234	Nut, Fig. Top Lock	--	418076	Replacement Mower, Complete
34	73680600	Nut Crownlock 3/8-16 unc			
39	197380	Pulley, Idler			
41	584953901	Bolt Hex Wshr			
43	196065	Arm, Idler			
46	137729	Screw, Thdrol. 1/4-20 x 5/8			
47	196103	Belt Drive Deck			
49	73900600	Nut, Lock Flg. 3/8-16 unc			
50	72110616	Bolt Rdhd. Sqkn. 3/8-16 unc x 2			
52	197379	Pulley Idler			
58	187342	Baffle Right			

NOTE: All component dimensions given in U.S. inches
 1 inch = 25.4 mm

TRACTOR - - MODEL NUMBER 917.203930
LIFT ASSEMBLY



KEY NO.	PART NO.	DESCRIPTION
2	422027	Shaft Asm., Lift
3	426896	Lever Asm., Lift RH
7	445060X428	Grip, Lever
10	196314	Spring Torsion
87	194209	Pin Cotter 7/16 Bow Tie Lock
88	410710	Spring Lift Assist
89	19191912	Washer Clear Zinc

KEY NO.	PART NO.	DESCRIPTION
90	194208	Pin Cotter 5/16 Bow Tie Lock
91	403407	Link Lift Susp. Mower Rear
97	17000612	Screw 3/8-16 x .75 R.Z
98	195264	Link Lift Susp. Front Mower

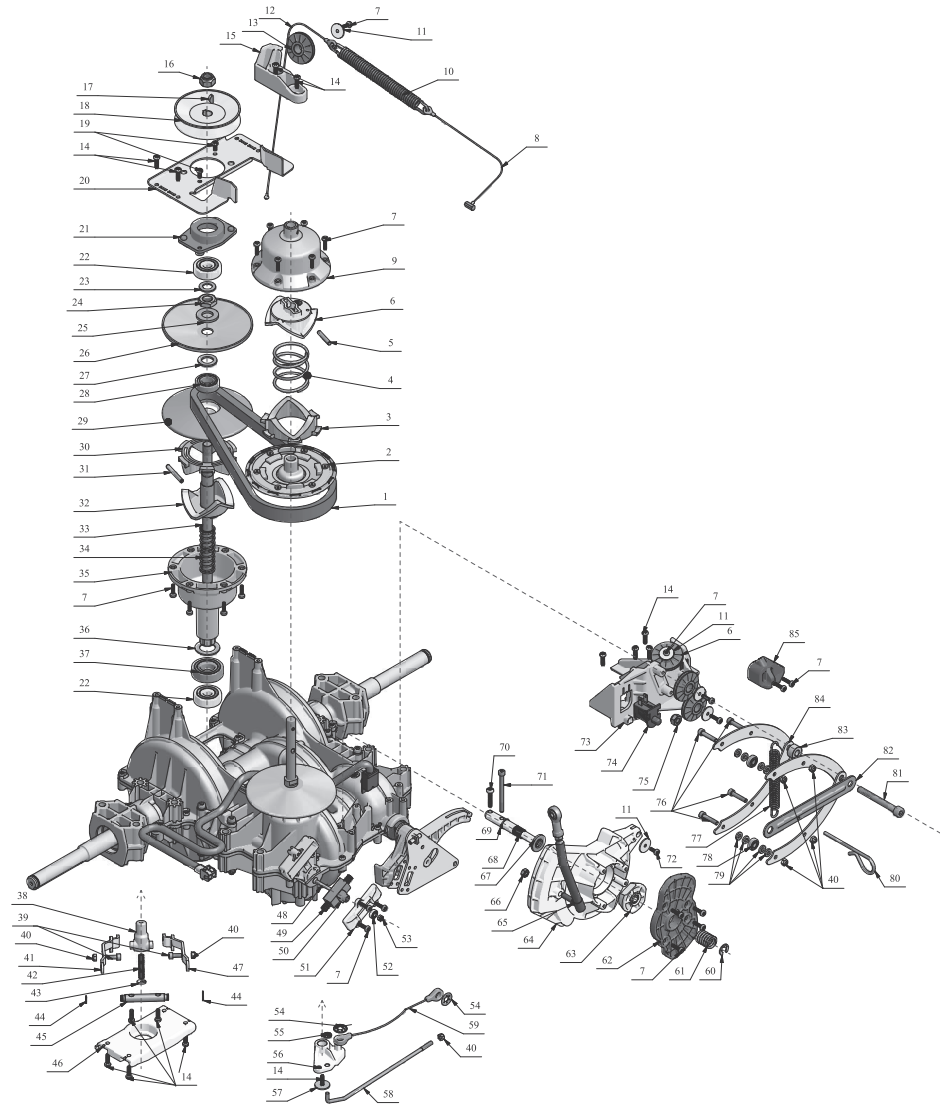
NOTE: All component dimensions given in U.S. inches
 1 inch = 25.4 mm

TRACTOR - - MODEL NUMBER 917.203930
GENTRANS VATR TRANSAXLE

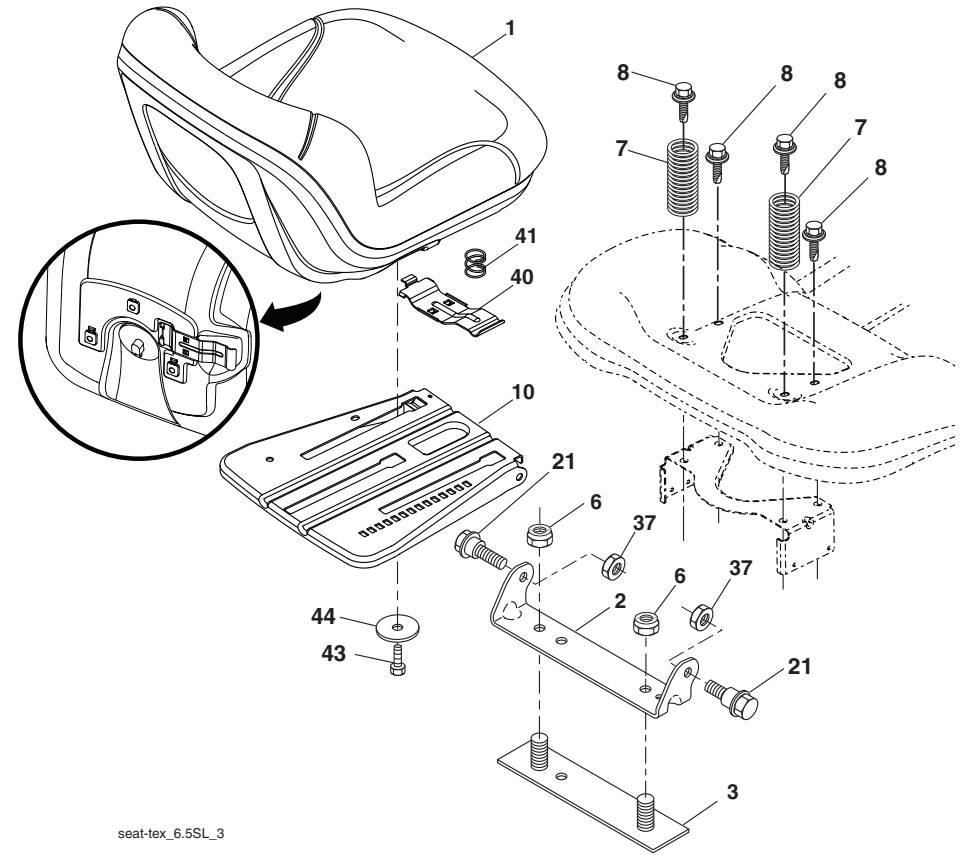
KEY NO.	PART NO.	DESCRIPTION	KEY NO.	PART NO.	DESCRIPTION
1	426740	Belt	45	426789	Axle
2	426739	Flange	46	426788	Inferior plate
3	426738	Ramp	47	426787	Lever
4	426737	Spring	48	426786	Screw M4 (0.7Nm)
5	426736	Pin	49	426785	Spring
6	426735	Fixed ramp	50	426784	Inversion axle
7	426734	Screw 4x16 (torque 2.2Nm)	51	426783	Cover
8	426733	Cable	52	426782	Ball bearing 604.2RS
9	426732	Cap	53	426781	Nut M4
10	426731	Spring	54	426780	Starlock Ø8
11	426730	Washer	55	426779	Starlock Ø4
12	426729	Cable	56	426778	Lever
13	426728	Cable sheave	57	426777	Washer 5x20x1
14	426727	Screw 5x16 (torque 2.2Nm)	58	426776	Rod
15	426726	Support 1 sheave	59	426775	Cable
16	426725	Nut M12	60	426774	Clip
17	426724	Key 4x6.5	61	426773	Spring
18	426723	Pulley	62	426772	Cam
19	426722	Screw 5x10 (torque 2.2Nm)	63	426771	Cone
20	426721	Superior plate	64	426770	Cam
21	426720	Bushing	65	426769	Rod
22	426710	Ball bearing 6301.2RS	66	426768	Nut 1/4" (5Nm)
23	426709	Washer 13x22x1.5	67	426767	Washer 13x24x2.5
24	426708	Scerw M14x1.5	68	426766	Axle
25	426707	Washer 15.1x29.5x3	69	426765	Clip 12x1
26	426706	Flange Ø15.1	70	426763	Screw 5x25 (Torque 3.3Nm)
27	426704	Washer 15.7x25.3x2	71	426764	Screw M5x60 (Torque 3.3Nm)
28	426703	Ball bearing 6002.2RS	72	426762	Screw 4x10 (Torque 2.2Nm)
29	426702	Flange Ø17.7	73	426761	Support
30	426701	Mobile ramp 40°	74	426758	Switch
31	426700	Pin 5x40	75	426756	Nut M8
32	426699	Fixed ramp 40°	76	426755	Screw M5x25 (Torque 2.2Nm)
33	426698	Variator shaft	77	426754	Spring
34	426697	Variator Spring	78	426753	Ball bearing 625 2RS
35	426696	Cap	79	426752	Washer 5.3x10x1.7
36	426693	Washer 21x33x1.5	80	426751	Pin Ø4
37	426692	Ball bearing 6004 2RS	81	426750	Screw M8x70 (1.1m)
38	426691	Cable hook	82	426749	Plate
39	426690	Screw M5x12	83	426748	Spacer
40	426689	Nut M5	84	426747	Jaws
41	426687	Lever	85	426746	Snap-in
42	426686	Spring			
43	426791	Washer 3x11.7x2			
44	426790	Clips 8x0.8			

NOTE: All component dimensions given in U.S. inches
 1 inch = 25.4 mm

TRACTOR -- MODEL NUMBER 917.203930
GENTRANS VATR TRANSAXLE



TRACTOR -- MODEL NUMBER 917.203930
SEAT ASSEMBLY



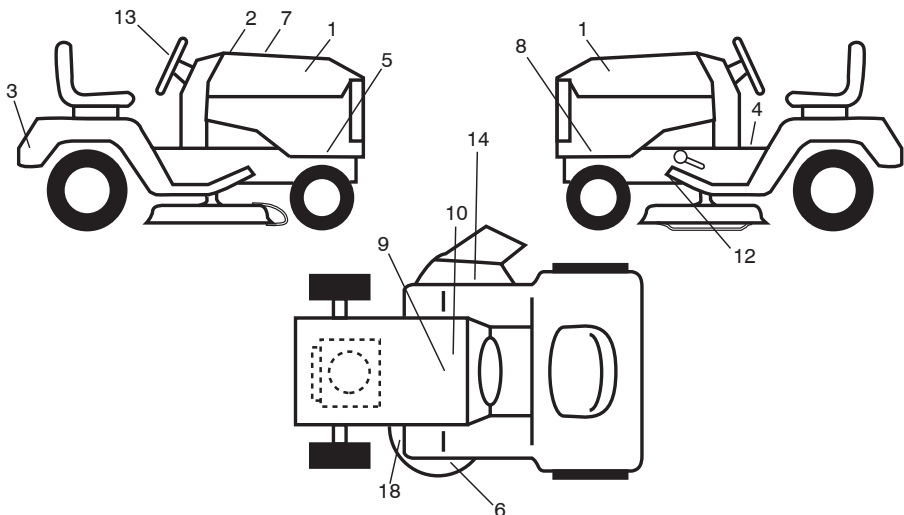
seat-tex_6.5SL_3

KEY PART NO.	NO.	DESCRIPTION
1	423645	Seat
2	180166	Bracket Pivot Fender
3	140675	Strap, Asm. Fender
6	73800600	Nut, Lock w/Ins. 3/8-16 unc
7	124181X	Spring, Seat Cprsn.
8	171877	Bolt 5/16-18 unc x 3/4 w/Sems.
10	196977	Pan, Seat
21	171852	Bolt, Shoulder 5/16-18

KEY PART NO.	NO.	DESCRIPTION
37	73800500	Nut, Lock 5/16-18 unc
40	197661	Handle Slide Seat
41	198200	Spring Latch Seat
43	74760612	Bolt 3/8-16 x 3/4
44	19133812	Washer 13/32 x 2-3/8 x 12 Ga.

NOTE: All component dimensions given in U.S. inches
 1 inch = 25.4 mm

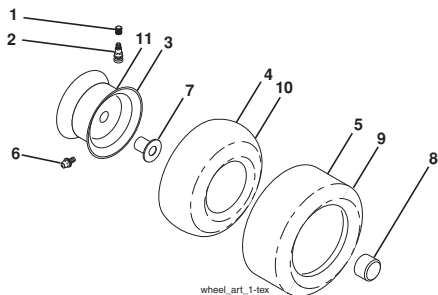
DECALS



KEY NO.	PART NO.	DESCRIPTION
1	585767601	Decal, Hood
2	585571401	Decal, Maint. Cust.
3	441121	Decal, Fender
4	581578801	Decal, Warning
5	586208001	Decal, Sideskirt RH
6	581580002	Decal, B-Belt Schematic
7	586067601	Decal, RPL
8	586208002	Decal, Sideskirt LH
9	434996	Decal, Battery Warning
10	434995	Decal, Battery

KEY NO.	PART NO.	DESCRIPTION
12	421534	Decal, Mower V-Belt Schematic
13	581894601	Decal, Steering Wheel
14	584904601	Decal, Deck/Deflect Warning
18	581724502	Decal, Mower Caution
--	581724801	Decal, Bypass
--	193226X428	Pad, Footrest, LH
--	400981X428	Pad, Footrest, RH
--	586149596	Manual, Operator's (E/S)
--	586149527	Manual, Parts

WHEELS & TIRES



KEY NO.	PART NO.	DESCRIPTION
1	59192	Cap, Valve, Tire
2	65139	Stem, Valve
3	106732X613	Rim Assembly, Front
4	59904	Tube, Front
5	106222X	Tire, Front 15 x 6-6
6	278H	Fitting, Grease
7	9040H	Bearing, Flange
8	104757X428	Cap, Axle
9	122082X	Tire, Rear 20 x 10-8
10	7152J	Tube, Rear
11	106108X613	Rim Assembly, Rear
--	144334	Sealant, Tire (10 oz. Tube)

NOTE: All component dimensions given in U.S. inches
1 inch = 25.4 mm

SERVICE NOTES