

# CRAFTSMAN®

Product questions or problems?

## 1-888-331-4569

### Customer Care Hot Line

Get answers to questions, troubleshoot problems,  
order parts, or schedule repair service.

Para respuestas a preguntas o problemas, y ordenar  
piezas o pedir servicio para la reparación de su equipo.

To help us help you, register your product at [www.craftsman.com/registration](http://www.craftsman.com/registration)

Para poderte ayudar mejor, registra tu producto en [www.craftsman.com/registration](http://www.craftsman.com/registration)

Join the Craftsman Club today!

## CRAFTSMAN® CLUB

[www.craftsman.com/signup](http://www.craftsman.com/signup)

Receive exclusive member benefits including special pricing and offers,  
project sharing, expert advice, and SHOP YOUR WAY REWARDS!

Como miembro exclusivo, recibe diversos beneficios como ofertas, precios especiales, proyectos  
nuevos, consejos de expertos y nuestro programa de puntos SHOP YOUR WAY REWARDS!

® Registered Trademark / ™ Trademark of KCD IP, LLC in the United States, or Sears Brands, LLC in other countries  
® Marca Registrada / ™ Marca de Fábrica de KCD IP, LLC en Estados Unidos, o Sears Brands, LLC in otros países

## Repair Parts Manual

# CRAFTSMAN®

## GARDEN TRACTOR

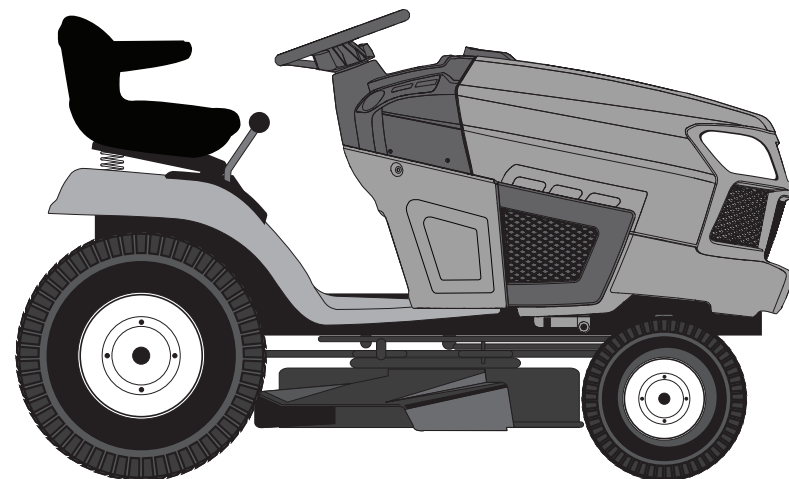
24 HP,\* 48" Mower

Electric Start

Automatic Transmission

Model No.

**917.204070**



For answers to your questions  
about this product, call:

**1-888-331-4569**

**Craftsman Customer Help Line**

Sears Brands Management Corporation, Hoffman Estates, IL 60179 U.S.A.  
Visit our Craftsman website: [www.craftsman.com](http://www.craftsman.com)

\* The power rating as declared by the engine manufacturer is the average gross power output at the specified RPM of a typical production engine for the engine model measured using SAE Standards for engine gross power. Please refer to the engine manufacturer for details.

**⚠ WARNING:** This tractor is equipped with an internal combustion engine and should not be used on or near any unimproved forest-covered, brush-covered or grass-covered land unless the engine's exhaust system is equipped with a spark arrester meeting applicable local or state laws (if any). If a spark arrester is used, it should be maintained in effective working order by the operator.

In the state of California the above is required by law (Section 4442 of the California Public Resources Code). Other states may have similar laws. Federal laws apply on federal lands. A spark arrester for the muffler is available through your nearest Sears service center (See ENGINE ASSEMBLY section of this manual).

## REPAIR PROTECTION AGREEMENTS

*Congratulations on making a smart purchase.* Your new Craftsman® product is designed and manufactured for years of dependable operation. But like all products, it may require repair from time to time. That's when having a Repair Protection Agreement can save you money and aggravation.

### Here's what the Repair Protection Agreement\* includes:

- ☑ **Expert service** by experienced service technicians trusted in millions of homes every year.
- ☑ **Unlimited service and no charge** for parts and labor on all covered repairs.
- ☑ **Product replacement** up to \$1500 if your covered product can't be fixed.
- ☑ **Discount of 25%** from regular price of service and related installed parts not covered by the agreement.
- ☑ **Fast help by phone** – phone support from a service agent on all products to help troubleshoot problems. Think of us as a "talking owner's manual."

Once you purchase the Repair Protection Agreement, a simple phone call is all that it takes for you to schedule service. You can call anytime day or night.

The Repair Protection Agreement is a risk-free purchase. If you cancel for any reason during the product warranty period, we will provide a full refund. Or, a prorated refund anytime after the product warranty period expires. Purchase your Repair Protection Agreement today!

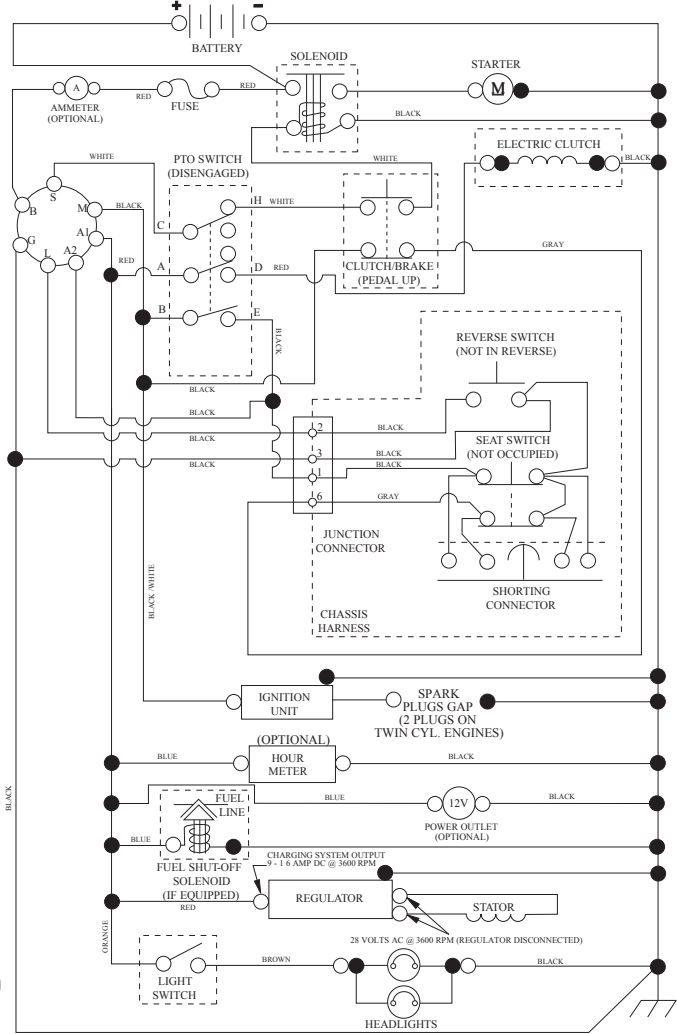
**Some limitations and exclusions apply. For prices and additional information call 1-800-827-6655.**

### Sears Installation Service

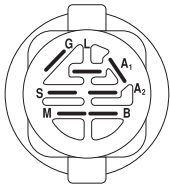
*For Sears professional installation of home appliances, garage door openers, water heaters, and other major home items, call 1-888-331-4569.*

### SCHEMATIC

SCH12

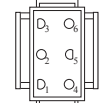


PTO SWITCH (MATING SIDE)

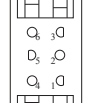


**IGNITION SWITCH**

POSITION	CIRCUIT	"MAKE"
OFF	M+G+A1	
RUN/OVERRIDE	B+A1	
RUN	B+A1	L+A2
START	B + S + A1	

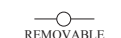


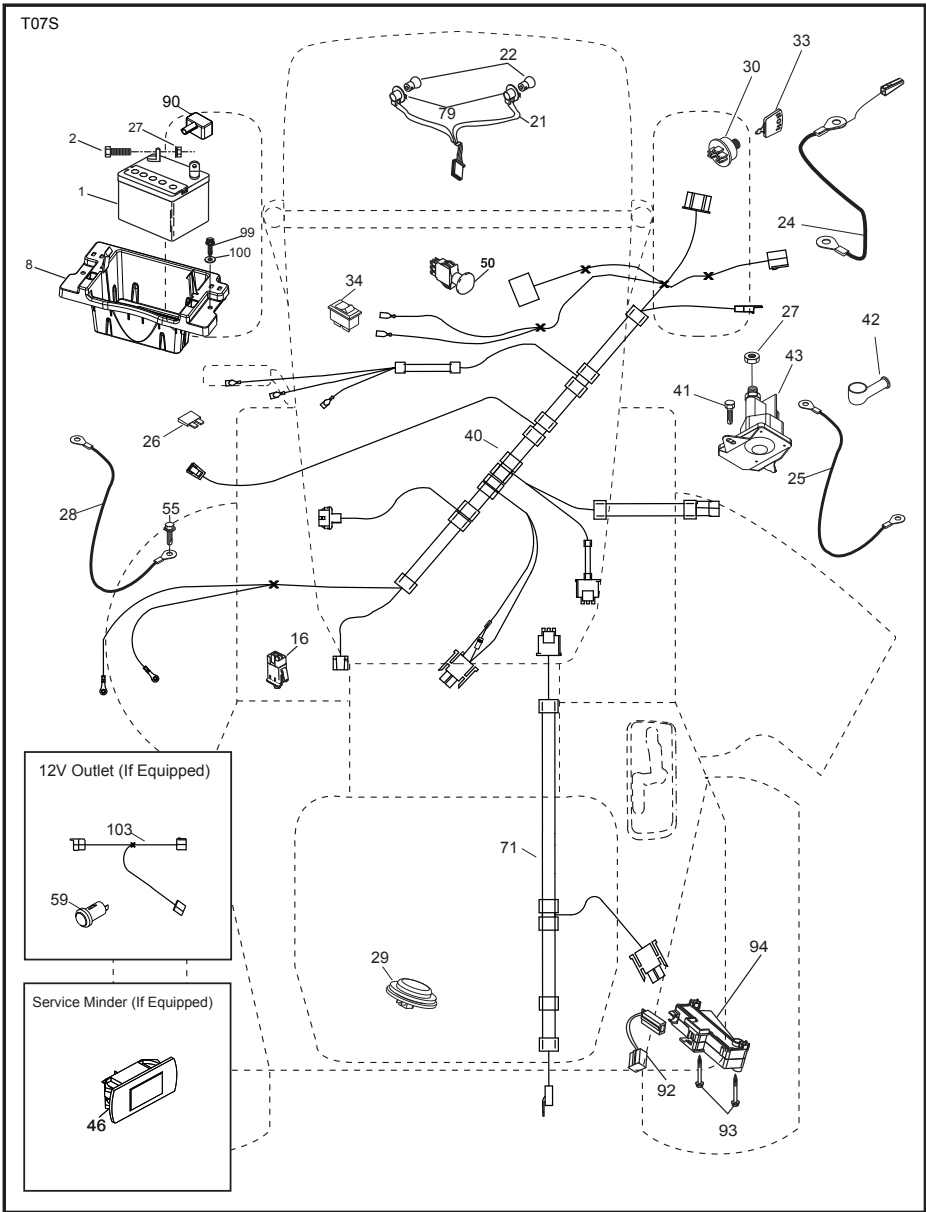
CHASSIS HARNESS CONNECTOR (MATING SIDE)



DASH HARNESS CONNECTOR

WIRING INSULATED CLIPS  
NOTE: IF WIRING INSULATED CLIPS WERE REMOVED FOR SERVICING OF UNIT, THEY SHOULD BE RE-INSTALLED TO PROPERLY SECURE YOUR WIRING.





**TRACTOR - - MODEL NUMBER 917.204070**  
**B&S ENGINE-MODEL NUMBER 44U877, TYPE NUMBER 0007-G1**

**ELECTRICAL**

**TRACTOR - - MODEL NUMBER 917.204070**

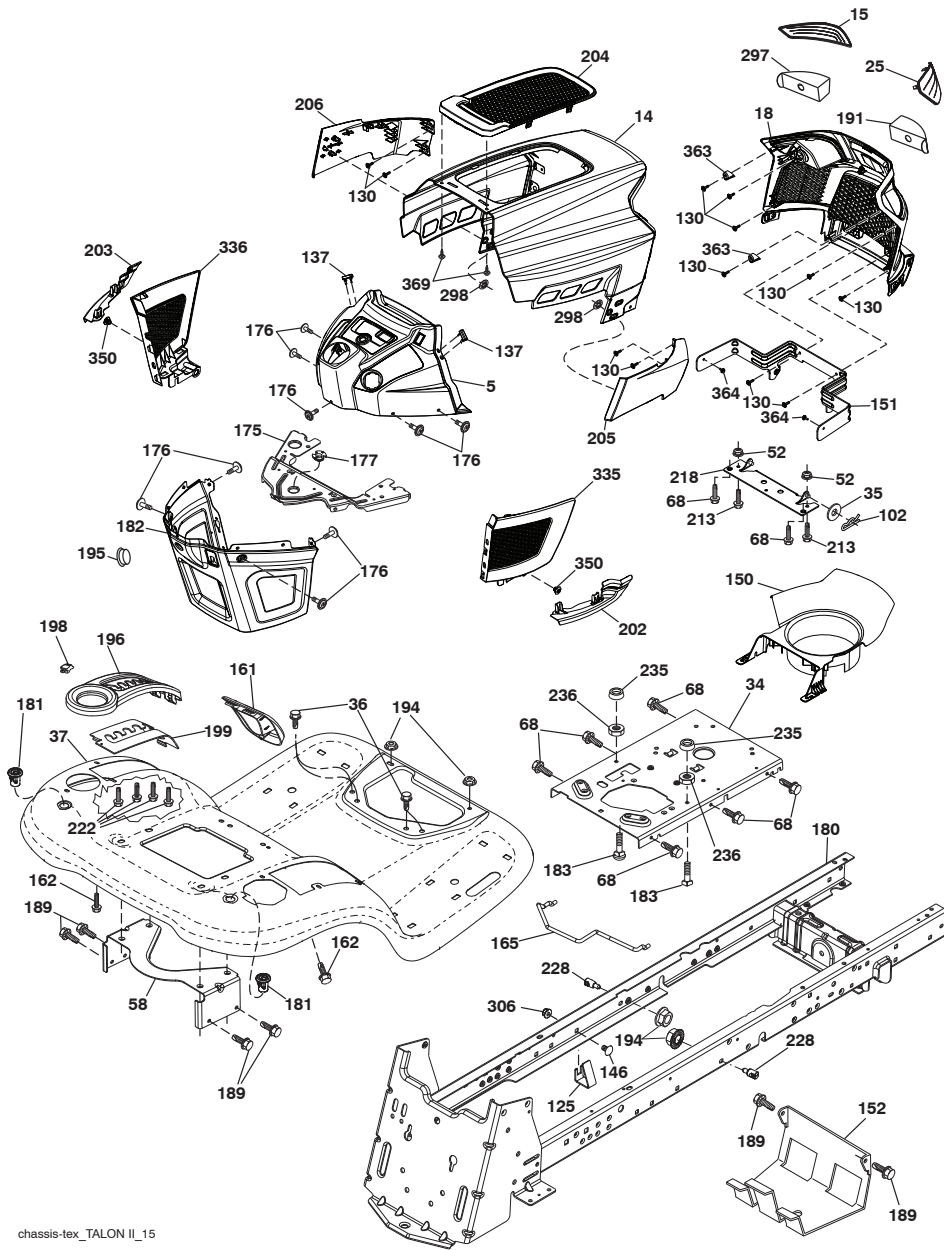
KEY NO.	PART NO.	DESCRIPTION	KEY NO.	PART NO.	DESCRIPTION
510	592602	Drive-Starter	947	798779	Solenoid-Fuel
513	692024	Clutch-Drive	964	799159	Cap-Connector
523	594528	Dipstick	965	796221	Cover-Oil Pump
524	691032	Seal-Dipstick Tube	968	795120	Cover-Air Cleaner
525	691037	Tube-Dipstick	975	594208	Bowl-Fuel
526	691108	Screw (Regulator)	1005	593640	Fan-Flywheel
537	594915	Governor/Idle Spring (Yellow)	1012	592556	Retainer-Link
540	594325	Plate-Baffle	1013	690954	Nipple-Oil Filter
552	796638	Bushing-Governor Crank	1017	796214	Screen-Oil Pump
552A	690553	Bushing-Governor Crank	1022	690971	Gasket-Rocker Cover
562	690311	Screw (Governor Control Lever)	1023	793146	Cover-Rocker (Cylinder #1)
573	594902	Plate-Back	1023A	499600	Cover-Rocker (Cylinder #2)
584	594164	Cover-Breather Passage	1024	796220	Pump-Oil
601	691038	Hose-Clamp (Black)	1026	690981	Rod-Push (Exhaust) (Steel)
601A	791850	Hose-Clamp (Green)	1026A	690982	Rod-Push (Intake) (Aluminum)
615	698290	Retainer-Governor Shaft	1027	696854	Filter-Oil
616	691045	Crank-Governor	1029	690972	Arm-Rocker
617	594209	Seal-O Ring (Intake Manifold)(Green) (Pack of 2)	1029A	807323	Arm-Rocker
617A	691917	Seal-O Ring (Intake Manifold) (Red)	1036		Label-Emissions (Available from a Briggs & Stratton Authorized Dealer)
618	594326	Screw (Baffle Plate)	1040	791237	Plate-Trim
633	699813	Seal-Choke/Throttle Shaft (Choke Shaft)	1051	691265	Ring-Retaining
633A	699813	Seal-Choke/Throttle Shaft (Throttle Shaft)	1059	698516	Kit-Screw/Washer (Alternator)
635	66538s	Boot-Spark Plug	1070	593638	Screw (Flywheel Fan)
654	690958	Nut (Carburetor) (Serrated)	1090	691293	Retainer-Brush
668	691500	Spacer (Rotating Screen)	1095	594214	Gasket Set-Valve
668A	691215	Spacer (Rotating Screen)	1100	791959	Pivot-Rocker Arm
684	691108	Screw (Breather Passage Cover)	1119	691183	Screw (Alternator)
691	790574	Seal-Governor Shaft	1127	695407	Screw (Float Bowl)
697	591909	Screw (Drive Cap)	1146	690991	Screw (Choke Shaft)
703	691010	Clip (Fuel Line)	1193	592577	Screw (Thermostat) (#10-32x.6)
703A	592584	Clip (EVAP Hose)	1263	594166	Reed-Breather
718	690959	Pin-Locating	1264	594165	Screw (Breather Reed)
718A	594988	Pin-Locating (Spiral)	1329	N/A	Replacement Engine
729	593526	Clip-Wire	1330	N/A	Repair Manual
741	690980	Gear-Timing	1386	592580	Vane-Air
742	690328	Retainer-E Ring	1474	592579	Stud (Air Vane)
750	796208	Screw (Oil Pump Cover)	1475	592578	Nut (Air Vane)
783	592600	Gear-Pinion (Steel)			
789	591392	Harness-Wiring			
798	697890	Screw (Rocker Arm)			
801	691283	Cap-Drive			
802	691286	Cap-End			
842	691031	Seal-O Ring (Dipstick Tube)			
847	499602	Dipstick/Tube Assembly			
850	100106	Sealant-Liquid			
851	493880s	Terminal-Spark Plug			
865	591667	Cover-Air Guide (Valley)			
868	690968	Seal-Valve			
883	690970	Gasket-Exhaust			
914	691127	Screw (Rocker Cover)			
918	596163	Hose-Vacuum (Rocker Cover #1)			
918A	799160	Hose-Vacuum (EVAP)			
943	796222	Seal-O Ring (Oil Pump Cover)			

**NOTE:** All component dimensions given in U.S. inches  
1 inch = 25.4 mm

KEY NO.	PART NO.	DESCRIPTION
1	163465	Battery
2	74760412	Bolt Hex Hd. 1/4-20 unc x 3/4
8	587205101	Box Battery
16	176138	Switch Interlock Push-In
21	400252	Harness Socket Light w/4152J
22	4152J	Bulb Light
24	585555601	Cable Battery
25	585555501	Cable Starter
26	175158	Fuse
27	73510400	Nut Keps Hex 1/4-20 unc
28	416588	Cable, Ground
29	401545	Switch, Seat
30	193350	Switch, Ign.
33	411932	Key/Chain
34	110712X	Switch Light/Reset
40	501132901	Harness Ign. Dash
41	17720408	Screw Thd. Cut 1/4-20 x 1/2
42	131563	Cover, Terminal
43	582042801	Solenoid
46	586161801	Gauge Hourmeter
50	582107602	Switch PTO
55	17060512	Screw Thdrol. 5/16-18 x 3/4 TYTT
71	194276	Harness Ign. Chassis
79	175242	Socket Asm. Bulb Twistlock
90	435395	Cover Terminal Battery
92	196615	Harness Pigtail
93	192540	Screw Plastic
94	191834	Module Reverse
99	17670412	Screw Hexwsh. Thdrol. 1/4-20 x 3/4
100	19091416	Washer 9/32 x 7/8 x 16 Ga.

**NOTE:** All component dimensions given in U.S. inches  
1 inch = 25.4 mm

**TRACTOR - - MODEL NUMBER 917.204070**  
**CHASSIS ASSEMBLY**



chassis-tex\_TALON II\_15

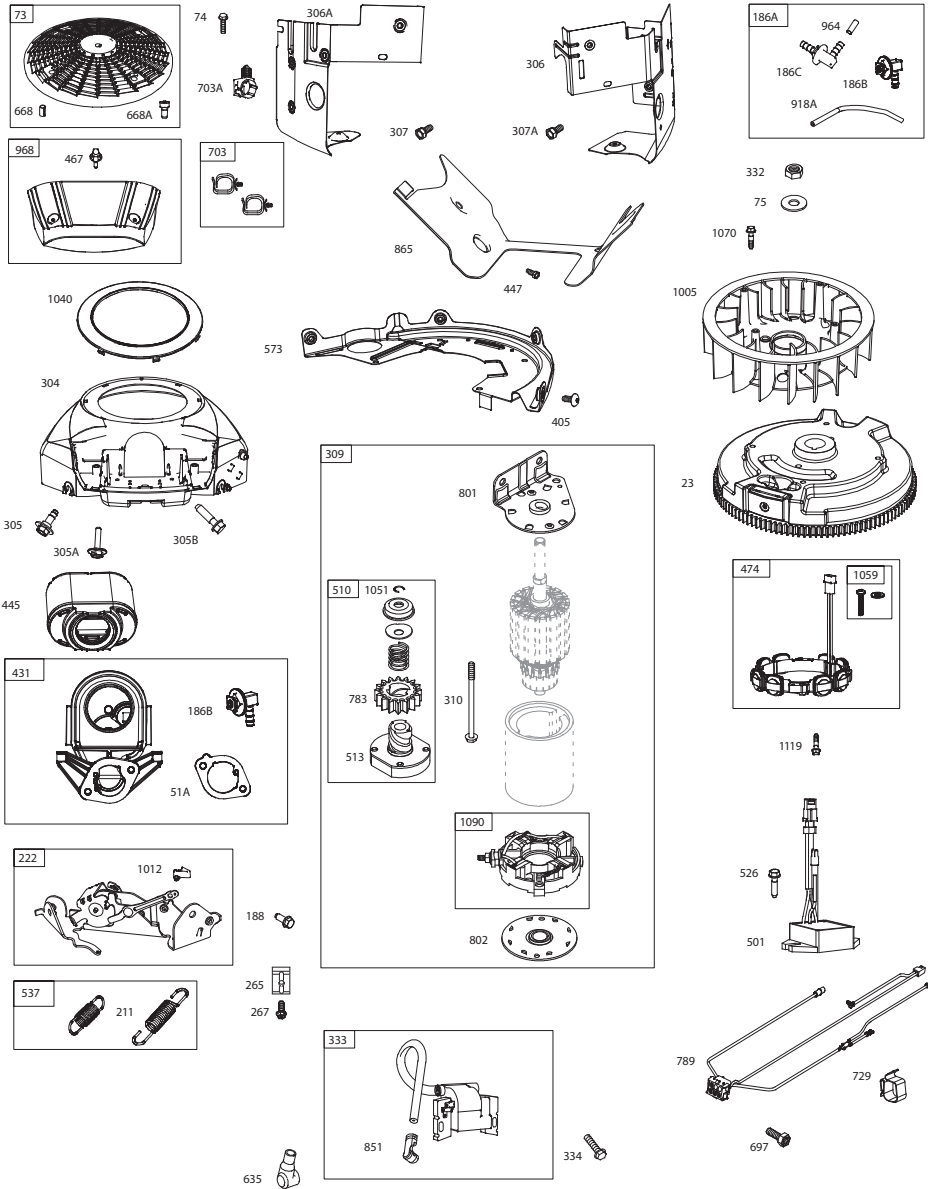
**TRACTOR - - MODEL NUMBER 917.204070**  
**B&S ENGINE-MODEL NUMBER 44U877, TYPE NUMBER 0007-G1**

KEY NO.	PART NO.	DESCRIPTION	KEY NO.	PART NO.	DESCRIPTION
1	594970	Cylinder Assembly	137	698781	Gasket-Float Bowl
2	797673	Bushing/Seal Kit (Magneto Side)	141	595218	Kit-Choke Shaft
3	391086S	Seal-Oil (Magneto Side)	186A	799158	Connector-Hose (EVAP)
4	594974	Sump-Engine	186B	845141	Connector-Hose (EVAP)
5	799088	Head-Cylinder (Cylinder #1)	186C	594428	Connector-Hose (EVAP)
5A	799089	Head-Cylinder (Cylinder #2)	187	791766	Line-Fuel (Cut to Required Length)
7	693997	Gasket-Cylinder Head	188	691108	Screw (Control Bracket)
11	594163	Tube-Breather	192	690083	Adjuster-Rocker Arm
12	594195	Gasket-Crankcase (Before Date Code: 15071600) (Includes 12 Crankcase Cover/Sump Bolts)	211	593724	Spring-Governed Idle (Black)
13	592244	Screw (Cylinder Head)	212	792265	Link-Throttle
15	690946	Plug-Oil Drain	216	796229	Link-Choke
16	796256	Crankshaft	216A	595217	Link-Choke
20	795387	Seal-Oil (PTO Side)	217	592585	Spring-Choke Return
22	694966	Screw (Crankcase Cover/Sump)	217A	799771	Spring-Choke Return
23	594169	Flywheel	219	793338	Gear-Governor
24	222698S	Key-Flywheel (Aluminum)	220	799772	Washer (Governor Gear)
25	793560	Piston Assembly (Standard) (Flat Top)	221	841026	Cup-Governor
	793563	Piston Assembly (020" Oversize) (Flat Top)	222	592555	Bracket-Control
26	792026	Ring Set (Standard)	227	798856	Lever-Governor Control
	792073	Ring Set (.020" Oversize)	231	690718	Screw (Choke Valve)
27	690975	Lock-Piston Pin	232	795915	Spring-Governor Link
28	593650	Pin-Piston	240	845125	Filter-Fuel
29	796209	Rod-Connecting	255	690721	Bushing-Choke Shaft
32	690976	Screw (Connecting Rod)	265	691024	Clamp-Casing
33	793557	Valve-Exhaust	267	792629	Screw (Casing Clamp)
34	793556	Valve-Intake	276	695410	Washer-Sealing
35	694865	Spring-Valve (Intake)	287	697820	Screw (Dipstick Tube)
36	694865	Spring-Valve (Exhaust)	291	592581	Thermostat
42	499586	Keeper-Valve	304	591668	Housing-Blower
45	690977	Tappet-Valve	305	594618	Screw (Blower Housing) (1/4-20x.5)
46	797242	Camshaft	305A	790690	Screw (Blower Housing) (#10-16x.6)
48	N/A	Short Block	305B	691061	Screw (Blower Housing) (#8-32x.8)
50	594206	Manifold-Intake	306	591666	Shield-Cylinder (Cylinder #2)
51	594204	Gasket-Intake	306A	796852	Shield-Cylinder (Cylinder #1)
51A	594203	Gasket-Intake	307	691003	Screw (Cylinder Shield) (#10-24x.4)
51B	690949	Gasket-Intake	307A	691108	Screw (Cylinder Shield) (1/4-20x.6)
53	690951	Stud (Carburetor)	309	592599	Motor-Starter (Steel Ring Gear)
54	699816	Screw (Intake Manifold) (1/4-20x.9)	310	690323	Screw (Starter Motor)
73	494439	Screen-Rotating	332	691059	Nut (Flywheel)
74	698425	Screw (Rotating Screen)	333	592846	Armature-Magneto
75	691056	Washer (Flywheel)	334	691061	Screw (Magneto Armature)
95	690718	Screw (Throttle Valve)	337	491055S	Plug-Spark
98	695408	Kit-Idle Speed	358	594213	Gasket Set-Engine
104	694918	Pin-Float Hinge	377	690979	Key-Woodruff
105	698537	Valve-Float Needle	385	797409	Screw (Fuel Pump)
117	842585	Jet-Main (Standard)	387	808656	Pump-Fuel
118	792296	Jet-Main (High Altitude) (5000 > 9000 Feet)	404	690442	Washer (Governor Crank)
121	594212	Kit-Carburetor Overhaul	405	594937	Screw (Back Plate) (1/4-20x.6)
125	596375	Carburetor	415	794903	Plug
127	699810	Plug-Welch	431	596034	Elbow-Intake
131	594210	Kit-Throttle Shaft	445	593240	Filter-Air Cleaner Cartridge
133	694914	Float-Carburetor	447	691003	Screw (Air Guide Cover) (#10-24x.4)
135	591701	Tube-Fuel Transfer	467	790697	Knob-Air Cleaner
			474	592830	Alternator
			501	593490	Regulator
			505	691029	Nut (Governor Control Lever)



**TRACTOR - - MODEL NUMBER 917.204070**  
**B&S ENGINE-MODEL NUMBER 44U877, TYPE NUMBER 0007-G1**

**TRACTOR - - MODEL NUMBER 917.204070**  
**CHASSIS ASSEMBLY**

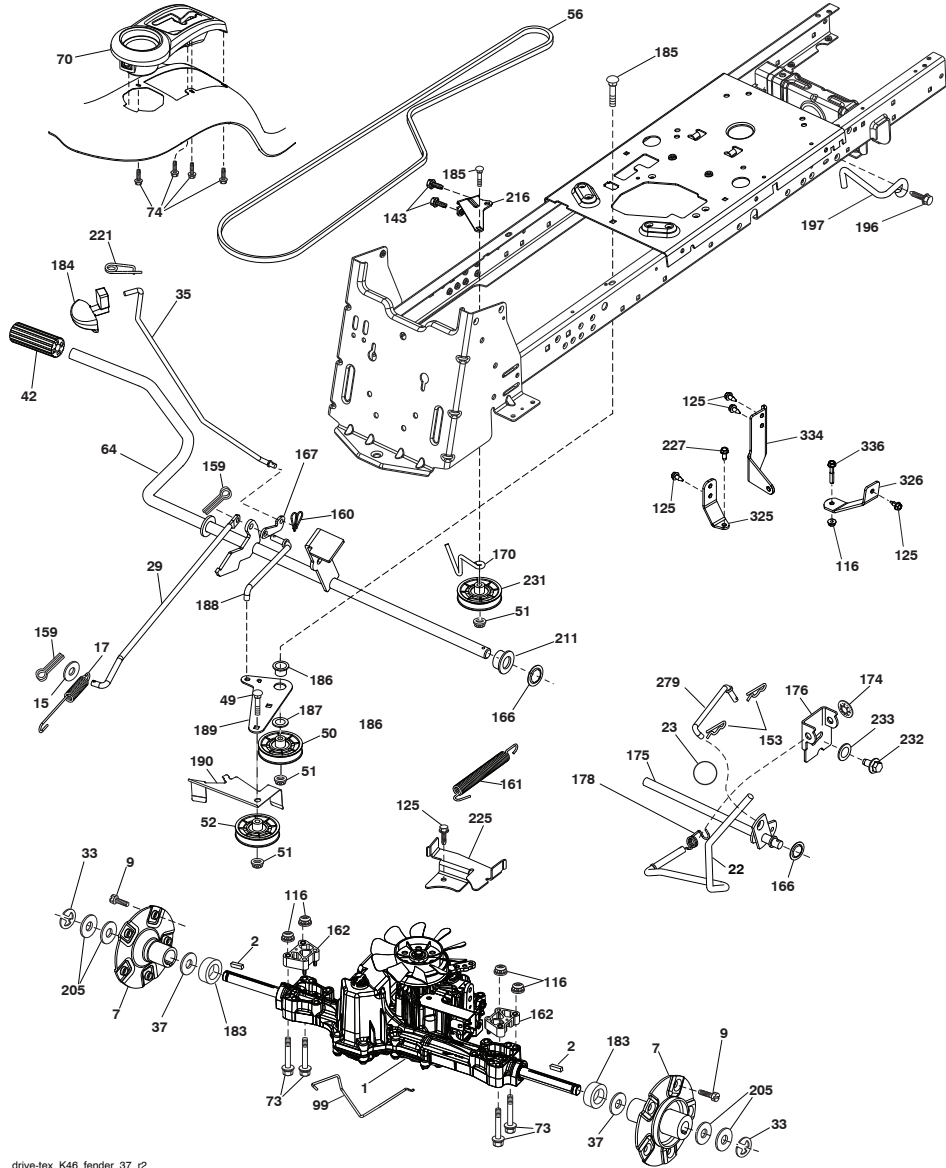


**KEY PART NO. NO.**

KEY PART NO. NO.	DESCRIPTION
5	501607201 Dash
14	580354406 Hood
15	580485601 Lens LH
18	580485302 Grille
25	580484501 Lens RH
34	580910801 Plate engine
35	19111116 Washer 11/32 x 11/16 x 16 Ga.
36	17060512 Screw 5/16-18 x 3/4
37	400009X615 Fender
52	73680500 Nut Crown lock 5/16-18
58	194314 Bracket Support Fender
68	17490508 Screw Thdrol 5/16-18 x 1/2
102	4497H Retainer Spring 1"
125	581684801 Clip Fuel Line
130	416358 Screw # 10 x .750 BOS Thread
137	407590 Bumper Dash
146	581857901 Bolt
150	585238002 Duct Heat Hood
151	580663302 Bracket Pivot
152	199535 Shield Browning/Debris
161	193097X428 Window Fuel
162	142432 Screw Hex Wsh Hi-Lo 1/4 x 1/2
165	196826 Support Tank Rear
175	196304 Crossmember
176	400776 Screw 10-24 x 5/8 Wshd Qdrx
177	195228 Bushing Steering
180	195477 Chassis
181	193102X428 Bushing Mtg. Fender Crgo.
182	586738602 Dash Lower
183	74520520 Bolt 5/16-18 x 1-1/4
189	17000512 Screw 5/16-18 x 3/4
191	580485101 Mylar Headlight/Reflective LensRH
194	73900500 Nut Lock Hex Flange 5/16-18
195	401556X428 Plug Hole Dash 12V Adapter
196	419830 Console Asm. Deck Lift
198	197300X667 Indicator Deck Lift
199	419350 Plate Deck Lift
202	580485001 C-Closeout Lwr Trm RH
203	580484801 C-Closeout Lwr Trm LH
204	580484701 Hood Top Vent
205	580843706 Assembly Corner RH
206	580843806 Assembly Corner LH
213	74760512 Bolt hex HD 5/16-18 unc x 3/4
218	580897301 Pivot Hood Assy
222	137729 Screw 1/4-20 x 5/8
228	195161 Stud Fastener
235	406129 Spacer Fender
236	73930500 Nut Center Lock 5/16-18
297	580484901 Mylar Headlight/Reflective Lens LH
298	580851001 Nut Push
306	73900600 Nut Lock
335	580484602 C-Side Closeout RH
336	580484402 C-Side Closeout LH
350	445143 Clip X-Mass Tree
363	580724501 Cap Talon Grille
364	17060408 Screw
369	421756 Screw #10 x 0.500 BOS Thread
--	400944 Bumper

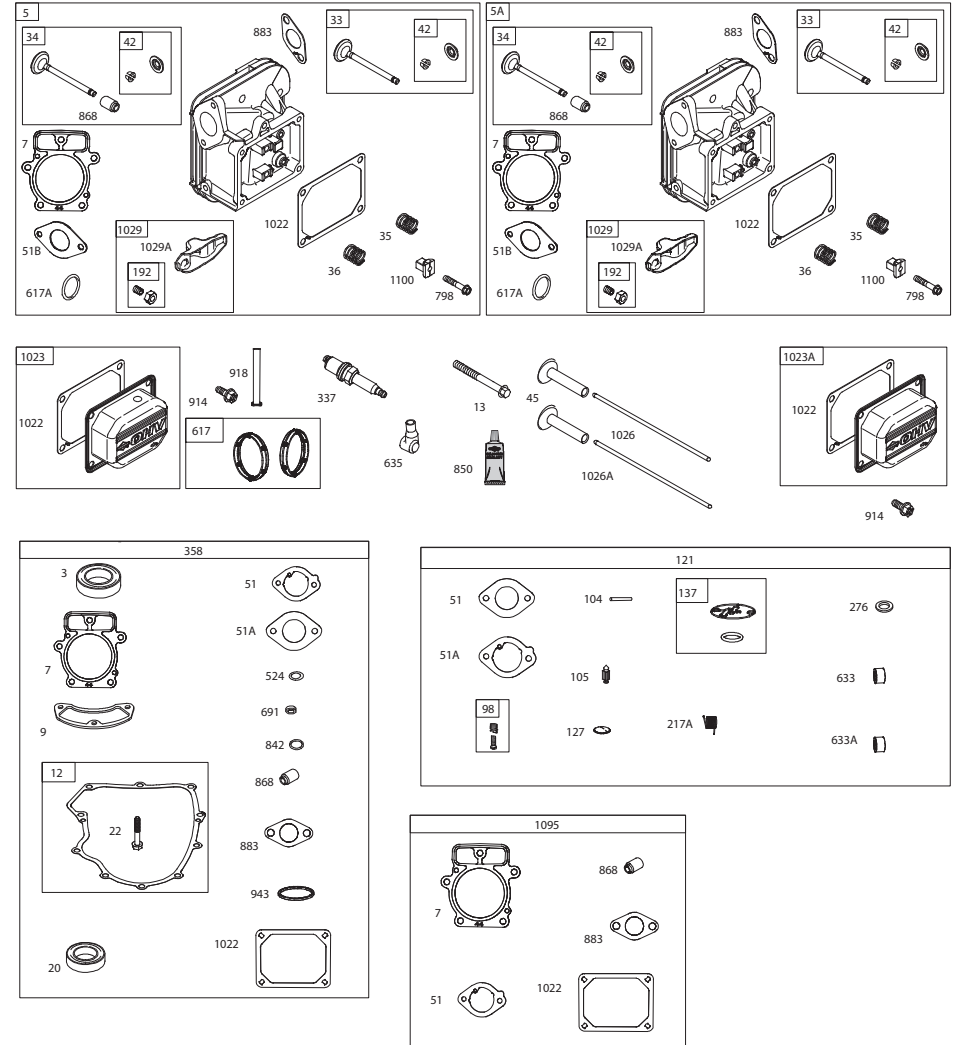
**NOTE:** All component dimensions given in U.S. inches  
 1 inch = 25.4 mm

**TRACTOR - - MODEL NUMBER 917.204070**  
**GROUND DRIVE**



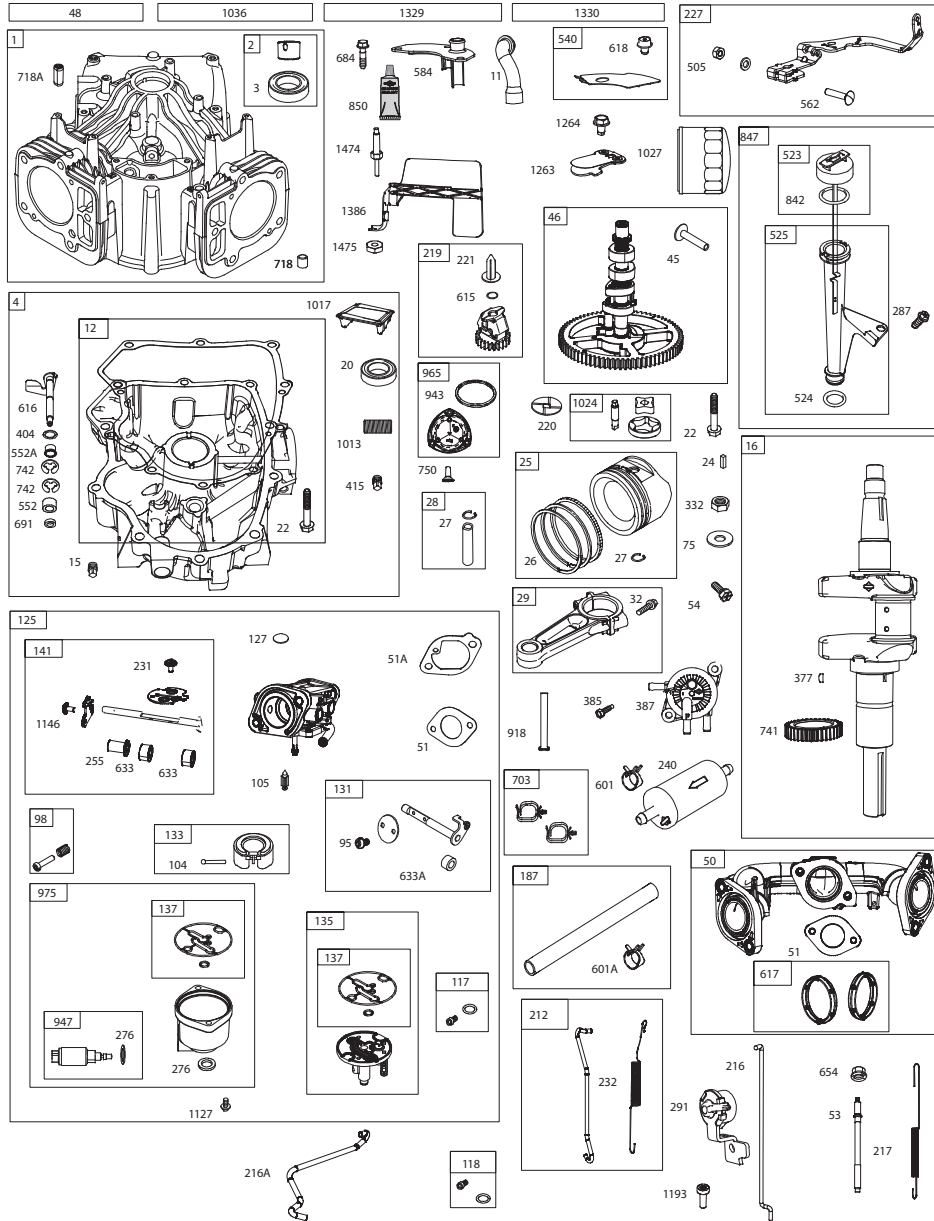
drive-tex\_K46\_fender\_37\_r2

**TRACTOR - - MODEL NUMBER 917.204070**  
**B&S ENGINE-MODEL NUMBER 44U877, TYPE NUMBER 0007-G1**





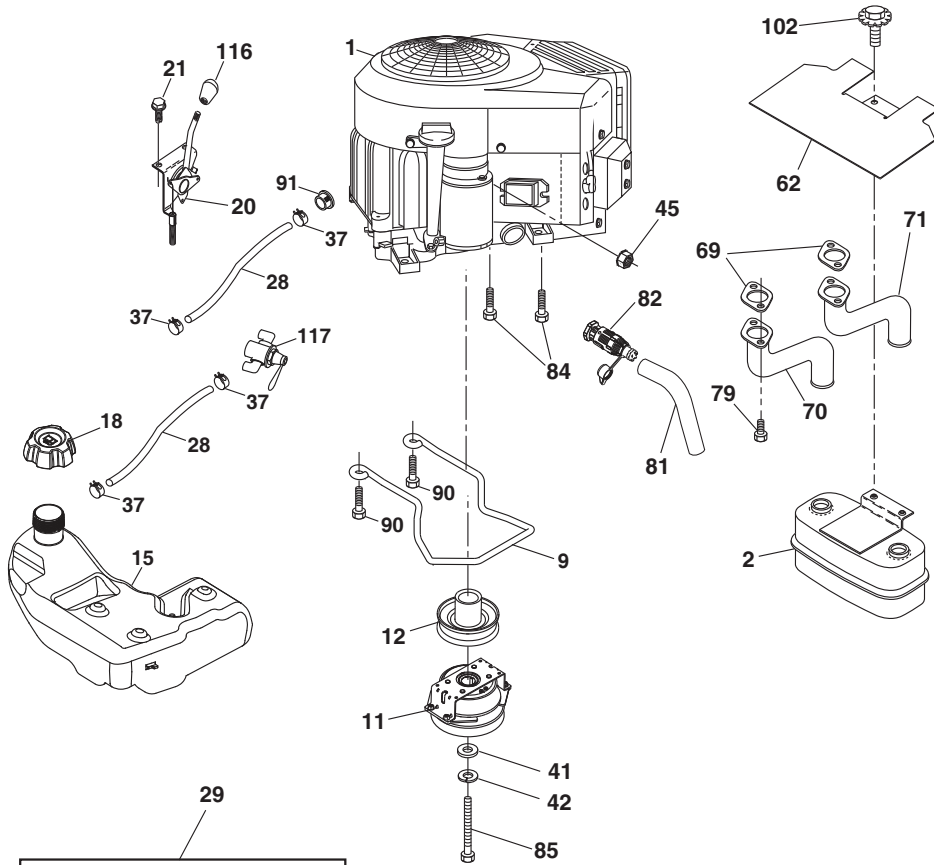
**TRACTOR - - MODEL NUMBER 917.204070**  
**B&S ENGINE-MODEL NUMBER 44U877, TYPE NUMBER 0007-G1**



**TRACTOR - - MODEL NUMBER 917.204070**  
**GROUND DRIVE**

KEY PART NO.	NO.	DESCRIPTION	KEY PART NO.	NO.	DESCRIPTION
1	---	Transaxle, TUFFTORQ TTK46AW (448354) (See transaxle breakdown.)	174	197289	Nut Push
			175	406208	Shaft Asm. Shift
			176	196214	Arm Clevis Rod Shift
			178	197456	Spring Shift
2	186211	Key	183	400424	Spacer Split
7	199844	Hub Asm. Wheel Rear	184	196439X428	Handle Parking Brake
9	140080	Bolt Hub Wheel Rear	185	72110622	Bolt 3/8-16 x 2-3/4 Gr. 5
15	19131316	Washer 13/32 x 13/16 x 16 Ga.	186	194321	Spacer Retainer
17	413678	Spring, Brake	187	19133210	Washer
22	197329	Rod Shift Fender	188	582217001	Link Clutch Ground Drive, Long
23	140845	Knob	189	194317	Bellcrank Ground Drive
29	403806	Rod, Brake	190	194318	Keeper Bellcrank Ground Drive
33	12000001	Ring E	196	17000616	Screw 3/8-16 x 1
35	583864501	Rod, Brake, Park	197	585658601	Link Clutch Anti-Rotation
37	188967	Washer Hardened	205	121748X	Washer 25/32 x 1-5/8 x 16 Ga.
42	8883R	Cover, Foot Pedal	211	196212	Bushing Shaft Brake
49	72110614	Bolt	216	196131	Bracket Pulley Idler
50	194327	Pulley Idler Flat	221	403187	Retainer Spring Clip Handle
51	73900600	Lock Nut 3/8-16	225	403319	Keeper Belt Trans.
52	194326	Idler V-Groove	227	17490512	Screw Thdrol 5/16-18 x 3/4
56	130969	V-Belt, Drive	231	407287	Idler V-Groove Pulley
64	196200	Shaft Asm. Pedal Brake Control	232	74780716	Bolt Fin Hex 7/16-14 x 1 Gr. 5
70	193095X428	Console Asm.	233	405296	Washer Serrated
73	74490560	Bolt 5/16-18 x 3.75	279	406207	Link Shift
74	142432	Screw Hexwsh Hi-Lo 1/4 x 1/2 unc	325	585995702	Bracket TRQ LH
99	415743	Rod Spring Bypass	326	585993102	Bracket TRQ RH
116	73900500	Nut Lock Hex Flange 5/16-18	334	585882202	Sway Rod Bracket
125	17000512	Screw 5/16-18 x 3/4	336	587259601	Bolt
143	17490508	Screw 5/16-18 x 1/2			
153	4497H	Retainer Spring			
159	76020412	Pin Cotter 1/8 x 3/4			
160	169484	Retainer Clip			
161	105709X	Spring, Return, Clutch			
162	580457401	Spacer Transaxle			
166	429164	Nut Push .625			
167	405257	Latch Brake Parking			
170	413430	Keeper Belt Centerspan			

**NOTE:** All component dimensions given in U.S. inches  
 1 inch = 25.4 mm

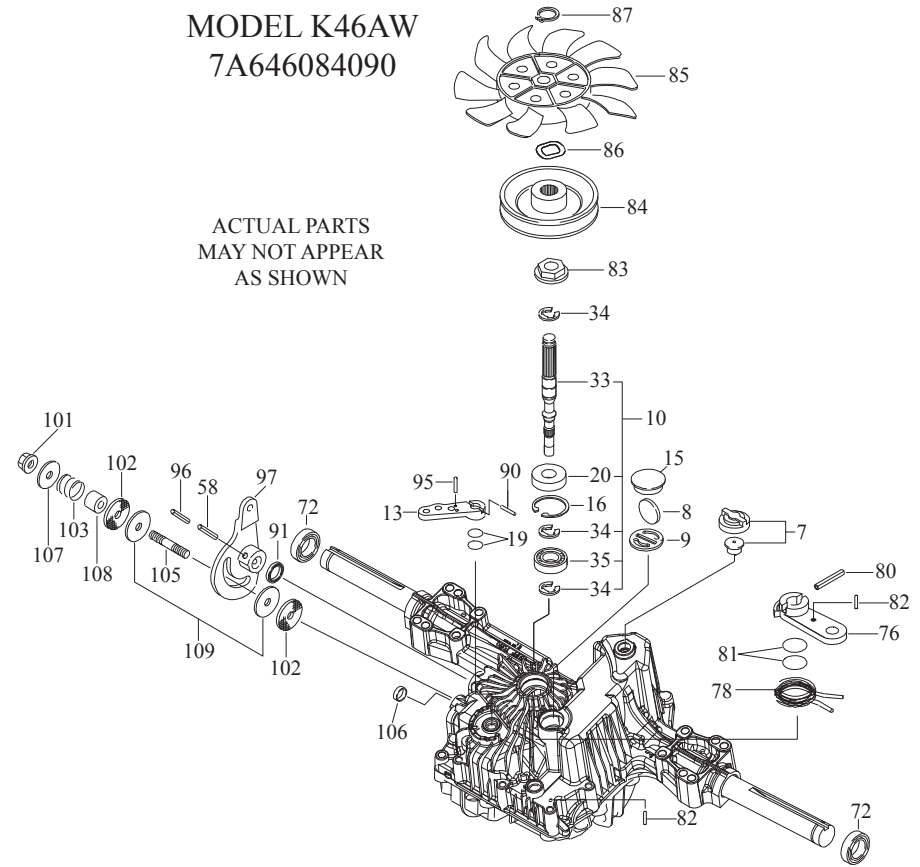


**SPARK ARRESTER KIT**

engine-tex\_bs-2cyl\_168

MODEL K46AW  
7A646084090

ACTUAL PARTS  
MAY NOT APPEAR  
AS SHOWN



**KEY PART NO. NO.**

KEY PART NO.	PART NO.	DESCRIPTION
7	414395	Vent Valve 15
8	414396	Magnet
9	414397	Magnet Holder
10	415923	Pump Shaft/Bearing Kit
13	414398	Bypass Lever
15	414399	Sealing Cap 30
16	414400	Snap Ring c 35
19	414401	O-ring 1A P10A
20	414402	Seal TC 153507
33	414403	Pump Shaft (Standard)
34	414404	E-ring 15
35	414405	Bearing 6202C3
58	414406	Roll Pin 6 * 40
72	414407	Seal 19 * 32 * 8
76	414408	Brake Lever
78	414409	Brake Return Spring
80	414410	Spring Pin 5 * 32
81	414411	O-ring 1A P12
82	414412	Spring Pin 4 * 16
83	414413	Spine Collar

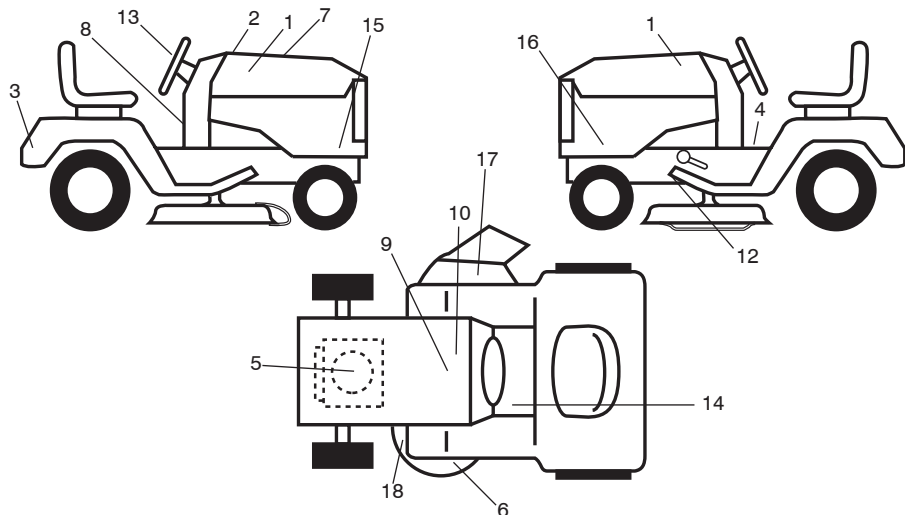
**KEY PART NO. NO.**

KEY PART NO.	PART NO.	DESCRIPTION
84	414414	Pulley I
85	414415	Fan, Black
86	414416	Wave Washer
87	414417	Snap Ring
90	414418	Spring Pin 3.0A * 20
91	414419	Oil Seal 16 * 22 * 03
95	415850	Spring Pin 3.0A * 16
96	414420	Roll Pin 3.5 * 40
97	414421	Control Lever
101	414216	Lock Nut 10
102	414423	Washer 10 * 40 * 4
103	414424	Spring
105	414425	Stud 10 * 60
106	414426	Sealing Cap 18
107	414427	Washer 10 * 36 * 2.8
108	414428	Collar 10 * 20 * 17
109	414429	Friction Plate Kit

**NOTE:** All component dimensions given in U.S. inches  
1 inch = 25.4 mm

**TRACTOR - - MODEL NUMBER 917.204070**

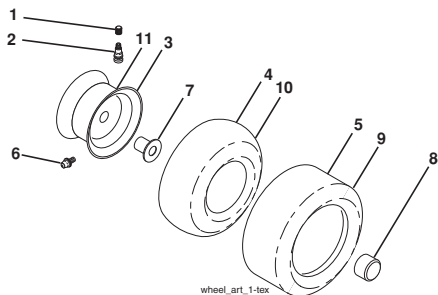
**DECALS**



KEY NO.	PART NO.	DESCRIPTION
1	585767601	Decal, Hood
2	585571401	Decal, Maint. Cust.
3	587390201	Decal, Fender
4	581578801	Decal, Warning
5	582522701	Decal, Engine
6	581580002	Decal, B-Belt Schematic
7	501880401	Decal, RPL
8	586066301	Decal, Snowflake
9	434996	Decal, Battery Warning
10	434995	Decal, Battery
15	502094601	Decal, Sideskirt RH
16	502094701	Decal, Sideskirt LH

KEY NO.	PART NO.	DESCRIPTION
12	421534	Decal, Mower V-Belt Schematic
13	581894601	Decal, Steering Wheel
14	581724201	Decal, Warning Fuel Reserve
17	584904601	Decal, Deck/Deflect Warning
18	581724502	Decal, Mower Caution
--	581724801	Decal, Bypass
--	193101X428	Pad, Footrest, LH
--	193100X428	Pad, Footrest, RH
--	115794226	Manual, Operator's (English/Spanish)
--	115794327	Manual, Parts
--	588799624	Manual, Quick Start Guide (English/Spanish)

**WHEELS & TIRES**



KEY NO.	PART NO.	DESCRIPTION
1	59192	Cap, Valve, Tire
2	65139	Stem, Valve
3	148736X613	Rim Assembly, Front
4	8134H	Tube, Front
5	106230X	Tire, Front 16 x 6.5-8
6	278H	Fitting, Grease
7	9040H	Bearing, Flange
8	104757X428	Cap, Axle (Front Wheel Only)
9	184708	Tire, Rear 22 x 9.5-12
10	7154J	Tube, Rear
11	400404X613	Rim Assembly, Rear
--	144334	Sealant, Tire (10 oz. Tube)

**NOTE:** All component dimensions given in U.S. inches  
1 inch = 25.4 mm

**TRACTOR - - MODEL NUMBER 917.204070**

**ENGINE**

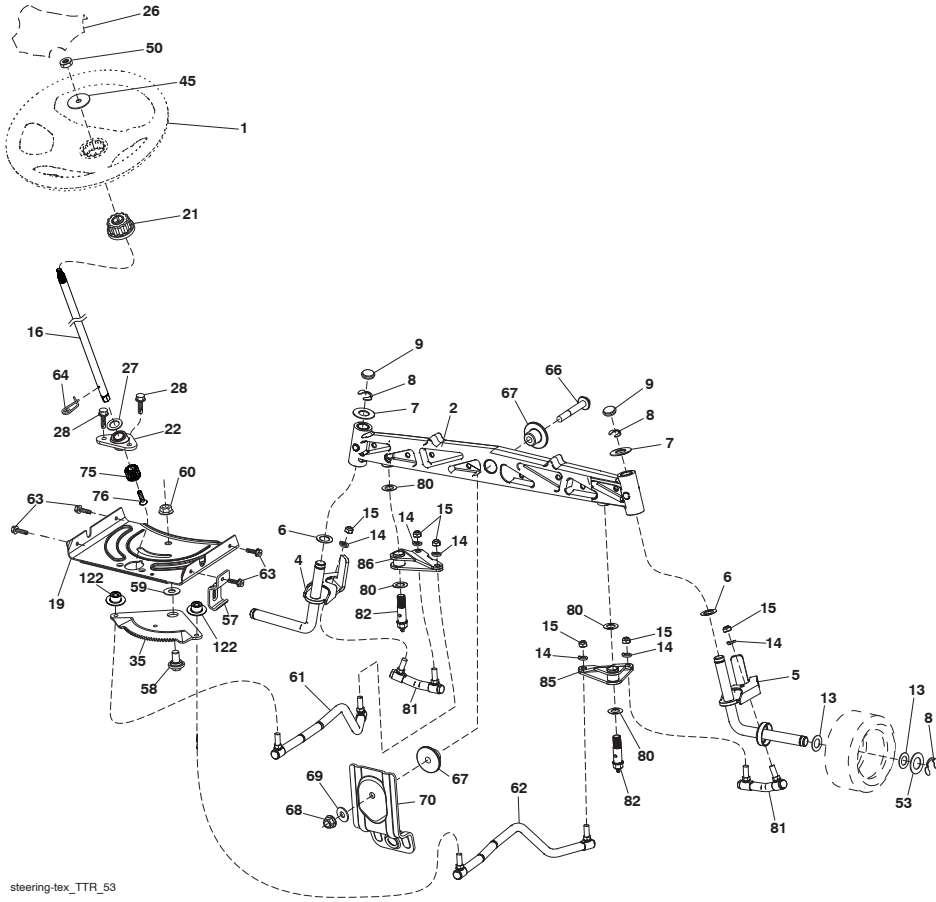
KEY NO.	PART NO.	DESCRIPTION
1	----	Engine B&S Model No. 44U877-0007-G1 (589812401) (See engine breakdown.)
2	445962	Muffler
9	501832602	Keeper Belt Engine
11	587241401	Clutch Electric
12	194343	Pulley Engine
15	438021	Tank Fuel
18	585124802	Cap Asm. Fuel
20	586219601	Control Throttle
21	416358	Screw #10 x 0.750 BOS Thread
28	401135	Fuel Line
29	137180	Spark Arrester Kit
37	123487X	Clamp Hose
41	126197X	Washer 1-1/2 OD x 15/32 TD x.250
42	539990247	Washer Lock 7/16
45	73510400	Nut Keps Hex 1/4-20
62	434017	Shield Heat Muffler
69	165391	Gasket Muffler
70	581881101	Pipe Exhaust LH
71	581881001	Pipe Exhaust RH
79	183906	Screw Socket Head 5/16-18 x 1
81	148456	Tube Oil Drain
82	428287	Valve Oil Drain
84	17060620	Screw 3/8-16 x 1-1/4
85	501606901	Bolt Hex 7/16-20 x 3.0 x Gr. 5
90	17000616	Screw 3/8-16 x 1.0
91	187495	Bushing 1.375 OD
102	17000512	Screw 5/16-18 x 3/4
116	539132624	Knob
117	420828	Valve Fuel Reserve

**NOTE:** All component dimensions given in U.S. inches  
1 inch = 25.4 mm

**Engine Power Rating Information**

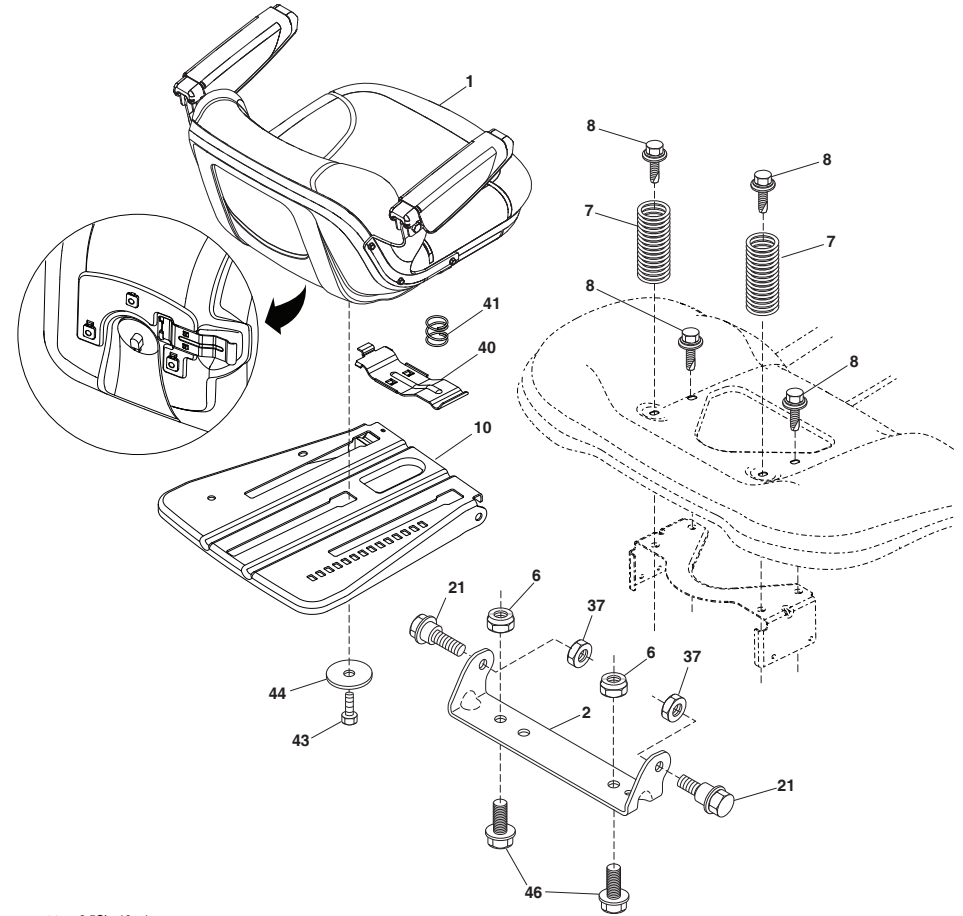
The gross power rating for individual gas engine models is labeled in accordance with SAE (Society of Automotive Engineers) code J1940 (Small Engine Power & Torque Rating Procedure), and rating performance has been obtained and corrected in accordance with SAE J1995 (Revision 2002-05). Torque values are derived at 3060 RPM; horsepower values are derived at 3600 RPM. Actual gross engine power will be lower and is affected by, among other things, ambient operating conditions and engine-to-engine variability. Given both the wide array of products on which engines are placed and the variety of environmental issues applicable to operating the equipment, the gas engine will not develop the rated gross power when used in a given piece of power equipment (actual "on-site" or net power). This difference is due to a variety of factors including, but not limited to, accessories (air cleaner, exhaust, charging, cooling, carburetor, fuel pump, etc.), application limitations, ambient operating conditions (temperature, humidity, altitude), and engine-to-engine variability. Due to manufacturing and capacity limitations, Briggs & Stratton may substitute an engine of higher rated power for this Series engine.

**TRACTOR -- MODEL NUMBER 917.204070**  
**STEERING ASSEMBLY**



steering-tex\_TTR\_53

**TRACTOR -- MODEL NUMBER 917.204070**  
**SEAT ASSEMBLY**



seat-tex\_6.5SL\_10\_r1

**KEY PART  
 NO. NO.**

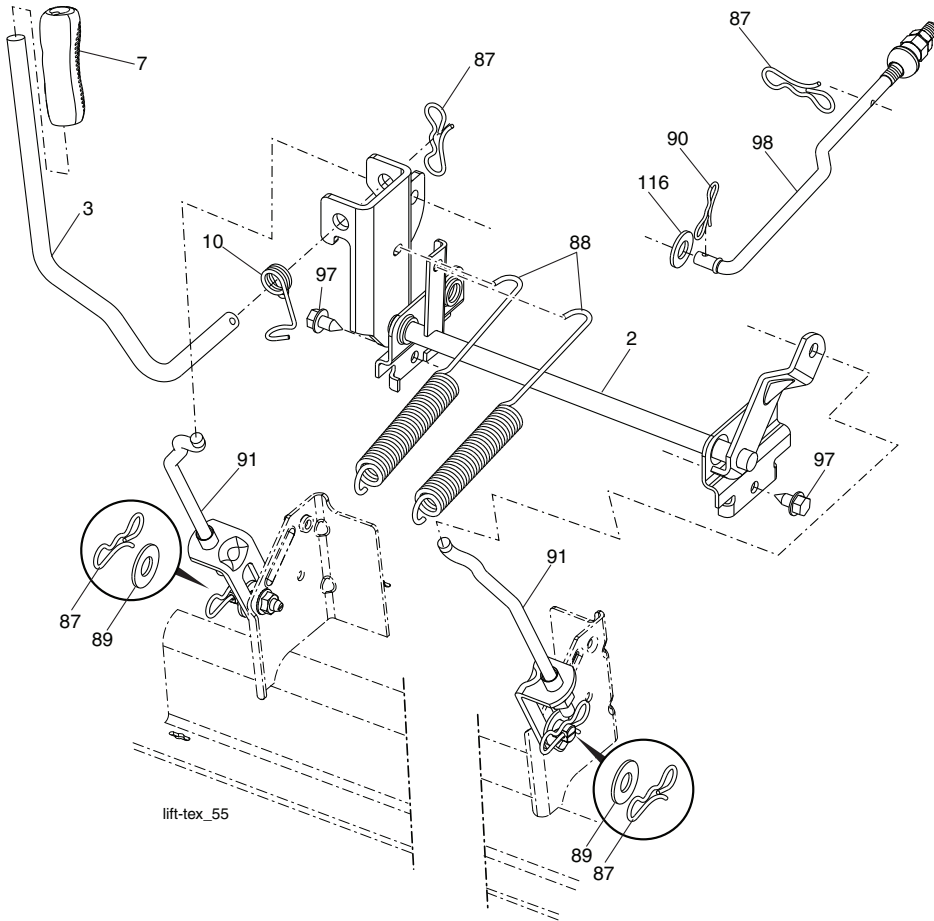
KEY PART NO.	NO.	DESCRIPTION
1	586507702	Seat
2	180166	Bracket Pivot Fender
6	73800600	Nut, Lock w/Ins. 3/8-16 unc
7	589483501	Spring, Seat Cprsn.
8	171877	Bolt 5/16-18 unc x 3/4 w/Sems.
10	587232002	Pan, Seat
21	587907801	Bolt, Shoulder 5/16-18 x 5/8
37	73800500	Nut, Lock 5/16-18 unc

**KEY PART  
 NO. NO.**

KEY PART NO.	NO.	DESCRIPTION
40	197661	Handle Slide Seat
41	198200	Spring Latch Seat
43	74760612	Bolt 3/8-16 x 3/4
44	501051801	Washer Winged 3/8 ID 1.5 OD
46	588090401	Bolt 3/8-16 x 1 1.25 OD

**NOTE:** All component dimensions given in U.S. inches  
 1 inch = 25.4 mm

**TRACTOR - - MODEL NUMBER 917.204070**  
**LIFT ASSEMBLY**



KEY PART NO.	NO.	DESCRIPTION
2	422027	Shaft Asm., Lift
3	419497	Lever Asm., Lift RH
7	445060X428	Grip, Lever
10	196314	Spring Torsion
87	194209	Pin Cotter 7/16 Bow Tie Lock
88	195304	Spring Lift Assist
89	19191912	Washer Clear Zinc
90	194208	Pin Cotter 5/16 Bow Tie Lock

KEY PART NO.	NO.	DESCRIPTION
91	197984	Link Lift Susp. Mower Rear
97	17000612	Screw 3/8-16 x .75 R.Z
98	195264	Link Lift Susp. Front Mower
116	19151516	Washer 15/32 x 15/16 x 16 Ga.

**NOTE:** All component dimensions given in U.S. inches  
 1 inch = 25.4 mm

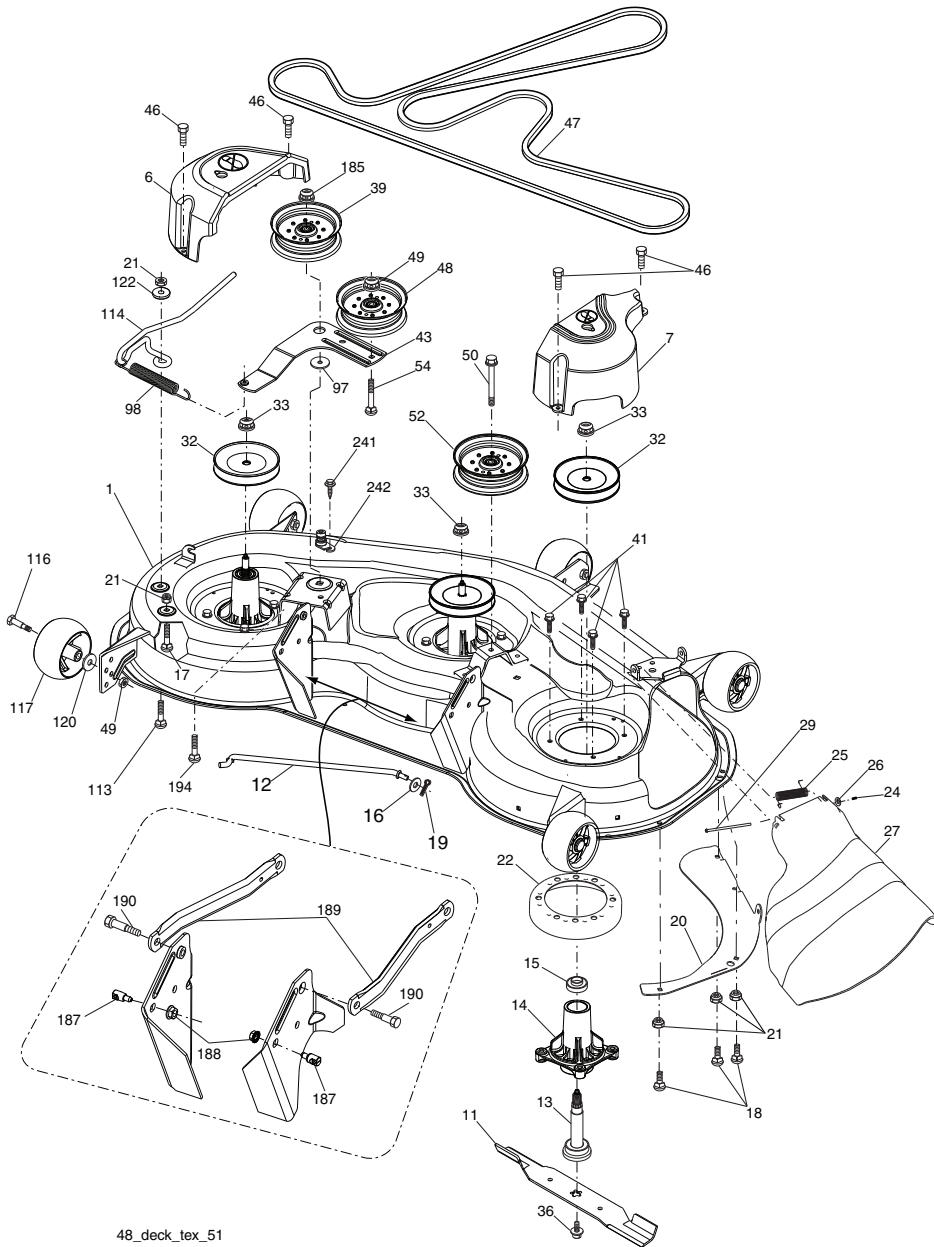
**TRACTOR - - MODEL NUMBER 917.204070**  
**STEERING ASSEMBLY**

KEY PART NO.	NO.	DESCRIPTION
1	414851X428	Wheel, Steering
2	436870	Axle Asm., Front
4	436873	Spindle Asm., LH
5	436874	Spindle Asm., RH
6	6266H	Bearing, Race Thrust Harden
7	121748X	Washer 25/32 x 1-5/8 x 16 Ga.
8	12000029	Ring, Clip #T5304-75
9	184946X667	Cap, Spindle
13	121749X	Washer 25/32 x 1-1/4 x 16 Ga.
14	539990118	Washer, 3/8 SLW 2D
15	73540600	Nut, Crown Lock 3/8-24 unf
16	587016002	Shaft Steering
19	194729	Plate Steering
21	586840201	Adapter, Wheel Steering Spind Alum
22	585029901	Bearing Subasm Shaft Steer Low
26	414852X428	Insert, Wheel Steering
27	19211616	Washer 21/32 x 1 x 16 Ga.
28	17000612	Screw 3/8-16 x 3/4
35	440770	Gear, Sector Plate
45	587016401	Washer 3/8 ID 2-3/8OD 12 Ga. PLTD
50	73900600	Nut Lock Flg. 3/8-16 unc
53	188967	Washer Hardened .793 x 1.637 x .060
57	197246	Bracket Upstop
58	194747	Bolt Shoulder Sector Pivot CFM
59	194748	Washer Thrust Sector Steering
60	73971000	Nut Flange Lock 5/8-11
61	436884	Draglink, LH
62	436885	Draglink, RH
63	17000512	Screw 5/16-18 x 3/4
64	199849	Retainer Clip Spring Steering
66	71020748	Bolt Hex Fghd 7/16-14 x 3 Serr
67	194737	Bushing PM Front Axle
68	73900700	Nut Lock Flange 7/16-14 Gr. 5
69	199162	Washer 1.5 x .505 x .118
70	585338801	Bracket Deck Susp. Front
75	580683701	Pinion
76	580683601	Screw Head Sock
80	1370H	Washer Thrust 5/8 x 1.10 x 1/32
81	436887	Link Cross
82	442147	Pivot Bolt
85	441873	Pivot Weldment RH
86	441872	Pivot Weldment LH
122	444962	Cap Gear Sector Tex

**NOTE:** All component dimensions given in U.S. inches  
 1 inch = 25.4 mm



**MOWER DECK**  
**TRACTOR - - MODEL NUMBER 917.204070**



48\_deck\_tex\_51

**MOWER DECK**  
**TRACTOR - - MODEL NUMBER 917.204070**

KEY PART NO.	NO.	DESCRIPTION	KEY PART NO.	NO.	DESCRIPTION
1	197216	Deck Weldment Mower	50	17490636	Screw 3/8-16 x 2-1/4
6	197248	Cover Mandrel LH	52	193197	Pulley Idler
7	587452401	Cover Mandrel RH	54	72110612	Bolt 3/8-16 x 1/2 Gr. 5
11	180054	Blade	97	178515	Washer Hardened
12	404851	Rod Anti-Sway	98	196105	Spring Drive
13	587256401	Shaft Asm.	113	72110508	Bolt Rdhd Sqnk 5/16-18 x 3/4
14	187281	Housing, Mandrel	114	197451	Rod Tension Relief
15	585323901	Bearing, Ball, Mandrel	116	193406	Bolt, Shoulder
16	19131312	Washer	117	174873	Gauge Wheel
17	72110505	Bolt Carr. 5/16-18 x 5/8	120	19132012	Washer 13/32 x 1-1/4 x 12 Ga.
18	72140505	Bolt RdHd 5/16-18 unc x 5/8	122	187557	Bushing Tension Relief
19	194208	Pin Cotter	185	73900700	Nut Lock Flange 7/16-14 Gr. 5
20	174378	Baffle Vortex Mower	187	195161	Stud Fastener w/"D" Anti-Rotation
21	73680500	Nut, Crownlock 5/16-18 unc	188	73900500	Nut Lock Flange 5/16-18
22	174493	Stripp Mandrel Deck	189	195185	Arm Susp. Mower Rear
24	105304X	Cap Sleeve	190	196539	Bolt Shoulder
25	178102	Spring, Torsion	194	74490736	Bolt Carr Sqnk 3/8-16 x 2-1/4
26	110452X	Nut, Push	241	152927	Screw
27	180655X428	Deflector Shield	242	415598	Washout Port
29	131491	Rod, Hinge	--	416405	Coupling Quick Disconnect
32	153532	Pulley, Mandrel	--	587125401	Mandrel Assembly (Includes Housing (key #14), Shaft Assembly (key #13), Bearing (key #15) and Nut (key #33) Only - Pulley/Washer and Blade Bolt/Washer Not Included.)
33	400234	Nut, Flg. Top Lock	--	199859	Replacement Mower, Complete
36	584309301	Screw Sems 7/16-20 x 1 Hex Head			
39	197380	Pulley, Idler			
41	584953901	Bolt Hex WSHRHD 313-18 x 1.19			
43	196065	Arm, Idler			
46	137729	Screw, Thdroll. 1/4-20 x 5/8			
47	197242	V-Belt, Mower			
48	197379	Pulley Idler			
49	73900600	Nut, Lock Flg. 3/8-16 unc			

**NOTE:** All component dimensions given in U.S. inches  
 1 inch = 25.4 mm