

CRAFTSMAN®

Product questions or problems?

1-888-331-4569

Customer Care Hot Line

Get answers to questions, troubleshoot problems,
order parts, or schedule repair service.

Para respuestas a preguntas o problemas, y ordenar
piezas o pedir servicio para la reparación de su equipo.

To help us help you, register your product at www.craftsman.com/registration

Para poderte ayudar mejor, registra tu producto en www.craftsman.com/registration

Join the Craftsman Club today!

CRAFTSMAN® CLUB

www.craftsman.com/signup

Receive exclusive member benefits including special pricing and offers,
project sharing, expert advice, and SHOP YOUR WAY REWARDS!

Como miembro exclusivo, recibe diversos beneficios como ofertas, precios especiales, proyectos
nuevos, consejos de expertos y nuestro programa de puntos SHOP YOUR WAY REWARDS!

® Registered Trademark / ™ Trademark of KCD IP, LLC in the United States, or Sears Brands, LLC in other countries
® Marca Registrada / ™ Marca de Fábrica de KCD IP, LLC en Estados Unidos, o Sears Brands, LLC in otros países

Repair Parts Manual

CRAFTSMAN®

LAWN TRACTORS

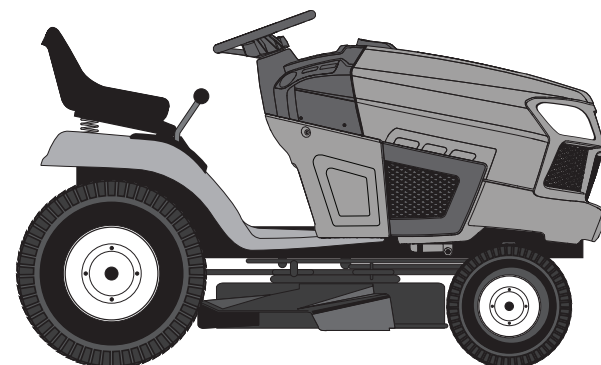
WITH SMART LAWN TECHNOLOGY



20.0 HP,* 46" Mower
Electric Start
Automatic Transmission

Model No.

917.273900



For answers to your questions
about this product, call:

1-888-331-4569

Craftsman Customer Help Line

Sears Brands Management Corporation, Hoffman Estates, IL 60179 U.S.A.
Visit our Craftsman website: www.craftsman.com

* The power rating as declared by the engine manufacturer is the average gross power output at the specified RPM of a typical production engine for the engine model measured using SAE Standards for engine gross power. Please refer to the engine manufacturer for details.

115868526 Rev. 3

⚠ WARNING: This tractor is equipped with an internal combustion engine and should not be used on or near any unimproved forest-covered, brush-covered or grass-covered land unless the engine's exhaust system is equipped with a spark arrester meeting applicable local or state laws (if any). If a spark arrester is used, it should be maintained in effective working order by the operator.

In the state of California the above is required by law (Section 4442 of the California Public Resources Code). Other states may have similar laws. Federal laws apply on federal lands. A spark arrester for the muffler is available through your nearest Sears service center (See ENGINE ASSEMBLY section of this manual).

REPAIR PROTECTION AGREEMENTS

Congratulations on making a smart purchase. Your new Craftsman® product is designed and manufactured for years of dependable operation. But like all products, it may require repair from time to time. That's when having a Repair Protection Agreement can save you money and aggravation.

Here's what the Repair Protection Agreement* includes:

- ☑ **Expert service** by experienced service technicians trusted in millions of homes every year.
- ☑ **Unlimited service and no charge** for parts and labor on all covered repairs.
- ☑ **Product replacement** up to \$1500 if your covered product can't be fixed.
- ☑ **Discount of 25%** from regular price of service and related installed parts not covered by the agreement.
- ☑ **Fast help by phone** – phone support from a service agent on all products to help troubleshoot problems. Think of us as a "talking owner's manual."

Once you purchase the Repair Protection Agreement, a simple phone call is all that it takes for you to schedule service. You can call anytime day or night.

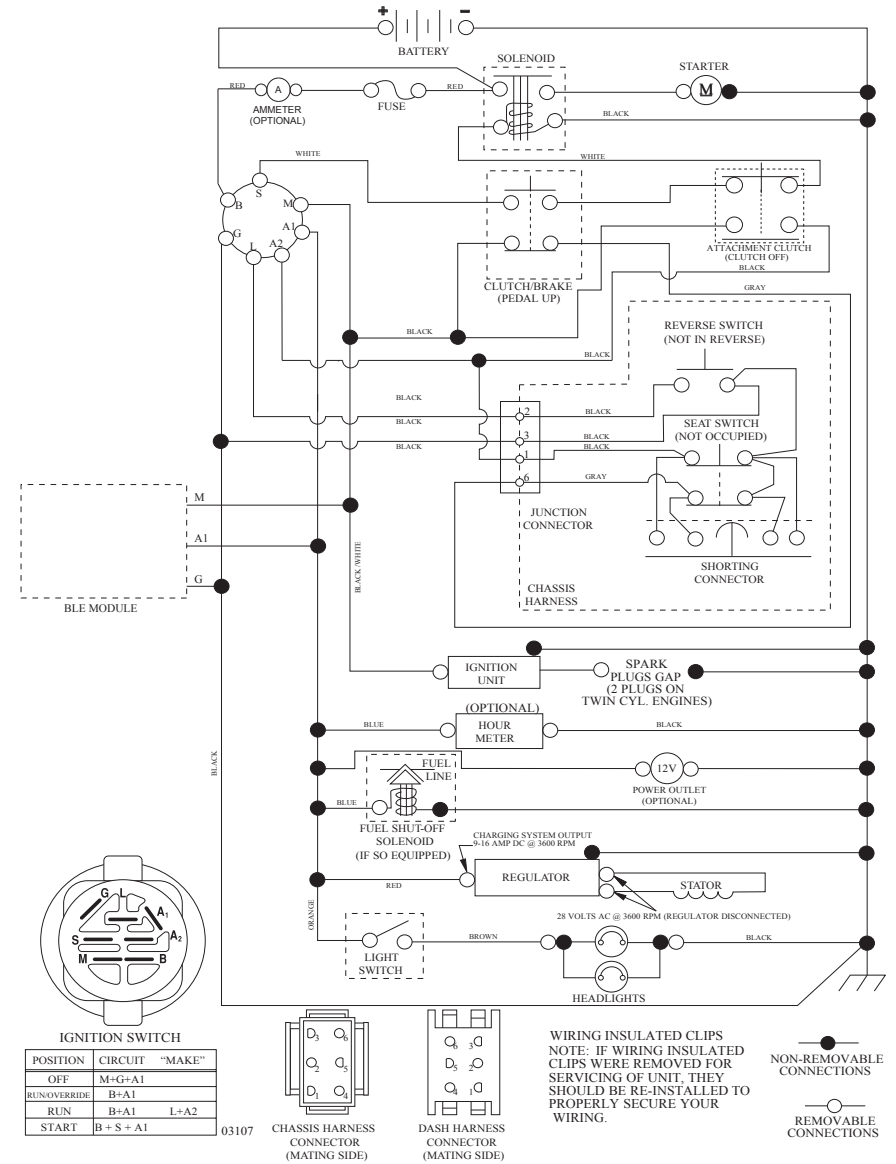
The Repair Protection Agreement is a risk-free purchase. If you cancel for any reason during the product warranty period, we will provide a full refund. Or, a prorated refund anytime after the product warranty period expires. Purchase your Repair Protection Agreement today!

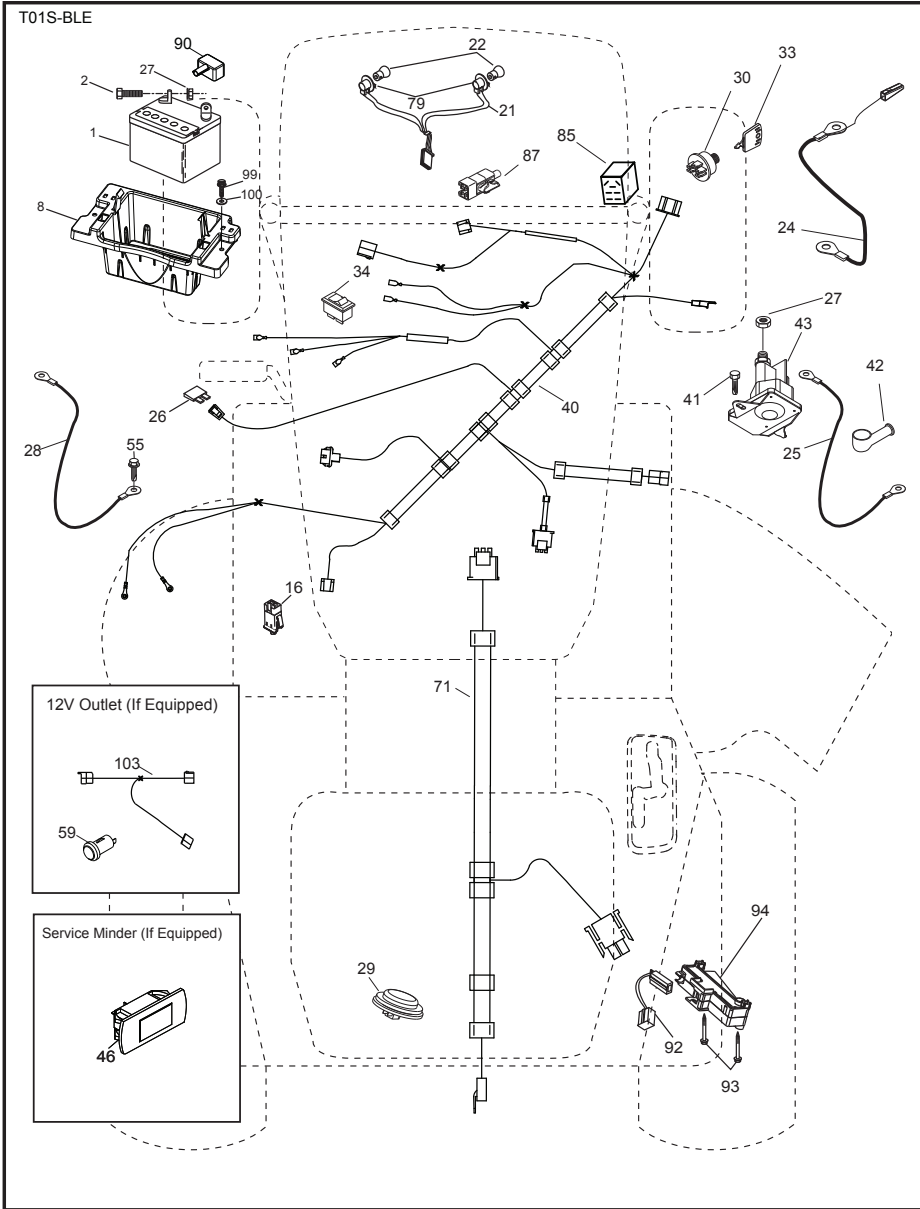
Some limitations and exclusions apply. For prices and additional information call 1-800-827-6655.

Sears Installation Service

For Sears professional installation of home appliances, garage door openers, water heaters, and other major home items, call 1-888-331-4569.

SCH10-BLE





TRACTOR - - MODEL NUMBER 917.273900

BRIGGS & STRATTON ENGINE-MODEL NUMBER 44N877, TYPE NUMBER 0039-G1

KEY NO.	PART NO.	DESCRIPTION	KEY NO.	PART NO.	DESCRIPTION
523	594258	Dipstick	975	594208	Bowl-Fuel
524	691032	Seal-Dipstick Tube	1005	593640	Fan-Flywheel
525	691037	Tube-Dipstick	1012	592556	Retainer-Link
537	594915	Kit-Governor/Idle Spring	1013	690954	Nipple-Oil Filter
540	594325	Plate-Baffle	1017	796214	Screen-Oil Pump
552	796638	Bushing-Governor Crank	1022	690971	Gasket-Rocker Cover
552A	690553	Bushing-Governor Crank	1023	793146	Cover-Rocker (Cylinder #1)
562	690311	Screw (Governor Control Lever)	1023A	499600	Cover-Rocker (Cylinder #2)
			1024	796220	Pump-Oil
573	594902	Plate-Back	1026	690981	Rod-Push (Exhaust) (Steel)
584	594164	Cover-Breather Passage	1026A	690982	Rod-Push (Intake) (Aluminum)
601	691038	Hose-Clamp (Black)	1027	696854	Filter-Oil
601A	791850	Hose-Clamp (Green)	1029	690972	Arm-Rocker
615	698290	Retainer-Governor Shaft	1029A	807323	Arm-Rocker
616	691045	Crank-Governor	1036		Label-Emissions (Available From A Briggs & Stratton Authorized Dealer)
617	594209	Seal-O Ring (Intake Manifold) (Green)			Plate-Trim
617A	697891	Seal-O Ring (Intake Manifold) (Red)	1040	791237	Ring-Retaining
618	594326	Screw (Baffle Plate)	1051	691265	Kit-Screw/Washer (Alternator)
633	699813	Seal-Choke/Throttle Shaft (Choke Shaft)	1059	698516	Screw (Flywheel Fan)
633A	699813	Seal-Choke/Throttle Shaft (Throttle Shaft)	1070	593638	Retainer-Brush
635	66538s	Boot-Spark Plug	1090	691293	Gasket Set-Valve
654	690958	Nut (Carburetor)	1095	594214	Pivot-Rocker Arm
668	691500	Spacer (Rotating Screen)	1100	791959	Screw (Alternator)
668A	691215	Spacer (Rotating Screen)	1119	691183	Screw (Float Bowl)
684	691108	Screw (Breather Passage Cover)	1127	695407	Reed-Breather
			1263	594166	Screw (Breather Reed)
			1264	594165	Replacement Engine
			1329	N/A	Repair Manual
			1330	273521	
691	790574	Seal-Governor Shaft			
697	591909	Screw (Drive Cap)			
703	691010	Clip (Fuel Line)			
718	690959	Pin-Locating			
718A	594988	Pin-Locating (Cylinder) (Spiral)			
729	593826	Clip-Wire			
741	690980	Gear-Timing			
742	690328	Retainer-E Ring			
750	796208	Screw (Oil Pump Cover)			
783	592600	Gear-Pinion (Steel)			
789	698330	Harness-Wiring			
798	697890	Screw (Rocker Arm)			
801	691283	Cap-Drive			
802	691286	Cap-End			
842	691031	Seal-O Ring (Dipstick Tube)			
847	499602	Dipstick/Tube Assembly			
850	100106	Sealant-Liquid (Used After Date Code: 15071500).			
851	493880s	Terminal-Spark Plug			
865	591667	Cover-Air Guide (Valley)			
868	690968	Seal-Valve			
877	790544	Wire/Connector-Alternator			
883	690970	Gasket-Exhaust			
914	691127	Screw (Rocker Cover)			
918	596163	Hose-Vacuum (Rocker Cover #1)			
918A	799160	Hose-Vacuum (EVAP)			
943	796222	Seal-O Ring (Oil Pump Cover)			
947	798779	Solenoid-Fuel			
964	799159	Cap-Connector			
965	796221	Cover-Oil Pump			
968	795120	Cover-Air Cleaner			

NOTE: All component dimensions given in U.S. inches
1 inch = 25.4 mm

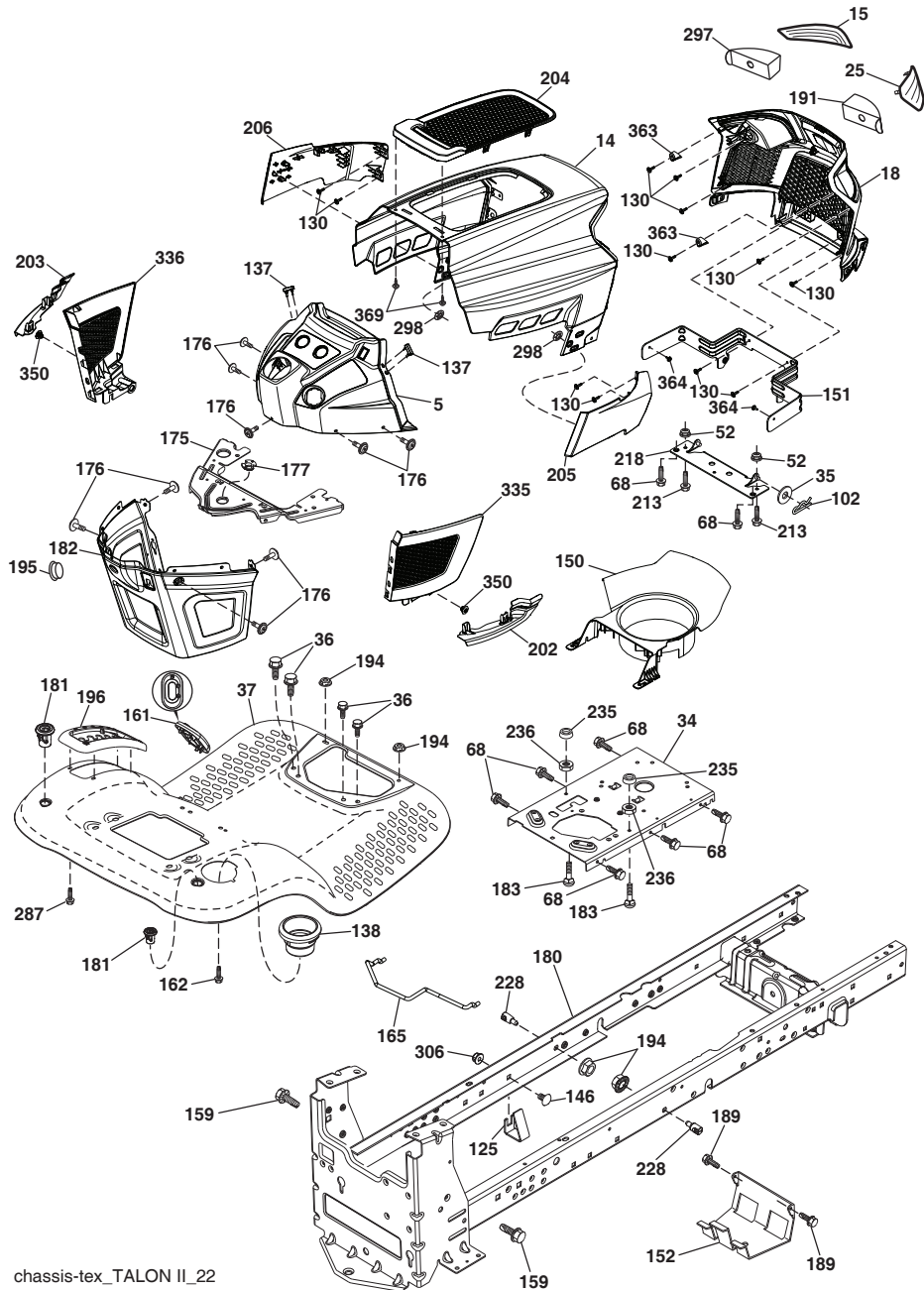
ELECTRICAL

TRACTOR - - MODEL NUMBER 917.273900

KEY NO.	PART NO.	DESCRIPTION
1	163465	Battery
2	74760412	Bolt Hex Hd. 1/4-20 unc x 3/4
8	587205101	Box Battery
16	176138	Switch Interlock Push-In
21	400252	Harness Socket Light w/4152J
22	4152J	Bulb Light
24	585555601	Cable Battery
25	585555501	Cable Starter
26	175158	Fuse
27	73510400	Nut Keps Hex 1/4-20 unc
28	416588	Cable, Ground
29	401545	Switch, Seat
30	193350	Switch, Ign.
33	411932	Key/Chain
34	110712X	Switch Light/Reset
40	589882101	Harness Ign. Dash
41	17720408	Screw Thd. Cut 1/4-20 x 1/2
42	131563	Cover, Terminal
43	582042801	Solenoid
46	586161801	Gauge Hourmeter
55	17060512	Screw Thdrol. 5/16-18 x 3/4 TYTT
71	194276	Harness Ign. Chassis
79	175242	Socket Asm. Bulb Twistlock
85	589795601	Switch Module Key BLE
87	197802	Switch Interlock
90	435395	Cover Terminal Battery
92	196615	Harness Pigtail Console
93	192540	Screw Plastic
94	191834	Module Reverse
99	17670412	Screw Hexwsh. Thdrol. 1/4-20 x 3/4
100	19091416	Washer 9/32 x 7/8 x 16 Ga.

NOTE: All component dimensions given in U.S. inches
1 inch = 25.4 mm

TRACTOR -- MODEL NUMBER 917.273900
CHASSIS ASSEMBLY



chassis-tex_TALON II_22

TRACTOR -- MODEL NUMBER 917.273900
BRIGGS & STRATTON ENGINE-MODEL NUMBER 44N877, TYPE NUMBER 0039-G1

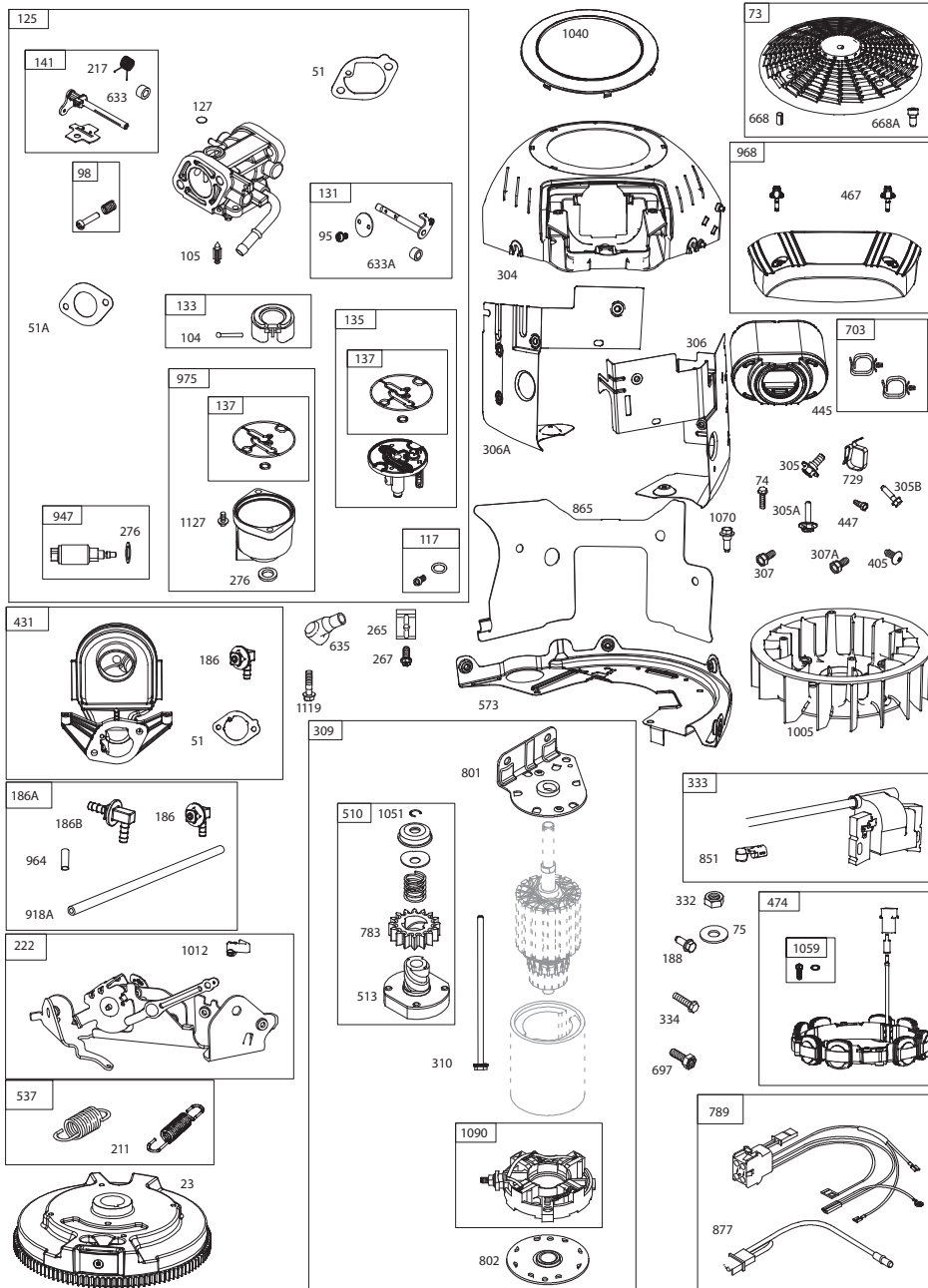
KEY NO.	PART NO.	DESCRIPTION	KEY NO.	PART NO.	DESCRIPTION
1	594969	Cylinder Assembly	133	694914	Float-Carburetor
2	797673	Bushing/Seal Kit (Magneto Side)	135	591701	Tube-Fuel Transfer
3	391086s	Seal-Oil (Magneto Side)	137	698781	Gasket-Float Bowl
4	594974	Sump-Engine	141	594211	Kit-choke Shaft
5	796231	Head-Cylinder (Cylinder #1)	186	845141	Connector-Hose (EVAP)
5A	796232	Head-Cylinder (Cylinder #2)	186A	799158	Connector-Hose (EVAP)
7	693997	Gasket-Cylinder Head	186B	594428	Connector-Hose (EVAP)
9	690937	Gasket-Breather	187	791766	Line-Fuel (Cut to Required Length)
11	594163	Tube-Breather	188	691108	Screw (Control Bracket)
12	594195	Gasket-Crankcase (Includes 10 Engine Sump Screws)	192	690083	Adjuster-Rocker Arm
13	592244	Screw (Cylinder Head)	211	593724	Spring-Governed Idle (Black)
15	690946	Plug-Oil Drain	212	792265	Link-Throttle
16	796237	Crankshaft	216	796229	Link-choke
20	795387	Seal-Oil (PTO Side)	217	799771	Spring-choke Return
22	694966	Screw (Crankcase Cover/ Sump)	219	793338	Gear-Governor
23	594302	Flywheel	220	799772	Washer (Governor Gear)
24	222698s	Key-Flywheel (Aluminum)	221	841026	Cup-Governor
25	793647	Piston Assembly (Standard)	222	592555	Bracket-Control
	793648	Piston Assembly (.020" Over size)	227	798856	Lever-Governor Control
26	791787	Ring Set (Standard)	232	795915	Spring-Governor Link
	791792	Ring Set (.020" Oversize)	240	845125	Filter-Fuel
27	690975	Lock-Piston Pin	265	691024	Clamp-Casing
28	593650	Pin-Piston	267	792629	Screw (Casing Clamp)
29	796209	Rod-Connecting	276	792629	Washer-Sealing (Aluminum)
32	690976	Screw (Connecting Rod)	287	697820	Screw (Dipstick Tube)
33	697576	Valve-Exhaust	304	591668	Housing-Blower
34	792200	Valve-Intake	305	594618	Screw (Blower Housing)
35	694865	Spring-Valve (Intake)	305A	790690	Screw (Blower Housing)
36	694865	Spring-Valve (Exhaust)			(#10-16x.62)
42	499586	Keeper-Valve	305B	691061	Screw (Blower Housing)
45	690977	Tappet-Valve			(#8-32x.87)
46	792555	Camshaft	306	591666	Shield-Cylinder (Cylinder #2)
48	N/A	Short Block	306A	796852	Shield-Cylinder (Cylinder #1)
50	594206	Manifold-Intake	307	691003	Screw (Cylinder Shield)
51	594203	Gasket-Intake (Carburetor/Intake Elbow)	307A	691108	Screw (Cylinder Shield)
51A	594204	Gasket-Intake (Carburetor/Intake Manifold)			(1/4-20x.43)
51B	690949	Gasket-Intake	309	592599	Screw (Cylinder Shield)
53	690951	Stud (Carburetor)	309	592599	Motor-Starter
54	699816	Screw (Intake Manifold)	310	690323	Screw (Starter Motor)
73	494439	Screen-Rotating	332	691059	Nut (Flywheel)
74	698425	Screw (Rotating Screen)	333	592846	Armature-Magneto
75	691056	Washer (Flywheel)	334	691061	Screw (Magneto Armature)
95	690718	Screw (Throttle Valve)	337	491055s	Plug-Spark
98	695408	Kit-Idle Speed	358	594213	Gasket Set-Engine
104	694918	Pin-Float Hinge	377	690979	Key-Woodruff
105	698537	Valve-Float Needle	385	797409	Screw (Fuel Pump)
117	842585	Jet-Main (Standard)	387	808656	Pump-Fuel
118	792296	Jet-Main (High Altitude) (5000 > 9000 Feet)	404	690442	Washer (Governor Crank)
121	594212	Kit-Carburetor Overhaul	405	594937	Screw (Back Plate)
125	594207	Carburetor	415	794903	Plug
127	699810	Plug-Welch	431	596034	Elbow-Intake
131	594210	Kit-Throttle Shaft	445	593240	Filter-Air Cleaner Cartridge
			447	691003	Screw (Air Guide Cover)
			467	790697	Knob-Air Cleaner
			474	592831	Alternator
			505	691029	Nut (Governor Control Lever)
			510	592602	Drive-Starter
			513	692024	Clutch-Drive

TRACTOR - - MODEL NUMBER 917.273900

BRIGGS & STRATTON ENGINE-MODEL NUMBER 44N877, TYPE NUMBER 0039-G1

TRACTOR - - MODEL NUMBER 917.273900

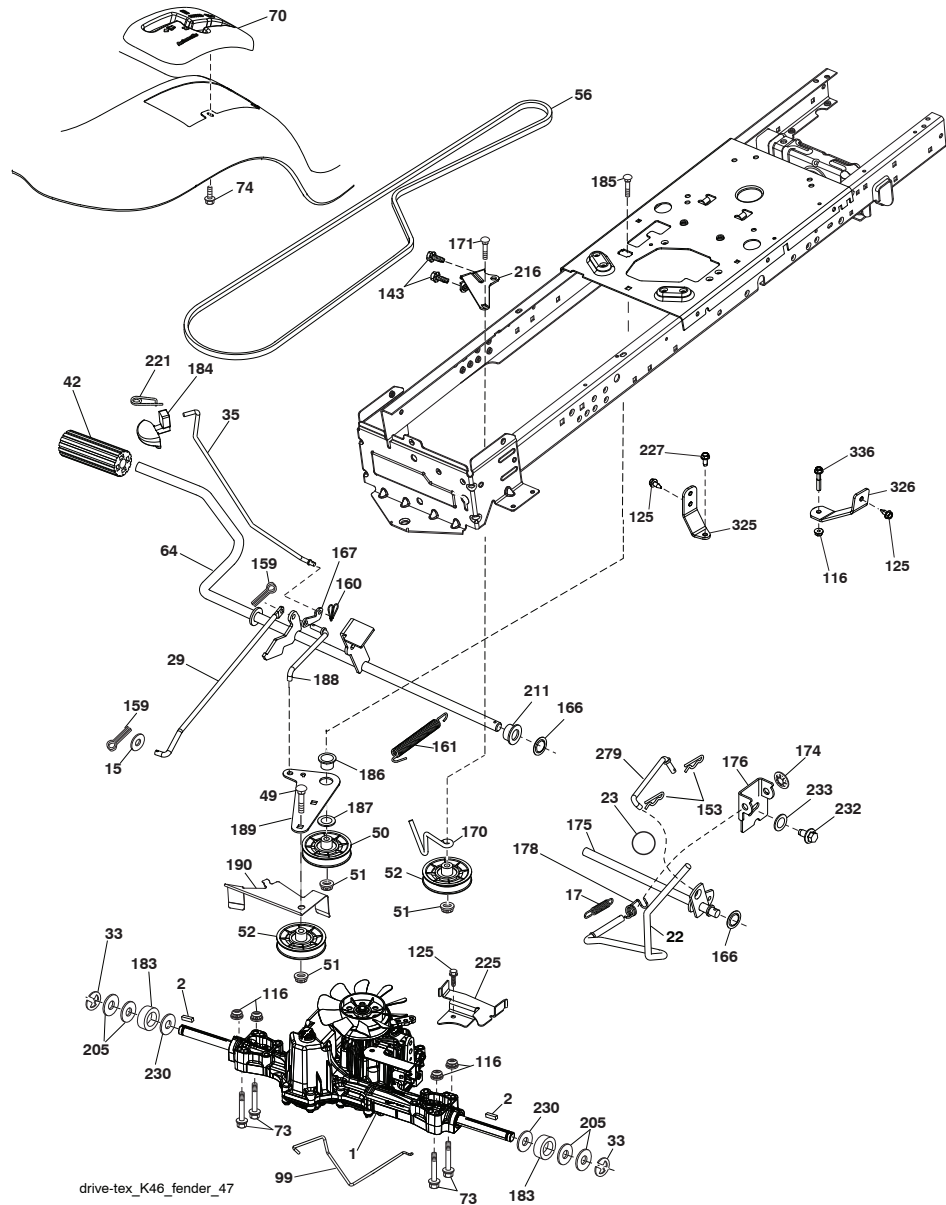
CHASSIS ASSEMBLY



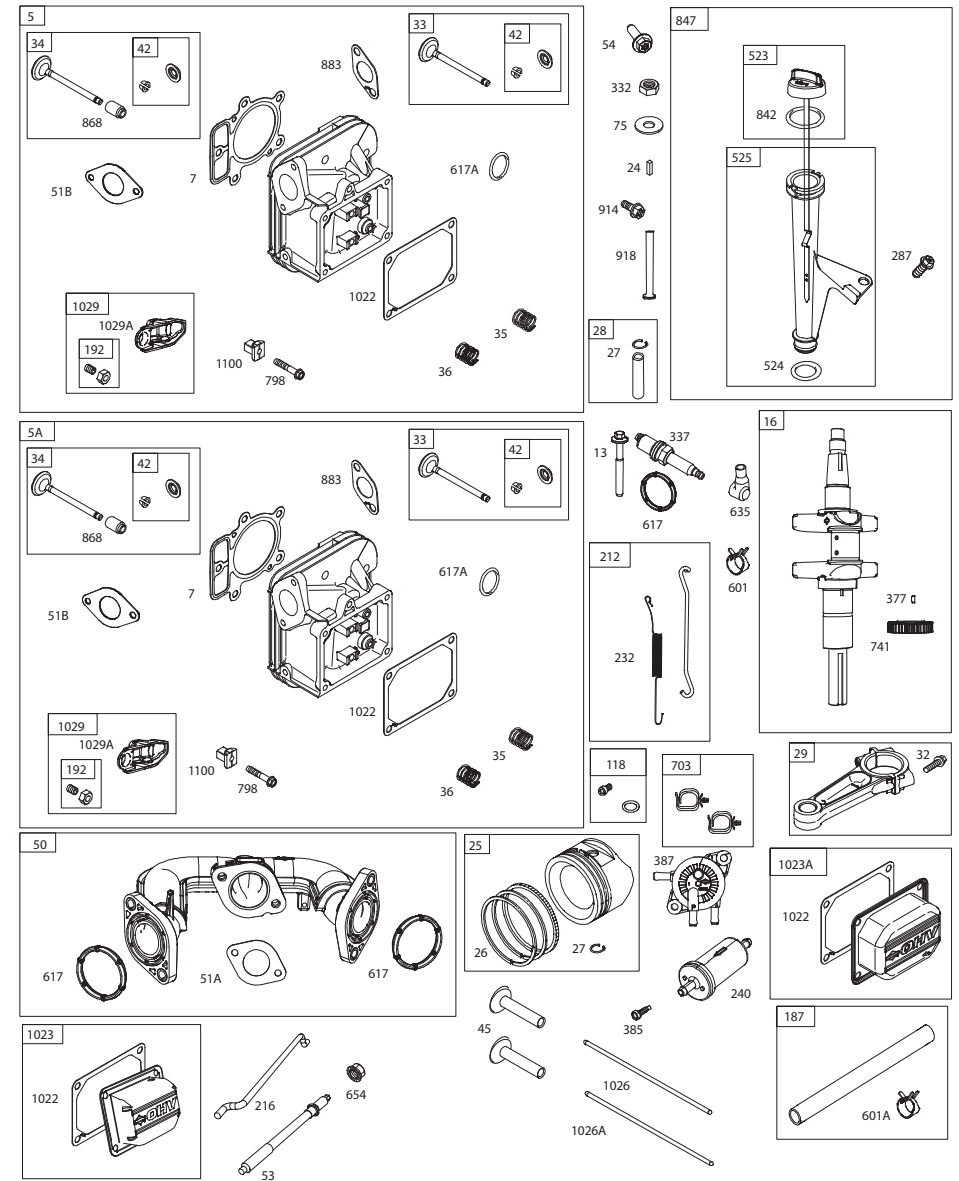
KEY PART NO. NO.	DESCRIPTION
5	589935501 Dash
14	580354406 Hood
15	580485601 Lens LH
18	580485301 Grille
25	580484501 Lens RH
34	580910801 Plate engine
35	191111116 Washer 11/32 x 11/16 x 16 Ga.
36	17060512 Screw 5/16-18 x 3/4
37	414870X615 Fender
52	73680500 Nut Crown lock 5/16-18
68	17490508 Screw Thdrol 5/16-18 x 1/2
102	4497H Retainer Spring 1"
125	581684801 Clip Fuel Line
130	416358 Screw # 10 x .750 BOS Thread
137	407590 Bumper Dash
138	193224X428 Cupholder
146	581857901 Bolt 3/8-16 x 5/8
150	585238002 Duct Heat Hood
151	580663302 Bracket Pivot
152	199535 Shield Browning/Debris
159	17000612 Screw Hexwsh Thdrol 3/8-16 x 3/4
161	193229X428 Window Fuel
162	142432 Screw Hex Wsh Hi-Lo 1/4 x 1/2
165	196826 Support Tank Rear
175	196304 Crossmember
176	400776 Screw 10-24 x 5/8 Wshd Qdrc
177	195228 Bushing Steering
180	195457 Chassis
181	193102X428 Bushing Mtg. Fender Crgo.
182	586738602 Dash Lower
183	74520520 Bolt 5/16-18 x 1-1/4
189	17000512 Screw 5/16-18 x 3/4
191	580485101 Mylar Headlight RH
194	73900500 Nut Lock Hex Flange 5/16-18
195	401556X428 Plug Hole Dash 12V Adapter
196	431658 Console Asm. Deck Lift
202	580485001 C-Closeout Lwr Trm RH
203	580484801 C-Closeout Lwr Trm LH
204	580484701 Top Vent Hood
205	580843706 Assembly Corner RH
206	580843806 Assembly Corner LH
213	74760512 Bolt hex HD 5/16-18 unc x 3/4
218	580897302 Pivot Hood Assy
228	195161 Stud Fastener
235	406129 Spacer Fender
236	73930500 Nut Center Lock 5/16-18
287	17600406 Screw Hex Washhead 1/4-20 x 3/8
297	580484901 Mylar Headlights LH
298	580851001 Nut Push
306	73900600 Nut Lock
335	580484602 C-Side Closeout RH
336	580484402 C-Side Closeout LH
350	445143 Clip X-Mass Tree
363	580724501 Cap Talon Grille
364	17060408 Screw
369	421756 Screw #10

NOTE: All component dimensions given in U.S. inches
1 inch = 25.4 mm

TRACTOR -- MODEL NUMBER 917.273900
GROUND DRIVE

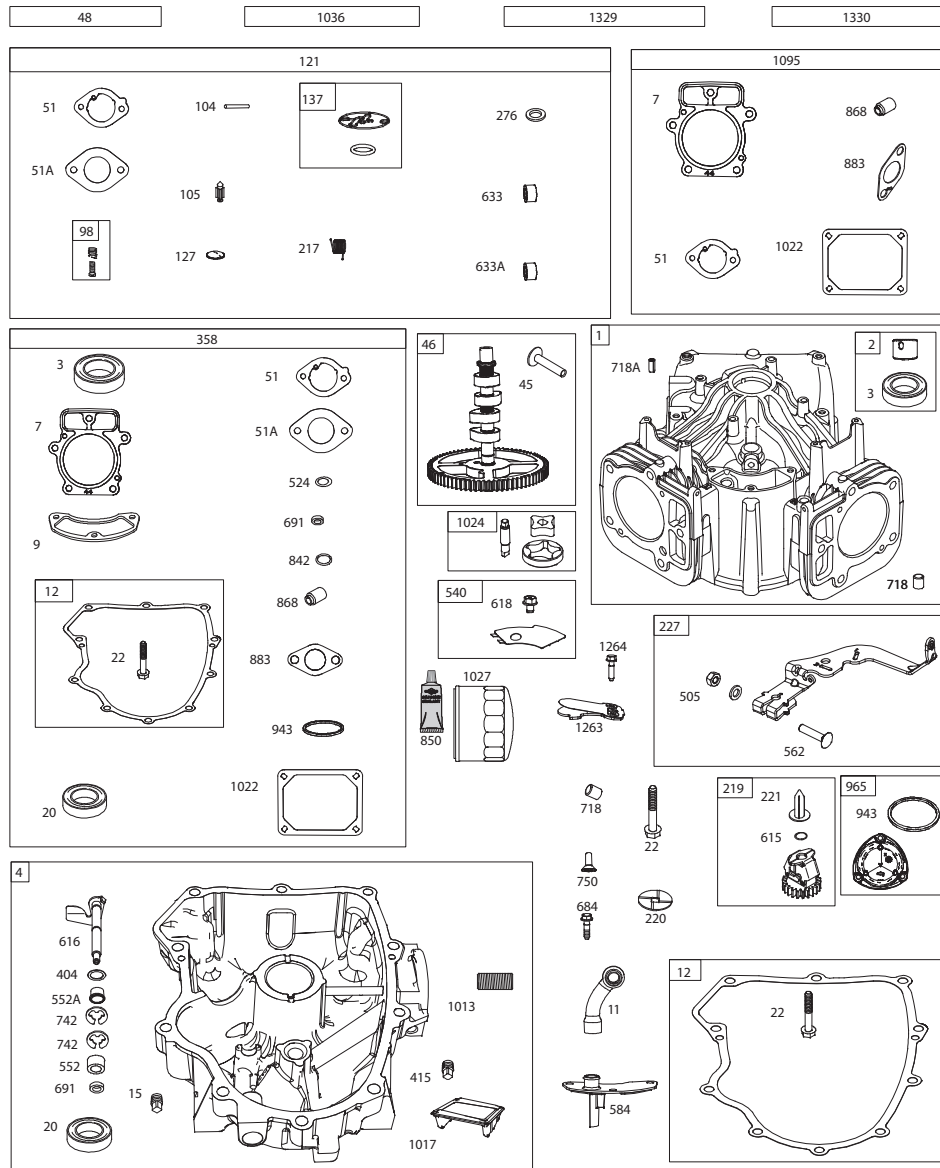


TRACTOR -- MODEL NUMBER 917.273900
BRIGGS & STRATTON ENGINE-MODEL NUMBER 44N877, TYPE NUMBER 0039-G1



TRACTOR - - MODEL NUMBER 917.273900

BRIGGS & STRATTON ENGINE-MODEL NUMBER 44N877, TYPE NUMBER 0039-G1



TRACTOR - - MODEL NUMBER 917.273900

GROUND DRIVE

KEY PART NO. NO.

DESCRIPTION

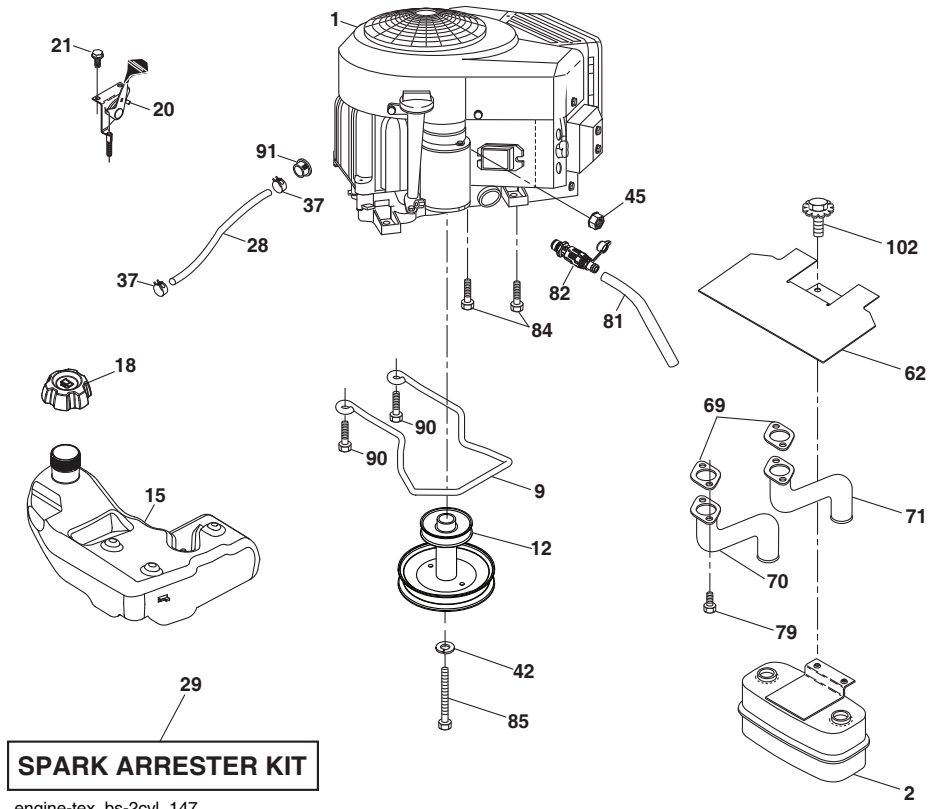
1	---	Transaxle, Tufftorq K46 BA (448348)(See Transaxle Breakdown.)
2	123583X	Key Square
15	19131316	Washer 13/32 x 13/16 x 16 Ga.
17	413678	Spring, Brake
22	197660	Rod Shift
23	140845	Knob
29	403806	Rod, Brake
33	12000001	Ring E
35	583864501	Rod, Brake, Park
42	8883R	Cover, Foot Pedal
49	72110614	Bolt
50	194327	Pulley Idler Flat
51	73900600	Lock Nut 3/8-16
52	194326	Idler V-Groove
56	130969	V-Belt, Drive
64	196200	Shaft Asm. Pedal Brake Control
70	193220X428	Console Shift
73	74490540	Bolt Hex 5/16-18 Gr. 5
74	142432	Screw 1/4 x 1/2
99	415742	Rod Spring Bypass
116	73900500	Nut Lock Hex Flange 5/16-18
125	17000512	Screw 5/16-18 x 3/4
143	17490508	Screw 5/16-18 x 1/2
153	4497H	Retainer Spring 1" STD
159	76020412	Pin Cotter 1/8 x 3/4
160	169484	Retainer Clip
161	105709X	Spring, Return, Clutch
166	429164	Nut Push .625
167	405257	Latch Brake Parking
170	194322	Keeper V-Idler

KEY PART NO. NO.

DESCRIPTION

171	72110616	Bolt 3/8-16 unc x 2
174	197289	Nut Push
175	406208	Shaft Asm Shift
176	196214	Arm Clevis Rod Shift
178	197456	Spring Shift
183	137057	Spacer Axle
184	196439X428	Handle Parking Brake
185	72110622	Bolt
186	194321	Spacer Retainer
187	19133210	Washer
188	582217001	Link Clutch Ground Drive
189	194317	Bellcrank Ground Drive
190	194318	Keeper Bellcrank Ground Drive
205	121748X	Washer 25/32 x 1-5/8 x 16 Ga.
211	196212	Bushing Shaft
216	196131	Bracket Pulley Idler
221	403187	Retainer Spring Clip Handle
225	403319	Keeper Belt Transaxle
227	17490512	Screw Thdrl 5/16-18 x 3/4
230	188967	Washer Hardened
232	74780716	Bolt 7/16-14 x 1 Gr. 5
233	405296	Washer Serrated
279	406207	Link Shift
325	585668502	Bracket TRQ STP 46 20" Tire LH
326	585670802	Bracket TRQ STP 46 20" Tire RH
336	587259601	Bolt 5/16-18 x 1-3/4 Flg.

NOTE: All component dimensions given in U.S. inches
1 inch = 25.4 mm



SPARK ARRESTER KIT

engine-tex_bs-2cyl_147

KEY PART NO.	NO.	DESCRIPTION
---	---	K46BA TRANSAXLE
7	414395	VENT VALVE 15
8	414396	MAGNET
9	414397	MAGNET HOLDER
10	415923	PUMP SHAFT/BEARING KIT
13	414398	BYPASS LEVER
15	414399	SEALING CAP 30
16	414400	SNAP RING C 35
19	414401	O-RING 1A P10A
20	414402	SEAL 19 * 32 * 8
33	414403	PUMP SHAFT (STANDARD
34	414404	E-RING 15
35	414405	BEARING 6202C3
58	414406	ROLL PIN 6 * 40
72	414407	SEAL 19 * 32 * 8
76	414408	BRAKE LEVER
78	414409	BRAKE RETURN SPRING
80	414410	SPRING PIN 5 * 32
81	414411	O-RING 1A P12
82	414412	SPRING PIN 4 * 16
83	414413	SPINE COLLAR
84	414414	PULLEY L
85	414415	FAN, BLACK
86	414416	WAVE WASHER
87	414417	SNAP RING
90	414418	SPRING PIN 3.0A * 20
91	414419	OIL SEAL 16 * 22 * 03
95	415850	SPRING PIN 3.0A * 16
96	414420	ROLL PIN 3.5 * 40
97	414421	CONTROL LEVER
101	414216	LOCK NUT 10
102	414423	WASHER 10 * 40 * 4
103	414424	SPRING
105	414425	STUD 10 * 60
106	414426	SEALING CAP 18
107	414427	WASHER 10 * 36 * 2.8
108	414428	COLLAR 10 * 20 * 17
109	414429	FRICITION PLATE KIT

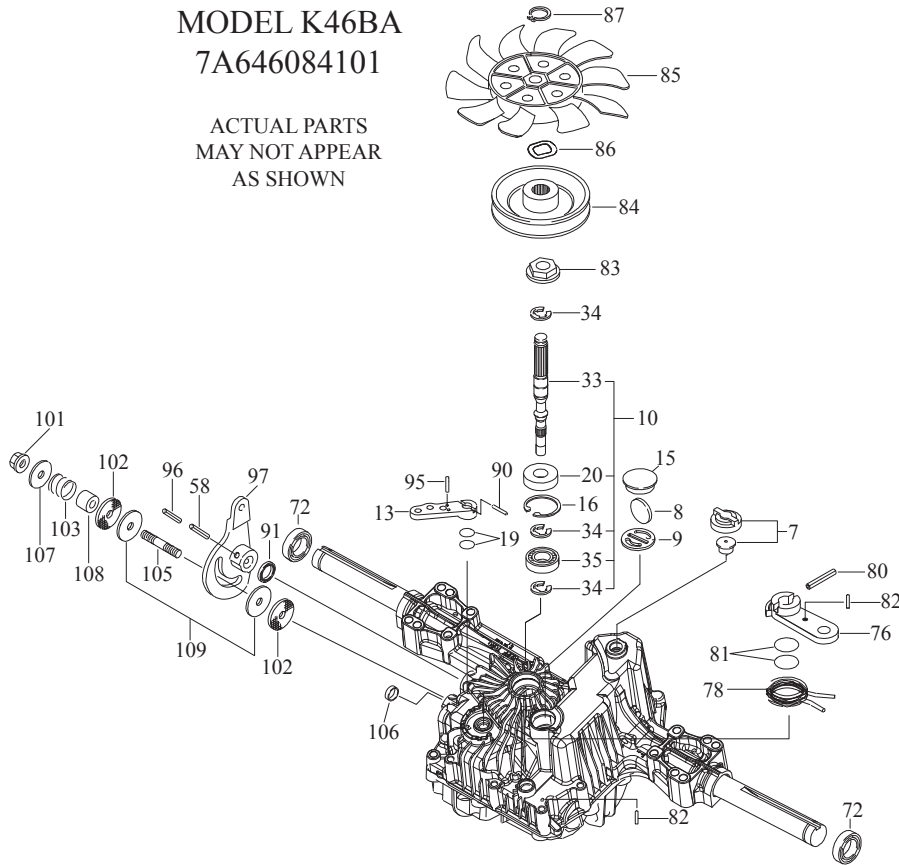
NOTE: All component dimensions given in U.S. inches
1 inch = 25.4 mm

TRACTOR - - MODEL NUMBER 917.273900
TUFF TORQ TRANSAXLE - MODEL NUMBER K46BA 448348

TRACTOR - - MODEL NUMBER 917.273900
ENGINE

MODEL K46BA
7A646084101

ACTUAL PARTS
MAY NOT APPEAR
AS SHOWN



**KEY PART
NO. NO.**

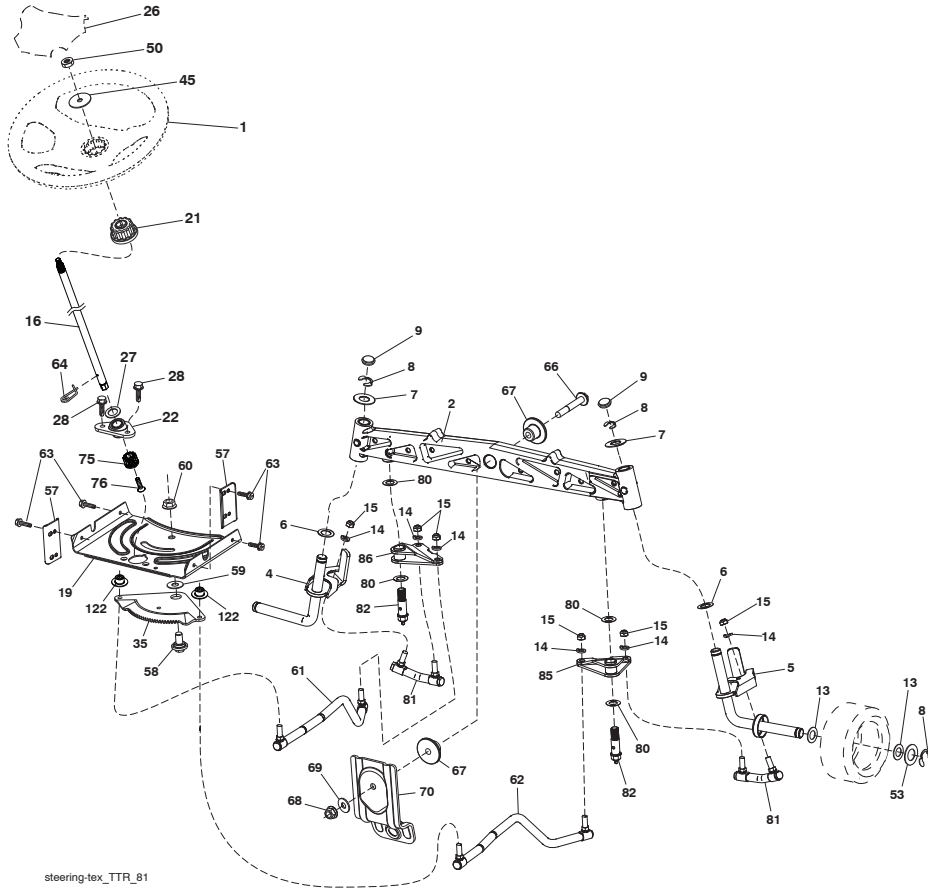
KEY PART NO.	NO.	DESCRIPTION
1	---	Engine B&S Model No. 44N877-0039-G1 (589898401)(See engine breakdown.)
2	445962	Muffler
9	501832602	Keeper Belt Engine
12	586728901	Pulley Engine
15	532438025	Tank Fuel
18	585124802	Cap Fuel
20	421473X428	Control Throttle/Choke
21	416358	Screw 10 x .750 BOS Thread
28	401135	Fuel Line
29	137180	Spark Arrester Kit
37	123487X	Clamp Hose
42	539990247	Washer Lock 7/16
45	73510400	Nut Keps Hex 1/4-20 unc
62	434017	Shield Heat
69	165391	Gasket
70	581881101	Exhaust Tube LH
71	581881001	Exhaust Tube RH
79	183906	Screw 5/16-18 x 1
81	148456	Tube Drain Oil
82	428287	Valve Oil Drain
84	17060620	Screw 3/8-16 x 1-1/4
85	501606501	Bolt Hex 7/16-20 x 4 x Gr. 5-1.5
90	17000616	Screw 3/8-16 x 1.0
91	187495	Bushing
102	17000512	Screw 5/16-18 x 3/4

NOTE: All component dimensions given in U.S. inches
1 inch = 25.4 mm

Engine Power Rating Information

The gross power rating for individual gas engine models is labeled in accordance with SAE (Society of Automotive Engineers) code J1940 (Small Engine Power & Torque Rating Procedure), and rating performance has been obtained and corrected in accordance with SAE J1995 (Revision 2002-05). Torque values are derived at 3060 RPM; horsepower values are derived at 3600 RPM. Actual gross engine power will be lower and is affected by, among other things, ambient operating conditions and engine-to-engine variability. Given both the wide array of products on which engines are placed and the variety of environmental issues applicable to operating the equipment, the gas engine will not develop the rated gross power when used in a given piece of power equipment (actual "on-site" or net power). This difference is due to a variety of factors including, but not limited to, accessories (air cleaner, exhaust, charging, cooling, carburetor, fuel pump, etc.), application limitations, ambient operating conditions (temperature, humidity, altitude), and engine-to-engine variability. Due to manufacturing and capacity limitations, Briggs & Stratton may substitute an engine of higher rated power for this Series engine.

TRACTOR - - MODEL NUMBER 917.273900
STEERING ASSEMBLY

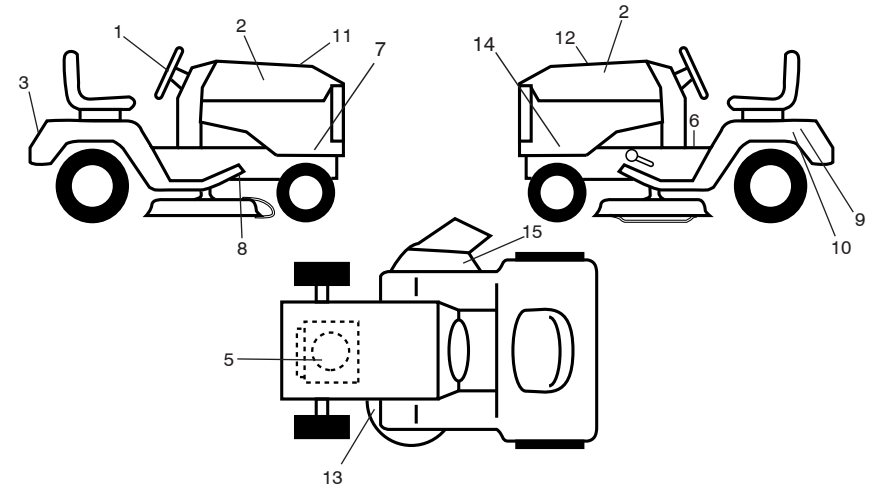


steering-tex_TTR_81

KEY PART NO.	NO.	DESCRIPTION	KEY PART NO.	NO.	DESCRIPTION
1	414851X428	Wheel, Steering	58	194747	Bolt Shoulder Sector Pivot CFM
2	436870	Axle Asm., Front	59	194748	Washer Thrust Sector Steering
4	436873	Spindle Asm., LH	60	73971000	Nut Flange Lock 5/8-11
5	436874	Spindle Asm., RH	61	436884	Draglink, LH
6	6266H	Washer Thrust 0.75 x 1.23	62	436885	Draglink, RH
7	121748X	Washer 25/32 x 1-5/8 x 16 Ga.	63	17000512	Screw 5/16-18 x 3/4
8	12000029	Ring, Clip #T5304-75	64	199849	Retainer Clip Spring Steering
9	184946X667	Cap, Spindle	66	71020748	Bolt Hex Fghd 7/16-14 x 3 Serr
13	121749X	Washer 25/32 x 1-1/4 x 16 Ga.	67	194737	Bushing PM Front Axle
14	539990118	Washer SLW STD 3/8	68	73900700	Nut Lock Flange 7/16-14 Gr. 5
15	73540600	Nut, Crown Lock 3/8-24 unf	69	199162	Washer 1.5 x .505 x .118
16	587016002	Shaft Steering	70	585338801	Bracket Deck Susp. Front
19	194729	Plate Steering	75	580683701	Pinion
21	586840201	Adapter, Wheel Steering	76	580683601	Screw Head Socket
22	585029901	Bearing Subasm Shaft Steer Low	80	1370H	Washer Thrust 5/8 x 1.10 x 1/32
26	414852X428	Insert, Wheel Steering	81	436887	Link Cross RH
27	19211616	Washer 21/32 x 1 x 16 Ga.	82	442147	Pivot Bolt
28	17000612	Screw 3/8-16 x 3/4	85	441873	Pivot RH
35	440770	Gear, Sector Plate	86	441872	Pivot LH
45	587016401	Washer 3/8 I.D. x 2-3/8 O.D. x 12 Ga.	122	444962	Cap Gear
50	73900600	Nut Lock Flg. 3/8-16 unc			
53	188967	Washer Hardened .793x1.637x.060			
57	407465	Bracket Upstop			

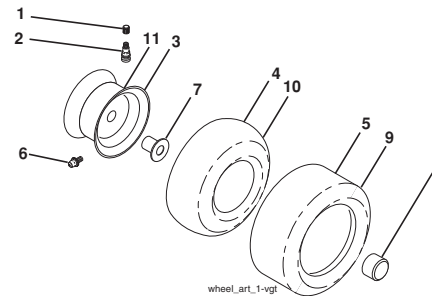
NOTE: All component dimensions given in U.S. inches
 1 inch = 25.4 mm

TRACTOR - - MODEL NUMBER 917.273900
DECALS



KEY PART NO.	NO.	DESCRIPTION	KEY PART NO.	NO.	DESCRIPTION
1	581894601	Decal, Steering	13	581580001	Decal, Mower V-Belt SCH.
2	585767601	Decal, Hood LH/RH	14	589997501	Decal, Sideskirt LH
3	587390201	Decal, Fender	15	584904601	Decal, Deck/Deflect Warning
5	589925301	Decal, Engine HP	--	581724801	Decal, Bypass
6	581578801	Decal, Mower Caution	--	193226X428	Pad, Footrest LH
7	589997601	Decal, Sideskirt RH	--	193227X428	Pad, Footrest RH
8	421534	Decal, V-Belt Schematic Drive	--	115868426	Manual, Operator's (English/Spanish)
9	434996	Decal, Battery Dnge/Poi	--	115868526	Manual, Parts
10	434995	Decal, Battery	--	588799624	Manual, Quick Start Guide (English/Spanish)
11	589886701	Decal, Replacement			
12	585571401	Decal, Customer Maint.			

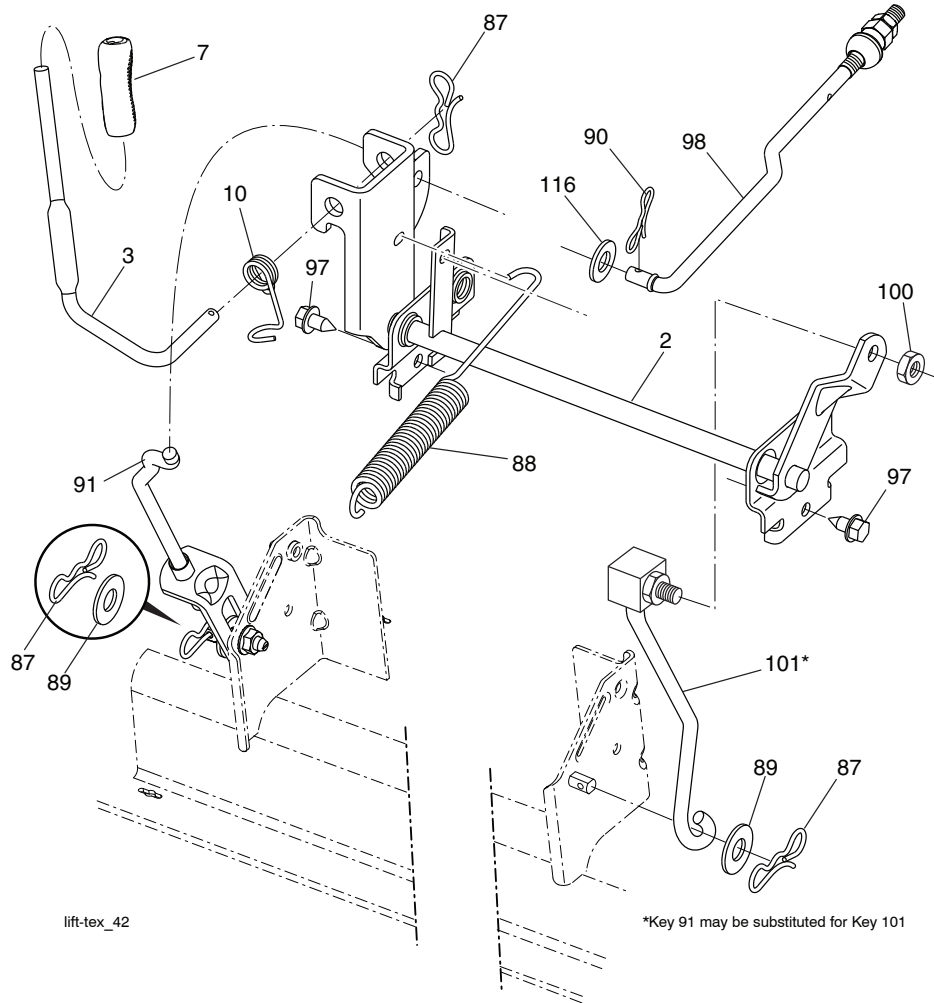
WHEELS & TIRES



KEY PART NO.	NO.	DESCRIPTION
1	59192	Cap, Valve, Tire
2	65139	Stem, Valve
3	106732X613	Rim Assembly, Front
4	59904	Tube, Front
5	106222X	Tire, Front 15 x 6-6
6	278H	Fitting, Grease
7	9040H	Bearing, Flange
8	104757X428	Cap, Axle
9	138468	Tire, Rear 20 X 8-8
10	7152J	Tube, Rear
11	106108X613	Rim Assembly, Rear
--	144334	Sealant, Tire (10 oz. Tube)

NOTE: All component dimensions given in U.S. inches
 1 inch = 25.4 mm

TRACTOR - - MODEL NUMBER 917.273900
LIFT ASSEMBLY



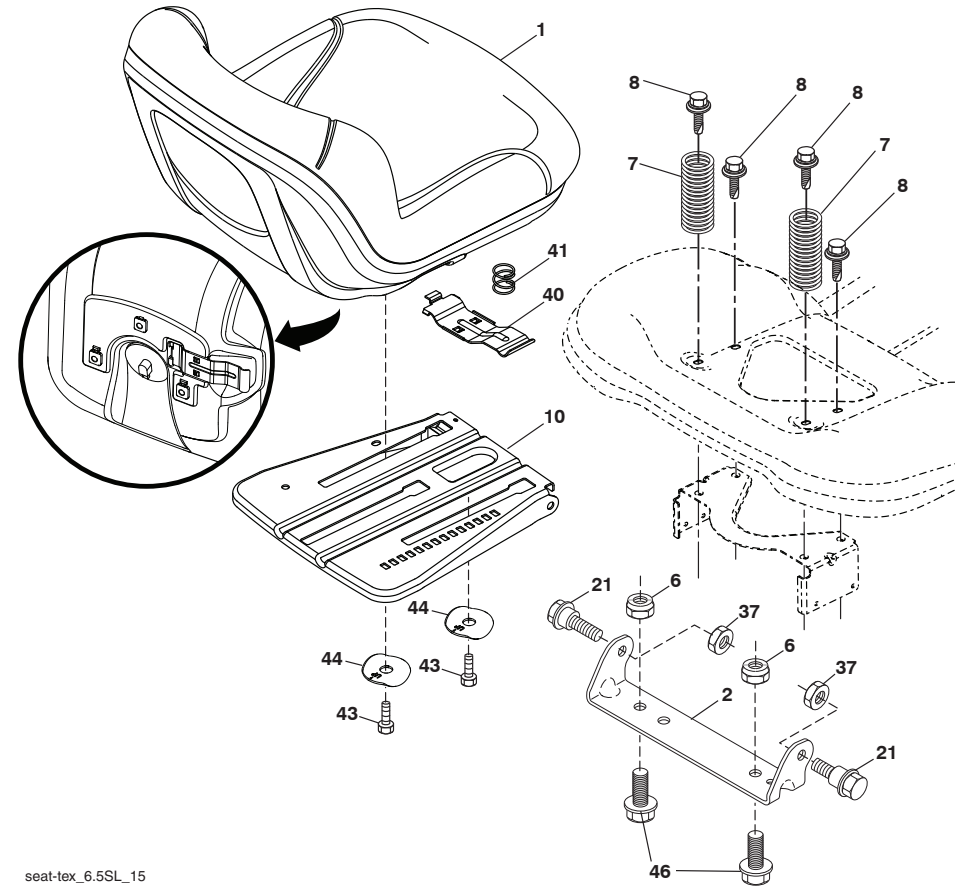
lift-tex_42

KEY PART NO. NO.	DESCRIPTION
2	422027 Shaft Asm., Lift
3	426896 Lever Lift
7	445060X428 Grip, Lever
10	196314 Spring Torsion
87	194209 Pin Cotter 7/16 Bow Tie Lock
88	410710 Spring Lift Assist
89	19191912 Washer Clear Zinc
90	194208 Pin Cotter 5/16 Bow Tie Lock
91	195181 Link Lift Susp Mower Rear

KEY PART NO. NO.	DESCRIPTION
97	17000612 Screw 3/8-16 x .75
98	195270 Link Lift Susp. Front Mower
100	73930600 Nut Centerlock 3/8-16 unc
101	407003 Link ASm Lift Fxd
116	19151516 Washer 15/32 x 15/16 x 16 Ga.

NOTE: All component dimensions given in U.S. inches
 1 inch = 25.4 mm

TRACTOR - - MODEL NUMBER 917.273900
SEAT ASSEMBLY



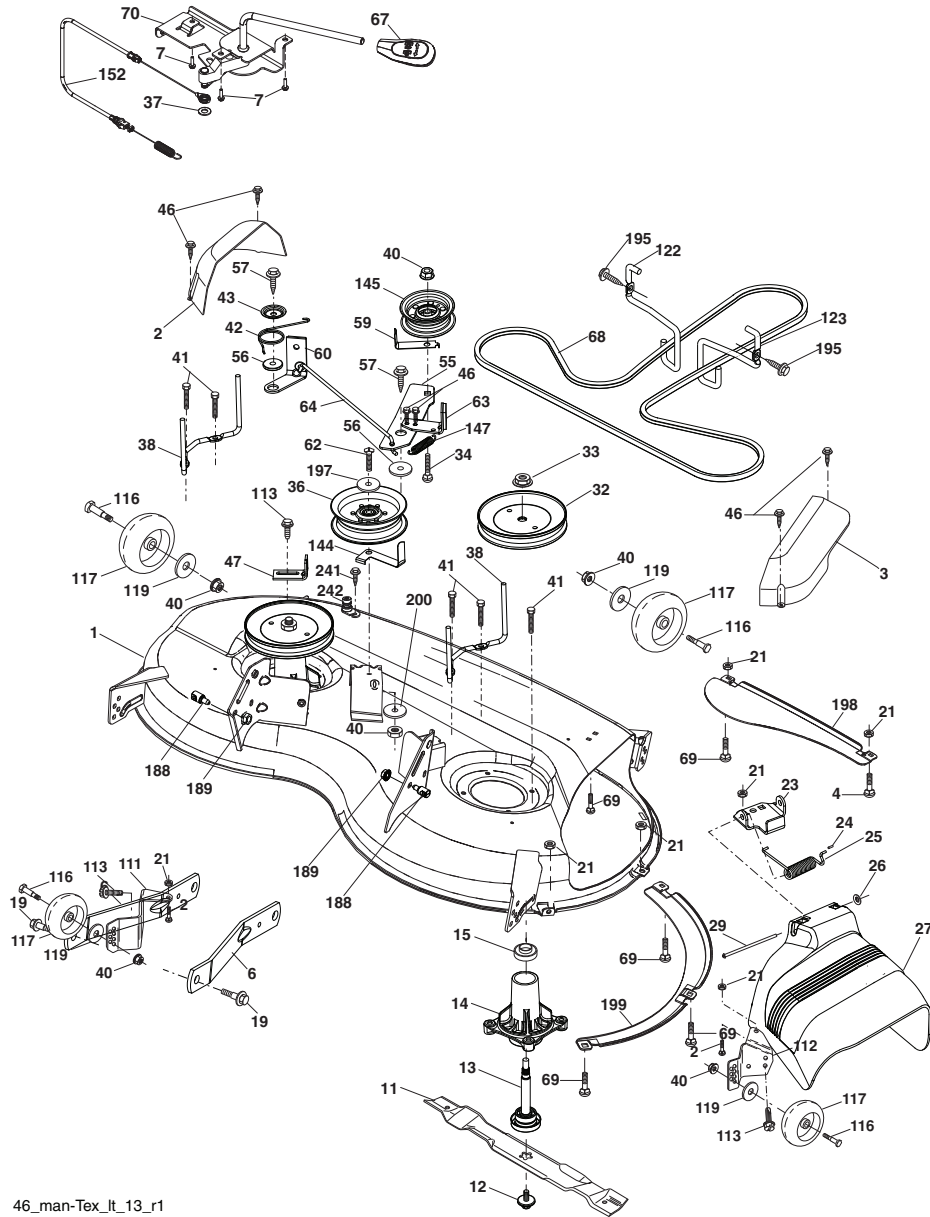
seat-tex_6.5SL_15

KEY PART NO. NO.	DESCRIPTION
1	586507601 Seat
2	180166 Bracket Pivot Fender
6	73800600 Nut, Lock W/Ins. 3/8-16 unc
7	589483501 Spring, Seat Cprsn
8	171877 Bolt 5/16-18 unc x 3/4 w/Sems
10	587232002 Pan, Seat
21	587907801 Bolt, Shoulder 5/16-18 x 5/8
37	73800500 Nut, Lock 5/16-18 unc
40	197661 Handle Slide Seat

KEY PART NO. NO.	DESCRIPTION
41	198200 Spring Latch Seat
43	74760612 Bolt 3/8-16 x 3/4
44	501051801 Washer Winged.
46	588090401 Bolt 3/8-16 x 1.25 OD Wshr SEMS

NOTE: All component dimensions given in U.S. inches
 1 inch = 25.4 mm

MOWER DECK
TRACTOR -- MODEL NUMBER 917.273900



46_man-Tex_it_13_r1

MOWER DECK
TRACTOR -- MODEL NUMBER 917.273900

KEY NO.	PART NO.	DESCRIPTION	KEY NO.	PART NO.	DESCRIPTION
1	589535316	Deck Weldment Mower	64	405138	Link Brake Asm
2	405507	Cover Mandrel LH	67	198398X667	Handle Clutch Cable
3	405506	Cover Mandrel RH	68	405143	Drive, Belt
4	74760512	Bolt Hx Hd 5/16-18 unc x 3/4	69	72140505	Bolt
6	195186	Arm Suspension	70	199972	Clutch Asm Manual
7	416358	Screw #10 x .750 BOS Thread	113	17000510	Bolt 5/16-18
11	405380	Blade	116	4898H	Bolt, Shoulder
12	584309301	Screw	117	589527401	Wheel, Gauge
13	587256501	Shaft Assembly, Mandrel	119	19121414	Washer 3/8 x 7/8 x 14 Ga.
14	187281	Housing, Mandrel	122	197258	Keeper Belt Engine LH
15	585323901	Bearing, Mandrel	123	197259	Keeper Belt Engine RH
19	196539	Bolt, Shoulder	144	199204	Keeper Belt
20	159770	Baffle Vortex	145	193197	Pulley Idler, Flat
21	73680500	Nut, Crownlock 5/16-18 unc	147	401872	Spring Return
23	192557	Bracket, Deflector	152	584243501	Manual Clutch Cable
24	105304X	Cap, Sleeve	188	195161	Stud Fastener
25	197026	Spring, Torsion, Deflector	189	73900500	Nut Lock Hex Flange
26	110452X	Nut, Push	195	17000612	Screw Hex Wsh Thdr 3/8-16 x 3/4
27	405357	Shield, Deflector	197	19131312	Washer 13/32 x 13/16 x 12 Ga.
29	131491	Rod, Hinge	198	403149	Baffle Center
32	197473	Pulley, Mandrel	199	403150	Baffle Front
33	400234	Nut, Toplock, Flanged	200	413524	Washer 13/32 x 1 x 1/2.11
34	72110612	Bolt Carr Sh. 3/8-16 x 1-1/2 Gr. 5	241	152927	Screw TT #10-32.5. 3/8 Flange
36	197379	Pulley, Idler	242	415598	Port Washout
37	19131316	Washer	--	416405	Coupling Quick Connect
38	432520	Keeper Belt LH Mandrel	--	587253301	Mandrel Assembly (Includes housing (key #14), shaft assembly (key #13), and bearing only (key #15) - pulley/nut/washer and blade bolt/washers not included)
40	73900600	Nut, Lock Flg. 3/8-16 unc	--	418063	Replacement Mower, Complete
41	584953901	Bolt Hex			
42	198410	Spring Torsion Brake			
43	197256	Spring Torsion Retainer			
46	137729	Screw Thd Roll 1/4-20 x 5/8			
47	197250	Bracket Clutch Cable			
55	197249	Arm, Idler			
56	199092	Spacer, Retainer			
57	17000616	Screw 3/8-16 x 1			
59	141043	Guard, Tuv Idler			
60	199471	Arm Brake Mower			
62	74520636	Bolt Fin Hx 3/8-16 x 2-1/4 Gr. 5			
63	199477	Arm Brake Mower			

NOTE: All component dimensions given in U.S. inches
 1 inch = 25.4 mm