

# CRAFTSMAN®

Product questions or problems?

## 1-888-331-4569

### Customer Care Hot Line

Get answers to questions, troubleshoot problems,  
order parts, or schedule repair service.

Para respuestas a preguntas o problemas, y ordenar  
piezas o pedir servicio para la reparación de su equipo.

To help us help you, register your product at [www.craftsman.com/registration](http://www.craftsman.com/registration)

Para poderte ayudar mejor, registra tu producto en [www.craftsman.com/registration](http://www.craftsman.com/registration)

Join the Craftsman Club today!

## CRAFTSMAN® CLUB

[www.craftsman.com/signup](http://www.craftsman.com/signup)

Receive exclusive member benefits including special pricing and offers,  
project sharing, expert advice, and SHOP YOUR WAY REWARDS!

Como miembro exclusivo, recibe diversos beneficios como ofertas, precios especiales, proyectos  
nuevos, consejos de expertos y nuestro programa de puntos SHOP YOUR WAY REWARDS!

® Registered Trademark / ™ Trademark of KCD IP, LLC in the United States, or Sears Brands, LLC in other countries  
® Marca Registrada / ™ Marca de Fábrica de KCD IP, LLC en Estados Unidos, o Sears Brands, LLC in otros países

## Repair Parts Manual

# CRAFTSMAN®

## LAWN TRACTOR

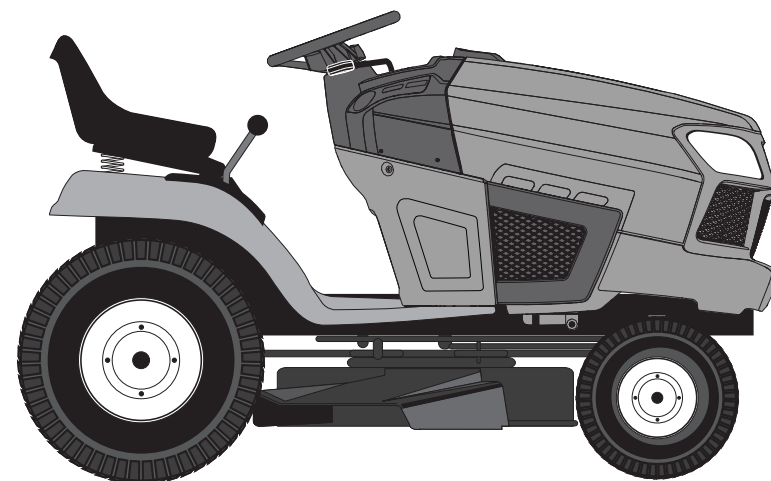
19.0 HP,\* 42" Mower

Electric Start

6-Speed Transaxle

Model No.

**917.203801**



For answers to your questions  
about this product, call:

**1-888-331-4569**

**Craftsman Customer Help Line**

Sears Brands Management Corporation, Hoffman Estates, IL 60179 U.S.A.  
Visit our Craftsman website: [www.craftsman.com](http://www.craftsman.com)

\* The power rating as declared by the engine manufacturer is the average gross power output at the specified RPM of a typical production engine for the engine model measured using SAE Standards for engine gross power. Please refer to the engine manufacturer for details.

**WARNING:** This tractor is equipped with an internal combustion engine and should not be used on or near any unimproved forest-covered, brush-covered or grass-covered land unless the engine's exhaust system is equipped with a spark arrester meeting applicable local or state laws (if any). If a spark arrester is used, it should be maintained in effective working order by the operator.

In the state of California the above is required by law (Section 4442 of the California Public Resources Code). Other states may have similar laws. Federal laws apply on federal lands. A spark arrester for the muffler is available through your nearest Sears service center (See ENGINE ASSEMBLY section of this manual).

## REPAIR PROTECTION AGREEMENTS

Congratulations on making a smart purchase. Your new Craftsman® product is designed and manufactured for years of dependable operation. But like all products, it may require repair from time to time. That's when having a Repair Protection Agreement can save you money and aggravation.

*Purchase a Repair Protection Agreement now and protect yourself from unexpected hassle and expense.*

Here's what's included in the Agreement:

- **Expert service** by our 12,000 professional repair specialists.
- **Unlimited service and no charge** for parts and labor on all covered repairs.
- **Product replacement** if your covered product can't be fixed.
- **Discount of 25%** from regular price of service and service-related parts not covered by the agreement; also, 25% off regular price of preventive maintenance check.
- **Fast help by phone** – phone support from a Sears representative on products requiring in-home repair, plus convenient repair scheduling.

Once you purchase the Agreement, a simple phone call is all that it takes for you to schedule service. You can call anytime day or night, or schedule a service appointment online.

Sears has over 12,000 professional repair specialists, who have access to over 4.5 million quality parts and accessories. That's the kind of professionalism you can count on to help prolong the life of your new purchase for years to come. Purchase your Repair Protection Agreement today!

**Some limitations and exclusions apply.**

**For prices and additional information call 1-800-827-6655.**

## SEARS INSTALLATION SERVICE

*For Sears professional installation of home appliances, garage door openers, water heaters, and other major home items, in the U.S.A. call 1-800-4-MY-HOME®.*

## TRACTOR - - MODEL NUMBER 917.203801

### BRIGGS & STRATTON ENGINE-MODEL NUMBER 33R877, TYPE NUMBER 0002-G1

| KEY NO. | PART NO. | DESCRIPTION  | KEY NO.                 | PART NO. | DESCRIPTION  |
|---------|----------|--|-------------------------|----------|--|
| 614     | 691620   | Pin-Cotter (Governor Crank)  | 1044                    | 698139   | Screw (Flywheel)                                       |
| 616     | 692012   | Crank-Governor   | 1051                    | 691265   | Ring-Retaining   |
| 617     | 692138   | Seal-O Ring (Intake Manifold) (Red)                                    | 1058                    | 277675   | Operator's Manual                                      |
| 633     | 699813   | Seal-Choke/Throttle (Choke Shaft)                                      | 1059                    | 698516   | Kit-Screw/Washer (Alternator)                          |
| 634     | 698779   | Spring/Seal Assembly   | 1090                    | 691293   | Retainer-Brush   |
| 635     | 691909   | Boot-Spark Plug  | 1091                    | 691333   | Cap-Limiter  |
| 654     | 690958   | Nut (Carburetor)   | 1095                    | 794152   | Gasket Set-Valve                                       |
| 684     | 697157   | Screw (Breather Passage Cover)   | 1119                    | 691183   | Screw (Alternator)                                     |
| 691     | 692407   | Seal-Governor Shaft  | 1127                    | 695407   | Screw (Float Bowl)                                     |
| 697     | 791680   | Screw (Drive Cap)  | 1139                    | 796449   | Washer (Fuel Pump)                                     |
| 718     | 690959   | Pin-Locating   | 1263                    | 697124   | Reed-Breather  |
| 729     | 691224   | Clip-Wire  | 1264                    | 697104   | Screw (Breather Reed)                                  |
| 741     | 697128   | Gear-Timing  | 1265                    | 794151   | Support-Blower Housing                                 |
| 750     | 790832   | Screw (Oil Pump Cover)   | 1266                    | 691917   | Seal-O Ring (Intake Elbow) (Red)                       |
| 757     | 793242   | Link-Counterweight   | 1270                    | 793243   | Plug-AVS Counterweight                                 |
| 758     | 793763   | Counterweight  | 1279                    | 691108   | Screw (Blower Housing Support)                         |
| 759     | 697392   | Pin-Counterweight  | 1329                    | N/A      | Replacement Engine<br>(Not Available at this Printing) |
| 773     | 796448   | Retainer (Fuel Pump)   | 1330                    | N/A      | Repair Manual<br>(Not Available at this Printing)      |
| 783     | 693713   | Gear-Pinion  | 1332                    | 591991   | Washer (Rotating Screen)                               |
| 789     | 698329   | Harness-Wiring   |                         |          |  |
| 797     | 693167   | Nut (Brush Retainer)   |                         |          |  |
| 801     | 691283   | Cap-Drive  |                         |          |  |
| 802     | 691286   | Cap-End  |                         |          |  |
| 830     | 691095   | Stud-Rocker Arm  |                         |          |  |
| 842     | 691031   | Seal-O Ring (Dipstick)   |                         |          |  |
| 847     | 790442   | Dipstick/Tube Assembly   | Carburetor Overhaul Kit |          | Key No. 121  |
| 850     | 100106   | Sealant-Liquid   | Engine Gasket Set       |          | Key No. 358  |
| 851     | 692424   | Terminal-Spark Plug  | Valve Gasket Set        |          | Key No. 1095   |
| 868     | 690968   | Seal-Valve   |                         |          |  |
| 877     | 790544   | Wire/Connector-Alternator  |                         |          |  |
| 883     | 692236   | Gasket-Exhaust   |                         |          |  |
| 914     | 691108   | Screw (Rocker Cover)   |                         |          |  |
| 918     | 791744   | Hose-Vacuum<br>(Cut to Required Length)                                |                         |          |  |
| 943     | 690589   | Seal-O Ring (Oil Pump Cover)   |                         |          |  |
| 947     | 699915   | Solenoid-Fuel  |                         |          |  |
| 964     | 799159   | Cap-Connector  |                         |          |  |
| 965     | 499613   | Cover-Oil Pump   |                         |          |  |
| 967     | 793685   | Filter-Pre Cleaner   |                         |          |  |
| 968     | 591644   | Cover-Air Cleaner  |                         |          |  |
| 975     | 699502   | Bowl-Fuel  |                         |          |  |
| 987     | 698777   | Seal-Throttle Shaft  |                         |          |  |
| 1005    | 796084   | Fan-Flywheel   |                         |          |  |
| 1017    | 796981   | Screen-Oil Pump  |                         |          |  |
| 1022    | 272475s  | Gasket-Rocker Cover  |                         |          |  |
| 1023    | 797421   | Cover-Rocker   |                         |          |  |
| 1024    | 794644   | Pump-Oil   |                         |          |  |
| 1026    | 692003   | Rod-Push (Intake) (Aluminum)   |                         |          |  |
|         | 692011   | Rod-Push (Exhaust) (Steel)   |                         |          |  |
| 1027    | 795890   | Filter-Oil   |                         |          |  |
| 1029    | 691751   | Arm-Rocker   |                         |          |  |
| 1034    | 690822   | Guide-Push Rod   |                         |          |  |
| 1036    |          | Label-Emissions (Available from a Briggs & Stratton Authorized Dealer) |                         |          |  |
| 1040    | 698368   | Plate-Trim   |                         |          |  |

**NOTE:** All component dimensions given in U.S. inches 1 inch = 25.4 mm

TRACTOR - - MODEL NUMBER 917.203801

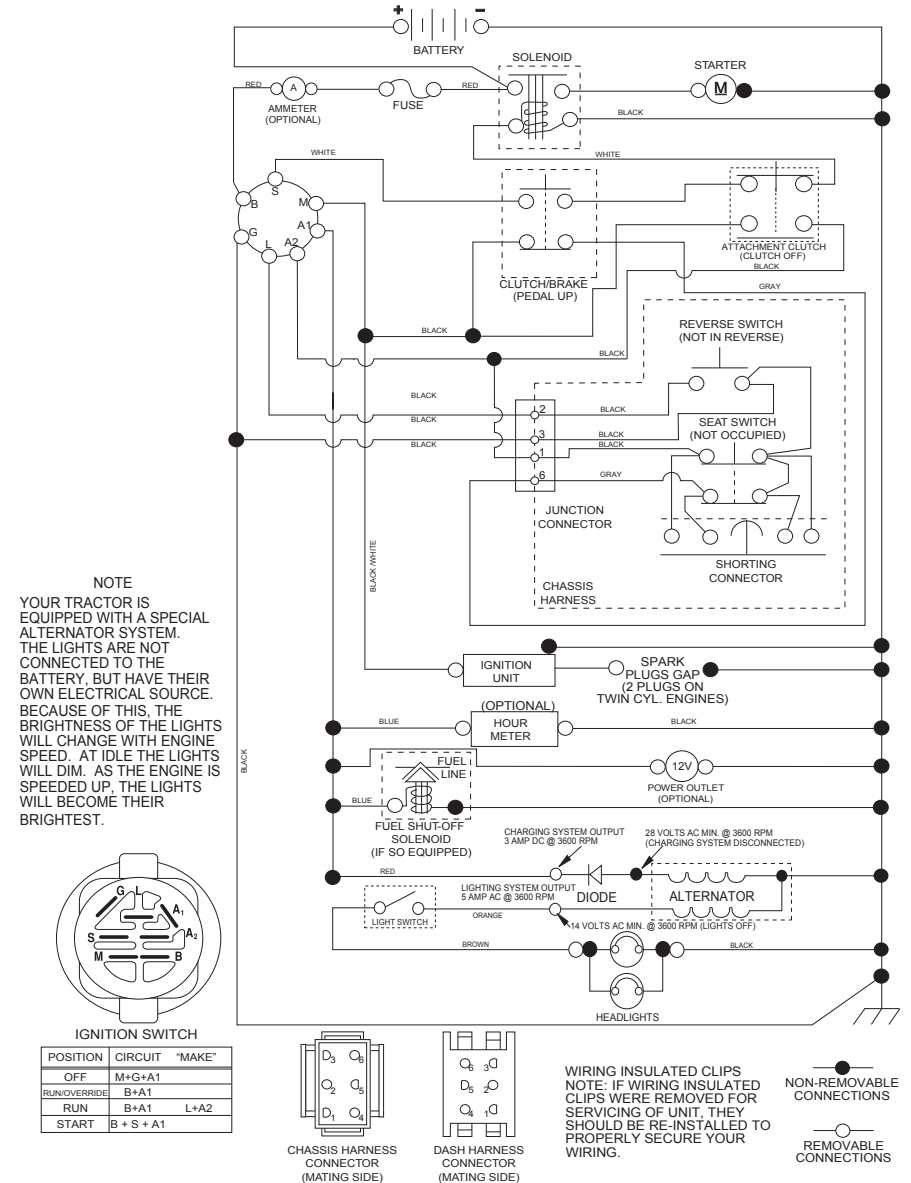
BRIGGS & STRATTON ENGINE-MODEL NUMBER 33R877, TYPE NUMBER 0002-G1

| KEY NO. | PART NO. | DESCRIPTION                      | KEY NO. | PART NO. | DESCRIPTION                        |
|---------|----------|----------------------------------|---------|----------|------------------------------------|
| 1       | 591465   | Cylinder Assembly                | 141     | 792777   | Kit-Choke Shaft                    |
| 3       | 391086s  | Seal-Oil (Magneto Side)          | 187     | 791805   | Line-Fuel (Formed)                 |
| 4       | 592849   | Sump-Engine                      | 187A    | 791766   | Line-Fuel (Cut to Required Length) |
| 5       | 591750   | Head-Cylinder                    | 188     | 691693   | Screw (Control Bracket)            |
| 7       | 794114   | Gasket-Cylinder Head             | 192     | 691986   | Adjuster-Rocker Arm                |
| 9       | 697109   | Gasket-Breather                  | 202     | 691841   | Link-Mechanical Governor           |
| 11      | 794683   | Tube-Breather                    | 209     | 796260   | Spring-Governor (Green)            |
| 12      | 697110   | Gasket-Crankcase                 | 216     | 691840   | Link-Choke                         |
| 13      | 592244   | Screw (Cylinder Head)            | 217     | 695409   | Spring-Choke Return                |
| 15      | 690946   | Plug-Oil Drain                   | 222     | 694042   | Bracket-Control                    |
| 16      | 591763   | Crankshaft                       | 227     | 691374   | Lever-Governor Control             |
| 20      | 795387   | Seal-Oil (PTO Side)              | 232     | 691842   | Spring-Governor Link               |
| 22      | 692125   | Screw (Crankcase Cover/Sump)     | 238     | 691843   | Cap-Valve                          |
| 23      | 591759   | Flywheel                         | 240     | 691035   | Filter-Fuel                        |
| 24      | 591757   | Key-Flywheel (Steel)             | 265     | 691024   | Clamp-Casing                       |
| 25      | 95858    | Piston Assembly (Standard)       | 267     | 794904   | Screw (Casing Clamp)               |
|         | 795877   | Piston Assembly (.020" Oversize) | 276     | 695410   | Washer-Sealing                     |
| 26      | 794126   | Ring Set (Standard)              | 304     | 592814   | Housing-Blower                     |
|         | 794127   | Ring Set (.020" Oversize)        | 305     | 697102   | Screw (Blower Housing)             |
| 27      | 698469   | Lock-Piston Pin                  |         |          | (1/4-20x1.21)                      |
| 28      | 795861   | Pin-Piston                       | 305A    | 793376   | Screw (Blower Housing)             |
| 29      | 794571   | Rod-Connecting                   |         |          | (1/4-20x.68)                       |
| 32      | 791118   | Screw (Connecting Rod)           | 305B    | 795891   | Screw (Blower Housing to Intake    |
| 33      | 591752   | Valve-Exhaust                    |         |          | Elbow) (#10-16x.43)                |
| 34      | 591751   | Valve-Intake                     | 305C    | 799370   | Screw (Blower Housing)             |
| 35      | 691279   | Spring-Valve (Intake)            |         |          | (1/4-20x.90)                       |
| 36      | 691279   | Spring-Valve (Exhaust)           | 306     | 794953   | Shield-Cylinder                    |
| 37      | 699882   | Guard-Flywheel                   | 307     | 691693   | Screw (Cylinder Shield)            |
| 42      | 499586   | Keeper-Valve                     | 309     | 693551   | Motor-Starter                      |
| 43      | 691968   | Slinger-Governor/Oil             | 310     | 690323   | Screw (Starter Motor)              |
| 45      | 690564   | Tappet-Valve                     | 311     | 497608   | Brush Set                          |
| 46      | 793880   | Camshaft                         | 324     | 796309   | Screen/Cup Assembly                |
| 48      | N/A      | Short Block                      | 333     | 799650   | Armature-Magneto                   |
|         |          | (Not Available at this Printing) | 334     | 691061   | Screw (Magneto Armature)           |
| 50      | 592842   | Manifold-Intake                  | 337     | 491055s  | Plug-Spark                         |
| 51      | 692137   | Gasket-Intake                    | 358     | 796187   | Gasket Set-Engine                  |
| 51A     | 796081   | Gasket-Intake                    | 377     | 691639   | Key-Woodruff                       |
| 53      | 591260   | Stud (Carburetor)                | 404     | 691691   | Washer (Governor Crank)            |
| 54      | 691148   | Screw (Intake Manifold)          | 415     | 794129   | Plug (Cover/Retainer)              |
| 78      | 691693   | Screw (Flywheel Guard)           | 415A    | 794903   | Plug (Intake Manifold)             |
| 94      | 793610   | Kit-Idle Mixture                 | 431     | 799043   | Elbow-Intake                       |
| 95      | 690718   | Screw (Throttle Valve)           | 445     | 793569   | Filter-Air Cleaner Cartridge       |
| 98      | 695408   | Kit-Idle Speed                   | 462     | 691261   | Washer (Starter Cable)             |
| 104     | 694918   | Pin-Float Hinge                  | 474     | 592831   | Alternator                         |
| 105     | 696136   | Valve-Float Needle               | 503     | 691532   | Strap-Starter                      |
| 108     | 695419   | Valve-Choke                      | 505     | 691251   | Nut (Governor Control Lever)       |
| 117     | 796251   | Jet-Main (Standard)              | 510     | 693699   | Drive-Starter                      |
| 118     | 791406   | Jet-Main (High Altitude)         | 513     | 692024   | Clutch-Drive                       |
| 121     | 796184   | Kit-Carburetor Overhaul          | 523     | 699908   | Dipstick                           |
| 125     | 591736   | Carburetor                       | 524     | 691032   | Seal-Dipstick Tube                 |
| 127     | 690727   | Plug-Welch                       | 525     | 697184   | Tube-Dipstick                      |
| 130     | 792747   | Valve-Throttle                   | 552     | 697144   | Bushing-Governor Crank             |
| 131     | 792765   | Kit-Throttle Shaft               | 562     | 691119   | Screw (Governor Control Lever)     |
| 133     | 694914   | Float-Carburetor                 | 579     | 691029   | Nut (Starter Cable)                |
| 135     | 698780   | Tube-Fuel Transfer               | 584     | 794682   | Cover-Breather Passage             |
| 137     | 698781   | Gasket-Float Bowl                | 601     | 791850   | Hose-Clamp (Green)                 |

SCHEMATIC

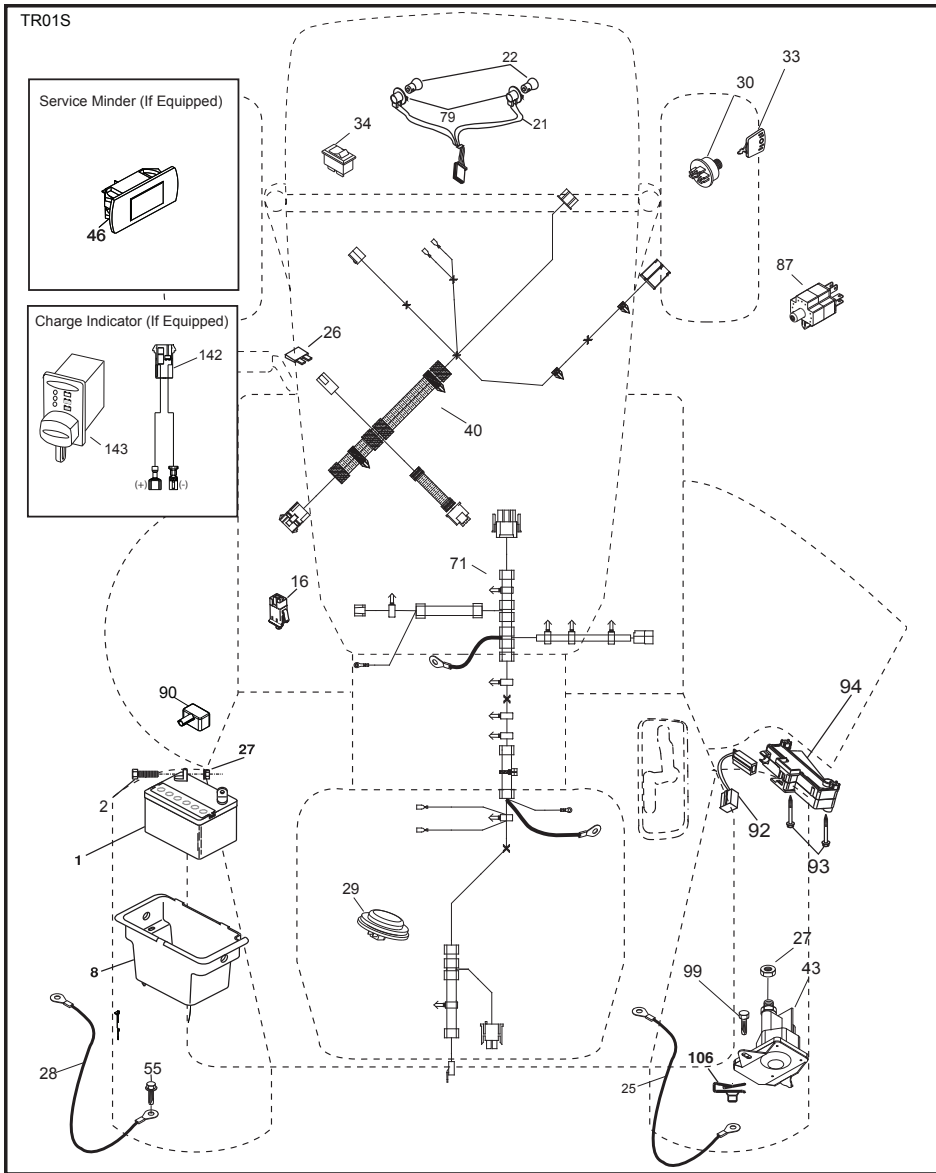
SCH11

TRACTOR - - MODEL NUMBER 917.203801



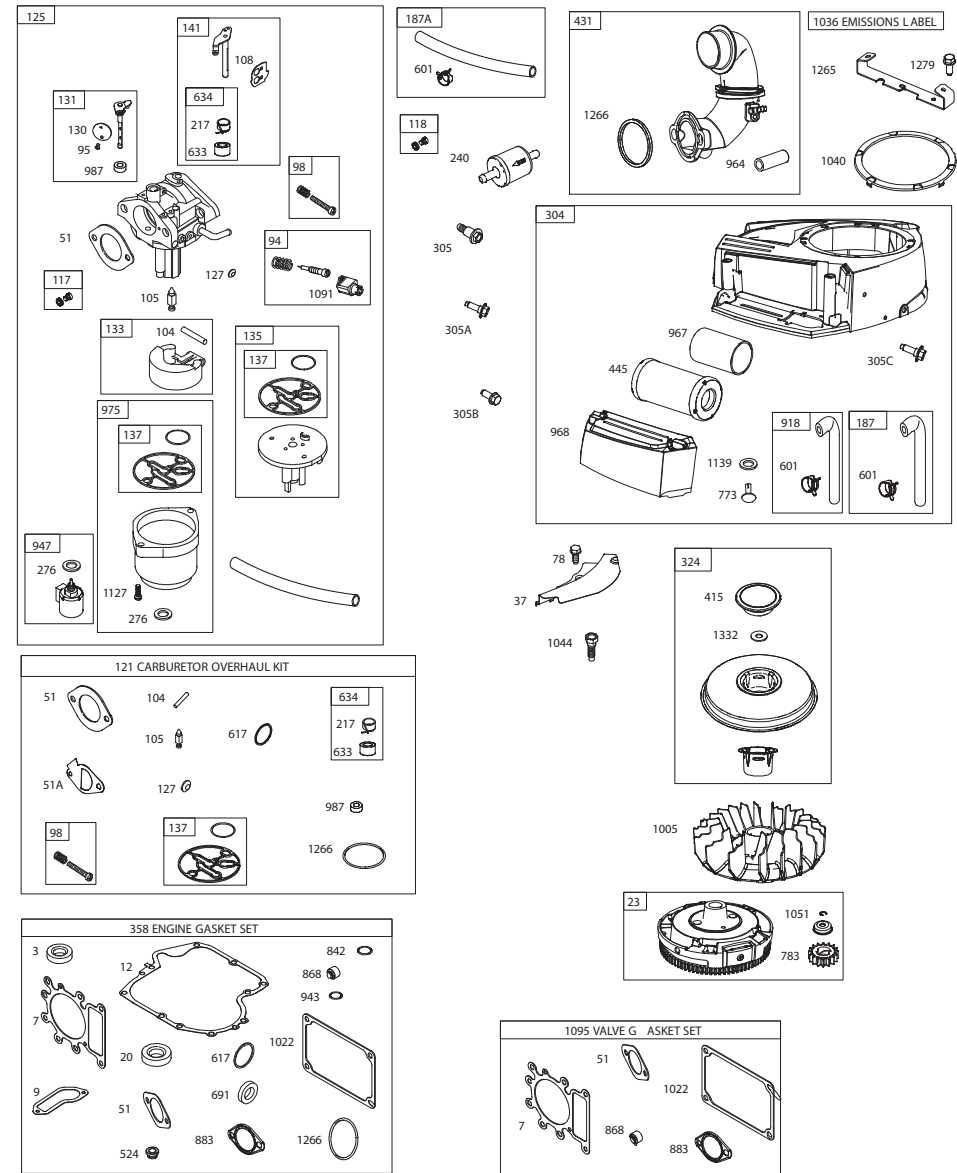
TRACTOR -- MODEL NUMBER 917.203801

ELECTRICAL



TRACTOR -- MODEL NUMBER 917.203801

BRIGGS & STRATTON ENGINE-MODEL NUMBER 33R877, TYPE NUMBER 0002-G1

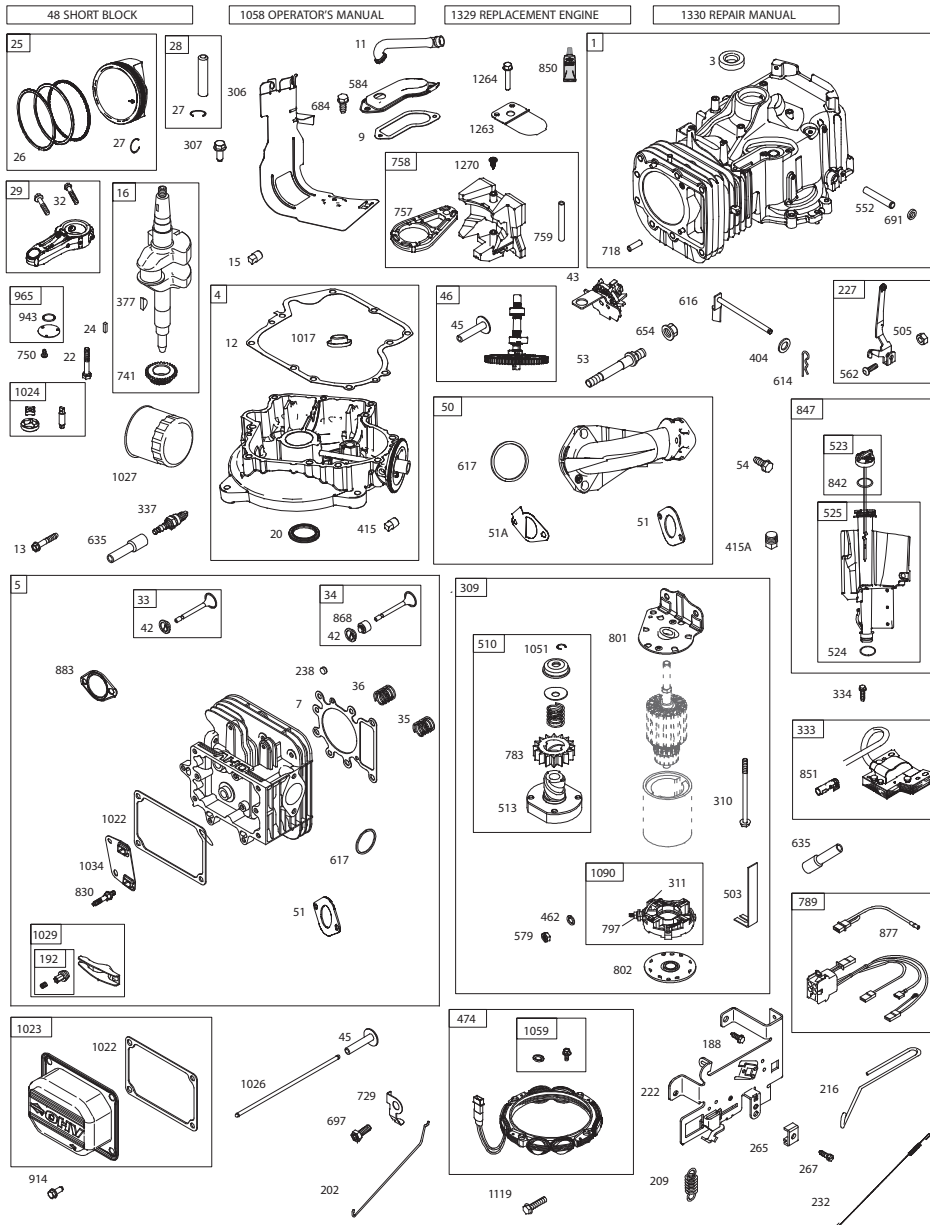


TRACTOR - - MODEL NUMBER 917.203801

BRIGGS & STRATTON ENGINE-MODEL NUMBER 33R877, TYPE NUMBER 0002-G1

ELECTRICAL

TRACTOR - - MODEL NUMBER 917.203801

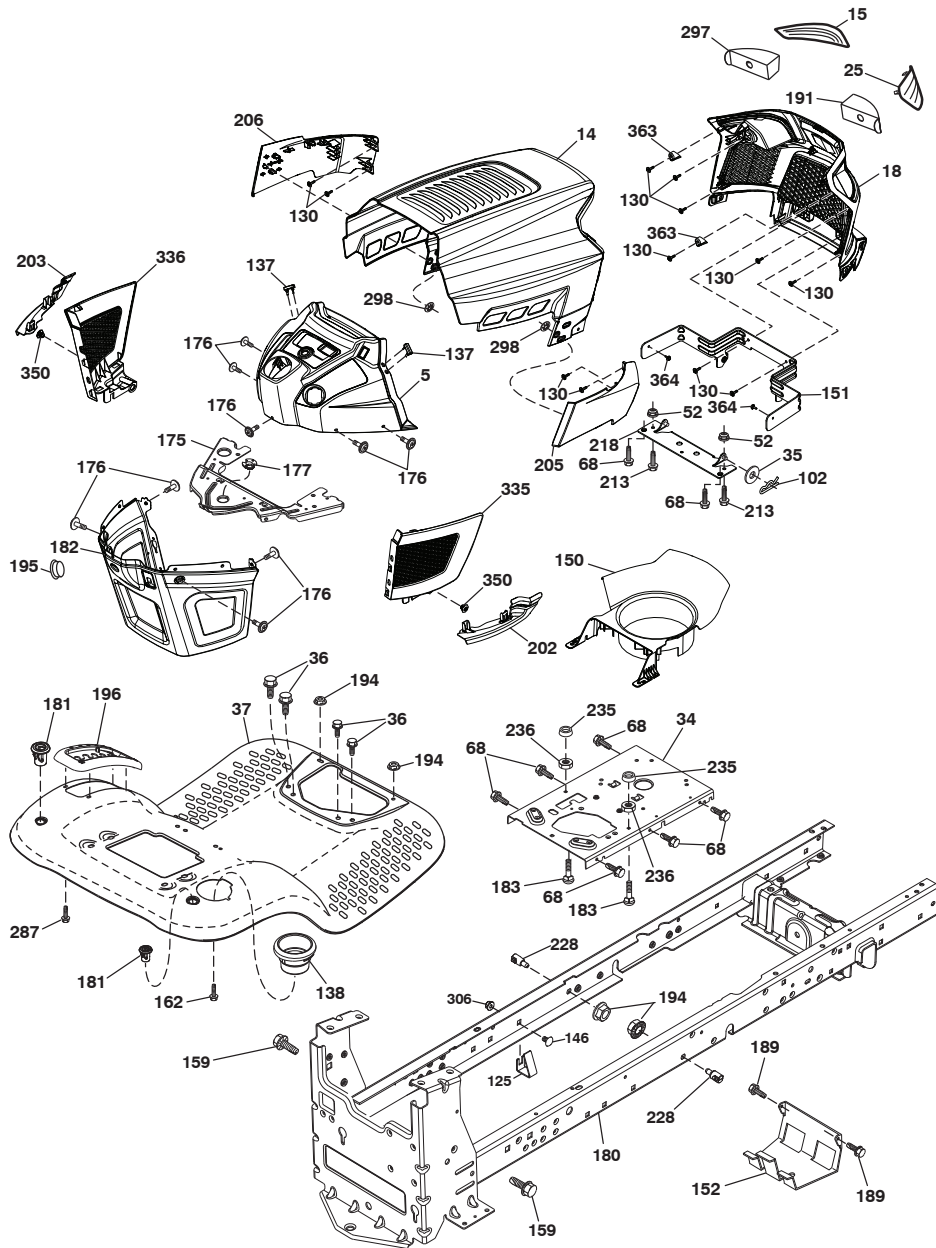


| KEY PART NO. | NO.       | DESCRIPTION                     |
|--------------|-----------|---------------------------------|
| 1            | 163465    | Battery                         |
| 2            | 74760412  | Bolt Hex Hd 1/4-20 unc x 3/4    |
| 8            | 193228    | Box Battery                     |
| 16           | 176138    | Switch Interlock Push-In        |
| 21           | 400252    | Harness Socket Light w/4152J    |
| 22           | 4152J     | Bulb Light                      |
| 25           | 581498001 | Cable Starter                   |
| 26           | 175158    | Fuse                            |
| 27           | 73510400  | Nut Keps Hex 1/4-20 unc         |
| 28           | 421686    | Cable, Ground                   |
| 29           | 401545    | Switch, Seat                    |
| 30           | 193350    | Switch, Ign                     |
| 33           | 411932    | Key/Chain                       |
| 34           | 110712X   | Switch Light / Reset            |
| 40           | 581023101 | Harness Ign. Dash               |
| 43           | 192507    | Solenoid                        |
| 55           | 17060512  | Screw Thdrol 5/16-18 x 3/4 TYTT |
| 71           | 501133701 | Harness Ign. Chassis            |
| 79           | 175242    | Bulbholder Asm. Incan Descent   |
| 87           | 197802    | Switch Interlock Clutch Cable   |
| 90           | 435395    | Cover Terminal Battery          |
| 92           | 196615    | Harness Pigtail Reverse Switch  |
| 93           | 192540    | Screw Plastite 10 - 14 x 2 00   |
| 94           | 191834    | Module Reverse ROS              |
| 99           | 17670412  | Screw                           |
| 106          | 174814    | Palnut                          |

NOTE: All component dimensions given in U.S. inches  
1 inch = 25.4 mm



**TRACTOR -- MODEL NUMBER 917.203801**  
**CHASSIS ASSEMBLY**



chassis-tex\_TALON I\_19

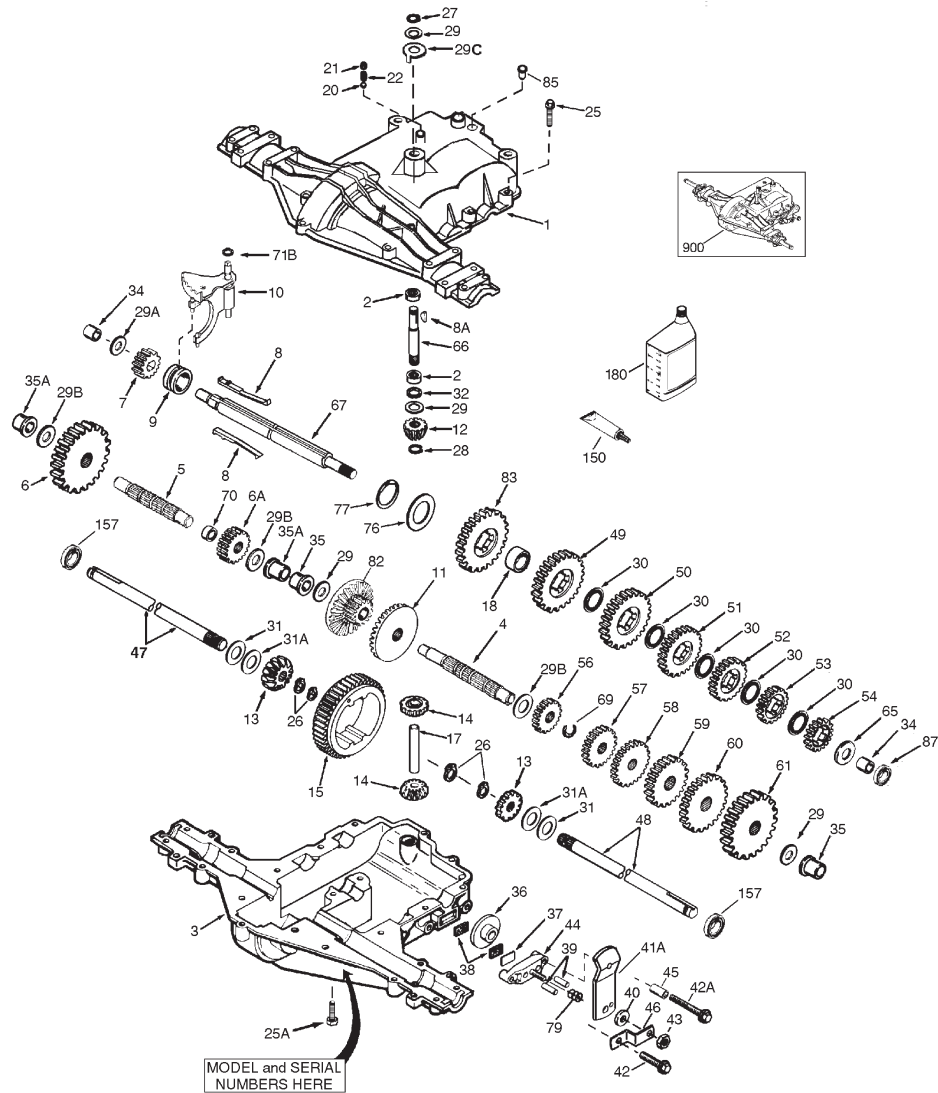
**TRACTOR -- MODEL NUMBER 917.203801**  
**PEERLESS TRANSAXLE - MODEL NUMBER 206-565**

| KEY PART NO. | NO.     | DESCRIPTION                                 | KEY PART NO. | NO.     | DESCRIPTION                        |
|--------------|---------|---|--------------|---------|------------------------------------|
| 1            | 772147  | Transaxle Cover                             | 41A          | 790058  | Brake Lever                        |
| 2            | 780086A | Needle Bearing 5/8"                         | 42           | 792073A | Screw 1/4-20 x 1-1/4"              |
| 3            | 770128  | Transaxle Case                              | 42A          | 792085A | Screw 1/4-20 x 2-1/4"              |
| 4            | 776395  | Countershaft                                | 43           | 792075  | Locknut 5/16-24                    |
| 5            | 776409  | Output Shaft                                | 44           | 790025  | Brake Pad Holder                   |
| 6            | 778364  | Spur Gear (38 teeth)                        | 45           | 786067  | Spacer .2625 x 1.0                 |
| 6A           | 778369  | Spur Gear (15 teeth)                        | 46           | 786086  | Brake Lever Bracket                |
| 7            | 778330  | Spur Gear (11 teeth)                        | 47           | 774690  | Axle (11-15/16" long)              |
| 8            | 792180  | Shift Key                                   | 48           | 774691  | Axle (16-1/2" long)                |
| 8A           | 792047  | Woodruff Key #9                             | 49           | 778356  | Spur Gear (29 teeth)               |
| 9            | 784352  | Shift Collar                                | 50           | 778338  | Spur Gear (27 teeth)               |
| 10           | 784378  | Shift Rod & Fork                            | 51           | 778354  | Spur Gear (23 teeth)               |
| 11           | 778334  | Bevel Gear (30 teeth)                       | 52           | 778313  | Spur Gear (19 teeth)               |
| 12           | 778309  | Input Bevel Pinion (13 teeth)               | 53           | 778350  | Spur Gear (16 teeth)               |
| 13           | 778368  | Bevel Gear (13 teeth) (Incl. 14)            | 54           | 778346  | Spur Gear (15 teeth)               |
| 14           | 778368  | Bevel Pinion (13 teeth) (Incl. 13)          | 56           | 778355  | Spur Gear (11 teeth)               |
| 15           | 778370  | Ring Gear (43 teeth)                        | 57           | 778351  | Spur Gear (21 teeth)               |
| 17           | 786188  | Drive Pin                                   | 60           | 778349  | Spur Gear (24 teeth)               |
| 18           | 786102  | Spacer 1.130 X .695                         | 61           | 778345  | Spur Gear (25 teeth)               |
| 20           | 792077A | Ball 5/16" dia                              | 65           | 780189  | Flat Washer .563 ID x .062W        |
| 21           | 792211  | Cap Screw 3/8-16 x 3/8"                     | 66           | 776422  | Input Shaft                        |
| 22           | 792079  | Spring .310 OD x .625 L                     | 67           | 776396  | Shifter & Brake Shaft              |
| 25           | 792073A | Screw 1/4-20 x 1-1/4"                       | 69           | 792170  | Retaining Ring                     |
| 25A          | 792177  | Screw 1/4-20 x 1-3/8"                       | 70           | 786187  | Spacer .890                        |
| 26           | 792125  | Retaining Ring (pkg of 2)                   | 71B          | 788092  | "O" Ring                           |
| 27           | 792035  | Retaining Ring                              | 76           | 780090  | Flat Washer 1.128 ID x .058W       |
| 28           | 788040  | Retaining Ring                              | 77           | 788078A | Inverted Retaining Ring            |
| 29           | 780072  | Thrust Washer .627 ID x .031W               | 79           | 792144  | Spring .430 OD x .5000 L           |
| 29A          | 780160  | Thrust Washer .563 ID x .031W               | 82           | 778333  | Bevel & Spur Gear (30 & 13 teeth)  |
| 29B          | 780051  | Thrust Washer .762 ID x .031W               | 83           | 778338  | Spur Gear (27 teeth)               |
| 29C          | 780199  | Anti-Rotation Washer .632                   | 85           | 792154  | Oil Fill Plug                      |
| 30           | 780108  | Cup Washer 1.127 ID x .032W                 | 87           | 788089A | Oil Seal 9/16"                     |
| 31           | 780001  | Flat Washer .750 ID x .056W (Use As Needed) | 150          | 788093A | Liquid Gasket RTV Silicone         |
| 31A          | 780195  | Flat Washer .750 ID x .062W                 | 157          | 788088A | Oil Seal 3/4"                      |
| 32           | 788083  | Oil Seal 5/8"                               | 180          | 730229A | Gear Oil 80W90                     |
| 34           | 780194  | Bushing .563                                | 900          | 794837  | Replacement MST-206-545C Transaxle |
| 35           | 780193  | Flanged Bushing 5/8" ID                     |              |         |                                    |
| 35A          | 780197  | Flanged Bushing .751                        |              |         |                                    |
| 36           | 790075  | Brake Disk                                  |              |         |                                    |
| 37           | 790007  | Brake Pad Plate                             |              |         |                                    |
| 38           | 799021  | Brake Pad (pkg of 2)                        |              |         |                                    |
| 39           | 786026  | Dowel Pin                                   |              |         |                                    |
| 40           | 792076A | Flat Washer .312 ID x .059W                 |              |         |                                    |

**NOTE:** All component dimensions given in U.S. inches  
 1 inch = 25.4 mm

TRACTOR - - MODEL NUMBER 917.203801

PEERLESS TRANSAXLE - MODEL NUMBER 206-565

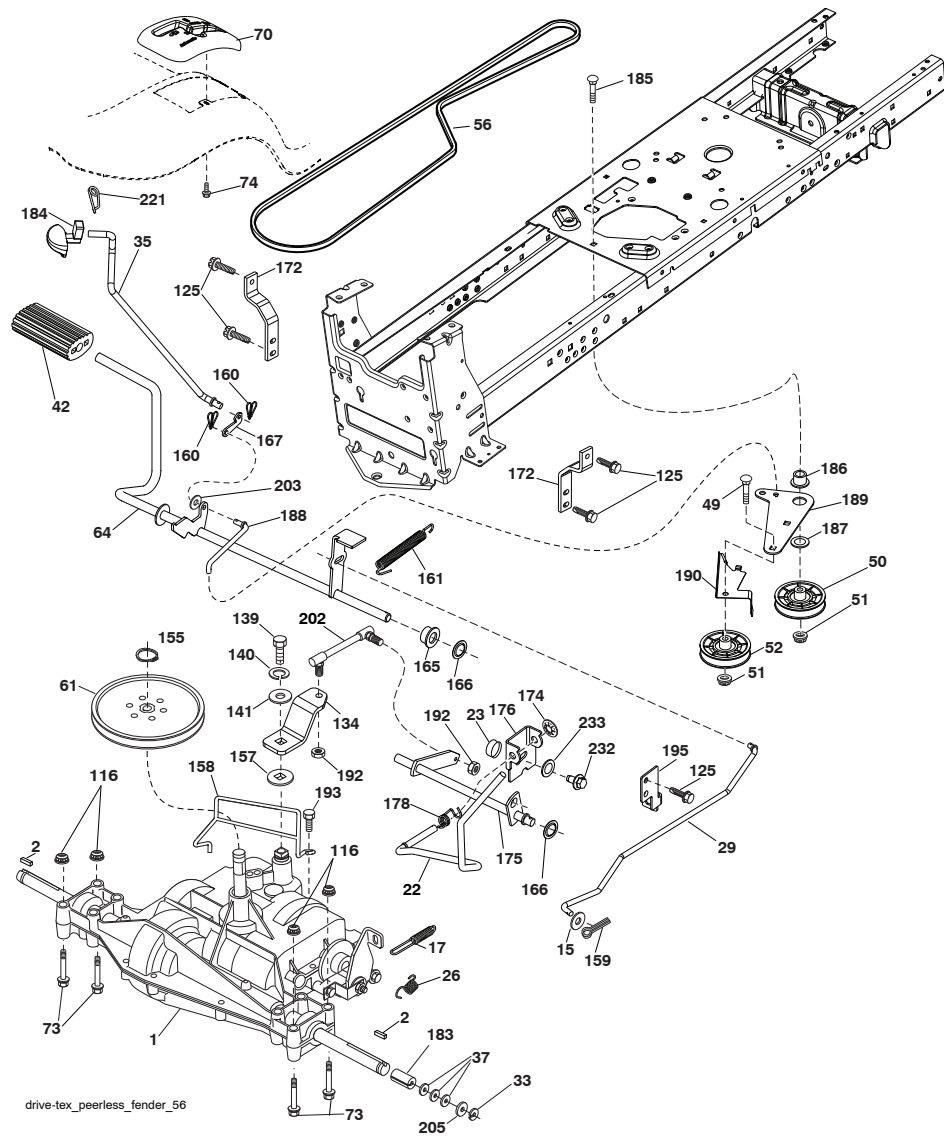


TRACTOR - - MODEL NUMBER 917.203801  
CHASSIS ASSEMBLY

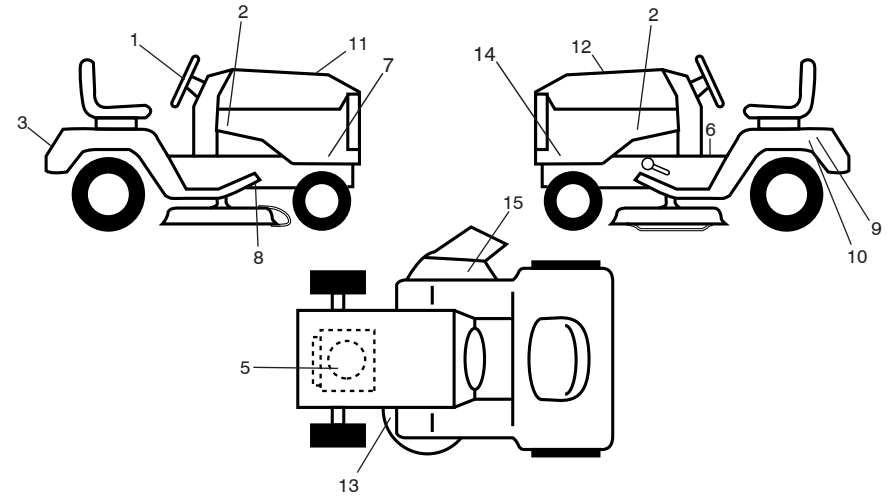
| KEY PART NO. | NO.        | DESCRIPTION                        |
|--------------|------------|------------------------------------|
| 5            | 580485903  | Dash                               |
| 14           | 580354403  | Hood                               |
| 15           | 580485601  | Lens LH                            |
| 18           | 580485302  | Grille                             |
| 25           | 580484501  | Lens RH                            |
| 34           | 580910801  | Plate engine                       |
| 35           | 191111116  | Washer 11/32 x 11/16 x 16 Ga.      |
| 36           | 17060512   | Screw 5/16-18 x 3/4                |
| 37           | 414872X615 | Fender                             |
| 52           | 73680500   | Nut Crown lock 5/16-18             |
| 68           | 17490508   | Screw Thdrol 5/16-18 x 1/2         |
| 102          | 4497H      | Retainer Spring 1"                 |
| 125          | 581684801  | Clip Fuel Line                     |
| 130          | 416358     | Screw # 10 x .750 BOS Thread       |
| 137          | 407590     | Bumper Dash                        |
| 138          | 193224X428 | Cupholder                          |
| 146          | 581857901  | Bolt                               |
| 150          | 580485503  | Duct Heat Hood                     |
| 151          | 580663302  | Bracket Pivot                      |
| 152          | 199535     | Shield Browning/Debris             |
| 159          | 17000612   | Screw Hexwsh Thdrol 3/8-16 x 3/4   |
| 162          | 142432     | Screw Hex Wsh Hi-Lo 1/4 x 1/2      |
| 175          | 196304     | Crossmember                        |
| 176          | 400776     | Screw 10-24 x 5/8 Wshd Qdrx        |
| 177          | 195228     | Bushing Steering                   |
| 180          | 195457     | Chassis                            |
| 181          | 193102X428 | Bushing Mtg. Fender Crgo.          |
| 182          | 586738602  | Dash Lower                         |
| 183          | 74520520   | Bolt 5/16-18 x 1-1/4               |
| 189          | 17000512   | Screw 5/16-18 x 3/4                |
| 191          | 580485101  | Mylar Headlight/Reflective LensRH  |
| 194          | 73900500   | Nut Lock Hex Flange 5/16-18        |
| 195          | 401556X428 | Plug Hole Dash 12V Adapter         |
| 196          | 414579     | Console Asm. Deck Lift             |
| 202          | 580485001  | C-Closeout Lwr Trm RH              |
| 203          | 580484801  | C-Closeout Lwr Trm LH              |
| 205          | 580843706  | Assembly Corner RH                 |
| 206          | 580843806  | Assembly Corner LH                 |
| 213          | 74760512   | Bolt hex HD 5/16-18 unc x 3/4      |
| 218          | 580897301  | Pivot Hood Assy                    |
| 228          | 195161     | Stud Fastener                      |
| 235          | 406129     | Spacer Fender                      |
| 236          | 73930500   | Nut Center Lock 5/16-18            |
| 287          | 17600406   | Screw Hex Washhead 1/4-20 x 3/8    |
| 297          | 580484901  | Mylar Headlight/Reflective Lens LH |
| 298          | 580851001  | Nut Push                           |
| 306          | 73900600   | Nut Lock                           |
| 335          | 580484602  | C-Side Closeout RH                 |
| 336          | 580484402  | C-Side Closeout LH                 |
| 350          | 445143     | Clip X-Mass Tree                   |
| 363          | 580724501  | Cap Talon Grille                   |
| 364          | 17060408   | Screw                              |
| - - -        | 404951X428 | Plug Dash SRVMNDR                  |

NOTE: All component dimensions given in U.S. inches  
1 inch = 25.4 mm

**TRACTOR -- MODEL NUMBER 917.203801**  
**GROUND DRIVE**



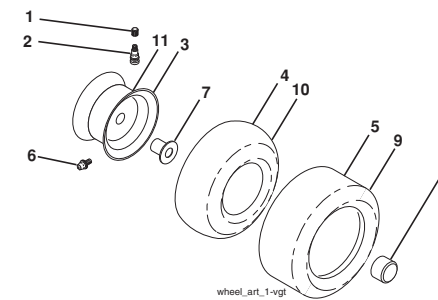
**TRACTOR -- MODEL NUMBER 917.203801**  
**DECALS**



| KEY PART NO. NO. | DESCRIPTION                     |
|------------------|---------------------------------|
| 1                | 581894601 Decal, Steering       |
| 2                | 585767601 Decal, Hood           |
| 3                | 587390201 Decal, Fender         |
| 5                | 582522301 Decal, Engine HP      |
| 6                | 581578801 Decal, Fender Warning |
| 7                | 586207301 Decal, Sideskirt RH   |
| 8                | 421534 Decal, V-Belt Schematic  |
| 9                | 434996 Decal, Battery Warning   |
| 10               | 434995 Decal, Battery           |
| 11               | 441312 Decal, Replacement       |

| KEY PART NO. NO. | DESCRIPTION                               |
|------------------|---|
| 12               | 585571401 Decal, Customer Maint.          |
| 13               | 581580001 Decal, Mower V-Belt SCH.        |
| 14               | 586207302 Decal, Sideskirt LH             |
| 15               | 584904601 Decal, Deck/Deflect Warning     |
| --               | 193226X428 Pad, Footrest LH               |
| --               | 193227X428 Pad, Footrest RH               |
| --               | 588806226 Manual, Operator's (Eng/Span)   |
| --               | 588806227 Manual, Repair Parts (Eng/Span) |
| --               | 588799624 Manual, QSG (Eng/Span)          |

**WHEELS & TIRES**



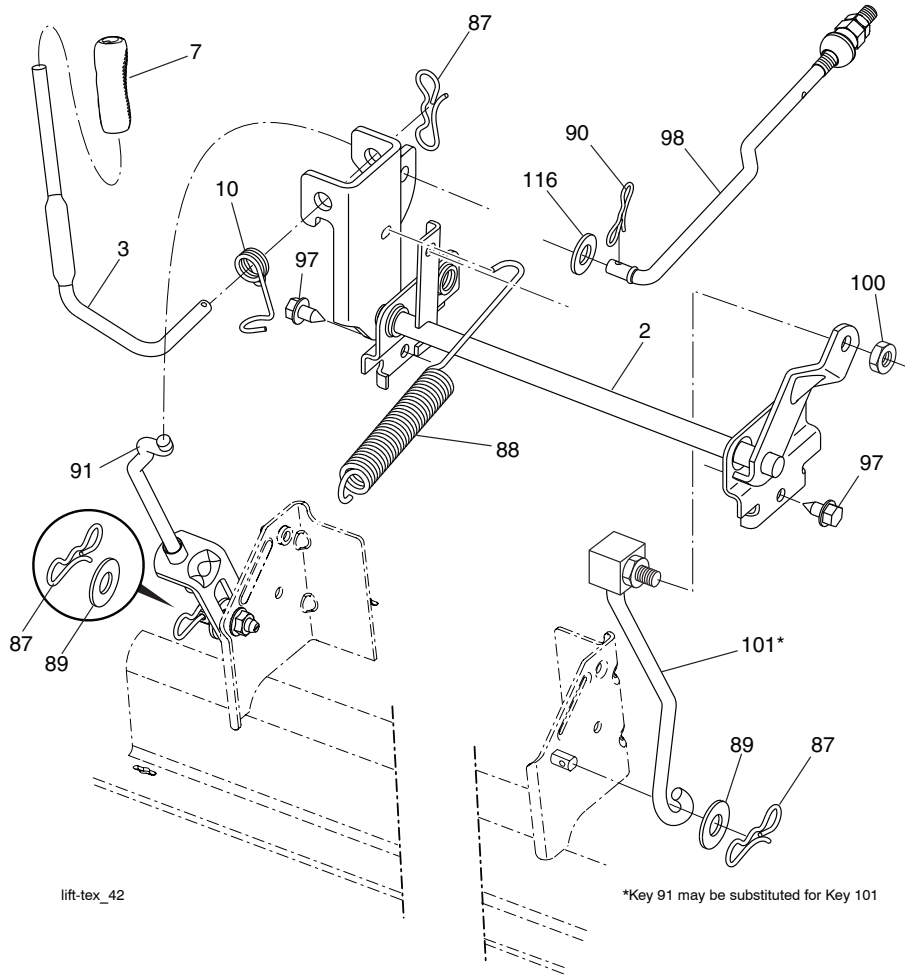
| KEY PART NO. NO. | DESCRIPTION                        |
|------------------|------------------------------------|
| 1                | 59192 Cap, Valve, Tire             |
| 2                | 65139 Stem, Valve                  |
| 3                | 106732X613 Rim Assembly, Front     |
| 4                | 59904 Tube, Front                  |
| 5                | 106222X Tire, Front 15 x 6-6       |
| 6                | 278H Fitting, Grease               |
| 7                | 9040H Bearing, Flange              |
| 8                | 104757X428 Cap, Axle               |
| 9                | 138468 Tire, Rear 20 x 8-8         |
| 10               | 7152J Tube, Rear                   |
| 11               | 106108X613 Rim Assembly, Rear      |
| --               | 144334 Sealant, Tire (10 oz. Tube) |

**NOTE:** All component dimensions given in U.S. inches  
 1 inch = 25.4 mm



TRACTOR - - MODEL NUMBER 917.203801

LIFT ASSEMBLY



lift-tex\_42

\*Key 91 may be substituted for Key 101

| KEY PART NO. NO. | DESCRIPTION                  |
|------------------|------------------------------|
| 2 422027         | Shaft Asm., Lift             |
| 3 195231         | Lever Asm., Lift RH          |
| 7 445060X428     | Grip, Lever                  |
| 10 196314        | Spring Torsion               |
| 87 194209        | Pin Cotter 7/16 Bow Tie Lock |
| 88 410710        | Spring Lift Assist           |
| 89 19191912      | Washer Clear Zinc            |
| 90 194208        | Pin Cotter 5/16 Bow Tie Lock |
| 91 195181        | Link Lift Susp Mower Rear    |

| KEY PART NO. NO. | DESCRIPTION                   |
|------------------|-------------------------------|
| 97 17000612      | Screw 3/8-16 x .75            |
| 98 195270        | Link Lift Susp. Front Mower   |
| 100 73930600     | Nut Centerlock 3/8-16 unc     |
| 101 407003       | Link Asm Lift FXD             |
| 116 19151516     | Washer 15/32 x 15/16 x 16 Ga. |

NOTE: All component dimensions given in U.S. inches  
1 inch = 25.4 mm

TRACTOR - - MODEL NUMBER 917.203801

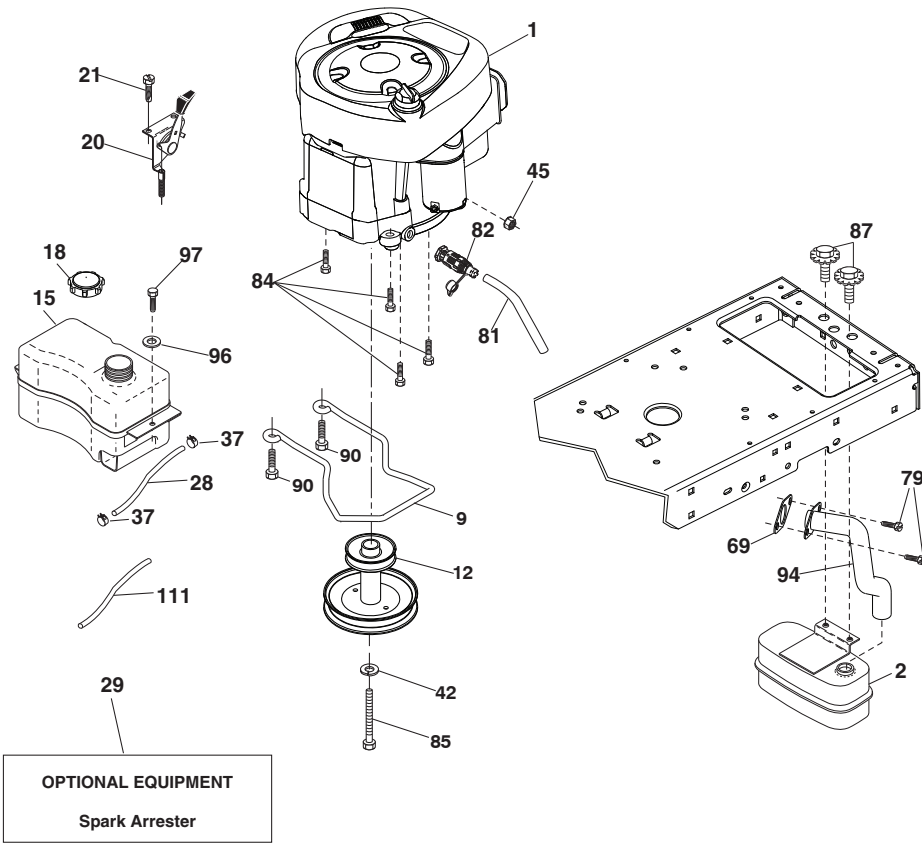
GROUND DRIVE

| KEY PART NO. NO. | DESCRIPTION   | KEY PART NO. NO. | DESCRIPTION                     |
|------------------|---|------------------|---------------------------------|
| 1 - - - -        | Transaxle, Peerless 206-565 (197941) (See transaxle breakdown.) | 158 194352       | Keeper T/A                      |
| 2 123583X        | Key Square  | 159 76020412     | Pin Cotter 1/8 x 3/4            |
| 15 19131316      | Washer 13/32 x 13/16 x 16 Ga.                                   | 160 169484       | Retainer Clip                   |
| 17 197297        | Spring, Brake   | 161 105709X      | Spring, Return, Clutch          |
| 22 197660        | Rod Shift   | 165 196212       | Busing Shaft Brake Hand Control |
| 23 1069333X      | Knob  | 166 429164       | Nut Push .625                   |
| 26 197455        | Spring Brake RTN  | 167 405257       | Latch Brake Parking             |
| 29 197267        | Rod, Brake  | 172 197657       | Strap Torque LH                 |
| 33 12000001      | Ring E  | 174 197289       | Nut Push                        |
| 35 583864501     | Rod, Brake, Park  | 175 196224       | Shaft Asm Shift                 |
| 37 121749X       | Washer 25/32 x 1-1/4 x 16 Ga.                                   | 176 196214       | Arm Clevis Rod Shift            |
| 42 8883R         | Cover, Foot Pedal   | 178 197456       | Spring Shift                    |
| 49 72110614      | Bolt  | 183 137057       | Spacer, Axle                    |
| 50 194327        | Pulley Idler Flat   | 184 196439X428   | Handle Parking Brake            |
| 51 73900600      | Lock Nut 3/8-16   | 185 72110622     | Bolt                            |
| 52 194326        | Idler V-Groove  | 186 194321       | Spacer Retainer                 |
| 56 194346        | V-Belt, Drive   | 187 19133210     | Washer                          |
| 61 123666X       | Pulley Transaxle  | 188 582217001    | Link Clutch Ground Drive, Long  |
| 64 196200        | Shaft Asm. Pedal Brake Control                                  | 189 194317       | Bellcrank Ground Drive          |
| 70 193225X428    | Console Shift   | 190 194318       | Keeper Bellcrank Ground Drive   |
| 73 74490540      | Bolt 5/16-18 Gr. 5  | 192 150360       | Nut Lock Center 1/4-28          |
| 74 142432        | Screw 1/4 x 1/2   | 193 17060512     | Screw 5/16-18 x 3/4             |
| 116 73900500     | Nut Lock Hex Flange 5/16-18                                     | 195 197332       | Bracket Brake Rod               |
| 125 17000512     | Screw 5/16-18 x 3/4   | 202 166231       | Link Shift                      |
| 134 197658       | Arm Shift   | 203 19111116     | Washer 11/32 x 11/16 x 16 Ga.   |
| 139 74550412     | Bolt 1/4-20 unfl Gr. 8 w/Patch                                  | 205 121748X      | Washer 25/32 x 1-5/8 x 16 Ga.   |
| 140 10040400     | Washer Lock Hvy Helical 1/4                                     | 221 403187       | Retainer Spring Clip Handle     |
| 141 19091210     | Washer 9/32 x 3/4 x 10 Ga.                                      | 232 74780716     | Bolt 7/16-14 x 1 Gr. 5          |
| 155 12000028     | Ring Retainer   | 233 405296       | Washer Serrated                 |
| 157 105701X      | Washer Plate Shf  |                  |                                 |

NOTE: All component dimensions given in U.S. inches  
1 inch = 25.4 mm

TRACTOR - - MODEL NUMBER 917.203801

ENGINE



engine-tex\_BS\_132

TRACTOR - - MODEL NUMBER 917.203801

MOWER DECK

KEY PART  
NO. NO.

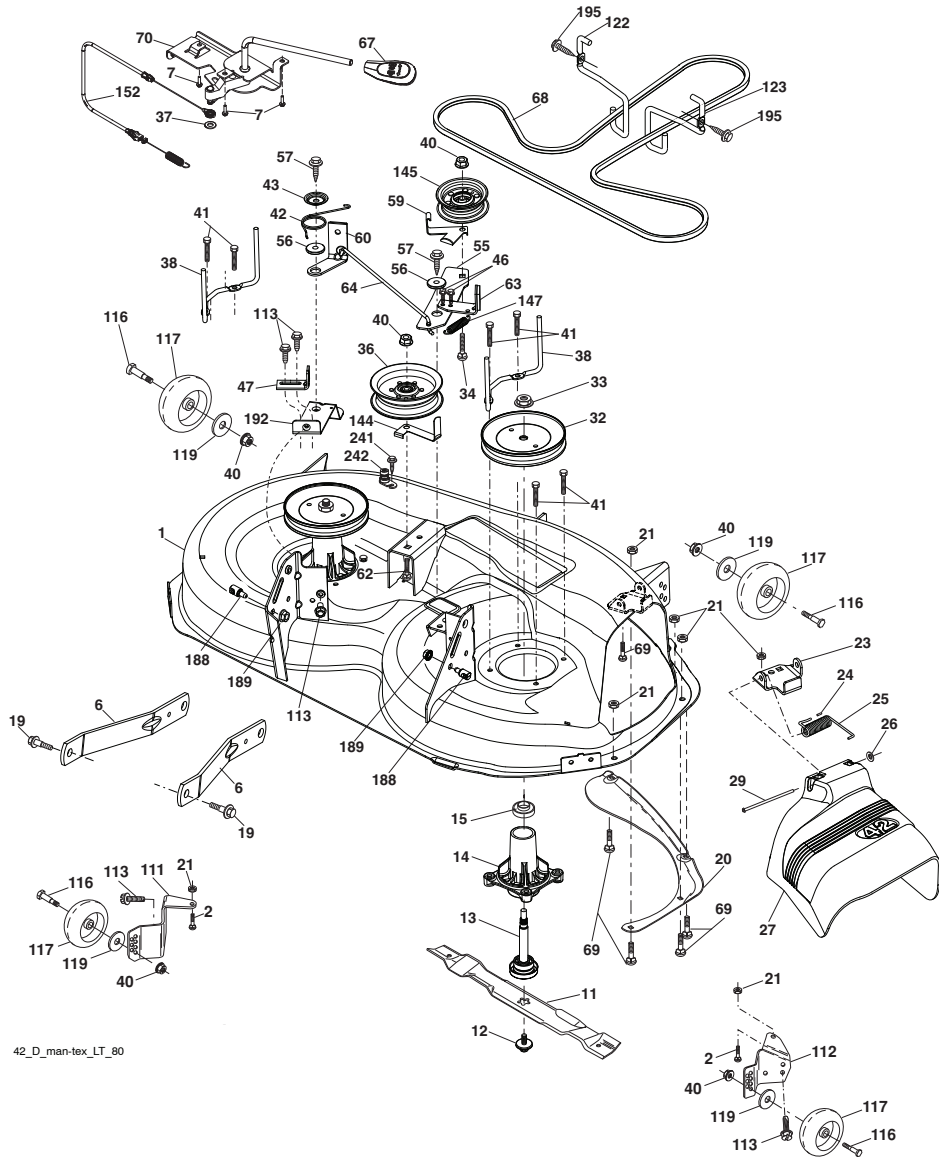
| NO. | NO.        | DESCRIPTION                        |
|-----|------------|------------------------------------|
| 1   | 196495X615 | Mower Housing                      |
| 2   | 72140506   | Bolt RDHD SQNK 5/16-18 unc x 3/4   |
| 6   | 195186     | Arm Suspension                     |
| 7   | 416358     | Screw #10 x 0.750                  |
| 11  | 424752     | Blade 42 SP 3N1                    |
| 12  | 584309301  | Screw Sems 7/16-20 x 1 Hex Head    |
| 13  | 587256501  | Shaft Assembly, Mandrel            |
| 14  | 187281     | Housing, Mandrel                   |
| 15  | 585323901  | Bearing, Mandrel                   |
| 19  | 196539     | Bolt, Shoulder                     |
| 20  | 159770     | Baffle Vortex                      |
| 21  | 73680500   | Nut, Crownlock 5/16-18 unc         |
| 23  | 192557     | Bracket, Deflector                 |
| 24  | 105304X    | Cap, Sleeve                        |
| 25  | 197026     | Spring, Torsion, Deflector         |
| 26  | 110452X    | Nut, Push                          |
| 27  | 424469     | Shield, Deflector                  |
| 29  | 131491     | Rod, Hinge                         |
| 32  | 197473     | Pulley, Mandrel                    |
| 33  | 400234     | Nut, Toplock, Flanged              |
| 34  | 72110612   | Bolt Carr Sh. 3/8-16 x 1-1/2 Gr. 5 |
| 36  | 197379     | Pulley, Idler, Flat                |
| 37  | 19131316   | Washer                             |
| 38  | 432520     | Keeper Belt LH Mandrel             |
| 40  | 73900600   | Nut, Lock Flg. 3/8-16 unc          |
| 41  | 584953901  | Bolt Hx Wsh Hd 3/13-18 x 1.19      |
| 42  | 198410     | Spring Torsion Brake               |
| 43  | 197256     | Spring Torsion Retainer            |
| 46  | 137729     | Screw 1/4-20 x 5/8                 |
| 47  | 197250     | Bracket Clutch Cable               |
| 55  | 437110     | Arm, Idler                         |
| 56  | 199092     | Spacer, Retainer                   |
| 57  | 17000616   | Screw 3/8-16 x 1                   |
| 59  | 141043     | Guard, Tuv Idler                   |
| 60  | 197261     | Arm Brake Mower                    |
| 62  | 72110616   | Bolt 3/8-16 unc x 2                |
| 63  | 199477     | Arm Brake Mower                    |
| 64  | 199790     | Link Brake                         |

KEY PART  
NO. NO.

| NO. | NO.        | DESCRIPTION   |
|-----|------------|---|
| 67  | 198398X667 | Handle Clutch Cable   |
| 68  | 429636     | Belt, Drive   |
| 69  | 72140505   | Bolt  |
| 70  | 199972     | Clutch Asm Manual   |
| 111 | 404784     | Bracket Wheel Gauge LH  |
| 112 | 404785     | Bracket Wheel Gauge RH  |
| 113 | 17000510   | Screw 5/16-18   |
| 116 | 4898H      | Bolt SHLD. "A" 2.41 "B" 1.66  |
| 117 | 188606     | Wheel Gauge   |
| 119 | 19121414   | Washer 3/8 x 7/8 x 14 Ga.   |
| 122 | 197258     | Keeper Belt Engine LH   |
| 123 | 197259     | Keeper Belt Engine RH   |
| 144 | 199204     | Keeper Belt   |
| 145 | 193197     | Pulley Idler  |
| 147 | 401971     | Spring Return   |
| 152 | 584243501  | Manual Clutch Cable   |
| 188 | 195161     | Stud Fastener   |
| 189 | 73900500   | Nut Lock Hex Flange   |
| 192 | 197260     | Bracket Brake Stand LH  |
| 195 | 17000612   | Screw 3/8-16 x 3/4  |
| 241 | 152927     | Screw   |
| 242 | 415598     | Washout Port  |
| --  | 416405     | Quick Connect Coupling  |
| --  | 587253301  | Mandrel Assembly (Includes housing (key #14), shaft assembly (key #13), and bearing only (key #15) - pulley/nut/washer and blade bolt/washers not included) |
| --  | 437732     | Replacement Mower, Complete   |

NOTE: All component dimensions given in U.S. inches  
1 inch = 25.4 mm

**MOWER DECK**  
**TRACTOR -- MODEL NUMBER 917.203801**



42\_D\_man-tex\_LT\_80

**ENGINE**  
**TRACTOR -- MODEL NUMBER 917.203801**

**KEY PART NO. NO.**

**DESCRIPTION**

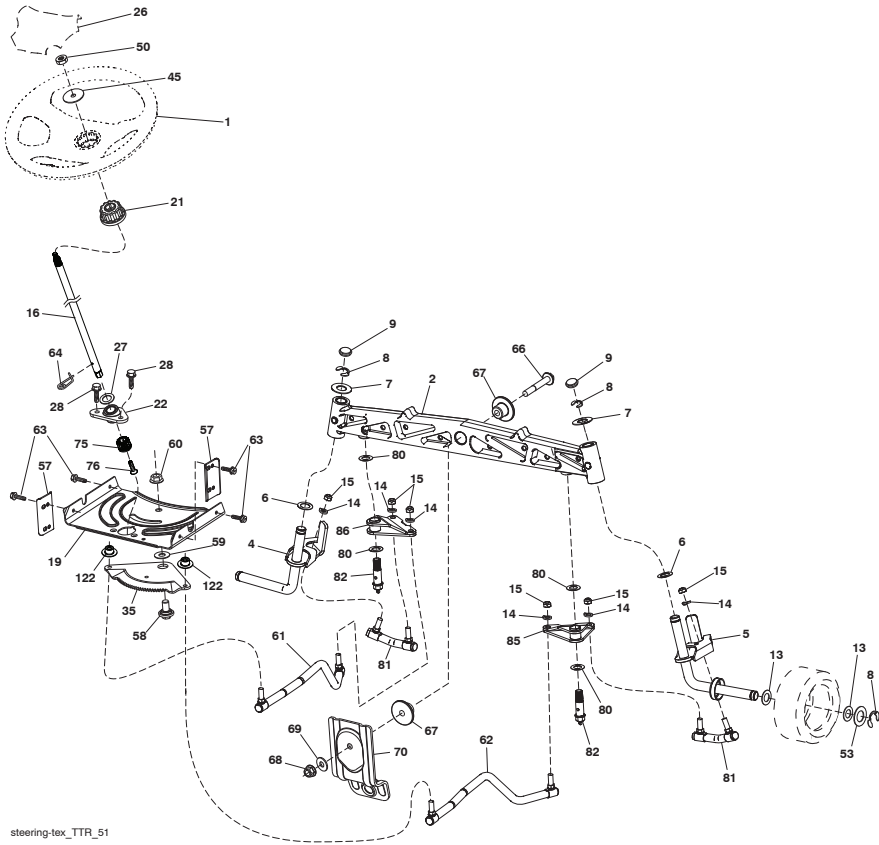
|     |            |   |
|-----|------------|---|
| 1   | ---        | Engine B&S Model No. 33R877-0002-G1 (585366801) (See engine breakdown.) |
| 2   | 446760     | Muffler   |
| 9   | 582540302  | Keeper Belt Engine  |
| 12  | 586729001  | Pulley Engine   |
| 15  | 433007     | Tank Fuel   |
| 18  | 581176101  | Cap Fuel  |
| 20  | 175438X428 | Control Throttle/Choke  |
| 21  | 416358     | Screw 10 x .750 BOS Thread  |
| 28  | 401137     | Fuel Line   |
| 29  | 137180     | Spark Arrester Kit  |
| 37  | 123487X    | Clamp Hose  |
| 42  | 10040700   | Washer Lock 7/16  |
| 45  | 73510400   | Nut Keps Hex 1/4-20 unc   |
| 69  | 165291     | Gasket  |
| 79  | 192334     | Screw 5/16-18 x .75   |
| 81  | 148456     | Tube Drain Oil Easy   |
| 82  | 428287     | Valve Oil Drain   |
| 84  | 17060620   | Screw 3/8-16 x 1-1/4  |
| 85  | 173937     | Bolt Hex 7/16-20 x 4 x Gr. 5-1.5  |
| 87  | 171877     | Bolt 5/16-18 x 3/4  |
| 90  | 17000616   | Screw 3/8-16 x 1.0  |
| 94  | 581880901  | Exhaust Tube  |
| 96  | 19091416   | Washer 9/32 x 7/8 x 16 Ga.  |
| 97  | 17670412   | Screw 1/4-20 x 3/4  |
| 111 | 414119     | Purge Line Carb 3/16  |

**NOTE:** All component dimensions given in U.S. inches  
 1 inch = 25.4 mm

**Engine Power Rating Information**

The gross power rating for individual gas engine models is labeled in accordance with SAE (Society of Automotive Engineers) code J1940 (Small Engine Power & Torque Rating Procedure), and rating performance has been obtained and corrected in accordance with SAE J1995 (Revision 2002-05). Torque values are derived at 3060 RPM; horsepower values are derived at 3600 RPM. Actual gross engine power will be lower and is affected by, among other things, ambient operating conditions and engine-to-engine variability. Given both the wide array of products on which engines are placed and the variety of environmental issues applicable to operating the equipment, the gas engine will not develop the rated gross power when used in a given piece of power equipment (actual "on-site" or net power). This difference is due to a variety of factors including, but not limited to, accessories (air cleaner, exhaust, charging, cooling, carburetor, fuel pump, etc.), application limitations, ambient operating conditions (temperature, humidity, altitude), and engine-to-engine variability. Due to manufacturing and capacity limitations, Briggs & Stratton may substitute an engine of higher rated power for this Series engine.

**TRACTOR - - MODEL NUMBER 917.203801**  
**STEERING ASSEMBLY**



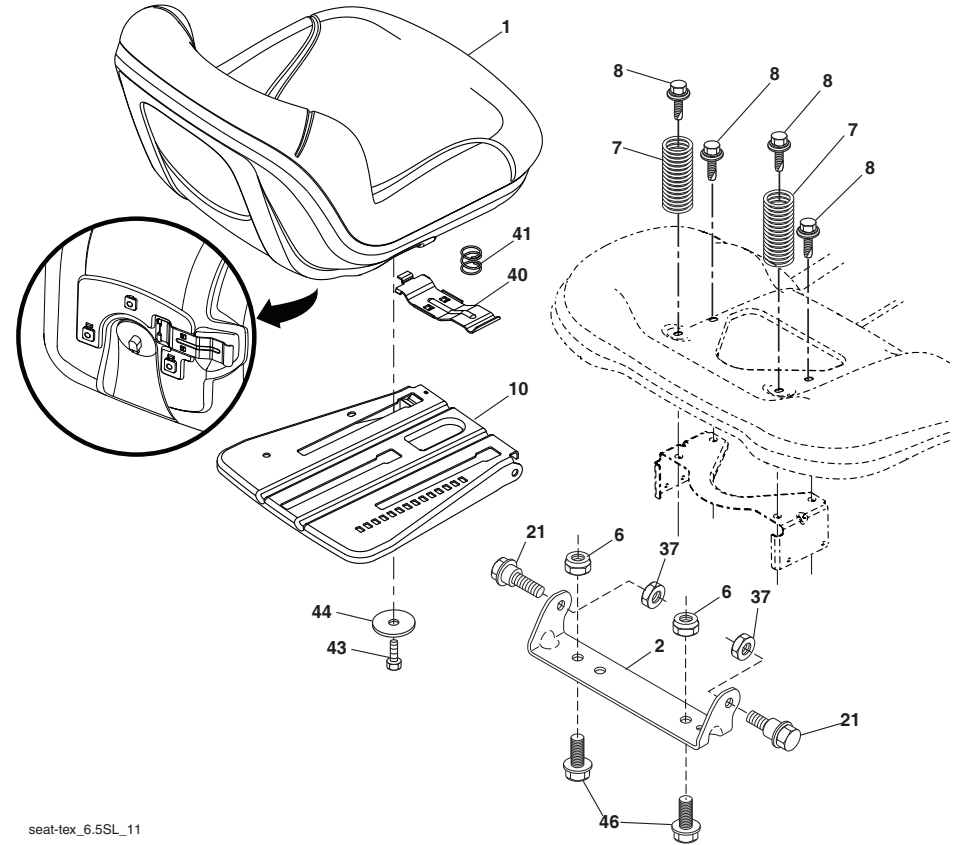
steering-tex\_TTR\_51

| KEY PART NO. | NO.        | DESCRIPTION                    |
|--------------|------------|--------------------------------|
| 1            | 414803X428 | Wheel, Steering                |
| 2            | 436870     | Axle Asm., Front               |
| 4            | 436873     | Spindle Asm., LH               |
| 5            | 436874     | Spindle Asm., RH               |
| 6            | 6266H      | Washer Thrust 0.75 x 1.23      |
| 7            | 121748X    | Washer 25/32 x 1-5/8 x 16 Ga.  |
| 8            | 12000029   | Ring, Clip #T5304-75           |
| 9            | 184946X667 | Cap, Spindle                   |
| 13           | 121749X    | Washer 25/32 x 1-1/4 x 16 Ga.  |
| 14           | 10040600   | Washer Lock 3/8                |
| 15           | 73540600   | Nut, Crown Lock 3/8-24 unf     |
| 16           | 587016002  | Shaft Steering                 |
| 19           | 194729     | Plate Steering                 |
| 21           | 586840201  | Adapter, Wheel Steering        |
| 22           | 585029901  | Bearing Asm.                   |
| 26           | 414852X428 | Insert, Wheel Steering         |
| 27           | 19211616   | Washer                         |
| 28           | 17000612   | Screw 3/8-16 x 3/4             |
| 35           | 440770     | Gear, Sector Plate             |
| 45           | 587016401  | Washer                         |
| 50           | 73900600   | Nut                            |
| 53           | 188967     | WasherHardened.793x1.637x.060  |
| 57           | 407465     | Bracket Upstop                 |
| 58           | 194747     | Bolt Shoulder Sector Pivot CFM |

| KEY PART NO. | NO.       | DESCRIPTION                     |
|--------------|-----------|---------------------------------|
| 59           | 194748    | Washer Thrust Sector Steering   |
| 60           | 73971000  | Nut Flange Lock 5/8-11          |
| 61           | 436884    | Draglink, LH                    |
| 62           | 436885    | Draglink, RH                    |
| 63           | 17000512  | Screw 5/16-18 x 3/4             |
| 64           | 199849    | Retainer Clip Spring Steering   |
| 66           | 71020748  | Bolt Hex Fghd 7/16-14 x 3 Serr  |
| 67           | 194737    | Bushing PM Front Axle           |
| 68           | 73900700  | Nut Lock Flange 7/16-14 Gr. 5   |
| 69           | 199162    | Washer 1.5 x .505 x .118        |
| 70           | 585338801 | Bracket Deck Susp. Front        |
| 75           | 580683701 | Pinion                          |
| 76           | 580683601 | Screw Head Sock.                |
| 80           | 1370H     | Washer Thrust 5/8 x 1.10 x 1/32 |
| 81           | 436887    | Link Cross RH                   |
| 82           | 442147    | Pivot Bolt                      |
| 85           | 441873    | Pivot RH                        |
| 86           | 441872    | Pivot LH                        |
| 122          | 444962    | Cap Gear                        |

**NOTE:** All component dimensions given in U.S. inches  
 1 inch = 25.4 mm

**TRACTOR - - MODEL NUMBER 917.203801**  
**SEAT ASSEMBLY**



seat-tex\_6.5SL\_11

| KEY PART NO. | NO.       | DESCRIPTION                   |
|--------------|-----------|-------------------------------|
| 1            | 586507601 | Seat                          |
| 2            | 180166    | Bracket Pivot Fender          |
| 6            | 73800600  | Nut, Lock W/Ins. 3/8-16 unc   |
| 7            | 587613301 | Spring, Seat Cprsn            |
| 8            | 171877    | Bolt 5/16-18 unc x 3/4 w/Sems |
| 10           | 196977    | Pan, Seat                     |
| 21           | 587907801 | Bolt, Shoulder 5/16-18 x 5/8  |
| 37           | 73800500  | Nut, Lock 5/16-18 unc         |
| 40           | 197661    | Handle Slide Seat             |

| KEY PART NO. | NO.       | DESCRIPTION                   |
|--------------|-----------|-------------------------------|
| 41           | 198200    | Spring Latch Seat             |
| 43           | 74760612  | Bolt 3/8-16 x 3/4             |
| 44           | 19133812  | Washer 13/32 x 2-3/8 x 12 Ga. |
| 46           | 588090401 | Bolt 3/8-16 x 1, 1.25 OD      |

**NOTE:** All component dimensions given in U.S. inches  
 1 inch = 25.4 mm