

Repair Parts Manual
Manual De Repuestos
YTH24K48D/96043029700

Please read the operator's manual carefully and make sure you understand the instructions before using the machine.

Por favor lea cuidadosamente y comprenda estas instrucciones antes de usar esta maquina.



English/Spanish

114 09 72-49 Rev. 1



HOW TO USE THIS MANUAL

This manual is designed to provide the customer with a means to identify the parts on his/her tractor when ordering repair parts. The illustrations may or may not represent the actual assemblies; therefore, it is not recommended to use this manual as a guide to assemble or disassemble the tractor. Some hardware and parts are drawn larger in order to more readily identify them.

Each tractor has its own model number. The model number for your tractor can be found on the fender under the seat.

Support / Help

If you require assistance or have questions concerning the application, operation, maintenance or parts for your product:

- Visit our website: www.husqvarna.com
- Call Us Toll Free: 1-800-487-5951

When ordering parts, always give the following information:

- Product - "TRACTOR"
- MODEL NUMBER - "YTH24K48D" (96043029700)"
- Part Number
- Part Description

TABLE OF CONTENTS

SCHEMATIC	3
ELECTRICAL	4-5
CHASSIS	6-7
DRIVE	8-9
ENGINE	10-11
STEERING	12-13
MOWER DECK	14-15
MOWER LIFT	16
SEAT	17
DECALS	18

COMO UTILIZAR ESTE MANUAL

Este manual está diseñado para brindarle al comprador un medio para identificar las piezas del tractor para cuando necesite hacer el pedido de un repuesto. Las ilustraciones pueden o no representar los ensambles reales; por lo tanto, no se recomienda utilizar este manual como una guía para ensamblar o desarmar el tractor. Algunos accesorios y piezas están dibujados en tamaños más grandes para identificarlos con mayor facilidad.

Cada tractor tiene su propio número de modelo. El número de modelo del tractor se encuentra en el guardabarros debajo del asiento.

Soporte / Ayuda

Si necesita asistencia o tiene alguna pregunta acerca de la aplicación, operación, mantenimiento o piezas de su producto:

- Visite nuestro sitio web: www.husqvarna.com
- Llámenos de manera gratuita al: 1-800-487-5951

Cuando haga el pedido de una pieza, siempre brinde la siguiente información:

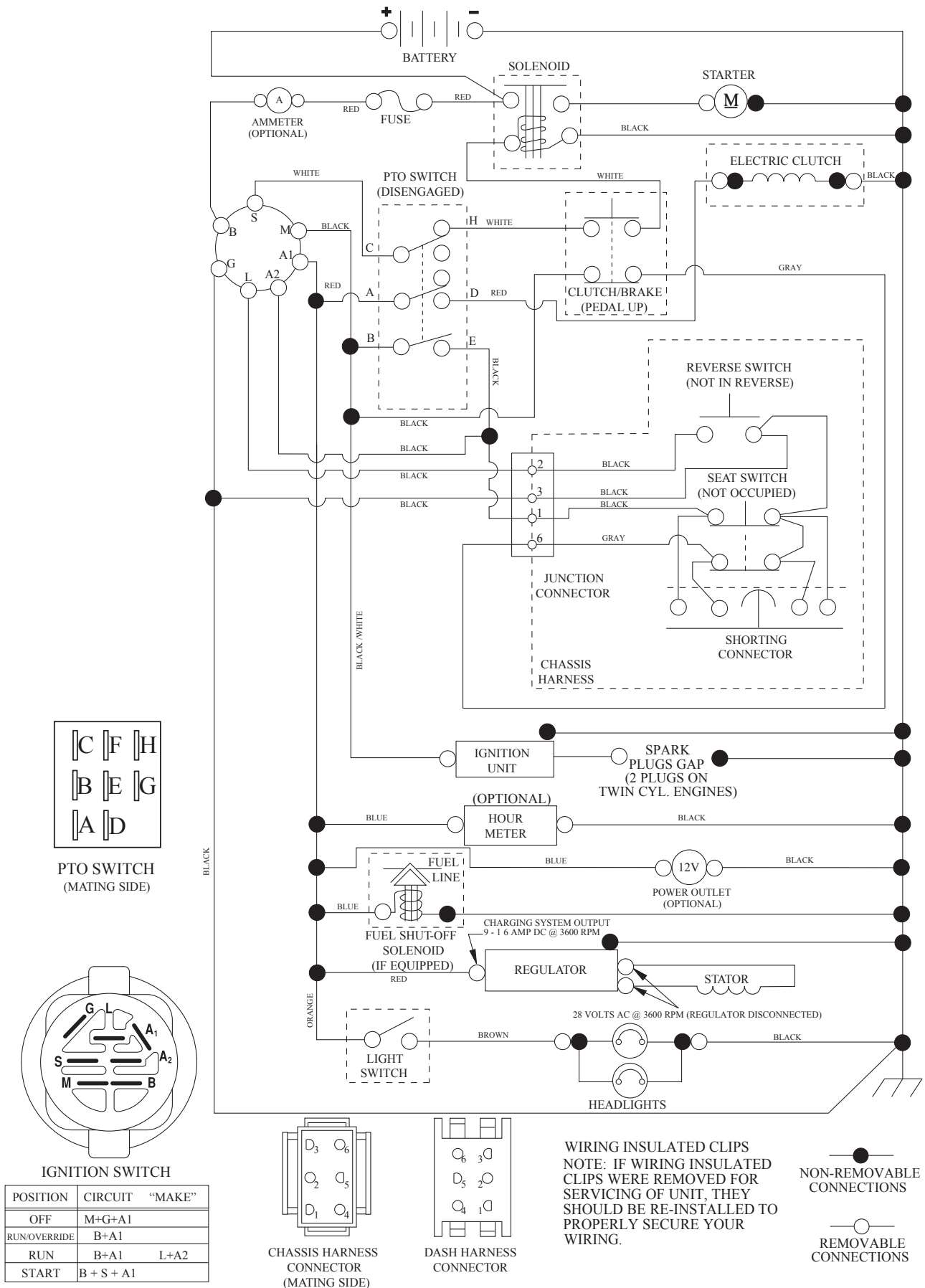
- Producto: "TRACTOR"
- NÚMERO DE MODELO: "YTH24K48D" (96043029700)"
- Número de pieza
- Descripción de la pieza

ÍNDICE

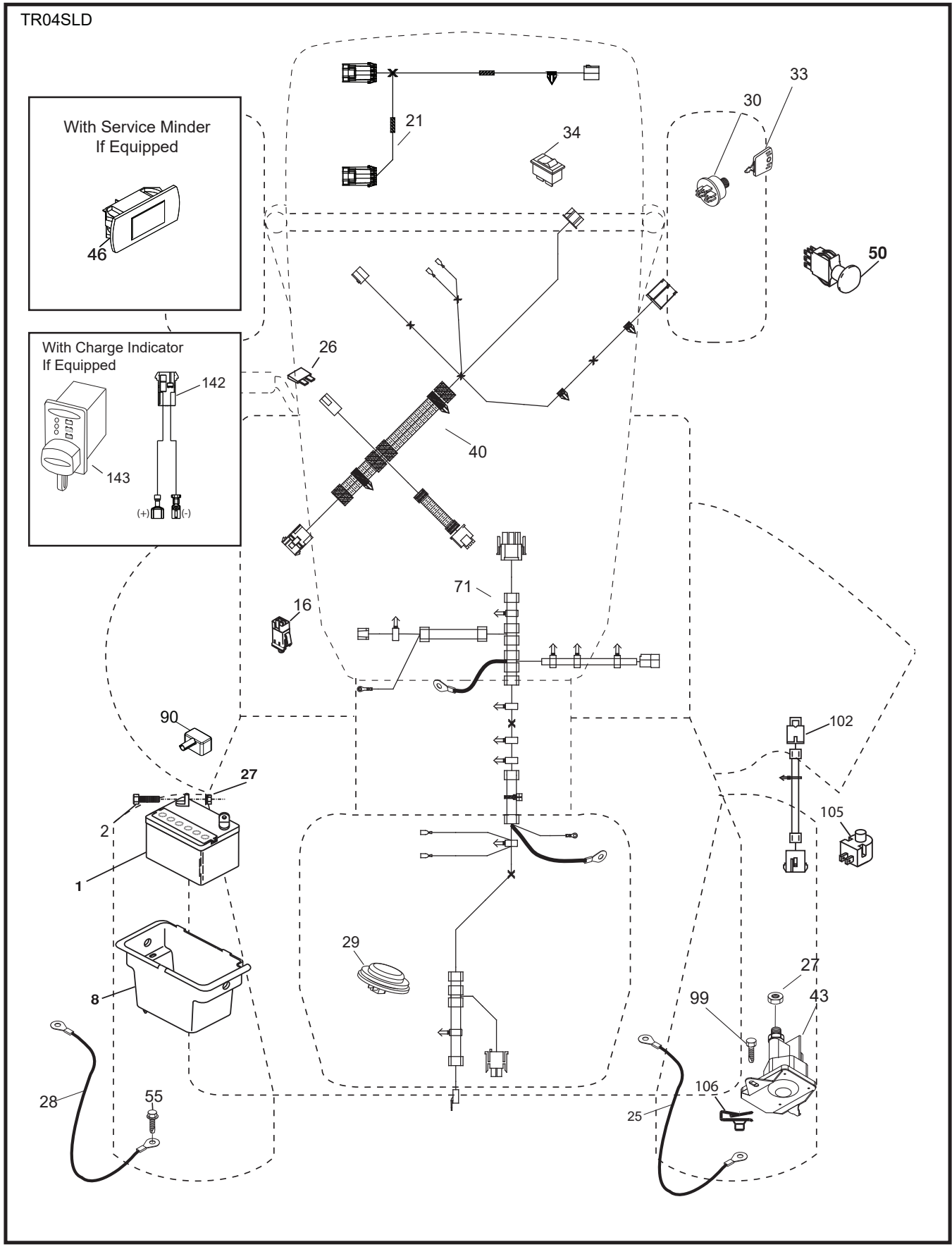
DIAGRAMA	19
DIAGRAMA ELÉCTRICO	20-21
CHASIS	22-23
TRANSMISIÓN	24-25
MOTOR	26-27
DIRECCIÓN	28-29
PLATAFORMA DE LA CORTADORA DE CÉSPED	30-31
ELEVACIÓN DE LA CORTADORA DE CÉSPED	32
ASIENTO	33
CALCOMANÍAS	34

TRACTOR - MODEL NO. YTH24K48D (96043029700), PRODUCT NO. 960 43 02-97 SCHEMATIC

SCH12



**TRACTOR - MODEL NO. YTH24K48D (96043029700), PRODUCT NO. 960 43 02-97
ELECTRICAL**

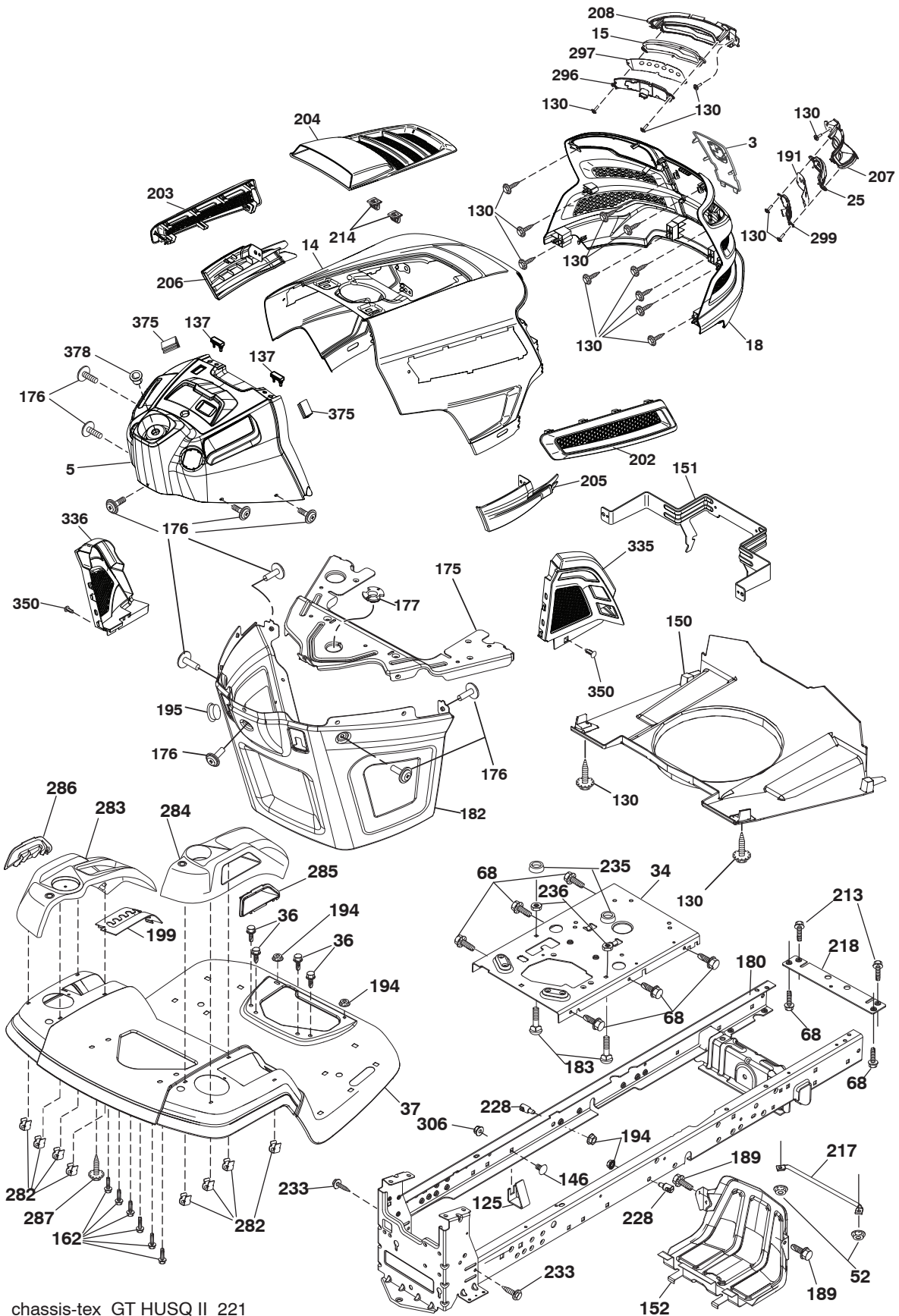


**TRACTOR - MODEL NO. YTH24K48D (96043029700), PRODUCT NO. 960 43 02-97
ELECTRICAL**

KEY NO.	PART NO.	DESCRIPTION
1	532 16 34-65	Battery
2	874 76 04-12	Bolt Hex Head 1/4-20 x 3/4
8	532 19 32-28	Box Battery
16	532 17 61-38	Switch Interlock Push-In
21	585 43 64-01	Harness Socket Light w/4152J
25	581 49 80-01	Cable Starter Batt. Red
26	532 17 51-58	Fuse
27	873 51 04-00	Nut Keps Hex 1/4-20 unc
28	532 42 16-86	Cable, Ground
29	532 40 15-45	Switch, Seat
30	532 19 33-50	Switch, Ign
33	532 41 19-35	Key/Chain
34	532 11 07-12	Switch Light/Reset
40	581 02 32-01	Harness Elec. Dash
43	582 04 28-01	Solenoid
46	586 16 18-01	Gauge Serviceminder Hrmtr
50	582 10 76-01	Switch PTO
55	817 06 05-12	Screw Thdrol 5/16-18 x 3/4 TYTT
71	501 13 37-01	Harness Chassis
90	532 43 53-95	Cover Terminal
99	817 67 04-12	Screw Hexwsh 1/4-20 x 3/4
102	532 40 44-54	Harness Pigtail
105	532 40 75-68	Switch Reverse
106	532 17 48-14	Palnut 1/4 Lugs

NOTE: All component dimensions given in U.S. inches
1 inch = 25.4 mm

TRACTOR - MODEL NO. YTH24K48D (96043029700), PRODUCT NO. 960 43 02-97
CHASSIS



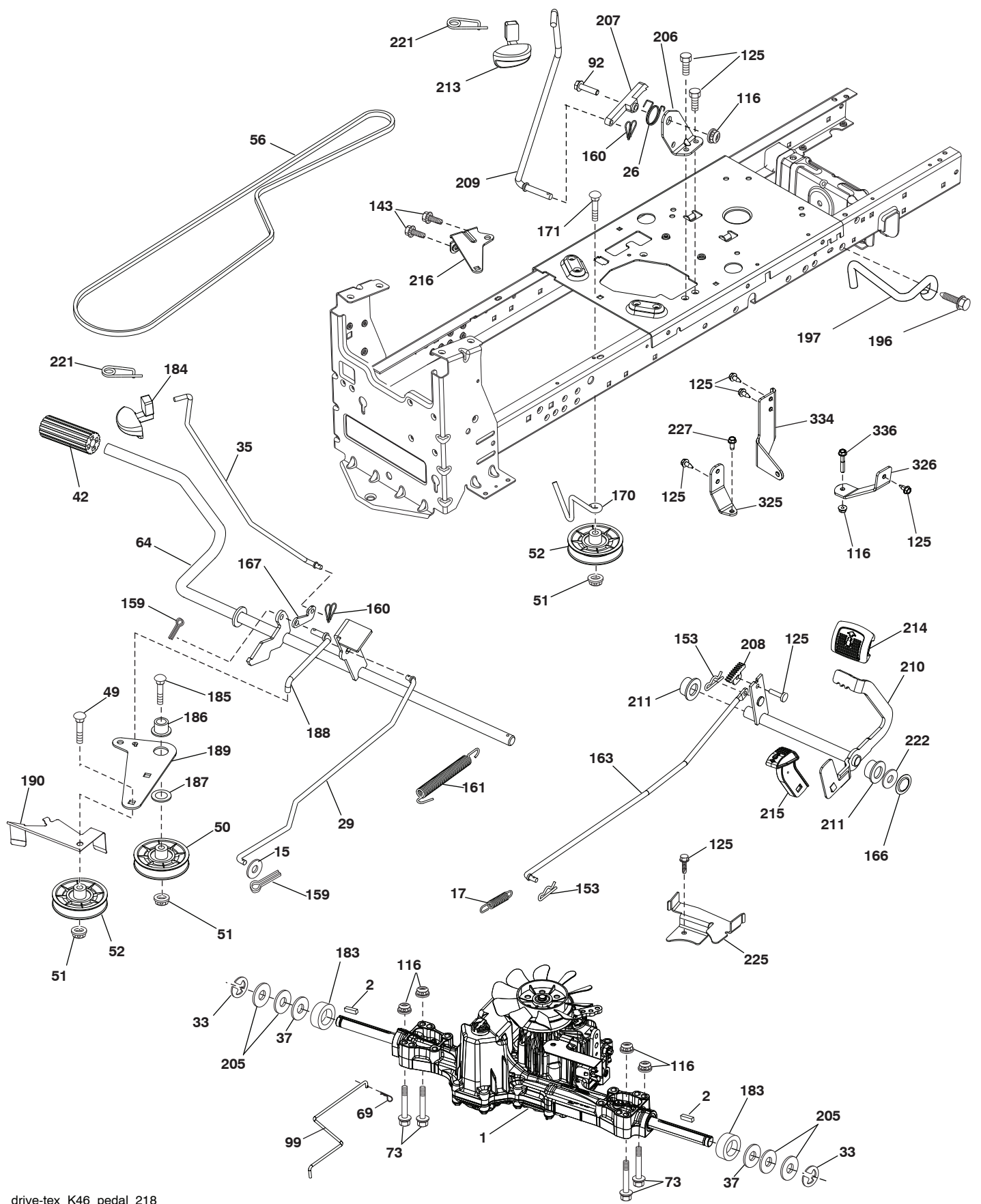
chassis-tex_GT HUSQ II_221

**TRACTOR - MODEL NO. YTH24K48D (96043029700), PRODUCT NO. 960 43 02-97
CHASSIS**

KEY NO.	PART NO.	DESCRIPTION	KEY NO.	PART NO.	DESCRIPTION
3	532 44 44-81	Logo	204	532 43 57-14	Vent Top Hood
5	590 74 00-11	Dash	205	532 43 97-30	Skirt Side RH
14	532 44 11-77	Hood	206	532 43 97-29	Skirt Side LH
15	585 42 03-01	Lens LH	207	585 42 00-02	Bezel RH
18	587 52 34-01	Grille	208	585 42 01-02	Bezel LH
25	585 42 02-01	Lens RH	213	539 97 69-34	HCS 5/16-18 x 3/4 Gr. 5 ZD
34	580 91 08-01	Plate Engine	214	532 19 91-45	Clip Retainer
36	817 06 05-12	Screw 5/16-18 x 3/4	217	532 40 91-67	Rod Pivot Hood
37	532 44 12-66	Fender	218	532 19 63-95	X-Piece Hood Stop
52	873 68 05-00	Nut Crown Lock 5/16	228	532 19 51-61	Stud Fastener
68	539 99 08-58	Screw Thdrol. 5/16-18 x 1/2	233	532 19 65-39	Bolt Shoulder
125	581 68 48-01	Clip Fuel Line	235	532 40 61-29	Spacer Fender
130	532 41 63-58	Screw #10 x 0.750	236	873 93 05-00	Nut Lock 5/16-18 unc
137	532 40 75-90	Bumper Dash	282	532 41 41-10	Clip Retianer
146	581 85 79-01	Bolt	283	532 43 98-23	Console Deck Lift
150	532 43 97-74	Air Duct	284	532 44 20-39	Console Control
151	532 43 66-70	Bracket Pivot	285	532 41 63-15	Console Insert RH
152	532 43 98-70	Shield Browning	286	532 41 63-17	Console Insert LH
162	532 14 24-32	Screw	287	817 60 04-06	Screw Hex Washhead 1/4-20 x 3/8
175	590 60 77-02	Crossmember	296	585 42 05-01	LED Light LH
176	532 40 07-76	Screw 10-24 x 5/8	297	586 18 29-01	Insert Reflective LH
177	532 19 52-28	Bushing Steering	299	585 42 04-01	LED Light RH
180	532 19 54-57	Chassis	306	873 90 06-00	Nut Lock
182	532 40 68-59	Dash Lower	335	532 44 82-04	Cover RH Lower Close Out
183	874 52 05-20	Bolt 5/16-18 unc x 1-1/4	336	532 44 53-09	Cover Lower Dash LH
189	817 00 05-12	Screw 5/16-18 x 3/4	350	532 44 51-43	Clip X-mas Tree
191	586 18 28-01	Insert Reflective RH	375	586 90 82-01	Dash Clip-On Bumper
194	873 90 05-00	Nut Lock Hex Flange 5/16-18	378	590 84 98-01	Bushing, Flange
195	532 40 41-37	Plug Hole Dash	--	532 43 18-82	Brush Guard Asm
199	532 41 34-85	Plate Deck			
202	532 43 97-28	Vent Side Hood RH			
203	532 43 97-27	Vent Side Hood LH			

NOTE: All component dimensions given in U.S. inches
1 inch = 25.4 mm

**TRACTOR - MODEL NO. YTH24K48D (96043029700), PRODUCT NO. 960 43 02-97
DRIVE**

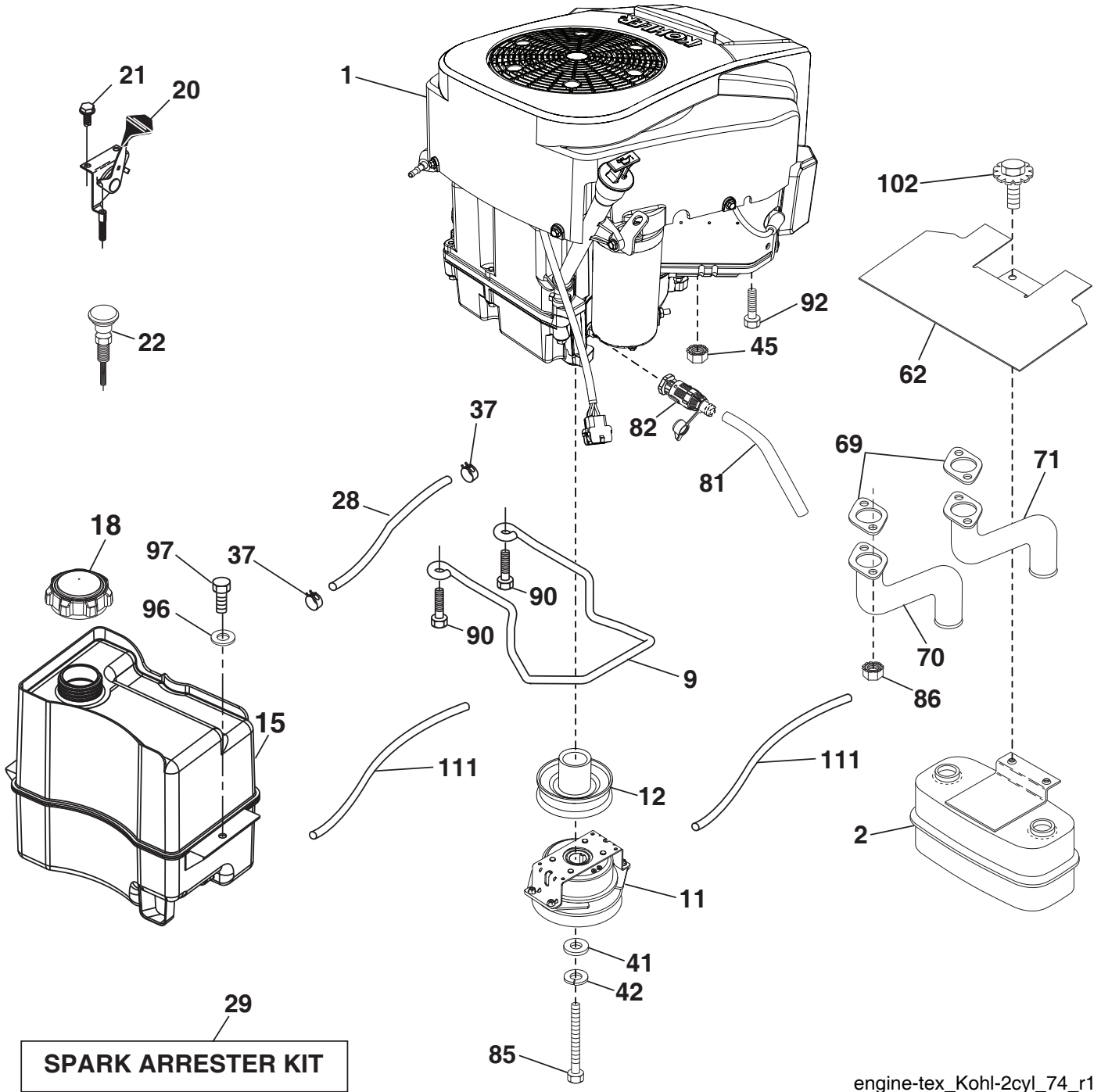


TRACTOR - MODEL NO. YTH24K48D (96043029700), PRODUCT NO. 960 43 02-97 DRIVE

KEY NO.	PART NO.	DESCRIPTION	KEY NO.	PART NO.	DESCRIPTION
1	---	Transaxle, Tufftorq K46CR (501051401) (Order parts from transaxle manufacturer.)	171	872 11 06-16	Bolt 3/8-16 unc x 2
2	532 12 35-83	Key Square	183	532 13 70-57	Spacer Axle
15	819 13 13-16	Washer 13/32 x 13/16 x 16 Ga.	184	587 65 37-01	Handle Parking Brake
17	532 41 36-78	Spring, Brake	185	872 11 06-22	Bolt
26	532 19 96-79	Spring Return Cruise	186	532 19 43-21	Spacer Retainer
29	532 40 38-06	Rod, Brake	187	819 13 32-10	Washer
33	812 00 00-01	Ring E	188	582 21 70-01	Link Clutch Ground Drive, Long
35	590 60 59-01	Rod, Brake, Park	189	532 19 43-17	Bellcrank Ground Drive
37	532 18 89-67	Washer .793 x 1.637 x 060	190	532 19 43-18	Keeper Bellcrank Ground Drive
42	532 12 48-72	Cover, Foot Pedal	196	817 00 06-16	Screw 3/8-16 x 1 Smgl
49	872 11 06-14	Bolt	197	585 65 86-01	Clutch Antirotation
50	532 19 43-27	Pulley Idler Flat	205	532 12 17-48	Washer 25/32 x 1-5/8 x 16 Ga.
51	873 90 06-00	Lock Nut 3/8-16	206	532 44 85-96	Bracket Mount Latch Cruise
52	532 19 43-26	Idler V-Groove	207	587 03 14-01	Latch Control Cruise
56	532 13 09-69	V-Belt, Drive	208	532 19 78-69	Gear Sector Control Cruise
64	532 19 78-65	Shaft Asm. Pedal Brake Control	209	590 52 78-01	Rod Control Cruise
69	532 42 33-03	Hairpin Soft Zinc .059 x 1.125	210	532 40 09-80	Rocker Asm. Pedal Control
73	874 49 05-40	Bolt Hex 5/16-18 x 2 1/2 G.5	211	532 12 01-83	Bearing Nylon
92	874 76 05-20	Bolt Fin Hex 5/16-18 unc x 1.25	213	532 40 31-19	Knob Control Cruise
99	582 40 45-01	Rod Bypass LTv K46, K57	214	532 42 12-63	Pedal Forward
116	873 90 05-00	Nut Lock Hex Flange 5/16-18	215	586 60 65-02	Pedal Reverse
125	817 00 05-12	Screw 5/16-18 x 3/4	216	532 19 61-31	Bracket Pulley Idler
143	539 99 08-58	Screw 5/16-18 x 1/2	221	532 40 31-87	Retainer Spring Clip Handle
153	532 12 47-88	Retainer Spring 1"	222	879 21 20-10	Washer 21/32 x 1-1/4 10 Ga.
159	876 02 04-12	Pin Cotter 1/8 x 3/4	225	532 40 33-19	Keeper Belt Transaxle
160	532 16 94-84	Retainer Clip	227	817 49 05-12	Screw 5/16-18 x 3/4
161	532 10 57-09	Spring, Return, Clutch	325	585 66 85-02	Torque Strap K46 LT RH
163	532 44 82-75	Rod Control	326	585 67 08-02	Bracket TRQ STP 46 20" Tire RH
166	532 42 91-64	Nut Push	334	585 88 22-01	Sway Rod Brkt
167	532 40 52-57	Latch Brake Parking	336	587 25 96-01	Bolt 5/16 - 18 x 1-3/4 Flanged
170	532 19 43-22	Keeper V-Idler			

NOTE: All component dimensions given in U.S. inches
1 inch = 25.4 mm

TRACTOR - MODEL NO. YTH24K48D (96043029700), PRODUCT NO. 960 43 02-97
ENGINE



engine-tex_Kohl-2cyl_74_r1

**TRACTOR - MODEL NO. YTH24K48D (96043029700), PRODUCT NO. 960 43 02-97
ENGINE**

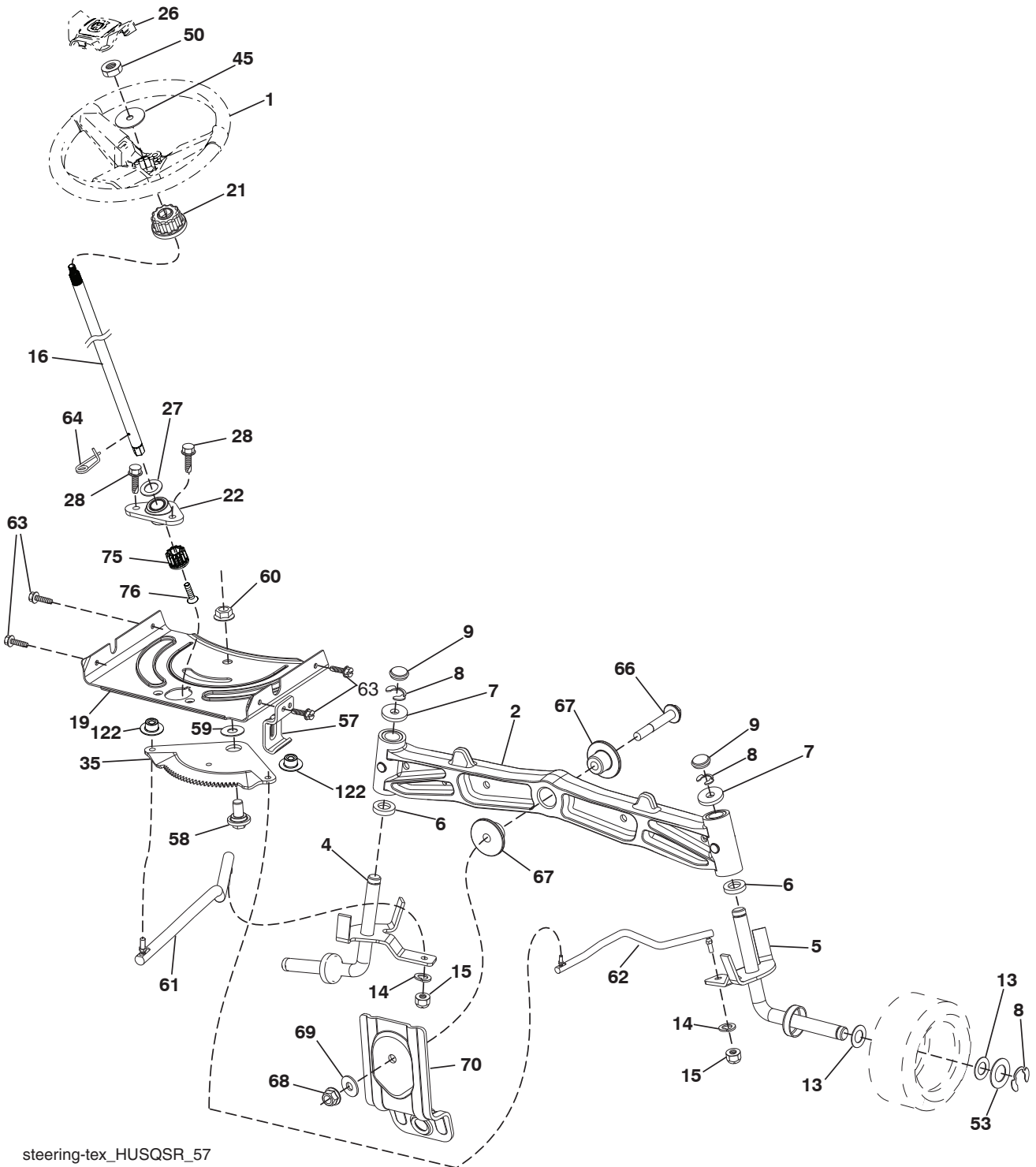
KEY NO.	PART NO.	DESCRIPTION
1	-----	Engine Kohler Model No. KT735-3011 (585453201) (Order parts from engine manufacturer.)
2	532 44 59-62	Muffler
9	501 83 26-02	Keeper Belt Engine
11	587 24 16-01	Clutch Ogura
12	532 40 50-97	Pulley Engine
15	532 43 30-05	Tank Fuel
18	587 38 29-01	Cap Asm
20	532 18 29-37	Control Throttle
21	532 41 63-58	Screw # 10 x 0.750
22	532 19 15-96	Choke Control
28	532 40 11-35	Fuel Line
29	532 13 71-80	Spark Arrester Kit
37	532 12 34-87	Clamp Hose
41	532 12 61-97	Washer
42	539 99 02-47	Washer Lock 7/16 SLW Std
45	873 51 04-00	Nut Keps Hex 1/4-20 unc
62	532 43 40-17	Shield Heat Muffler
69	532 18 60-54	Gasket
70	583 95 45-01	Tube Exhaust RH
71	583 95 48-01	Tube Exhaust LH
81	532 14 84-56	Tube Drain Oil
82	532 42 82-87	Plug
85	501 60 66-01	Bolt Hex 7/16-20 x 3.75 Gr 5
86	532 18 43-62	Nut.Hex.Flange
90	817 00 06-16	Screw 3/8-16 x 1
92	817 12 06-16	Screw 3/8-16 x 1
96	819 09 14-16	Washer 9/32 x 7/8 x 16 Ga.
97	817 67 04-12	Screw 1/4-20 x 3/4
102	817 00 05-12	Screw 5/16-18 x 3/4
111	532 41 41-19	Purge Line Carb 3/16

NOTE: All component dimensions given in U.S. inches
1 inch = 25.4 mm

For engine service and replacement parts, call the toll free number for your engine manufacturer listed below:

Kohler Co. 1-800-544-2444

TRACTOR - MODEL NO. YTH24K48D (96043029700), PRODUCT NO. 960 43 02-97
STEERING ASSEMBLY



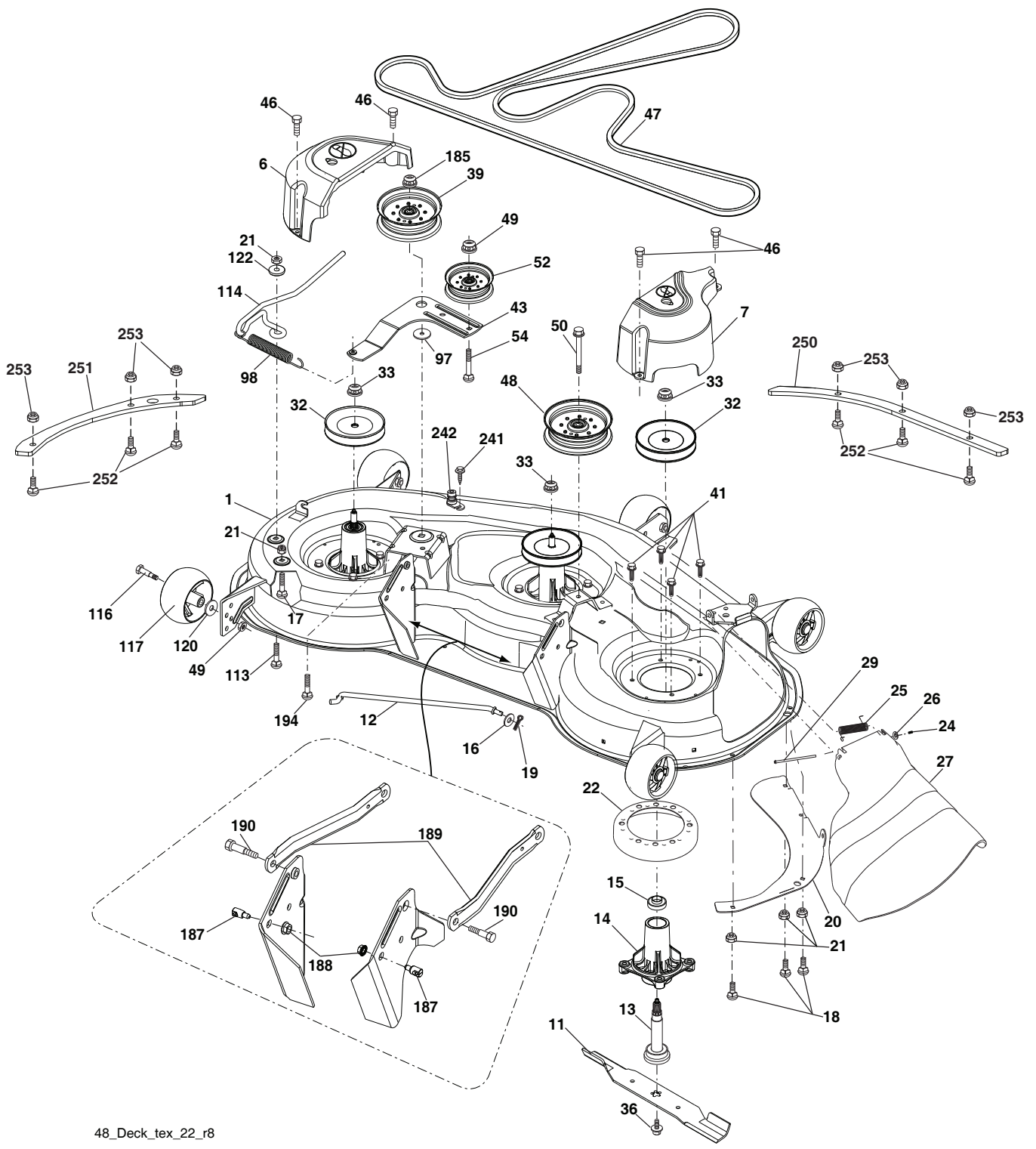
steering-tex_HUSQSR_57

**TRACTOR - MODEL NO. YTH24K48D (96043029700), PRODUCT NO. 960 43 02-97
STEERING ASSEMBLY**

KEY NO.	PART NO.	DESCRIPTION
1	532 43 97-40	Wheel, Steering
2	532 19 59-68	Axle Cast Iron
4	532 40 30-87	Spindle Asm., LH
5	532 40 30-88	Spindle Asm., RH
6	532 12 49-31	Washer, Thrust
7	532 12 17-48	Washer 25/32 x 1-5/8 x 16 Ga.
8	812 00 00-29	Ring, Klip #T5304-75
9	532 12 12-32	Cap, Spindle
13	532 12 17-49	Washer 25/32 x 1-1/4 x 16 Ga.
14	539 99 01-18	Washer, SLW ZD 3/8
15	873 54 06-00	Nut, Crown Lock 3/8-24 unf
16	587 01 60-02	Steering Shaft
19	532 19 47-29	Plate Steering
21	586 84 02-01	Adapter Wheel Steering
22	585 02 98-02	Bearing
26	532 43 97-43	Insert, Wheel Steering
27	819 21 16-16	Washer
28	817 00 06-12	Screw 3/8-16 x 3/4
35	532 19 47-32	Gear, Sector Plate
45	587 01 64-01	Washer 3/8 ID 2-3/8 OD 12 Ga. PLTD
50	873 90 06-00	Nut Lock Flg 3/8-16 unc
53	532 18 89-67	Washer Hardened .793x1.637x.060
57	532 19 72-46	Bracket Upstop
58	532 19 47-47	Bolt Shoulder Sector Pivot CFM
59	532 19 47-48	Washer Thrust Sector Steering
60	873 97 10-00	Nut Flange Lock 5/8-11
61	588 79 44-02	Draglink, LH
62	588 79 45-02	Draglink, RH
63	817 00 05-12	Screw 5/16-18 x 3/4
64	532 19 98-49	Retainer Clip Spring Steering
66	871 02 07-48	Bolt Hex Fghd 7/16-14 x 3 Serr
67	532 19 47-37	Bushing PM Front Axle
68	873 90 07-00	Nut Lock Flange 7/16-14 Gr. 5
69	532 19 91-62	Washer 1.5 x .505 x .118
70	585 33 88-01	Bracket Deck Susp. Front
75	580 68 37-01	Pinion
76	580 68 36-01	Screw Head Sock
122	532 44 49-62	Cap Gear

NOTE: All component dimensions given in U.S. inches
1 inch = 25.4 mm

**TRACTOR - MODEL NO. YTH24K48D (96043029700), PRODUCT NO. 960 43 02-97
MOWER DECK**



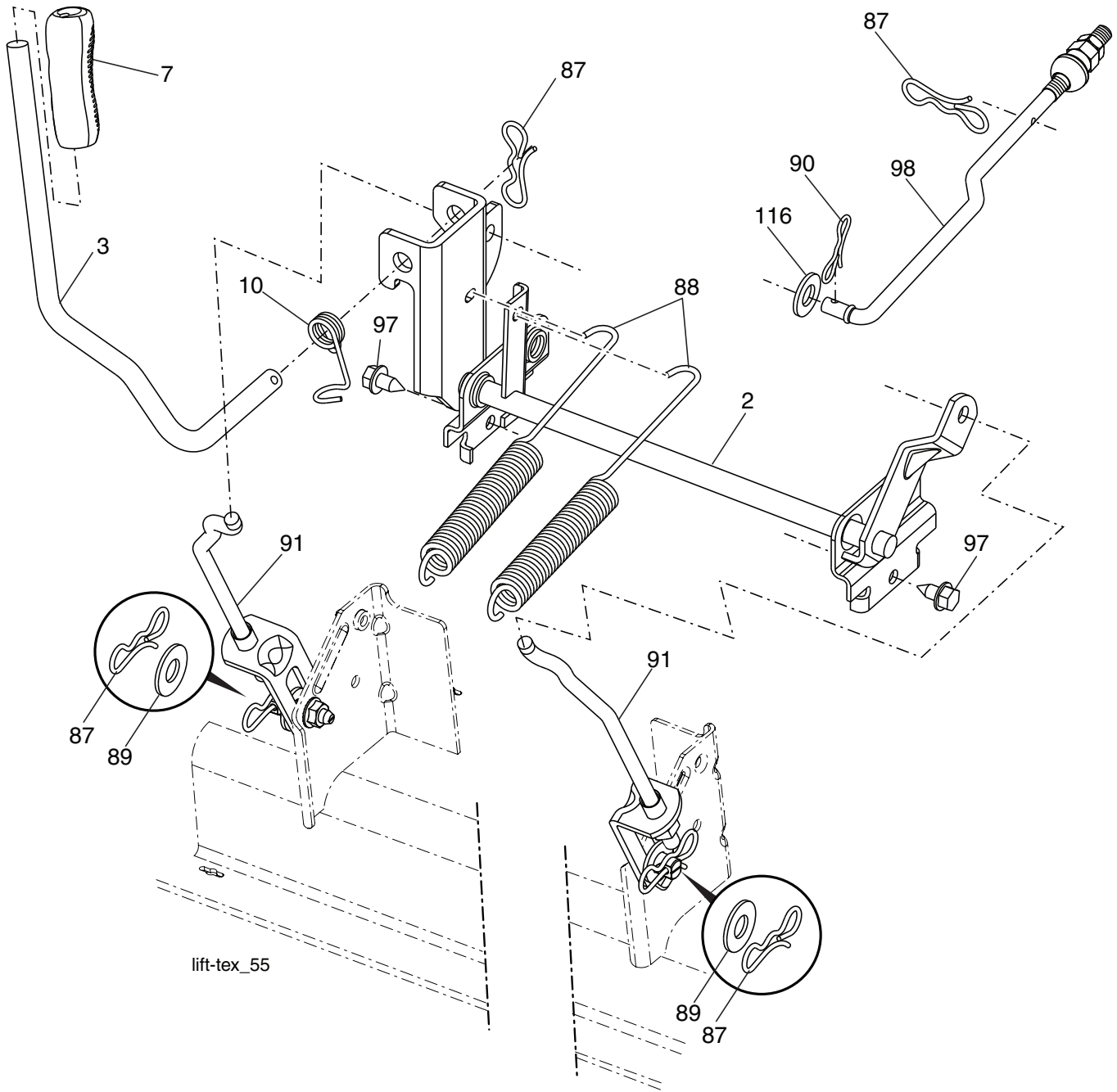
48_Deck_tex_22_r8

**TRACTOR - MODEL NO. YTH24K48D (96043029700), PRODUCT NO. 960 43 02-97
MOWER DECK**

KEY PART NO. NO.	DESCRIPTION	KEY PART NO. NO.	DESCRIPTION
1	532 41 82-24	54	872 11 06-12
6	532 19 72-48	97	532 17 85-15
7	587 45 24-01	98	532 19 61-05
11	532 18 00-54	113	539 10 72-71
12	532 40 48-51	114	532 19 74-51
13	587 25 64-01	116	532 19 34-06
14	532 18 72-81	117	589 52 73-01
15	585 32 39-01	120	819 12 14-14
16	819 13 13-12	122	532 18 75-57
17	872 11 05-05	185	873 90 07-00
18	872 14 05-05	187	532 19 51-61
19	532 19 42-08	188	873 90 05-00
20	532 17 43-78	189	587 14 05-02
21	873 68 05-00	190	532 19 65-39
22	532 17 44-93	194	874 49 07-36
24	532 10 53-04	241	532 15 29-27
25	532 17 81-02	242	532 41 55-98
26	532 11 04-52	250	585 31 80-05
27	532 18 17-07	251	585 32 24-05
29	532 13 14-91	252	592 80 78-01
32	532 15 35-32	253	873 90 04-00
33	532 40 02-34	--	532 41 64-05
36	584 30 93-01	--	587 12 54-01
39	532 19 73-80		
41	584 95 39-01		
43	532 19 60-65		
46	532 13 77-29		
47	532 19 72-42	--	532 41 82-23
48	532 19 73-79		
49	873 90 06-00		
50	817 49 06-36		
52	532 19 31-97		

NOTE: All component dimensions given in U.S. inches
1 inch = 25.4 mm

**TRACTOR - MODEL NO. YTH24K48D (96043029700), PRODUCT NO. 960 43 02-97
MOWER LIFT**

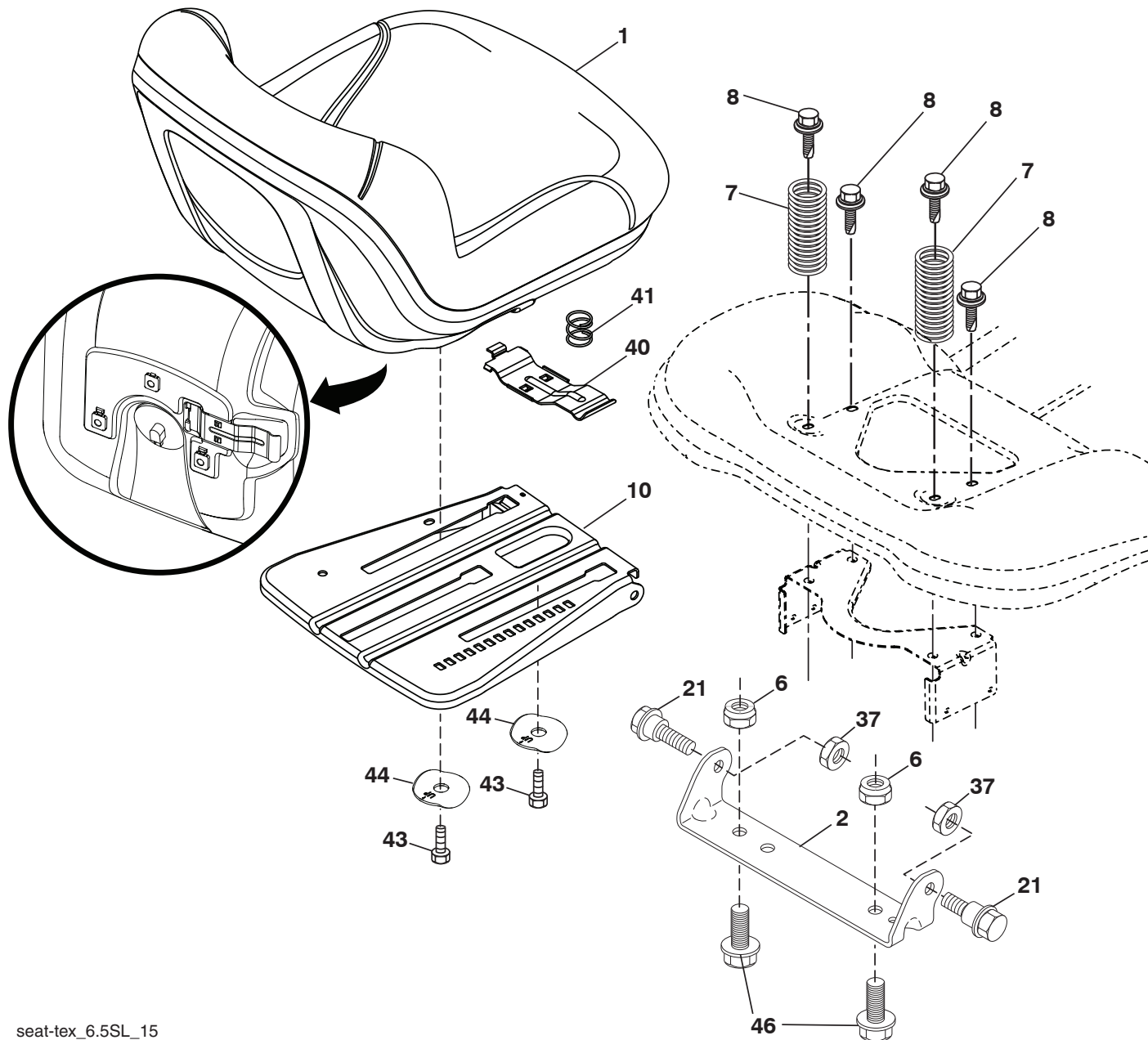


KEY NO.	PART NO.	DESCRIPTION
2	532 42 20-27	Shaft Asm. Cross, Lift
3	532 19 52-31	Lever Asm., Lift
7	580 96 23-01	Grip, Lever
10	532 19 63-14	Spring Torsion
87	532 19 42-09	Pin Cotter 7/16 Bow Tie Lock
88	532 41 07-10	Spring Lift Assist
89	819 19 19-12	Washer Clear Zinc
90	532 19 42-08	Pin Cotter 5/16 Bow Tie Lock

KEY NO.	PART NO.	DESCRIPTION
91	532 19 51-81	Link Lift Susp Mower Rear
97	817 00 06-12	Screw 3/8-16 x .75
98	532 19 52-64	Link Lift Susp. Front Mower
116	819 15 15-16	Washer 15/32 x 15/16 x 16 Ga.

NOTE: All component dimensions given in U.S. inches
1 inch = 25.4 mm

TRACTOR - MODEL NO. YTH24K48D (96043029700), PRODUCT NO. 960 43 02-97 SEAT ASSEMBLY



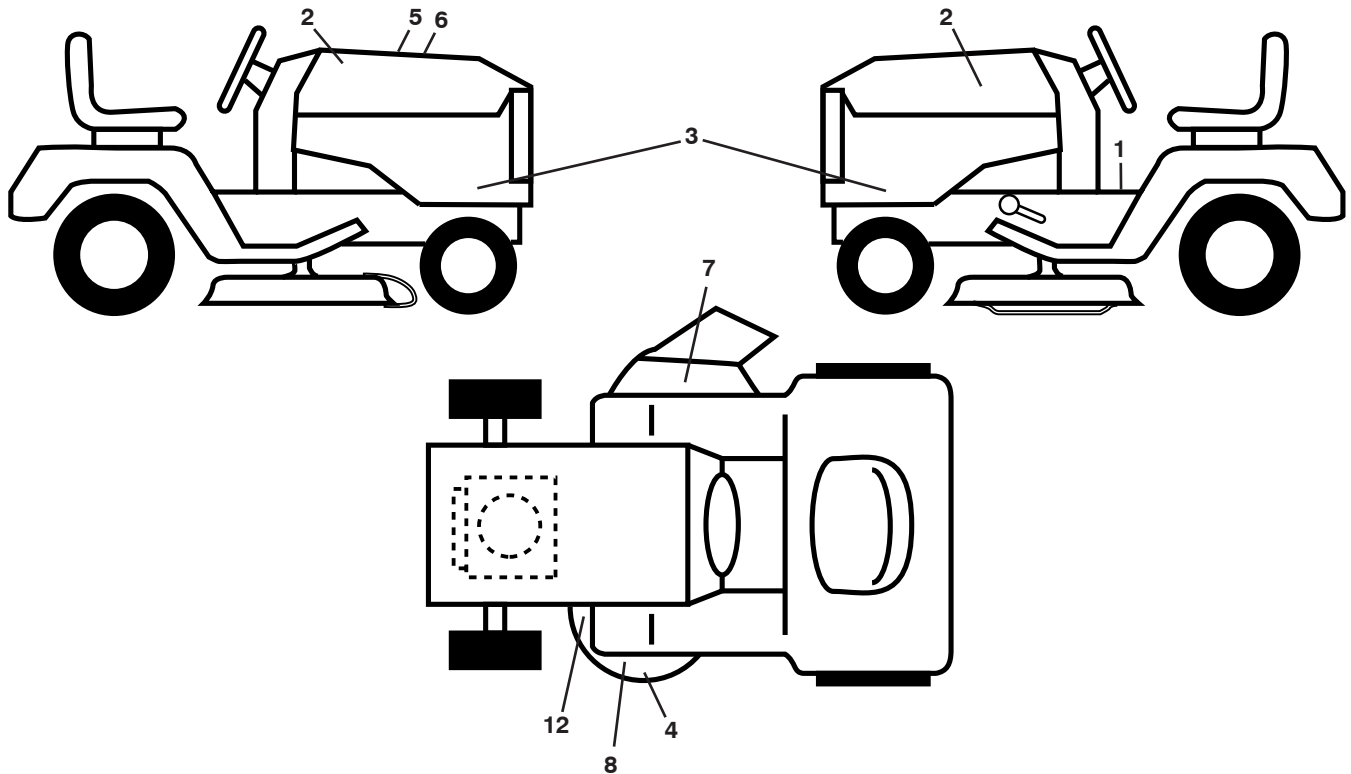
seat-tex_6.5SL_15

KEY NO.	PART NO.	DESCRIPTION
1	532 43 98-22	Seat
2	532 18 01-66	Bracket Pivot Fender
6	873 80 06-00	Nut, Lock W/Ins. 3/8-16 unc
7	589 48 35-01	Spring, Seat Cprsn
8	532 17 18-77	Bolt 5/16-18 unc x 3/4 w/Sems
10	587 23 20-02	Pan, Seat
21	587 90 78-01	Bolt, Shoulder 5/16-18 x 5/8
37	873 80 05-00	Nut, Lock 5/16-18 unc

KEY NO.	PART NO.	DESCRIPTION
40	532 19 76-61	Handle Slide Seat
41	532 19 82-00	Spring Latch Seat
43	874 76 06-12	Bolt 3/8-16 x 3/4
44	501 05 18-01	Washer 13/32 x 2-3/8 x 12 Ga.
46	588 09 04-01	Bolt 3/8-16 x 1, 1 25 OD

NOTE: All component dimensions given in U.S. inches
1 inch = 25.4 mm

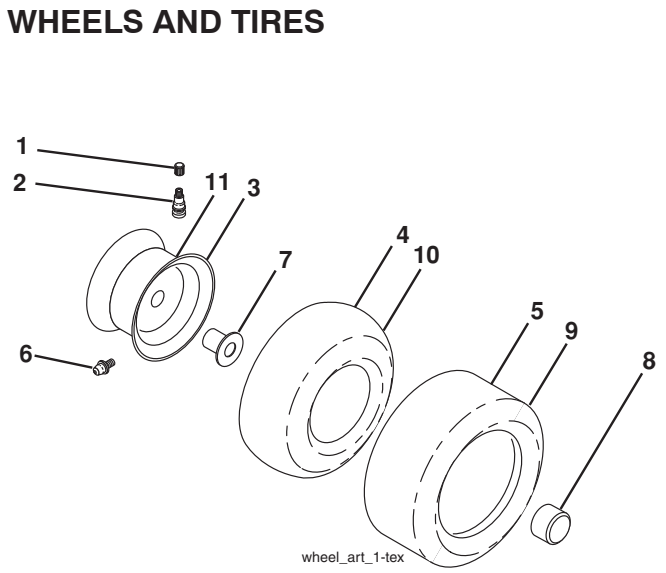
**TRACTOR - MODEL NO. YTH24K48D (96043029700), PRODUCT NO. 960 43 02-97
DECALS**



KEY NO.	PART NO.	DESCRIPTION
1	581 57 89-01	Decal, Fender Warning
2	501 13 14-01	Decal, Hood
3	596 86 78-01	Decal, Hood Panel SD
4	581 72 45-02	Decal, Caution
5	532 42 38-29	Decal, Customer Respons.
6	593 35 73-01	Decal, Replacement
7	584 90 46-01	Decal, Deflect. Warning
8	585 71 44-01	Decal, POP Armored (English)
12	581 58 00-02	Decal, Mower V-Belt Schematic
--	581 72 48-01	Decal, Bypass
--	581 57 90-01	Decal, Fndr (English/French)

KEY NO.	PART NO.	DESCRIPTION
--	532 43 96-81	Pad, Footrest, LH
--	532 43 96-82	Pad, Footrest, RH
--	114 09 71-49	Manual Operator's (English/Spanish)
--	114 09 73-32	Manual Operator's (French)
--	114 09 72-49	Manual Part's (English/Spanish)
--	114 09 74-32	Manual Part's (French)
--	587 71 00-26	Quick Start Guide (English/Spanish)
--	587 71 01-26	Manual Quick Start Guide (English/French)

WHEELS AND TIRES

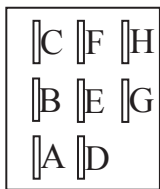
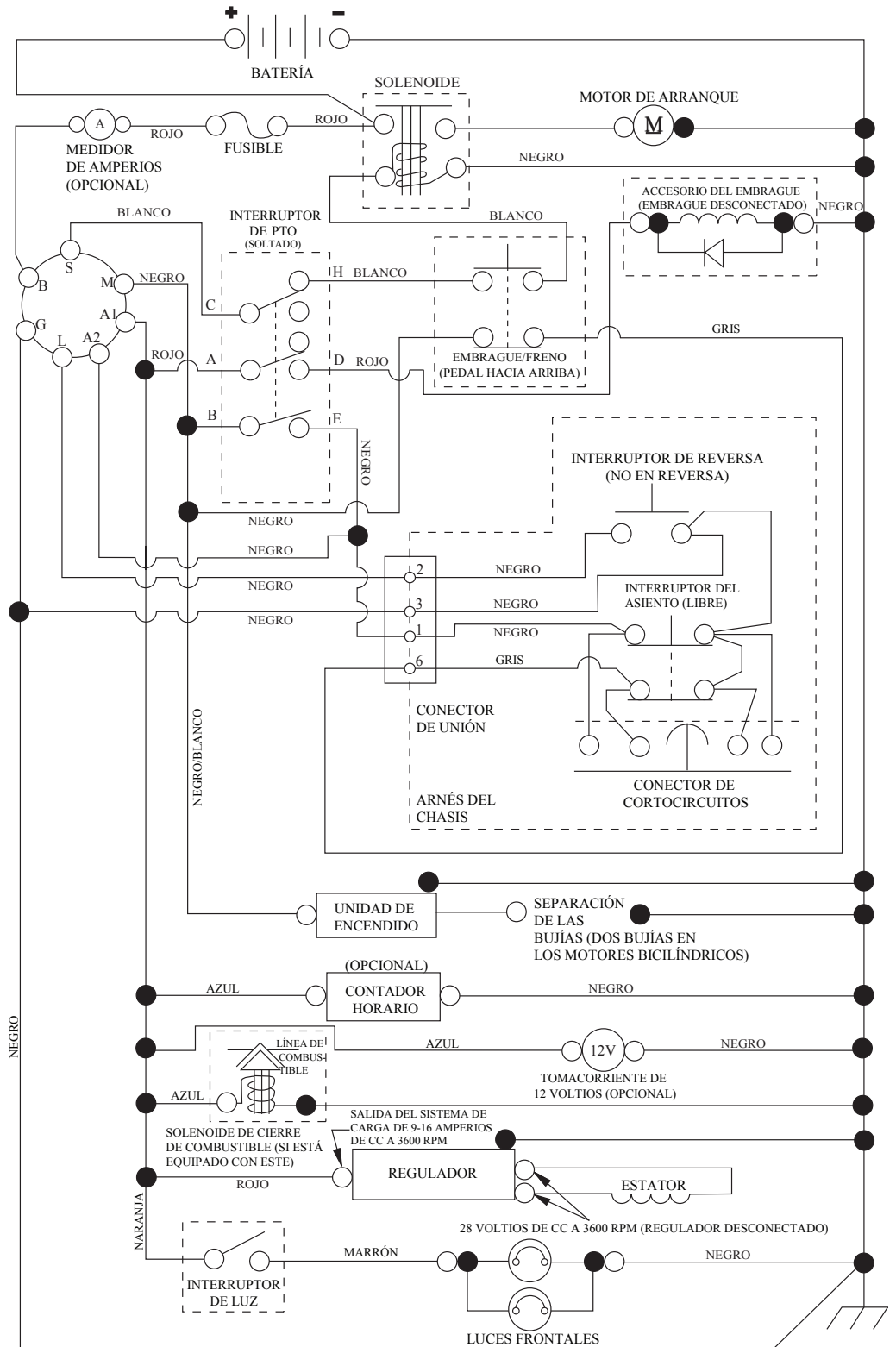


KEY NO.	PART NO.	DESCRIPTION
1	532 05 91-92	Cap Valve Tire
2	532 06 51-39	Stem Valve
3	532 13 83-36	Rim Front
4	532 05 99-04	Tube Front (Service Item Only)
5	532 10 62-22	Tire Front 15 x 6-6
6	532 12 49-57	Fitting Grease (Front Wheel Only)
7	532 12 49-59	Bearing Flange (Front Wheel Only)
8	532 17 50-39	Cap Axle Blk 1 50 x 1 00
9	532 12 20-82	Tire Rear 20 x 10-8
10	532 12 49-26	Tube Rear (Service Item Only)
11	532 13 83-37	Rim Asm 8" Rear
--	532 14 43-34	Sealant, Tire (10 oz. Tube)

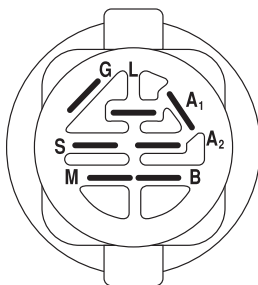
NOTE: All component dimensions given in U.S. inches
1 inch = 25.4 mm

TRACTOR - MODELO NO. YTH24K48D (96043029700), PRODUCTO NO. 960 43 02-97 DIAGRAMA

SCH12-s

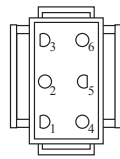


INTERRUPTOR DE PTO
(CARA DE ACOPLAMIENTO)

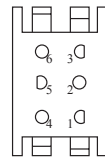


INTERRUPTOR DE ENCENDIDO

POSICIÓN	CIRCUITO «MARCA»
APAGADO	M+G+A1
PONER EN FUNCIONAMIENTO/ANULAR	B+A1
PONER EN FUNCIONAMIENTO	B+A1 L+A2
ARRANCAR	B + S + A1



CONEXIÓN DEL
ARNÉS DEL CHASIS
(LATERAL QUE COINCIDA)



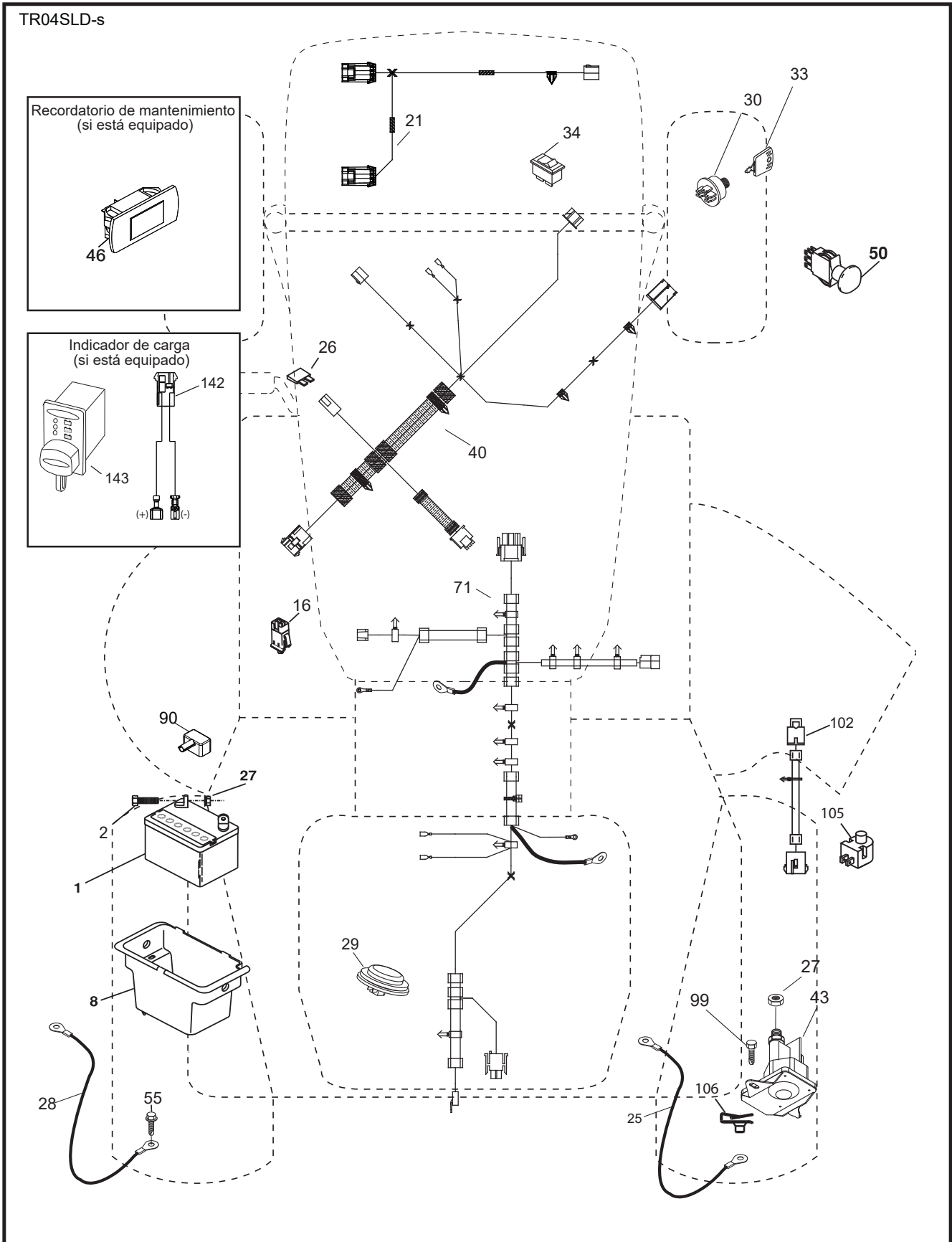
CONEXIÓN PARA EL
ARNÉS DEL TABLERO

NOTA SOBRE LAS ABRAZADERAS DE AISLAMIENTO DEL CABLEADO: SI SE QUITAN LAS ABRAZADERAS DE AISLAMIENTO DEL CABLEADO PARA HACER EL MANTENIMIENTO DE LA UNIDAD, SE LAS DEBERÁ INSTALAR NUEVAMENTE PARA PROTEGER EL CABLEADO ADECUADAMENTE.

CONEXIONES NO
DESMONTABLES

CONEXIONES
DESMONTABLES

TRACTOR - MODELO NO. YTH24K48D (96043029700), PRODUCTO NO. 960 43 02-97
DIAGRAMA ELÉCTRICO

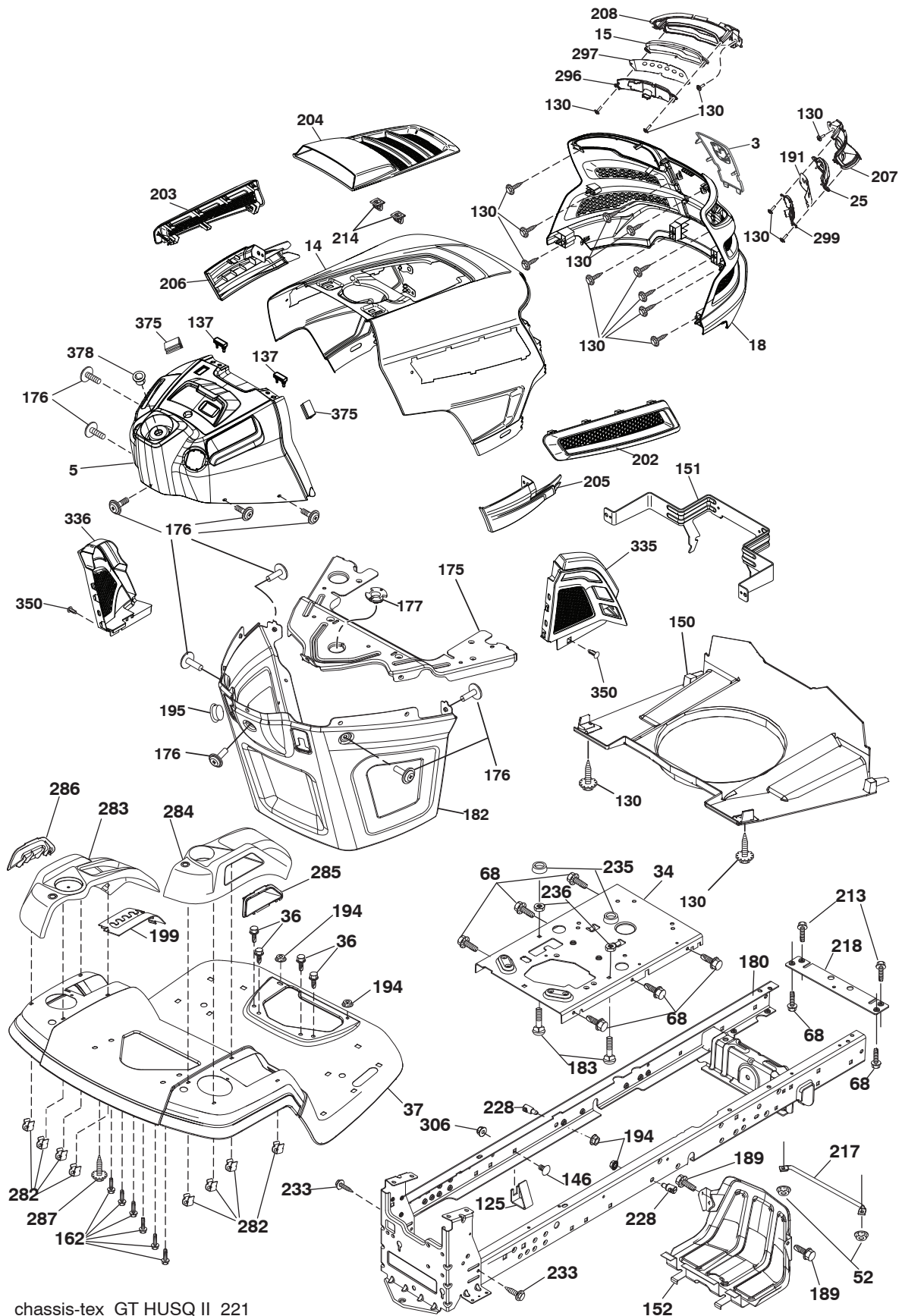


**TRACTOR - MODELO NO. YTH24K48D (96043029700), PRODUCTO NO. 960 43 02-97
DIAGRAMA ELÉCTRICO**

CÓDIGO PIEZA		DESCRIPCIÓN
No.	No.	
1	532 16 34-65	Batería
2	874 76 04-12	Perno de cabeza hexagonal de 1/4-20 x 3/4
8	532 19 32-28	Caja de la batería
16	532 17 61-38	Interruptor corta corriente a presión
21	585 43 64-01	Cableado del enchufe para la luz c/4152J
25	581 49 80-01	Cable batería rojo
26	532 17 51-58	Fusible
27	873 51 04-00	Tuerca hexagonal Keps de 1/4-20 unc
28	532 42 16-86	Cable a tierra
29	532 40 15-45	Interruptor del asiento
30	532 19 33-50	Interruptor de encendido
33	532 41 19-35	Llave/cadena
34	532 11 07-12	Interruptor de luz/de restauración
40	581 02 32-01	Relé de arnés de encendido eléctrico
43	582 04 28-01	Solenoide
46	586 16 18-01	Indicador SRVCMNDR HRMTR
50	582 10 76-01	Interruptor
55	817 06 05-12	Tornillo de 5/16-18 x 3/4
71	501 13 37-01	Cableado de encendido Chasis
90	532 43 53-95	Tapa de los bornes de la batería
99	817 67 04-12	Tornillo 1/4-20 x 3/4
102	532 40 44-54	Cableado
105	532 40 75-68	Interruptor
106	532 17 48-14	Tuerca 1/4 patte

NOTA: Las dimensiones de todos los componentes están expresadas en pulgadas americanas. 1 pulgada = 25,4 mm

TRACTOR - MODELO NO. YTH24K48D (96043029700), PRODUCTO NO. 960 43 02-97
CHASIS



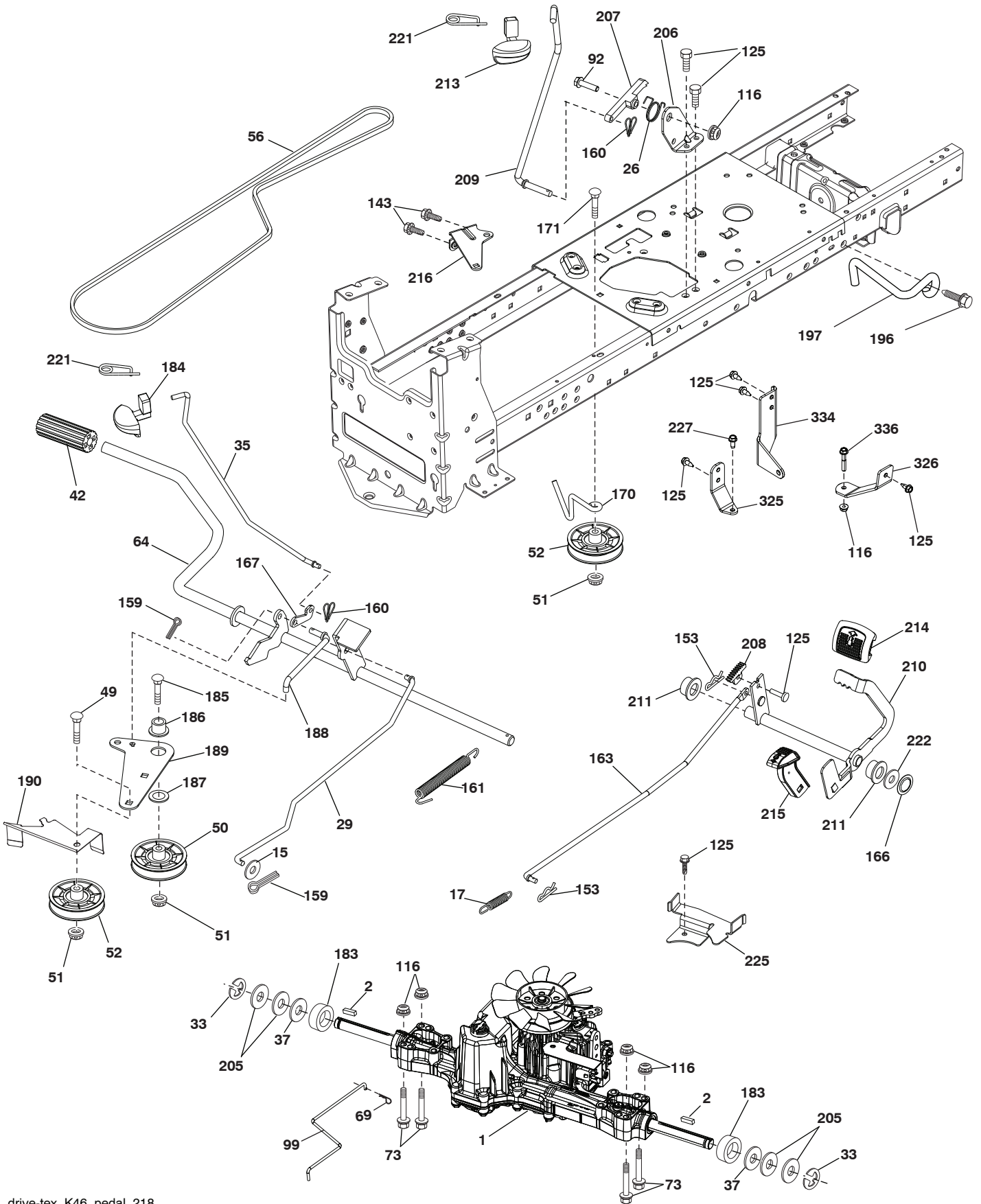
chassis-tex_GT HUSQ II_221

TRACTOR - MODELO NO. YTH24K48D (96043029700), PRODUCTO NO. 960 43 02-97 CHASIS

CÓDIGO PIEZA			CÓDIGO PIEZA		
No.	No.	DESCRIPCIÓN	No.	No.	DESCRIPCIÓN
3	532 44 44-81	Logo	206	532 43 97-29	Camisa de Capota (LI)
5	590 74 00-11	Tablero	207	585 42 00-02	Bisel derecho
14	532 44 11-77	Capota	208	585 42 01-02	Bisel izquierdo
15	585 42 03-01	Lente izquierdo de la parrilla	213	539 97 69-34	HCS 5/16-18 x 3/4 Gr. 5 ZD
18	587 52 34-01	Parrilla	214	532 19 91-45	Cierre
25	585 42 02-01	Lente derecho de la parrilla	217	532 40 91-67	Varilla giratoria de Capota
34	580 91 08-01	Chapa Motor	218	532 19 63-95	Tope
36	817 06 05-12	Tornillo de 5/16-18 x 3/4	228	532 19 51-61	Sujetador del travesaño
37	532 44 12-66	Guardabarros	223	532 19 65-39	Perno de tope
52	873 68 05-00	Tuerca de presión 5/16	233	532 19 65-39	Perno de tope
68	539 99 08-58	Tornillo de 5/16-18 x 1/2	235	532 40 61-29	Separador del guardabarros
125	581 68 48-01	Cierre	236	873 93 05-00	Tuerca de presión 5/16-18 unc
130	532 41 63-58	Tornillo No. 10 x 0,75	282	532 41 41-10	Pinzas de retención
137	532 40 75-90	Cubierta Tablero	283	532 43 98-23	Consola cubierta de levantamiento
146	581 85 79-01	Perno	284	532 44 20-39	Consola de control
150	532 43 97-74	Cubierta térmica del conducto	285	532 41 63-15	Consola de inserto (LI)
151	532 43 66-70	Soporte	286	532 41 63-17	Consola de inserto (LD)
152	532 43 98-70	Protector contra oscurecimiento	287	817 60 04-06	Tornillo de 1/4-20 x 3/8
162	532 14 24-32	Tornillo	296	585 42 05-01	LED luz (LD)
175	590 60 77-02	Travesaño	297	586 18 29-01	Parrilla reflector (LI)
177	532 19 52-28	Buje de dirección	299	585 42 04-01	LED lux (LI)
180	532 19 54-57	Chasis	306	873 90 06-00	Tuerca
182	532 40 68-59	Tablero inferior	335	532 44 82-04	Cubierta del tablero inferior (LD)
183	874 52 05-20	Perno 5/16-18 x 1-1/4	336	532 44 53-09	Cubierta del tablero inferior (LI)
189	817 00 05-12	Tornillo 5/16-18 X 3/4	350	532 44 51-43	Cierre del árbol de navidad
191	586 18 28-01	Parrilla reflector (LD)	375	586 90 82-01	Cubierta Capota
194	873 90 05-00	Tuerca de presión de 5/16-18	378	590 84 98-01	Buje de con brida
195	532 40 41-37	Tapón	- -	532 43 18-82	Montaje del protector del cepillo
199	532 41 34-85	Chapa cubierta			
202	532 43 97-28	Salida de Ventilación (LD)			
203	532 43 97-27	Salida de Ventilación (LI)			
204	532 43 57-14	Salida de Ventilación superior			
205	532 43 97-30	Camisa de Capota (LD)			

NOTA: Las dimensiones de todos los componentes están expresadas en pulgadas americanas. 1 pulgada = 25,4 mm

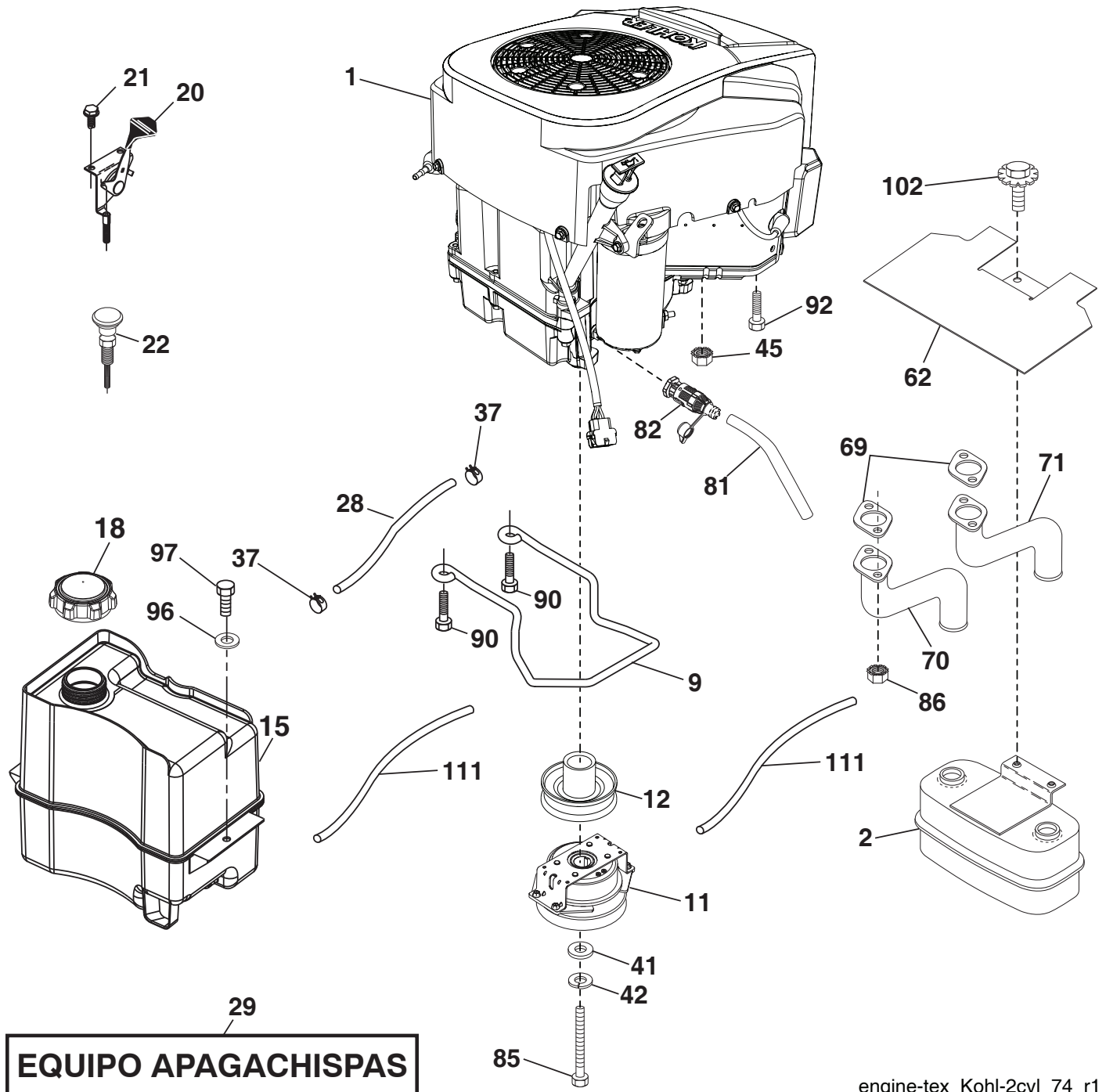
TRACTOR - MODELO NO. YTH24K48D (96043029700), PRODUCTO NO. 960 43 02-97
TRANSMISIÓN



TRACTOR - MODELO NO. YTH24K48D (96043029700), PRODUCTO NO. 960 43 02-97 TRANSMISIÓN

CÓDIGO No.	PIEZA No.	DESCRIPCIÓN	CÓDIGO No.	PIEZA No.	DESCRIPCIÓN
1	---	Transeje, TUFFTORQ K46CR (501051401) (Haga el pedido de las piezas al fabricante del transeje.)	171	872 11 06-16	Perno
2	532 12 35-83	Cuña	183	532 13 70-57	Separador del eje
15	819 13 13-16	Arandela de 13/32 x 13/16 x calibre 16	184	587 65 37-01	Manija del freno de mano
17	532 41 36-78	Resorte de freno	185	872 11 06-22	Perno
26	532 19 96-79	Crucero con retorno de muelle	186	532 19 43-21	Espaciador de retención
29	532 40 38-06	Varilla del freno	187	819 13 32-10	Arandela
33	812 00 00-01	Aro E	188	582 21 70-01	Mecanismo de desplazamiento de la varilla de mando del embrague del largo
35	590 60 59-01	Varilla del freno de mano	189	532 19 43-17	Palanca acodada del mecanismo de desplazamiento
37	532 18 89-67	Arandela	190	532 19 43-18	Sujetador de la palanca acodada del mecanismo de desplazamiento
42	532 12 48-72	Cubierta del pedal	196	817 00 06-16	Tornillo 3/8-16 x 1
49	872 11 06-14	Perno	197	585 65 86-01	Embrague
50	532 19 43-27	Polea loca plana	205	532 12 17-48	Arandela de 25/32 x 1-5/8 calibre 16
51	873 90 06-00	Tuerca de presión de 3/8-16	206	532 44 85-96	Soporte de montaje del bloqueo del crucero
52	532 19 43-26	Polea loca con ranura en V con un desplazamiento	207	587 03 14-01	Bloqueo del control del crucero
56	532 13 09-69	Correa trapezoidal de la transmisión	208	532 19 78-69	Engranaje del sector de control del crucero
64	532 19 78-65	Ensamble del eje Control del pedal de freno	209	590 52 78-01	Varilla de control del crucero
69	532 42 33-03	Zinc suave horquilla .059 x 1.125	210	532 40 09-80	Ensamble del control del pedal
73	874 49 05-40	Perno de 5/16-18 x 2 1/2 G.5	211	532 12 01-83	Rodamiento de nylon
92	874 76 05-20	Perno de cabeza hexagonal con aleta de 5/16-18 unc x 1,25	213	532 40 31-19	Perilla de control del crucero
99	582 40 45-01	Varilla de Derivación LT K46, K57	214	532 42 12-63	Forro del pedal para avanzar
116	873 90 05-00	Tuerca de presión hexagonal con brida de 5/16-18	215	586 60 65-02	Forro del pedal para retroceder
125	817 00 05-12	Tornillo de 5/16-18 x 3/4	216	532 19 61-31	Soporte del Polea
143	539 99 08-58	Tornillo de 5/16-18 x 1/2	221	532 40 31-87	Abrazadera de retención del resorte de la manija
153	532 12 47-88	Retén del resorte	222	879 21 20-10	Arandela de 21/32 x 1-1/4 calibre 10
159	876 02 04-12	Pasador de chaveta de 1/8 x 3/4	225	532 40 33-19	Sujetador de la correa
160	532 16 94-84	Abrazadera de retención	227	817 49 05-12	Tornillo
161	532 10 57-09	Resorte de retorno del embrague	325	585 66 85-02	Soporte
163	532 44 82-75	Varilla de control	326	585 67 08-02	Soporte
166	532 42 91-64	Tuerca de presión	334	585 88 22-01	Support de tige de stabilisation
167	532 40 52-57	Pestillo del freno de mano	336	587 25 96-01	Perno 5/16 - 18 x 1-3/4
170	532 19 43-22	Sujetador de la correa			

NOTA: Las dimensiones de todos los componentes están expresadas en pulgadas americanas. 1 pulgada = 25,4 mm



EQUIPO APAGACHISPAS

engine-tex_Kohl-2cyl_74_r1

**TRACTOR - MODELO NO. YTH24K48D (96043029700), PRODUCTO NO. 960 43 02-97
MOTOR**

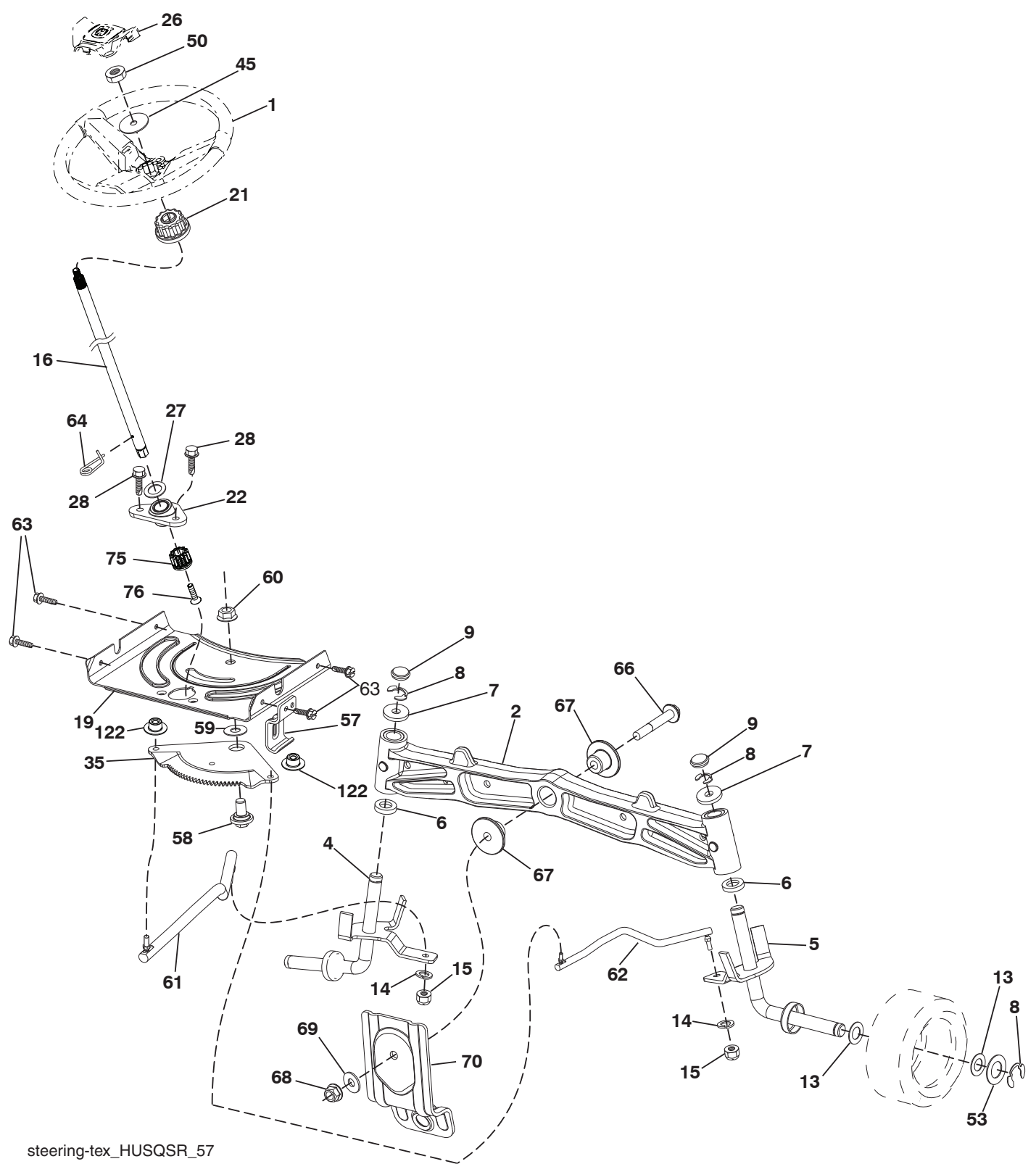
CÓDIGO No.	PIEZA No.	DESCRIPCIÓN
1	-----	Motor Kohl modelo No. KT735-3011 (585453201) (Haga el pedido de las piezas al fabricante del motor.)
2	532 44 59-62	Silenciador
9	501 83 26-02	Ensamble del sujetador de la correa del motor
11	587 24 16-01	Embrague
12	532 40 50-97	Polea del motor
15	532 43 30-05	Tanque de combustible
18	587 38 29-01	Ensamble de la tapa
20	532 18 29-37	Control del regulador
21	532 41 63-58	Tornillo No. 10 x 0,75
22	532 19 15-96	Control del obturador
28	532 40 11-35	Línea de combustible
29	532 13 71-80	Equipo apagachispas
37	532 12 34-87	Abrazadera de la manguera
41	532 12 61-97	Arandela
42	539 99 02-47	Arandela SLW. Std 7/16
45	873 51 04-00	Tuerca
62	532 43 40-17	Silenciador con pantalla térmica
69	532 18 60-54	Junta
70	583 95 45-01	Tubo de escape derecho
71	583 95 48-01	Tubo de escape izquierdo
81	532 14 84-56	Tubo
82	532 42 82-87	Enchufe
85	501 60 66-01	Perno de 7/16-20 x 3.75 grado 5
86	532 18 43-62	Tuerca brida hexagonal
90	817 00 06-16	Tornillo 3/8-16 x 1
92	817 12 06-16	Tornillo 3/8-16 x 1
96	819 09 14-16	Arandela de 9/32 x 7/8 x calibre 16
97	817 67 04-12	Tornillo 1/4-20 x 3/4
102	817 00 05-12	Tornillo 5/16-18 x 3/4
111	532 41 41-19	Línea de purga 3/16

NOTA: Las dimensiones de todos los componentes están expresadas en pulgadas americanas. 1 pulgada = 25,4 mm

Para realizar el mantenimiento del motor y para obtener repuestos, llame al número gratuito del fabricante de su motor que se enumera a continuación:

Kohler Co. 1-800-544-2444

TRACTOR - MODELO NO. YTH24K48D (96043029700), PRODUCTO NO. 960 43 02-97
ENSAMBLE DE LA DIRECCIÓN



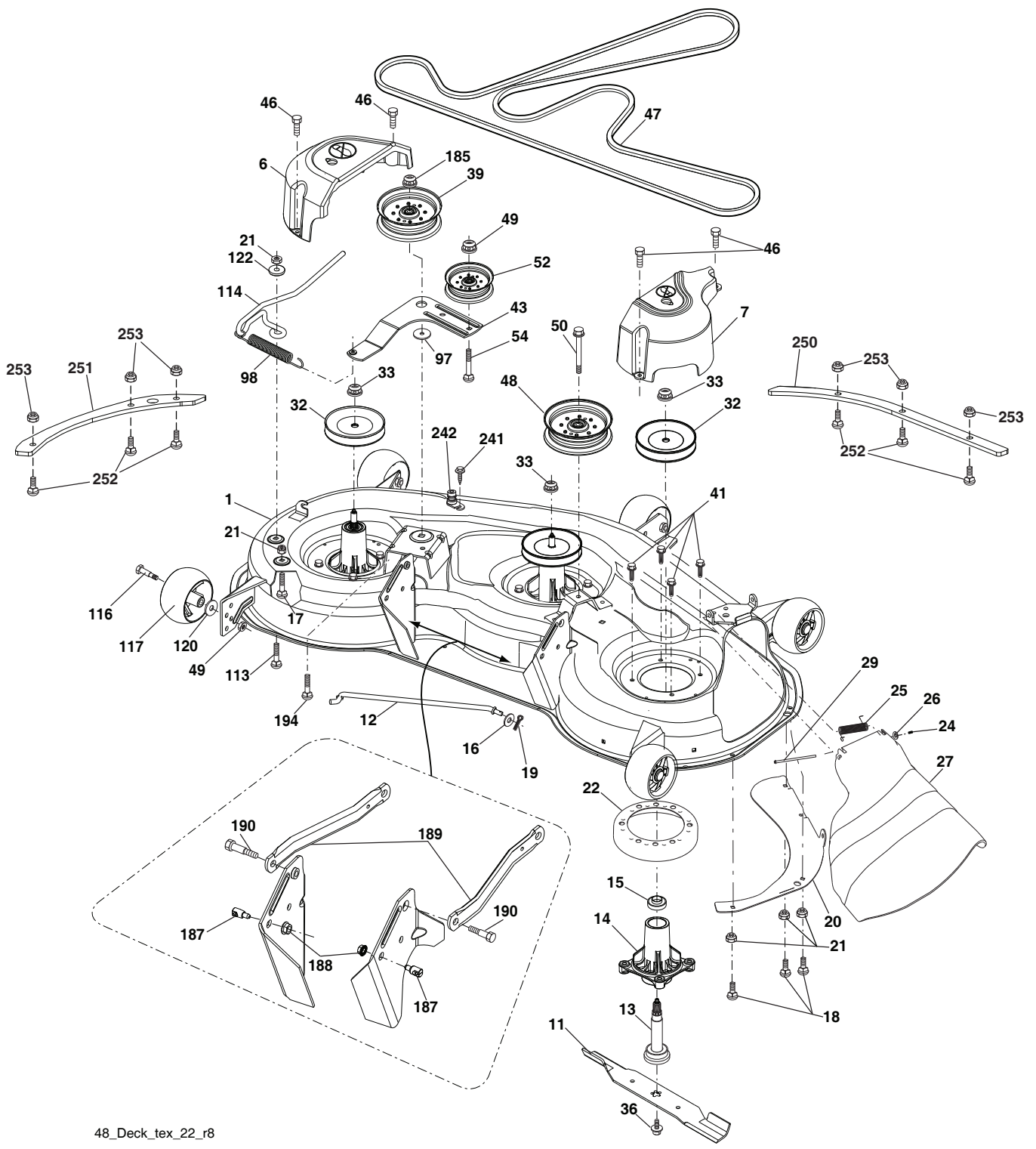
steering-tex_HUSQSR_57

**TRACTOR - MODELO NO. YTH24K48D (96043029700), PRODUCTO NO. 960 43 02-97
ENSAMBLE DE LA DIRECCIÓN**

CÓDIGO No.	PIEZA No.	DESCRIPCIÓN
1	532 43 97-40	Volante de dirección
2	532 19 59-68	Eje
4	532 40 30-87	Ensamble del husillo izquierdo
5	532 40 30-88	Ensamble del husillo derecho
6	532 12 49-31	Arandela
7	532 12 17-48	Arandela de 25/32 x 1-5/8 calibre 16
8	812 00 00-29	Abrazadera del aro No. T5304-75
9	532 12 12-32	Tapa del husillo
13	532 12 17-49	Arandela de 25/32 x 1-1/4 calibre 16
14	539 99 01-18	Arandela SLW. ZD 3/8
15	873 54 06-00	Tuerca corona de presión de 3/8-24 unf
16	587 01 60-02	Eje de dirección
19	532 19 47-29	Placa de dirección
21	586 84 02-01	Adaptador del volante de dirección
22	585 02 98-02	Rodamiento
26	532 43 97-43	Inserto del volante de dirección
27	819 21 16-16	Arandela
28	817 00 06-12	Tornillo de 3/8-16 x 3/4
35	532 19 47-32	Engranaje del sector de la placa
45	587 01 64-01	Arandela 3/8 ID 2-3/8 OD calibre 12 PLTD
50	873 90 06-00	Tuerca 3/8-16 unc
53	532 18 89-67	Arandela reforzada de 793 x 1637 x 0,060
57	532 19 72-46	Tope superior del soporte
58	532 19 47-47	Perno de tope del sector del pivote CFM
59	532 19 47-48	Arandela de empuje del sector de dirección
60	873 97 10-00	Tuerca de presión con brida de 5/8-11
61	588 79 44-02	Barra de acoplamiento izquierda
62	588 79 45-02	Barra de acoplamiento derecha
63	817 00 05-12	Tornillo de 5/16-18 x 3/4
64	532 19 98-49	Abrazadera de retención del resorte de la dirección
66	871 02 07-48	Perno de cabeza 7/16-14 x 3
67	532 19 47-37	Buje PM del eje delantero
68	873 90 07-00	Tuerca de presión con brida de 7/16-14 grado 5
69	532 19 91-62	Arandela de 1,5 x 0,505 x 0,118
70	585 33 88-01	Soporte de la plataforma delantera
75	580 68 37-01	Piñón
76	580 68 36-01	Tornillo
122	532 44 49-62	Tapa

NOTA: Las dimensiones de todos los componentes están expresadas en pulgadas americanas. 1 pulgada = 25,4 mm

TRACTOR - MODELO NO. YTH24K48D (96043029700), PRODUCTO NO. 960 43 02-97
PLATAFORMA DE LA CORTADORA DE CÉSPED



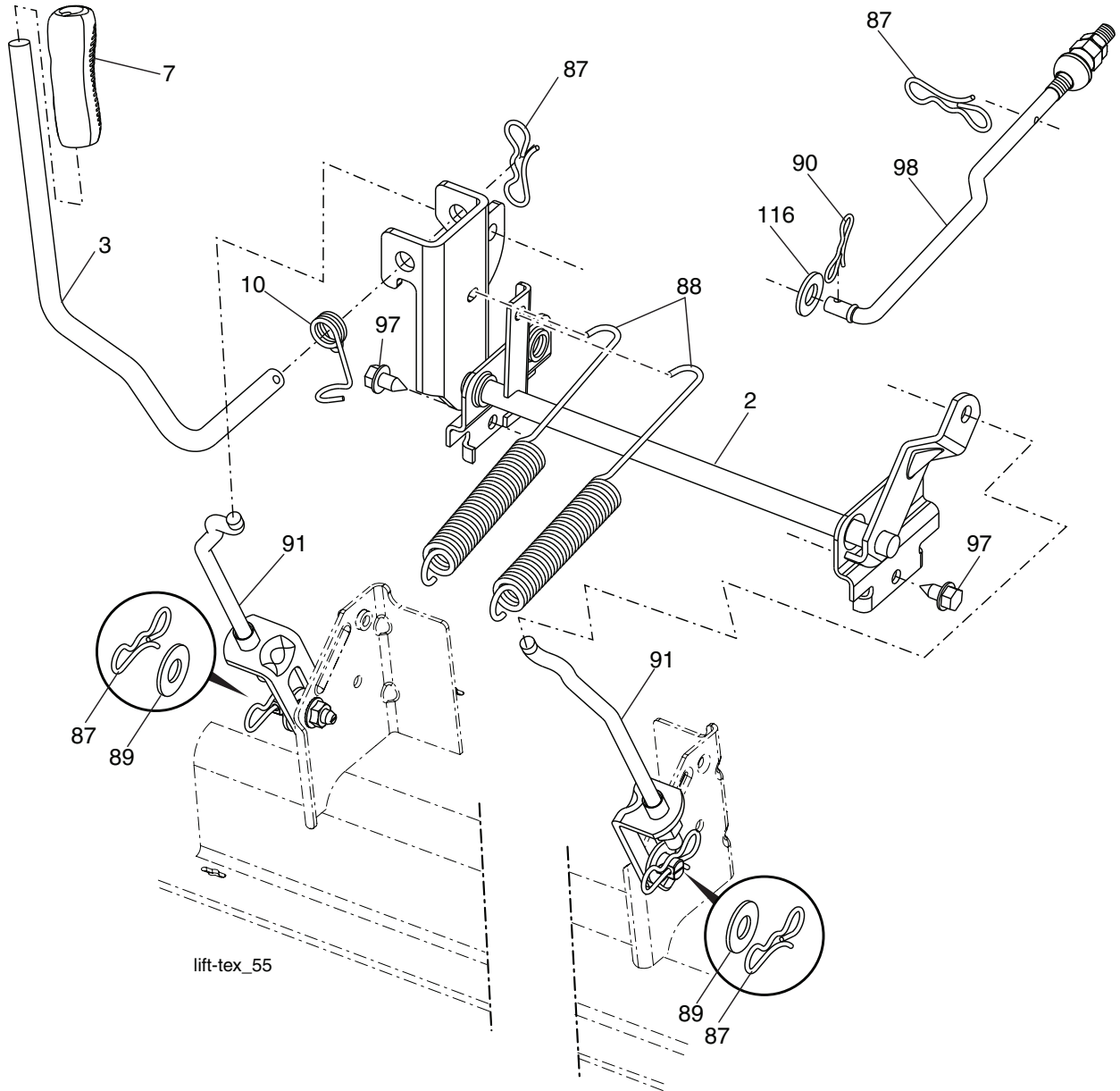
48_Deck_tex_22_r8

TRACTOR - MODELO NO. YTH24K48D (96043029700), PRODUCTO NO. 960 43 02-97 PLATAFORMA DE LA CORTADORA DE CÉSPED

CÓDIGO PIEZA		DESCRIPCIÓN	CÓDIGO PIEZA		DESCRIPCIÓN
No.	No.		No.	No.	
1	532 41 82-24	Kit de soldadura de cubierta SVC	98	532 19 61-05	Accionamiento por resortes
6	532 19 72-48	Cubierta izquierda del mandril	113	539 10 72-71	Perno 5/16-18 x 1 grado 5
7	587 45 24-01	Cubierta derecha del mandril	114	532 19 74-51	Varilla
11	532 18 00-54	Cuchilla de la cortadora	116	532 19 34-06	Perno de tope
12	532 40 48-51	Varilla	117	589 52 73-01	Calibrador de la rueda
13	587 25 64-01	Ensamble del eje. con rodamiento inferior	120	819 12 14-14	Arandela 5/16 plano STE STD ZD
14	532 18 72-81	Carcasa del mandril	122	532 18 75-57	Buje
15	585 32 39-01	Rodamiento de bolas del mandril	185	873 90 07-00	Tuerca de presión con brida 7/16-14 grado 5
16	819 13 13-12	Arandela 13/32 x 13/16 x calibre 12	187	532 19 51-61	Sujetador del travesaño
17	872 11 05-05	Perno 5/16-18 x 5/8	188	873 90 05-00	Tuerca de presión hexagonal con brida
18	872 14 05-05	Perno 5/16-18 unc x 5/8	189	587 14 05-02	Brazo de la suspensión trasera
19	532 19 42-08	Pasador de chaveta de 5/16 con bloqueo en forma de mariposa	190	532 19 65-39	Perno de tope
20	532 17 43-78	Torbellino de deflector	194	874 49 07-36	Perno 7/16-24
21	873 68 05-00	Tuerca 5/16-18 unc	241	532 15 29-27	Tornillo TT #10-32.5 3/8
22	532 17 44-93	Separador de mandril	242	532 41 55-98	Puerto de Lavado de la Cubierta
24	532 10 53-04	Tapa de la manga	250	585 31 80-05	Placa de refuerzo frontal
25	532 17 81-02	Resorte de torsión	251	585 32 24-05	Placa de refuerzo lateral
26	532 11 04-52	Tuerca	252	592 80 78-01	Perno 1/4-20 x 3/4 ZN cuello corto
27	532 18 17-07	Protector del deflector	253	873 90 04-00	Tuerca 1/4-20 unc
29	532 13 14-91	Varilla de la bisagra	--	587 12 54-01	Ensamble del Mandril (solo incluye la carcasa (#14), el ensamble del eje (#13) y el rodamiento (#15); no incluye la polea/tuerca/arandela ni los pernos/arandelas de la cuchilla)
32	532 15 35-32	Polea del mandril	--	532 41 64-05	Accesorio del conexión
33	532 40 02-34	Tuerca de presión con brida	--	532 41 82-23	Reemplazo de la cortadora de césped, completa
36	584 30 93-01	Tornillo 7/16-20 x 1			
39	532 19 73-80	Polea loca 4.50			
41	584 95 39-01	Perno 3/8-18 x 1.19			
43	532 19 60-65	Brazo de la polea			
46	532 13 77-29	Tornillo 1/4-20 x 5/8			
47	532 19 72-42	Correa de la transmisión			
48	532 19 73-79	Polea loca 4.50 RAW			
49	873 90 06-00	Tuerca de presión con brida 3/8-16 unc			
50	817 49 06-36	Tornillo TT 3/8-16 x 2-1/4			
52	532 19 31-97	Polea loca primaria 48"			
54	872 11 06-12	Perno 3/8-16 x 1-1/2 grado 5			
97	532 17 85-15	Arandela			

NOTA: Las dimensiones de todos los componentes están expresadas en pulgadas americanas. 1 pulgada = 25,4 mm

TRACTOR - MODELO NO. YTH24K48D (96043029700), PRODUCTO NO. 960 43 02-97
ELEVACIÓN DE LA CORTADORA DE CÉSPED



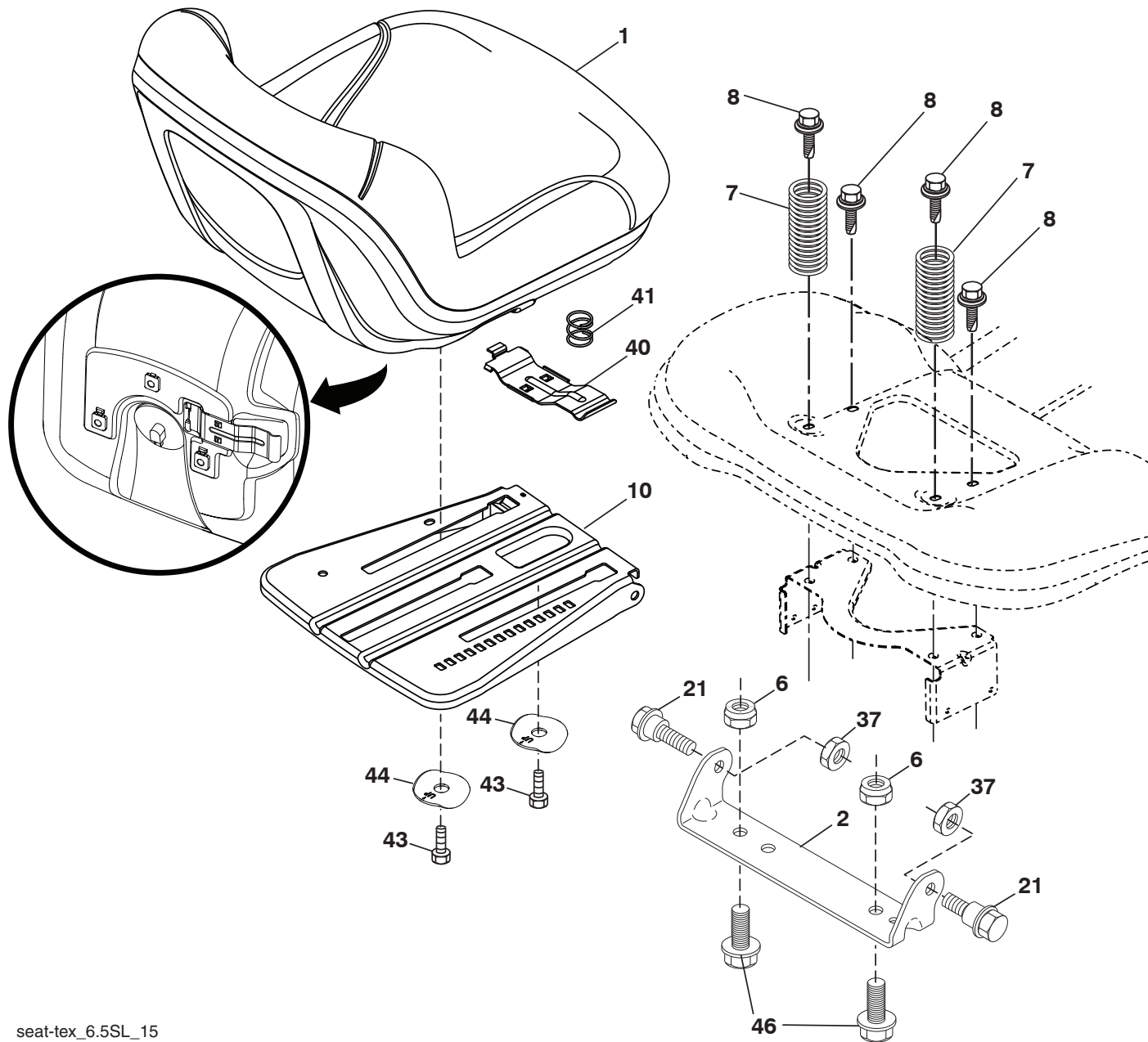
CÓDIGO No.	PIEZA No.	DESCRIPCIÓN
2	532 42 20-27	Ensamble del eje de la elevación
3	532 19 52-31	Ensamble de la palanca de elevación derecha
7	580 96 23-01	Mango de la palanca
10	532 19 63-14	Resorte de torsión
87	532 19 42-09	Pasador de chaveta de 7/16 con bloqueo en forma de mariposa
88	532 41 07-10	Resorte de ayuda de la elevación
89	819 19 19-12	Arandela de zinc transparente

CÓDIGO No.	PIEZA No.	DESCRIPCIÓN
90	532 19 42-08	Pasador de chaveta de 5/16 con bloqueo en forma de mariposa
91	532 19 51-81	Ensamble del acoplamiento
97	817 00 06-12	Tornillo de 3/8-16 x 0,75
98	532 19 52-64	Acoplamiento frontal de la elevación de la cortadora de césped
116	819 15 15-16	Arandela 15/32 x 15/16 x calibre 16

NOTA: Las dimensiones de todos los componentes están expresadas en pulgadas americanas. 1 pulgada = 25,4 mm

TRACTOR - MODELO NO. YTH24K48D (96043029700), PRODUCTO NO. 960 43 02-97

ENSAMBLE DEL ASIENTO



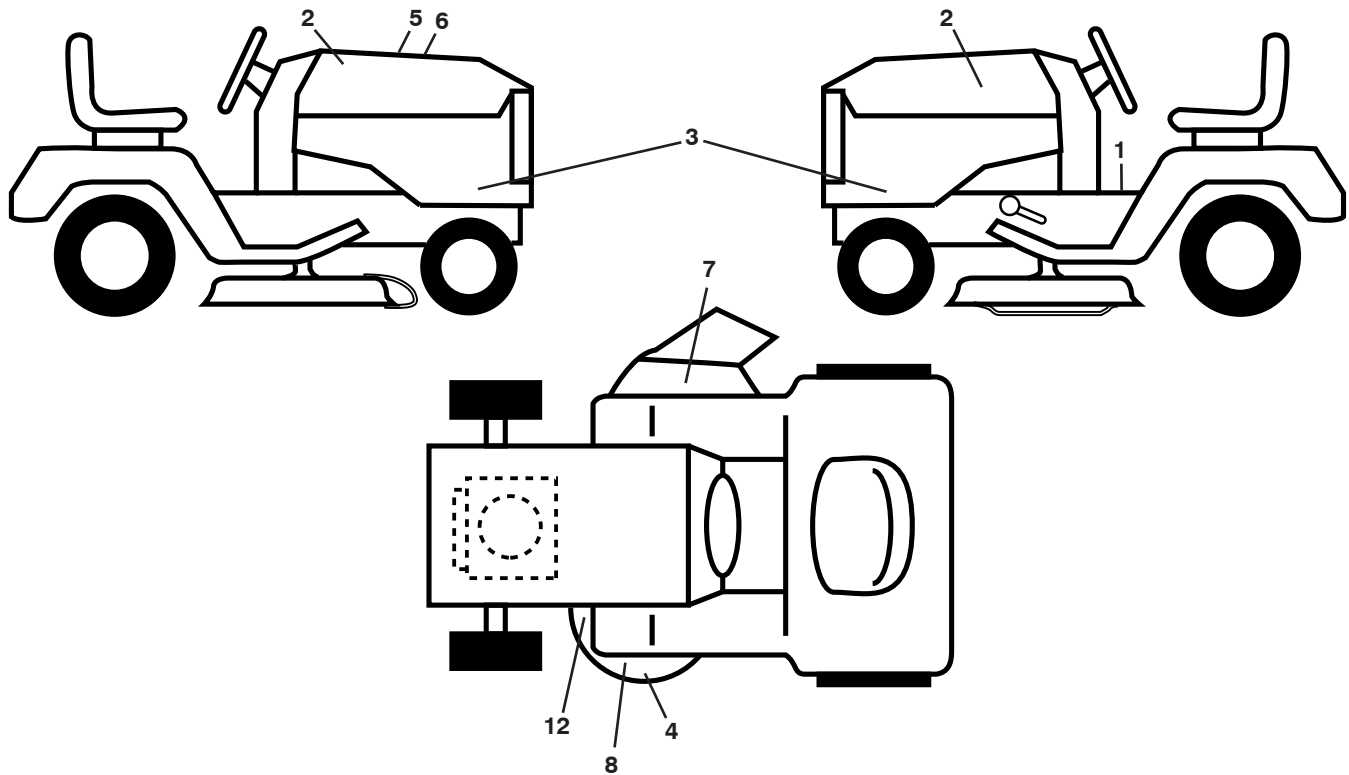
seat-tex_6.5SL_15

CÓDIGO No.	PIEZA No.	DESCRIPCIÓN
1	532 43 98-22	Asiento
2	532 18 01-66	Soporte pivotante del guardabarros
6	873 80 06-00	Tuerca de presión c/aislamiento de 3/8-16 unc
7	589 48 35-01	Resorte del asiento
8	532 17 18-77	Perno 5/16-18 unc x 3/4
10	587 23 20-02	Bandeja del asiento
21	587 90 78-01	Perno 5/16-18 x 5/8
37	873 80 05-00	Tuerca 5/16-18 unc

CÓDIGO No.	PIEZA No.	DESCRIPCIÓN
40	532 19 76-61	Manija para deslizar el asiento
41	532 19 82-00	Resorte para trabar el asiento
43	874 76 06-12	Perno 3/8-16 x 3/4
44	501 05 18-01	Arandela 13/32 x 2-3/8 x calibre 12
46	588 09 04-01	Perno 3/8-16 x 1, 1 25 OD

NOTA: Las dimensiones de todos los componentes están expresadas en pulgadas americanas. 1 pulgada = 25,4 mm

**TRACTOR - MODELO NO. YTH24K48D (96043029700), PRODUCTO NO. 960 43 02-97
CALCOMANÍAS**



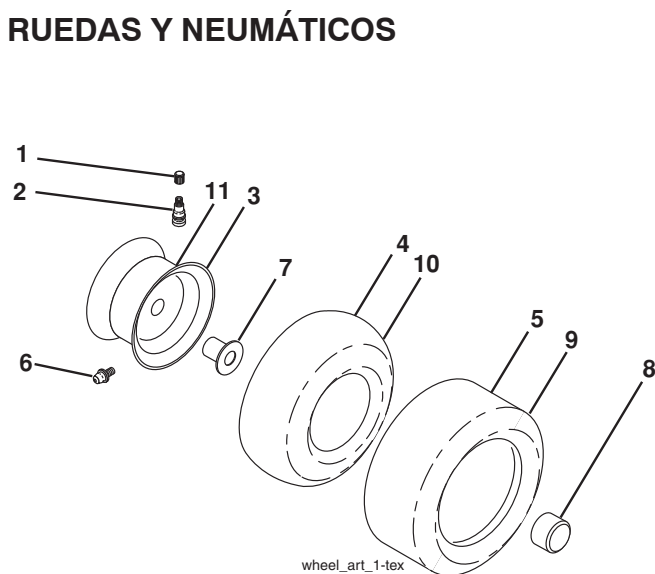
**CÓDIGO PIEZA
No. No.**

CÓDIGO PIEZA No.	No.	DESCRIPCIÓN
1	581 57 89-01	Calcomanía para el guardabarros
2	501 13 14-01	Calcomanía para la capota
3	596 86 78-01	Calcomanía para el panel capota
4	581 72 45-02	Calcomanía
5	532 42 38-29	Calcomanía del operador
6	593 35 73-01	Calcomanía de reemplazo
7	584 90 46-01	Calcomanía
8	585 71 44-01	Calcomanía
12	581 58 00-02	Calcomanía del diagrama de la cortadora de césped
--	581 72 48-01	Calcomanía para la desviación
--	581 57 90-01	Calcomanía, Guardabarros (Inglés/Francés)

**CÓDIGO PIEZA
No. No.**

CÓDIGO PIEZA No.	No.	DESCRIPCIÓN
--	532 43 96-81	Forro del apoyo para los pies (LI)
--	532 43 96-82	Forro del apoyo para los pies (LD)
--	114 09 71-49	Manual del Operario (Inglés/Español)
--	114 09 73-32	Manual del Operario (Francés)
--	114 09 72-49	Manual de Repuestos (Inglés/Español)
--	114 09 74-32	Manual de Repuestos (Francés)
--	587 71 00-26	Guía rápida (Inglés/Español)
--	587 71 01-26	Guía rápida (Inglés/Francés)

RUEDAS Y NEUMÁTICOS



**CÓDIGO PIEZA
No. No.**

CÓDIGO PIEZA No.	No.	DESCRIPCIÓN
1	532 05 91-92	Tapa de la válvula del neumático
2	532 06 51-39	Vástago de la válvula
3	532 13 83-36	Ensamble de las llantas delanteras
4	532 05 99-04	Cámaradelanteras (Mantenimientosólo)
5	532 10 62-22	Neumático delantero 15 x 6-6
6	532 12 49-57	Accesorio para engrasar (solo para la rueda delantera)
7	532 12 49-59	Rodamiento de la brida (solo para la rueda delantera)
8	532 17 50-39	Tapa del eje 1 50 x 1 00
9	532 12 20-82	Neumático 20 x 10-8
10	532 12 49-26	Cámara trasera (Mantenimiento sólo)
11	532 13 83-37	Ensamble trasero de la llanta 8"
--	532 14 43-34	Sellador para neumáticos (tubo de 10 onzas [283 gr])

NOTA: Las dimensiones de todos los componentes están expresadas en pulgadas americanas. 1 pulgada = 25,4 mm

SERVICE NOTES/AVISO



www.husqvarna.com