

Repair Parts Manual
Manual De Repuestos
YTA22V46 / 96045005300

Please read the operator's manual carefully and make sure you understand the instructions before using the machine.

Por favor lea cuidadosamente y comprenda estas instrucciones antes de usar esta maquina.



English/Spanish



HOW TO USE THIS MANUAL

This manual is designed to provide the customer with a means to identify the parts on his/her tractor when ordering repair parts. The illustrations may or may not represent the actual assemblies; therefore, it is not recommended to use this manual as a guide to assemble or disassemble the tractor. Some hardware and parts are drawn larger in order to more readily identify them.

Each tractor has its own model number. The model number for your tractor can be found on the fender under the seat.

Support / Help

If you require assistance or have questions concerning the application, operation, maintenance or parts for your product:

- Visit our website: www.husqvarna.com
- Call Us Toll Free: 1-800-487-5951

When ordering parts, always give the following information:

- Product - "TRACTOR"
- MODEL NUMBER - "YTA22V46" (96045005300)"
- Part Number
- Part Description

TABLE OF CONTENTS

SCHEMATIC	3
ELECTRICAL.....	4-5
CHASSIS	6-7
DRIVE.....	8-9
ENGINE.....	10-11
STEERING	12-13
MOWER DECK.....	14-15
MOWER LIFT.....	16
SEAT	17
DECALS.....	18

COMO UTILIZAR ESTE MANUAL

Este manual está diseñado para brindarle al comprador un medio para identificar las piezas del tractor para cuando necesite hacer el pedido de un repuesto. Las ilustraciones pueden o no representar los ensambles reales; por lo tanto, no se recomienda utilizar este manual como una guía para ensamblar o desarmar el tractor. Algunos accesorios y piezas están dibujados en tamaños más grandes para identificarlos con mayor facilidad.

Cada tractor tiene su propio número de modelo. El número de modelo del tractor se encuentra en el guardabarros debajo del asiento.

Soporte / Ayuda

Si necesita asistencia o tiene alguna pregunta acerca de la aplicación, operación, mantenimiento o piezas de su producto:

- Visite nuestro sitio web: www.husqvarna.com
- Llámenos de manera gratuita al: 1-800-487-5951

Cuando haga el pedido de una pieza, siempre brinde la siguiente información:

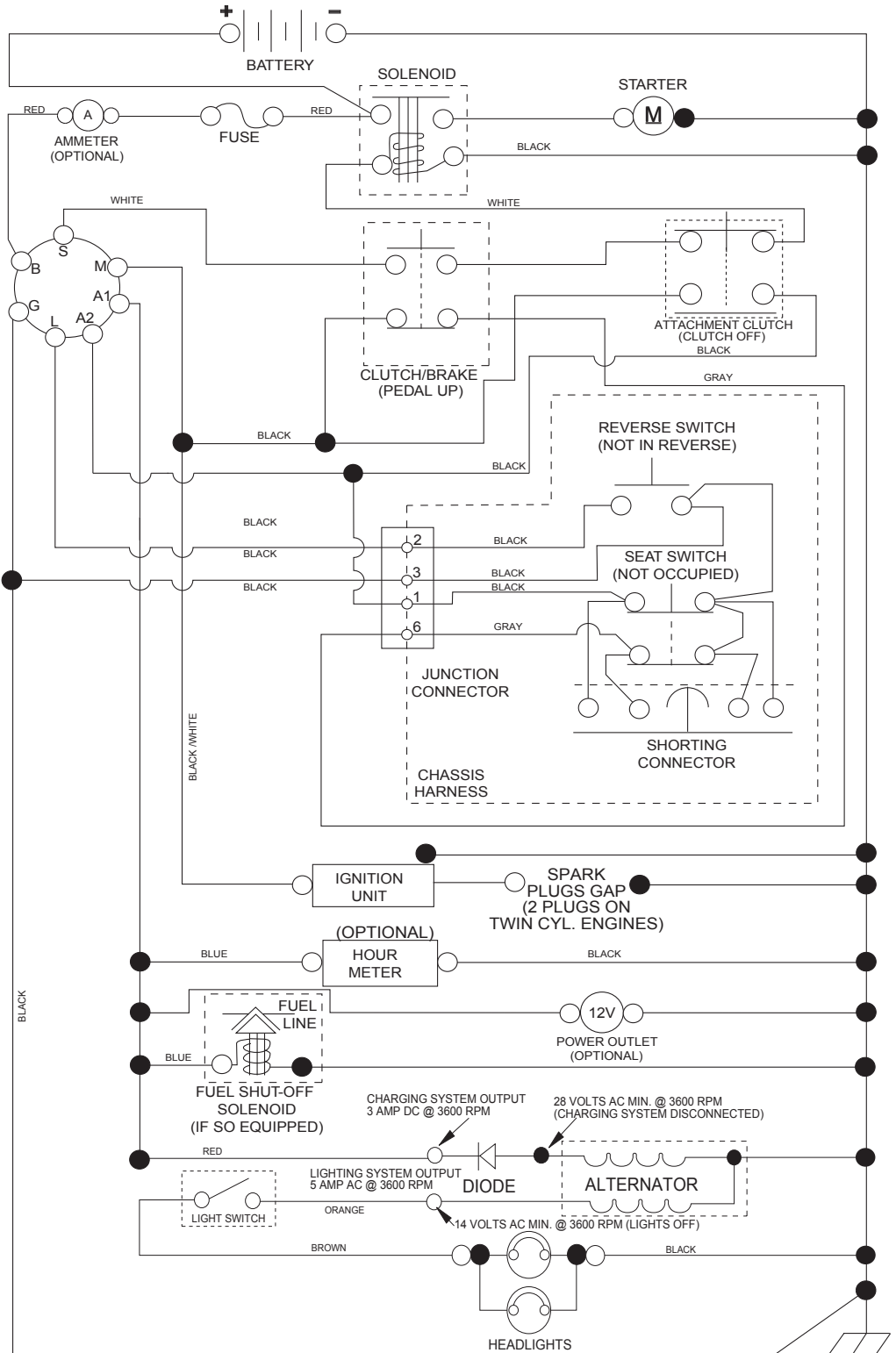
- Producto: "TRACTOR"
- NÚMERO DE MODELO: "YTA22V46" (96045005300)"
- Número de pieza
- Descripción de la pieza

ÍNDICE

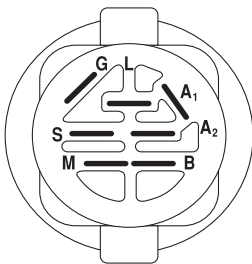
DIAGRAMA.....	19
DIAGRAMA ELÉCTRICO.....	20-21
CHASIS	22-23
TRANSMISIÓN	24-25
MOTOR.....	26-27
DIRECCIÓN	28-29
PLATAFORMA DE LA CORTADORA DE CÉSPED.....	30-31
ELEVACIÓN DE LA CORTADORA DE CÉSPED.....	32
ASIENTO.....	33
CALCOMANÍAS.....	34

TRACTOR - - MODEL NUMBER YTA22V46 (96045005300), PRODUCT NO. 960 45 00-53 SCHEMATIC

SCH11

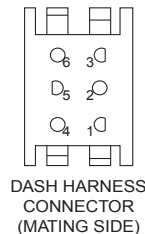
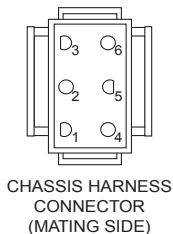


NOTE
YOUR TRACTOR IS EQUIPPED WITH A SPECIAL ALTERNATOR SYSTEM. THE LIGHTS ARE NOT CONNECTED TO THE BATTERY, BUT HAVE THEIR OWN ELECTRICAL SOURCE. BECAUSE OF THIS, THE BRIGHTNESS OF THE LIGHTS WILL CHANGE WITH ENGINE SPEED. AT IDLE THE LIGHTS WILL DIM. AS THE ENGINE IS SPEEDED UP, THE LIGHTS WILL BECOME THEIR BRIGHTEST.

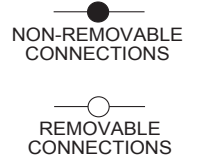


IGNITION SWITCH

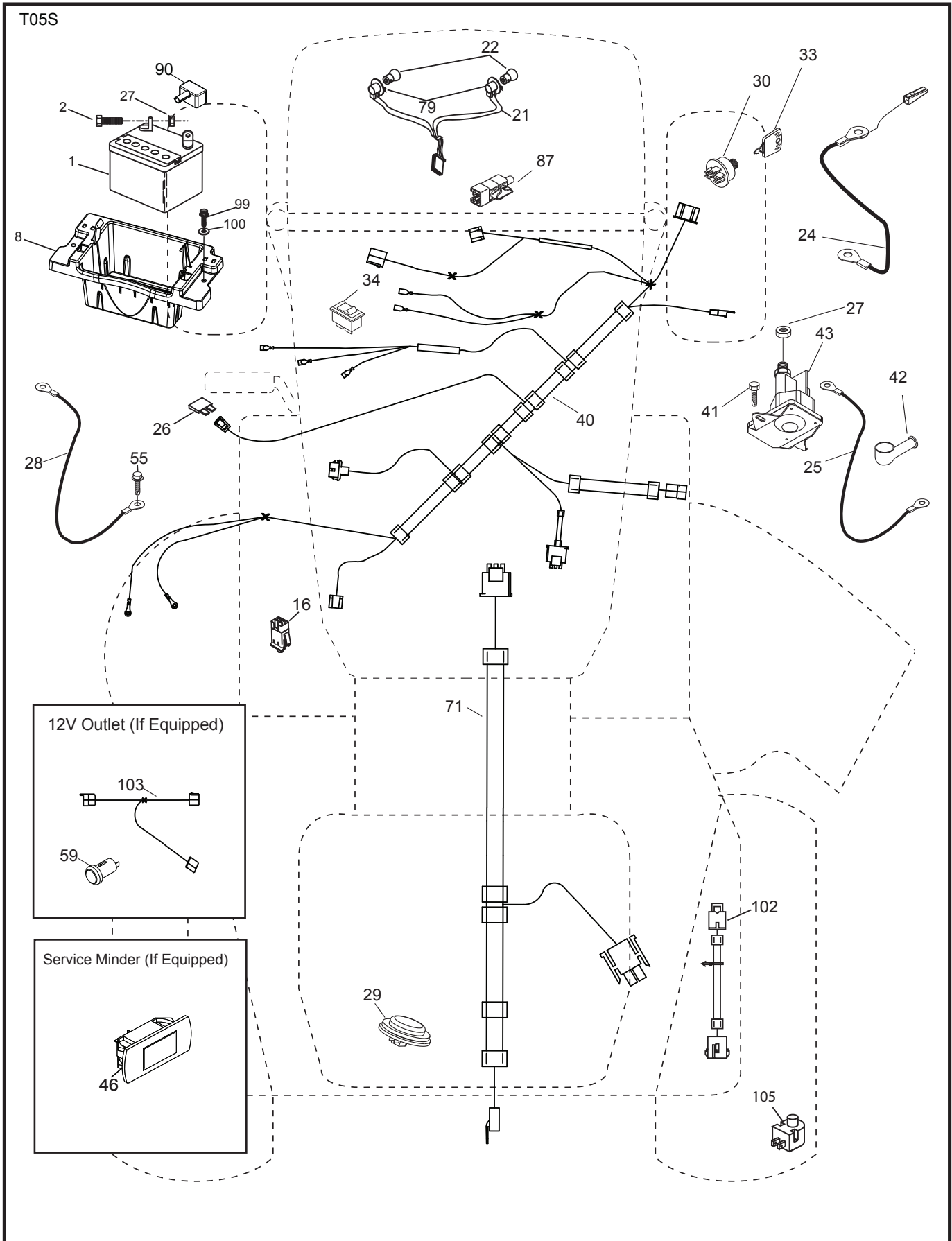
POSITION	CIRCUIT	"MAKE"
OFF	M+G+A1	
RUN/OVERRIDE	B+A1	
RUN	B+A1	L+A2
START	B + S + A1	



WIRING INSULATED CLIPS
NOTE: IF WIRING INSULATED CLIPS WERE REMOVED FOR SERVICING OF UNIT, THEY SHOULD BE RE-INSTALLED TO PROPERLY SECURE YOUR WIRING.



**TRACTOR - - MODEL NUMBER YTA22V46 (96045005300), PRODUCT NO. 960 45 00-53
ELECTRICAL**

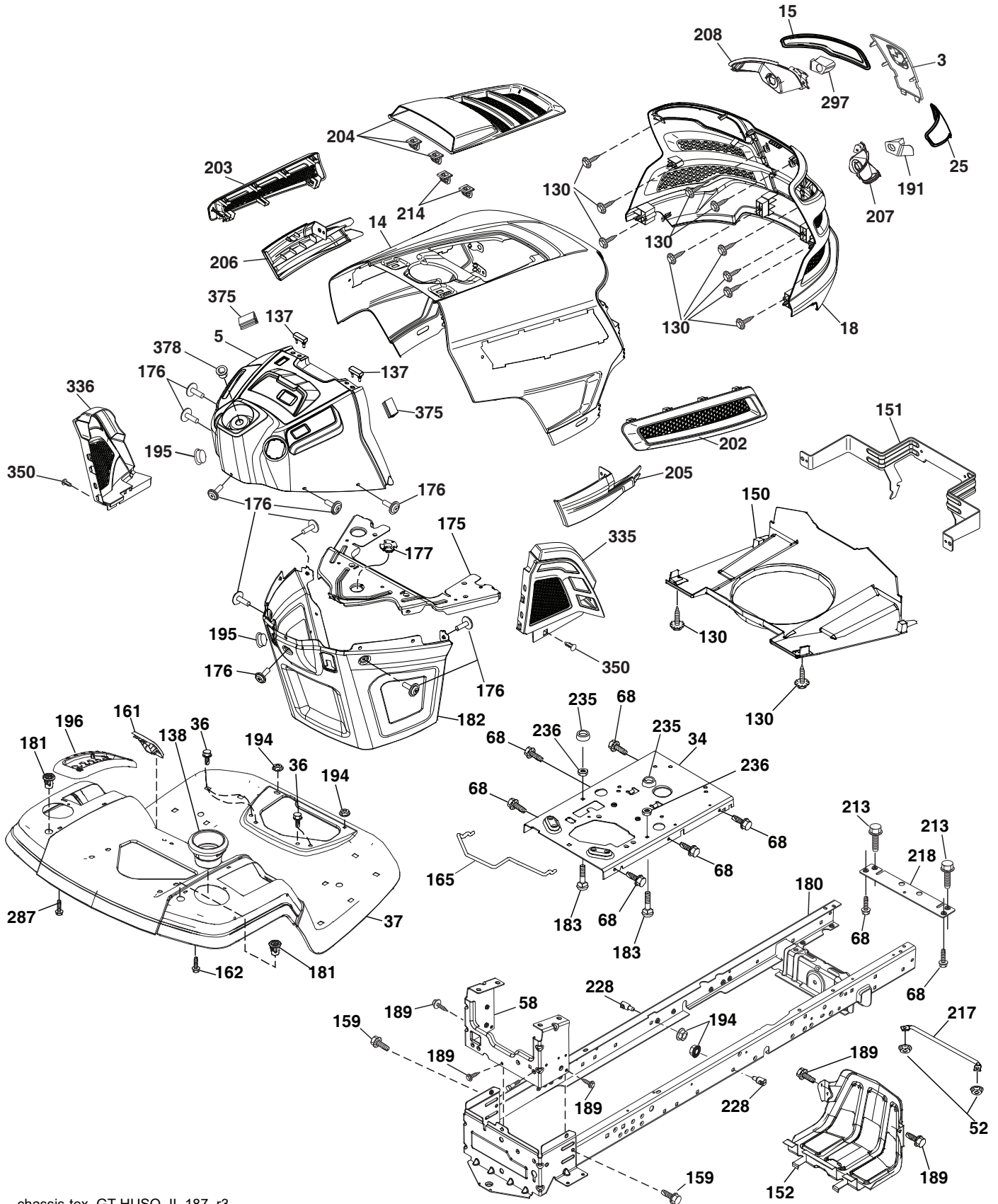


**TRACTOR - - MODEL NUMBER YTA22V46 (96045005300), PRODUCT NO. 960 45 00-53
ELECTRICAL**

KEY NO.	PART NO.	DESCRIPTION
1	532 16 34-65	Battery
2	874 76 04-12	Bolt Hex Head 1/4-20 x 3/4
8	532 41 41-26	Battery Tray
16	532 17 61-38	Switch Interlock Push-In
21	532 40 02-52	Harness Socket Light w/4152J
22	532 00 41-52	Bulb Light
24	585 55 56-01	Cable BTRY.
25	585 55 55-01	Cable Starter
26	532 17 51-58	Fuse
27	596 13 36-01	Locknut, Keps. 1/4-20
28	532 41 65-88	Cable, Ground
29	532 40 15-45	Switch, Seat
30	532 19 33-50	Switch, Ign
33	532 41 19-33	Key/Chain
34	532 11 07-12	Switch Light/Reset
40	501 13 30-01	Harness Ign. Dash
41	817 72 04-08	Screw Thd Cut 1/4-20 x 1/2
42	532 13 15-63	Cover, Terminal
43	582 04 28-02	Solenoid, W/Brass, Plunger, ZN
46	594 91 91-01	Hourmeter, Srvminder. Rect.
55	817 06 05-12	Screw Thdrol 5/16-18 x 3/4 TYTT
71	532 19 42-76	Harness Chassis
79	532 17 52-42	Socket Asm. Bulb
87	532 19 78-02	Switch Interlock
90	532 43 53-95	Cover Terminal
99	817 67 04-12	Screw 1/4-20 x 4
100	596 13 53-01	Washer, Plain 9/32 x 7/8 Clr. Zn.
102	581 02 34-01	Harness Pigtail
105	532 40 75-68	Switch Reverse

NOTE: All component dimensions given in U.S. inches
1 inch = 25.4 mm

**TRACTOR - - MODEL NUMBER YTA22V46 (96045005300), PRODUCT NO. 960 45 00-53
CHASSIS**



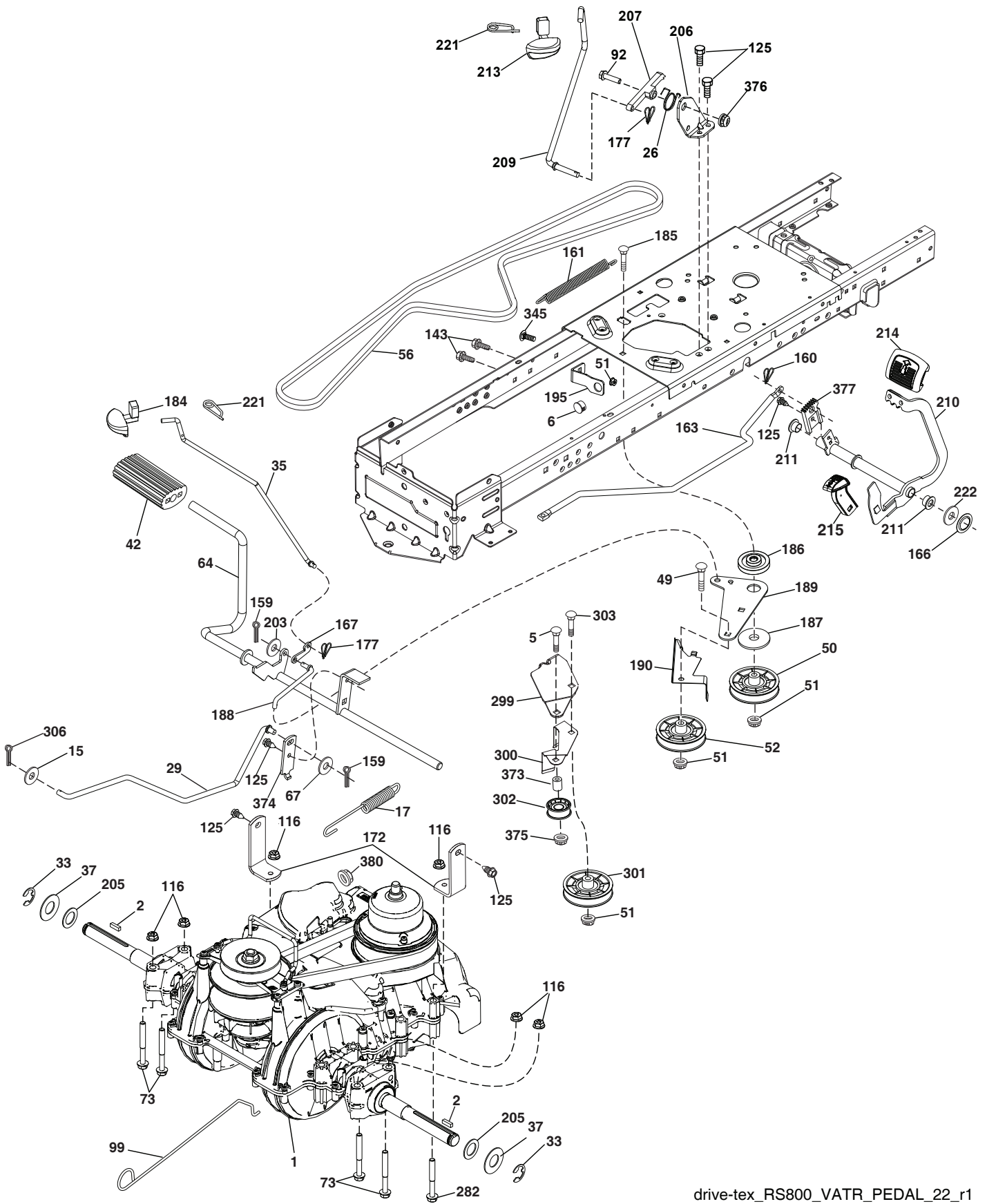
chassis-tex_GT HUSQ_II_187_r3

**TRACTOR - - MODEL NUMBER YTA22V46 (96045005300), PRODUCT NO. 960 45 00-53
CHASSIS**

KEY NO.	PART NO.	DESCRIPTION	KEY NO.	PART NO.	DESCRIPTION
3	532 44 44-81	Applique Sub Asm.	191	532 43 74-55	Insert Reflective RH
5	590 74 88-18	Dashboard, Upper, Asm. Gt2 x 498	194	596 13 57-01	Nutlock, Prvl, Torq. 5/16-18 x .68
14	532 44 11-77	Hood	195	532 40 41-37	Plug Hole Dash Lower
15	532 43 97-33	Lens LH	196	532 43 96-47	Console Asm. Deck Lift
18	587 52 34-01	Grill Husqvarna, Gray, Gt2.	202	532 43 97-28	Vent Side Hood RH
25	532 44 33-85	Lens RH	203	532 43 97-27	Vent Side Hood LH
34	580 91 08-01	Plate Engine	204	587 48 58-01	Vent, Top, Asm.
36	817 06 05-12	Screw 5/16-18 x 3/4	205	532 43 97-30	Skirt Hood Side RH
37	532 44 12-69	Fender	206	532 43 97-29	Skirt Hood Side LH
52	596 04 05-01	Nutlock, Hex. Prvl. 5/16-18	207	587 46 48-01	Headlight, Cup, Bezel, Hus. RH
68	596 03 07-01	Screw, Hexagon, 5/16-18 x 1/2	208	587 46 45-01	Headlight, Cup, Bezel, Hus. LH
130	596 32 17-01	Screw, #10 x 0.750 BOS Thread	213	596 03 05-01	Bolt, Hex. Hd. 5/16-18 unc x 3/4
137	532 40 75-90	Bumper Dash	214	532 19 91-45	Clip Retainer Tinner
138	532 43 97-47	Cupholder	217	532 40 91-67	Rod Pivot
150	532 43 97-74	Air Duct	218	532 19 63-95	X-Piece Hood Stop
151	532 43 66-70	Bracket Pivot	228	593 82 40-01	Stud, W/"D" Anti-rotation
152	532 43 98-70	Shield Browning	235	596 56 42-01	Spacer, Fender, Clr. Zn
159	817 00 06-12	Screw Hexwsh Thrd 3/8-16 x 3/4	236	873 93 05-00	Nut Lock 5/16-18 unc
161	532 43 97-81	Fuel Window	287	817 60 04-06	Screw 1/4-20 x 3/8
162	596 13 41-01	Screw, Hex. Tap. 1/4-15 x 1/2	297	532 43 74-56	Insert Reflective LH
165	532 19 68-26	Support Tank Rear	335	532 44 82-04	Cover Lower Dash RH
175	590 60 77-02	Plate, Pnt. Crossmember Husq/Pre	336	532 44 53-09	Cover Lower Dash LH
176	532 40 07-76	Screw 10-24 x 5/8	350	532 44 51-43	Clip X-mas Tree
177	532 19 52-28	Bushing Steering	375	586 90 82-01	Dash Clip-On Bumper
180	532 41 50-63	Chassis	378	590 84 98-01	Bushing, Flange, Plastic
181	532 43 97-46	Bushing Mtg. Fender Crgo			
182	532 40 68-59	Dash Lower			
183	595 30 57-01	Screw, Hexagon, 5/16-18 x 1-1/4			
189	817 00 05-12	Screw 5/16-18 x 3/4			

NOTE: All component dimensions given in U.S. inches
1 inch = 25.4 mm

TRACTOR - - MODEL NUMBER YTA22V46 (96045005300), PRODUCT NO. 960 45 00-53
DRIVE



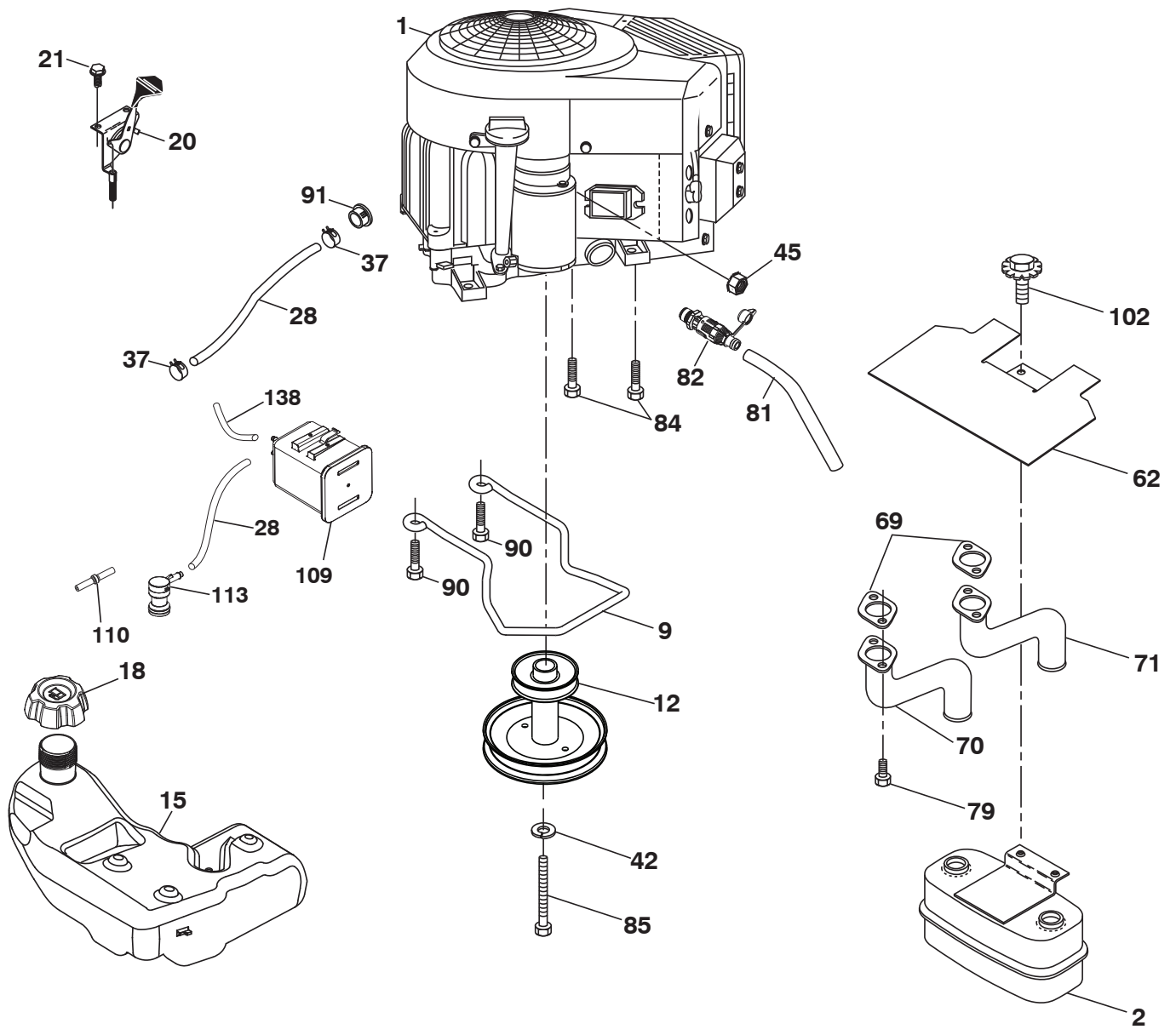
drive-tex_RS800_VATR_PEDAL_22_r1

**TRACTOR - - MODEL NUMBER YTA22V46 (96045005300), PRODUCT NO. 960 45 00-53
DRIVE**

KEY PART NO.	PART NO.	DESCRIPTION	KEY PART NO.	PART NO.	DESCRIPTION
1	---	Transmission, Variator SD Pdeal (590277501) (Order parts from transaxle manufacturer.)	185	872 11 06-22	Bolt Rdhd 3/8-16 unc x 2-3/4 Gr.5
2	532 12 35-83	Key Square	186	532 19 43-21	Spacer Retainer
5	874 76 06-36	Bolt Hex HS 3/8-16 unc	187	596 13 55-01	Washer, 13/32 x 2 Clear, Zinc
6	532 12 40-28	Bushing Snap	188	582 21 70-01	Link Clutch Ground Drive Long
15	596 56 53-01	Washer, 3/8 x 0.08 in. St. Clr. Zinc	189	532 19 43-17	Bellcrank Groundrive Nstg/Nstl
17	501 48 71-01	Spring Brake	190	532 19 43-18	Keeper Bellcrank Drive Ground
26	532 19 96-79	Spring Return Cruise	195	581 50 46-01	Brake Bracket
29	584 82 31-01	Rod Brake	203	596 20 41-01	Washer, 11/32 x 11/16 x14
33	812 00 00-01	E-Ring	205	532 12 17-48	Washer 25/32 x 1-5/8 x 16 Ga.
35	590 60 59-02	Rod, PrkngPrk, Gt, Husq/Pred Raw	206	532 44 85-96	Bracket Mount Latch Cruise
37	532 18 89-67	Washer Harden .793 x 1.637 x 060	207	532 44 82-64	Latch Control Cruise
42	532 00 88-83	Cover, Pedal, Blk. Round	209	590 52 78-02	Rod, Control, Cruise, Gt. Husq/Prd
49	596 13 62-01	Bolt, Cup Head, 3/8-16 x 3/4	210	588 92 10-02	Weldment Pedal
50	532 19 43-27	Idler.Flat	211	532 12 01-83	Bearing Nylon
51	873 90 06-00	Nut Hex Flangelock 3/8-16	213	532 40 31-19	Knob Control Cruise
52	532 19 43-26	Idler V-Groove Offset	214	532 42 12-63	Pedal Forward Pad
56	592 85 50-01	Belt, Drive, Variator	215	591 10 01-01	Cap Pedal Reverse
64	589 67 14-01	Shaft VATR. Pedal Brake	221	532 40 31-87	Retainer Spring Clip Handle
67	582 58 01-01	Washer Nylon 13/32 x 13/16 x .109	222	879 21 20-10	Washer 21/32 x 1-1/4 10 Ga.
73	595 31 66-01	Bolt, Hhd. W/Flange 5/16-18 Gr. 5	282	874 49 05-48	Screw Thdrol 5/16-18 x 3
92	595 30 57-01	Screw, Hexagon, 5/16-18 x 1-1/4	299	532 41 56-83	Bracket Mount Idler
99	532 43 59-35	Rod Bypass	300	532 41 56-81	Keeper Idler Rear
116	596 13 57-01	Nutlock, Prvl. Torq. 5/16-18 x .68	301	532 41 56-80	Pulley Idler V-Groove
125	817 00 05-12	Screw 5/16-18 x 3/4 Smgml Tap/Bl	302	581 42 05-01	Pulley Idler Flat 2.0 Od
143	596 03 07-01	Screw, Hexagon, 5/16-18 x 1/2	303	872 11 06-18	Bolt Rdhd Sgnk 3/8-16 x 2-1/4
159	596 02 95-01	Pin, Cotter, 1/8 Dia. x 3/4	306	596 02 96-01	Pin, Cotter 1/8 Dia x 1.00
160	596 02 94-01	Clip, Retainer, "M-Shape"	345	596 13 60-01	Bult, Cup, Head 3/8-16 x 3/4
161	532 10 57-09	Spring Return Clutch 6.75	373	581 46 18-01	Spacer Idler
163	587 84 79-02	Rod Control Pedal	374	581 47 52-01	Bracket Brake Arm
166	532 42 91-64	Nut Push .625	375	596 32 26-01	Nut, Crownlock 3/8-16 unc
167	532 40 52-57	Latch Brake Parking	376	532 42 65-89	Nut Flange
172	583 97 42-02	Strap Torque LH/RH	377	588 89 64-01	Gear Sector
177	587 22 53-01	Pin, Cotter, Locking, Bowtie, 1 In.	380	582 47 86-02	Nut Flg. Nylock 1/4-20 Gr. G
184	587 65 37-01	Handle Parking Brake			

NOTE: All component dimensions given in U.S. inches
1 inch = 25.4 mm

TRACTOR - - MODEL NUMBER YTA22V46 (96045005300), PRODUCT NO. 960 45 00-53
ENGINE



SPARK ARRESTER KIT

engine-tex_bs-2cyl_177

**TRACTOR - - MODEL NUMBER YTA22V46 (96045005300), PRODUCT NO. 960 45 00-53
ENGINE**

KEY NO.	PART NO.	DESCRIPTION
1	— — — — —	Engine B&S Model No. 44N677-0005-G1 (587639101)(Order parts from engine manufacturer.)
2	589 81 87-01	Muffler
9	582 54 03-02	Keeper Belt Engine
12	532 40 51-40	Pulley Engine
15	599 83 76-01	Fuel, Tank, Asm. 3 Gal. Rr 2020
18	599 50 22-01	Fuel, Cap, Asm. 3" W/Grease
20	532 42 35-02	Control Throttle
21	596 32 17-01	Screw, #10 x 0.750 BOS Thread
28	532 40 11-35	Fuel Line
29	532 13 71-80	Spark Arrester Kit
37	532 12 34-87	Clamp Hose
42	596 23 89-01	Washer, 7/16 in. Clr. Zn
45	596 13 36-01	Locknut, Keps. 1/4-20
62	532 43 40-17	Shield Heat Muffler
69	532 16 53-91	Gasket
70	581 88 11-01	Tube Exhaust LH
71	581 88 10-01	Tube Exhaust RH
79	596 13 42-02	Screw, Hex. Socket, 5/16-18 x 1 Clr. Zn.
81	532 14 84-56	Tube Drain Oil Easy
82	532 42 82-87	Valve Oil Drain
84	817 06 06-20	Screw 3/8-16 x 1
85	501 60 65-01	Bolt Hex 7/16-20 x 4 Gr. 5-1.5
90	817 00 06-16	Screw 3/8-16 x 1
91	532 18 74-95	Bushing
102	817 00 05-12	Screw 5/16-18 x 3/4
109	532 41 41-14	Canister Carbon Filter
110	532 41 41-18	Valve Asm. Anti-Slosh
113	532 41 41-27	Valve Slant Cartrdg.
138	596 94 15-01	Tube, Purge, Fuel .1875"

NOTE: All component dimensions given in U.S. inches
1 inch = 25.4 mm

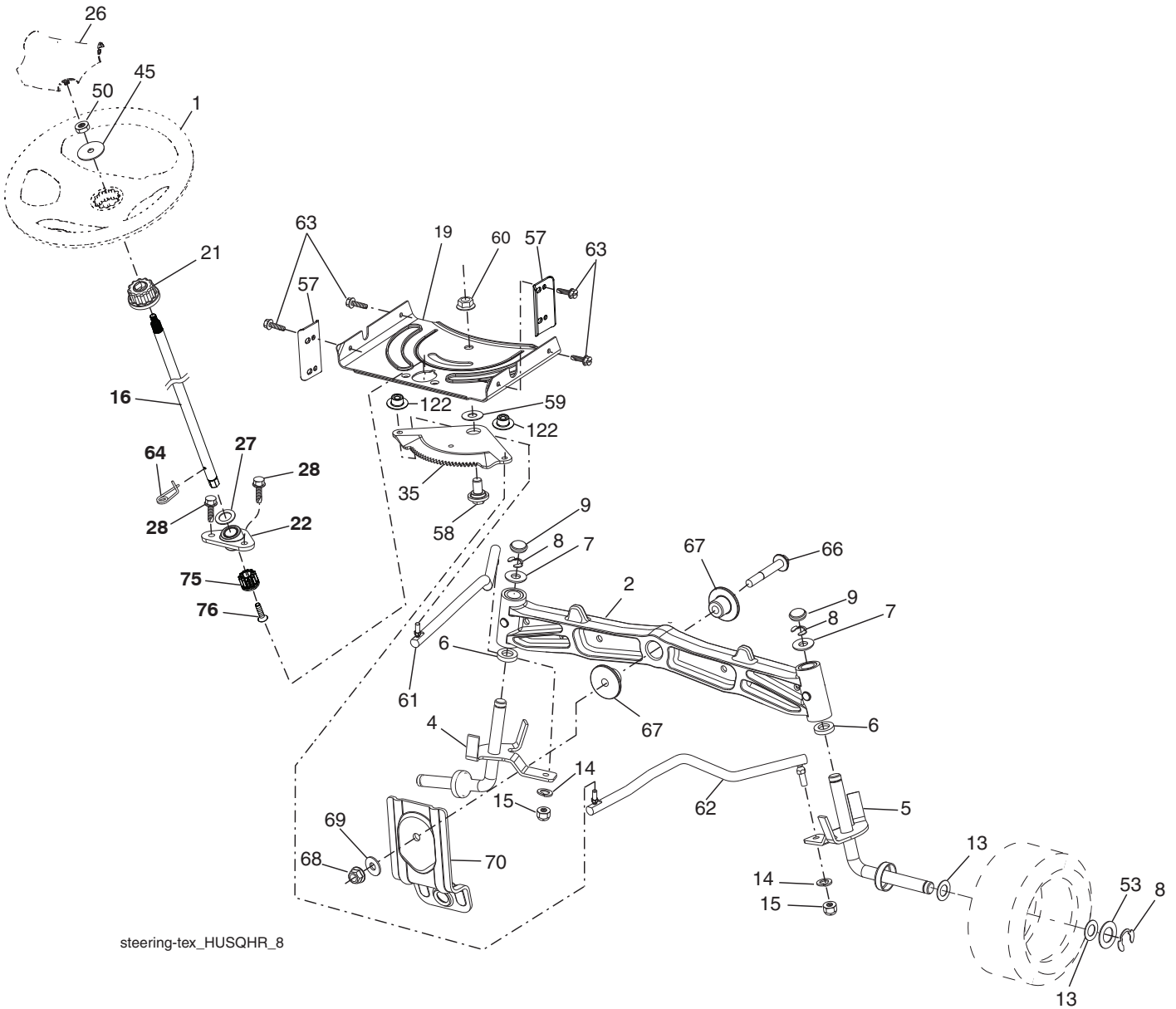
For engine service and replacement parts, call the toll free number for your engine manufacturer listed below:

Briggs & Stratton 1-800-233-3723

Engine Power Rating Information

The gross power rating for individual gas engine models is labeled in accordance with SAE (Society of Automotive Engineers) code J1940 (Small Engine Power & Torque Rating Procedure), and rating performance has been obtained and corrected in accordance with SAE J1995 (Revision 2002-05). Torque values are derived at 3060 RPM; horsepower values are derived at 3600 RPM. Actual gross engine power will be lower and is affected by, among other things, ambient operating conditions and engine-to-engine variability. Given both the wide array of products on which engines are placed and the variety of environmental issues applicable to operating the equipment, the gas engine will not develop the rated gross power when used in a given piece of power equipment (actual "on-site" or net power). This difference is due to a variety of factors including, but not limited to, accessories (air cleaner, exhaust, charging, cooling, carburetor, fuel pump, etc.), application limitations, ambient operating conditions (temperature, humidity, altitude), and engine-to-engine variability. Due to manufacturing and capacity limitations, Briggs & Stratton may substitute an engine of higher rated power for this Series engine.

**TRACTOR - - MODEL NUMBER YTA22V46 (96045005300), PRODUCT NO. 960 45 00-53
STEERING ASSEMBLY**



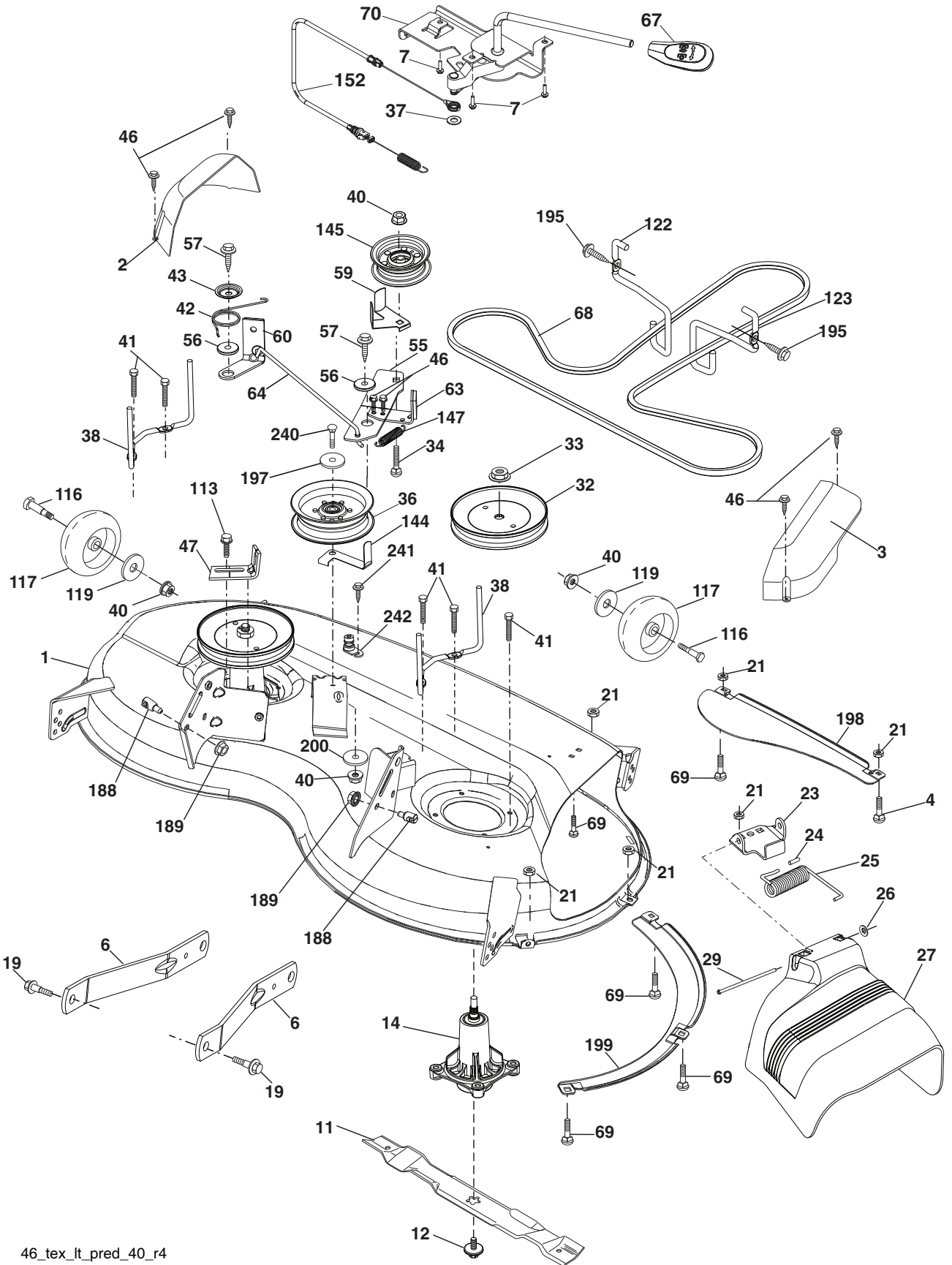
steering-tex_HUSQHR_8

**TRACTOR - - MODEL NUMBER YTA22V46 (96045005300), PRODUCT NO. 960 45 00-53
STEERING ASSEMBLY**

KEY NO.	PART NO.	DESCRIPTION
1	532 43 97-40	Wheel, Steering
2	532 19 59-68	Axle Cast Iron
4	532 40 30-87	Spindle Asm., LH
5	532 40 30-88	Spindle Asm., RH
6	532 00 62-66	Washer, Thrust, .75 x 1.230
7	532 12 17-48	Washer 25/32 x 1-5/8 x 16 Ga.
8	812 00 00-29	Ring, Klip #T5304-75
9	532 12 12-32	Cap, Spindle
13	532 12 17-49	Washer 25/32 x 1-1/4 x 16 Ga.
14	596 23 87-01	Washer, Spring, Lock, .381 ID x .680
15	873 54 06-00	Nut, Crown Lock 3/8-24 unf
16	587 01 60-02	Steering Shaft
19	532 19 47-29	Plate Steering
21	586 84 02-01	Adapter Wheel Steering
22	585 02 98-02	Bearing
26	532 43 97-43	Insert, Wheel Steering
27	596 93 34-01	Washer, Plain
28	817 00 06-12	Screw 3/8-16 x 3/4
35	532 19 47-32	Gear, Sector Plate
45	587 01 64-01	Washer 3/8 ID 2-3/8 OD 12 Ga. PLTD
50	873 90 06-00	Nut Lock Flg 3/8-16 unc
53	532 18 89-67	Washer Hardened .793 x 1.637 x .060
57	532 40 74-65	Bracket Upstop
58	532 19 47-47	Bolt Shoulder Sector Pivot CFM
59	532 19 47-48	Washer Thrust Sector Steering
60	873 97 10-00	Nut Flange Lock 5/8-11
61	532 19 47-40	Draglink, LH
62	532 19 47-41	Draglink, RH
63	817 00 05-12	Screw 5/16-18 x 3/4
64	532 19 98-49	Retainer Clip Spring Steering
66	871 02 07-48	Bolt Hex Fghd 7/16-14 x 3 Serr
67	532 19 47-37	Bushing PM Front Axle
68	873 90 07-00	Nut Lock Flange 7/16-14 Gr. 5
69	532 19 91-62	Washer 1.5 x .505 x .118
70	585 33 88-01	Bracket Deck Susp. Front
75	580 68 37-01	Pinion
76	580 68 36-01	Screw Head Sock
122	532 44 49-62	Cap Gear

NOTE: All component dimensions given in U.S. inches
1 inch = 25.4 mm

**TRACTOR - - MODEL NUMBER YTA22V46 (96045005300), PRODUCT NO. 960 45 00-53
MOWER DECK**



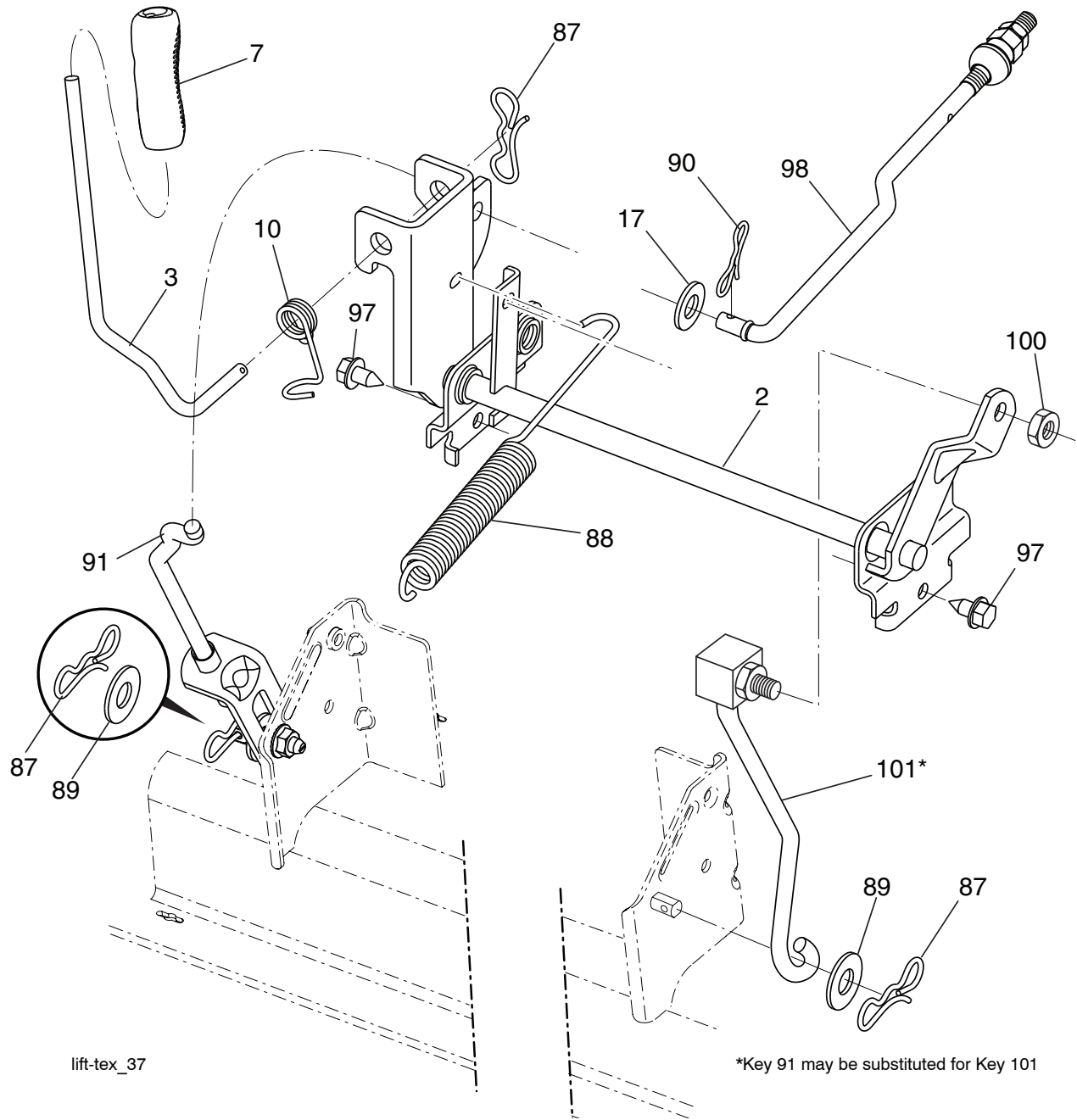
46_tex_lt_pred_40_r4

**TRACTOR - - MODEL NUMBER YTA22V46 (96045005300), PRODUCT NO. 960 45 00-53
MOWER DECK**

KEY PART NO. NO.	DESCRIPTION	KEY PART NO. NO.	DESCRIPTION		
1	532 40 84-86	Kit, Svc. Deck, Weldment 46" 405050X498	60	532 19 94-71	Arm Brake Mower LH
2	532 40 55-06	Cover Mandrel RH	63	532 19 94-77	Arm Brake Mower
3	532 40 55-07	Cover Mandrel LH	64	532 40 51-38	Linkage Brake
4	596 03 05-01	Bolt, Hex. Hd. 5/16-18 unc x 3/4	67	532 40 30-12	Handle, Clutch Cable
6	532 19 51-86	Arm Suspension	68	532 40 51-43	V-Belt
7	596 32 17-01	Screw, #10 x 0.750 BOS Thread	69	596 13 64-01	Bolt, Cup Head, 5/16-18 x 5/8
11	532 40 53-80	Blade Mower Hi Lift	70	532 19 99-72	Clutch Asm. Cable
12	584 30 93-01	Screw Sems 7/16-20 x 1	113	817 00 05-10	Screw 5/16-18
14	587 81 97-01	Kit, Mandrel, Nongrease, Tall (includes shaft and bolt)	116	596 43 44-04	Bolt, Shoulder, 3/8-16 x 3-5/8"
19	532 19 65-39	Bolt, Shoulder	117	589 52 73-01	Wheel, Gauge
21	596 04 05-01	Nutlock, Hex. Prvl. 5/16-18	119	596 13 49-01	Washer, Plain 3/8 x 7/8
23	532 19 25-57	Bracket, Deflector	122	532 19 72-58	Keeper Belt Eng. LH
24	532 10 53-04	Cap, Sleeve	123	532 19 72-59	Keeper Belt Eng. RH
25	532 19 70-26	Spring, Torsion, Deflector	144	532 19 92-04	Keeper Belt
26	532 11 04-52	Nut, Push	145	532 19 31-97	Pulley Idler
27	532 40 53-57	Shield, Deflector	147	532 40 18-72	Spring Return
29	595 29 70-01	Rod, Hinge	152	584 24 35-01	Cable Clutch Manual w/Spr.
32	532 19 74-73	Pulley, Mandrel	188	593 82 40-01	Stud, W/"D" Anti-rotation
33	596 13 48-01	Nut, Hex. 9/16-18 x 1.010	189	596 13 57-01	Nutlock, Prvl. Torq. 5/16-18 x .68
34	596 13 61-01	Bolt, Cup Head, 3/8-16 x 1-1/2	195	817 00 06-12	Screw 3/8-16 x 3/4
36	532 19 73-79	Pulley, Idler, Flat	197	596 13 32-01	Washer 13/32 x 13/16 x 12 Ga.
37	596 56 53-01	Washer, 3/8 x 0.08 in. St. Clr. Zinc	198	532 40 31-49	Baffle Center Front
38	589 67 61-02	Keeper Belt Mandrel	199	532 40 31-50	Baffle Front RH
40	873 90 06-00	Nut, Lock Flg. 3/8-16 unc	200	532 41 35-24	Washer 13/32 x 1 x 1/2 11 Ga.
41	584 95 39-01	Bolt Hex 313-18 x 1.19	240	874 52 06-36	Bolt 3/8-16 unc x 2-1/4 Gr. 5
42	532 19 84-10	Spring Torsion Brake	241	532 15 29-27	Screw
43	532 19 72-56	Spring Torsion Retainer	242	532 41 55-98	Washout Port
46	532 13 77-29	Screw	--	532 41 64-05	Quick Connect Coupling
47	532 19 72-50	Bracket Clutch Cable	--	532 43 18-23	Replacement Mower, Complete
55	532 19 72-49	Arm, Idler			
56	532 19 90-92	Spacer, Retainer			
57	817 00 06-16	Screw Hexwsh Thd 3/8-16 x 1			
59	532 14 10-43	Guard, Tuv Idler (94)			

NOTE: All component dimensions given in U.S. inches
1 inch = 25.4 mm

**TRACTOR - - MODEL NUMBER YTA22V46 (96045005300), PRODUCT NO. 960 45 00-53
MOWER LIFT**

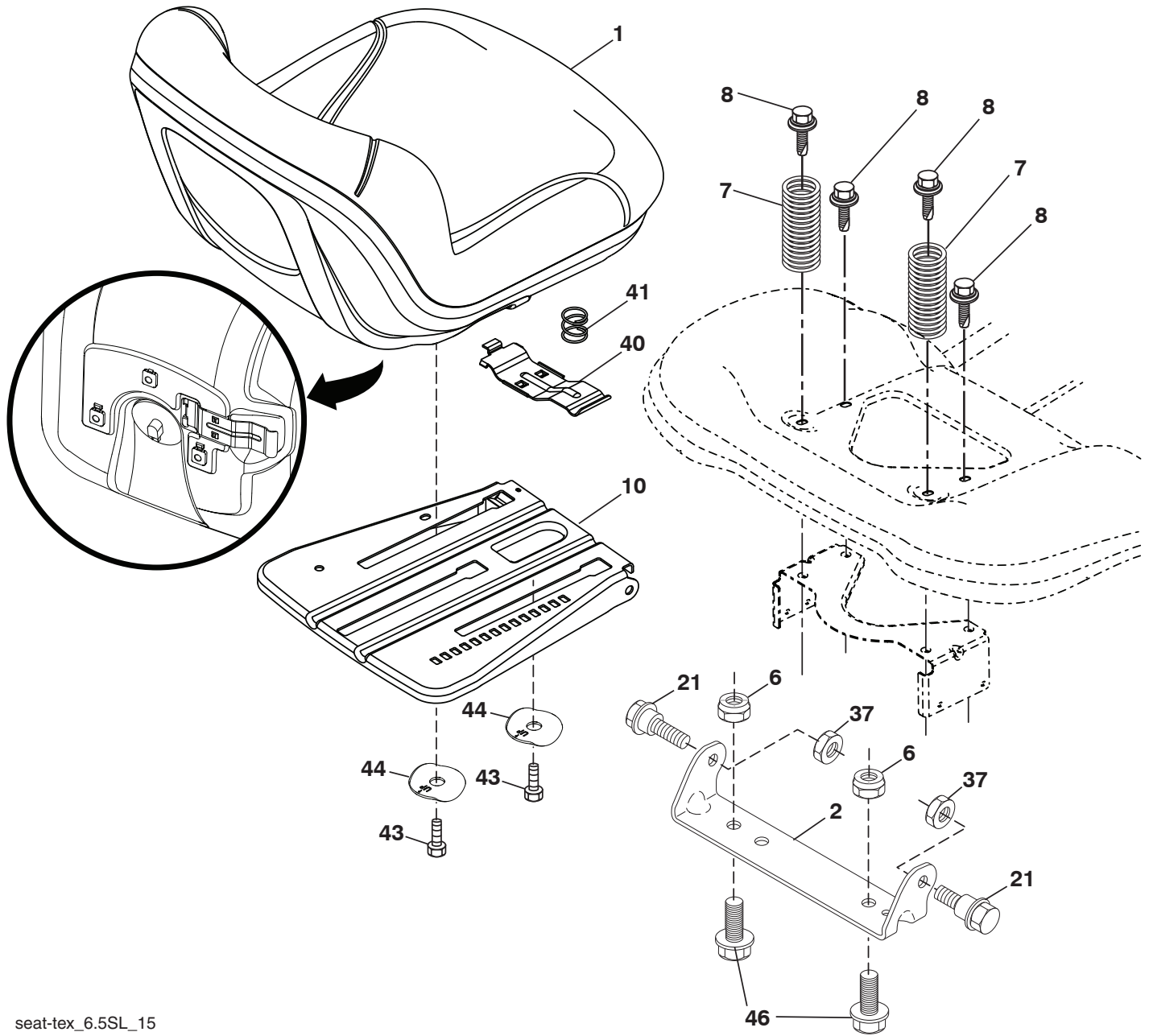


KEY NO.	PART NO.	DESCRIPTION
2	532 42 20-27	Shaft Asm., Lift
3	594 01 80-01	Handle, Liftlever, Lt, Std, Wide
7	580 96 23-01	Grip, Lever
10	532 19 63-14	Spring Torsion
17	596 13 32-01	Washer 13/32 x 13/16 x 12 Ga.
87	532 19 42-09	Pin Cotter 7/16 Bow Tie Lock
88	532 41 07-10	Spring Lift Assist
89	819 19 19-12	Washer Clear Zinc
90	532 19 42-08	Pin Cotter 5/16 Bow Tie Lock

KEY NO.	PART NO.	DESCRIPTION
91	589 46 48-02	Link, Assy. Lift, Rear
97	817 00 06-12	Screw 3/8-16 x .75 Smgml Tap/R.Z
98	581 50 69-04	Link, Assy. Mwr. Front, Susp 10.400
100	595 30 59-01	Nut, Hex. Locknut, 3/8-16
101	581 50 65-01	Link Asm. Fixed

NOTE: All component dimensions given in U.S. inches
1 inch = 25.4 mm

**TRACTOR - - MODEL NUMBER YTA22V46 (96045005300), PRODUCT NO. 960 45 00-53
SEAT ASSEMBLY**



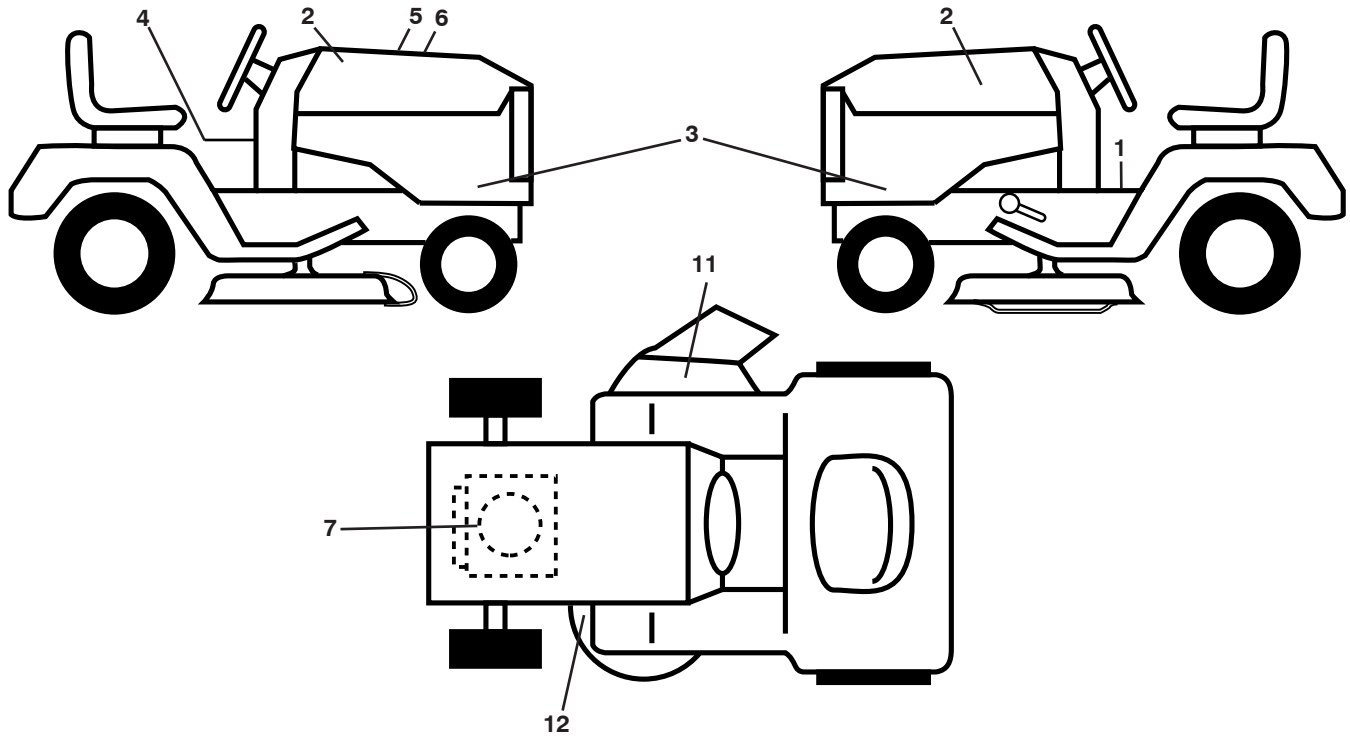
seat-tex_6.5SL_15

KEY NO.	PART NO.	DESCRIPTION
1	532 43 98-22	Seat
2	532 18 01-66	Bracket Pivot Fender
6	873 80 06-00	Nut, Lock w/Ins. 3/8-16 unc
7	589 48 35-01	Spring, Seat Cprsn
8	532 17 18-77	Bolt 5/16-18 unc x 3/4 w/Sems
10	596 65 74-02	Plate, Seat, Slide, 3Pt. Ms431
21	587 90 78-01	Bolt, Shoulder 5/16-18 x 5/8
37	596 58 37-02	Nut 5/16-18 Nyloc. Blk. Zinc

KEY NO.	PART NO.	DESCRIPTION
40	595 08 81-02	Handle, Seat, Slide, E-Dip, x 431
41	532 19 82-00	Spring Latch Seat
43	874 76 06-12	Bolt Fin Hex 3/8-16 unc x 3/4
44	501 05 18-01	Washer Winged 3/8 ID 1.5 OD
46	588 09 04-01	Bolt 3/8-16 x 1, 1.25 OD Wshr

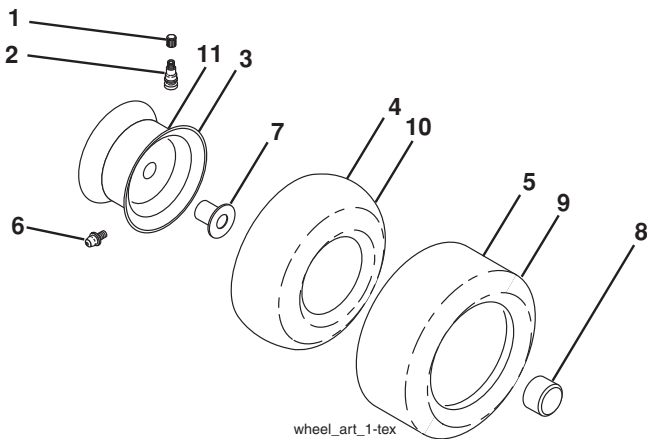
NOTE: All component dimensions given in U.S. inches
1 inch = 25.4 mm

**TRACTOR - - MODEL NUMBER YTA22V46 (96045005300), PRODUCT NO. 960 45 00-53
DECALS**



KEY NO.	PART NO.	DESCRIPTION	KEY NO.	PART NO.	DESCRIPTION
1	581 57 87-01	Decal, Fender Warning	--	581 72 48-01	Decal, Bypass
2	581 62 73-01	Decal, Hood	--	580 88 58-01	Decal, E85 Warning
3	501 20 38-01	Decal, Hood Panel SD	--	532 43 96-81	Pad, Footrest, LH
4	596 02 42-01	Decal, Warning Spark Arrestor	--	532 43 96-82	Pad, Footrest, RH
5	532 42 38-29	Decal, Customer Respons.	--	115 47 32-26	Manual, Operator's (English/Spanish)
6	501 11 22-01	Decal, Replacement	--	115 47 33-49	Manual, Parts (English/Spanish)
7	585 55 69-01	Decal, Engine	--	587 71 00-26	Manual, Quick Start Guide (English/Spanish)
11	584 90 46-01	Decal, Deflect. Warning			
12	581 58 00-01	Decal, Mower V-Belt Schematic			

WHEELS AND TIRES

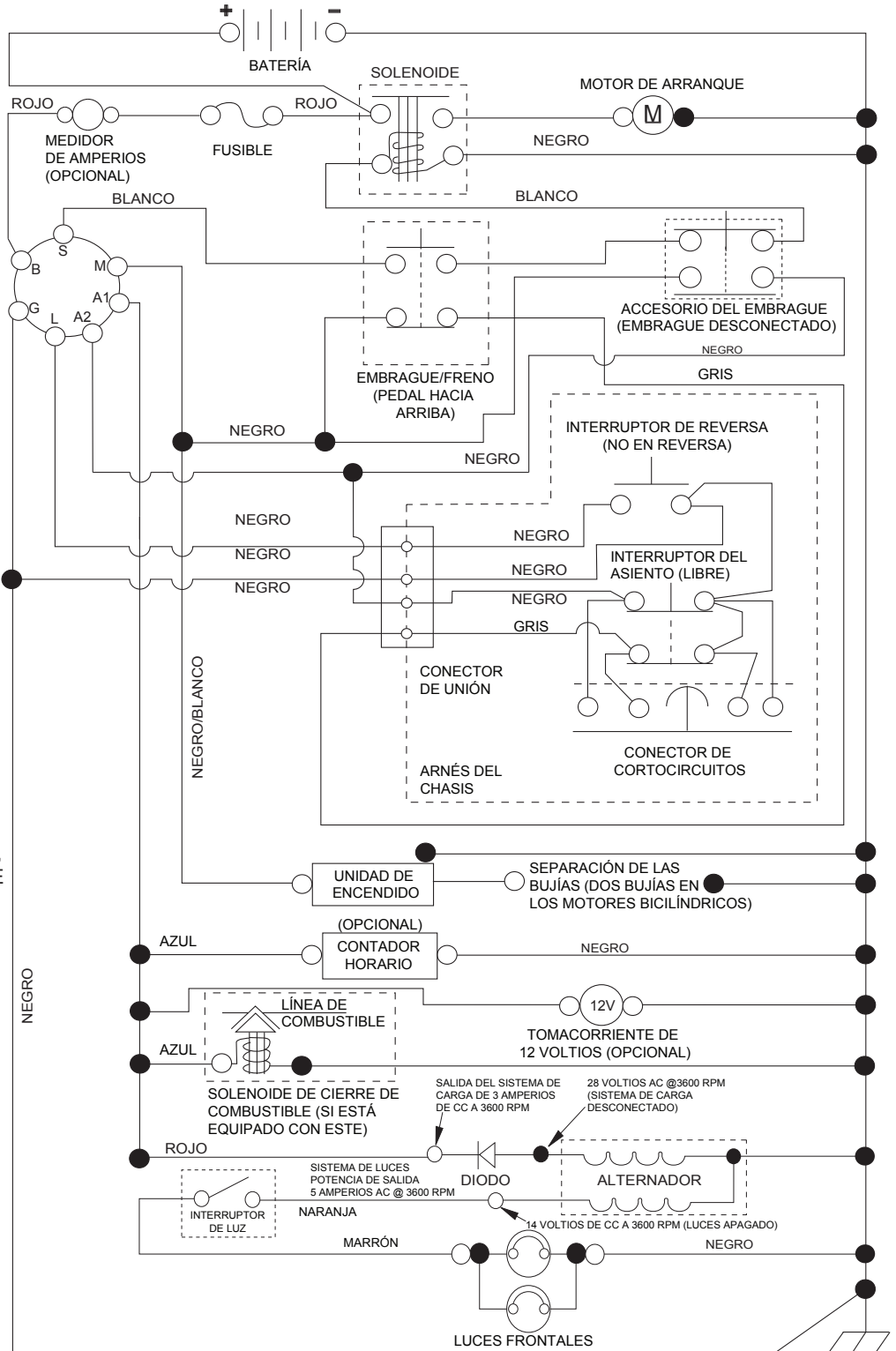


KEY NO.	PART NO.	DESCRIPTION
1	532 05 91-92	Cap Valve Tire
2	532 06 51-39	Stem Valve
3	532 13 83-36	Rim Front
4	532 05 99-04	Tube Front (Service Item Only)
5	532 10 62-22	Tire Front 15 x 6-6
6	532 00 02-78	Fitting, Grease
7	532 00 90-40	Bearing, Flange
8	532 17 50-39	Cap Axle Blk 1 50 x 1 00
9	532 13 84-68	Tire Rear 20 x 8-8
10	532 00 71-52	Tube, Rear, 9.5 x 8 Service
11	532 13 83-37	Rim Asm 8" Rear
--	532 14 43-34	Sealant, Tire (10 oz. Tube)

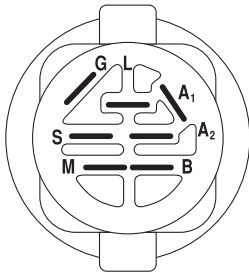
NOTE: All component dimensions given in U.S. inches
1 inch = 25.4 mm

TRACTOR MODELO NO. YTA22V46 (96045005300), PRODUCTO NO. 960 45 00-53 DIAGRAMA

SCH11-s

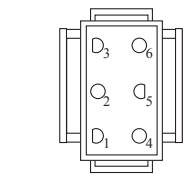


NOTAS:
QUE SU TRACTOR ES EQUIPADO CON UN SISTEMA ESPECIAL DE ALTERNADOR. LAS LUCES NO SON CONECTADAS A LA BATERIA, PERO TIENEN SU PROPIA FUENTE ELECTRICA. A CAUSA DE ESTO, EL BRILLO DE LAS LUCES CAMBIARA CON LA VELOCIDAD DE MOTOR. EN LENTO, LAS LUCES NO SON COMO BRILLANTES. CUANDO EL MOTOR ES ACCELERADO, LA LUZ CONSEGUIRÁ MÁS BRILLANTE.

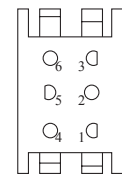


INTERRUPTOR DE ENCENDIDO

POSICIÓN	CIRCUITO «MARCA»
APAGADO	M+G+A1
PONER EN FUNCIONAMIENTO/ANULAR	B+A1
PONER EN FUNCIONAMIENTO	B+A1 L+A2
ARRANCAR	B + S + A1



CONEXIÓN DEL ARNÉS DEL CHASIS (LATERAL QUE COINCIDA)



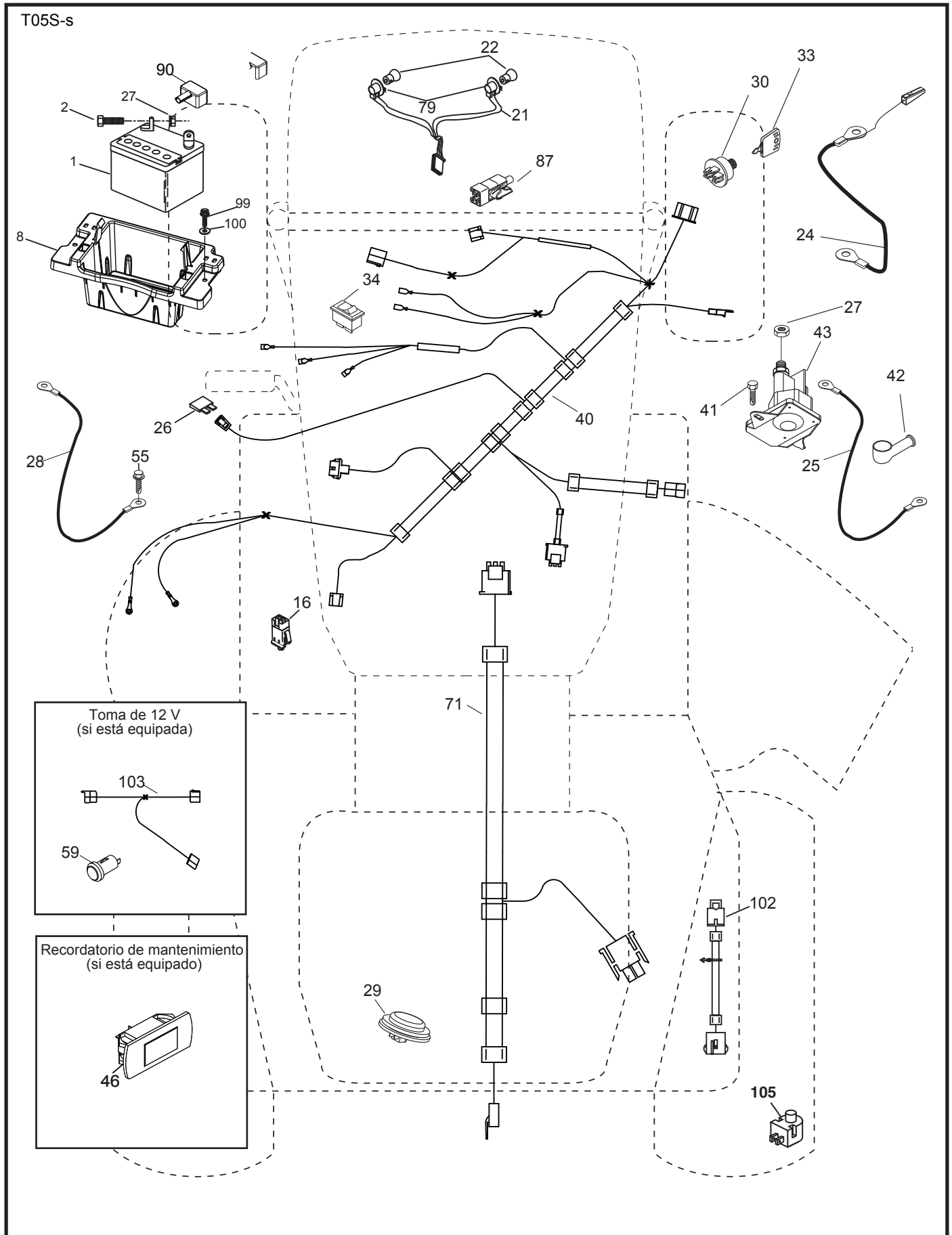
CONEXIÓN PARA EL ARNÉS DEL TABLERO (LATERAL QUE COINCIDA)

NOTA SOBRE LAS ABRAZADERAS DE AISLAMIENTO DEL CABLEADO: SI SE QUITAN LAS ABRAZADERAS DE AISLAMIENTO DEL CABLEADO PARA HACER EL MANTENIMIENTO DE LA UNIDAD, SE LAS DEBERÁ INSTALAR NUEVAMENTE PARA PROTEGER EL CABLEADO ADECUADAMENTE.

● CONEXIONES NO DESMONTABLES

○ CONEXIONES DESMONTABLES

TRACTOR MODELO NO. YTA22V46 (96045005300), PRODUCTO NO. 960 45 00-53
DIAGRAMA ELÉCTRICO

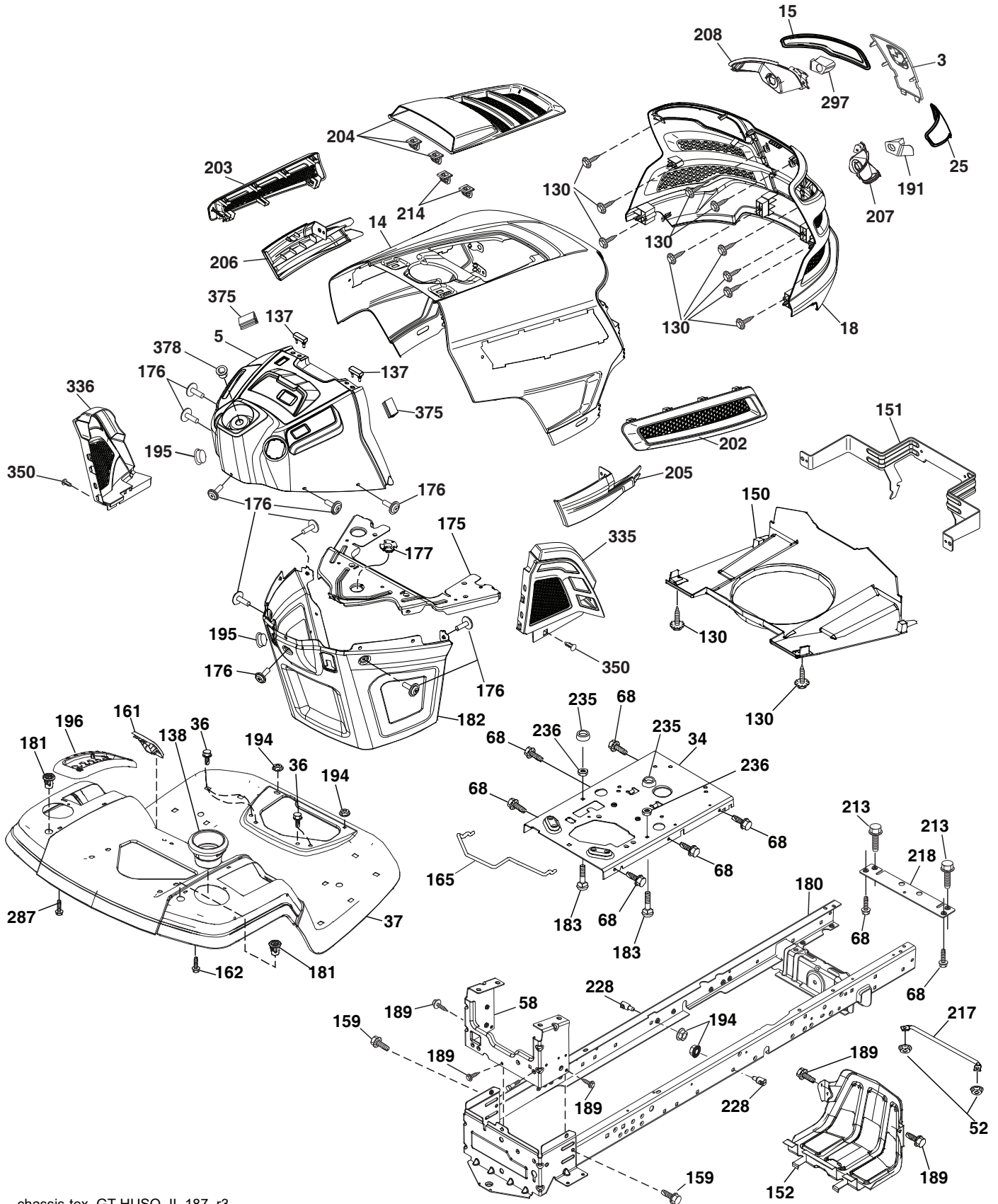


**TRACTOR MODELO NO. YTA22V46 (96045005300), PRODUCTO NO. 960 45 00-53
DIAGRAMA ELÉCTRICO**

CÓDIGO No.	PIEZA No.	DESCRIPCIÓN
1	532 16 34-65	Batería
2	874 76 04-12	Perno de cabeza hexagonal de 1/4-20 x 3/4
8	532 41 41-26	Caja de la batería
16	532 17 61-38	Interruptor corta corriente a presión
21	532 40 02-52	Cableado del enchufe para la luz c/4152J
22	532 00 41-52	Bombilla de luz
24	585 55 56-01	Cable de batería
25	585 55 55-01	Cable
26	532 17 51-58	Fusible
27	596 13 36-01	Tuerca de presión de 1/4-20
28	532 41 65-88	Cable a tierra
29	532 40 15-45	Interruptor del asiento
30	532 19 33-50	Interruptor de encendido
33	532 41 19-33	Llave/cadena
34	532 11 07-12	Interruptor de luz/de restauración
40	501 13 30-01	Cableado del tablero de encendido
41	817 72 04-08	Tornillo
42	532 13 15-63	Cubierta de la terminal
43	582 04 28-02	Solenoides con émbolo de latón
46	594 91 91-01	Indicador de con contador horario
55	817 06 05-12	Tornillo de 5/16-18 x 3/4
71	532 19 42-76	Cableado de Chasis
79	532 17 52-42	Enchufe de cierre por torsión del ensamble de la bombilla
87	532 19 78-02	Interruptor corta corriente del cable de embrague
90	532 43 53-95	Tapa de los bornes de la batería
99	817 67 04-12	Tornillo 1/4-20 x 4
100	596 13 53-01	Arandela de 9/32 x 7/8
102	581 02 34-01	Cableado
105	532 40 75-68	Interruptor

NOTA: Las dimensiones de todos los componentes están expresadas en pulgadas americanas. 1 pulgada = 25,4 mm

TRACTOR MODELO NO. YTA22V46 (96045005300), PRODUCTO NO. 960 45 00-53
CHASIS



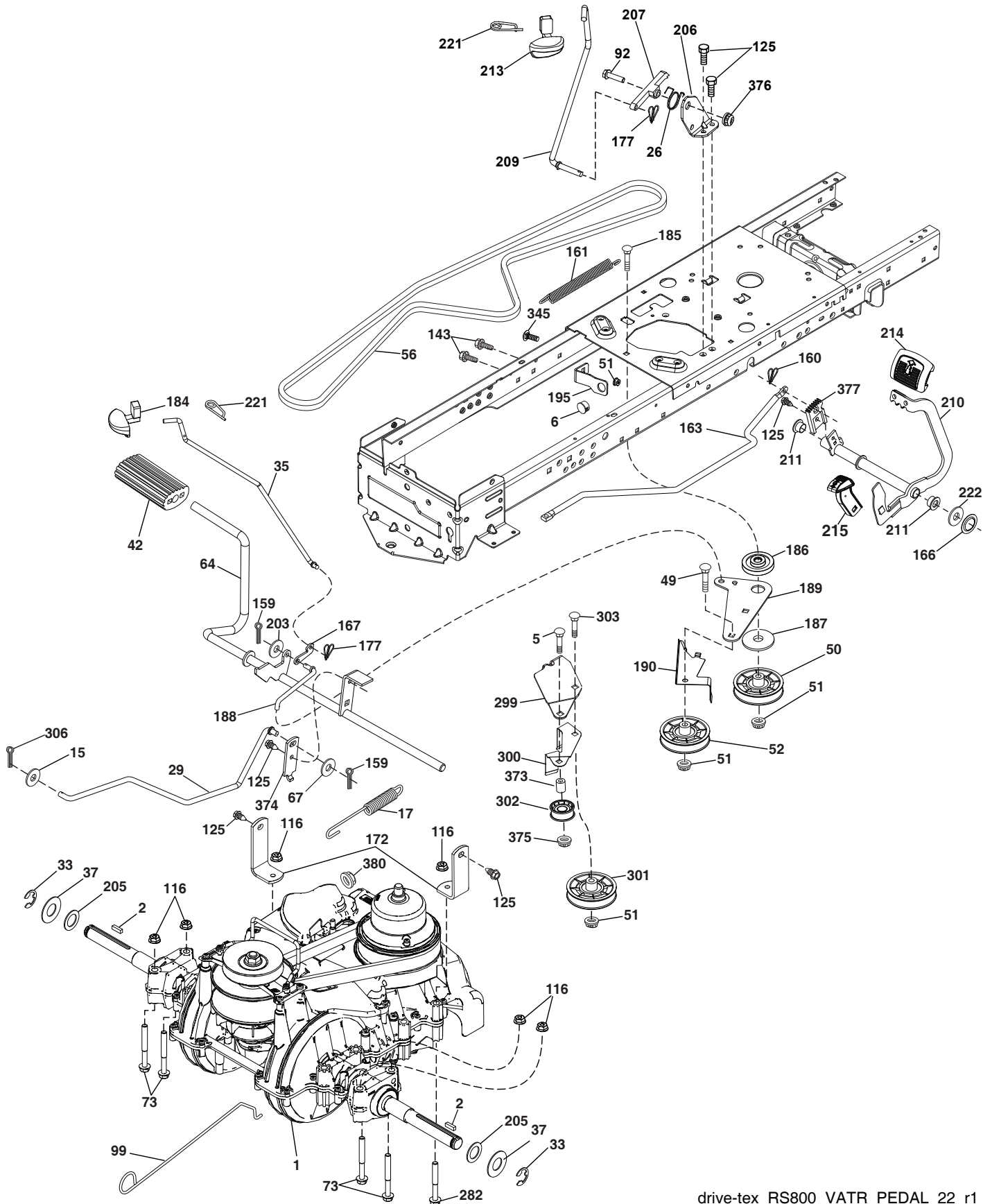
chassis-tex_GT HUSQ_II_187_r3

**TRACTOR MODELO NO. YTA22V46 (96045005300), PRODUCTO NO. 960 45 00-53
CHASIS**

CÓDIGO No.	PIEZA No.	DESCRIPCIÓN	CÓDIGO No.	PIEZA No.	DESCRIPCIÓN
3	532 44 44-81	Aplica Submontaje	191	532 43 74-55	Inserto LD
5	590 74 88-18	Tablero del tractor el montaje superior	194	596 13 57-01	Tuerca de presión de 5/16-18 x .68
14	532 44 11-77	Capota	195	532 40 41-37	Tapón
15	532 43 97-33	Lente izquierdo de la parrilla	196	532 43 96-47	Ensamble de la consola de la plataforma de elevación
18	587 52 34-01	Parrilla	202	532 43 97-28	Salida de Ventilación (LD)
25	532 44 33-85	Lente derecho de la parrilla	203	532 43 97-27	Salida de Ventilación (LI)
34	580 91 08-01	Chapa Motor	204	587 48 58-01	Salida de Ventilación superior
36	817 06 05-12	Tornillo de 5/16-18 x 3/4	205	532 43 97-30	Camisa de Capota (LD)
37	532 44 12-69	Guardabarros	206	532 43 97-29	Camisa de Capota (LI)
52	596 04 05-01	Tuerca de presión de 5/16-18 x .18	207	587 46 48-01	Bisel derecho
58	532 41 22-80	Barra de tracción	208	587 46 45-01	Bisel izquierdo
68	596 03 07-01	Tornillo de 5/16-18 x 1/2	213	596 03 05-01	Perno de 5/16-18 unc x 3/4
130	596 32 17-01	Tornillo de #10 x 0.750	214	532 19 91-45	Cierre
137	532 40 75-90	Cubierta Tablero	217	532 40 91-67	Varilla giratoria
138	532 43 97-47	Portavasos	218	532 19 63-95	Tope
150	532 43 97-74	Cubierta térmica del conducto	228	593 82 40-01	Perno prisionero con anti rotación
151	532 43 66-70	Soporte	235	596 56 42-01	Separador del guardabarros
152	532 43 98-70	Protector contra oscurecimiento	236	873 93 05-00	Tuerca de presión 5/16-18 unc
159	817 00 06-12	Tornillo 3/8-16 x 3/4	287	817 60 04-06	Tornillo 1/4 - 20 x 3/8
161	532 43 97-81	Ventana de combustible	297	532 43 74-56	Inserto LI
162	596 13 41-01	Tornillo de 1/4-15 x 1/2	335	532 44 82-04	Cubierta LD
165	532 19 68-26	Trasero apoyo de tanque	336	532 44 53-09	Cubierta LI
175	590 60 77-02	Plaque de reinforcement	350	532 43 81-37	Cierre del árbol de navidad
176	532 40 07-76	Tornillo de 10-24 x 5/8	375	586 90 82-01	Cubierta Capota
177	532 19 52-28	Buje de dirección	378	590 84 98-01	Buje de brida, plástico
180	532 41 50-63	Chasis			
181	532 43 97-46	Buje de soporte del guardabarros de carga			
182	532 40 68-59	Tablero inferior			
183	595 30 57-01	Tornillo de 5/16-18 x 1-1/4			
189	817 00 05-12	Tornillo 5/16-18 x 3/4			

NOTA: Las dimensiones de todos los componentes están expresadas en pulgadas americanas. 1 pulgada = 25,4 mm

TRACTOR MODELO NO. YTA22V46 (96045005300), PRODUCTO NO. 960 45 00-53
TRANSMISIÓN

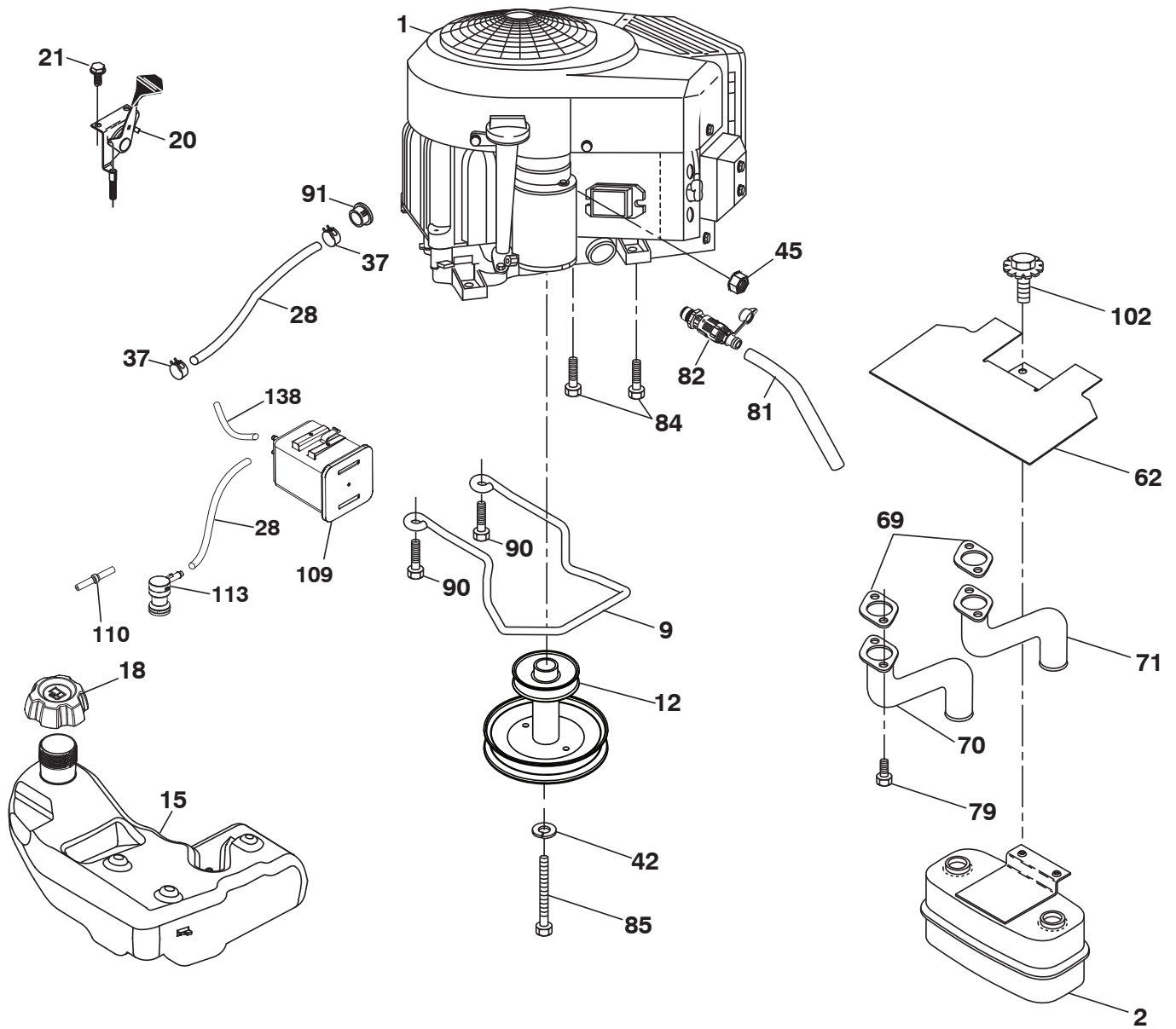


drive-tex_RS800_VATR_PEDAL_22_r1

**TRACTOR MODELO NO. YTA22V46 (96045005300), PRODUCTO NO. 960 45 00-53
TRANSMISIÓN**

CÓDIGO No.	PIEZA No.	DESCRIPCIÓN	CÓDIGO No.	PIEZA No.	DESCRIPCIÓN
1	---	Transeje, Varitor SD Pedal (590277501) (Haga el pedido de las piezas al fabricante del transeje.)	187	596 13 55-01	Arandela de 13/32 x 2
2	532 12 35-83	Cuña	188	582 21 70-01	Mecanismo de desplazamiento de la varilla de mando del embrague del largo
5	874 76 06-36	Perno de HS 3/8-16 unc	189	532 19 43-17	Palanca acodada del mecanismo de desplazamiento
6	532 12 40-28	Buje	190	532 19 43-18	Sujetador de la palanca acodada del mecanismo de desplazamiento
15	596 56 53-01	Arandela de 3/8 x 0.08	195	581 50 46-01	Soporte del freno
17	501 48 71-01	Resorte de freno	203	596 20 41-01	Rondelle 11/32 x 11/16 x14
26	532 19 96-79	Crucero con retorno de muelle	205	532 12 17-48	Arandela de 25/32 x 1-5/8 x calibre 16
29	584 82 31-01	Varilla del freno	206	532 44 85-96	Soporte de montaje del bloqueo del crucero
33	812 00 00-01	Aro E	207	532 44 82-64	Bloqueo del control del crucero
35	590 60 59-02	Varilla del freno de mano	209	590 52 78-02	Tige régulateur de vitesse
37	532 18 89-67	Arandela de .793 x 1.637 x 060	210	588 92 10-02	Ensamble del pedal
42	532 00 88-83	Cubierta del pedal	211	532 12 01-83	Rodamiento de nylon
49	596 13 62-01	Perno de 3/8-16 x 3/4	213	532 40 31-19	Perilla de control del crucero
50	532 19 43-27	Polea loca plana	214	532 42 12-63	Forro del pedal para avanzar
51	873 90 06-00	Tuerca 3/8-16	215	591 10 01-01	Forro del pedal para retroceder
52	532 19 43-26	Polea loca con ranura en V con un desplazamiento	221	532 40 31-87	Abrazadera de retención del resorte de la manija
56	592 85 50-01	Correa, transmisión, Variator	222	879 21 20-10	Arandela de 21/32 x 1-1/4 calibre 10
64	589 67 14-01	Ensamble del eje Control del pedal de freno	282	874 49 05-48	Tornillo de 5/16-18 x 3
67	582 58 01-01	Arandela de nylon 13/32 x 13/16 x .109	299	532 41 56-83	Soporte
73	595 31 66-01	Perno de 5/16-18	300	532 41 56-81	Polea loca Sujetador
92	595 30 57-01	Tornillo de 5/16-18 x 1-1/4	301	532 41 56-80	Polea loca plana
99	532 43 59-35	Varilla del con resorte de desviación	302	581 42 05-01	Polea loca plana 2.0 Od
116	596 13 57-01	Tuerca de 5/16-18 x .68	303	872 11 06-18	Perno
125	817 00 05-12	Tornillo de 5/16-18 x 3/4	306	596 02 96-01	Goupille Fendue 1/8 Dia. x 1.00
143	596 03 07-01	Tornillo de 5/16-18 x 1/2	345	596 13 60-01	Perno de 3/8-16 x 3/4
159	596 02 95-01	Pasador de chaveta de 1/8 x 3/4	373	581 46 18-01	Separador
160	596 02 94-01	Abrazadera de retención	374	581 47 52-01	Soporte
161	532 10 57-09	Resorte de retorno del embrague 6.75	375	596 32 26-01	Tuerca de 3/8-16
163	587 84 79-02	Varilla de control del pedal	376	532 42 65-89	Tuerca
166	532 42 91-64	Tuerca de presión .625	377	588 89 64-01	Crucero con Engranaje del sector
167	532 40 52-57	Pestillo del freno de mano	380	582 47 86-02	Tuerca de 1/4-20
172	583 97 42-02	Correa de torsión (LI)/(LD)			
177	587 22 53-01	Abrazadera de retención 1 In.			
184	587 65 37-01	Manija del freno de mano			
185	872 11 06-22	Perno de 3/8-16 unc x 2-3/4 grado 5			
186	532 19 43-21	Espaciador de retención			

NOTA: Las dimensiones de todos los componentes están expresadas en pulgadas americanas.
1 pulgada = 25,4 mm



EQUIPO APAGACHISPAS

engine-tex_bs-2cyl_177

TRACTOR MODELO NO. YTA22V46 (96045005300), PRODUCTO NO. 960 45 00-53 MOTOR

CÓDIGO No.	PIEZA No.	DESCRIPCIÓN
1	— — — — —	Motor B&S modelo No. 44N677-0005-G1 (587639101) (Haga el pedido de las piezas al fabricante del motor.)
2	589 81 87-01	Silenciador
9	582 54 03-02	Ensamble del sujetador de la correa del motor
12	532 40 51-40	Polea del motor
15	599 83 76-01	Depósito de combustible 3 galón
18	599 50 22-01	Ensamble de la tapa 3"
20	532 42 35-02	Control del regulador
21	596 32 17-01	Tornillo de #10 x 0.750
28	532 40 11-35	Línea de combustible
29	532 13 71-80	Equipo apagachispas
37	532 12 34-87	Abrazadera de la manguera
42	596 23 89-01	Arandela de 7/16"
45	596 13 36-01	Tuerca de presión de 1/4-20
62	532 43 40-17	Protector
69	532 16 53-91	Junta
70	581 88 11-01	Tubo de escape LI
71	581 88 10-01	Tubo de escape LD
79	596 13 42-02	Tornillo de 5/16-18 x 1
81	532 14 84-56	Tubo de fácil drenaje de aceite
82	532 42 82-87	Conector del drenaje de aceite
84	817 06 06-20	Tornillo 3/8-16 x 1
85	501 60 65-01	Perno de 7/16-20 x 4 Gr. 5-1.5
90	817 00 06-16	Tornillo 3/8-16 x 1
91	532 18 74-95	Tornillo Buje
102	817 00 05-12	Tornillo 5/16-18 x 3/4
109	532 41 41-14	Bote
110	532 41 41-18	Válvula
113	532 41 41-27	Válvula
138	596 94 15-01	Línea de purga .1875"

NOTA: Las dimensiones de todos los componentes están expresadas en pulgadas americanas. 1 pulgada = 25,4 mm

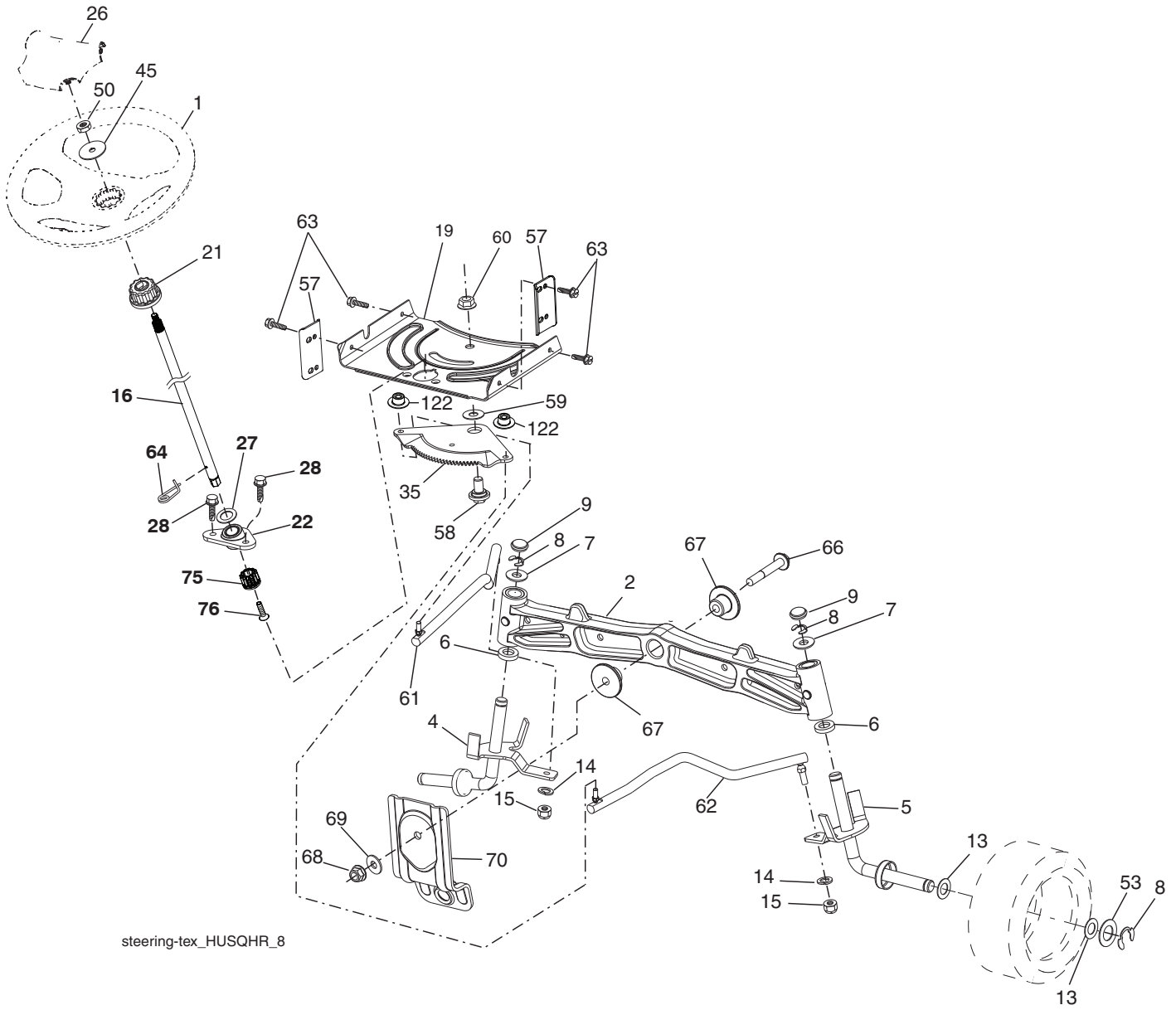
Para realizar el mantenimiento del motor y para obtener repuestos, llame al número gratuito del fabricante de su motor que se enumera a continuación:

Briggs & Stratton 1-800-233-3723

Información de Clasificación de Potencia del Motor

La clasificación de potencia para un modelo de motor a gas en particular se designa de acuerdo al código J1940 de SAE (Sociedad de Ingenieros Automotrices) (Procedimiento de Clasificación de Potencia & Torque del Motor Pequeño), y la clasificación de desempeño ha sido obtenida y corregida de acuerdo con el código J1995 de SAE (Revisión 2002-05). Los valores de torque se obtienen a 3060 RPM; los valores de potencia se obtienen a 3600 RPM. La potencia bruta actual del motor será inferior y está afectada, entre otras cosas, por las condiciones ambientales operativas y la variabilidad de motor a motor. Dado ambos un amplio conjunto de productos en los cuales son puestos nuestros motores, y la variedad de emisiones ambientales aplicables al operar el equipo, el motor a gas no desarrollará la potencia nominal cuando sea usado en una parte del equipo acoplado (potencia real "en el-sitio" o potencia neta). Esta diferencia se debe a una variedad de factores que incluyen, pero que no están limitados a, accesorios (filtro de aire, sistema de escape, sistema de carga, sistema de enfriamiento, carburador, bomba de combustible, etc.) limitaciones de la aplicación, condiciones ambientales de operación (temperatura, humedad, altitud), y la variabilidad de motor a motor. Debido a las limitaciones, Briggs & Stratton puede sustituir este motor con clasificación de potencia más alta por esta serie de motor.

TRACTOR MODELO NO. YTA22V46 (96045005300), PRODUCTO NO. 960 45 00-53
ENSAMBLE DE LA DIRECCIÓN



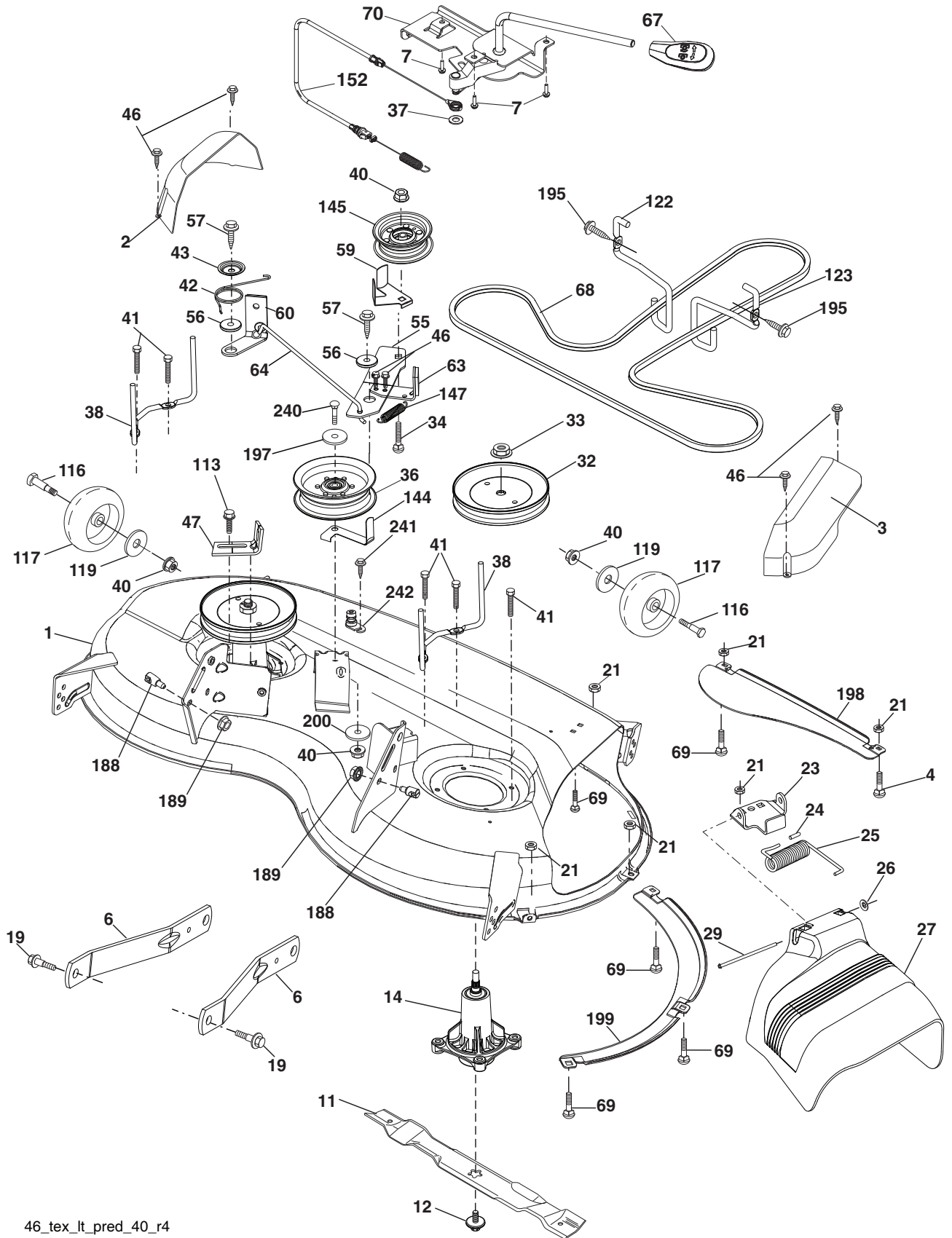
steering-tex_HUSQHR_8

**TRACTOR MODELO NO. YTA22V46 (96045005300), PRODUCTO NO. 960 45 00-53
ENSAMBLE DE LA DIRECCIÓN**

CÓDIGO No.	PIEZA No.	DESCRIPCIÓN
1	532 43 97-40	Volante de dirección
2	532 19 59-68	Eje
4	532 40 30-87	Ensamble del husillo izquierdo
5	532 40 30-88	Ensamble del husillo derecho
6	532 00 62-66	Arandela de .75 x 1.230
7	532 12 17-48	Arandela de 25/32 x 1-5/8 calibre 16
8	812 00 00-29	Abrazadera del aro No. T5304-75
9	532 12 12-32	Tapa del husillo
13	532 12 17-49	Arandela de 25/32 x 1-1/4 calibre 16
14	596 23 87-01	Arandela de .381 x .680
15	873 54 06-00	Tuerca corona de presión de 3/8-24 unf
16	587 01 60-02	Eje de dirección
19	532 19 47-29	Placa de dirección
21	586 84 02-01	Adaptador del volante de dirección
22	585 02 98-02	Rodamiento
26	532 43 97-43	Inserto del volante de dirección
27	596 93 34-01	Arandela
28	817 00 06-12	Tornillo de 3/8-16 x 3/4
35	532 19 47-32	Engranaje del sector de la placa
45	587 01 64-01	Arandela 3/8 ID 2-3/8 OD calibre 12 PLTD
50	873 90 06-00	Tuerca 3/8-16 unc
53	532 18 89-67	Arandela reforzada de 793 x 1637 x 0,060
57	532 40 74-65	Tope superior del soporte
58	532 19 47-47	Perno de tope del sector del pivote CFM
59	532 19 47-48	Arandela de empuje del sector de dirección
60	873 97 10-00	Tuerca de presión con brida de 5/8-11
61	532 19 47-40	Barra de acoplamiento izquierda
62	532 19 47-41	Barra de acoplamiento derecha
63	817 00 05-12	Tornillo de 5/16-18 x 3/4
64	532 19 98-49	Abrazadera de retención del resorte de la dirección
66	871 02 07-48	Perno de cabeza 7/16-14 x 3
67	532 19 47-37	Buje PM del eje delantero
68	873 90 07-00	Tuerca de presión con brida de 7/16-14 grado 5
69	532 19 91-62	Arandela de 1,5 x 0,505 x 0,118
70	585 33 88-01	Soporte de la plataforma delantera
75	580 68 37-01	Piñón
76	580 68 36-01	Tornillo
122	532 44 49-62	Tapa

NOTA: Las dimensiones de todos los componentes están expresadas en pulgadas americanas. 1 pulgada = 25,4 mm

TRACTOR MODELO NO. YTA22V46 (96045005300), PRODUCTO NO. 960 45 00-53
PLATAFORMA DE LA CORTADORA DE CÉSPED



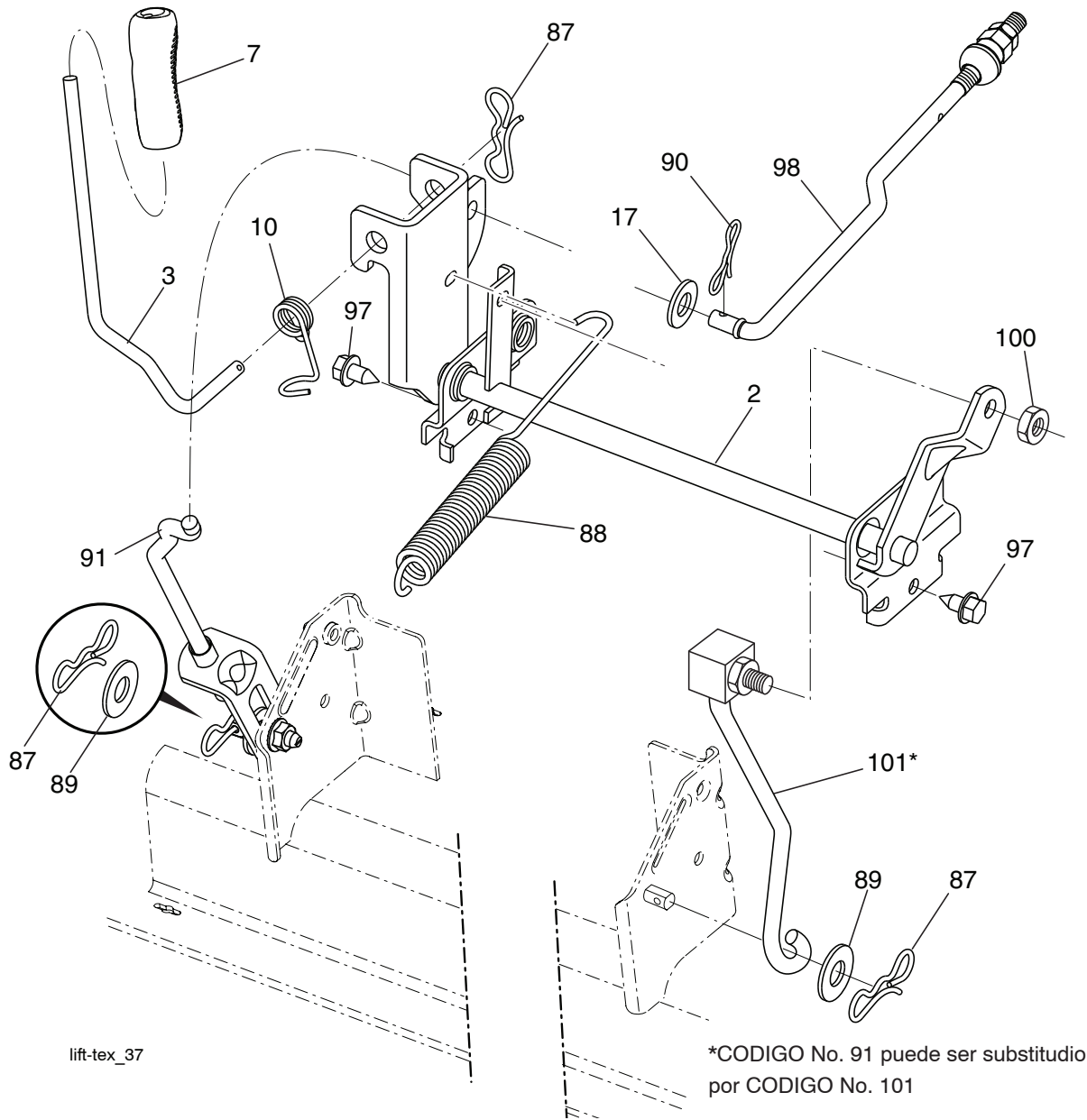
46_tex_lt_pred_40_r4

**TRACTOR MODELO NO. YTA22V46 (96045005300), PRODUCTO NO. 960 45 00-53
PLATAFORMA DE LA CORTADORA DE CÉSPED**

CÓDIGO PIEZA		DESCRIPCIÓN	CÓDIGO PIEZA		DESCRIPCIÓN
No.	No.		No.	No.	
1	532 40 84-86	Equipo de Carcasa de la cortadora de césped 46" 405050X498	63	532 19 94-77	Brazo del freno de la cortadora de césped
2	532 40 55-06	Cubierta derecha del mandril	64	532 40 51-38	Varillaje del freno
3	532 40 55-07	Cubierta izquierda del mandril	67	532 40 30-12	Manija del cable de embrague
4	596 03 05-01	Perno de 5/16-18 unc x 3/4	68	532 40 51-43	Correa trapezoidal
6	532 19 51-86	Brazo de la suspensión	69	596 13 64-01	Perno de 5/16-18 x 5/8
7	596 32 17-01	Tornillo de #10 x 0.750	70	532 19 99-72	Ensamble del embrague Manual
11	532 40 53-80	Cuchilla de la cortadora	113	817 00 05-10	Tornillo de 5/16-18
12	584 30 93-01	Tornillo 7/16-20 x 1	116	596 43 44-04	Perno de 3/8-16 x 3-5/8"
14	587 81 97-01	Conjunto del mandril (incluye eje y perno)	117	589 52 73-01	Calibrador de la rueda
19	532 19 65-39	Perno de tope	119	596 13 49-01	Arandela de 3/8 x 7/8
21	596 04 05-01	Tuerca de presión de 5/16-18	122	532 19 72-58	Sujetador izquierdo de la correa del motor
23	532 19 25-57	Soporte del deflector	123	532 19 72-59	Sujetador derecho de la correa del motor
24	532 10 53-04	Tapa de la manga	144	532 19 92-04	Sujetador de la correa
25	532 19 70-26	Resorte de torsión del deflector	145	532 19 31-97	Polea loca
26	532 11 04-52	Tuerca de presión	147	532 40 18-72	Retorno del resorte
27	532 40 53-57	Protector del deflector	152	584 24 35-01	Cable de embrague manual con resorte
29	595 29 70-01	Varilla de la bisagra	188	593 82 40-01	Perno prisionero con anti rotación
32	532 19 74-73	Polea del mandril	189	596 13 57-01	Tuerca de presión de 5/16-18 x .68
33	596 13 48-01	Tuerca de 9/16-18 x 1.010	195	817 00 06-12	Tornillo de 3/8-16 x 3/4
34	596 13 61-01	Perno de 3/8-16 x 1-1/2	197	596 13 32-01	Arandela de 13/32 x 13/16 x 12 Calibre
36	532 19 73-79	Polea loca	198	532 40 31-49	Deflector delantero central
37	596 56 53-01	Rondelle 3/8 x 0.08	199	532 40 31-50	Deflector delantero derecho
38	589 67 61-02	Sujetador de la correa izquierda del mandril	200	532 41 35-24	Arandela de 13/32 x 1 x 1/2 calibre 11
40	873 90 06-00	Tuerca de presión con brida de 3/8-16 unc	240	874 52 06-36	Perno 3/8-16 unc x 2-1/4
41	584 95 39-01	Perno 313-18 x 1.19	241	532 15 29-27	Tornillo
42	532 19 84-10	Resorte de torsión del freno	242	532 41 55-98	Puerto de Lavado de la Cubierta
43	532 19 72-56	Resorte de torsión de retención	--	532 41 64-05	Eganche
46	532 13 77-29	Tornillo	--	532 43 18-23	Reemplazo de la cortadora de césped, completa
47	532 19 72-50	Soporte del cable de embrague			
55	532 19 72-49	Brazo de la polea			
56	532 19 90-92	Espaciador de retención			
57	817 00 06-16	Tornillo hexagonal con arandela de 3/8-16 x 1			
59	532 14 10-43	Dispositivo de protección de la polea (94)			
60	532 19 94-71	Brazo izquierdo del freno de la cortadora de césped			

NOTA: Las dimensiones de todos los componentes están expresadas en pulgadas americanas. 1 pulgada = 25,4 mm

**TRACTOR MODELO NO. YTA22V46 (96045005300), PRODUCTO NO. 960 45 00-53
ELEVACIÓN DE LA CORTADORA DE CÉSPED**

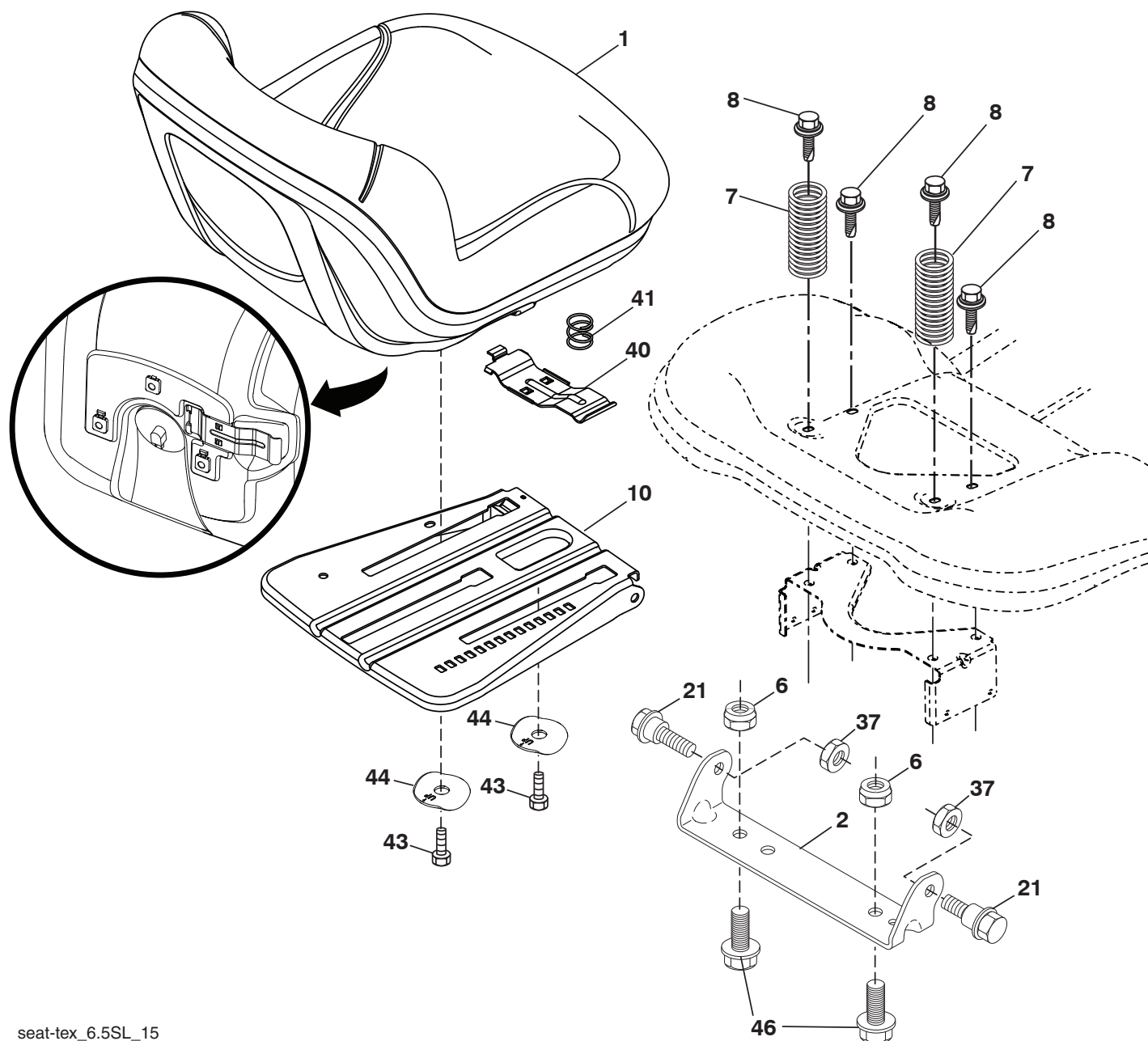


CÓDIGO No.	PIEZA No.	DESCRIPCIÓN
2	532 42 20-27	Ensamble del eje de la elevación
3	594 01 80-01	Ensamble de la palanca de elevación
7	580 96 23-01	Mango de la palanca
10	532 19 63-14	Resorte de torsión
17	596 13 32-01	Arandela de 13/32 x 13/16 x 12
87	532 19 42-09	Pasador de chaveta de 7/16 con bloqueo en forma de mariposa
88	532 41 07-10	Resorte de ayuda de la elevación
89	819 19 19-12	Arandela de zinc transparente
90	532 19 42-08	Pasador de chaveta de 5/16 con bloqueo en forma de mariposa

CÓDIGO No.	PIEZA No.	DESCRIPCIÓN
91	589 46 48-02	Ensamble del acoplamiento Elevación trasera
97	817 00 06-12	Tornillo de 3/8-16 x 0,75
98	581 50 69-04	Ensamble del acoplamiento Elevación Frente
100	595 30 59-01	Tuerca 3/8-16
101	581 50 65-01	Ensamble del acoplamiento Elevación fijo

NOTA: Las dimensiones de todos los componentes están expresadas en pulgadas americanas. 1 pulgada = 25,4 mm

TRACTOR MODELO NO. YTA22V46 (96045005300), PRODUCTO NO. 960 45 00-53 ENSAMBLE DEL ASIENTO



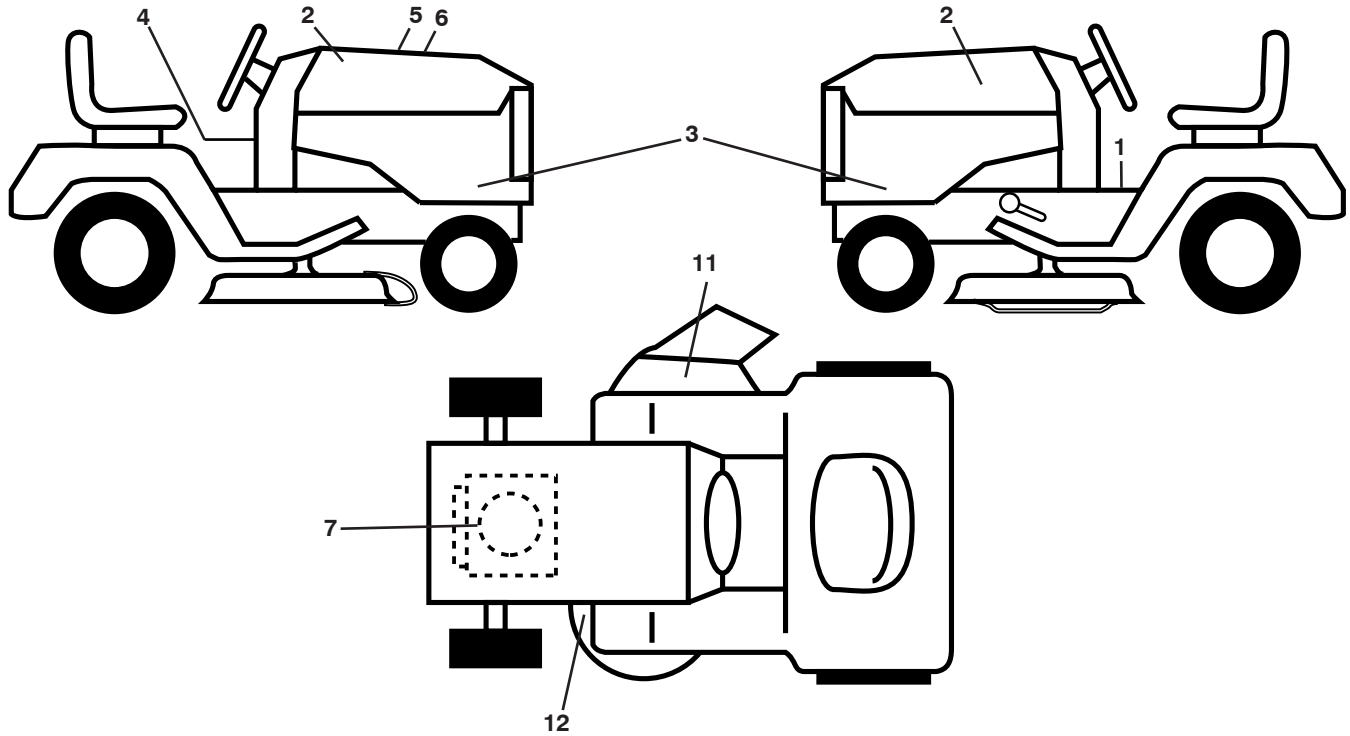
seat-tex_6.5SL_15

CÓDIGO No.	PIEZA No.	DESCRIPCIÓN
1	532 43 98-22	Asiento
2	532 18 01-66	Soporte pivotante del guardabarros
6	873 80 06-00	Tuerca de presión c/aislamiento de 3/8-16 unc
7	589 48 35-01	Resorte del asiento
8	532 17 18-77	Perno de 5/16" unc x 3/4"
10	596 65 74-02	Bandeja del asiento
21	587 90 78-01	Perno de tope de 5/16-18 x 5/8
37	596 58 37-02	Tuerca 5/16-18

CÓDIGO No.	PIEZA No.	DESCRIPCIÓN
40	595 08 81-02	Manija para deslizar el asiento x 431
41	532 19 82-00	Resorte para trabar el asiento
43	874 76 06-12	Perno de cabeza hexagonal con aleta de 3/8-16 unc x 3/4
44	501 05 18-01	Arandela
46	588 09 04-01	Perno 3/8 x 1, 1.25 OD

NOTA: Las dimensiones de todos los componentes están expresadas en pulgadas americanas. 1 pulgada = 25,4 mm

**TRACTOR MODELO NO. YTA22V46 (96045005300), PRODUCTO NO. 960 45 00-53
CALCOMANÍAS**



**CÓDIGO PIEZA
No. No.**

DESCRIPCIÓN

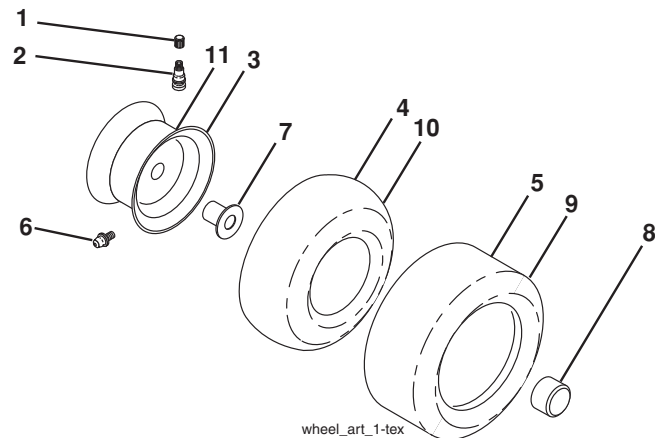
1	581 57 87-01	Calcomanía para el guardabarros
2	581 62 73-01	Calcomanía para la capota
3	501 20 38-01	Calcomanía para el panel capota
4	596 02 42-01	Calcomanía advertencia equipo apagachispas
5	532 42 38-29	Calcomanía del operador
6	501 11 22-01	Calcomanía de reemplazo
7	585 55 69-01	Calcomanía de motor
11	584 90 46-01	Calcomanía del advertencia
12	581 58 00-01	Calcomanía del diagrama de la cortadora de césped

**CÓDIGO PIEZA
No. No.**

DESCRIPCIÓN

--	581 72 48-01	Calcomanía para la desviación
--	580 88 58-01	Calcomanía E85 advertencia
--	532 43 96-81	Forro del apoyo para los pies (L.I.)
--	532 43 96-82	Forro del apoyo para los pies (L.D.)
--	115 47 32-26	Manual del Operario (Inglés/Español)
--	115 47 33-49	Manual de Repuestos (Inglés/Español)
--	587 71 00-26	Guía de inicio rápido (Inglés/Español)

RUEDAS Y NEUMÁTICOS



**CÓDIGO PIEZA
No. No.**

DESCRIPCIÓN

1	532 05 91-92	Tapa de la válvula del neumático
2	532 06 51-39	Vástago de la válvula
3	532 13 83-36	Ensamble de las llantas delanteras
4	532 05 99-04	Cámara delantera (Mantenimiento sólo)
5	532 10 62-22	Neumático delantero 15 x 6-6
6	532 00 02-78	Accesorio para engrasar
7	532 00 90-40	Rodamiento de la brida
8	532 17 50-39	Tapa del eje 1 50 x 1 00
9	532 13 84-68	Neumático 20 x 8-8
10	532 00 71-52	Neumático trasero 9.5 x 8
11	532 13 83-37	Ensamble trasero de la llanta 8"
--	532 14 43-34	Sellador para neumáticos (tubo de 10 onzas [283 gr])

NOTA: Las dimensiones de todos los componentes están expresadas en pulgadas americanas. 1 pulgada = 25,4 mm

SERVICE NOTES / AVISO



www.husqvarna.com