

**Repair Parts Manual**  
**Manual De Repuestos**  
**YTH18K42/96048010000**

Please read the operator's manual carefully and make sure you understand the instructions before using the machine.

Por favor lea cuidadosamente y comprenda estas instrucciones antes de usar esta maquina.



**English/Spanish**

**589 65 71-01 Rev. 2**



# HOW TO USE THIS MANUAL

This manual is designed to provide the customer with a means to identify the parts on his/her tractor when ordering repair parts. The illustrations may or may not represent the actual assemblies; therefore, it is not recommended to use this manual as a guide to assemble or disassemble the tractor. Some hardware and parts are drawn larger in order to more readily identify them.

Each tractor has its own model number. The model number for your tractor can be found on the fender under the seat.

## Support / Help

If you require assistance or have questions concerning the application, operation, maintenance or parts for your product:

- Visit our website: [www.husqvarna.com](http://www.husqvarna.com)
- Call Us Toll Free: 1-800-487-5951

When ordering parts, always give the following information:

- Product - "TRACTOR"
- MODEL NUMBER - "YTH18K42" (96048010000)"
- Part Number
- Part Description

## TABLE OF CONTENTS

SCHEMATIC .....	3
ELECTRICAL.....	4-5
CHASSIS .....	6-7
DRIVE.....	8-9
ENGINE.....	10-11
STEERING .....	12-13
MOWER DECK.....	14-15
MOWER LIFT.....	16
SEAT .....	17
DECALS.....	18

## COMO UTILIZAR ESTE MANUAL

Este manual está diseñado para brindarle al comprador un medio para identificar las piezas del tractor para cuando necesite hacer el pedido de un repuesto. Las ilustraciones pueden o no representar los ensambles reales; por lo tanto, no se recomienda utilizar este manual como una guía para ensamblar o desarmar el tractor. Algunos accesorios y piezas están dibujados en tamaños más grandes para identificarlos con mayor facilidad.

Cada tractor tiene su propio número de modelo. El número de modelo del tractor se encuentra en el guardabarros debajo del asiento.

## Soporte / Ayuda

Si necesita asistencia o tiene alguna pregunta acerca de la aplicación, operación, mantenimiento o piezas de su producto:

- Visite nuestro sitio web: [www.husqvarna.com](http://www.husqvarna.com)
- Llámenos de manera gratuita al: 1-800-487-5951

Cuando haga el pedido de una pieza, siempre brinde la siguiente información:

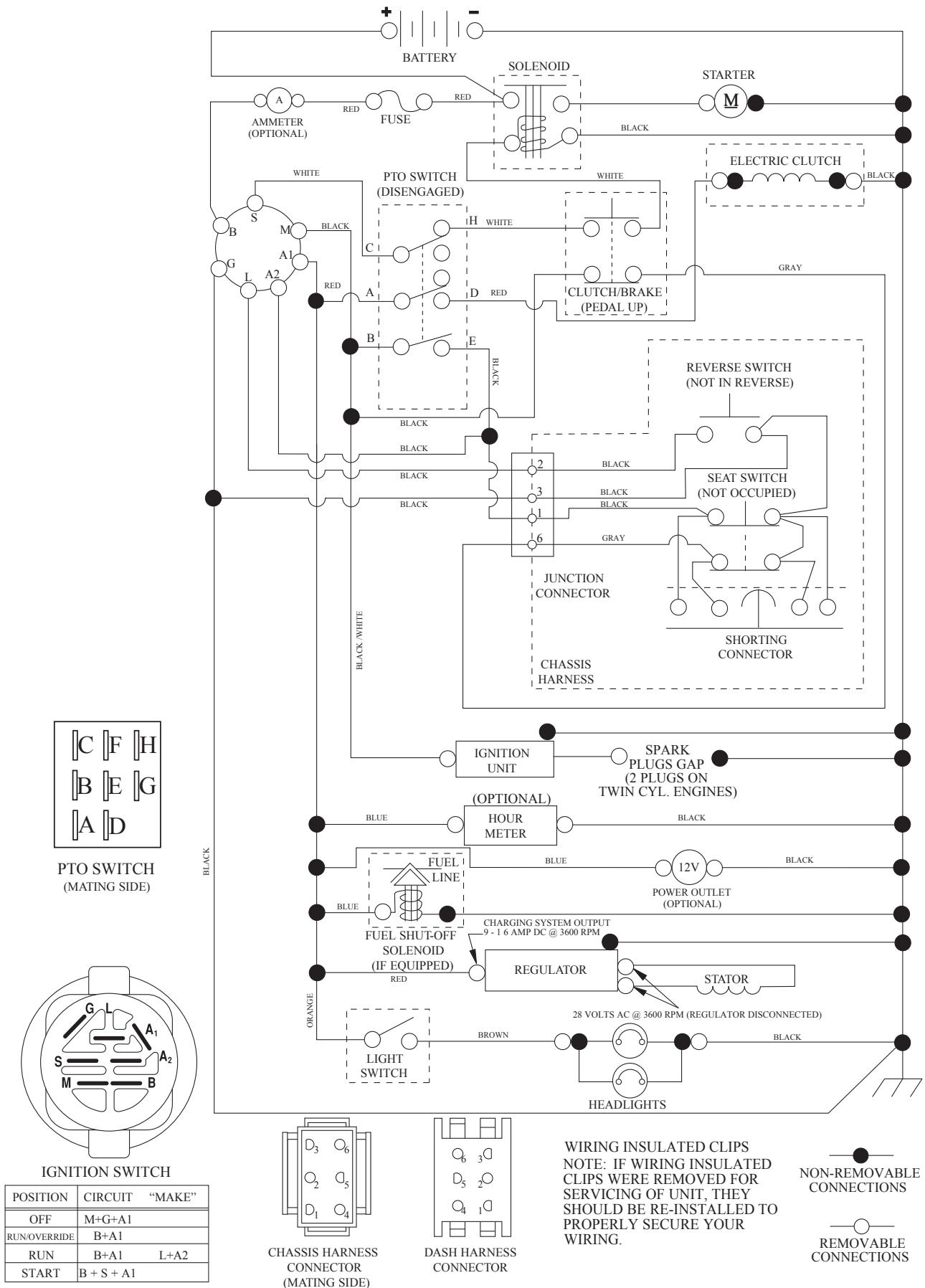
- Producto: "TRACTOR"
- NÚMERO DE MODELO: "YTH18K42" (96048010000)"
- Número de pieza
- Descripción de la pieza

## ÍNDICE

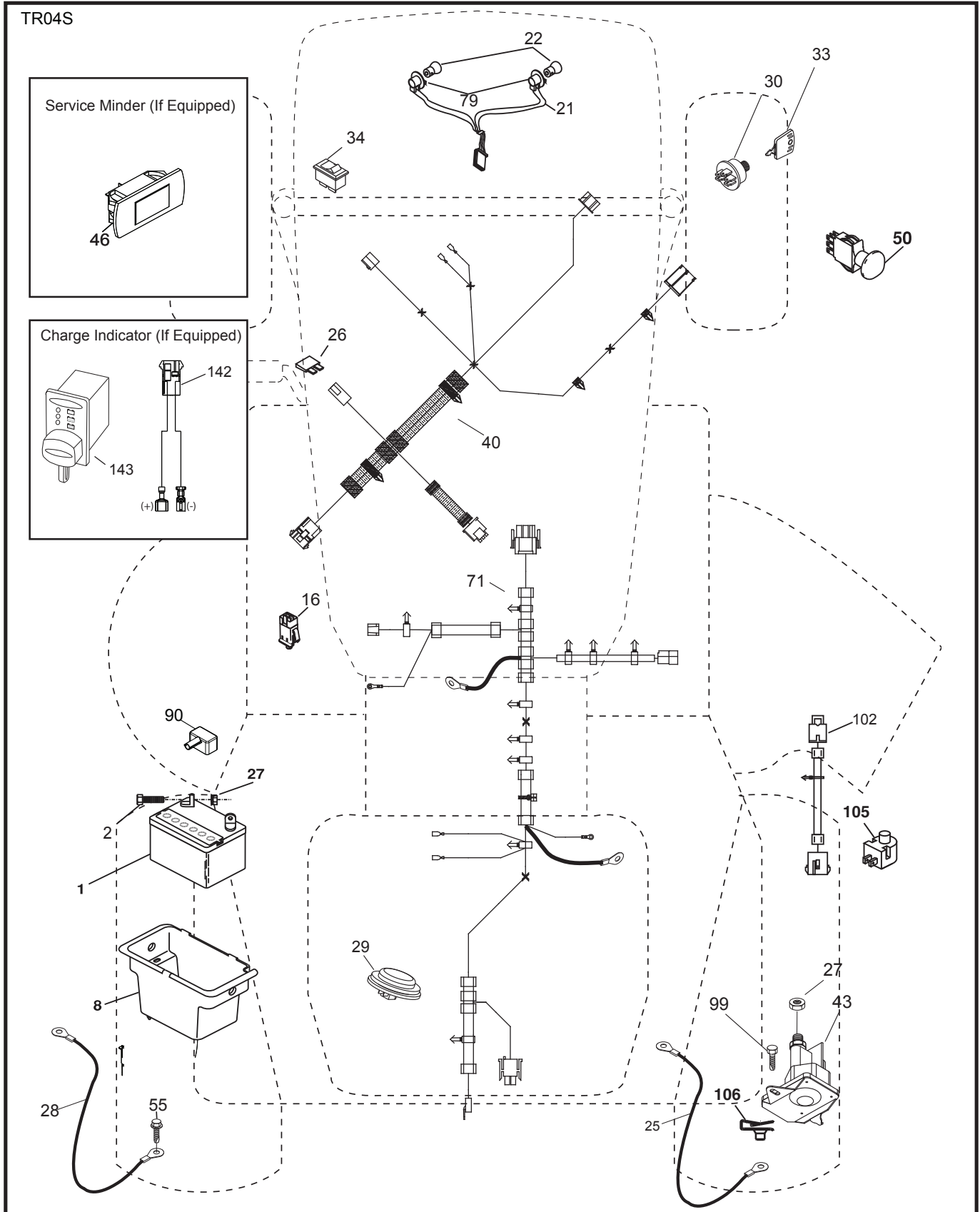
DIAGRAMA.....	19
DIAGRAMA ELÉCTRICO.....	20-21
CHASIS .....	22-23
TRANSMISIÓN .....	24-25
MOTOR.....	26-27
DIRECCIÓN .....	28-29
PLATAFORMA DE LA CORTADORA DE CÉSPED.....	30-31
ELEVACIÓN DE LA CORTADORA DE CÉSPED.....	32
ASIENTO.....	33
CALCOMANÍAS.....	34

# TRACTOR - MODEL NO. YTH18K42 (9604801000), PRODUCT NO. 960 48 01-00 SCHEMATIC

SCH12



**TRACTOR - MODEL NO. YTH18K42 (9604801000), PRODUCT NO. 960 48 01-00  
ELECTRICAL**

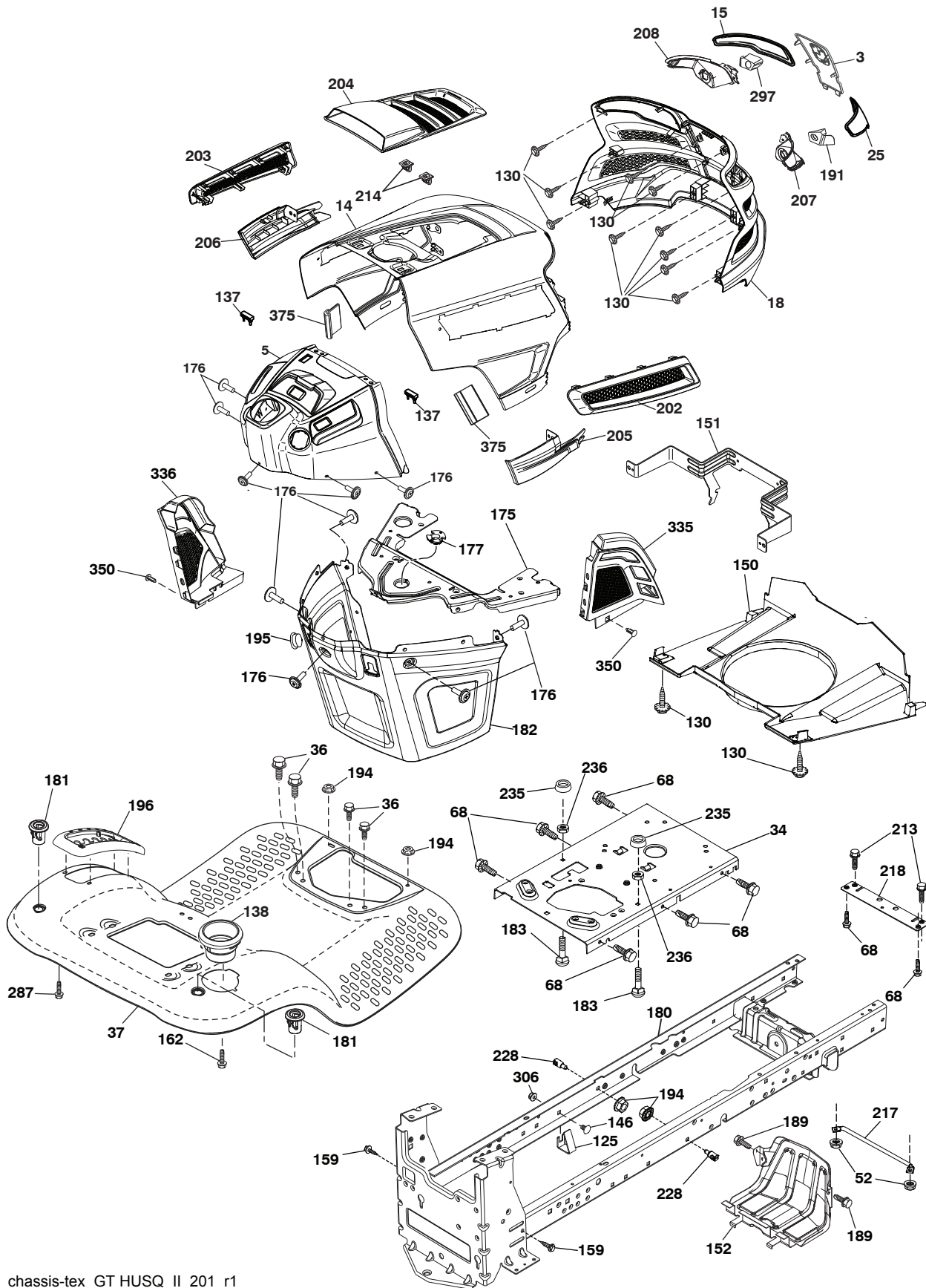


**TRACTOR - MODEL NO. YTH18K42 (96048010000), PRODUCT NO. 960 48 01-00  
ELECTRICAL**

<b>KEY NO.</b>	<b>PART NO.</b>	<b>DESCRIPTION</b>
1	532 16 34-65	Battery
2	874 76 04-12	Bolt Hex Head 1/4-20 x 3/4
8	532 19 32-28	Box Battery
16	532 17 61-38	Switch Interlock Push-In
21	532 40 02-52	Harness Socket Light w/4152J
22	532 00 41-52	Bulb Light
25	581 49 80-01	Cable Batt. Red
26	532 17 51-58	Fuse
27	873 51 04-00	Nut Keps Hex 1/4-20 unc
28	532 42 16-86	Cable, Ground
29	532 40 15-45	Switch, Seat
30	532 19 33-50	Switch, Ign
33	532 41 19-35	Key/Chain
34	532 11 07-12	Switch Light/Reset
40	581 02 32-01	Harness Dash
43	582 04 28-01	Solenoid
46	586 16 18-01	Gauge Serviceminder Hrmtr
50	582 10 76-01	Switch PTO
55	817 06 05-12	Screw Thdrol 5/16-18 x 3/4 TYTT
71	501 13 37-01	Harness Chassis
79	532 17 52-42	Socket Asm. Bulb
90	532 43 53-95	Cover Terminal
99	817 67 04-12	Screw Hxwsh Thdrl 1/4-20 x 3/4
102	532 40 44-54	Harness Pigtail
105	532 40 75-68	Switch Reverse
106	532 17 48-14	Palnut 1/4 Lugs

**NOTE:** All component dimensions given in U.S. inches  
1 inch = 25.4 mm

**TRACTOR - MODEL NO. YTH18K42 (9604801000), PRODUCT NO. 960 48 01-00**  
**CHASSIS**



chassis-tex\_GT HUSQ\_II\_201\_r1

**TRACTOR - MODEL NO. YTH18K42 (96048010000), PRODUCT NO. 960 48 01-00  
CHASSIS**

<b>KEY NO.</b>	<b>PART NO.</b>	<b>DESCRIPTION</b>
3	532 44 44-81	Applique Sub Asm.
5	579 77 05-01	Dash
14	532 44 11-77	Hood
15	532 43 97-33	Lens LH
18	532 44 06-53	Grille
25	532 44 33-85	Lens RH
34	580 91 08-01	Plate Engine
36	817 06 05-12	Screw 5/16-18 x 3/4
37	532 44 12-06	Fender
52	873 68 05-00	Nut Lock 5/16-18
68	817 49 05-08	Screw Thdrol 5/16-18 x 1/2
125	581 68 48-01	Clip Fuel Line
130	532 41 63-58	Screw #10 x 0.750
137	532 40 75-90	Bumper Dash
138	532 43 97-47	Cupholder
146	581 85 79-01	Bolt
150	532 43 97-31	Air Duct
151	532 43 66-70	Bracket Pivot
152	532 43 98-70	Shield Browning
159	817 00 06-12	Screw Hexwsh Thrd 3/8-16 x 3/4
162	532 14 24-32	Screw
175	532 19 63-04	Crossmember
176	532 40 07-76	Screw 10-24 x 5/8
177	532 19 52-28	Bushing Steering
180	532 19 54-57	Chassis
181	532 43 97-46	Bushing Mtg. Fender Crgo
182	532 40 68-59	Dash Lower
183	874 52 05-20	Bolt 5/16-18 x 1-1/4
189	817 00 05-12	Screw 5/16-18 x 3/4

<b>KEY NO.</b>	<b>PART NO.</b>	<b>DESCRIPTION</b>
191	532 43 74-55	Insert Reflective RH
194	873 90 05-00	Nut Lock Hex Flange 5/16-18
195	532 40 41-37	Plug Hole Dash Lower
196	532 43 96-47	Console Asm. Deck Lift
202	532 43 97-28	Vent Side Hood RH
203	532 43 97-27	Vent Side Hood LH
204	532 43 57-14	Vent Top Hood
205	532 43 97-30	Skirt Hood Side RH
206	532 43 97-29	Skirt Hood Side LH
207	532 43 97-34	Bezel RH
208	532 43 97-35	Bezel LH
213	874 76 05-12	Bolt 5/16-18 x 3/4
214	532 19 91-45	Clip Retainer Tinner
217	532 40 91-67	Rod Pivot
218	532 19 63-95	X-Piece Hood Stop
228	532 19 51-61	Stud Fastner
235	532 40 61-29	Spacer Fender
236	873 93 05-00	Nut Lock 5/16-18 unc
287	817 60 04-06	Screw 1/4-20 x 3/8
297	532 43 74-56	Insert Reflective LH
306	873 90 06-00	Nut Lock
335	532 44 82-04	Cover RH
336	532 44 53-09	Cover LH
350	532 44 51-43	Clip X-mas Tree
375	586 90 82-01	Bumper Dash

**NOTE:** All component dimensions given in U.S. inches  
1 inch = 25.4 mm



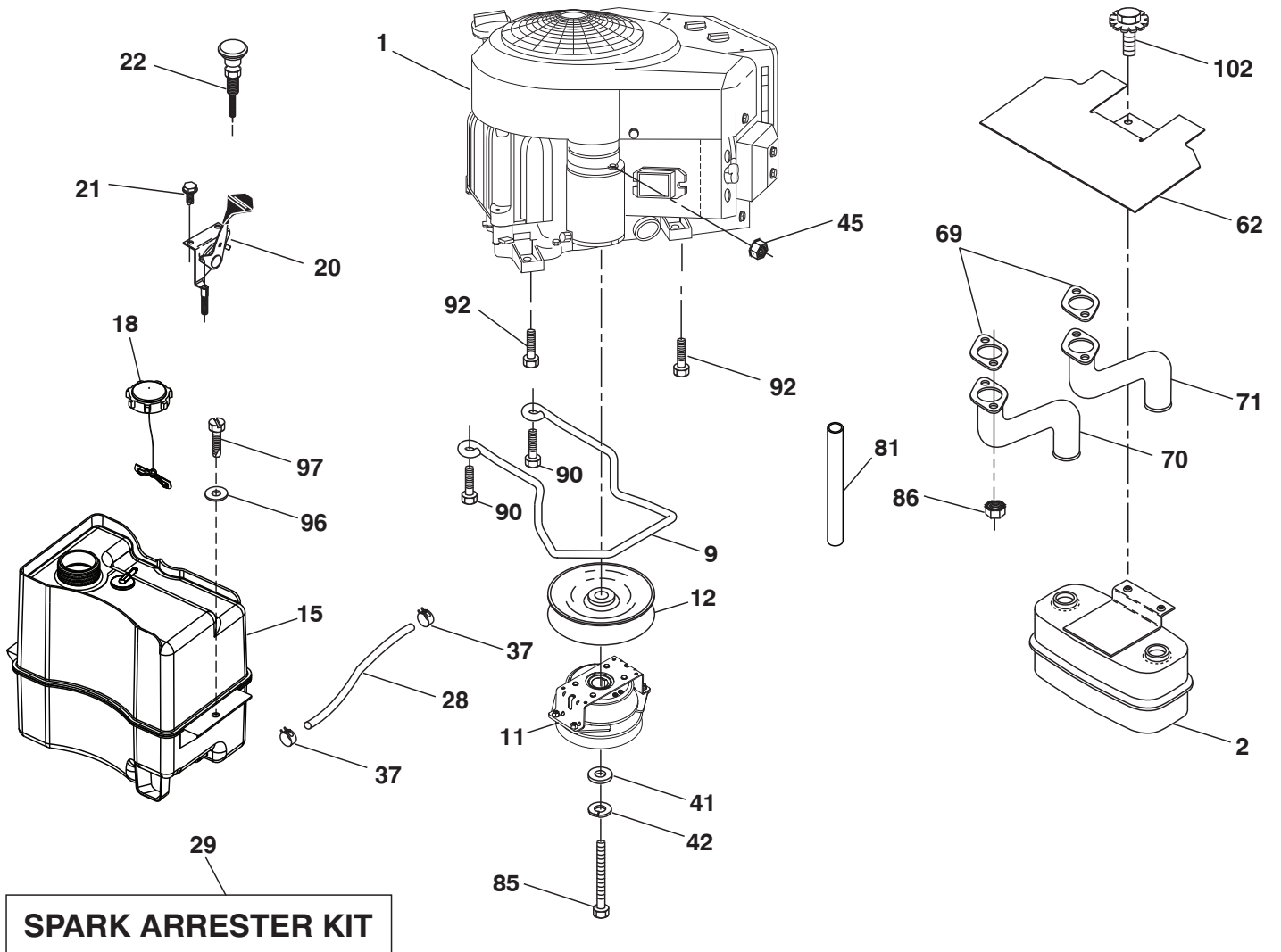


**TRACTOR - MODEL NO. YTH18K42 (96048010000), PRODUCT NO. 960 48 01-00  
DRIVE**

KEY NO.	PART NO.	DESCRIPTION	KEY NO.	PART NO.	DESCRIPTION
1	---	Transaxle, Tufftorq K46BT (426120) (Order parts from transaxle manufacturer.)	183	532 13 70-57	Spacer Axle
2	532 12 35-83	Key Square	184	587 65 37-01	Handle Parking Brake
15	819 13 13-16	Washer 13/32 x 13/16 x 16 Ga.	185	872 11 06-22	Bolt
17	532 41 36-78	Spring, Brake	186	532 19 43-21	Spacer Retainer
26	532 19 96-79	Spring Return Cruise	187	819 13 32-10	Washer
29	532 40 38-06	Rod, Brake	188	582 21 70-01	Link Clutch Ground Drive, Long
33	812 00 00-01	Ring E	189	532 19 43-17	Bellcrank Ground Drive
35	583 86 45-01	Rod, Brake, Park	190	532 19 43-18	Keeper Bellcrank Ground Drive
37	532 18 89-67	Washer .793 x 1.637 x 060	196	817 00 06-16	Screw 3/8-16 x 1 Smgl
42	532 12 48-72	Cover, Foot Pedal	197	585 65 86-01	Clutch Antirotation
49	872 11 06-14	Bolt	205	532 12 17-48	Washer 25/32 x 1-5/8 x 16 Ga.
50	532 19 43-27	Pulley Idler Flat	206	532 44 85-96	Bracket Mount Latch Cruise
51	873 90 06-00	Lock Nut 3/8-16	207	587 03 14-01	Latch Control Cruise
52	532 19 43-26	Idler V-Groove	208	532 19 78-69	Gear Sector Control Cruise
56	532 13 09-69	V-Belt, Drive	209	532 19 95-92	Rod Control Cruise
64	532 19 78-65	Shaft Asm. Pedal Brake Control	210	532 40 09-80	Rocker Asm. Pedal Control
73	874 49 05-40	Bolt Hex 5/16-18 x 2 1/2 G.5	211	532 12 01-83	Bearing Nylon
92	874 76 05-20	Bolt Fin Hex 5/16-18 unc x 1.25	213	532 40 31-19	Knob Control Cruise
99	532 41 57-42	Rod Spring Bypass	214	532 42 12-63	Pedal Forward
116	873 90 05-00	Nut Lock Hex Flange 5/16-18	215	586 60 65-02	Pedal Reverse
125	817 00 05-12	Screw 5/16-18 x 3/4	216	532 19 61-31	Bracket Pulley Idler
143	817 49 05-08	Screw 5/16-18 x 1/2	221	532 40 31-87	Retainer Spring Clip Handle
153	532 12 47-88	Retainer Spring 1"	222	879 21 20-10	Washer 21/32 x 1-1/4 10 Ga.
159	876 02 04-12	Pin Cotter 1/8 x 3/4	225	532 40 33-19	Keeper Belt Transaxle
160	532 16 94-84	Retainer Clip	227	817 49 05-12	Screw 5/16-18 x 3/4
161	532 10 57-09	Spring, Return, Clutch	325	585 66 85-02	Torque Strap K46 LT RH
163	532 44 82-75	Rod Control	326	585 67 08-02	Bracket TRQ STP 46 20" Tire RH
166	532 42 91-64	Nut Push	336	587 25 96-01	Bolt 5/16 - 18 x 1-3/4 Flanged
167	532 40 52-57	Latch Brake Parking			
170	532 19 43-22	Keeper V-Idler			
171	872 11 06-16	Bolt 3/8-16 unc x 2			

**NOTE:** All component dimensions given in U.S. inches  
1 inch = 25.4 mm

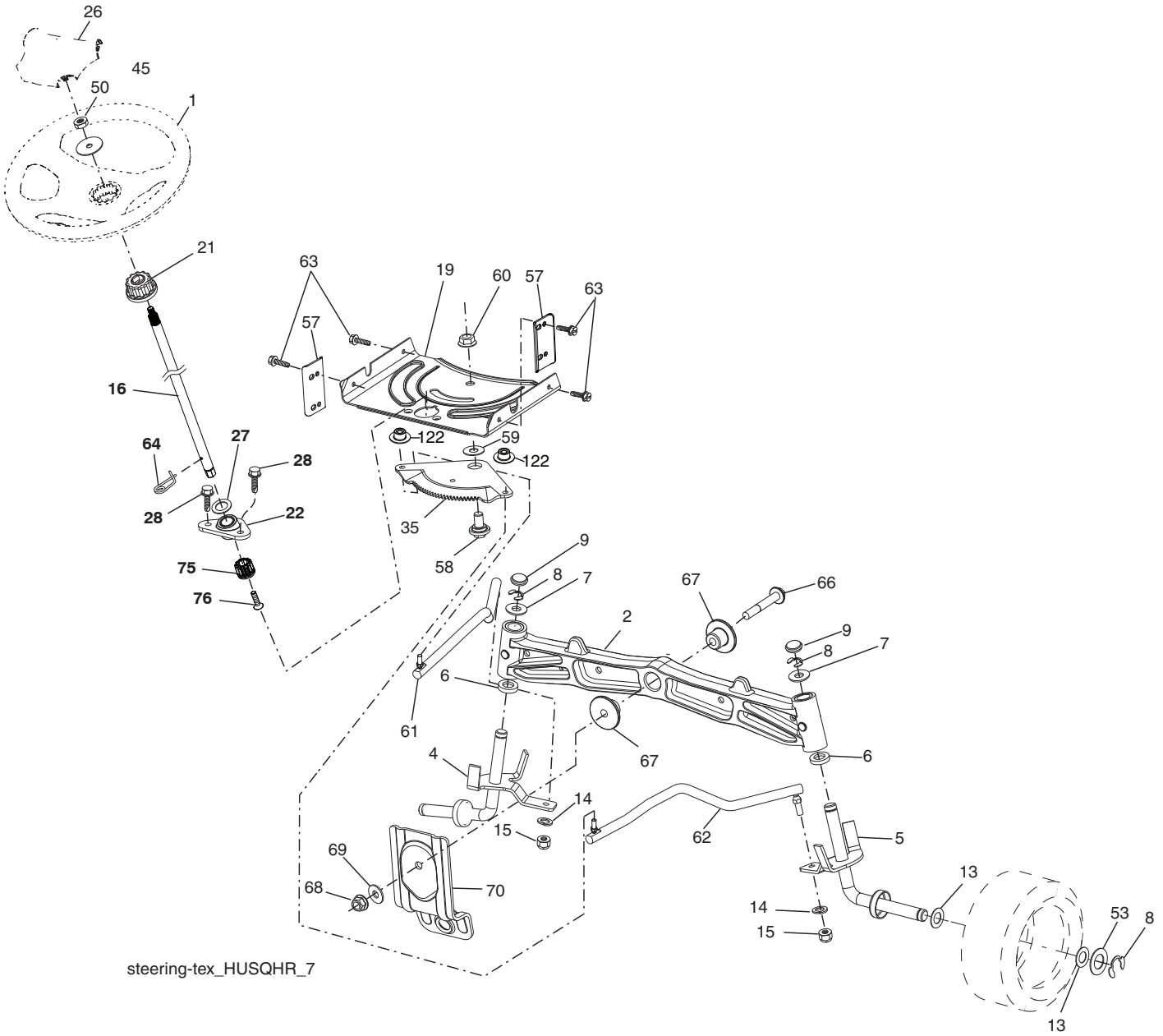
**TRACTOR - MODEL NO. YTH18K42 (9604801000), PRODUCT NO. 960 48 01-00  
ENGINE**



engine-tex\_Kawa-2cyl\_51\_r1



**TRACTOR - MODEL NO. YTH18K42 (9604801000), PRODUCT NO. 960 48 01-00**  
**STEERING ASSEMBLY**



steering-tex\_HUSQHR\_7

**TRACTOR - MODEL NO. YTH18K42 (96048010000), PRODUCT NO. 960 48 01-00  
STEERING ASSEMBLY**

<b>KEY NO.</b>	<b>PART NO.</b>	<b>DESCRIPTION</b>
1	532 43 97-40	Wheel, Steering
2	532 19 59-68	Axle Cast Iron
4	532 40 30-87	Spindle Asm., LH
5	532 40 30-88	Spindle Asm., RH
6	532 12 49-31	Washer, Thrust
7	532 12 17-48	Washer 25/32 x 1-5/8 x 16 Ga.
8	812 00 00-29	Ring, Klip #T5304-75
9	532 12 12-32	Cap, Spindle
13	532 12 17-49	Washer 25/32 x 1-1/4 x 16 Ga.
14	810 04 06-00	Washer, Lock Hvy Hlcl Spr 3/8
15	873 54 06-00	Nut, Crown Lock 3/8-24 unf
16	587 01 60-02	Steering Shaft
19	532 19 47-29	Plate Steering
21	586 84 02-01	Adapter Wheel Steering
22	585 02 98-02	Bearing
26	532 43 97-43	Insert, Wheel Steering
27	819 21 16-16	Washer
28	817 00 06-12	Screw 3/8-16 x 3/4
35	532 19 47-32	Gear, Sector Plate
45	587 01 64-01	Washer 3/8 ID 2-3/8 OD 12 Ga. PLTD
50	873 90 06-00	Nut Lock Flg 3/8-16 unc
53	532 18 89-67	Washer Hardened .793 x 1.637 x .060
57	532 40 74-65	Bracket Upstop
58	532 19 47-47	Bolt Shoulder Sector Pivot CFM
59	532 19 47-48	Washer Thrust Sector Steering
60	873 97 10-00	Nut Flange Lock 5/8-11
61	532 19 47-40	Draglink, LH
62	532 19 47-41	Draglink, RH
63	817 00 05-12	Screw 5/16-18 x 3/4
64	532 19 98-49	Retainer Clip Spring Steering
66	871 02 07-48	Bolt Hex Fghd 7/16-14 x 3 Serr
67	532 19 47-37	Bushing PM Front Axle
68	873 90 07-00	Nut Lock Flange 7/16-14 Gr. 5
69	532 19 91-62	Washer 1.5 x .505 x .118
70	585 33 88-01	Bracket Deck Susp. Front
75	580 68 37-01	Pinion
76	580 68 36-01	Screw Head Sock
122	532 44 49-62	Cap Gear

**NOTE:** All component dimensions given in U.S. inches  
1 inch = 25.4 mm

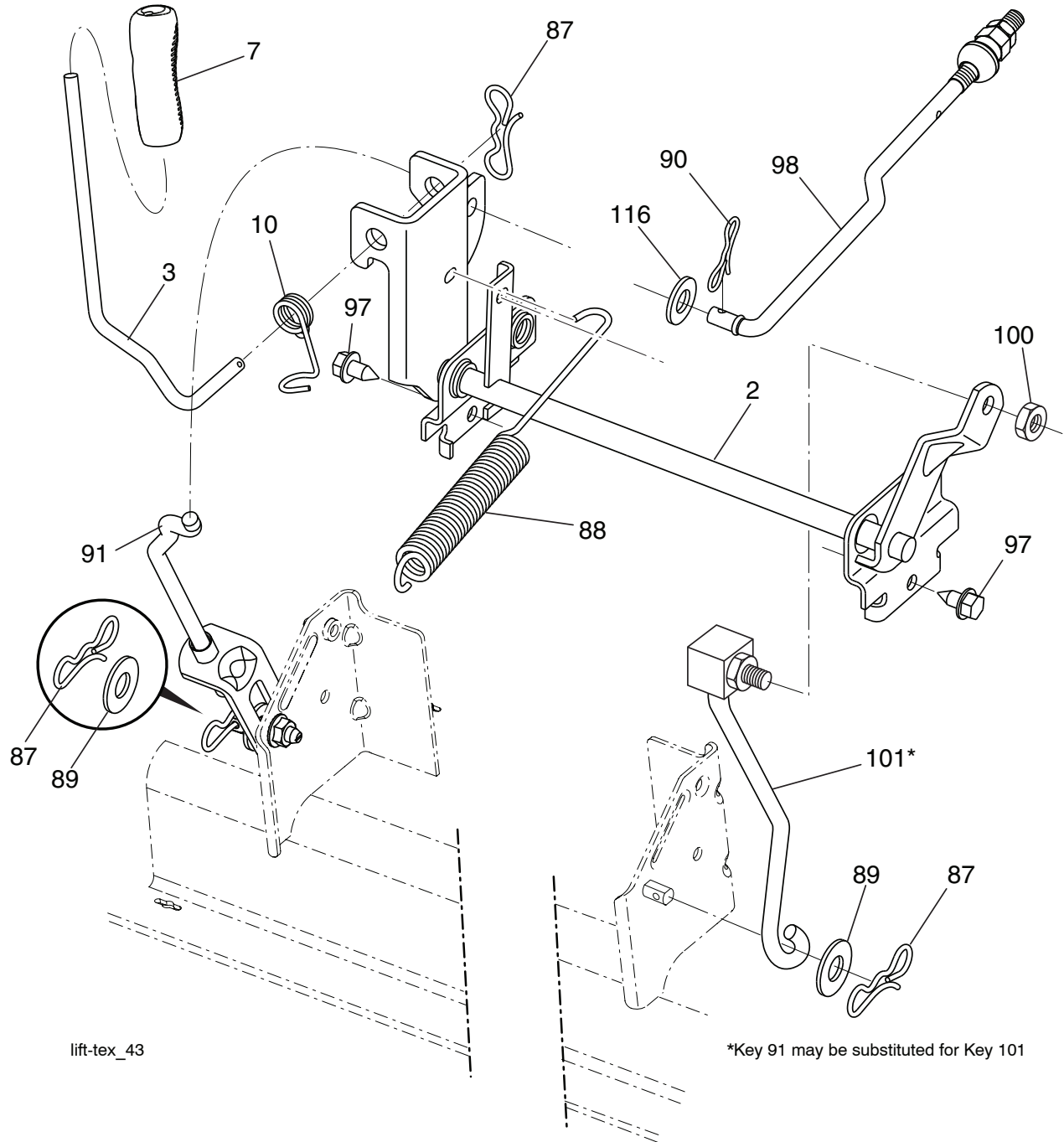


**TRACTOR - MODEL NO. YTH18K42 (96048010000), PRODUCT NO. 960 48 01-00  
MOWER DECK**

<b>KEY NO.</b>	<b>PART NO.</b>	<b>DESCRIPTION</b>	<b>KEY NO.</b>	<b>PART NO.</b>	<b>DESCRIPTION</b>
1	532 44 12-75	Mower Housing	69	872 14 05-05	Bolt
6	532 19 51-86	Arm Suspension	116	532 19 34-06	Bolt Shoulder
11	532 13 89-71	Blade Mower 42" Hi Lift Premium (For better wear when mulching)	117	532 17 48-73	Wheel Gauge
12	584 30 93-01	Screw Sems 7/16-20 x 1 Hex Head	145	532 19 31-97	Pulley Idler
13	587 25 65-01	Shaft Assembly, Mandrel	188	532 19 51-61	Stud Fastener
14	532 18 72-81	Housing, Mandrel	189	873 90 05-00	Nut Lock Hex Flange
15	585 32 39-01	Bearing, Mandrel	190	532 19 72-51	Spring Mower Drive
19	532 19 65-39	Bolt, Shoulder	196	819 13 20-12	Washer 13/32 x 1 x 12 Ga.
20	532 15 97-70	Baffle Vortex	241	532 15 29-27	Screw
21	873 68 05-00	Nut, Crownlock 5/16-18 unc	242	532 41 55-98	Port, Washout
23	532 19 25-57	Bracket, Deflector	254	585 31 68-05	Reinforcement Plate Front
24	532 10 53-04	Cap, Sleeve	255	585 31 70-05	Reinforcement Plate Side
25	532 19 70-26	Spring, Torsion, Deflector	256	539 10 98-00	Carriage Bolt 1/4-20 x 1 Gr. 5
26	532 11 04-52	Nut, Push	257	873 90 04-00	Nut Hex Flange 1/4-20 unc
27	532 40 30-04	Shield, Deflector	--	532 41 64-05	Coupling Quick Connect
29	532 13 14-91	Rod, Hinge	--	587 25 33-01	Mandrel Assembly (Includes hous- ing (Key# 14), shaft assembly (Key# 13), and bearing only (Key# 15) - pulley/nut/washer and blade bolt/washers not included)
32	532 15 35-35	Pulley, Mandrel	--	585 99 53-01	Replacement Mower, Complete
33	532 40 02-34	Nut, Toplock, Flanged			
34	872 11 06-12	Bolt Carr. Sh. 3/8-16 x 1-1/2 Gr. 5			
36	532 19 73-79	Pulley, Idler, Flat			
40	873 90 06-00	Nut, Lock Flg. 3/8-16 unc			
41	584 95 39-01	Bolt Washer Head 313-18 x1.19			
55	532 43 71-10	Arm, Idler			
56	532 19 90-92	Spacer, Retainer			
57	817 00 06-16	Screw 3/8-16 x 1			
59	532 14 10-43	Guard, Tuv. Idler			
62	872 11 06-16	Bolt 3/8-16 unc x 2			
68	532 14 49-59	V-Belt			

**NOTE:** All component dimensions given in U.S. inches  
1 inch = 25.4 mm

**TRACTOR - MODEL NO. YTH18K42 (9604801000), PRODUCT NO. 960 48 01-00**  
**MOWER LIFT**



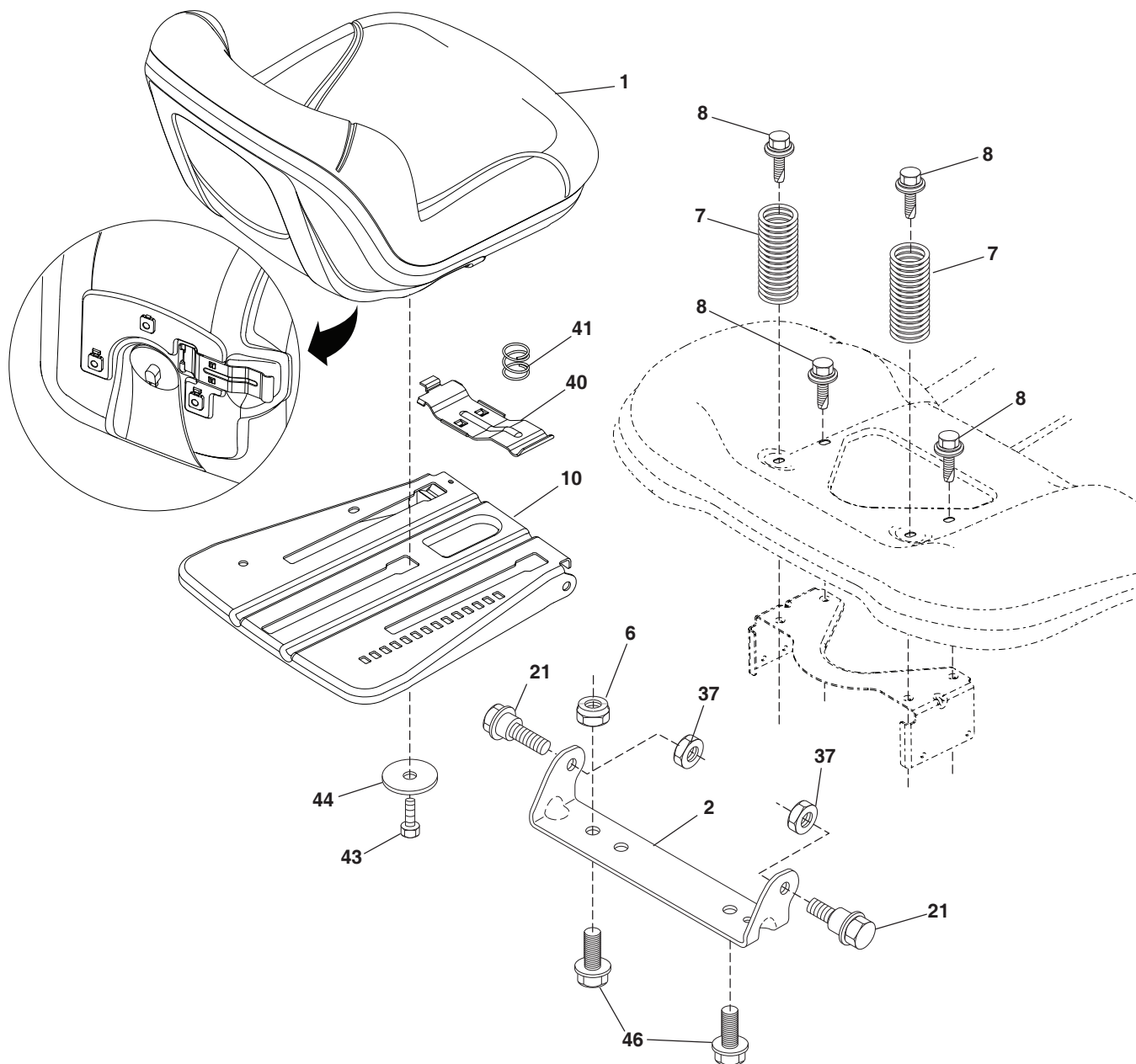
KEY NO.	PART NO.	DESCRIPTION
2	532 42 20-27	Shaft Asm., Lift
3	532 19 52-31	Lever Asm., Lift RH
7	580 96 23-01	Grip, Lever
10	532 19 63-14	Spring Torsion
87	532 19 42-09	Pin Cotter 7/16 Bow Tie Lock
88	532 41 07-10	Spring Lift Assist
89	819 19 19-12	Washer Clear Zinc
90	532 19 42-08	Pin Cotter 5/16 Bow Tie Lock
91	532 19 51-81	Link Lift Susp Mower Rear

KEY NO.	PART NO.	DESCRIPTION
97	817 00 06-12	Screw 3/8-16 x .75 Smgml Tap/R.Z
98	532 19 52-70	Link Lift Susp. Front Mower
100	873 93 06-00	Nut Center Lock 3/8-16 unc
101	532 40 70-03	Link Asm Lift Fixed
116	819 15 15-16	Washer 15/32 x 15/16 x 16 Ga.

**NOTE:** All component dimensions given in U.S. inches  
 1 inch = 25.4 mm



# TRACTOR - MODEL NO. YTH18K42 (96048010000), PRODUCT NO. 960 48 01-00 SEAT ASSEMBLY



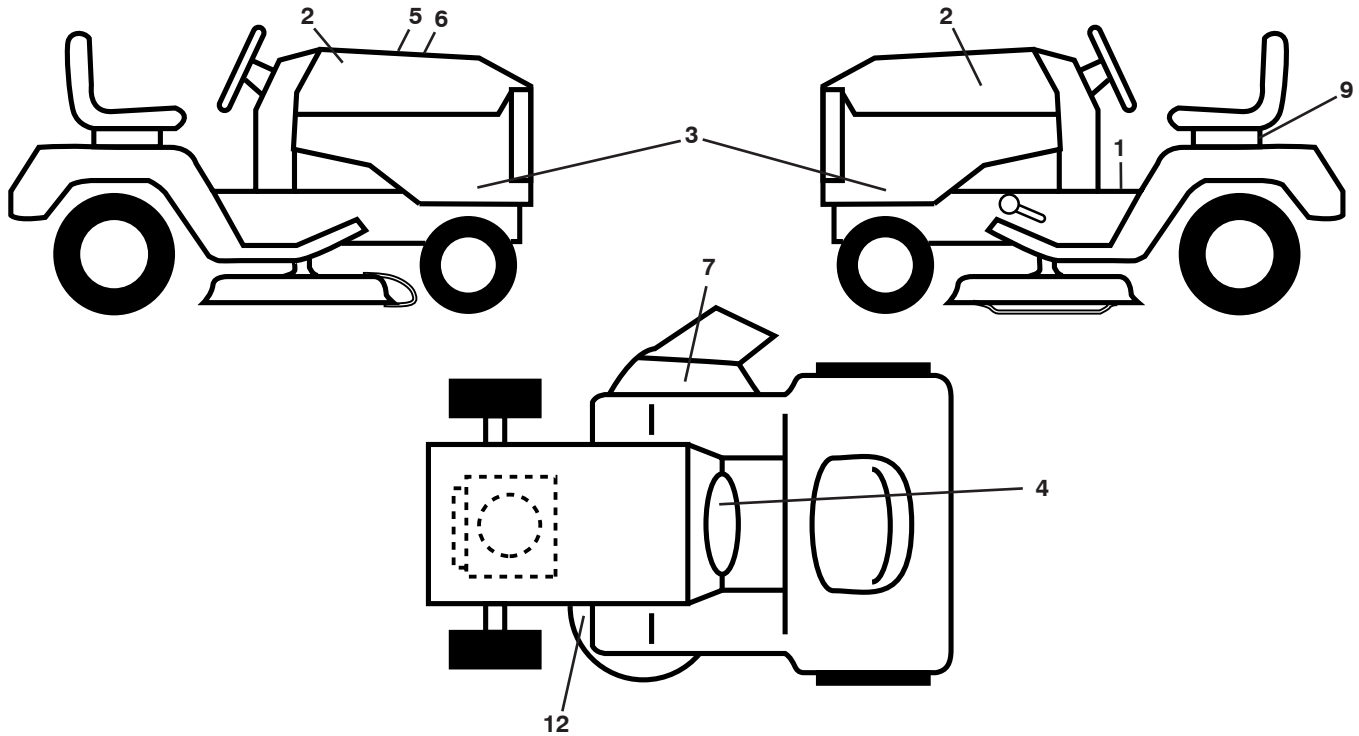
seat-tex\_6.5SL\_9

KEY NO.	PART NO.	DESCRIPTION
1	532 43 98-22	Seat
2	532 18 01-66	Bracket Pivot Fender
6	873 80 06-00	Nut, Lock W/Ins. 3/8-16 unc
7	587 61 33-01	Spring, Seat Cprsn
8	532 17 18-77	Bolt 5/16-18 unc x 3/4 w/Sems
10	532 19 69-77	Pan, Seat
21	587 90 78-01	Bolt, Shoulder 5/16-18 x 5/8
37	873 80 05-00	Nut, Lock 5/16-18 unc

KEY NO.	PART NO.	DESCRIPTION
40	532 19 76-61	Handle Slide Seat
41	532 19 82-00	Spring Latch Seat
43	874 76 06-12	Bolt 3/8-16 x 3/4
44	819 13 38-12	Washer 13/32 x 2-3/8 x 12 Ga.
46	588 09 04-01	Bolt 3/8-16 x 1, 1 25 OD

**NOTE:** All component dimensions given in U.S. inches  
1 inch = 25.4 mm

**TRACTOR - MODEL NO. YTH18K42 (96048010000), PRODUCT NO. 960 48 01-00  
DECALS**



KEY NO.	PART NO.	DESCRIPTION	KEY NO.	PART NO.	DESCRIPTION
1	581 57 90-01	Decal, Fender Warning	--	581 72 48-01	Decal, Bypass
2	581 62 73-01	Decal, Hood	--	532 43 96-81	Pad, Footrest, LH
3	589 64 19-01	Decal, Hood Panel SD	--	532 43 96-82	Pad, Footrest, RH
4	581 57 99-01	Decal, Warning Spark	--	115 86 31-24	Manual Operator's (English/Spanish)
5	532 42 38-29	Decal, Customer Respons.	--	589 65 71-01	Manual Part's (English/Spanish)
6	589 62-61-01	Decal, Replacement	--	587 71 01-26	Quick Start Guide (English/Spanish)
7	584 90 46-01	Decal, Deflect. Warning			
9	532 14 50-05	Decal, Battery Dnge/Poi			
12	581 58 00-01	Decal, Mower V-Belt Schematic			

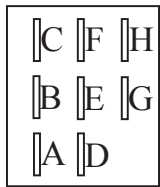
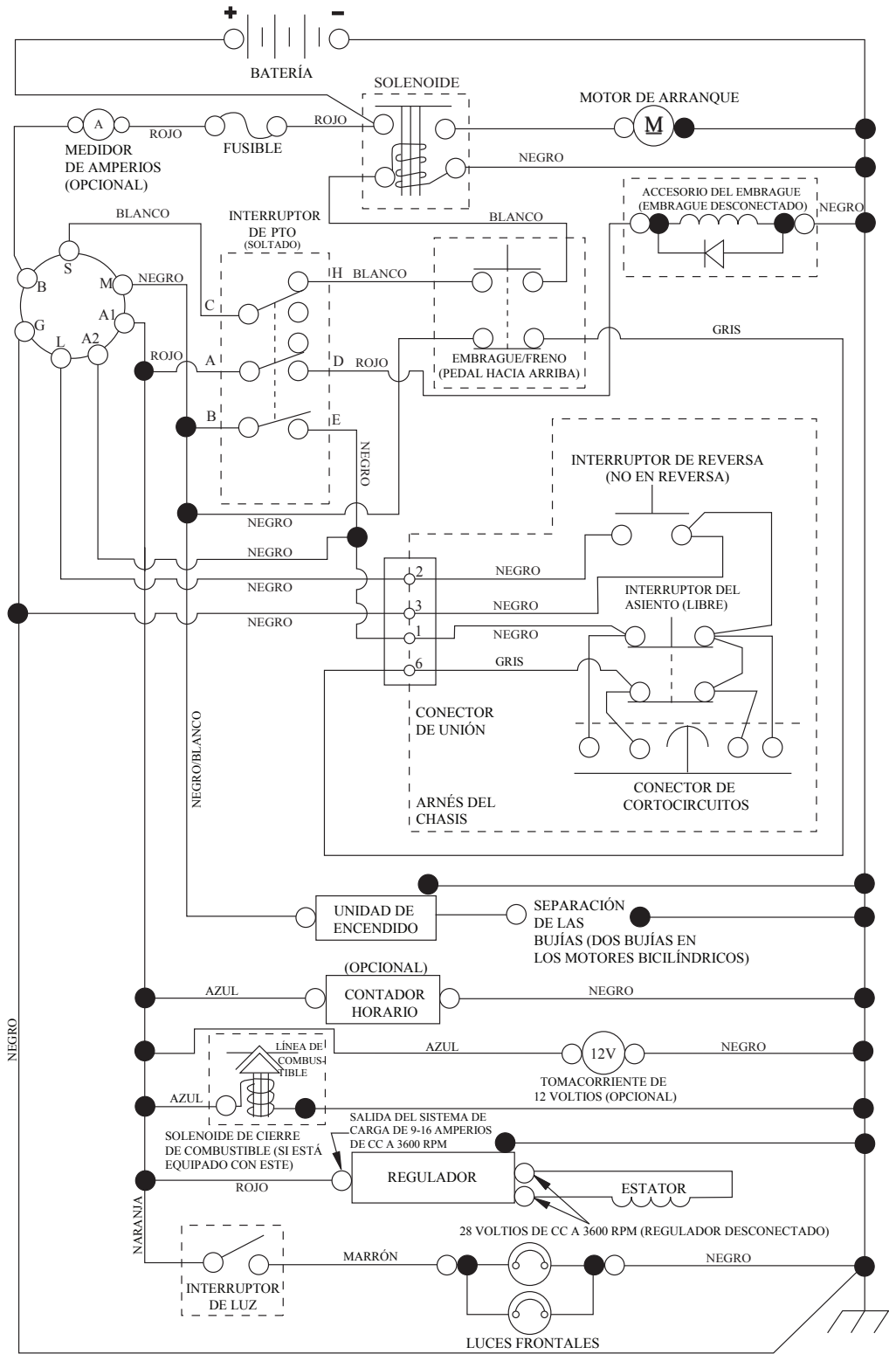
**WHEELS AND TIRES**

KEY NO.	PART NO.	DESCRIPTION
1	532 05 91-92	Cap Valve Tire
2	532 06 51-39	Stem Valve
3	532 13 83-36	Rim Front
4	532 05 99-04	Tube Front (Service Item Only)
5	532 10 62-22	Tire Front 15 x 6-6
6	532 12 49-57	Fitting Grease (Front Wheel Only)
7	532 12 49-59	Bearing Flange (Front Wheel Only)
8	532 17 50-39	Cap Axle Blk 1 50 x 1 00
9	532 13 84-68	Tire Rear 20 x 8-8
10	532 12 49-26	Tube Rear (Service Item Only)
11	532 13 83-37	Rim Asm 8" Rear
--	532 14 43-34	Sealant, Tire (10 oz. Tube)

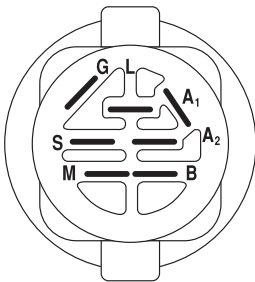
**NOTE:** All component dimensions given in U.S. inches  
1 inch = 25.4 mm

# TRACTOR - MODELO NO. YTH18K42 (96048010000), PRODUCTO NO. 960 48 01-00 DIAGRAMA

SCH12-s



INTERRUPTOR DE PTO (CARA DE ACOPLAMIENTO)



INTERRUPTOR DE ENCENDIDO

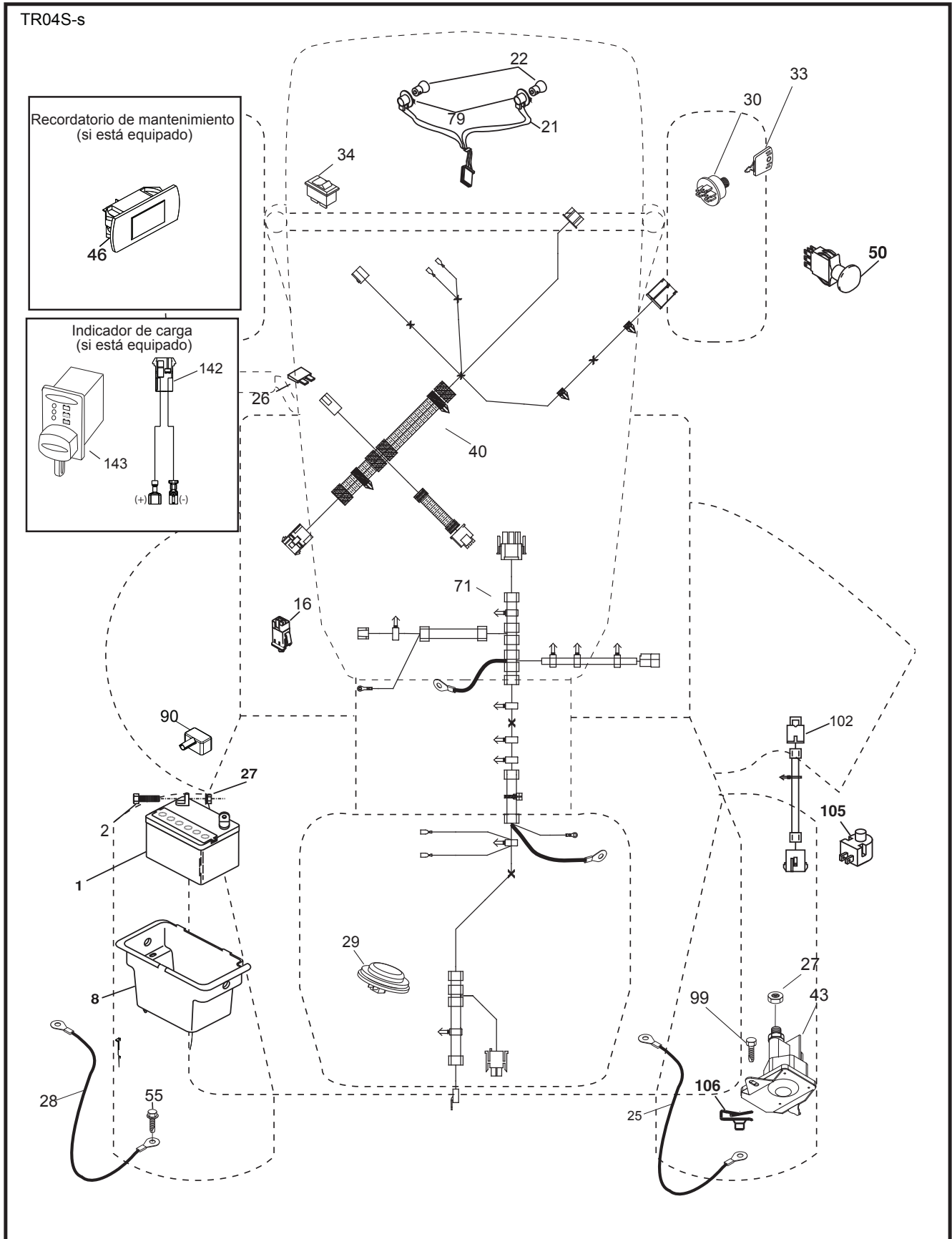
POSICIÓN	CIRCUITO «MARCA»
APAGADO	M+G+A1
PONER EN FUNCIONAMIENTO/ANULAR	B+A1
PONER EN FUNCIONAMIENTO	B+A1 L+A2
ARRANCAR	B + S + A1



NOTA SOBRE LAS ABRAZADERAS DE AISLAMIENTO DEL CABLEADO: SI SE QUITAN LAS ABRAZADERAS DE AISLAMIENTO DEL CABLEADO PARA HACER EL MANTENIMIENTO DE LA UNIDAD, SE LAS DEBERÁ INSTALAR NUEVAMENTE PARA PROTEGER EL CABLEADO ADECUADAMENTE.

● CONEXIONES NO DESMONTABLES  
○ CONEXIONES DESMONTABLES

**TRACTOR - MODELO NO. YTH18K42 (9604801000), PRODUCTO NO. 960 48 01-00**  
**DIAGRAMA ELÉCTRICO**

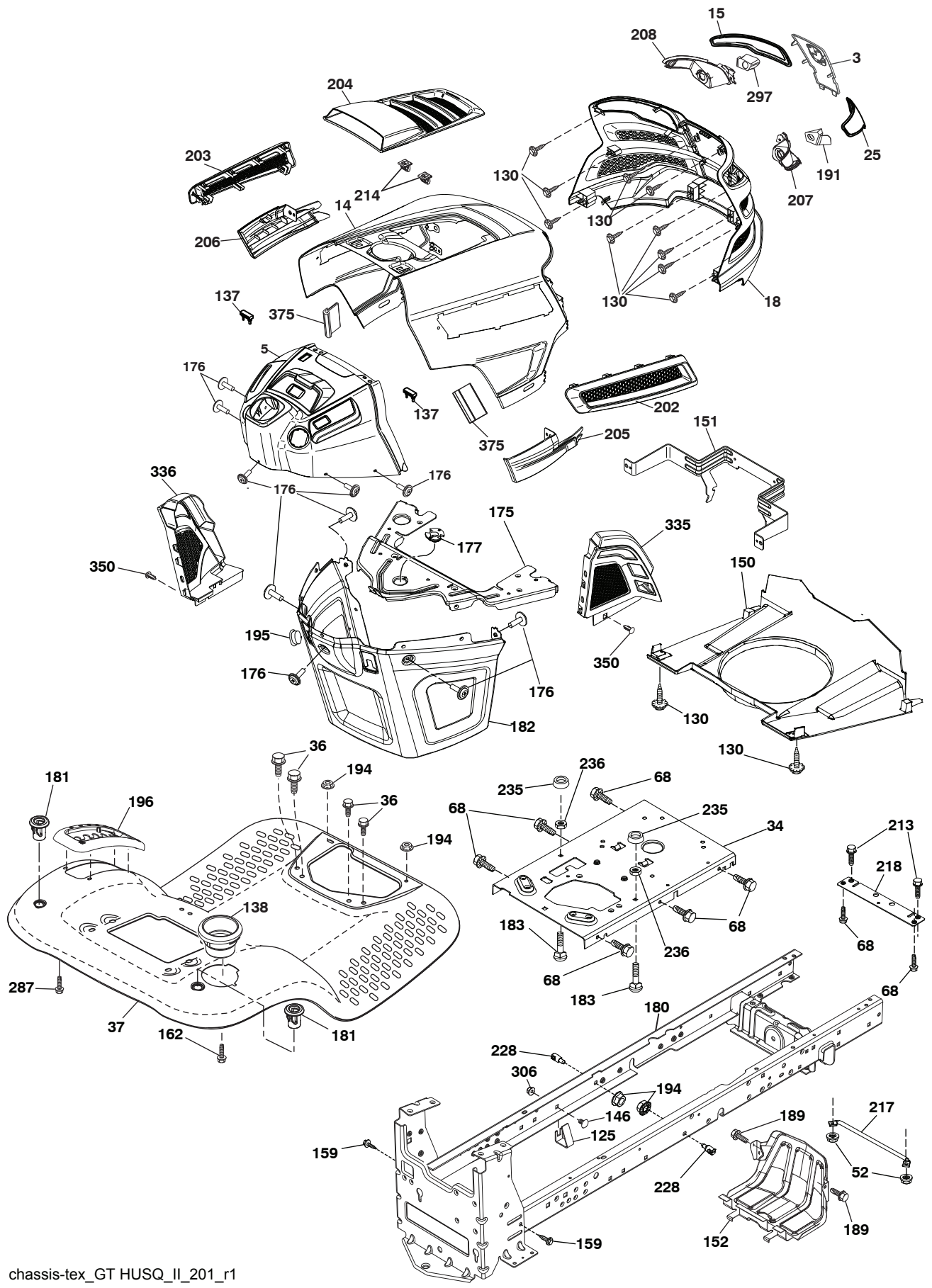


**TRACTOR - MODELO NO. YTH18K42 (96048010000), PRODUCTO NO. 960 48 01-00  
DIAGRAMA ELÉCTRICO**

<b>CÓDIGO No.</b>	<b>PIEZA No.</b>	<b>DESCRIPCIÓN</b>
1	532 16 34-65	Batería
2	874 76 04-12	Perno de cabeza hexagonal de 1/4-20 x 3/4
8	532 19 32-28	Caja de la batería
16	532 17 61-38	Interruptor corta corriente a presión
21	532 40 02-52	Cableado del enchufe para la luz c/4152J
22	532 00 41-52	Bombilla de luz
25	581 49 80-01	Cable
26	532 17 51-58	Fusible
27	873 51 04-00	Tuerca hexagonal Keps de 1/4-20 unc
28	532 42 16-86	Cable a tierra
29	532 40 15-45	Interruptor del asiento
30	532 19 33-50	Interruptor de encendido
33	532 41 19-35	Llave/cadena
34	532 11 07-12	Interruptor de luz/de restauración
40	581 02 32-01	Relé de arnés de encendido eléctrico
43	582 04 28-01	Solenoides
46	586 16 18-01	Indicador SRVCMNDR HRMTR
50	582 10 76-01	Interruptor
55	817 06 05-12	Tornillo de 5/16-18 x 3/4
71	501 13 37-01	Cableado de encendido Chasis
79	532 17 52-42	Enchufe de cierre por torsión del ensamble de la bombilla
90	532 43 53-95	Tapa de los bornes de la batería
99	817 67 04-12	Tornillo 1/4-20 x 3/4
102	532 40 44-54	Cableado
105	532 40 75-68	Interruptor
106	532 17 48-14	Tuerca 1/4

**NOTA:** Las dimensiones de todos los componentes están expresadas en pulgadas americanas. 1 pulgada = 25,4 mm

TRACTOR - MODELO NO. YTH18K42 (96048010000), PRODUCTO NO. 960 48 01-00  
CHASIS



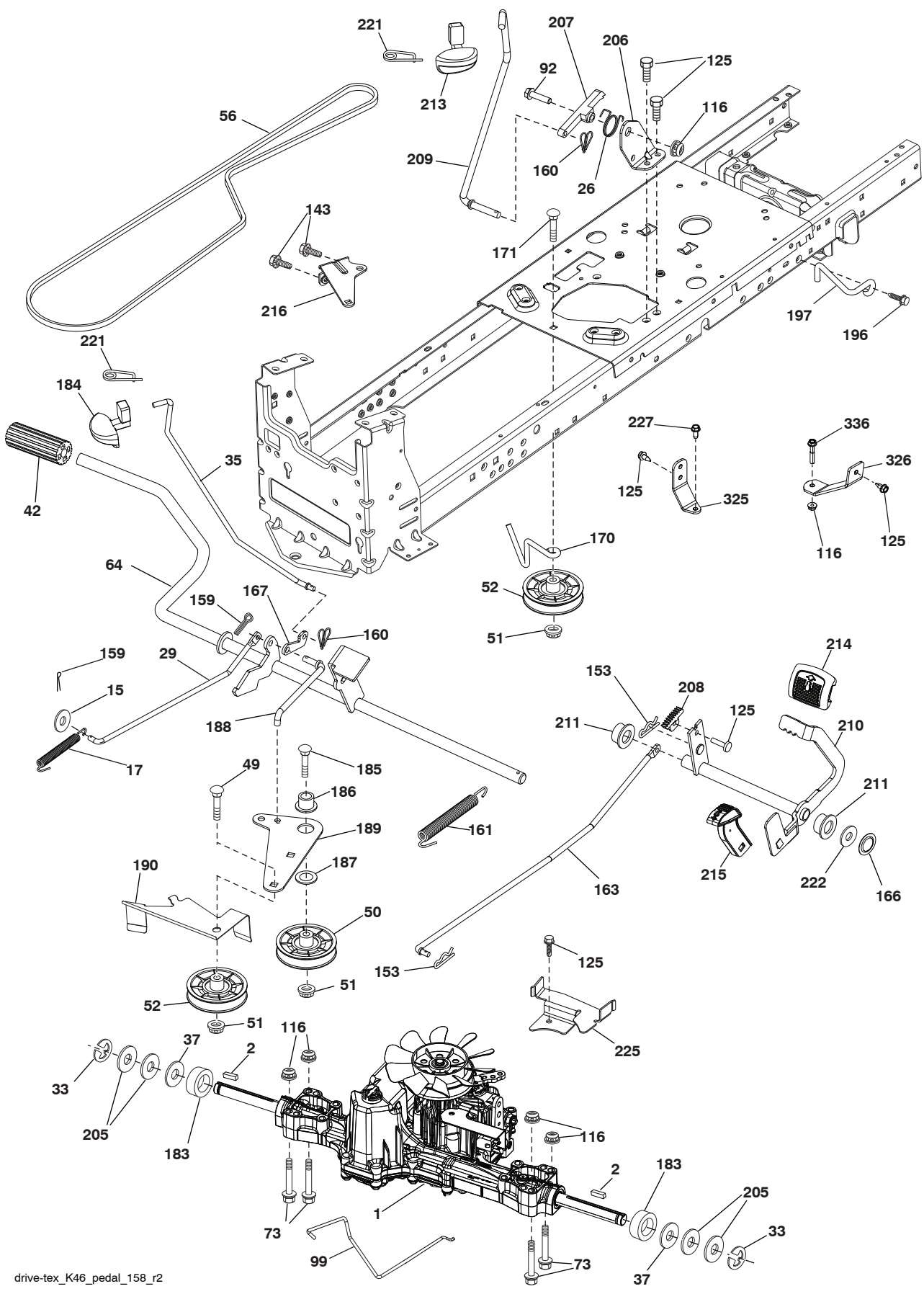
chassis-tex\_GT HUSQ\_II\_201\_r1

**TRACTOR - MODELO NO. YTH18K42 (96048010000), PRODUCTO NO. 960 48 01-00  
CHASIS**

CÓDIGO PIEZA			CÓDIGO PIEZA		
No.	No.	DESCRIPCIÓN	No.	No.	DESCRIPCIÓN
3	532 44 44-81	Aplica Submontaje	191	532 43 74-55	Inserto LD
5	579 77 05-01	Tablero	194	873 90 05-00	Tuerca de presión de 5/16-18
14	532 44 11-77	Capota	195	532 40 41-37	Tapón
15	532 43 97-33	Lente izquierdo de la parrilla	196	532 43 96-47	Ensamble de la consola de la plataforma de elevación
18	532 44 06-53	Parrilla	202	532 43 97-28	Salida de Ventilación (LD)
25	532 44 33-85	Lente derecho de la parrilla	203	532 43 97-27	Salida de Ventilación (LI)
34	580 91 08-01	Chapa Motor	204	532 43 57-14	Salida de Ventilación superior
36	817 06 05-12	Tornillo de 5/16-18 x 3/4	205	532 43 97-30	Camisa de Capota (LD)
37	532 44 12-06	Guardabarros	206	532 43 97-29	Camisa de Capota (LI)
52	873 68 05-00	Tuerca de presión 5/16-18	207	532 43 97-34	Bisel derecho
68	817 49 05-08	Tornillo de 5/16-18 x 1/2	208	532 43 97-35	Bisel izquierdo
125	581 68 48-01	Soporte	213	874 76 05-12	Perno
130	532 41 63-58	Tornillo No. 10 x 0,75	214	532 19 91-45	Cierre
137	532 40 75-90	Cubierta Tablero	217	532 40 91-67	Varilla giratoria
138	532 43 97-47	Portavasos	218	532 19 63-95	Tope
146	581 85 79-01	Perno	228	532 19 51-61	Sujetador del travesaño
150	532 43 97-31	Cubierta térmica del conducto	235	532 40 61-29	Separador del guardabarros
151	532 43 66-70	Soporte	236	873 93 05-00	Tuerca de presión 5/16-18 unc
152	532 43 98-70	Protector contra oscurecimiento	287	817 60 04-06	Tornillo 1/4 - 20 x 3/8
159	817 00 06-12	Tornillo 3/8-16 x 3/4	297	532 43 74-56	Inserto LI
162	532 14 24-32	Tornillo	306	873 90 06-00	Tuerca
175	532 19 63-04	Travesaño	335	532 44 82-04	Cubierta LD
176	532 40 07-76	Tornillo de 10-24 x 5/8	336	532 44 53-09	Cubierta LI
177	532 19 52-28	Buje de dirección	337	532 44 51-43	Cierre del árbol de navidad
180	532 19 54-57	Chasis	375	586 90 82-01	Cubierta
181	532 43 97-46	Buje de soporte del guardabarros de carga			
182	532 40 68-59	Tablero inferior			
183	874 52 05-20	Perno 5/16-18 x 1-1/4			
189	817 00 05-12	Tornillo 5/16-18 X 3/4			

**NOTA:** Las dimensiones de todos los componentes están expresadas en pulgadas americanas. 1 pulgada = 25,4 mm

TRACTOR - MODELO NO. YTH18K42 (9604801000), PRODUCTO NO. 960 48 01-00  
TRANSMISIÓN



drive-tex\_K46\_pedal\_158\_r2



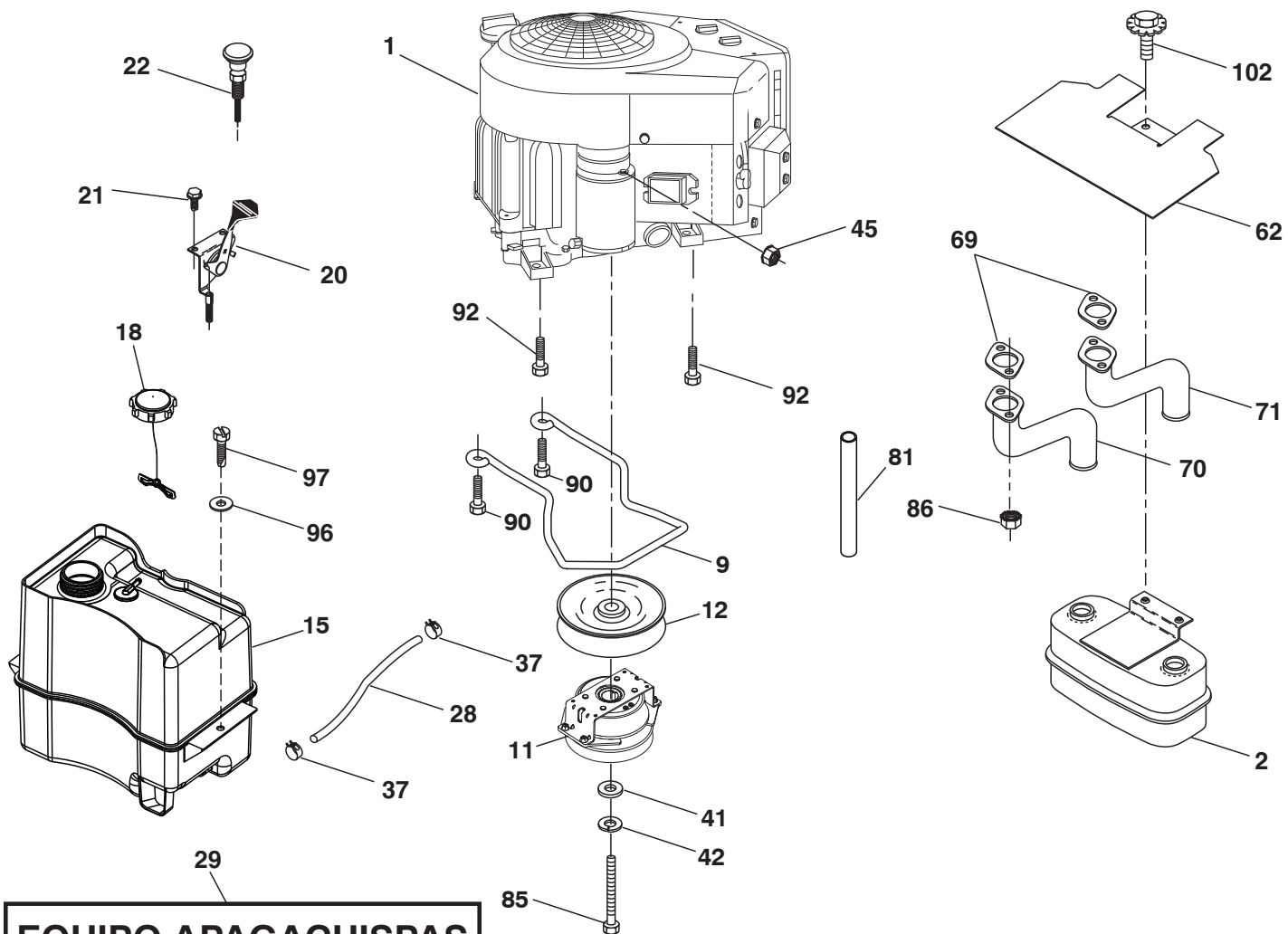
# TRACTOR - MODELO NO. YTH18K42 (96048010000), PRODUCTO NO. 960 48 01-00

## TRANSMISIÓN

CÓDIGO No.	PIEZA No.	DESCRIPCIÓN	CÓDIGO No.	PIEZA No.	DESCRIPCIÓN
1	---	Transeje, TUFFTORQ K46BT (426120) (Haga el pedido de las piezas al fabricante del transeje.)	183	532 13 70-57	Separador del eje
2	532 12 35-83	Cuña	184	587 65 37-01	Manija del freno de mano
15	819 13 13-16	Arandela de 13/32 x 13/16 x calibre 16	185	872 11 06-22	Perno
17	532 41 36-78	Resorte de freno	186	532 19 43-21	Espaciador de retención
26	532 19 96-79	Crucero con retorno de muelle	187	819 13 32-10	Arandela
29	532 40 38-06	Varilla del freno	188	582 21 70-01	Mecanismo de desplazamiento de la varilla de mando del embrague del largo
33	812 00 00-01	Aro E	189	532 19 43-17	Palanca acodada del mecanismo de desplazamiento
35	583 86 45-01	Varilla del freno de mano	190	532 19 43-18	Sujetador de la palanca acodada del mecanismo de desplazamiento
37	532 18 89-67	Arandela	196	817 00 06-16	Tornillo 3/8-16 x 1
42	532 12 48-72	Cubierta del pedal	197	585 65 86-01	Embrague
49	872 11 06-14	Perno	205	532 12 17-48	Arandela de 25/32 x 1-5/8 calibre 16
50	532 19 43-27	Polea loca plana	206	532 44 85-96	Soporte de montaje del bloqueo del crucero
51	873 90 06-00	Tuerca de presión de 3/8-16	207	587 03 14-01	Bloqueo del control del crucero
52	532 19 43-26	Polea loca con ranura en V con un desplazamiento	208	532 19 78-69	Engranaje del sector de control del crucero
56	532 13 09-69	Correa trapezoidal de la transmisión	209	532 19 95-92	Varilla de control del crucero
64	532 19 78-65	Ensamble del eje Control del pedal de freno	210	532 40 09-80	Ensamble del control del pedal
73	874 49 05-40	Perno de 5/16-18 x 2 1/2 G.5	211	532 12 01-83	Rodamiento de nylon
92	874 76 05-20	Perno de cabeza hexagonal con aleta de 5/16-18 unc x 1,25	213	532 40 31-19	Perilla de control del crucero
99	532 41 57-42	Varilla del ensamble con resorte de desviación	214	532 42 12-63	Forro del pedal para avanzar
116	873 90 05-00	Tuerca de presión hexagonal con brida de 5/16-18	215	586 60 65-02	Forro del pedal para retroceder
125	817 00 05-12	Tornillo de 5/16-18 x 3/4	216	532 19 61-31	Soporte del Polea
143	817 49 05-08	Tornillo de 5/16-18 x 1/2	221	532 40 31-87	Abrazadera de retención del resorte de la manija
153	532 12 47-88	Retén del resorte	222	879 21 20-10	Arandela de 21/32 x 1-1/4 calibre 10
159	876 02 04-12	Pasador de chaveta de 1/8 x 3/4	225	532 40 33-19	Sujetador de la correa
160	532 16 94-84	Abrazadera de retención	227	817 49 05-12	Tornillo
161	532 10 57-09	Resorte de retorno del embrague	325	585 66 85-02	Soporte
163	532 44 82-75	Varilla de control	326	585 67 08-02	Soporte
166	532 42 91-64	Tuerca de presión	336	587 25 96-01	Perno 5/16 - 18 x 1-3/4
167	532 40 52-57	Pestillo del freno de mano			
170	532 19 43-22	Sujetador de la correa			
171	872 11 06-16	Perno			

**NOTA:** Las dimensiones de todos los componentes están expresadas en pulgadas americanas. 1 pulgada = 25,4 mm

**TRACTOR - MODELO NO. YTH18K42 (9604801000), PRODUCTO NO. 960 48 01-00**  
**MOTOR**



**EQUIPO APAGACHISPAS**

engine-tex\_Kawa-2cyl\_51\_r1

**TRACTOR - MODELO NO. YTH18K42 (96048010000), PRODUCTO NO. 960 48 01-00  
MOTOR**

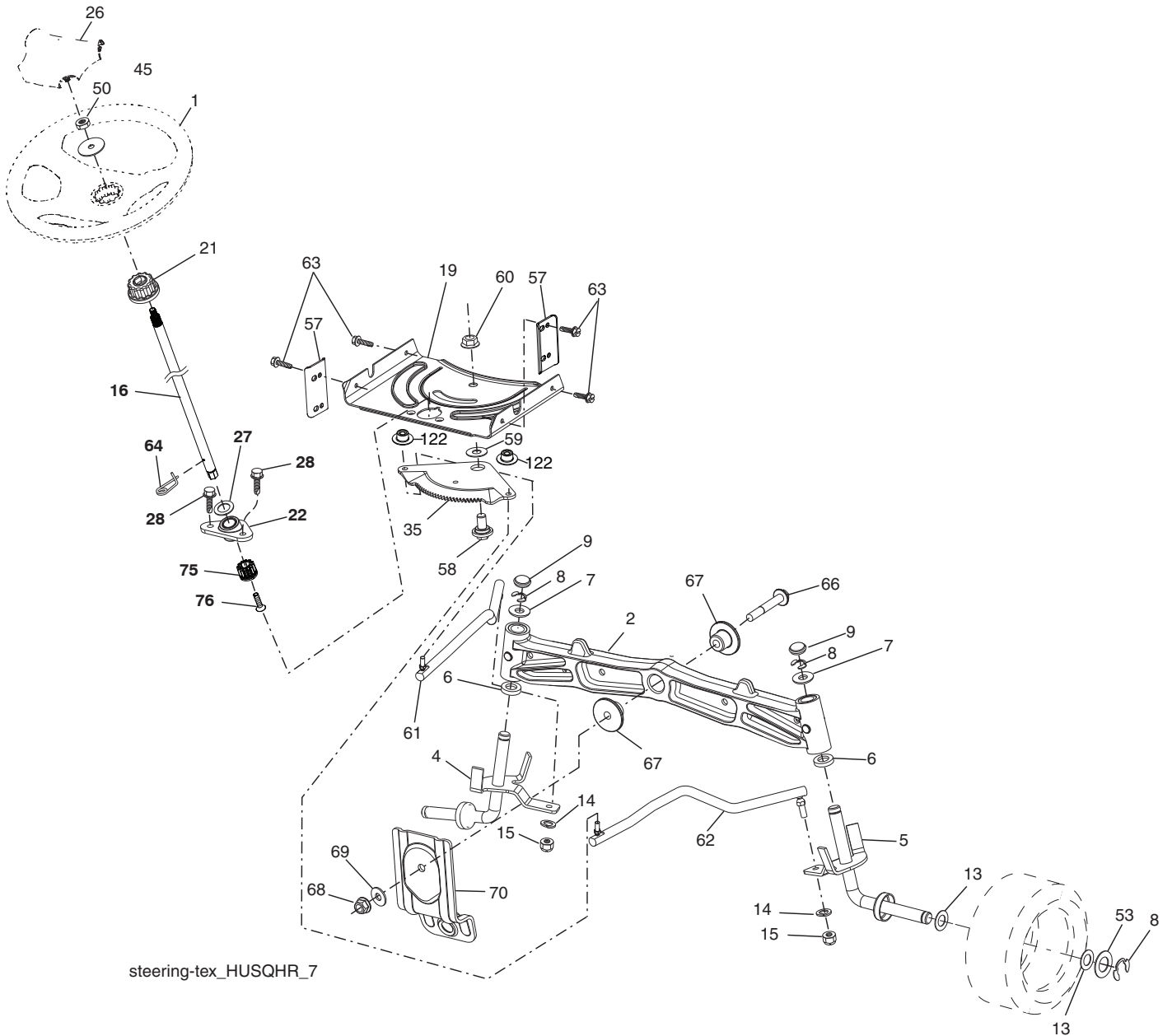
<b>CÓDIGO No.</b>	<b>PIEZA No.</b>	<b>DESCRIPCIÓN</b>
1	-----	Motor Kawa modelo No. FR600V-AS11 (581477001) (Haga el pedido de las piezas al fabricante del motor.)
2	589 81 87-01	Silenciador
9	501 83 26-02	Ensamble del sujetador de la correa del motor
11	587 24 16-01	Embrague
12	532 40 50-97	Polea del motor
15	581 29 01-01	Tanque de combustible
18	532 43 02-20	Ensamble de la tapa
20	532 41 21-65	Control del regulador
21	532 41 63-58	Tornillo No. 10 x 0,75
22	532 18 95-41	Control del obturador
28	532 13 70-40	Línea de combustible
29	532 13 71-80	Equipo apagachispas
37	532 12 34-87	Abrazadera de la manguera
41	532 12 61-97	Arandela
42	810 04 07-00	Arandela de presión de 7/16
45	873 51 04-00	Tuerca
62	532 43 40-17	Silenciador con pantalla térmica
69	532 17 81-51	Junta
70	583 95 57-01	Tubo de escape derecho
71	583 95 56-01	Tubo de escape izquierdo
81	532 14 84-56	Tubo
85	501 60 66-01	Perno de 7/16-20 x 3.75 grado 5
86	532 18 43-62	Contratuerca hexagonal de seguridad de M8-1.25
90	817 00 06-16	Tornillo 3/8-16 x 1
92	817 12 06-16	Tornillo 3/8-16 x 1
96	819 09 14-16	Arandela de 9/32 x 7/8 x calibre 16
97	817 67 04-12	Tornillo 1/4-20 x 3/4
102	817 00 05-12	Tornillo 5/16-18 x 3/4

**NOTA:** Las dimensiones de todos los componentes están expresadas en pulgadas americanas. 1 pulgada = 25,4 mm

Para realizar el mantenimiento del motor y para obtener repuestos, llame al número gratuito del fabricante de su motor que se enumera a continuación:

Kawasaki 1-949-460-5688

**TRACTOR - MODELO NO. YTH18K42 (9604801000), PRODUCTO NO. 960 48 01-00**  
**ENSAMBLE DE LA DIRECCIÓN**



steering-tex\_HUSQHR\_7

**TRACTOR - MODELO NO. YTH18K42 (96048010000), PRODUCTO NO. 960 48 01-00  
ENSAMBLE DE LA DIRECCIÓN**

<b>CÓDIGO No.</b>	<b>PIEZA No.</b>	<b>DESCRIPCIÓN</b>
1	532 43 97-40	Volante de dirección
2	532 19 59-68	Eje
4	532 40 30-87	Ensamble del husillo izquierdo
5	532 40 30-88	Ensamble del husillo derecho
6	532 12 49-31	Arandela
7	532 12 17-48	Arandela de 25/32 x 1-5/8 calibre 16
8	812 00 00-29	Abrazadera del aro No. T5304-75
9	532 12 12-32	Tapa del husillo
13	532 12 17-49	Arandela de 25/32 x 1-1/4 calibre 16
14	810 04 06-00	Arandela de presión de 3/8
15	873 54 06-00	Tuerca corona de presión de 3/8-24 unf
16	587 01 60-02	Eje de dirección
19	532 19 47-29	Placa de dirección
21	586 84 02-01	Adaptador del volante de dirección
22	585 02 98-02	Rodamiento
26	532 43 97-43	Inserto del volante de dirección
27	819 21 16-16	Arandela
28	817 00 06-12	Tornillo de 3/8-16 x 3/4
35	532 19 47-32	Engranaje del sector de la placa
45	587 01 64-01	Arandela 3/8 ID 2-3/8 OD calibre 12 PLTD
50	873 90 06-00	Tuerca 3/8-16 unc
53	532 18 89-67	Arandela reforzada de 793 x 1637 x 0,060
57	532 40 74-65	Tope superior del soporte
58	532 19 47-47	Perno de tope del sector del pivote CFM
59	532 19 47-48	Arandela de empuje del sector de dirección
60	873 97 10-00	Tuerca de presión con brida de 5/8-11
61	532 19 47-40	Barra de acoplamiento izquierda
62	532 19 47-41	Barra de acoplamiento derecha
63	817 00 05-12	Tornillo de 5/16-18 x 3/4
64	532 19 98-49	Abrazadera de retención del resorte de la dirección
66	871 02 07-48	Perno de cabeza 7/16-14 x 3
67	532 19 47-37	Buje PM del eje delantero
68	873 90 07-00	Tuerca de presión con brida de 7/16-14 grado 5
69	532 19 91-62	Arandela de 1,5 x 0,505 x 0,118
70	585 33 88-01	Soporte de la plataforma delantera
75	580 68 37-01	Piñón
76	580 68 36-01	Tornillo
122	532 44 49-62	Tapa

**NOTA:** Las dimensiones de todos los componentes están expresadas en pulgadas americanas. 1 pulgada = 25,4 mm

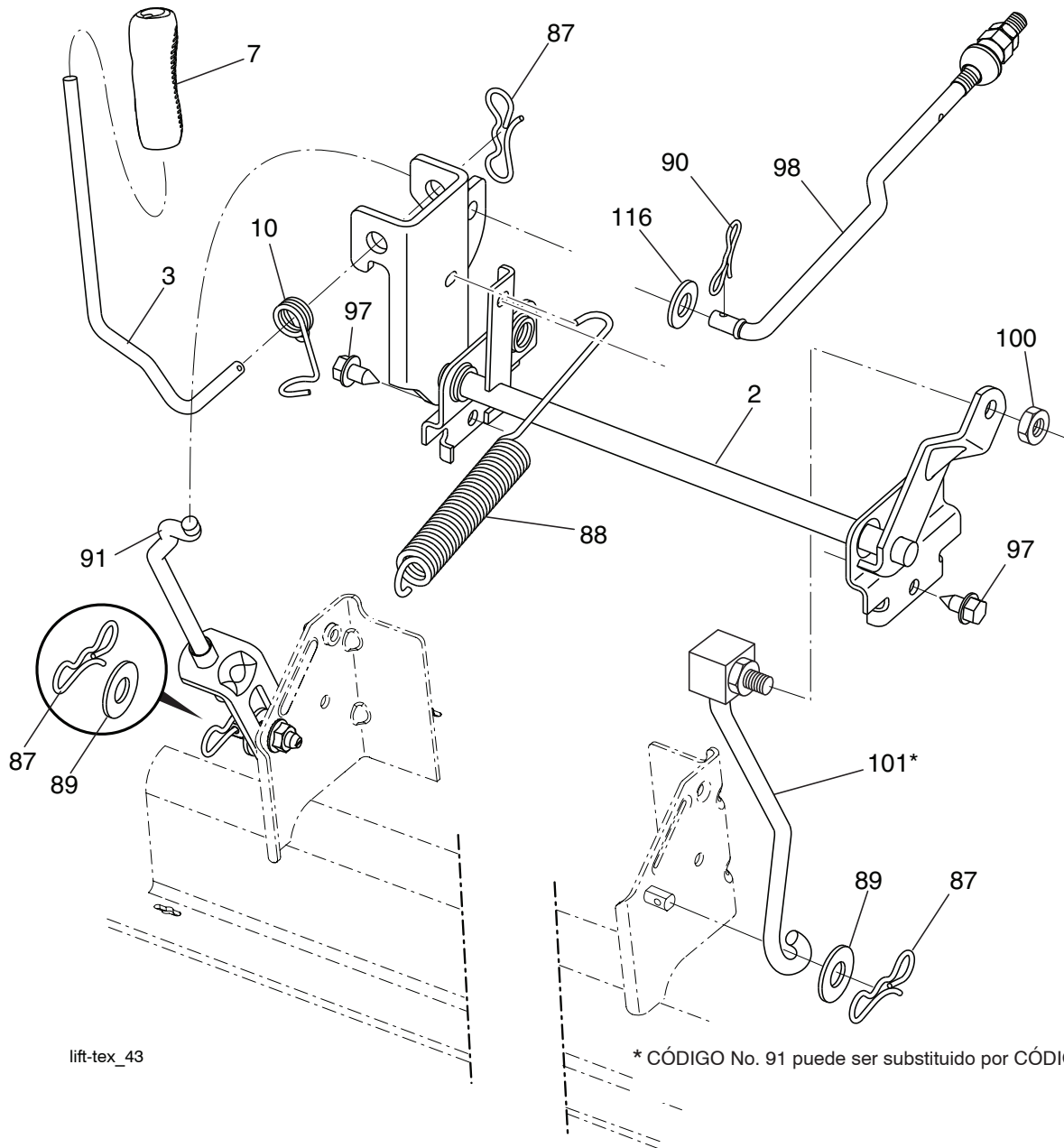


**TRACTOR - MODELO NO. YTH18K42 (96048010000), PRODUCTO NO. 960 48 01-00  
PLATAFORMA DE LA CORTADORA DE CÉSPED**

CÓDIGO PIEZA		DESCRIPCIÓN	CÓDIGO PIEZA		DESCRIPCIÓN
No.	No.		No.	No.	
1	532 44 12-75	Carcasa de la cortadora de césped	62	872 11 06-16	Perno 3/8-16 unc x 2-1/4
6	532 19 51-86	Brazo de la suspensión	68	532 14 49-59	Correa trapezoidal
11	532 13 89-71	Cuchilla de la cortadora	69	872 14 05-05	Perno
12	584 30 93-01	Tornillo 7/16-20 x 1	116	532 19 34-06	Perno de tope
13	587 25 65-01	Ensamble del eje del mandril	117	532 17 48-73	Calibrador de la rueda
14	532 18 72-81	Carcasa del mandril	145	532 19 31-97	Polea loca
15	585 32 39-01	Rodamiento de mandril	188	532 19 51-61	Sujetador del travesaño
19	532 19 65-39	Perno de tope	189	873 90 05-00	Tuerca de presión hexagonal con brida
20	532 15 97-70	Deflector			
21	873 68 05-00	Tuerca	190	532 19 72-51	Resorte
23	532 19 25-57	Soporte del deflector	196	819 13 20-12	Arandela 13/32 x 1 x calibre 12
24	532 10 53-04	Tapa de la manga	241	532 15 29-27	Tornillo
25	532 19 70-26	Resorte de torsión del deflector	242	532 41 55-98	Puerto de Lavado de la Cubierta
26	532 11 04-52	Tuerca de presión	254	585 31 68-05	Placa
27	532 40 30-04	Protector del deflector	255	585 31 70-05	Placa
29	532 13 14-91	Varilla de la bisagra	256	539 10 98-00	Perno de acarreo, m 1/4-20 x 1 Gr. 5
32	532 15 35-35	Polea del mandril	257	873 90 04-00	Tuerca 1/4-20 unc
33	532 40 02-34	Tuerca de seguridad con brida	--	532 41 64-05	Enganche
34	872 11 06-12	Perno de 3/8-16 x 1-1/2 grado 5	--	587 25 33-01	Ensamble del Mandril (solo incluye la carcasa (#14), el ensamble del eje (#13) y el rodamiento (#15); no incluye la polea/tuerca/arandela ni los pernos/arandelas de la cuchilla)
36	532 19 73-79	Polea loca			
40	873 90 06-00	Tuerca de presión con brida de 3/8-16 unc			
41	584 95 39-01	Perno 313-18 x 1.19	--	585 99 53-01	Reemplazo de la cortadora de césped, completa
55	532 43 71-10	Brazo de la polea			
56	532 19 90-92	Espaciador de retención			
57	817 00 06-16	Tornillo hexagonal con arandela de 3/8-16 x 1			
59	532 14 10-43	Dispositivo de protección de la polea (94)			

**NOTA:** Las dimensiones de todos los componentes están expresadas en pulgadas americanas. 1 pulgada = 25,4 mm

**TRACTOR - MODELO NO. YTH18K42 (96048010000), PRODUCTO NO. 960 48 01-00**  
**ELEVACIÓN DE LA CORTADORA DE CÉSPED**



lift\_tex\_43

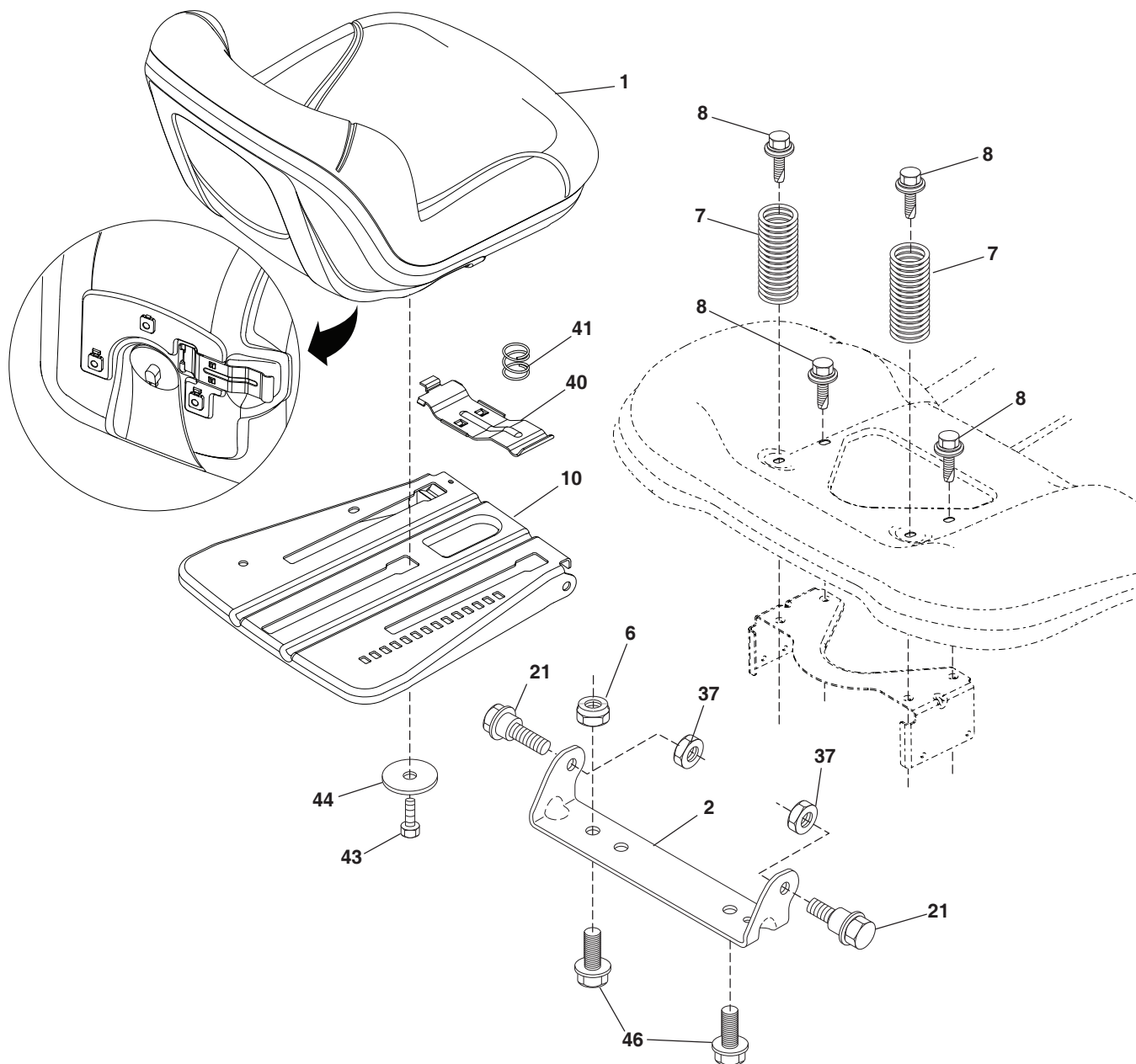
CÓDIGO No.	PIEZA No.	DESCRIPCIÓN
2	532 42 20-27	Ensamble del eje de la elevación
3	532 19 52-31	Ensamble de la palanca de elevación derecha
7	580 96 23-01	Mango de la palanca
10	532 19 63-14	Resorte de torsión
87	532 19 42-09	Pasador de chaveta de 7/16 con bloqueo en forma de mariposa
88	532 41 07-10	Resorte de ayuda de la elevación
89	819 19 19-12	Arandela de zinc transparente
90	532 19 42-08	Pasador de chaveta de 5/16 con bloqueo en forma de mariposa

CÓDIGO No.	PIEZA No.	DESCRIPCIÓN
91	532 19 51-81	Ensamble del acoplamiento
97	817 00 06-12	Tornillo de 3/8-16 x 0,75
98	532 19 52-70	Acoplamiento frontal de la elevación de la cortadora de césped
100	873 93 06-00	Tuerca de 3/8-16 unc
101	532 40 70-03	Ensamble del acoplamiento elevación
116	819 15 15-16	Arandela 15/32 x 15/16 x calibre16

**NOTA:** Las dimensiones de todos los componentes están expresadas en pulgadas americanas. 1 pulgada = 25,4 mm



# TRACTOR - MODELO NO. YTH18K42 (96048010000), PRODUCTO NO. 960 48 01-00 ENSAMBLE DEL ASIENTO



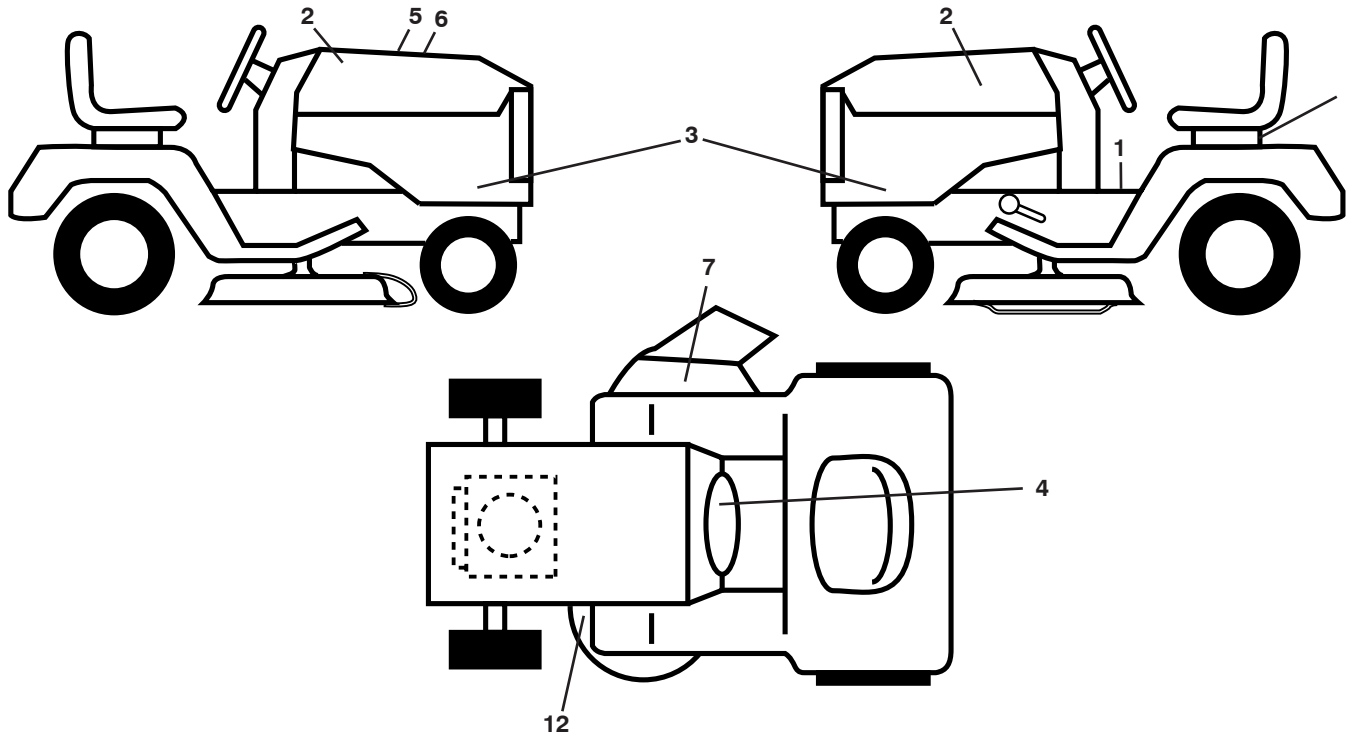
seat-tex\_6.5SL\_9

CÓDIGO No.	PIEZA No.	DESCRIPCIÓN
1	532 43 98-22	Asiento
2	532 18 01-66	Soporte pivotante del guardabarros
6	873 80 06-00	Tuerca de presión c/aislamiento de 3/8-16 unc
7	587 61 33-01	Resorte del asiento
8	532 17 18-77	Perno 5/16-18 unc x 3/4
10	532 19 69-77	Bandeja del asiento
21	587 90 78-01	Perno 5/16-18 x 5/8
37	873 80 05-00	Tuerca 5/16-18 unc

CÓDIGO No.	PIEZA No.	DESCRIPCIÓN
40	532 19 76-61	Manija para deslizar el asiento
41	532 19 82-00	Resorte para trabar el asiento
43	874 76 06-12	Perno 3/8-16 x 3/4
44	819 13 38-12	Arandela 13/32 x 2-3/8 x calibre 12
46	588 09 04-01	Perno 3/8-16 x 1, 1 25

**NOTA:** Las dimensiones de todos los componentes están expresadas en pulgadas americanas. 1 pulgada = 25,4 mm

**TRACTOR - MODELO NO. YTH18K42 (96048010000), PRODUCTO NO. 960 48 01-00  
CALCOMANÍAS**



**CÓDIGO PIEZA  
No. No.**

**DESCRIPCIÓN**

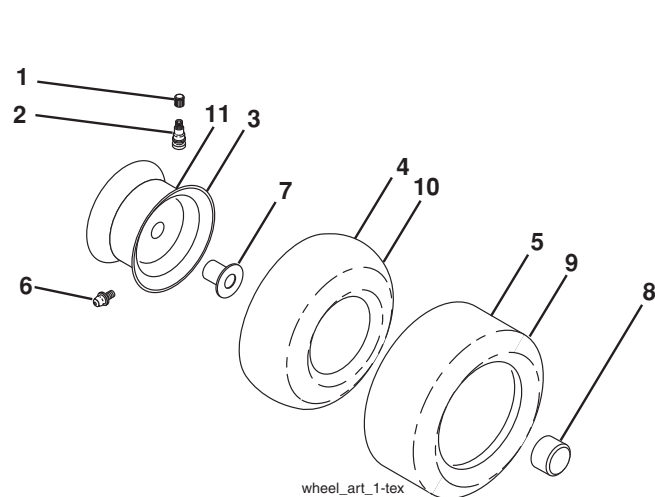
1	581 57 90-01	Calcomanía para el guardabarros
2	581 62 73-01	Calcomanía para la capota
3	589 64 19-01	Calcomanía para el panel capota
4	581 57 99-01	Calcomanía
5	532 42 38-29	Calcomanía del operador
6	589 62 61-01	Calcomanía de reemplazo
7	584 90 46-01	Calcomanía
9	532 14 50-05	Calcomanía de Peligro/Punto de interconexión
12	581 58 00-01	Calcomanía del diagrama de la cortadora de césped

**CÓDIGO PIEZA  
No. No.**

**DESCRIPCIÓN**

--	581 72 48-01	Calcomanía para la desviación
--	532 43 96-81	Forro del apoyo para los pies (LI)
--	532 43 96-82	Forro del apoyo para los pies (LD)
--	115 86 31-24	Manual del Operario (Inglés/Español)
--	589 65 71-01	Manual de Repuestos (Inglés/Español)
--	587 71 01-26	Guía rápida (Inglés/Español)

**RUEDAS Y NEUMÁTICOS**



**CÓDIGO PIEZA  
No. No.**

**DESCRIPCIÓN**

1	532 05 91-92	Tapa de la válvula del neumático
2	532 06 51-39	Vástago de la válvula
3	532 13 83-36	Ensamble de las llantas delanteras
4	532 05 99-04	Cámara delantera (Mantenimiento sólo)
5	532 10 62-22	Neumático delantero 15 x 6-6
6	532 12 49-57	Accesorio para engrasar (solo para la rueda delantera)
7	532 12 49-59	Rodamiento de la brida (solo para la rueda delantera)
8	532 17 50-39	Tapa del eje 1 50 x 1 00
9	532 13 84-68	Neumático 20 x 8-8
10	532 12 49-26	Cámara trasera (Mantenimiento sólo)
11	532 13 83-37	Ensamble trasero de la llanta 8"
--	532 14 43-34	Sellador para neumáticos (tubo de 10 onzas [283 gr])

**NOTA:** Las dimensiones de todos los componentes están expresadas en pulgadas americanas. 1 pulgada = 25,4 mm

---

# SERVICE NOTES/AVISO

---



[www.husqvarna.com](http://www.husqvarna.com)