

Repair Parts Manual
Manuel De Pièces De Rechange
YT42DXLS / 96048008401

Please read the operator's manual carefully and make sure
you understand the instructions before using the machine.

Lisez très attentivement et soyez certain de comprendre
ces instructions avant d'utiliser cette machine.



English/French

114 02 86-24 Rev. 16



HOW TO USE THIS MANUAL

This manual is designed to provide the customer with a means to identify the parts on his/her tractor when ordering repair parts. The illustrations may or may not represent the actual assemblies; therefore, it is not recommended to use this manual as a guide to assemble or disassemble the tractor. Some hardware and parts are drawn larger in order to more readily identify them.

Each tractor has its own model number. The model number for your tractor can be found on the fender under the seat.

Support / Help

If you require assistance or have questions concerning the application, operation, maintenance or parts for your product:

- Visit our website: www.husqvarna.com
- Call Us Toll Free: 1-800-487-5951

When ordering parts, always give the following information:

- Product - "TRACTOR"
- MODEL NUMBER - "YT42DXLS" (96048008401)"
- Part Number
- Part Description

TABLE OF CONTENTS

SCHEMATIC	3
ELECTRICAL	4-5
CHASSIS	6-7
DRIVE	8-9
ENGINE	10-11
STEERING	12-13
MOWER DECK	14-15
MOWER LIFT	16
SEAT	17
DECALS	18

COMMENT UTILISER CE MANUEL

Ce manuel a été dessiné pour fournir le client avec les moyens d'identification des pièces de détachées du tracteur quand il/elle a besoin de commander les pièces de rechange. Les illustrations ne peuvent pas représenter exactement le modèle que vous avez acheté. N'utilisez pas ce manuel comme un guide dans le montage et/ou démontage de votre tracteur. La visserie montrée est plus grande pour faciliter l'identification.

Chaque tracteur a un numéro de modèle particulier. Le numéro de modèle du produit se trouvera sur l'aile, dessous le siège.

Soutien / Aide

Si vous avez besoin d'aide ou si vous avez des questions concernant l'utilisation, le fonctionnement, l'entretien ou les pièces pour votre produit :

- Visitez notre site Web : www.husqvarna.com
- Appelez nous sans frais : 1-800-487-5951

Lorsque vous commandez des pièces de rechange, donnez toujours les renseignements suivants:

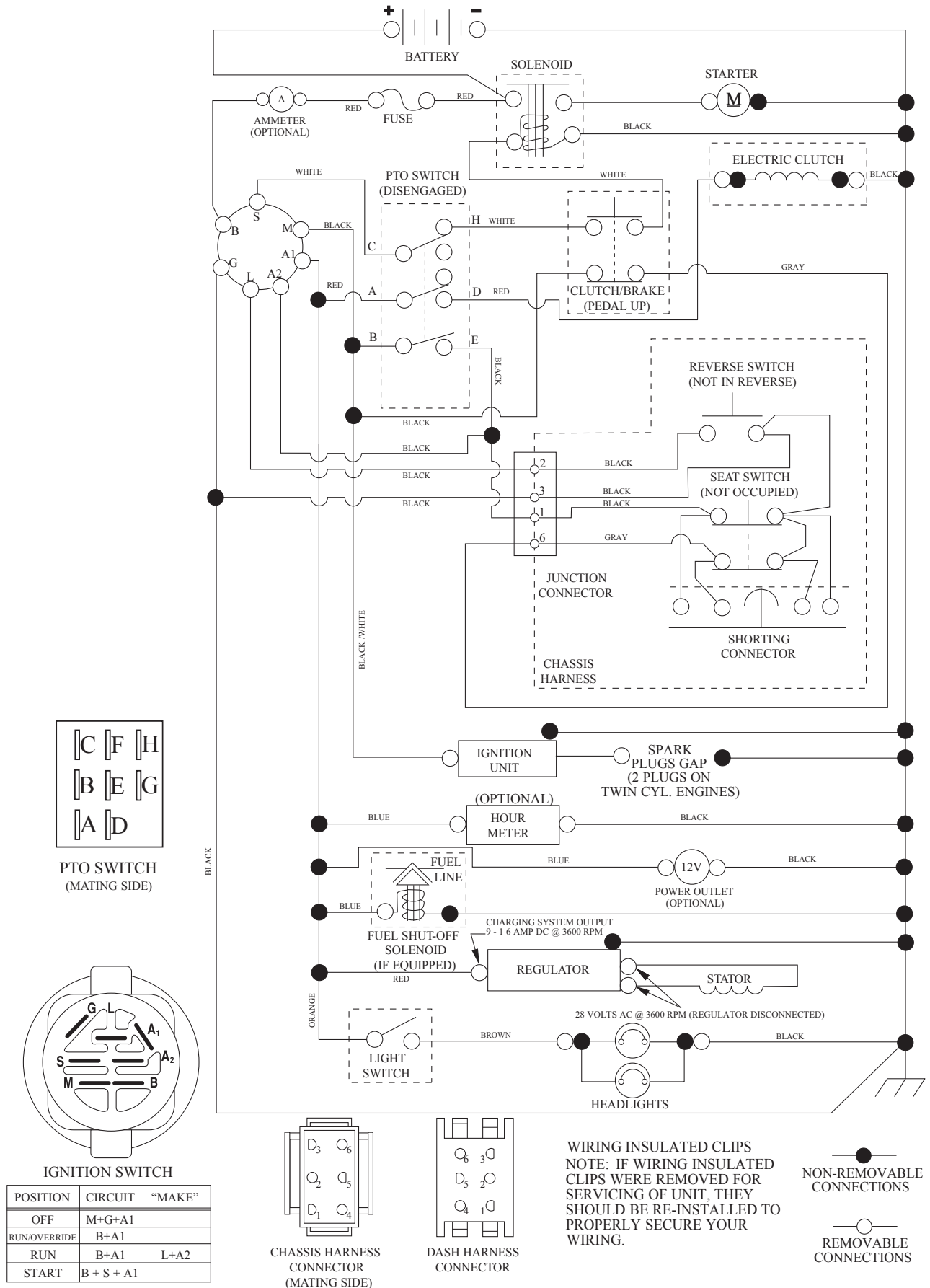
- Produit - "TRACTEUR"
- NUMÉRO DU MODÈLE - "YT42DXLS" (96048008401)"
- Numéro de la Pièce
- Description de la Pièce

TABLE DE MATIERES

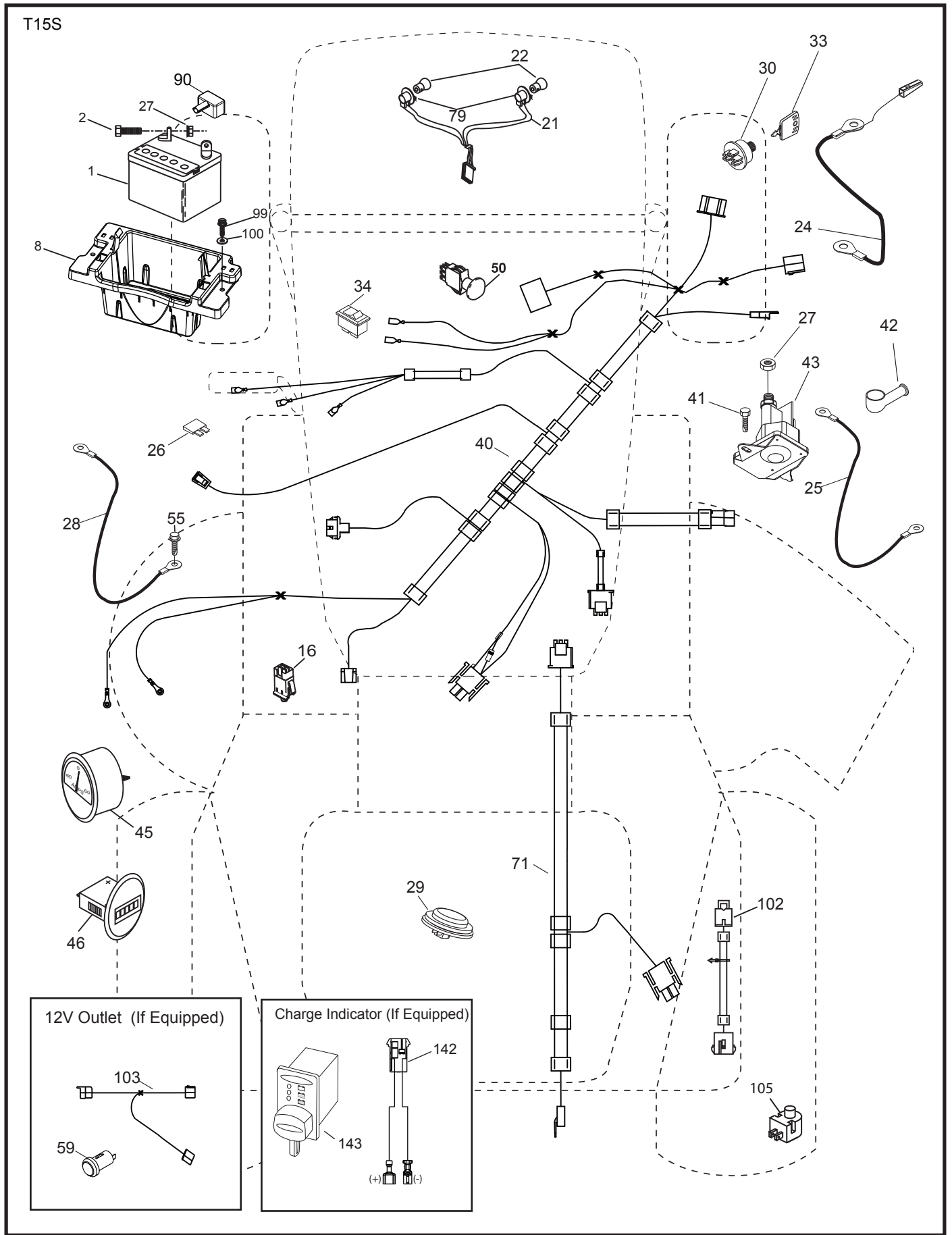
SCHÉMA	19
ELECTRIQUE	20-21
CHÂSSIS/ENCEINTES	22-23
ENTRAÎNEMENT	24-25
MOTEUR	26-27
ENSEMBLE DE LA DIRECTION	28-29
CARTER DE TONDEUSE	30-31
LEVAGE DE LA TONDEUSE	32
ENSEMBLE DU SIÈGE	33
DECALCOMANIES	34

TRACTOR - MODEL NO. YT42DXLS (96048008401), PRODUCT NO. 960 48 00-84 SCHEMATIC

SCH12



**TRACTOR - MODEL NO. YT42DXLS (96048008401), PRODUCT NO. 960 48 00-84
ELECTRICAL**

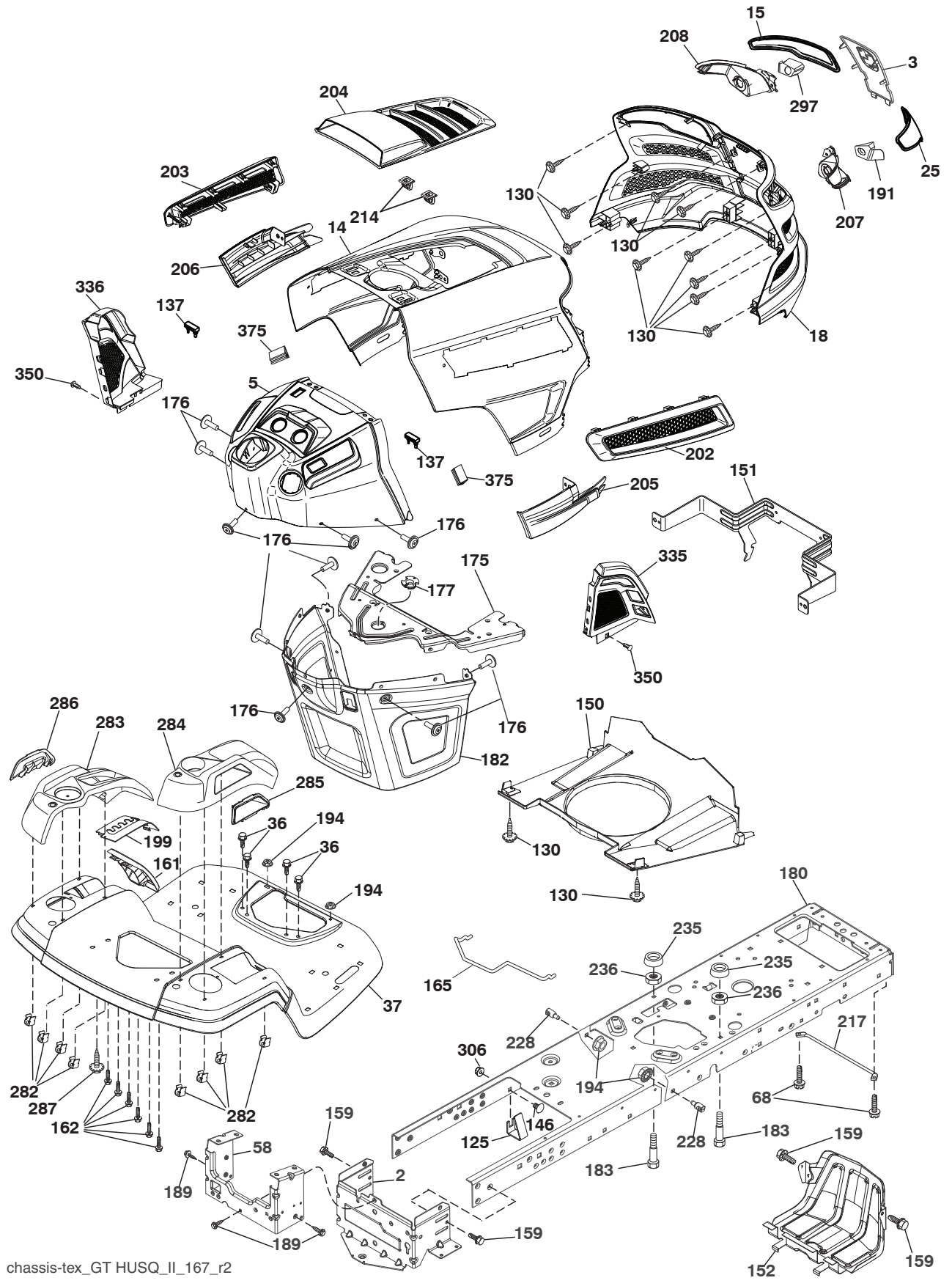


**TRACTOR - MODEL NO. YT42DXLS (96048008401), PRODUCT NO. 960 48 00-84
ELECTRICAL**

KEY NO.	PART NO.	DESCRIPTION
1	532 16 34-65	Battery
2	874 76 04-12	Bolt Hex Head 1/4-20 x 3/4
8	587 20 51-01	Box Battery
16	532 17 61-38	Switch Interlock Push-In
21	532 40 02-52	Harness Socket Light w/4152J
22	532 00 41-52	Bulb Light
24	585 55 56-01	Cable Battery
25	585 55 55-01	Cable Starter
26	532 17 51-58	Fuse
27	873 51 04-00	Nut Keps Hex 1/4-20 unc
28	532 41 65-88	Cable, Ground
29	532 40 15-45	Switch, Seat
30	532 19 33-50	Switch, Ign
33	532 41 19-35	Key\Chain
34	532 11 07-12	Switch Light / Reset
40	501 13 31-01	Harness Ign. Dash
41	817 72 04-08	Screw Thd Cut 1/4-20 x 1/2
42	532 13 15-63	Cover, Terminal
43	532 19 25-07	Solenoid
45	587 55 39-03	Ammeter Gauge Round
46	587 55 40-03	Hourmeter
50	532 17 46-51	Switch PTO
55	817 06 05-12	Screw Thdrol 5/16-18 x 3/4 TYTT
59	532 40 03-03	Outlet 12-Volt
71	532 19 42-76	Harness Chassis
79	532 17 52-42	Socket Asm Bulb Twistlock
90	532 43 53-95	Cover Terminal
99	817 67 04-12	Screw 1/4-20 x 3/4
100	819 09 14-16	Washer 9/32 x 7/8 x 16 Ga.
102	532 40 44-54	Harness Pigtail Tex ROS Tuff Torq.
103	532 42 17-47	Harness Pigtail
105	532 40 75-68	Switch Reverse TT Pedal Control

NOTE: All component dimensions given in U.S. inches
1 inch = 25.4 mm

TRACTOR - MODEL NO. YT42DXLS (96048008401), PRODUCT NO. 960 48 00-84
CHASSIS



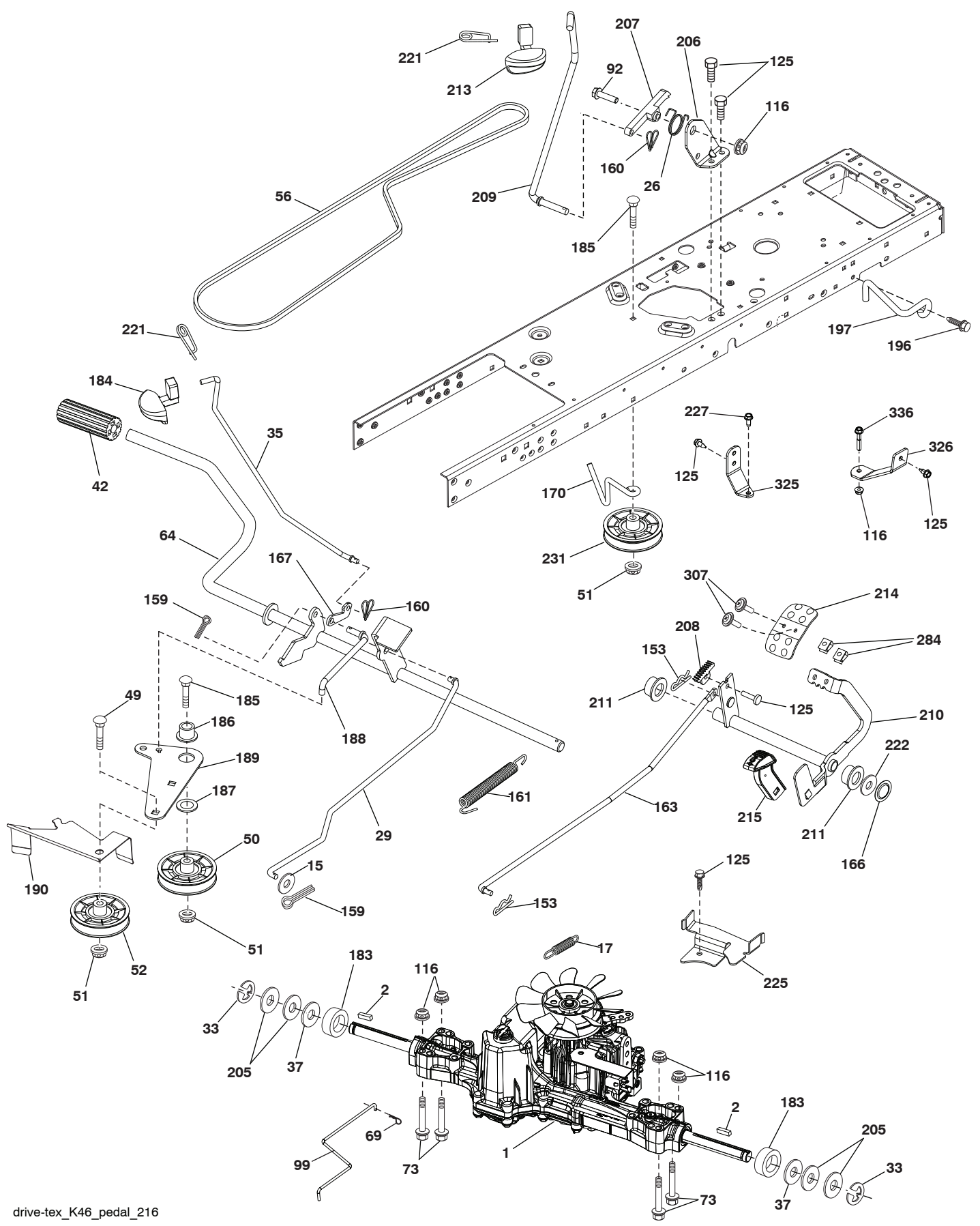
chassis-tex_GT HUSQ_II_167_r2

TRACTOR - MODEL NO. YT42DXLS (96048008401), PRODUCT NO. 960 48 00-84 CHASSIS

KEY NO.	PART NO.	DESCRIPTION	KEY NO.	PART NO.	DESCRIPTION
2	532 41 22-82	Drawbar	202	532 43 97-28	Vent Side Hood RH
3	532 44 44-81	Applique	203	532 43 97-27	Vent Side Hood LH
5	532 43 74-88	Dash	204	532 43 57-14	Vent Top Hood
14	532 44 11-77	Hood	205	532 43 97-30	Side Trim RH
15	532 43 97-33	Lens LH	206	532 43 97-29	Side Trim LH
18	532 44 06-53	Grille	207	532 43 97-34	Bezel RH
25	532 44 33-85	Lens RH	208	532 43 97-35	Bezel LH
36	817 06 05-12	Screw 5/16-18 x 3/4	214	532 19 91-45	Clip Retainer Tinner
37	587 57 48-01	Fender	217	532 40 91-67	Rod Pivot
58	532 41 22-80	Drawbar Upper	228	532 19 51-61	Stud Fastener
68	817 49 05-08	Screw Thdrol 5/16-18 x 1/2	235	532 40 61-29	Spacer Fender
125	581 68 48-01	Clip Fuel Line	236	873 93 05-00	Nut Lock 5/16-18 unc
130	532 41 63-58	Screw 10 x 0.750 BOS Thread	282	532 41 41-10	Clip Retainer Console
137	532 40 75-90	Bumper Dash	283	532 43 98-61	Console Deck Lift
146	581 85 79-01	Bolt	284	532 43 98-23	Console Shift
150	532 43 97-74	Air Duct	285	532 41 63-15	Console Insert RH
151	532 43 66-70	Bracket Pivot Hood	286	532 41 63-17	Console Insert LH
152	532 43 98-70	Shield Browning	287	817 60 04-06	Screw 1/4-20 X 3/8
159	817 00 06-12	Screw 3/8-16 x 3/4	297	532 43 74-56	Insert Reflective LH
161	532 44 00-29	Console Fuel Window	306	873 90 06-00	Nut Lock
162	532 14 24-32	Screw HexWsh Hi-Lo 1/4x1/2unc	335	532 44 82-04	Cover-RH Lower
165	532 19 43-30	Support Tank Rear	336	532 44 53-09	Cover-LH Lower
175	532 19 63-04	Crossmember	350	532 44 51-43	Clip X-mas Tree
176	532 40 07-76	Screw 10-24 x 5/8	375	586 90 82-01	Dash Clip-On Bumper
177	532 19 52-28	Bushing Steering	--	532 43 18-82	Kit Guard Brush
180	532 44 55-59	Chassis			
182	532 40 68-59	Dash Lower			
183	874 52 05-20	Bolt 5/16-18 x 1-1/4			
189	817 00 05-12	Screw 5/16-18 x 3/4			
191	532 43 74-55	Insert Reflective RH			
194	873 90 05-00	Nut Lock Hex Flange 5/16-18			
199	532 41 34-85	Plate Deck Lift			

NOTE: All component dimensions given in U.S. inches
1 inch = 25.4 mm

**TRACTOR - MODEL NO. YT42DXLS (96048008401), PRODUCT NO. 960 48 00-84
DRIVE**



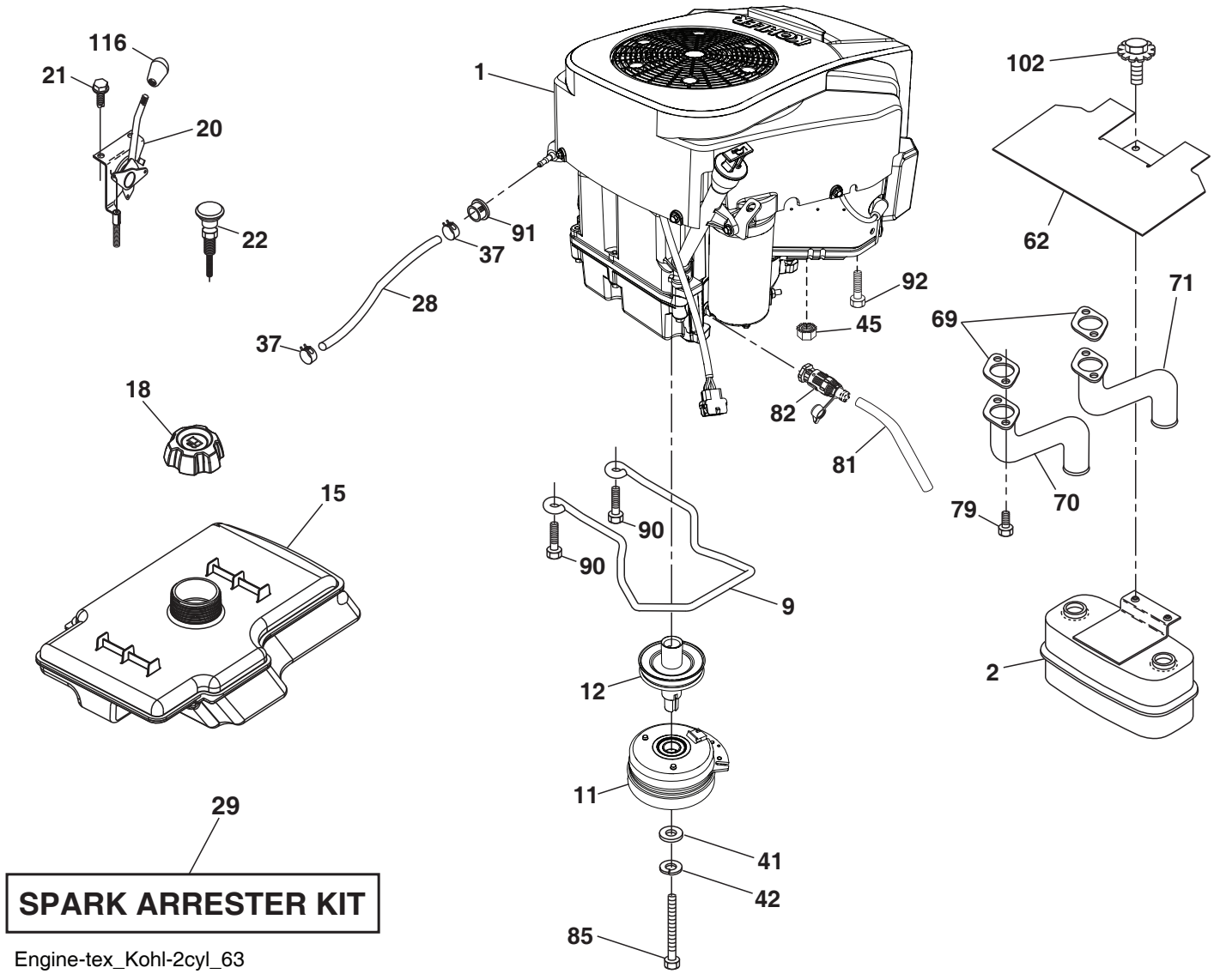
drive-tex_K46_pedal_216

**TRACTOR - MODEL NO. YT42DXLS (96048008401), PRODUCT NO. 960 48 00-84
DRIVE**

KEY NO.	PART NO.	DESCRIPTION	KEY NO.	PART NO.	DESCRIPTION
1	---	Transaxle, TUFFTORQ K46CR (501051401)(Order parts from transaxle manufacturer.)	184	587 65 37-01	Handle Parking Brake
2	532 12 35-83	Key	185	872 11 06-22	Bolt Rdhd Sqnk 3/8-16 x 2-1/2
15	819 13 13-16	Washer 13/32 x 13/16 x 16 Ga.	186	532 19 43-21	Spacer Retainer
17	532 41 36-78	Spring, Brake	187	819 13 32-10	Washer
26	532 19 96-79	Spring Return Cruise	188	582 21 70-01	Link Clutch Ground Drive, Long
29	532 40 38-06	Rod, Brake	189	532 19 43-17	Bellcrank Ground Drive
33	812 00 00-01	Ring E	190	532 19 43-18	Keeper Bellcrank Ground Drive
35	583 86 45-01	Rod, Brake, Park	196	817 00 06-16	Screw 3/8-16 x 1
37	532 18 89-67	Washer Hardened	197	587 40 20-01	Bracket Clutch Anti-Rotation
42	532 12 48-72	Cover, Foot Pedal	205	532 12 17-48	Washer
49	872 11 06-14	Bolt	206	532 44 85-96	Bracket Mount Latch Cruise
50	532 19 43-27	Pulley Idler Flat	207	587 03 14-01	Latch Control Cruise
51	873 90 06-00	Lock Nut 3/8-16	208	532 19 78-69	Gear Sector Control Cruise
52	532 19 43-26	Idler V-Groove	209	532 19 95-92	Rod Control Cruise
56	532 13 09-69	V-Belt, Drive	210	532 40 09-80	Rocker Asm. Pedal Control
64	532 19 78-65	Shaft Asm. Pedal Brake Control	211	532 12 01-83	Bearing Nylon
69	532 42 33-03	Hairpin Soft Zinc .059 x 1.125	213	532 40 31-19	Knob Control Cruise
73	874 49 05-40	Bolt Hex 5/16-18 x 2-1/2 Gr. 5	214	532 41 68-63	Pedal Forward
92	874 76 05-20	Bolt Fin Hex 5/16-18 unc x 1.25	215	586 60 65-02	Pedal Reverse
99	582 40 45-01	Rod Bypass LT K46, K57	221	532 40 31-87	Retainer Spring Clip Handle
116	873 90 05-00	Nut Lock Hex Flange 5/16-18	222	879 21 20-10	Washer 21/32 x 1-1/4 x 10 Ga.
125	817 00 05-12	Screw 5/16-18 x 3/4	225	532 40 33-19	Keeper Belt Trans.
153	532 12 47-88	Retainer Spring	227	817 49 05-12	Screw 5/16-18 x 3/4
159	876 02 04-12	Pin Cotter 1/8 x 3/4	231	532 40 72-87	Idler V-Groove
160	532 16 94-84	Retainer Clip	284	532 41 76-93	NutU-CHNL 1/4-20550DP .350PNL
161	532 10 57-09	Spring, Return, Clutch	307	874 18 04-12	Screw 1/4-20 x 3/4
163	532 44 82-75	Rod Pedal Control	325	586 43 12-02	Bracket
166	532 42 91-64	Nut Push	326	586 00 11-02	Bracket
167	532 40 52-57	Latch Brake Parking	336	587 25 96-01	Bolt
170	532 41 34-30	Keeper Belt Centerspan			
183	532 13 70-57	Spacer Split			

NOTE: All component dimensions given in U.S. inches
1 inch = 25.4 mm

**TRACTOR - MODEL NO. YT42DXLS (96048008401), PRODUCT NO. 960 48 00-84
ENGINE**



SPARK ARRESTER KIT

Engine-tex_Kohl-2cyl_63

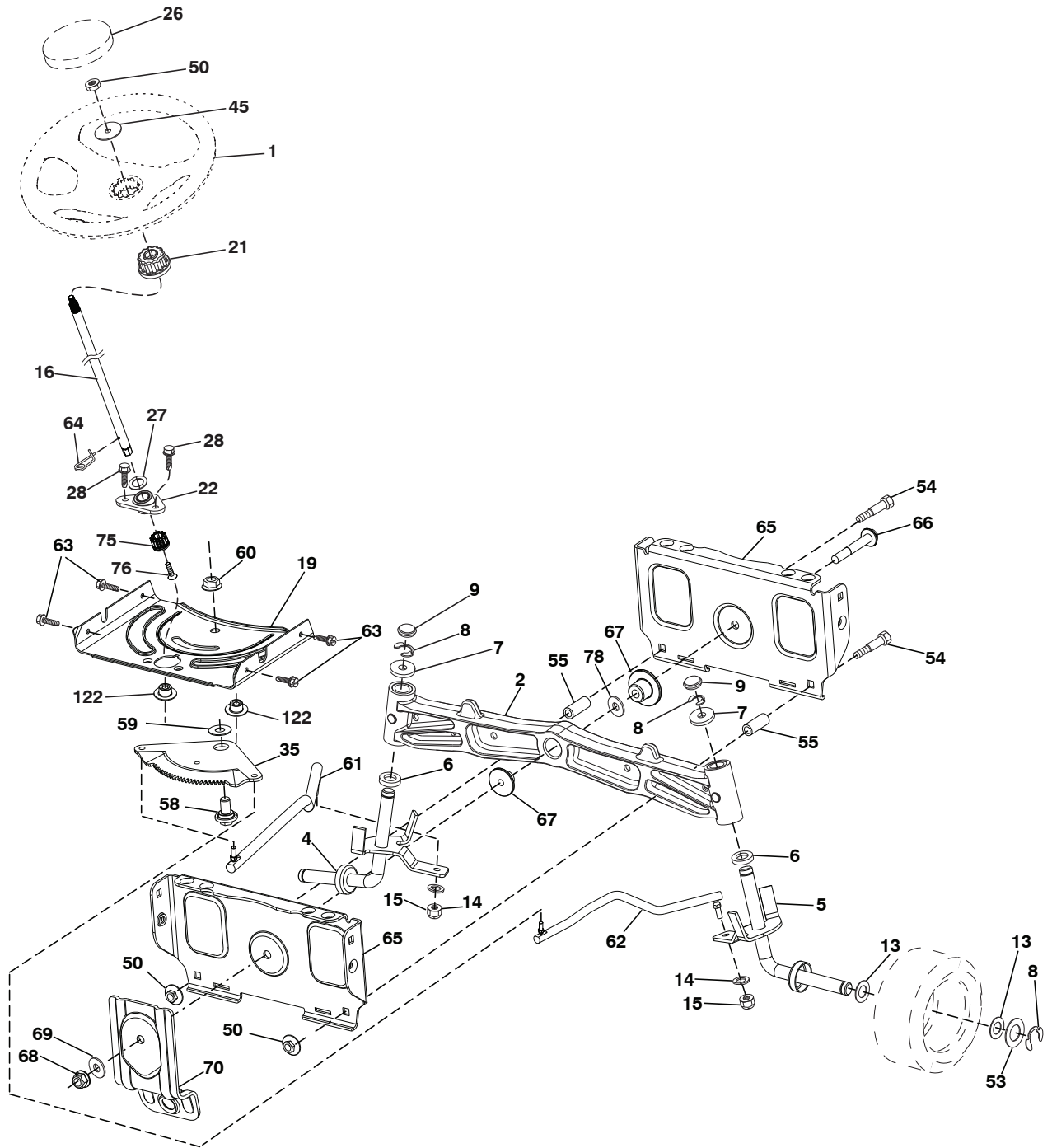
**TRACTOR - MODEL NO. YT42DXLS (96048008401), PRODUCT NO. 960 48 00-84
ENGINE**

KEY NO.	PART NO.	DESCRIPTION
1	-----	Engine Kohler Model No. KT735-3022 (585446201)(Order parts from engine manufacturer.)
2	589 81 87-01	Muffler
9	501 83 26-01	Keeper Belt Engine
11	587 25 50-01	Clutch Electric
12	586 89 96-01	Pulley Engine
15	532 43 08-24	Tank Fuel
18	584 24 87-01	Cap
20	587 63 17-03	Control Throttle
21	532 43 85-62	Screw #10 x .750 BOS Thread
22	532 19 15-96	Control Choke
28	532 40 11-35	Fuel Line
29	532 13 71-80	Spark Arrester Kit
37	532 12 34-87	Clamp Hose
41	532 12 61-97	Washer 1-1/2 OD x 15/32 ID x .250
42	810 04 07-00	Washer Lock 7/16
45	873 51 04-00	Nut Keps Hex 1/4-20 unc
62	532 43 40-17	Heat Shield
69	532 18 60-54	Gasket
70	583 95 45-01	Tube Exhaust LH
71	583 95 48-01	Tube Exhaust RH
79	532 19 23-34	Screw Socket Head 5/16-18 x .75
81	532 14 84-56	Tube Drain
82	532 42 82-87	Valve Oil Drain
85	871 17 07-80	Bolt Hex 7/16-20 x 5
90	817 00 06-16	Screw 3/8-16 x 1
91	532 18 74-95	Bushing
92	817 12 06-16	Screw 3/8-16 x 1
102	817 00 05-12	Screw 5/16-18 x 3/4
116	539 13 26-24	Knob Soft Touch

NOTE: All component dimensions given in U.S. inches
1 inch = 25.4 mm
For engine service and replacement parts, call the toll free number for your engine manufacturer listed below:

Kohler Co. 1-800-544-2444

TRACTOR - MODEL NO. YT42DXLS (96048008401), PRODUCT NO. 960 48 00-84
STEERING ASSEMBLY



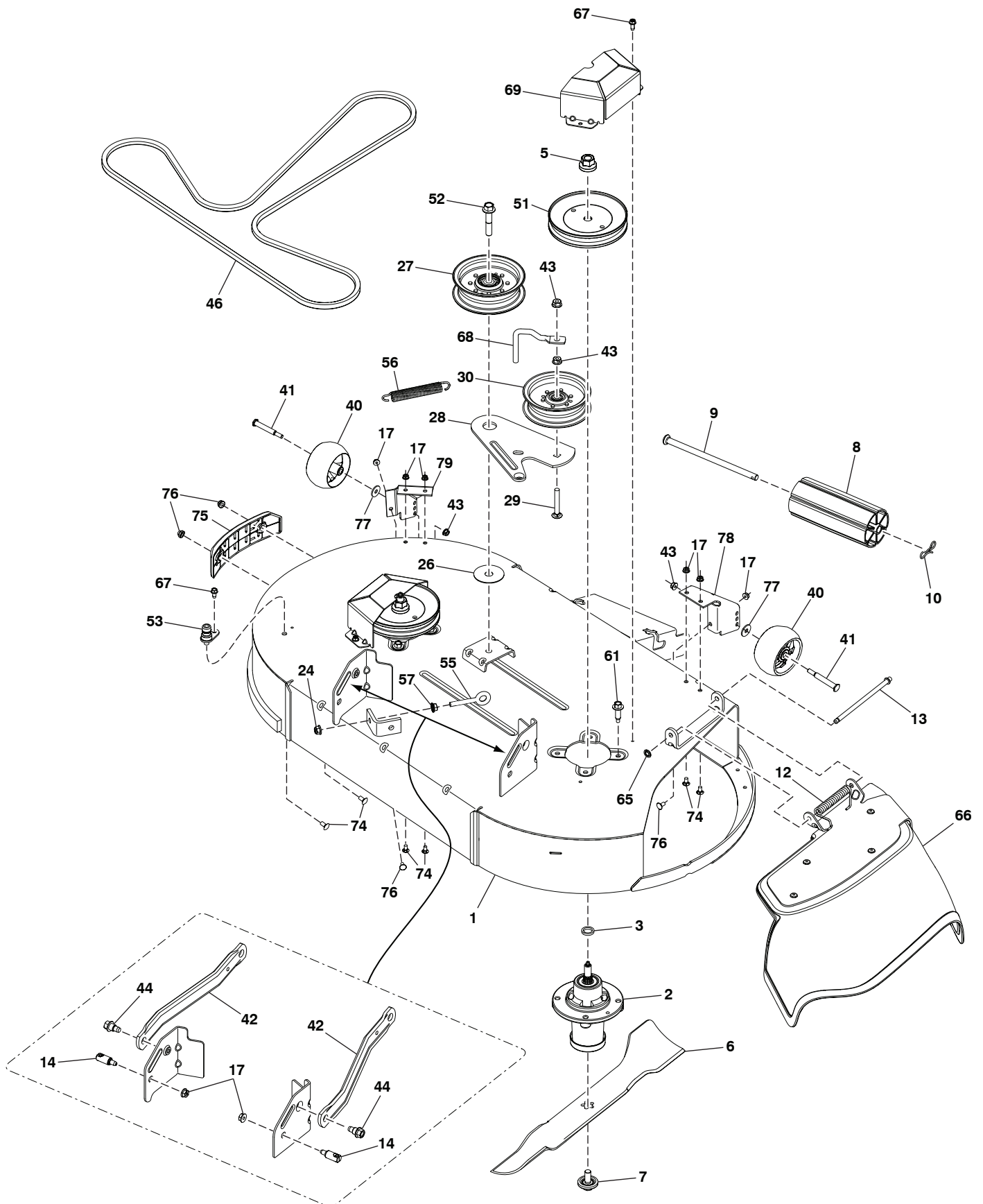
Steering-tex_LEGND2_58

**TRACTOR - MODEL NO. YT42DXLS (96048008401), PRODUCT NO. 960 48 00-84
STEERING ASSEMBLY**

KEY NO.	PART NO.	DESCRIPTION
1	532 43 97-40	Wheel, Steering
2	532 19 59-68	Axle Asm., Front
4	586 72 40-01	Spindle Asm., LH
5	586 72 41-01	Spindle Asm., RH
6	532 12 49-31	Bearing, Race Thrust Harden
7	532 12 17-48	Washer 25/32 x 1-5/8 x 16 Ga.
8	812 00 00-29	Ring, Clip #T5304-75
9	532 12 12-32	Cap, Spindle
13	532 12 17-49	Washer 25/32 x 1-1/4 x 16 Ga.
14	810 04 06-00	Washer, Lock Hvy Hlcl Spr 3/8
15	873 54 06-00	Nut, Crown Lock 3/8-24 unf
16	587 01 60-02	Steering Shaft
19	532 19 47-29	Plate Steering
21	586 84 02-01	Adapter Wheel Steering
22	585 02 98-02	Bearing
26	532 43 97-43	Insert, Wheel Steering
27	819 21 16-16	Washer
28	817 00 06-12	Screw 3/8-16 x 3/4
35	532 19 47-32	Gear, Sector Plate
45	587 01 64-01	Washer 3/8 ID 2-3/8 OD 12 Ga. PLTD
50	873 90 06-00	Nut Lock Flg 3/8-16 unc
53	532 18 89-67	Washer Hardened .793 x 1.637 x .060
54	874 76 06-36	Bolt Hex 3/8-16 unc x 2-1/4
55	532 41 47-36	Spacer Brace Axle
58	532 19 47-47	Bolt Shoulder Sector Pivot CFM
59	532 19 47-48	Washer Thrust Sector Steering
60	873 97 10-00	Nut Flange Lock 5/8-11
61	532 19 47-40	Draglink, LH
62	532 19 47-41	Draglink, RH
63	817 00 05-12	Screw 5/16-18 x 3/4
64	532 19 98-49	Retainer Clip Spring Steering
65	532 19 47-34	Brace Axle Front
66	871 02 07-48	Bolt Hex Fghd 7/16-14 x 3 Serr
67	532 19 47-37	Bushing PM Front Axle
68	873 90 07-00	Nut Lock Flange 7/16-14 Gr. 5
69	532 19 91-62	Washer 1.5 x .505 x .118
70	585 33 88-01	Bracket Deck Susp. Front
75	580 68 37-01	Pinion
76	580 68 36-01	Screw Head Sock
78	532 05 70-79	Washer Thrust
122	532 44 49-62	Cap Gear Sector Tex

NOTE: All component dimensions given in U.S. inches
1 inch = 25.4 mm

**TRACTOR - MODEL NO. YT42DXLS (96048008401), PRODUCT NO. 960 48 00-84
MOWER DECK**

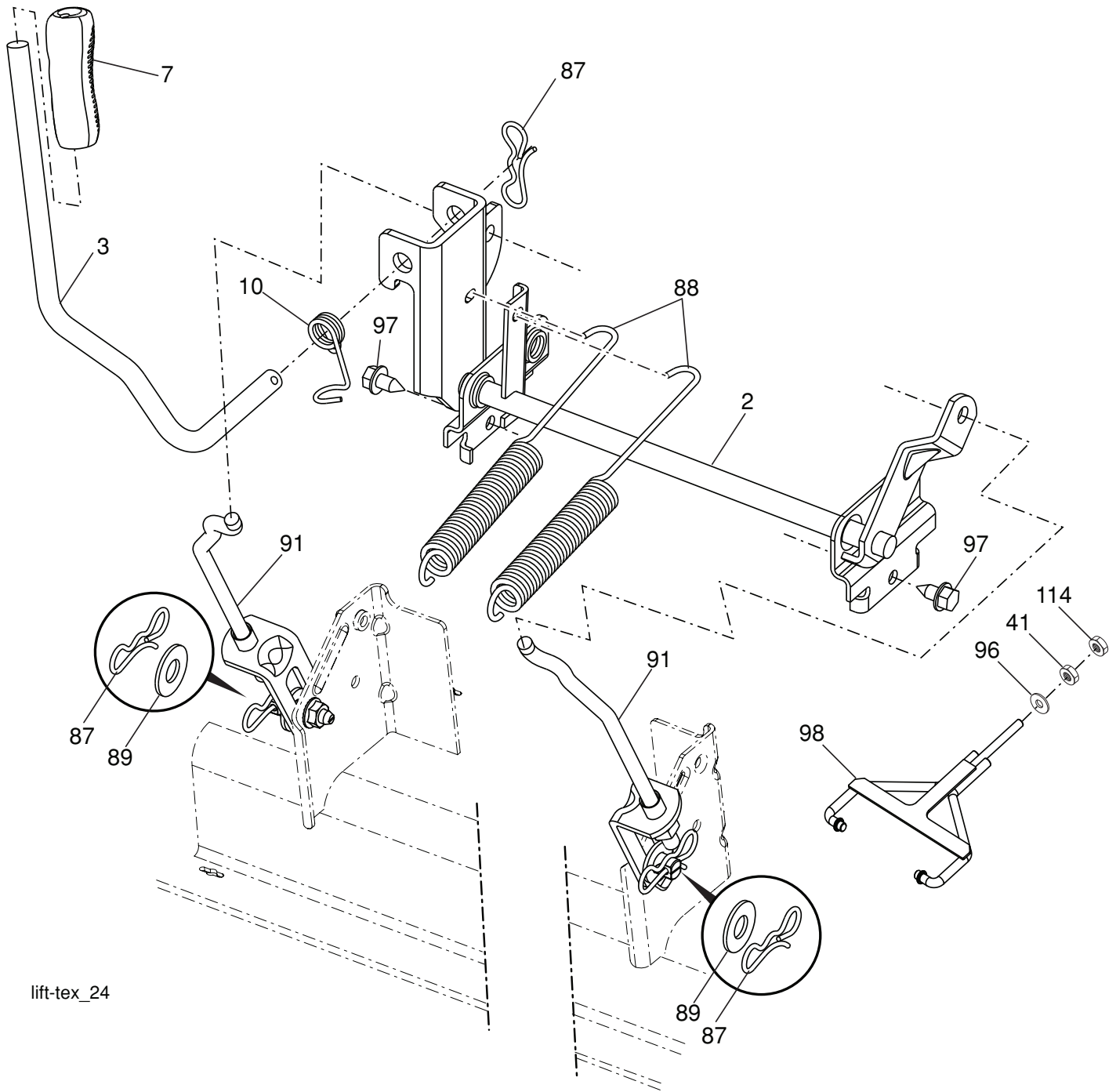


**TRACTOR - MODEL NO. YT42DXLS (96048008401), PRODUCT NO. 960 48 00-84
MOWER DECK**

KEY NO.	PART NO.	DESCRIPTION
1	589 02 90-02	Deck Weldment
2	539 11 21-70	Housing Assembly
3	539 18 76-90	Washer-Spacer
5	532 40 02-34	Nut Lock Flange Top
6	586 91 81-01	Blade
7	532 19 30-03	Bolt, 7/16, Assy Blade
8	532 17 60-66	Roller, Nose
9	532 17 91-27	Rod, Roller, Nose
10	532 19 42-08	Clip Retainer
12	587 35 47-01	Spring
13	532 13 14-91	Rod Hinge 42/46/48/54
14	532 19 51-61	Stud, Fasten w/ Anti-Rotate
17	873 90 05-00	Nut Lock Hex Flanged 5/16-18
24	539 11 28-99	Nut 5/16-18 Hex Flange Nyloc
26	532 17 85-15	Washer, Flat Hardened
27	532 19 61-04	Pulley, Idler Spec. Hub
28	586 87 40-02	Arm 42FCS Clutching
29	872 14 06-20	Bolt RDHD
30	532 19 61-06	Pulley, Idler
40	532 17 48-73	Gauge Wheel
41	532 19 34-06	Bolt Shoulder
42	532 19 51-85	Arm, Susp., Rear
43	873 90 06-00	Nut Lock Flg 3/8-16 unc
44	532 19 65-39	Bolt Shoulder
46	587 27 01-01	Belt 42 FCS
51	532 19 97-91	Pulley, Mandrel
52	588 43 83-01	Screw 7/16-14 x 2.125 Hex Wsh Hd.
53	532 41 55-98	Washout Port
55	539 11 55-74	Eyebolt 5/16 x 3-1/2
56	587 35 84-01	Spring
57	539 99 05-85	Nut 5/16-18 Hex
61	584 95 39-01	Bolt Hx
65	532 11 04-52	Nut Push
66	587 30 57-01	Deflector Assy 42 FCS
67	532 13 77-29	Screw
68	532 19 84-68	Keeper Belt Idler
69	586 93 68-05	Cover 42" Mandrel
74	872 11 05-05	Bolt Carriage 5/16-18 x 5/8
75	579 81 10-01	Bumper
76	585 93 81-01	Nut Acorn
77	819 13 20-12	Washer 12 Ga.
78	501 80 83-02	Gauge Wheel Bracket RH
79	501 80 16-02	Gauge Wheel Bracket LH
--	532 41 64-05	Connect Quick Coupling
--	587 93 92-01	Mower Deck Complete

NOTE: All component dimensions given in U.S. inches
1 inch = 25.4 mm

**TRACTOR - MODEL NO. YT42DXLS (96048008401), PRODUCT NO. 960 48 00-84
MOWER LIFT**



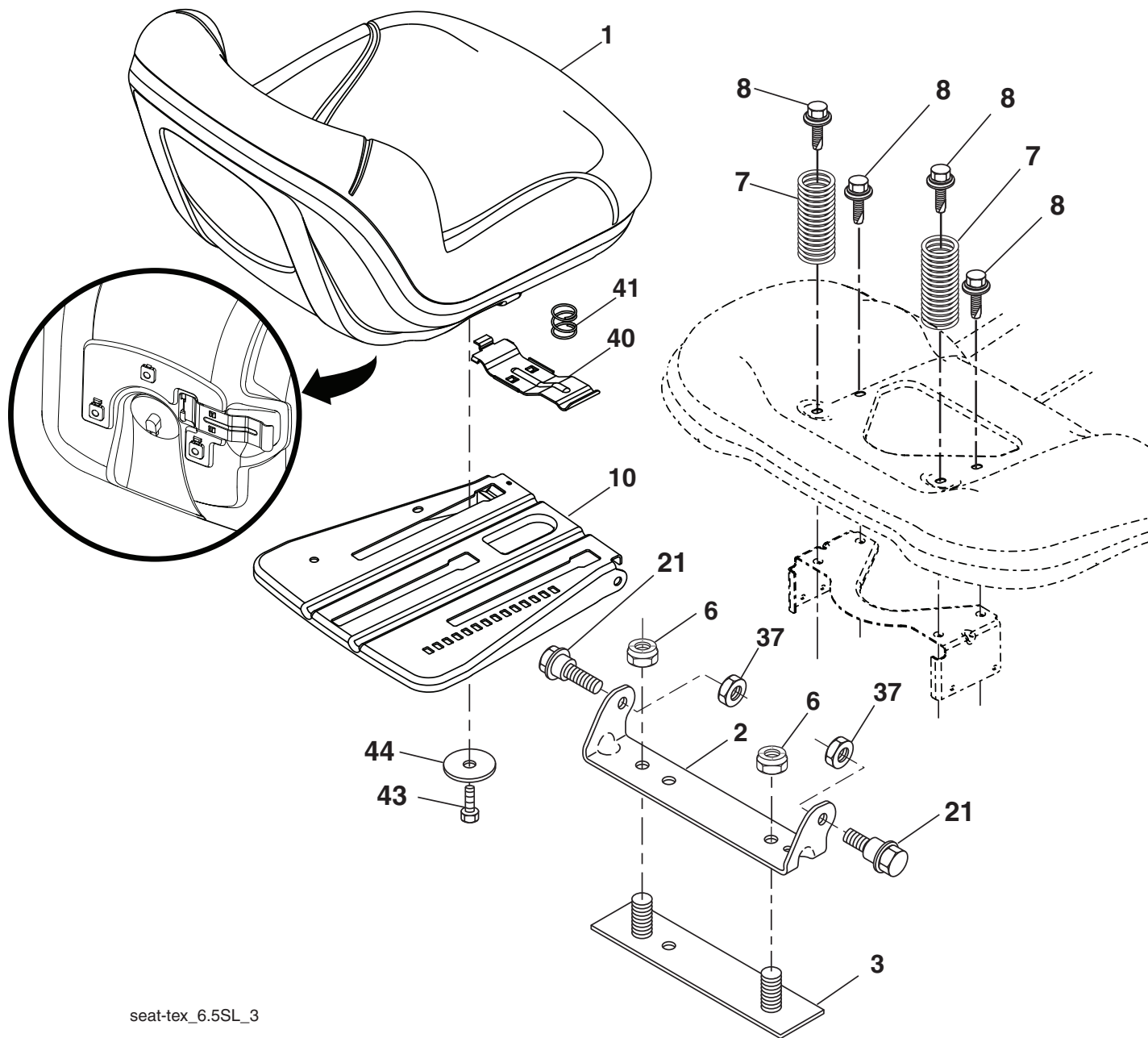
lift-tex_24

KEY NO.	PART NO.	DESCRIPTION
2	532 42 20-27	Shaft Asm., Lift
3	532 19 52-31	Lever Asm., Lift RH
7	580 96 23-01	Grip, Lever
10	532 19 63-14	Spring Torsion
41	532 17 59-94	Nut, Lift Link
87	532 19 42-09	Pin Cotter 7/16 Bow Tie Lock
88	532 41 07-10	Spring Lift Assist
89	819 19 19-12	Washer Clear Zinc

KEY NO.	PART NO.	DESCRIPTION
91	532 40 34-07	Link Lift Susp Mower Rear
96	532 19 52-63	Bushing, Spherical
97	817 00 06-12	Screw 3/8-16 x .75
98	574 82 25-01	Link Lift Susp. Front Mower
114	873 36 07-00	Nut Jam 7/16-20

NOTE: All component dimensions given in U.S. inches
1 inch = 25.4 mm

**TRACTOR - MODEL NO. YT42DXLS (96048008401), PRODUCT NO. 960 48 00-84
SEAT ASSEMBLY**



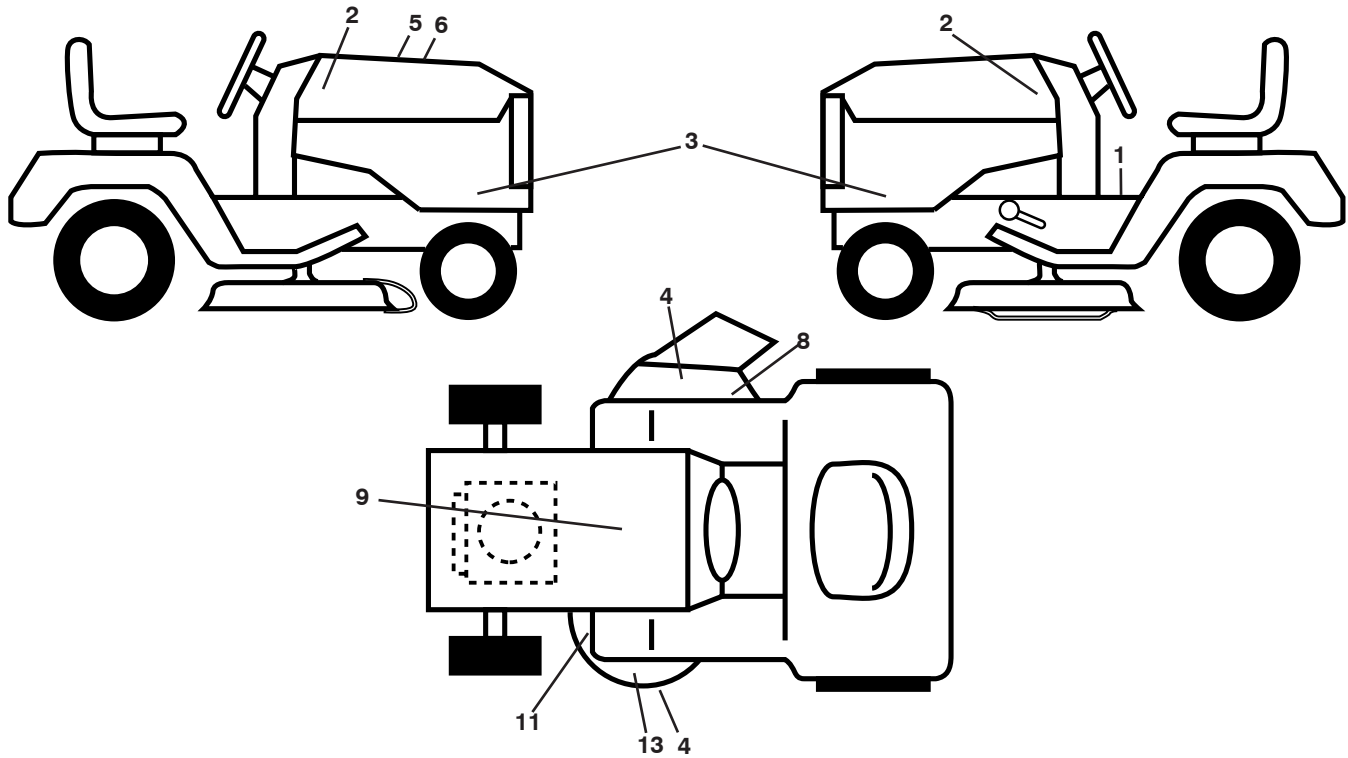
seat-tex_6.5SL_3

KEY NO.	PART NO.	DESCRIPTION
1	532 43 98-22	Seat
2	532 18 01-66	Bracket Pivot Fender
3	532 14 06-75	Strap, Asm Fender
6	873 80 06-00	Nut, Lock w/Ins. 3/8-16 unc
7	587 61 33-01	Spring, Seat Cprsn
8	532 17 18-77	Bolt 5/16-18 unc x 3/4 w/Sems
10	532 19 69-77	Pan, Seat
21	587 90 78-01	Bolt, Shoulder 5/16-18 x 5/8

KEY NO.	PART NO.	DESCRIPTION
37	873 80 05-00	Nut, Lock 5/16-18 unc
40	532 43 98-71	Handle Slide Seat
41	532 19 82-00	Spring Latch Seat
43	874 76 06-12	Bolt Fin Hex 3/8-16 unc x 3/4
44	819 13 38-12	Washer 13/32 x 2-3/8 x 12 Ga.

NOTE: All component dimensions given in U.S. inches
1 inch = 25.4 mm

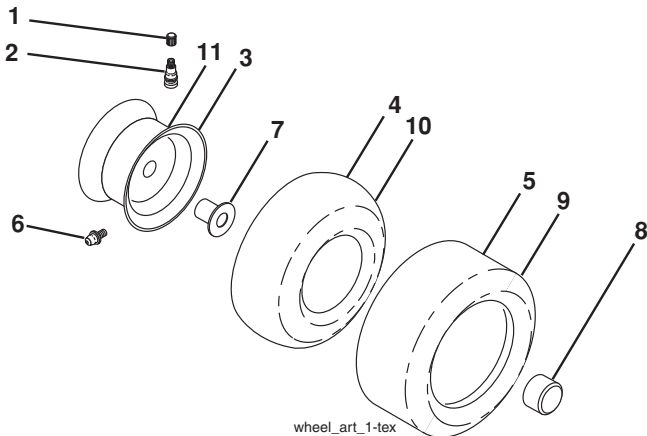
**TRACTOR - MODEL NO. YT42DXLS (96048008401), PRODUCT NO. 960 48 00-84
DECALS**



KEY NO.	PART NO.	DESCRIPTION
1	581 57 90-01	Decal, Warning
2	581 62 73-01	Badge, Hood
3	587 89 28-01	Decal, Side Panel
4	581 72 43-01	Decal, No Step
5	532 42 38-29	Decal, Customer Respons.
6	587 93 47-01	Decal, Replacement
8	586 97 88-01	Decal, Warning
9	532 14 50-05	Decal, Battery Dnge/Poi
11	581 58 00-01	Decal, Deck Sch.

KEY NO.	PART NO.	DESCRIPTION
13	585 91 01-01	Decal, Warranty
--	581 72 48-01	Decal, Bypass
--	532 43 96-81	Pad, Footrest, LH
--	532 43 96-82	Pad, Footrest, RH
--	114 02 76-24	Manual, Operators (English/French)
--	114 02 86-24	Manual, Parts (English/French)
--	587 71 00-26	Quick Reference Guide

WHEELS AND TIRES



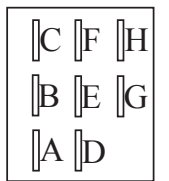
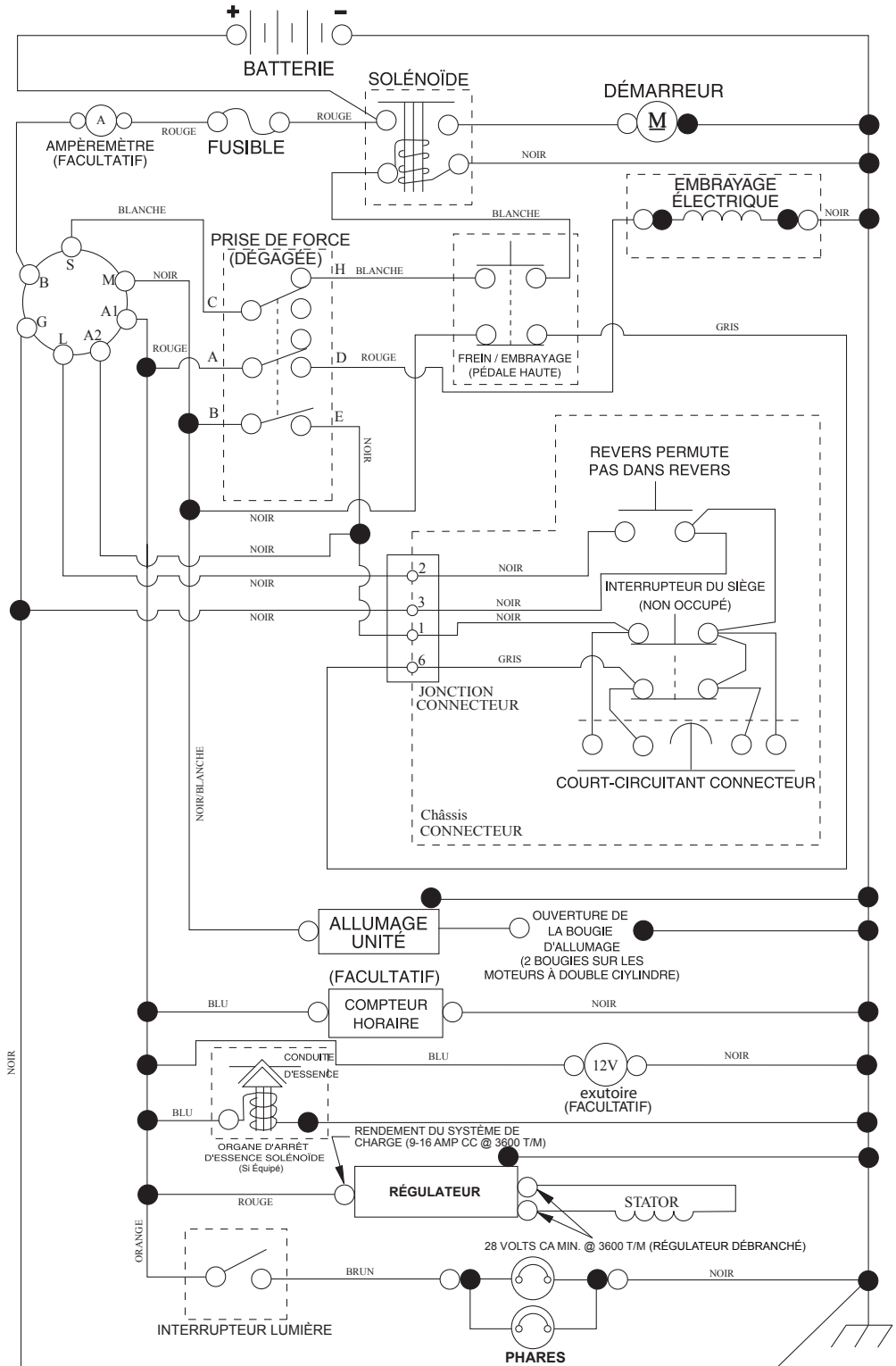
KEY NO.	PART NO.	DESCRIPTION
1	532 05 91-92	Cap Valve Tire
2	532 06 51-39	Stem Valve
3	532 13 83-36	Rim Front Service
4	532 05 99-04	Tube Front (Service Item Only)
5	532 17 04-55	Tire Front 15 x 6-6
6	532 12 49-57	Fitting Grease (Front Wheel Only)
7	532 12 49-59	Bearing Flange (Front Wheel Only)
8	532 17 50-39	Cap Axle Blk 1 50 x 1 00
9	532 17 04-56	Tire Rear 20 x 10-8
10	532 12 49-26	Tube Rear (Service Item Only)
11	532 13 83-37	Rim Asm 8" Rear Service
--	532 14 43-34	Sealant, Tire (10 oz. Tube)

NOTE: All component dimensions given in U.S. inches
1 inch = 25.4 mm

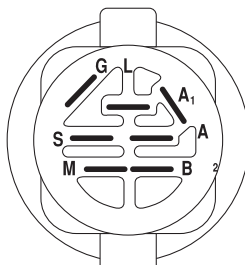
TRACTEUR - NO. DE MODÈLE YT42DXLS (96048008401), NO. DE PROD. 960 48 00-84

SCHEMA

SCH12-F

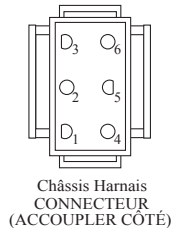


PRISE DE FORCE INTER interrupteur (ACCOUPLER CÔTÉ)



CONTACTEUR D'ALLUMAGE

POSITION	CIRCUIT "FAITS"
ARRÊT	M + G + A1
MARCHE/ ALLUMAGE	B + A1
MARCHE	B + A1 L+A2
DÉMARRAGE	B + S + A1



Châssis Harnais CONNECTEUR (ACCOUPLER CÔTÉ)

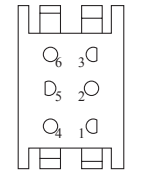


Tableau de bord Harnais CONNECTEUR

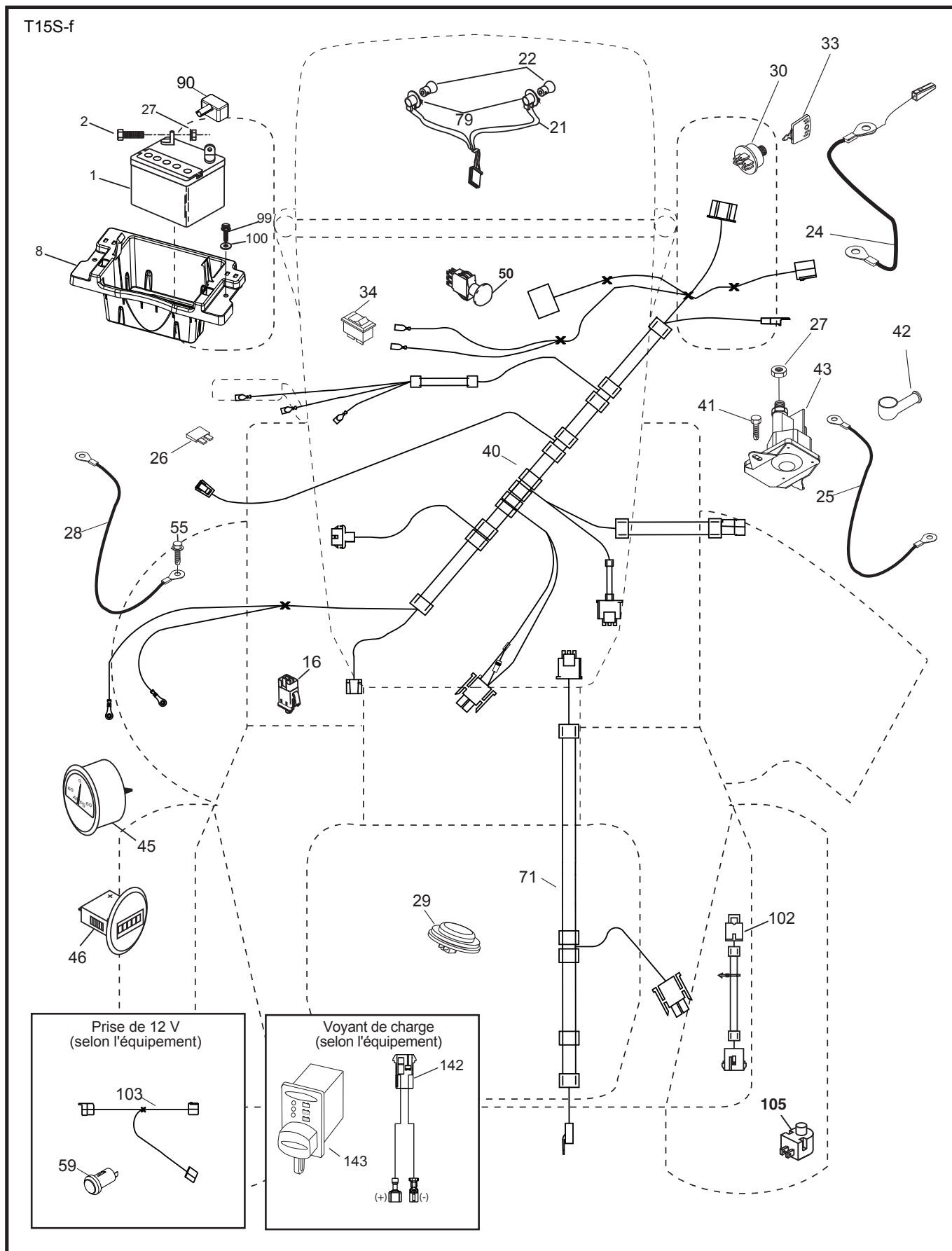
PINCES ISOLÉES

REMARQUE: SI LES PINCES ISOLÉES ONT ÉTÉ ENLEVÉES POUR L'ENTRETIEN DU MODÈLE, ELLES DOIVENT ÊTRE REMISES EN PLACE POUR ASSURER LE BON FONCTIONNEMENT DU CÂBLAGE.

CONNECTEURS NON-AMOVIBLES

CONNECTEURS AMOVIBLES

TRACTEUR - NO. DE MODÈLE YT42DXLS (96048008401), NO. DE PROD. 96048 00-84
ÉLECTRIQUE

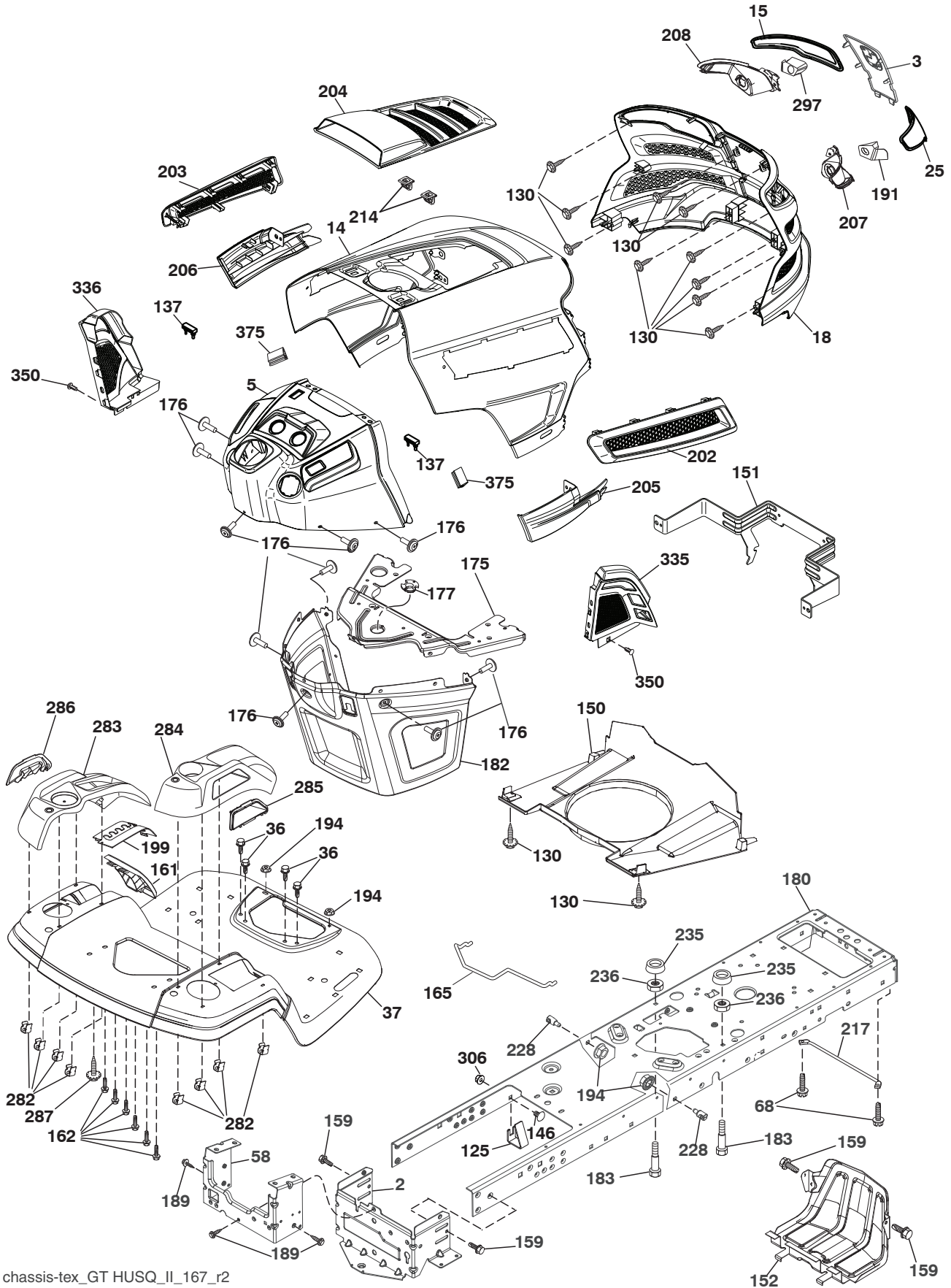


**TRACTEUR - NO. DE MODÈLE YT42DXLS (96048008401), NO. DE PROD. 960 48 00-84
ÉLECTRIQUE**

NO. DE RÉF.	NO DE PIÈCE	DESCRIPTION
1	532 16 34-65	Batterie
2	874 76 04-12	Boulon H 1/4-20 unc x 3/4
8	587 20 51-01	Bac de batterie
16	532 17 61-38	Interrupteur de verrouillage pressé
21	532 40 02-52	Harnais des prises de courant des phares
22	532 00 41-52	Ampoule
24	585 55 56-01	Câble de batterie
25	585 55 55-01	Câble de démarreur
26	532 17 51-58	Fusible
27	873 51 04-00	Écrou H 1/4-20 unc
28	532 41 65-88	Câble de masse
29	532 40 15-45	Interrupteur
30	532 19 33-50	Contacteur d'allumage
33	532 41 19-35	Clé de contact
34	532 11 07-12	L'interrupteur des phares
40	501 13 31-01	Harnais des câbles d'allumage
41	817 72 04-08	Vis 1/4-20 x 1/2
42	532 13 15-63	Couverture de borne
43	532 19 25-07	Solénoïde
45	587 55 39-03	Ampèremètre autour
46	587 55 40-03	Compteur horaire
50	532 17 46-51	Interrupteur
55	817 06 05-12	Vis 5/16-18 x 3/4
59	532 40 03-03	12V Sortie
71	532 19 42-76	Harnais des câbles d'allumage
79	532 17 52-42	L'ampoule d'Assemblée de douille
90	532 43 53-95	Couverture
99	817 67 04-12	Vis 1/4-20 x 3/4
100	819 09 14-16	Rondelle 9/32 x 7/8 x 16 Ja.
102	532 40 44-54	L'assemblée du Câble
103	532 42 17-47	L'assemblée du Câble 12V
105	532 40 75-68	Commutateur inverse de contrôle de pédale

REMARQUE: Toutes les dimensions de composant sont données en pouces É.-U. --1 pouce = 25,4 mm

TRACTEUR - NO. DE MODÈLE YT42DXLS (96048008401), NO. DE PROD. 960 48 00-84
CHÂSSIS/ENCEINTES



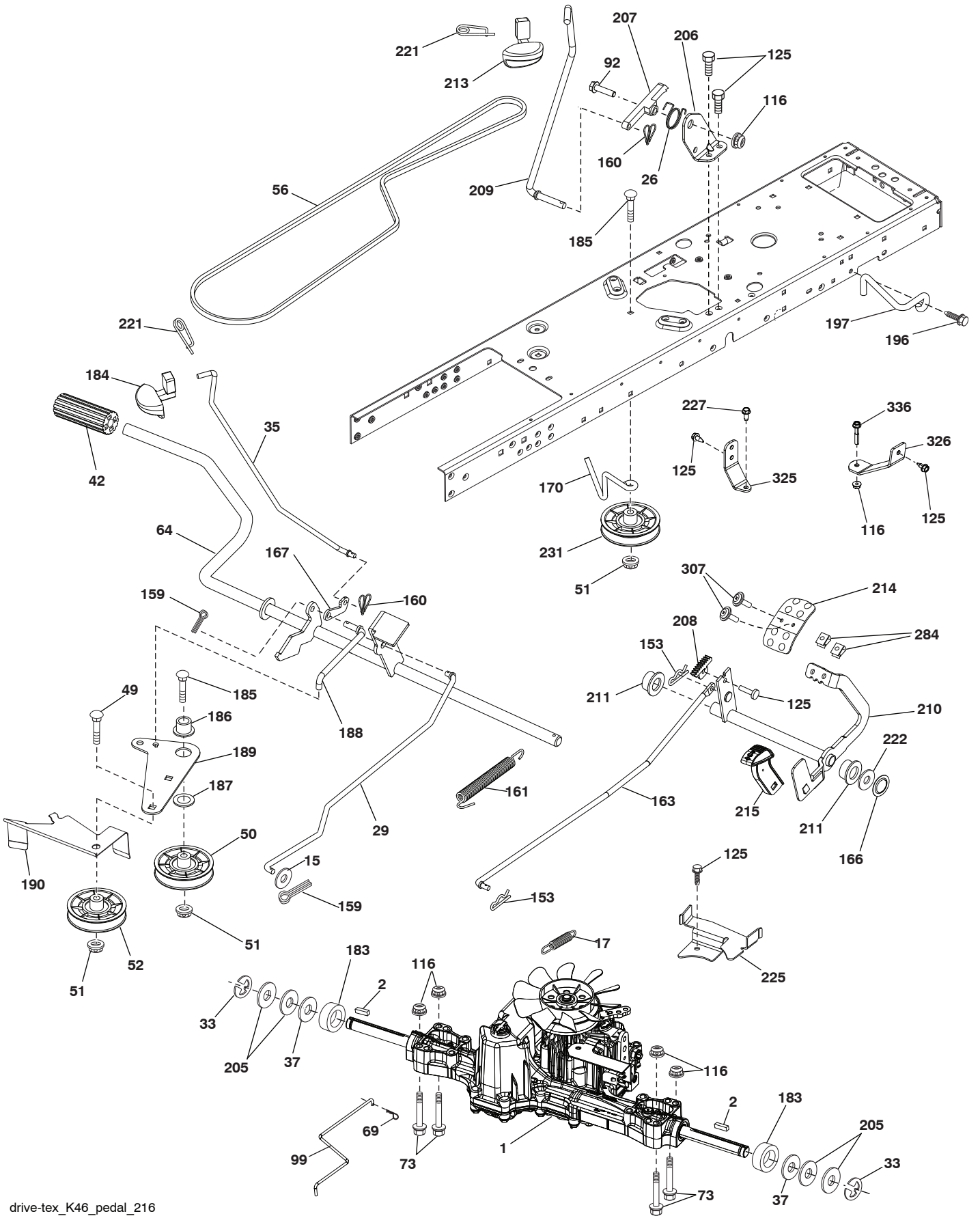
chassis-tex_GT HUSQ_II_167_r2

TRACTEUR - NO. DE MODÈLE YT42DXLS (96048008401), NO. DE PROD. 960 48 00-84 CHÂSSIS/ENCEINTES

NO. DE RÉF.	NO DE PIÈCE	DESCRIPTION	NO. DE RÉF.	NO DE PIÈCE	DESCRIPTION
2	532 41 22-82	Barre d'attelage inférieur	199	532 41 34-85	L'ascenseur de Plaque de pont
3	532 44 44-81	Tailler Husq.	202	532 43 97-28	Ventile C.D.
5	532 43 74-88	Tableau de bord	203	532 43 97-27	Ventile C.G.
14	532 44 11-77	Capot	204	532 43 57-14	Ventile sommet
15	532 43 97-33	Lentilles C.G.	205	532 43 97-30	Jupe C.D.
18	532 44 06-53	Grille	206	532 43 97-29	Jupe C.G.
25	532 44 33-85	Lentilles C.D.	207	532 43 97-34	Biseau C.D.
36	817 06 05-12	Vis 5/16-18 x 3/4	208	532 43 97-35	Biseau C.G.
37	587 57 48-01	Aile	214	532 19 91-45	Collier de retenue
58	532 41 22-80	Barre d'attelage supérieur	217	532 40 91-67	Pivoter la Tringle
68	817 49 05-08	Vis 5/16-18 x 1/2	228	532 19 51-61	Attache À Tenon
125	581 68 48-01	Support	235	532 40 61-29	Entretoise pour l'aile
130	532 41 63-58	Vis 10 x .750	236	873 93 05-00	Écrou auto-bloquant 5/16-18 unc
137	532 40 75-90	Précipiter le pare-chocs	282	532 41 41-10	La console de retenue
146	581 85 79-01	Boulon	283	532 43 98-61	La Console d'Ascenseur de tondeuse
150	532 43 97-74	Canalisation	284	532 43 98-23	Console du changement
151	532 43 66-70	Support du capot	285	532 41 63-15	Insérer la Console C.D.
152	532 43 98-70	Deflecteur	286	532 41 63-17	Insérer la Console C.G.
159	817 00 06-12	Vis 3/8-16 x 3/4	287	817 60 04-06	Vis 1/4-20 x 3/8
161	532 44 00-29	Fenêtre de carburant	297	532 43 74-56	Insert C.G.
162	532 14 24-32	Vis 1/4 x 1/2 unc	306	873 90 06-00	Écrou
165	532 19 43-30	Soutien du support du réservoir d'essence	335	532 44 82-04	Couvercle C.D.
175	532 19 63-04	Pièce d'entretoisement	336	532 44 53-09	Couvercle C.G.
176	532 40 07-76	Vis 10-24 x 5/8	350	532 44 51-43	Attache
177	532 19 52-28	Douille	375	586 90 82-01	Butoir de capot
180	532 44 55-59	Châssis	--	532 43 18-82	Jeu de protecteur
182	532 40 68-59	Douille			
183	874 52 05-20	Boulon 5/16-18 x 1-1/4			
189	817 00 05-12	Vis 5/16-18 x 3/4			
191	532 43 74-55	Insert (C.D.)			
194	873 90 05-00	Écrou frein 5/16-18			

REMARQUE: Toutes les dimensions de composant sont données en pouces E.-U. --1 pouce = 25,4 mm

TRACTEUR - NO. DE MODÈLE YT42DXLS (96048008401), NO. DE PROD. 960 48 00-84
ENTRAÎNMENT



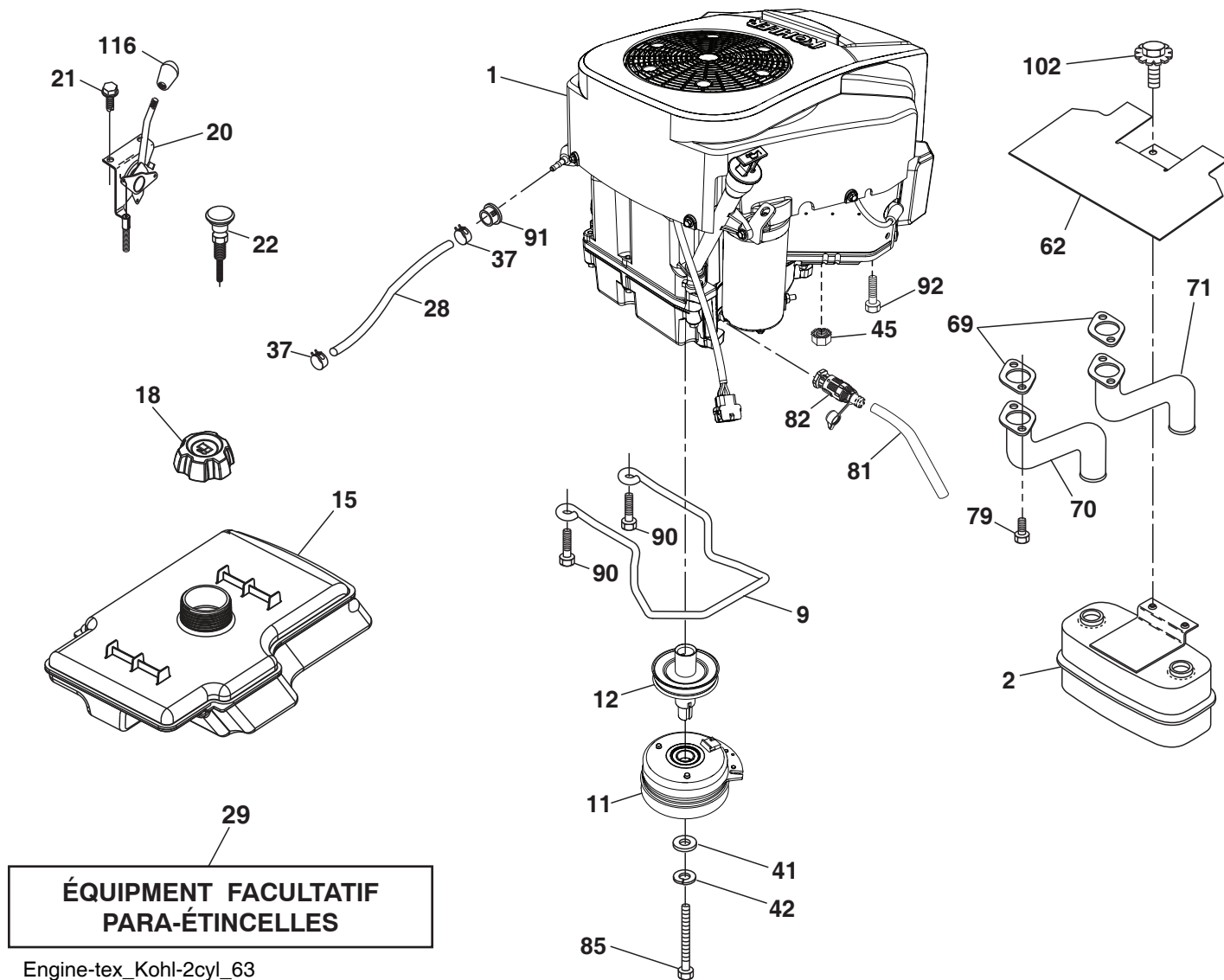
drive-tex_K46_pedal_216

TRACTEUR - NO. DE MODÈLE YT42DXLS (96048008401), NO. DE PROD. 960 48 00-84 ENTRAÎNMENT

NO. DE RÉF.	NO DE PIÈCE	DESCRIPTION	NO. DE RÉF.	NO DE PIÈCE	DESCRIPTION
1	---	Transmission TUFFTORQ K46CR (501051401)(Commandez les pièces du fabricant du transmission.)	183	532 13 70-57	Entretoise fendue
2	532 12 35-83	Clé	184	587 65 37-01	Guidon
15	819 13 13-16	Rondelle 13/32 x 13/16 x 16 Ja.	185	872 11 06-22	Boulon 3/8-16 x 2-1/2
17	532 41 36-78	Ressort	186	532 19 43-21	Ressort de retenue
26	532 19 96-79	Ressort de rappel	187	819 13 32-10	Rondelle
29	532 40 38-06	Tige du frein	188	582 21 70-01	Raccord d'embrayage longue
33	812 00 00-01	Bague en E	189	532 19 43-17	Levier coudé
35	583 86 45-01	Tige du frein de stationnement	190	532 19 43-18	Guide
37	532 18 89-67	Rondelle	196	817 00 06-16	Vis 3/8-16 x 1
42	532 12 48-72	Couverture de la pédale	197	587 40 20-01	Support
49	872 11 06-14	Boulon	205	532 12 17-48	Rondelle
50	532 19 43-27	Poulie du galet-tendeur	206	532 44 85-96	Support
51	873 90 06-00	Écrou frein 3/8-16	207	587 03 14-01	Loquet
52	532 19 43-26	Galet-tendeur	208	532 19 78-69	Secteur denté
56	532 13 09-69	Courroie trapézoïdale	209	532 19 95-92	Tige
64	532 19 78-65	Ensemble de l'arbre	210	532 40 09-80	Culbuteur
69	532 42 33-03	Zinc doux en épingle à cheveux .059 x 1.125	211	532 12 01-83	Palier de nylon
73	874 49 05-40	Boulon 5/16-18 x 2-1/2 Cat. 5	213	532 40 31-19	Boulon
92	874 76 05-20	Boulon 5/16-18 unc x 1.25	214	532 41 68-63	Pédale en avant
99	582 40 45-01	Barre Bypass LT K46, K57	215	586 60 65-02	Pédale contraire
116	873 90 05-00	Écrou frein 5/16-18	221	532 40 31-87	Poignée de clip à ressort d'arrêt
125	817 00 05-12	Vis 5/16-18 x 3/4	222	879 21 20-10	Rondelle 21/32 x 1-1/4 x 10 Ja.
153	532 12 47-88	Ressort d'arrêt	225	532 40 33-19	Garde de courroie de transmission
159	876 02 04-12	Goupille fendue 1/8 x 3/4	227	817 49 05-12	Vis 5/16-18 X 3/4
160	532 16 94-84	Collier de retenue	231	532 40 72-87	Poulie du galet-tendeur
161	532 10 57-09	Ressort de rappel d'embrayage	284	532 41 76-93	Écrou 1/4-20
163	532 44 82-75	Tige	307	874 18 04-12	Vis 1/4-20 x 3/4
166	532 42 91-64	L'écrou poussant	325	586 43 12-02	Support
167	532 40 52-57	Loquet	326	586 00 11-02	Support
170	532 41 34-30	Guide-courroie	336	587 25 96-01	Boulon

REMARQUE: Toutes les dimensions de composant sont données en pouces É.-U. --1 pouce = 25,4 mm

TRACTEUR - NO. DE MODÈLE YT42DXLS (96048008401), NO. DE PROD. 960 48 00-84
MOTEUR



TRACTEUR - NO. DE MODÈLE YT42DXLS (96048008401), NO. DE PROD. 960 48 00-84
MOTEUR

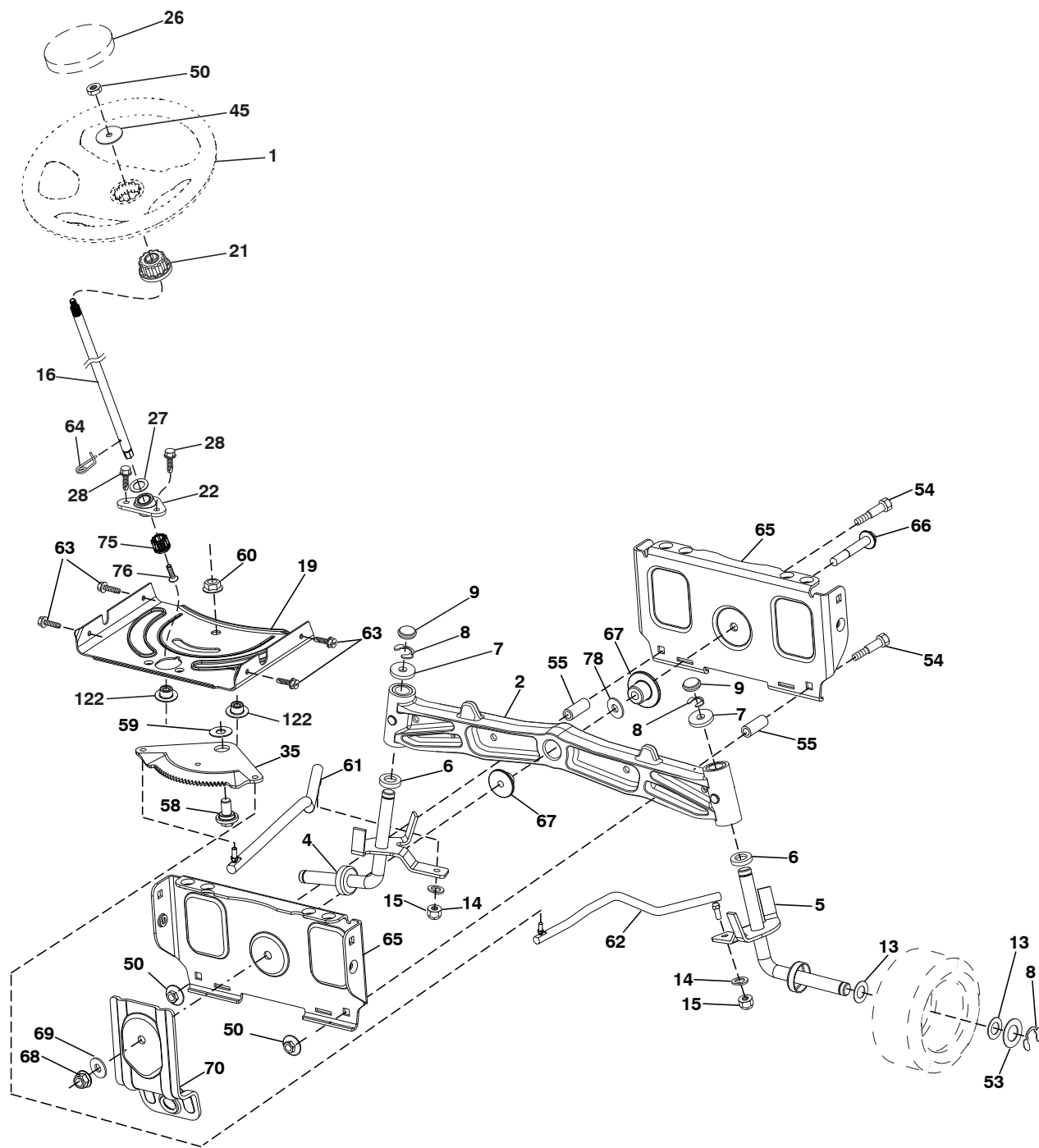
NO. DE RÉF.	NO DE PIÈCE	DESCRIPTION
1	- - - - -	Engine Kohler Model No. KT735-3022 (585446201)(Commandez les pièces du fabricant du moteur.)
2	589 81 87-01	Silencieux
9	501 83 26-01	Ensemble de la guide courroie du moteur
11	587 25 50-01	Embrayage électrique
12	586 89 96-01	Poulie
15	532 43 08-24	Réservoir d'essence
18	584 24 87-01	Chapeau
20	587 63 17-03	Commande des gaz
21	532 43 85-62	Vis #10 x .750
22	532 19 15-96	Commande du starter
28	532 40 11-35	Conduite d'essence
29	532 13 71-80	Jeu de pare - étincelles
37	532 12 34-87	Bride de serrage de tuyau
41	532 12 61-97	Rondelle 1-1/2 OD x 15/32 ID x .250
42	810 04 07-00	Rondelle frein 7/16
45	873 51 04-00	Écrou 1/4-20 unc
62	532 43 40-17	Défecteur de débris
69	532 18 60-54	Garniture
70	583 95 45-01	Tube d'échappement C.G.
71	583 95 48-01	Tube d'échappement C.D.
79	532 19 23-34	Vis 5/16-18 x .75
81	532 14 84-56	Tuyau
82	532 42 82-87	Soupape
85	871 17 07-80	Boulon 7/16-20 x 5
90	817 00 06-16	Vis 3/8-16 x 1
91	532 18 74-95	Bague
92	817 12 06-16	Vis 3/8-16 x 1
102	817 00 05-12	Vis 5/16-18 x 3/4
116	539 13 26-24	Bouchon

REMARQUE: Toutes les dimensions de composant sont données en pouce d'E.-U. - - 1 pouce = 25,4 mm.

Pour des pièces de service et de rechange de moteur, réclamez le numéro de téléphone libre pour votre fabricant de moteur énuméré ci-dessous:

Kohler Co. 1-800-544-2444

TRACTEUR - NO. DE MODÈLE YT42DXLS (96048008401), NO. DE PROD. 960 48 00-84
ENSEMBLE DE LA DIRECTION



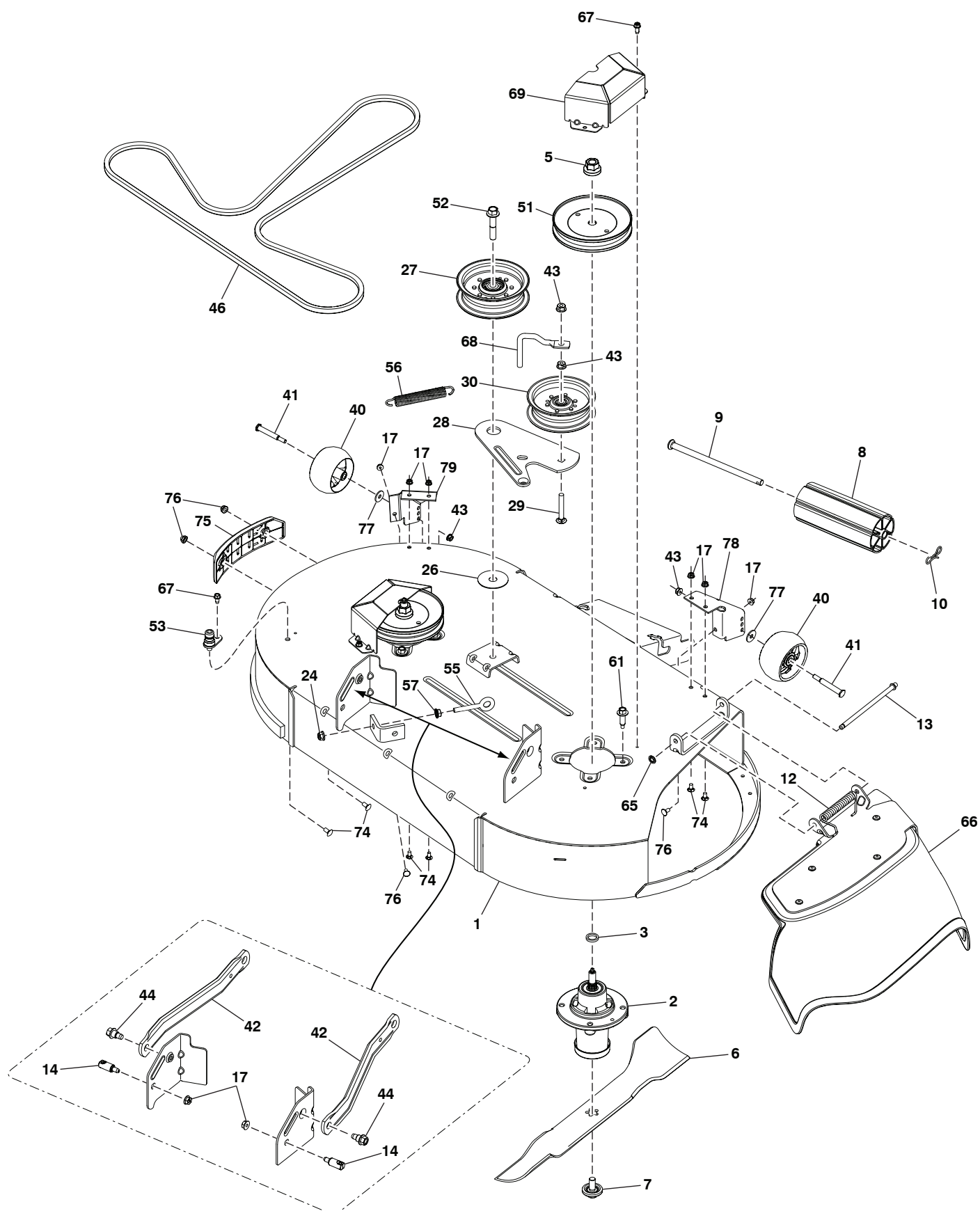
Steering-tex_LEGND2_58

**TRACTEUR - NO. DE MODÈLE YT42DXLS (96048008401), NO. DE PROD. 960 48 00-84
ENSEMBLE DE LA DIRECTION**

NO. DE RÉF.	NO DE PIÈCE	DESCRIPTION
1	532 43 97-40	Volant de direction
2	532 19 59-68	Essieu
4	586 72 40-01	Ensemble de la broche C.G.
5	586 72 41-01	Ensemble de la broche C.D.
6	532 12 49-31	Palier de butée durci
7	532 12 17-48	Rondelle 25/32 x 1-5/8 x 16 Ja.
8	812 00 00-29	Rondelle clip n°t5304-75
9	532 12 12-32	Chapeau de broche
13	532 12 17-49	Rondelle 25/32 x 1-1/4 x 16 Ja.
14	810 04 06-00	Rondelle frein 3/8
15	873 54 06-00	Écrou frein 3/8-24 unf
16	587 01 60-02	Arbre de direction
19	532 19 47-29	Arbre de plaque
21	586 84 02-01	Adaptateur du volant de direction
22	585 02 98-02	Palier
26	532 43 97-43	Insert de chapeau du volant de direction
27	819 21 16-16	Rondelle
28	817 00 06-12	Vis 3/8-16 x 3/4
35	532 19 47-32	Secteur denté
45	587 01 64-01	Rondelle 3/8 ID 2-3/8 OD 12 Ja. PLTD
50	873 90 06-00	Écrou 3/8-16 unc
53	532 18 89-67	Rondelle .793 x 1.637 x .060
54	874 76 06-36	Boulon 3/8-16 unc x 2-1/4
55	532 41 47-36	Essieu d'entretoise
58	532 19 47-47	Boulon à épaulement
59	532 19 47-48	Rondelle
60	873 97 10-00	Écrou frein à collet 5/8-11
61	532 19 47-40	Barre de direction C.G.
62	532 19 47-41	Barre de direction C.D.
63	817 00 05-12	Vis 5/16-18 x 3/4
64	532 19 98-49	Collier de retenue
65	532 19 47-34	Moise d'axe de devant
66	871 02 07-48	Boulon 7/16-14 x 3
67	532 19 47-37	Douille
68	873 90 07-00	Écrou frein à collet 7/16-14 Cat. 5
69	532 19 91-62	Rondelle 1.5 x .505 x .118
70	585 33 88-01	Support
75	580 68 37-01	Pignon
76	580 68 36-01	Vis
78	532 05 70-79	Rondelle
122	532 44 49-62	Chapeau

REMARQUE: Toutes les dimensions de composant sont données en pouces É.-U. --1 pouce = 25,4 mm

TRACTEUR - NO. DE MODÈLE YT42DXLS (96048008401), NO. DE PROD. 960 48 00-84
CARTER DE TONDEUSE

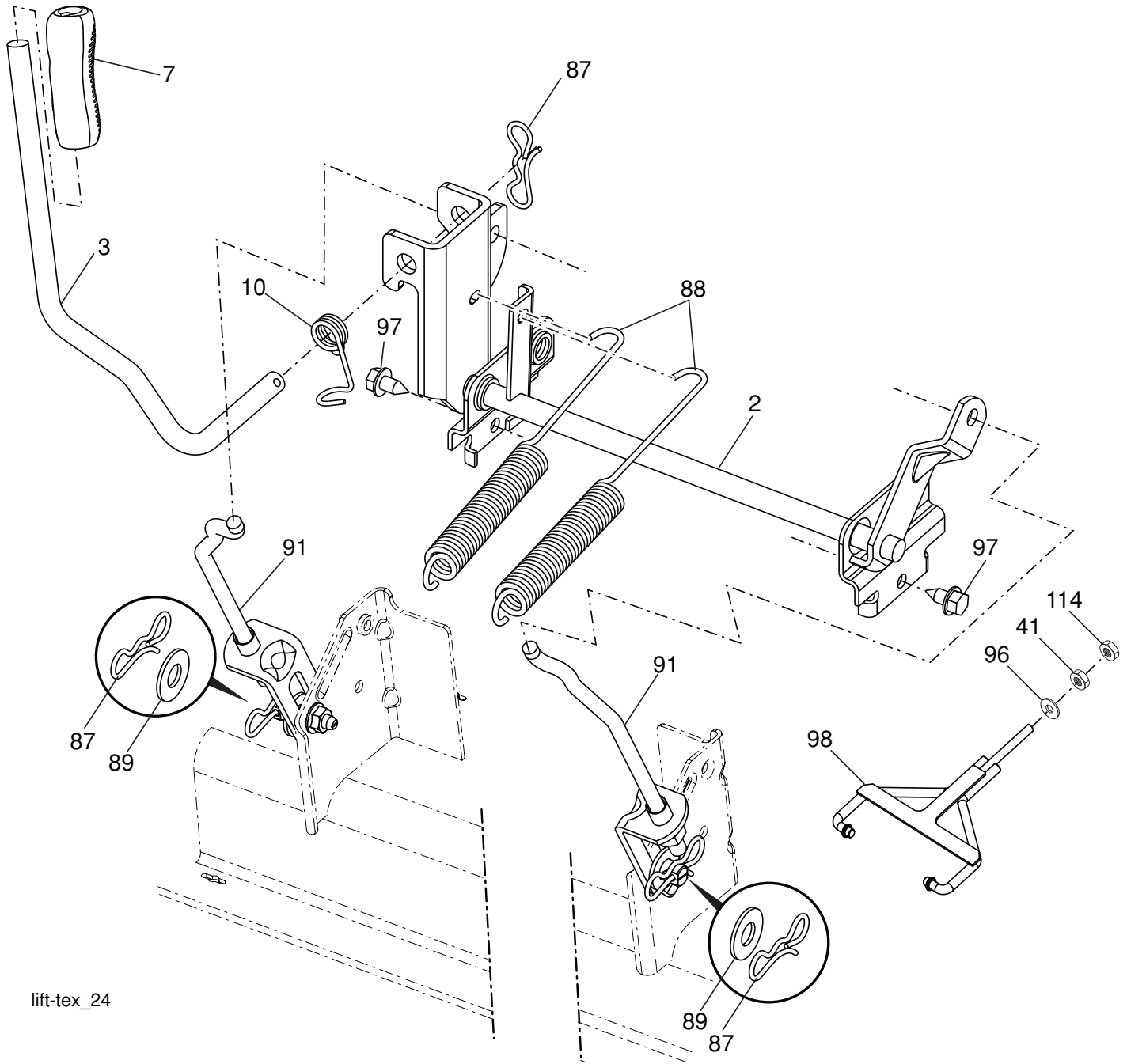


**TRACTEUR - NO. DE MODÈLE YT42DXLS (96048008401), NO. DE PROD. 960 48 00-84
CARTER DE TONDEUSE**

NO. DE RÉF.	NO DE PIÈCE	DESCRIPTION
1	589 02 90-02	Carter de tondeuse
2	539 11 21-70	Ensemble le boîtier
3	539 18 76-90	Rondelle
5	532 40 02-34	Écrou
6	586 91 81-01	Lame 14-5/8"
7	539 19 30-03	Boulon 7/16
8	532 17 60-66	Rouleau-guide
9	532 17 91-27	Tige de rouleau-guide
10	532 19 42-08	Pince d'arrêt
12	587 35 47-01	Ressort
13	532 13 14-91	Tige
14	532 19 51-61	Attache à tenon avec anti-Tournent
17	873 90 05-00	Écrou 5/16-18
24	539 11 28-99	Écrou 5/16-18
26	532 17 85-15	Rondelle
27	532 19 61-04	Poulie
28	586 87 40-02	Bras du galet-tendeur
29	872 14 06-20	Boulon
30	532 19 61-06	Poulie de tension
40	532 17 48-73	Roue
41	532 19 34-06	Boulon
42	532 19 51-85	Bras de suspension arrière
43	873 90 06-00	Écrou 3/8-16
44	532 19 65-39	Boulon 3/8-16 x 3/8 Skt Hd
46	587 27 01-01	Courroie carter de tondeuse Fab 42"
51	532 19 97-91	Poulie Mandrin
52	588 43 83-01	Vis 7/16-14 x 2.125
53	532 41 55-98	Raccord de lavage du plateau de coupe
55	539 11 55-74	Boulon 5/16 x 3-1/2
56	587 35 84-01	Ressort
57	539 99 05-85	Écrou 5/16-18
61	584 95 39-01	Boulon 3/16-18 x 1.19
65	532 11 04-52	Écrou
66	587 30 57-01	Défecteur
67	532 13 77-29	Vis
68	532 19 84-68	Garde de courroie
69	586 93 68-05	Couverture
74	872 11 05-05	Boulon 5/16-18 x 5/8
75	579 81 10-01	Précipiter le pare-chocs
76	585 93 81-01	Écrou
77	819 13 20-12	Rondelle 12 Ja.
78	501 80 83-02	Roue Support CD
79	501 80 16-02	Roue Support CG
--	532 41 64-05	Connecteur d'accouplement du rapide
--	587 93 92-01	Complet carter de tondeuse

REMARQUE: Toutes les dimensions de composant sont données en pouces E.-U. --1 pouce = 25,4 mm

TRACTEUR - NO. DE MODÈLE YT42DXLS (96048008401), NO. DE PROD. 960 48 00-84
LEVAGE DE TONDEUSE

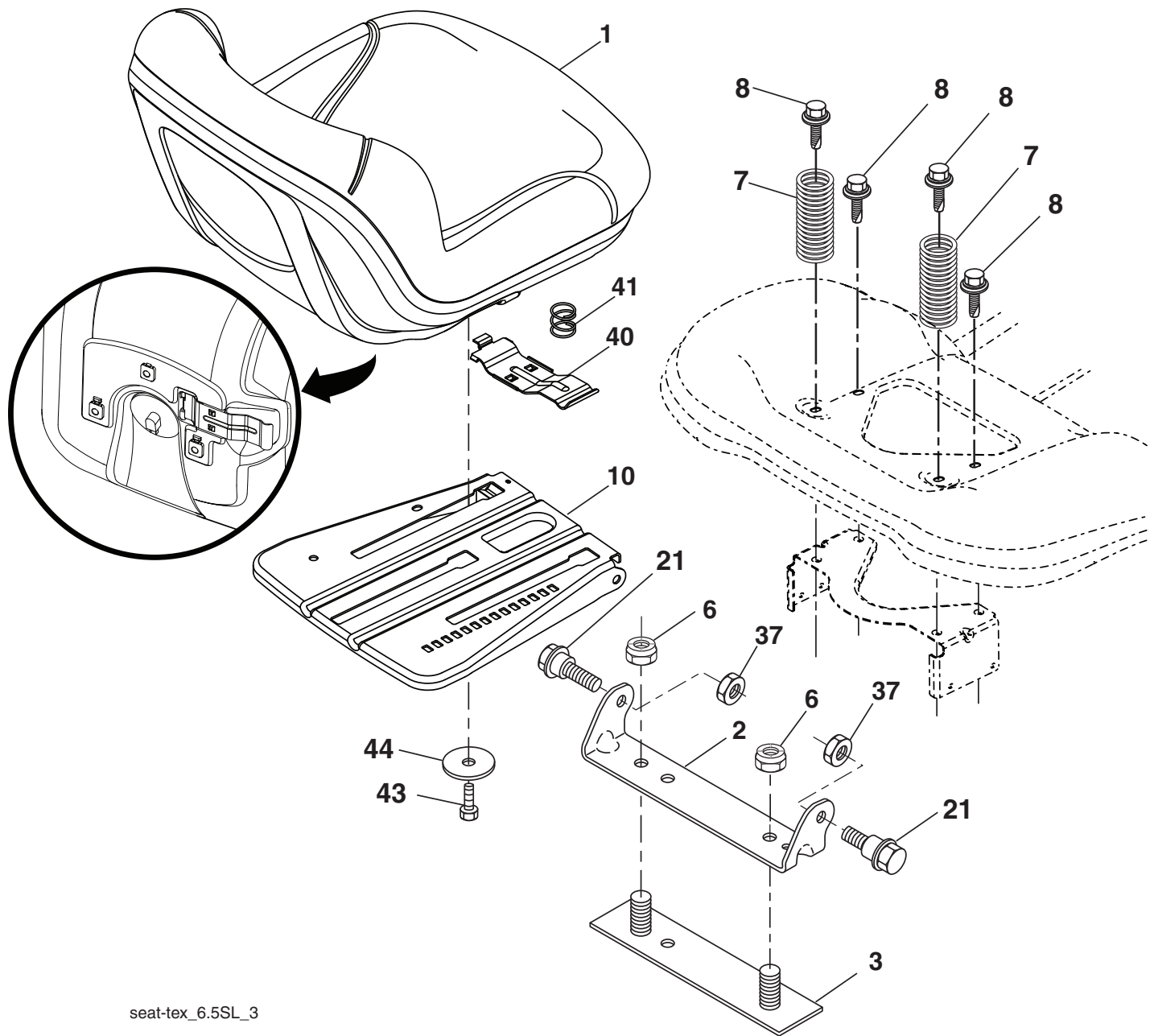


NO. DE RÉF.	NO DE PIÈCE	DESCRIPTION
2	532 42 20-27	Ensemble de l'arbre
3	532 19 52-31	Ensemble de l'arbre de levage
7	580 96 23-01	Poignée cannelée du levier
10	532 19 63-14	Ressort de torsion
41	532 17 59-94	Écrou
87	532 19 42-09	Goupille fendue 7/16
88	532 41 07-10	Ressort de retenue
89	819 19 19-12	Rondelle
91	532 40 34-07	Ensemble del acoplamiento

NO. DE RÉF.	NO DE PIÈCE	DESCRIPTION
96	532 19 52-63	Coussinet
97	817 00 06-12	Vis 3/8-16 x .75
98	574 82 25-01	Acoplamiento frontal de la elevación de la cortadora de césped
114	873 36 07-00	Écrou

REMARQUE: Toutes les dimensions de composant sont données en pouces É.-U. --1 pouce = 25,4 mm

TRACTEUR - NO. DE MODÈLE YT42DXLS (96048008401), NO. DE PROD. 960 48 00-84
ENSEMBLE DU SIÈGE

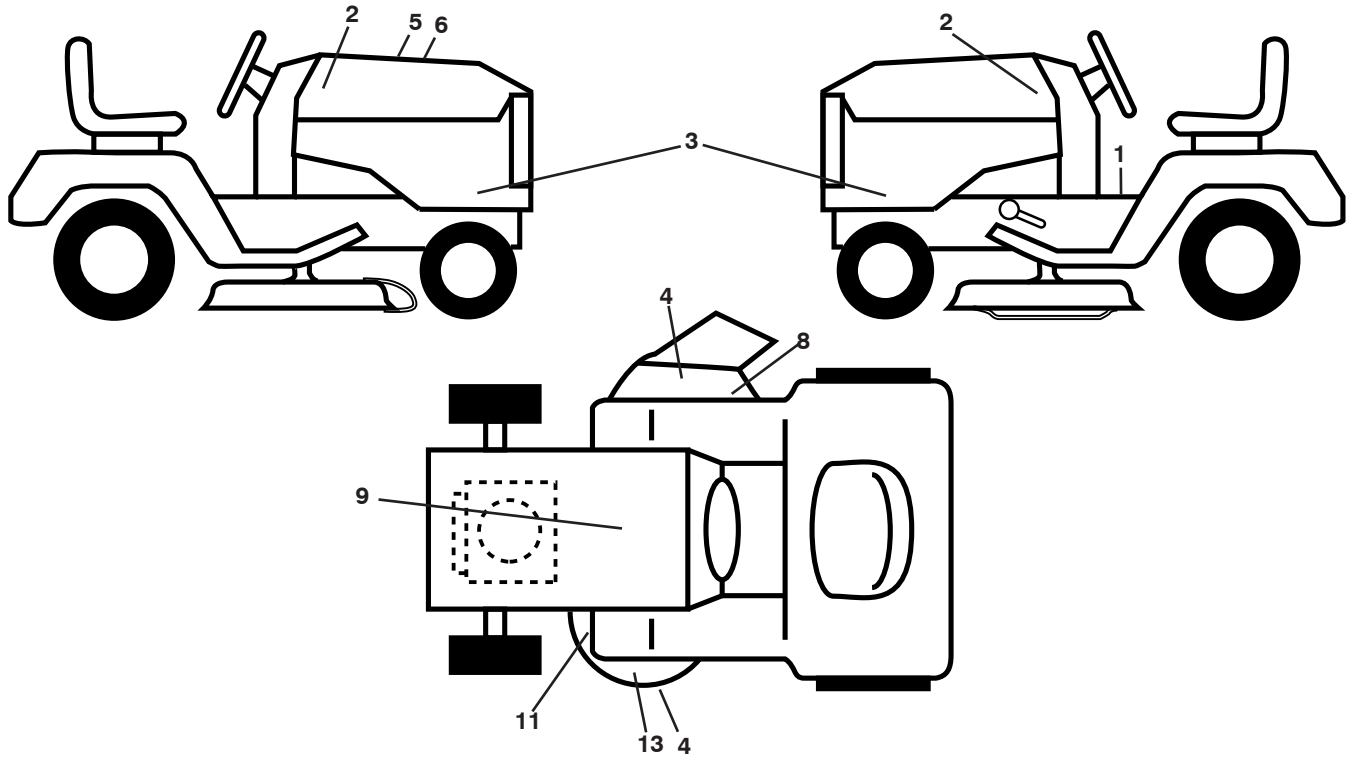


NO. DE RÉF.	NO DE PIÈCE	DESCRIPTION
1	532 43 98-22	Siège
2	532 18 01-66	Support de pivot
3	532 14 06-75	Attache de l'ensemble de l'aile
6	873 80 06-00	Écrou frein avec insert 3/8-16 unc
7	587 61 33-01	Ressort de compression du siège
8	532 17 18-77	Boulon 5/16-18 unc x 3/4
10	532 19 69-77	Cuvette du siège
21	587 90 78-01	Boulon à épaulement 5/16-18 x 5/8

NO. DE RÉF.	NO DE PIÈCE	DESCRIPTION
37	873 80 05-00	Écrou frein 5/16-18 unc
40	532 43 98-71	Guidon
41	532 19 82-00	Ressort de compression
43	874 76 06-12	Boulon 3/8-16 x 3/4
44	819 13 38-12	Rondelle 13/32 x 2-3/8 x 12 Ja.

REMARQUE: Toutes les dimensions de composant sont données en pouces É.-U. --1 pouce = 25,4 mm

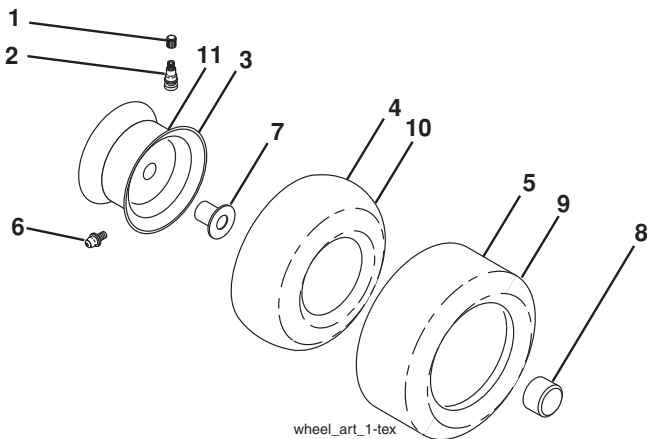
**TRACTEUR - NO. DE MODÈLE YT42DXLS (96048008401), NO. DE PROD. 960 48 00-84
DÉCALCOMANIE**



NO. DE RÉF.	NO DE PIÈCE	DESCRIPTION
1	581 57 90-01	Décalcomanie d'opération
2	581 62 73-01	Décalcomanie du capot
3	587 89 28-01	Décalcomanie Panneau du Côté
4	581 72 43-01	Décalcomanie, pas un pas
5	532 42 38-29	Décalcomanie Réponse clientèle
6	587 93 47-01	Décalcomanie remplacement
8	586 97 88-01	Décalcomanie, avertissement
9	532 14 50-05	Décalcomanie de danger/poison de la batterie
11	581 58 00-01	Décalcomanie, carter de tondeuse

NO. DE RÉF.	NO DE PIÈCE	DESCRIPTION
13	585 91 01-01	Décalcomanie de la garantie
--	581 72 48-01	Décalcomanie dérivation
--	532 43 96-81	Coussin d' repose-pied C.G.
--	532 43 96-82	Coussin d' repose-pied C.D.
--	114 02 76-24	Manuel de l'opérateur (Anglais/Français)
--	114 02 86-24	Manuel de pièces de rechange (Anglais/Français)
--	587 71 00-26	Guide de référence rapide

WHEELS AND TIRES



NO. DE RÉF.	NO DE PIÈCE	DESCRIPTION
1	532 05 91-92	Capuchon de la valve du pneu
2	532 06 51-39	Tubulure de la valve
3	532 13 83-36	Ensemble de la jante antérieure
4	532 05 99-04	Chambre à air antérieure (non fournie)
5	532 17 04-55	Pneu antérieur 15 x 6-6
6	532 12 49-57	Graisser (roue antérieure seulement)
7	532 12 49-59	Palier à bride (roue antérieure seulement)
8	532 17 50-39	Chapeau de l'essieu
9	532 17 04-56	Pneu arrière 20 x 10-8
10	532 12 49-26	Chambre à air arrière (non fournie)
11	532 13 83-37	Ensemble de la jante arrière
--	532 14 43-34	Joint d'étanchéité de pneu (tube de .30L [10 oz. Tube])

REMARQUE: Toutes les dimensions de composant sont données en pouces É.-U. --1 pouce = 25,4 mm

SERVICE NOTES/REMARQUES D'ENTRETIEN



www.husqvarna.com