

**Repair Parts Manual**  
**Manuel De Pièces De Rechange**  
**YTH48XLS / 96048006500**

Please read the operator's manual carefully and make sure you understand the instructions before using the machine.

Lisez très attentivement et soyez certain de comprendre ces instructions avant d'utiliser cette machine.



**English/French**



# HOW TO USE THIS MANUAL

This manual is designed to provide the customer with a means to identify the parts on his/her tractor when ordering repair parts. The illustrations may or may not represent the actual assemblies; therefore, it is not recommended to use this manual as a guide to assemble or disassemble the tractor. Some hardware and parts are drawn larger in order to more readily identify them.

Each tractor has its own model number.

The model number for your tractor can be found on the fender under the seat.

When ordering parts, always give the following information:

- Product - "TRACTOR"
- MODEL NUMBER - "YTH48XLS" (96048006500)"
- Part Number
- Part Description

## TABLE OF CONTENTS

SCHEMATIC .....	3
ELECTRICAL.....	4-5
CHASSIS .....	6-7
DRIVE.....	8-9
ENGINE.....	10-11
STEERING .....	12-13
MOWER DECK.....	14-15
MOWER LIFT.....	16
SEAT .....	17
DECALS.....	18

## COMMENT UTILISER CE MANUEL

Ce manuel a été dessiné pour fournir le client avec les moyens d'identification des pièces de détachées du tracteur quand il/elle a besoin de commander les pièces de rechange. Les illustrations ne peuvent pas représenter exactement le modèle que vous avez acheté. N'utilisez pas ce manuel comme un guide dans le montage et/ou démontage de votre tracteur. La visserie montrée est plus grande pour faciliter l'identification.

Chaque tracteur a un numéro de modèle particulier.

Le numéro de modèle du produit se trouvera sur l'aile, dessous le siège.

Lorsque vous commandez des pièces de rechange, donnez toujours les renseignements suivants:

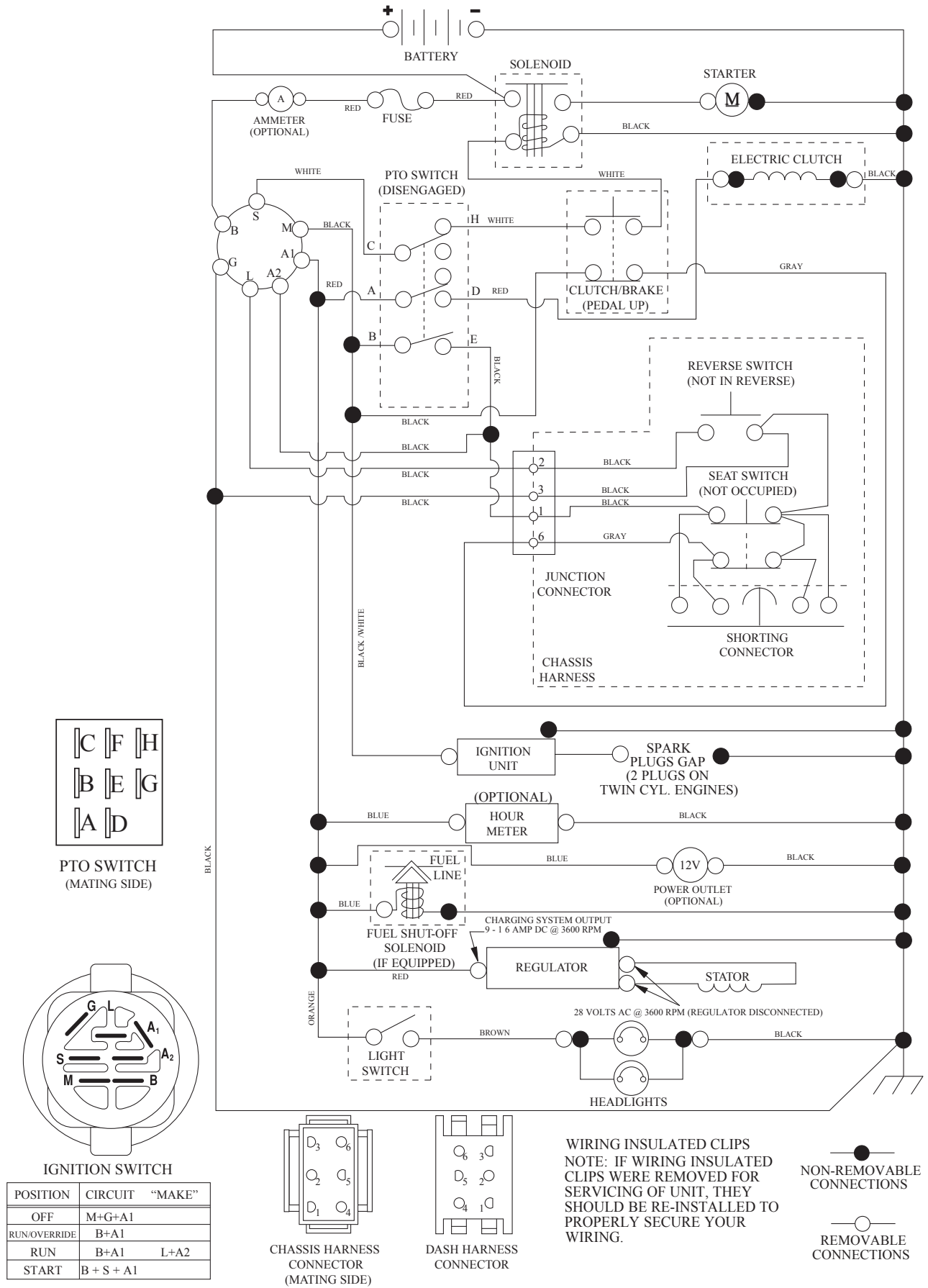
- Produit - "TRACTEUR"
- NUMÉRO DU MODÈLE - "YTH48XLS" (96048006500)"
- Numéro de la Pièce
- Description de la Pièce

## TABLE DE MATIERES

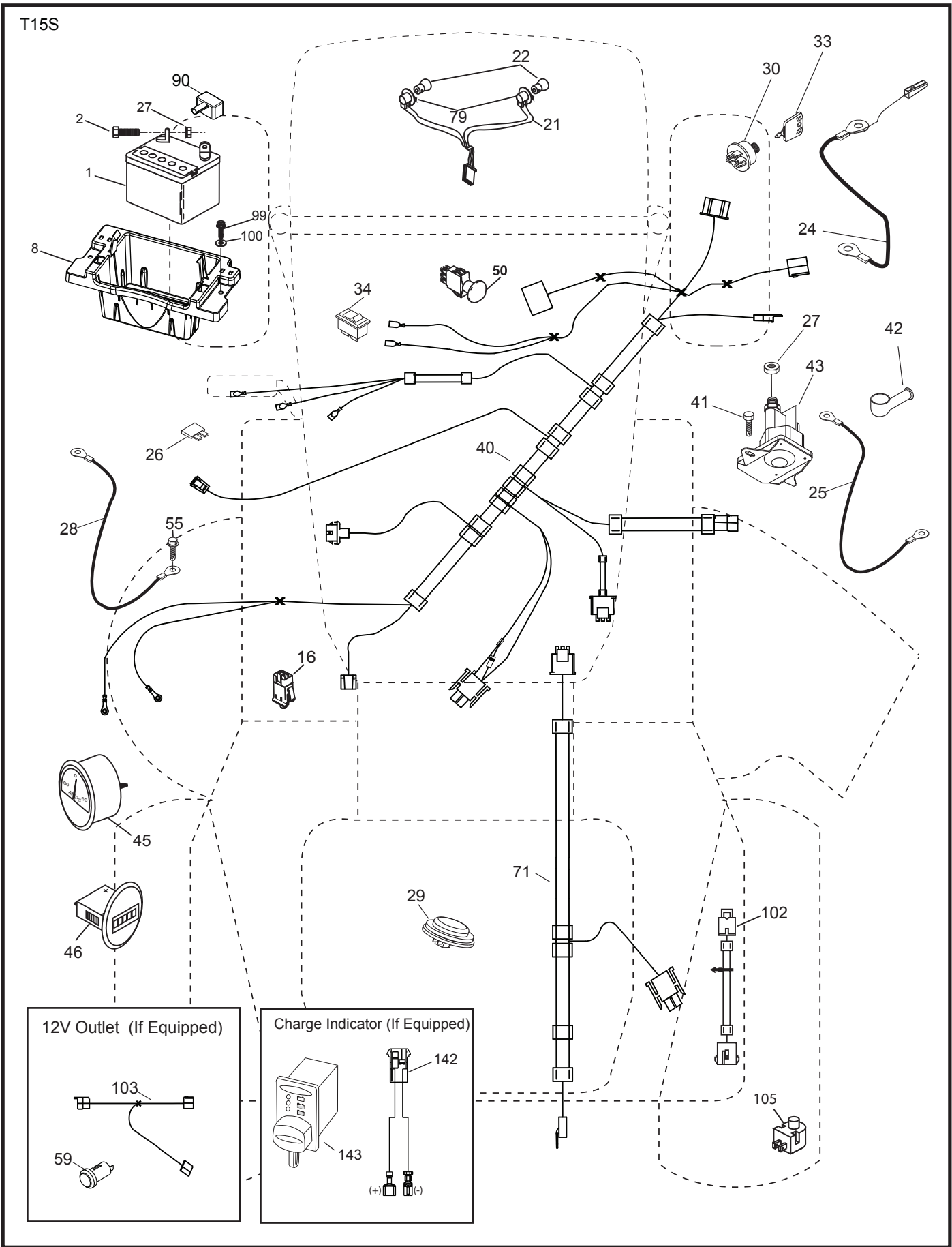
SCHÉMA.....	19
ELECTRIQUE .....	20-21
CHÂSSIS/ENCEINTES.....	22-23
ENTRÂÎNEMENT.....	24-25
MOTEUR .....	26-27
ENSEMBLE DE LA DIRECTION.....	28-29
CARTER DE TONDEUSE.....	30-31
LEVAGE DE LA TONDEUSE.....	32
ENSEMBLE DU SIÈGE .....	33
DECALCOMANIES.....	34

# TRACTOR - MODEL NO. YTH48XLS (96048006500), PRODUCT NO. 960 48 00-65 SCHEMATIC

SCH12



**TRACTOR - MODEL NO. YTH48XLS (96048006500), PRODUCT NO. 960 48 00-65  
ELECTRICAL**

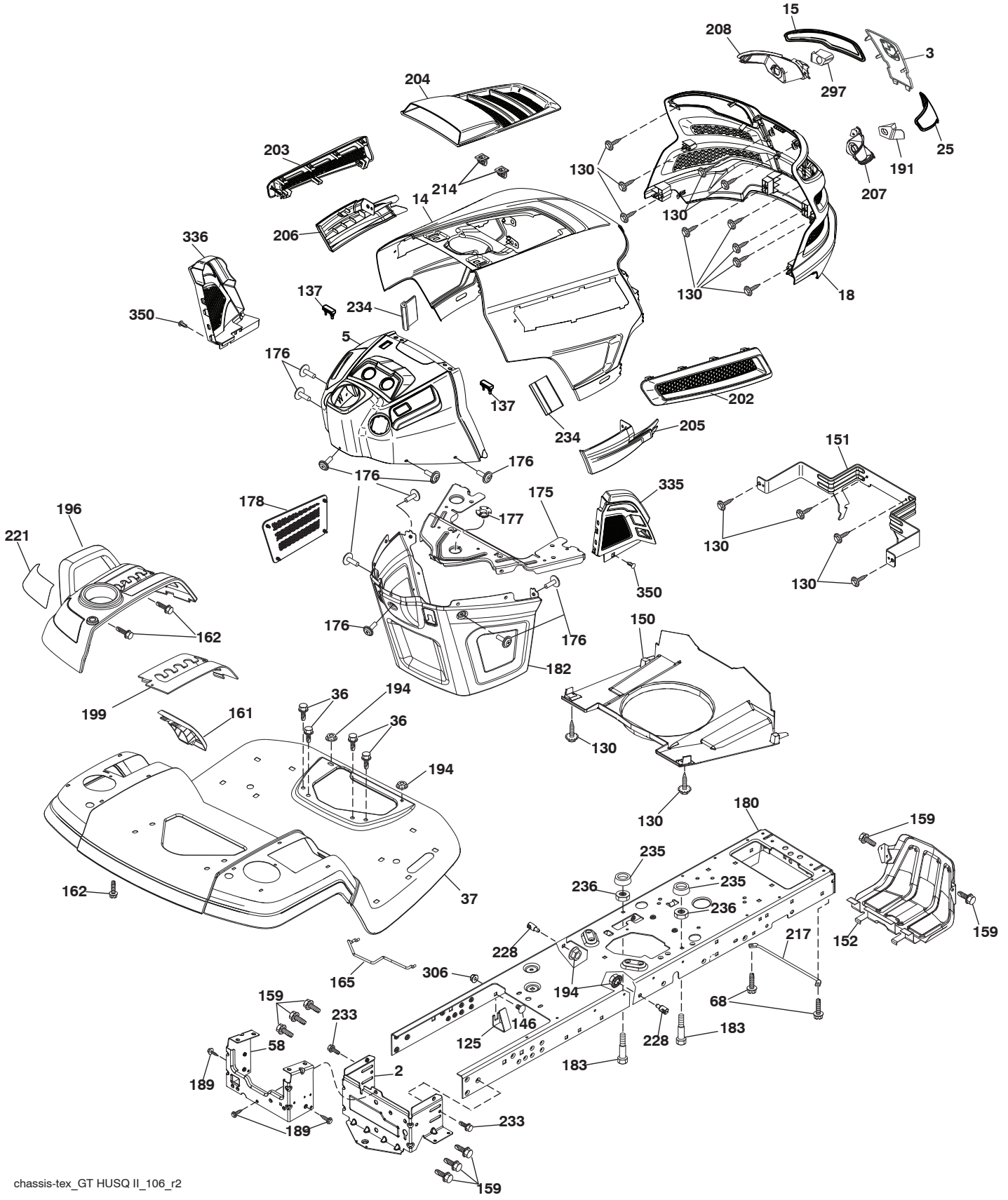


**TRACTOR - MODEL NO. YTH48XLS (96048006500), PRODUCT NO. 960 48 00-65  
ELECTRICAL**

<b>KEY NO.</b>	<b>PART NO.</b>	<b>DESCRIPTION</b>
1	532 16 34-65	Battery
2	874 76 04-12	Bolt Hex Head 1/4-20 x 3/4
8	587 20 51-01	Box Battery
16	532 17 61-38	Switch Interlock Push-In
21	532 40 02-52	Harness Socket Light w/4152J
22	532 00 41-52	Bulb Light
24	532 40 02-53	Cable Battery
25	532 41 28-95	Cable Starter
26	532 17 51-58	Fuse
27	873 51 04-00	Nut Keps Hex 1/4-20 unc
28	532 14 54-91	Cable, Ground
29	532 40 15-45	Switch, Seat
30	532 19 33-50	Switch, Ign
33	532 41 19-35	Key\Chain
34	532 11 07-12	Switch Light / Reset
40	532 40 21-67	Harness Ign. Dash
41	817 72 04-08	Screw Thd Cut 1/4-20 x 1/2
42	532 13 15-63	Cover, Terminal
43	532 19 25-07	Solenoid
45	587 55 39-03	Ammeter Gauge Round
46	587 55 40-03	Hourmeter
50	532 17 46-51	Switch PTO
55	817 06 05-12	Screw Thdrol 5/16-18 x 3/4 TYTT
59	532 40 03-03	Outlet 12-Volt
71	532 19 42-76	Harness Chassis
79	532 17 52-42	Socket Asm Bulb Twistlock
90	532 43 53-95	Cover Terminal
99	817 67 04-12	Screw Hexwsh Thdrol 1/4-20 x 3/4
100	819 09 14-16	Washer 9/32 x 7/8 x 16 Ga.
102	532 40 44-54	Harness Pigtail
103	532 42 17-47	Harness 12-Volt Pigtail
105	532 40 75-68	Switch Reverse TT Pedal Control

**NOTE:** All component dimensions given in U.S. inches  
1 inch = 25.4 mm

**TRACTOR - MODEL NO. YTH48XLS (96048006500), PRODUCT NO. 960 48 00-65  
CHASSIS**



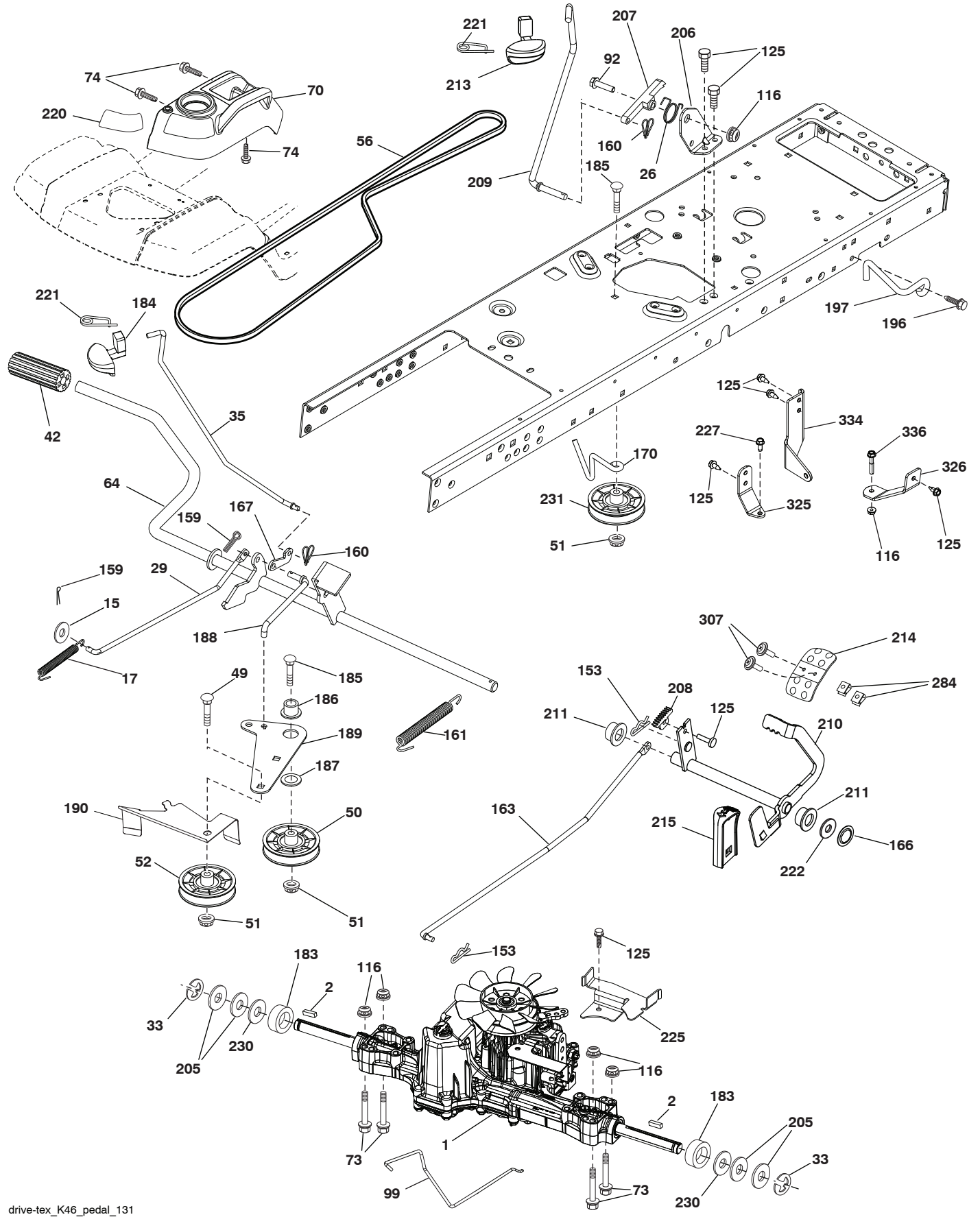
chassis-tex\_GT HUSQ II\_106\_r2

**TRACTOR - MODEL NO. YTH48XLS (96048006500), PRODUCT NO. 960 48 00-65  
CHASSIS**

<b>KEY NO.</b>	<b>PART NO.</b>	<b>DESCRIPTION</b>	<b>KEY NO.</b>	<b>PART NO.</b>	<b>DESCRIPTION</b>
2	532 41 22-82	Drawbar Lower	189	817 00 05-12	Screw 5/16-18 x 3/4
3	532 43 97-52	Applique	191	532 43 74-55	Insert Reflective RH
5	532 43 74-88	Dash	194	873 90 05-00	Nut Lock Hex Flange 5/16-18
14	532 44 11-77	Hood	196	532 43 96-74	Console Asm. Deck Lift
15	532 43 97-33	Lens LH	199	532 19 82-59	Plate Deck Lift
18	532 44 06-53	Grille	202	532 43 97-28	Vent Side Hood RH
25	532 44 33-85	Lens RH	203	532 43 97-27	Vent Side Hood LH
36	817 06 05-12	Screw 5/16-18 x 3/4	204	532 43 57-14	Vent Top Hood
37	532 44 12-08	Fender	205	532 43 97-30	Skirt Hood Side RH
58	532 41 22-81	Drawbar Upper	206	532 43 97-29	Skirt Hood Side LH
68	817 49 05-08	Screw Thdrol 5/16-18 x 1/2	207	532 43 97-34	Bezel RH
125	581 68 48-01	Clip Fuel Line	208	532 43 97-35	Bezel LH
130	532 41 63-58	Screw 10 x .750 BOS Thread	214	532 19 91-45	Clip Retainer Tinner
137	532 40 75-90	Bumper Dash	217	532 40 91-67	Rod Pivot
146	581 85 79-01	Bolt	221	532 19 89-09	Reflector LH
150	532 43 97-74	Air Duct	228	532 19 51-61	Stud Fastner
151	532 43 66-70	Bracket Pivot Hood	233	532 19 65-39	Bolt, Shoulder
152	532 43 98-70	Shield Browning	234	532 40 47-42	Bumper Hood
159	817 00 06-12	Screw 3/8-16 x 3/4	235	532 40 61-29	Spacer Fender
161	532 43 99-29	Window, Fuel	236	873 93 05-00	Nut Lock 5/16-18 unc
162	532 14 24-32	Screw Hex Wsh 1/4 x 1/2 unc	297	532 43 74-56	Insert Reflective LH
165	532 19 43-30	Support Tank Rear	306	873 90 06-00	Nut Lock
175	532 19 63-04	Crossmember	335	532 44 82-04	Cover RH Lower Close Out
176	532 40 07-76	Screw 10-24 x 5/8	336	532 44 53-09	Cover LH Lower Close Out
177	532 19 52-28	Bushing Steering	350	532 44 51-43	Clip X-mas Tree
178	532 19 97-82	Cargo Net Asm.	- -	532 43 18-82	Kit Guard Brush
180	532 44 55-59	Chassis			
182	532 40 68-59	Dash Lower			
183	874 52 05-20	Bolt 5/16-18 x1-1/4			

**NOTE:** All component dimensions given in U.S. inches  
1 inch = 25.4 mm

**TRACTOR - MODEL NO. YTH48XLS (96048006500), PRODUCT NO. 960 48 00-65 DRIVE**



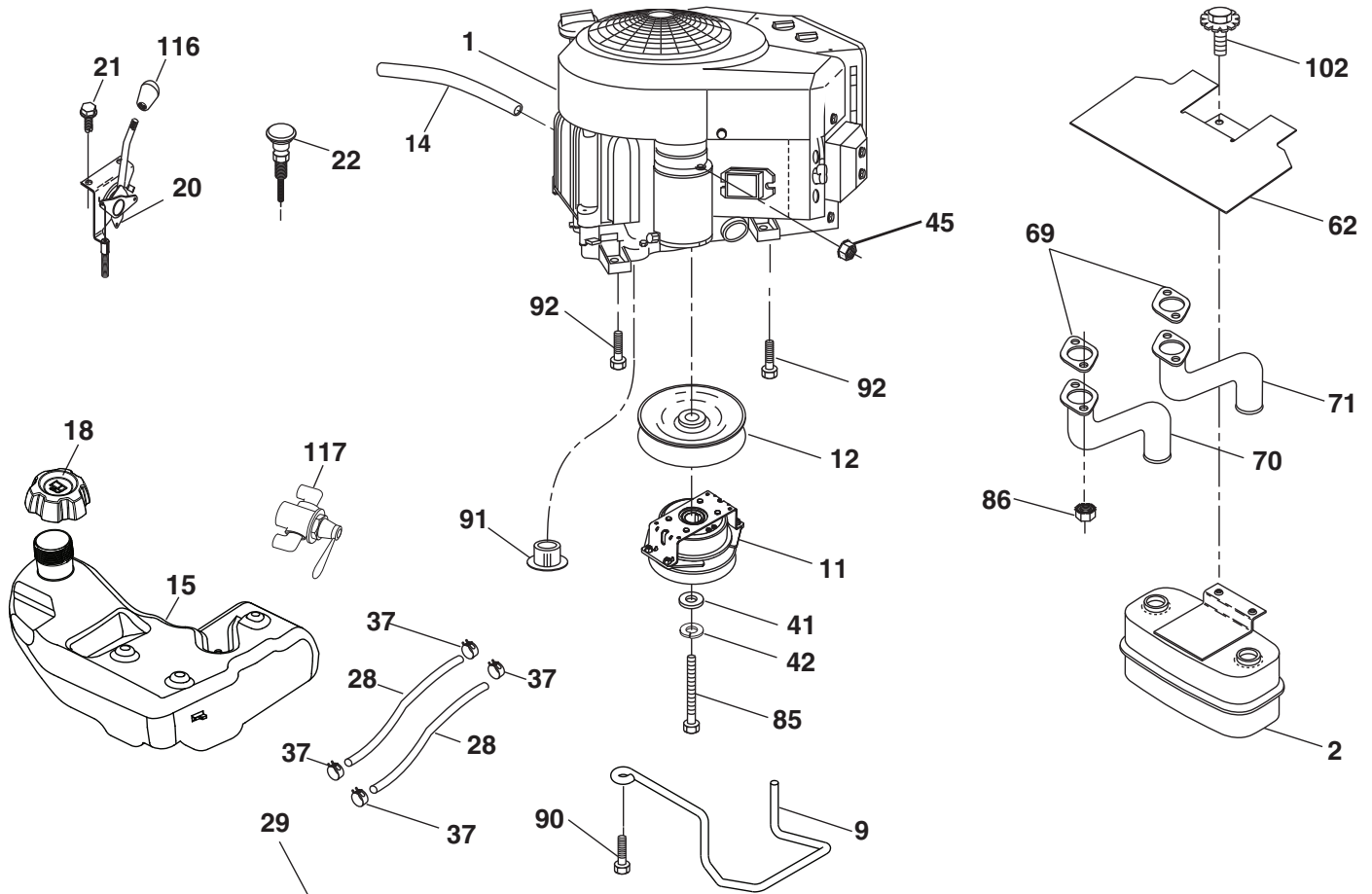


**TRACTOR - MODEL NO. YTH48XLS (96048006500), PRODUCT NO. 960 48 00-65  
DRIVE**

<b>KEY NO.</b>	<b>PART NO.</b>	<b>DESCRIPTION</b>	<b>KEY NO.</b>	<b>PART NO.</b>	<b>DESCRIPTION</b>
1	-----	Transaxle, TUFFTORQ K46CR (501051401) (Order parts from transaxle manufacturer.)	185	872 11 06-22	Bolt Rdhd Sqnk 3/8-16 x 2-3/4 Gr. 5
2	532 12 35-83	Key	186	532 19 43-21	Spacer Retainer
15	819 13 13-16	Washer 13/32 x 13/16 x 16 Ga.	187	819 13 32-10	Washer
17	532 41 36-78	Spring, Brake	188	532 19 43-23	Link Clutch Ground Drive
26	532 19 96-79	Spring Return Cruise	189	532 19 43-17	Bellcrank Ground Drive
29	532 40 38-06	Rod, Brake	190	532 19 43-18	Keeper Bellcrank Ground Drive
33	812 00 00-01	Ring E	196	817 00 06-16	Screw 3/8-16 x 1
35	583 86 45-01	Rod, Brake, Park	197	585 65 86-01	Bracket Clutch Anti-Rotation
42	532 12 48-72	Cover, Foot Pedal	205	532 12 17-48	Washer
49	872 11 06-14	Bolt	206	532 44 85-96	Bracket Mount Latch Cruise
50	532 19 43-27	Pulley Idler Flat	207	532 19 78-68	Latch Control Cruise
51	873 90 06-00	Lock Nut 3/8-16	208	532 19 78-69	Gear Sector Control Cruise
52	532 19 43-26	Idler V-Groove	209	532 19 95-92	Rod Control Cruise
56	532 13 09-69	V-Belt, Drive	210	532 19 78-60	Rocker Asm. Pedal Control
64	532 19 78-65	Shaft Asm. Pedal Brake Control	211	532 12 01-83	Bearing Nylon
70	532 43 96-61	Console Asm	213	532 40 31-19	Knob Control Cruise
73	874 49 05-40	Bolt 5/16-18 x 2-1/2 Gr. 5	214	532 41 68-63	Pedal Forward
74	532 14 24-32	Screw Hex Wsh Hi-Lo 1/4 x 1/2 unc	215	532 40 17-23	Pedal Reverse
92	874 76 05-20	Bolt Fin Hex 5/16-18 unc x 1.25	220	532 19 89-08	Reflector RH
99	532 41 57-42	Rod Spring Bypass	221	532 40 31-87	Retainer Spring Clip Handle
116	873 90 05-00	Nut Lock Hex Flange 5/16-18	222	879 21 20-10	Washer 21/32 x 1-1/4 x 10 Ga.
125	817 00 05-12	Screw 5/16-18 x 3/4	225	532 40 33-19	Keeper Belt Trans.
153	532 12 47-88	Retainer Spring	227	817 49 05-12	Screw 5/16-18 x 3/4
159	876 02 04-12	Pin Cotter 1/8 x 3/4	230	532 18 89-67	Washer Hardened
160	532 16 94-84	Retainer Clip	231	532 40 72-87	Idler V-Groove
161	532 10 57-09	Spring, Return, Clutch	284	532 41 76-93	Nut UCHNL 1/4-20 550DP .350 PNL
163	532 44 82-75	Rod Pedal Control	307	874 18 04-12	Screw Mach. CR. 1/4-20 x 3/4
166	532 42 91-64	Nut Push	325	586 43 12-02	Bracket
167	532 40 52-57	Latch Brake Parking	326	586 00 11-02	Bracket
170	532 41 34-30	Keeper Belt Centerspan	334	585 88 22-02	Bracket
183	532 13 70-57	Spacer Split	336	587 25 96-01	Bolt
184	532 44 14-55	Handle Parking Brake			

**NOTE:** All component dimensions given in U.S. inches  
1 inch = 25.4 mm

**TRACTOR - MODEL NO. YTH48XLS (96048006500), PRODUCT NO. 960 48 00-65  
ENGINE**



**SPARK ARRESTER KIT**

engine-tex\_Kawa-2cyl\_45\_r1

**TRACTOR - MODEL NO. YTH48XLS (96048006500), PRODUCT NO. 960 48 00-65  
ENGINE**

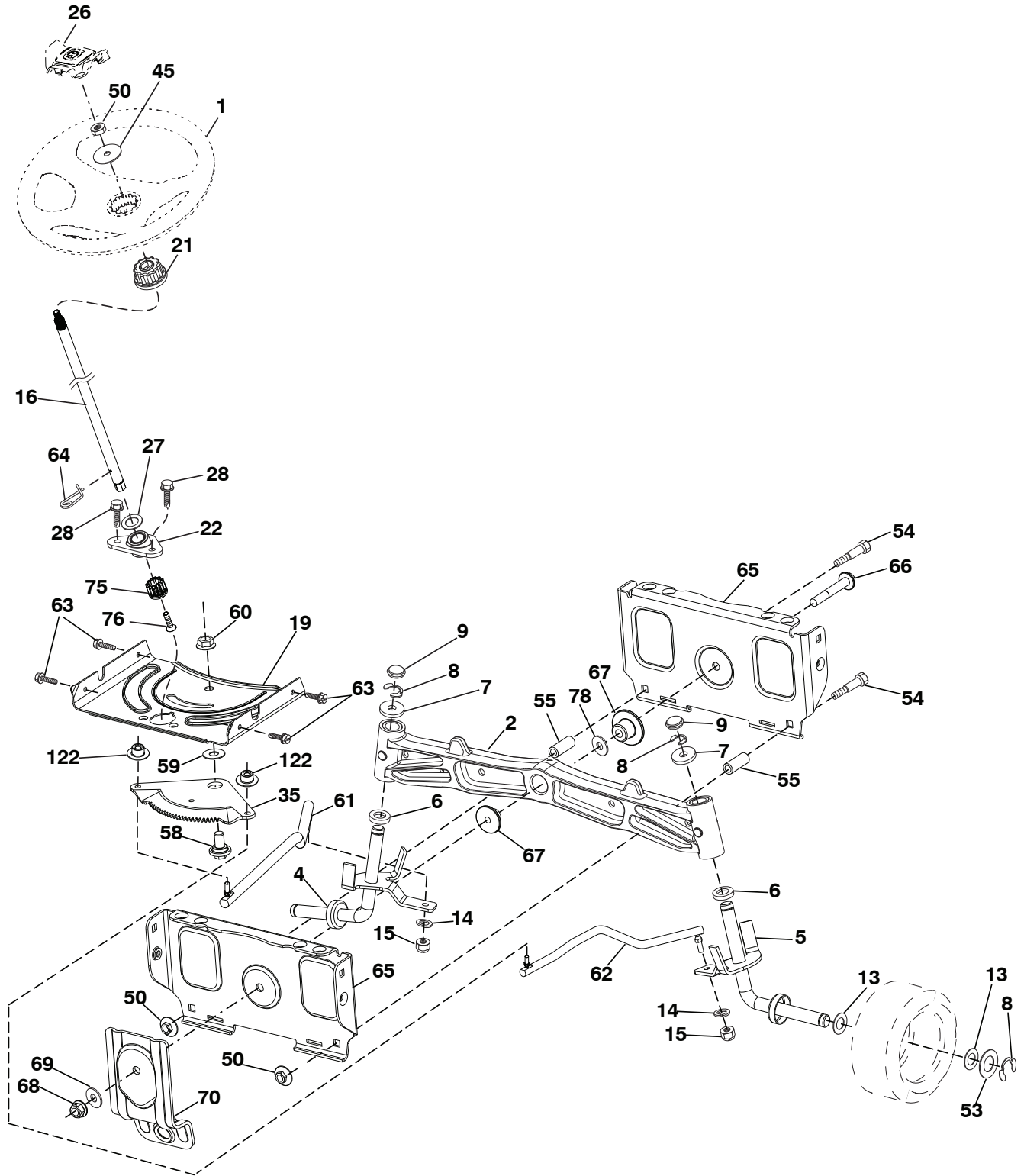
<b>KEY NO.</b>	<b>PART NO.</b>	<b>DESCRIPTION</b>
1	-----	Engine Kawasaki No. FR730V-AS12 (445364) (Order parts from engine manufacturer.)
2	532 44 59-62	Muffler
9	584 90 80-01	Keeper Belt Engine
11	587 24 16-01	Clutch
12	532 40 50-97	Pulley Engine
14	532 14 84-56	Tube Drain Oil Easy
15	532 42 28-04	Tank Fuel
18	532 43 96-45	Cap Asm
20	532 42 43-41	Control Throttle
21	532 41 63-58	Screw #10 x .750 BOS Thread
22	532 19 15-96	Control Choke
28	532 14 21-58	Fuel Line
29	532 13 71-80	Spark Arrester Kit
37	532 12 34-87	Clamp Hose
41	532 12 61-97	Washer 1-1/2 OD x 15/32 ID x .250
42	810 04 07-00	Washer Lock 7/16
45	873 51 04-00	Nut Keps Hex 1/4-20 unc
62	532 43 40-17	Heat Shield
69	532 17 81-51	Gasket
70	583 95 56-01	Tube Exhaust LH
71	583 95 57-01	Exhaust Tube RH
85	532 17 99-53	Bolt Hex 7/16-20 x 3.75
86	532 18 43-62	Nut Hex Flg. Toplock M8-1.25
90	817 00 06-16	Screw 3/8-16 x 1
91	532 18 74-95	Bushing
92	817 12 06-16	Screw 3/8-16 x 1
102	817 00 05-12	Screw 5/16-18 x 3/4
116	539 13 26-24	Knob Soft Touch
117	532 42 08-28	Valve Fuel Reserve

**NOTE:** All component dimensions given in U.S. inches  
1 inch = 25.4 mm

For engine service and replacement parts, call the toll free number for your engine manufacturer listed below:

Kawasaki 1-949-460-5688

**TRACTOR - MODEL NO. YTH48XLS (96048006500), PRODUCT NO. 960 48 00-65**  
**STEERING ASSEMBLY**



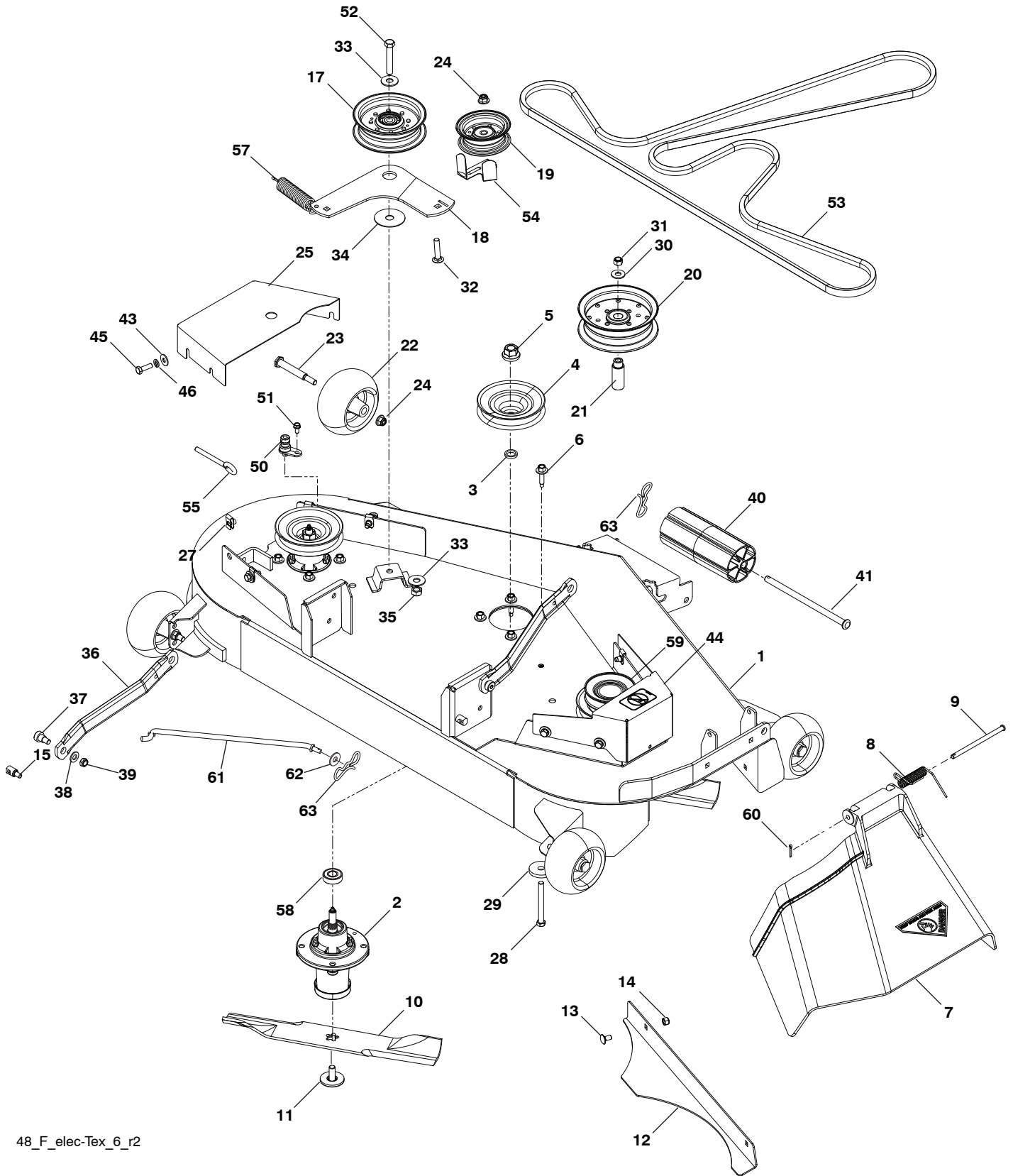
steering-tex\_HUSQSR\_63

**TRACTOR - MODEL NO. YTH48XLS (96048006500), PRODUCT NO. 960 48 00-65  
STEERING ASSEMBLY**

<b>KEY NO.</b>	<b>PART NO.</b>	<b>DESCRIPTION</b>
1	532 43 97-40	Wheel, Steering
2	532 19 59-68	Axle Asm., Front
4	532 40 30-89	Spindle Asm., LH
5	532 40 30-90	Spindle Asm., RH
6	532 12 49-31	Bearing, Race Thrust Harden
7	532 12 17-48	Washer 25/32 x 1-5/8 x 16 Ga.
8	812 00 00-29	Ring, Klip #T5304-75
9	532 12 12-32	Cap, Spindle
13	532 12 17-49	Washer 25/32 x 1-1/4 x 16 Ga.
14	810 04 06-00	Washer, Lock Hvy Hlcl Spr 3/8
15	873 54 06-00	Nut, Crown Lock 3/8-24 unf
16	587 01 60-02	Steering Shaft
19	532 19 47-29	Plate Steering
21	586 84 02-01	Adapter Wheel Steering
22	585 02 98-02	Bearing
26	532 43 97-43	Insert, Wheel Steering
27	819 21 16-16	Washer
28	817 00 06-12	Screw 3/8-16 x 3/4
35	532 19 47-32	Gear, Sector Plate
45	587 01 64-01	Washer 3/8 ID 2-3/8 OD 12 Ga. PLTD
50	873 90 06-00	Nut Lock Flg 3/8-16 unc
53	532 18 89-67	Washer Hardened .793 x 1.637 x .060
54	874 76 06-36	Bolt Hex 3/8-16 x 2-1/4
55	532 41 47-36	Spacer Axle Brace
58	532 19 47-47	Bolt Shoulder Sector Pivot CFM
59	532 19 47-48	Washer Thrust Sector Steering
60	873 97 10-00	Nut Flange Lock 5/8-11
61	532 19 47-40	Draglink LH
62	532 19 47-41	Draglink, RH
63	817 00 05-12	Screw 5/16-18 x 3/4
64	532 19 98-49	Retainer Clip Spring Steering
65	532 19 47-34	Brace Axle Front
66	871 02 07-48	Bolt Hex Fghd 7/16-14 x 3 Serr
67	532 19 47-37	Bushing Front Axle
68	873 90 07-00	Nut Lock Flange 7/16-14 Gr. 5
69	532 19 91-62	Washer 1.5 x .505 x .118
70	532 19 61-97	Bracket Deck Susp. Front
75	580 68 37-01	Pinion
76	580 68 36-01	Screw Head Sock
78	532 05 70-79	Washer Thrust
122	532 44 49-62	Cap Gear Sector

**NOTE:** All component dimensions given in U.S. inches  
1 inch = 25.4 mm

**TRACTOR - MODEL NO. YTH48XLS (96048006500), PRODUCT NO. 960 48 00-65  
MOWER DECK**



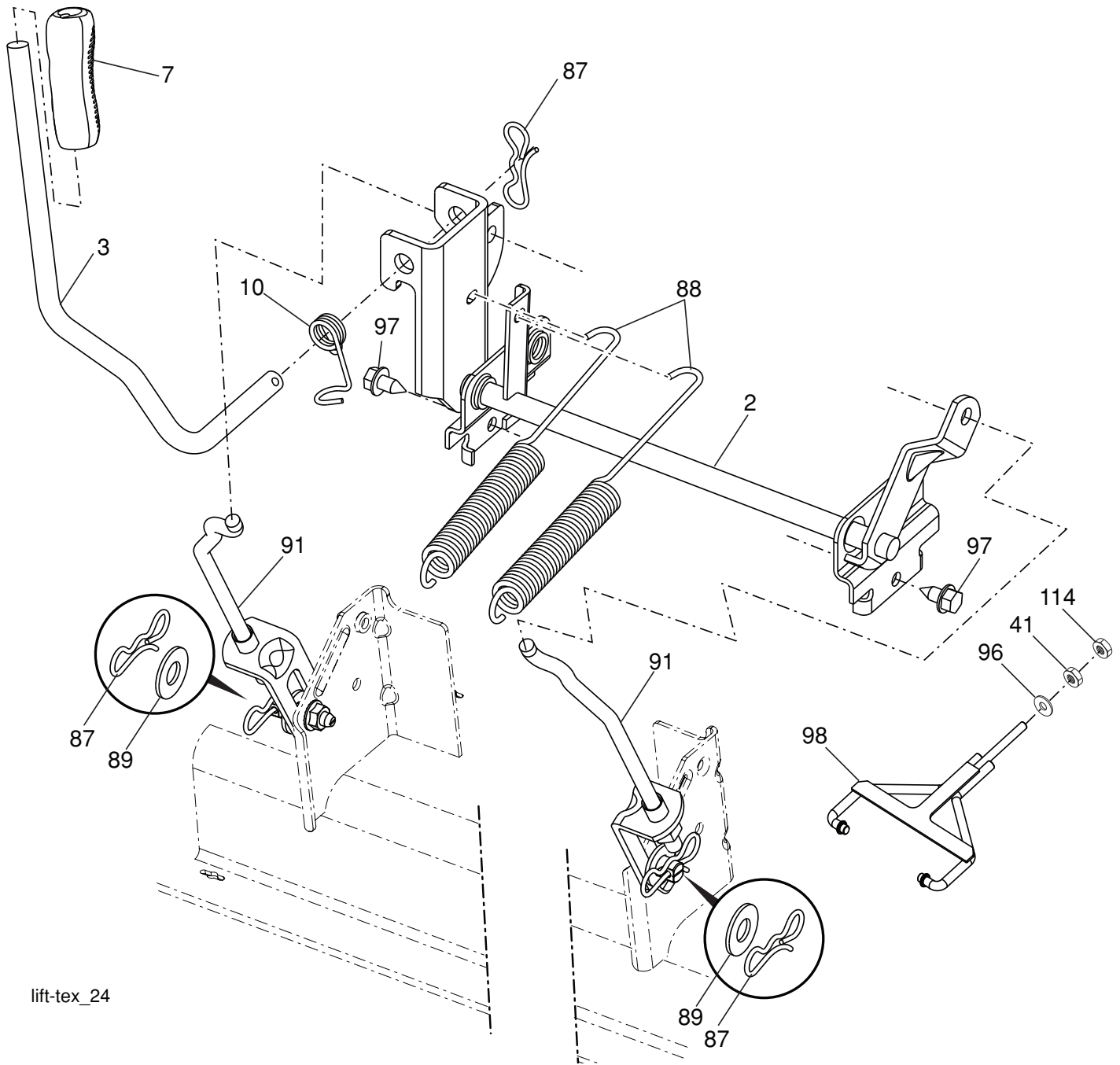
48\_F\_elec-TEX\_6\_r2

**TRACTOR - MODEL NO. YTH48XLS (96048006500), PRODUCT NO. 960 48 00-65  
MOWER DECK**

KEY NO.	PART NO.	DESCRIPTION	KEY NO.	PART NO.	DESCRIPTION
1	594 74 20-01	Deck	36	532 19 51-85	Arm, Susp., Rear
2	539 11 21-70	Housing Assembly	37	539 11 36-21	Sb 3/8-16 x 3/8 Skt Hd
3	532 18 76-90	Washer-Spacer	38	819 13 13-16	Washer 13/32 x 13/16 x 16 Ga.
4	532 17 43-75	Pulley, Mandrel	39	539 20 02-82	Nut, 3/8-16 Hex Jam Nyloc
5	532 40 02-34	Nut Flange Lock Top	40	532 17 60-66	Roller, Nose, 48"
6	532 17 39-84	Screw Thdrol	41	532 17 91-27	Rod, Roller, Nose, Narrow
7	539 11 07-32	Discharge Chute, 48"	43	819 12 14-14	Washer 3/8 x 7/8 x 14 Ga.
8	539 11 07-35	Spring - Torsion	44	575 96 72-02	Shield, Belt Rh
9	539 11 07-36	Pin, Clevis 5/16 x 5.19	45	874 78 05-16	Bolt Fin Hex 5/16-18 unc x 1
10	539 11 34-25	Blade, 16-1/4"	46	810 03 05-00	Wash 5/16 Slw
11	532 19 30-03	Bolt Washer Assy 7/16-20	50	532 41 55-98	Washout Port
12	539 11 34-26	Confinement Plate	51	817 49 04-08	Screw Hexwash Thdrol 1/4-20 x 1/2
13	872 11 05-05	Rhsnb 5/16-18 x 5/8 Gr 5	52	874 78 07-40	Hcs 7/16-14 x 2-1/2 Gr 5
14	873 80 05-00	Nut Lock Hex w/ Ins. 5/16-18 unc	53	574 84 56-02	Belt, Deck
15	532 19 51-61	Stud, Fasten w/ Anti- Rotate	54	532 14 10-43	Guard, Belt
17	532 19 61-04	Pulley, Idler Spec. Hub	55	539 11 55-74	Eyebolt 5/16 x 3-1/2
18	574 82 71-01	Arm Idler	57	539 10 68-50	Spring
19	532 17 79-68	Pulley, Idler	58	532 11 04-85	Ball Bearing
20	539 13 27-28	Pulley, Idler	59	575 35 29-01	Pulley
21	575 22 45-01	Idler Bushing	60	532 16 94-84	Clip Retainer Dia. 290
22	532 13 39-57	Wheel, Gauge	61	532 40 48-51	Rod Anti Sway
23	532 19 34-06	Bolt Shoulder 3/8-16 x 3-5/8	62	819 13 13-12	Washer 13/32 x 13/16 x 12 Ga.
24	521 99 65-01	Nut 3/8-16 Hex Flg Nyloc	63	532 19 42-08	Pin Cotter 5/16
25	575 22 47-02	Shield, Belt LH	--	594 74 20-01	Service Deck
27	539 10 47-63	Retainer 5/16c U Type	--	965 89 40-03	Kit Mulch
28	539 10 82-71	Hcs 3/8-16 x 3-1/2 Gr 5			
29	539 10 65-04	Heavy Washer			
30	819 14 16-14	Washer, 3/8 Flat Std			
31	539 97 69-79	Nut 3/8-16 Hex Nyloc			
32	539 99 09-23	Rhsnb 3/8-16 x 1-3/4 Gr 5			
33	539 10 48-64	Washer, 7/16 Flat			
34	532 17 85-15	Washer, Flat Hardened			
35	873 90 07-00	Nut 7/16-14 G5			

**NOTE:** All component dimensions given in U.S. inches  
1 inch = 25.4 mm

**TRACTOR - MODEL NO. YTH48XLS (96048006500), PRODUCT NO. 960 48 00-65  
MOWER LIFT**



lift-tex\_24

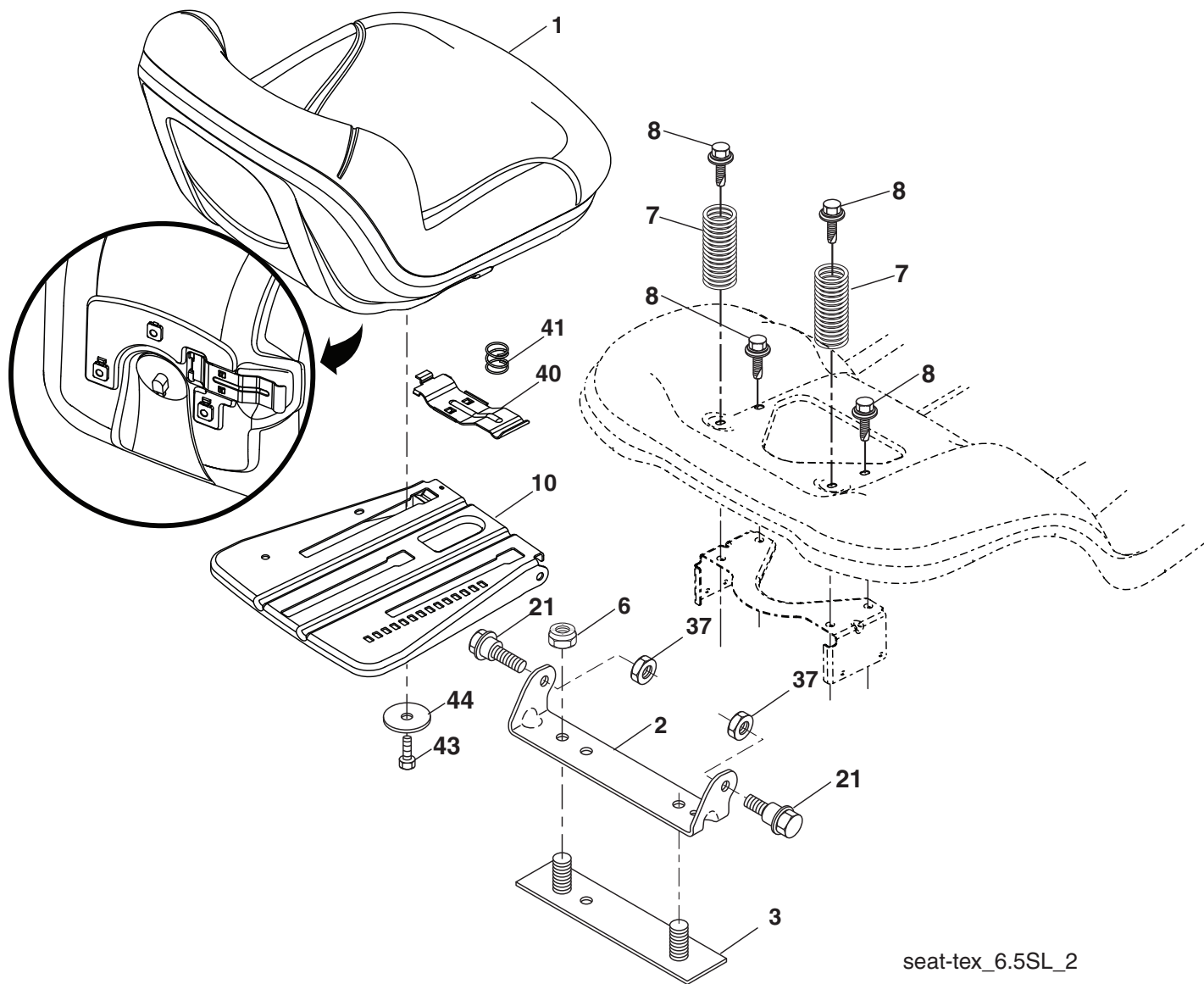
KEY NO.	PART NO.	DESCRIPTION
2	532 42 20-27	Shaft Asm., Lift
3	532 19 52-30	Lever Asm., Lift RH
7	580 96 23-01	Grip, Lever
10	532 19 63-14	Spring Torsion
41	532 17 59-94	Nut Lift Link
87	532 19 42-09	Pin Cotter 7/16 Bow Tie Lock
88	532 41 07-10	Spring Lift Assist
89	819 19 19-12	Washer Clear Zinc

KEY NO.	PART NO.	DESCRIPTION
91	532 40 34-07	Link Lift Susp Mower Rear
96	532 19 52-63	Bushing Spherical
97	817 00 06-12	Screw 3/8-16 x 3/4
98	574 82 25-01	Link Asm. Susp. Front Mower
114	873 36 07-00	Nut Jam 7/16-20

**NOTE:** All component dimensions given in U.S. inches  
1 inch = 25.4 mm



**TRACTOR - MODEL NO. YTH48XLS (96048006500), PRODUCT NO. 960 48 00-65  
SEAT ASSEMBLY**

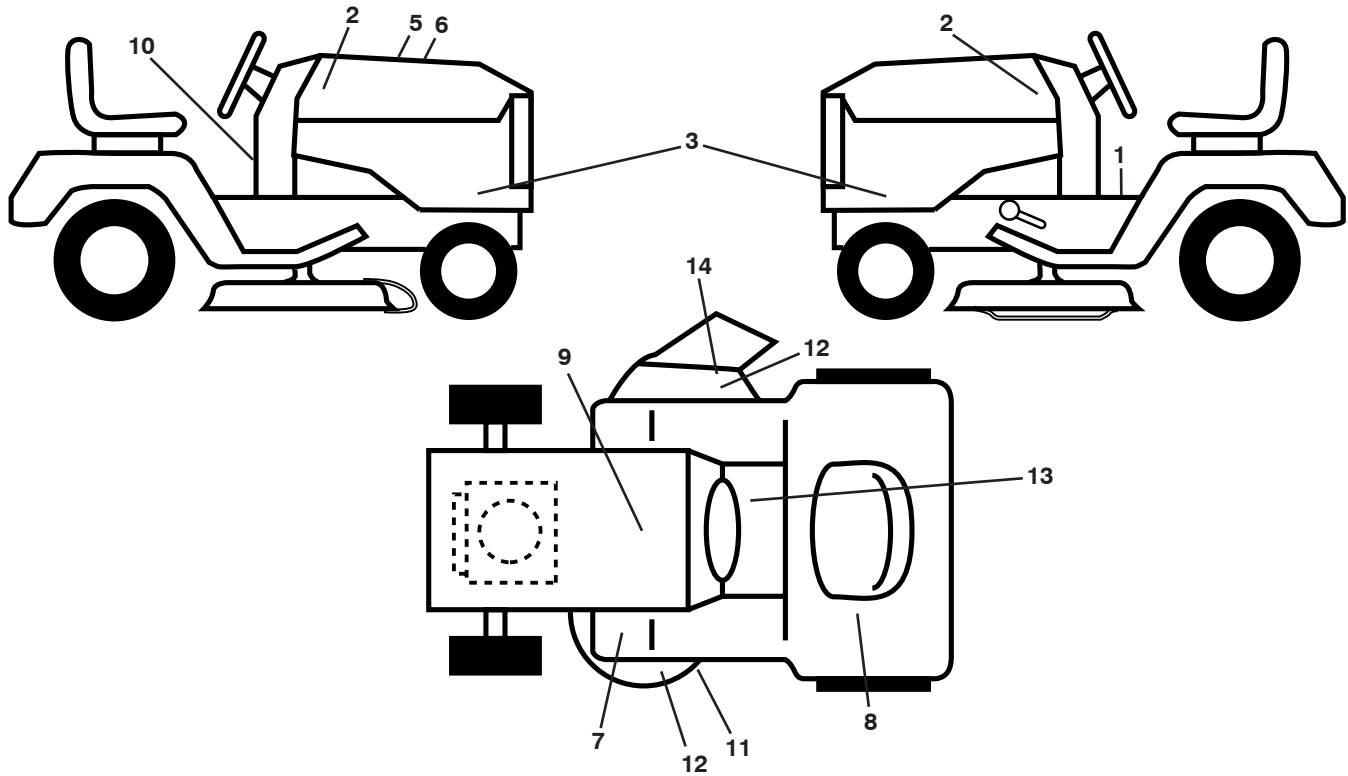


KEY NO.	PART NO.	DESCRIPTION
1	532 43 98-22	Seat
2	532 18 01-66	Bracket Pivot Fender
3	532 14 06-75	Strap, Asm Fender
6	873 80 06-00	Nut, Lock W/Ins. 3/8-16 unc
7	532 12 41-81	Spring, Seat Cprsn
8	532 17 18-77	Bolt 5/16-18 unc x 3/4 w/Sems
10	532 19 69-77	Pan, Seat
21	532 17 18-52	Bolt, Shoulder 5/16-18

KEY NO.	PART NO.	DESCRIPTION
37	873 80 05-00	Nut, Lock 5/16-18 unc
40	532 43 98-71	Handle Slide Seat
41	532 19 82-00	Spring Latch Seat
43	874 76 06-12	Bolt Fin Hex 3/8-16 unc x 3/4
44	819 13 38-12	Washer 13/32 x 2-3/8 x 12 Ga.

**NOTE:** All component dimensions given in U.S. inches  
1 inch = 25.4 mm

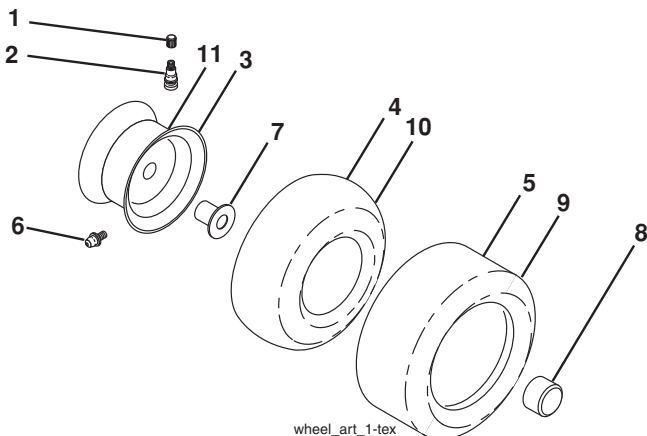
**TRACTOR - MODEL NO. YTH48XLS (96048006500), PRODUCT NO. 960 48 00-65  
DECALS**



KEY NO.	PART NO.	DESCRIPTION
1	581 57 90-01	Decal, Operators Warning
2	581 62 73-01	Decal, Hood Badge
3	585 90 33-01	Decal, Panel SD
5	532 42 38-29	Decal, Customer Respons.
6	585 79 48-01	Decal, Replacement
7	532 41 86-00	Decal, Pedal Husq. Crown
8	585 38 55-01	Decal, Selector Fuel
9	532 14 50-05	Decal, Battery Dnge/Poi
10	581 57 99-01	Decal, Warning Spark Arrestor

KEY NO.	PART NO.	DESCRIPTION
11	581 58 00-02	Decal, Mower Sch.
12	581 72 43-01	Decal, No Step
13	581 57 86-01	Decal, Pedals
14	584 90 46-01	Decal, Deflect. Warning
--	581 72 48-01	Decal, Bypass
--	532 43 98-82	Pad, Footrest, LH
--	532 43 98-81	Pad, Footrest, RH
--	585 91 32-24	Manual, Operator's (English/French)
--	585 91 32-26	Manual, Parts (English/French)

**WHEELS AND TIRES**



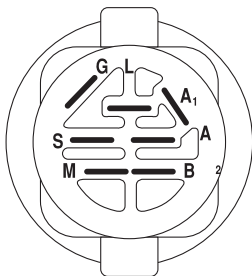
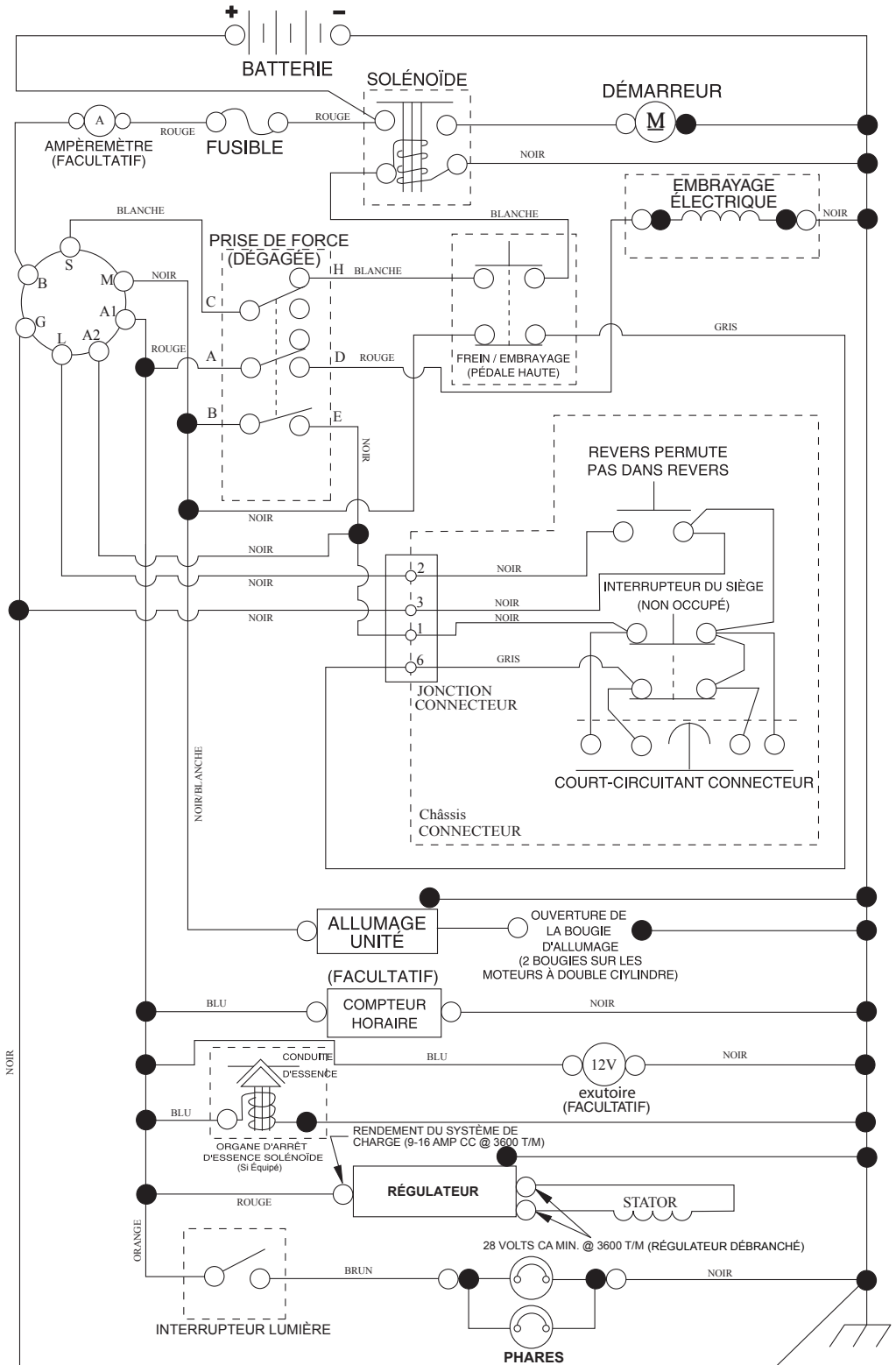
KEY NO.	PART NO.	DESCRIPTION
1	532 05 91-92	Cap Valve Tire
2	532 06 51-39	Stem Valve
3	532 18 18-39	Rim Front Service
4	532 00 81-34	Tube Front (Service Item Only)
5	532 16 10-24	Tire Front 16 x 6.5-8
6	532 12 49-57	Fitting Grease (Front Wheel Only)
7	532 12 49-59	Bearing Flange (Front Wheel Only)
8	532 17 50-39	Cap Axle Blk
9	532 17 04-56	Tire Rear 20 x 10-8
10	532 12 49-26	Tube Rear (Service Item Only)
11	532 13 83-37	Rim Asm 8" rear Service
--	532 14 43-34	Sealant, Tire (10 oz. Tube)

**NOTE:** All component dimensions given in U.S. inches  
1 inch = 25.4 mm

# TRACTEUR - NO. DE MODÈLE YTH48XLS (96048006500), NO. DE PROD. 960 48 00-65

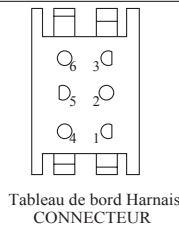
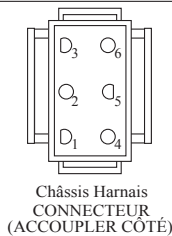
## SCHEMA

SCH12-F



### CONTACTEUR D'ALLUMAGE

POSITION	CIRCUIT "FAITS"
ARRÊT	M + G + A1
MARCHE/ ALLUMAGE	B + A1
MARCHE	B + A1 L+A2
DÉMARRAGE	B + S + A1



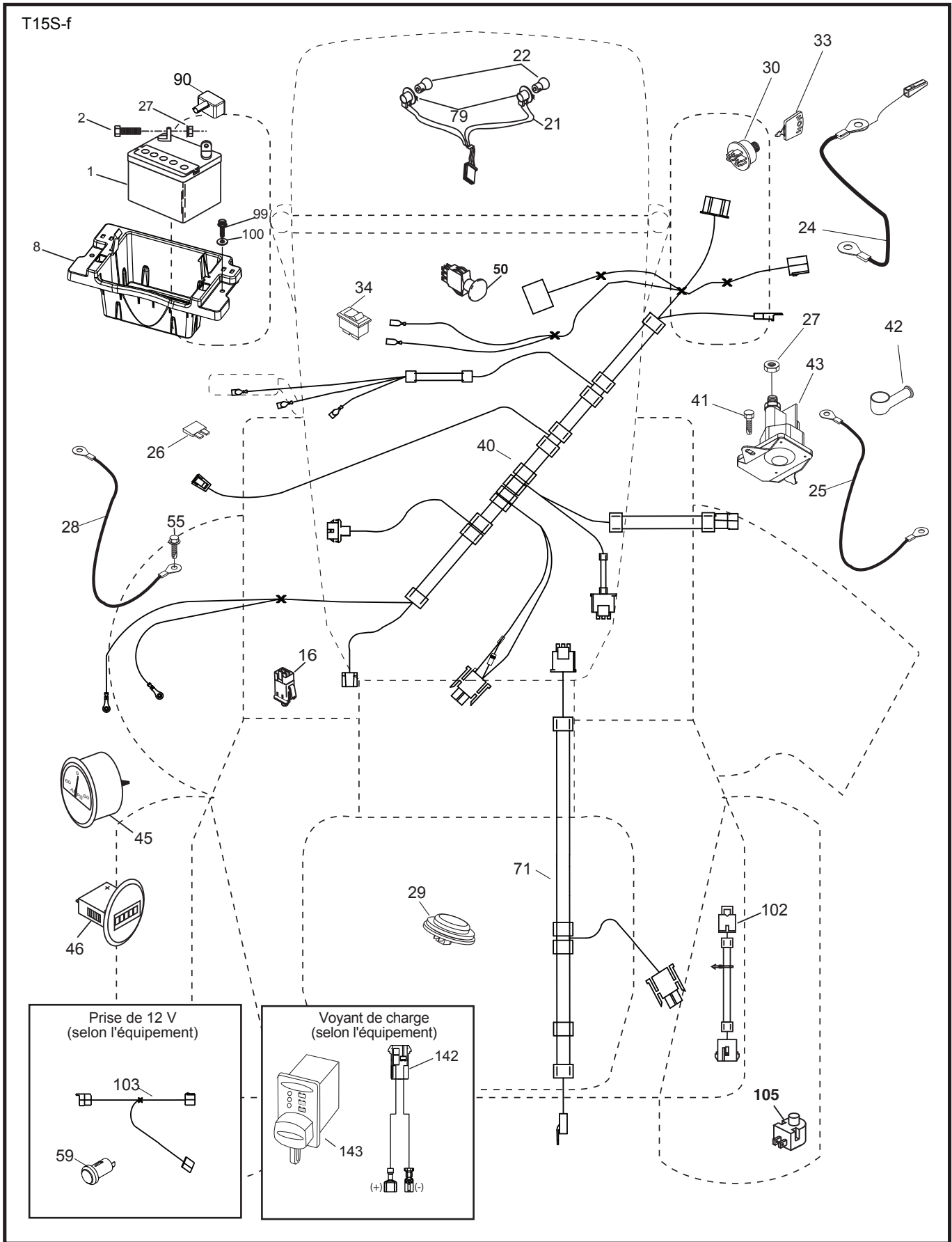
### PINCES ISOLÉES

REMARQUE: SI LES PINCES ISOLÉES ONT ÉTÉ ENLEVÉES POUR L'ENTRETIEN DU MODÈLE, ELLES DOIVENT ÊTRE REMISES EN PLACE POUR ASSURER LE BON FONCTIONNEMENT DU CÂBLAGE.

CONNECTEURS  
NON-AMOVIBLES

CONNECTEURS  
AMOVIBLES

**TRACTEUR - NO. DE MODÈLE YTH48XLS (96048006500), NO. DE PROD. 960 48 00-65**  
**ÉLECTRIQUE**

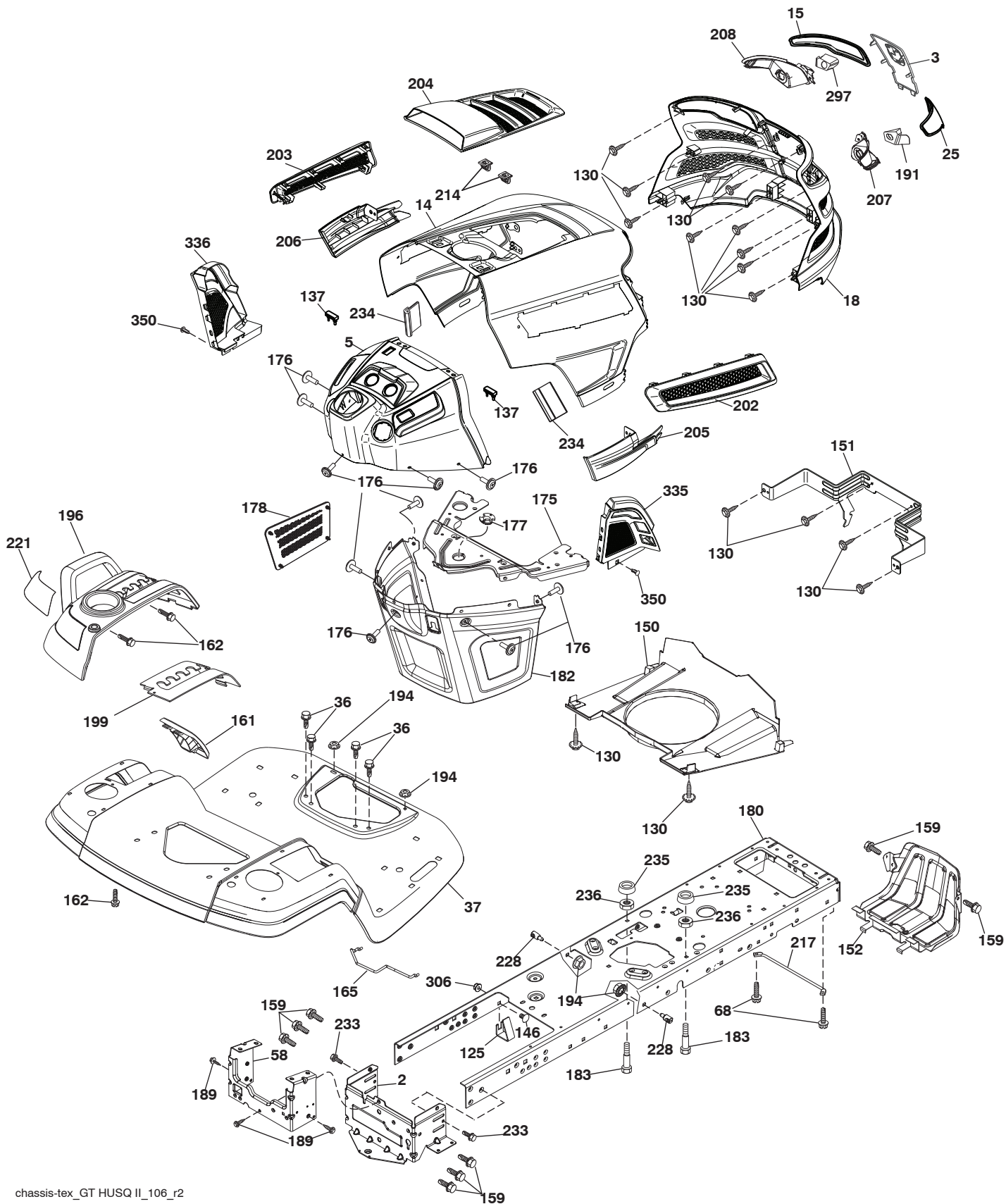


**TRACTEUR - NO. DE MODÈLE YTH48XLS (96048006500), NO. DE PROD. 960 48 00-65  
ÉLECTRIQUE**

<b>NO. DE RÉF.</b>	<b>NO DE PIÈCE</b>	<b>DESCRIPTION</b>
1	532 16 34-65	Batterie
2	874 76 04-12	Boulon H 1/4-20 unc x 3/4
8	587 20 51-01	Bac de batterie
16	532 17 61-38	Interrupteur de verrouillage pressé
21	532 40 02-52	Harnais des prises de courant des phares
22	532 00 41-52	Ampoule
24	532 40 02-53	Câble de batterie
25	532 41 28-95	Câble de démarreur
26	532 17 51-58	Fusible
27	873 51 04-00	Écrou H 1/4-20 unc
28	532 14 54-91	Câble de masse
29	532 40 15-45	Interrupteur
30	532 19 33-50	Contacteur d'allumage
33	532 41 19-35	Clé de contact
34	532 11 07-12	L'interrupteur des phares
40	532 40 21-67	Harnais des câbles d'allumage
41	817 72 04-08	Vis 1/4-20 x 1/2
42	532 13 15-63	Couverture de borne
43	532 19 25-07	Solénoïde
45	587 55 39-03	Ampèremètre autour
46	587 55 40-03	Compteur horaire
50	532 17 46-51	Interrupteur
55	817 06 05-12	Vis 5/16-18 x 3/4
59	532 40 03-03	12V Sortie
71	532 19 42-76	Harnais
79	532 17 52-42	L'ampoule d'Assemblée de douille
90	532 43 53-95	Couverture
99	817 67 04-12	Vis H 1/4-20 x 3/4
100	819 09 14-16	Rondelle 9/32 x 7/8 x 16 Ja.
102	532 40 44-54	L'assemblée du Câble
103	532 42 17-47	L'assemblée du Câble 12V
105	532 40 75-68	Commutateur inverse de contrôle de pédale

**REMARQUE:** Toutes les dimensions de composant sont données en pouces É.-U. --1 pouce = 25,4 mm

TRACTEUR - NO. DE MODÈLE YTH48XLS (96048006500), NO. DE PROD. 960 48 00-65  
CHÂSSIS/ENCEINTES



chassis-tex\_GT HUSQ II\_106\_r2

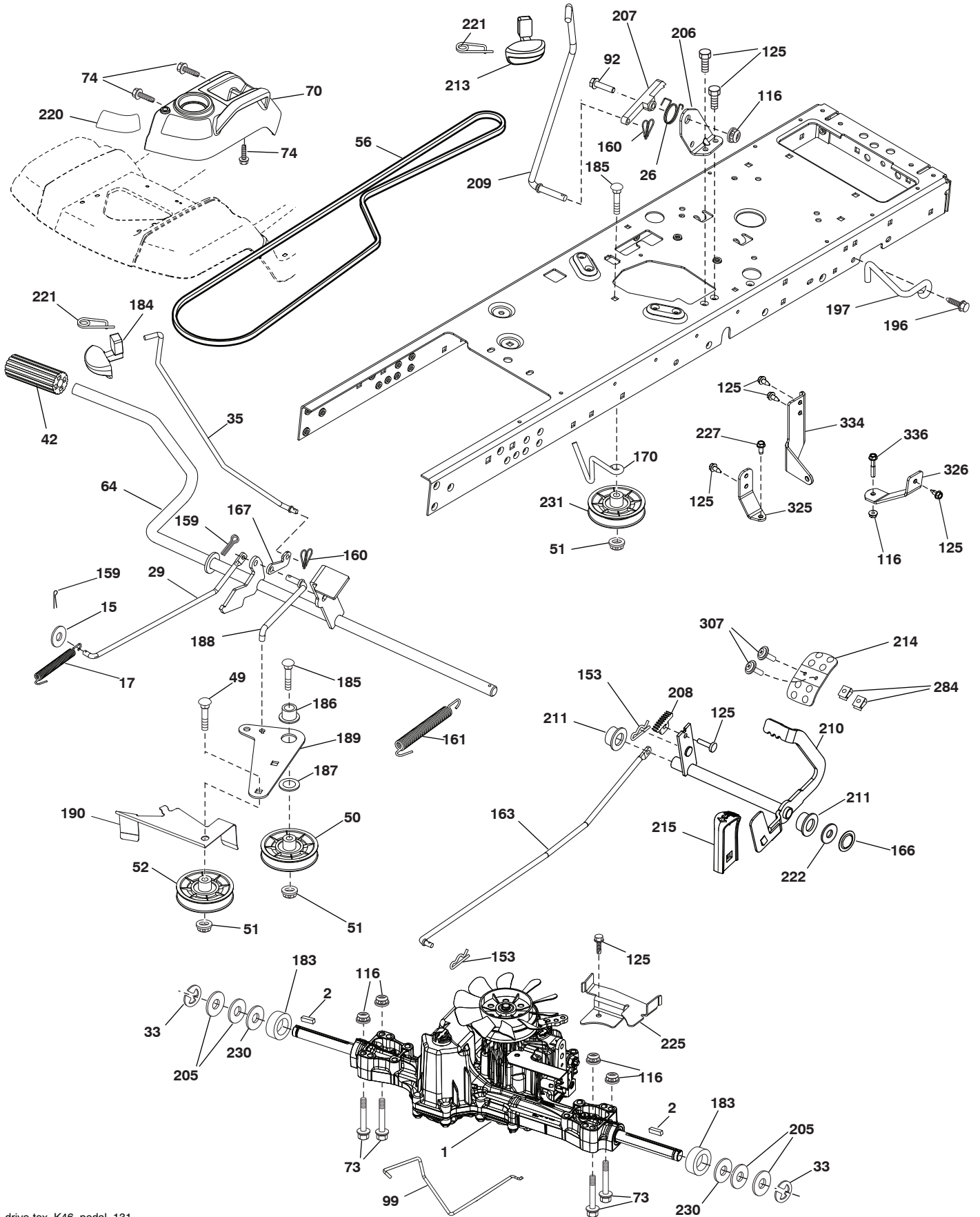
# TRACTEUR - NO. DE MODÈLE YTH48XLS (96048006500), NO. DE PROD. 960 48 00-65 CHÂSSIS/ENCEINTES

NO. DE RÉF.	NO DE PIÈCE	DESCRIPTION	NO. DE RÉF.	NO DE PIÈCE	DESCRIPTION
2	532 41 22-82	Barre inférieur	191	532 43 74-55	Insertion réfléchissante C.D.
3	532 43 97-52	Applique	194	873 90 05-00	Écrou 5/16-18
5	532 43 74-88	Tableau de bord	196	532 43 96-74	La Console d'Ascenseur de pont
14	532 44 11-77	Capot	199	532 19 82-59	L'ascenseur de Plaque de pont
15	532 43 97-33	Lentilles C.G.	202	532 43 97-28	Ventile C.D.
18	532 44 06-53	Grille/Lentilles assemblée	203	532 43 97-27	Ventile C.G.
25	532 44 33-85	Lentilles C.D.	204	532 43 57-14	Ventile sommet
36	817 06 05-12	Vis 5/16-18 x 3/4	205	532 43 97-30	Jupe C.D.
37	532 44 12-08	Aile	206	532 43 97-29	Jupe C.G.
58	532 41 22-81	De la barre supérieur	207	532 43 97-34	Biseau C.D.
68	817 49 05-08	Vis 5/16-18 x 1/2	208	532 43 97-35	Biseau C.G.
125	581 68 48-01	Pince	214	532 19 91-45	Collier de retenue
130	532 41 63-58	Vis 10 x .750	217	532 40 91-67	Pivoter la Tringle
137	532 40 75-90	Précipiter le pare-chocs	221	532 19 89-09	Réflecteur C.G.
146	581 85 79-01	Boulon	222	532 13 77-29	Vis 1/4-20 x 5/8
150	532 43 97-74	Canalisation	228	532 19 51-61	Boulon
151	532 43 66-70	Support de capot de pivot	233	532 19 65-39	Vis 1/4-20 x 3/8
152	532 43 98-70	Deflecteur	234	532 40 47-42	Butoir de capot
159	817 00 06-12	Vis 3/8-16 x 3/4	235	532 40 61-29	Entretoise pour l'aile
161	532 43 99-29	Fenêtre d'essence	236	873 93 05-00	Écrou auto-bloquant 5/16-18 unc
162	532 14 24-32	Vis H 1/4 x 1/2 unc	297	532 43 74-56	Insertion réfléchissante C.G.
165	532 19 43-30	Soutien du support	306	873 90 06-00	Écrou
175	532 19 63-04	Pièce d'entretoisement	335	532 44 82-04	Abaissez la couverture d'accès C.D.
176	532 40 07-76	Vis 10-24 x 5/8	336	532 44 53-09	Abaissez la couverture d'accès C.G.
177	532 19 52-28	Douille	350	532 44 51-43	Attache
178	532 19 97-82	Couverture	--	532 43 18-82	Kit de garde de brosse
180	532 44 55-59	Châssis			
182	532 40 68-59	Tableau de bord			
183	874 52 05-20	Boulon 5/16-18 x 1-1/4			
189	817 00 05-12	Vis 5/16-18 x 3/4			

**REMARQUE:** Toutes les dimensions de composant sont données en pouces E.-U. --1 pouce = 25,4 mm



**TRACTEUR - NO. DE MODÈLE YTH48XLS (96048006500), NO. DE PROD. 960 48 00-65**  
**ENTRAÎNEMENT**



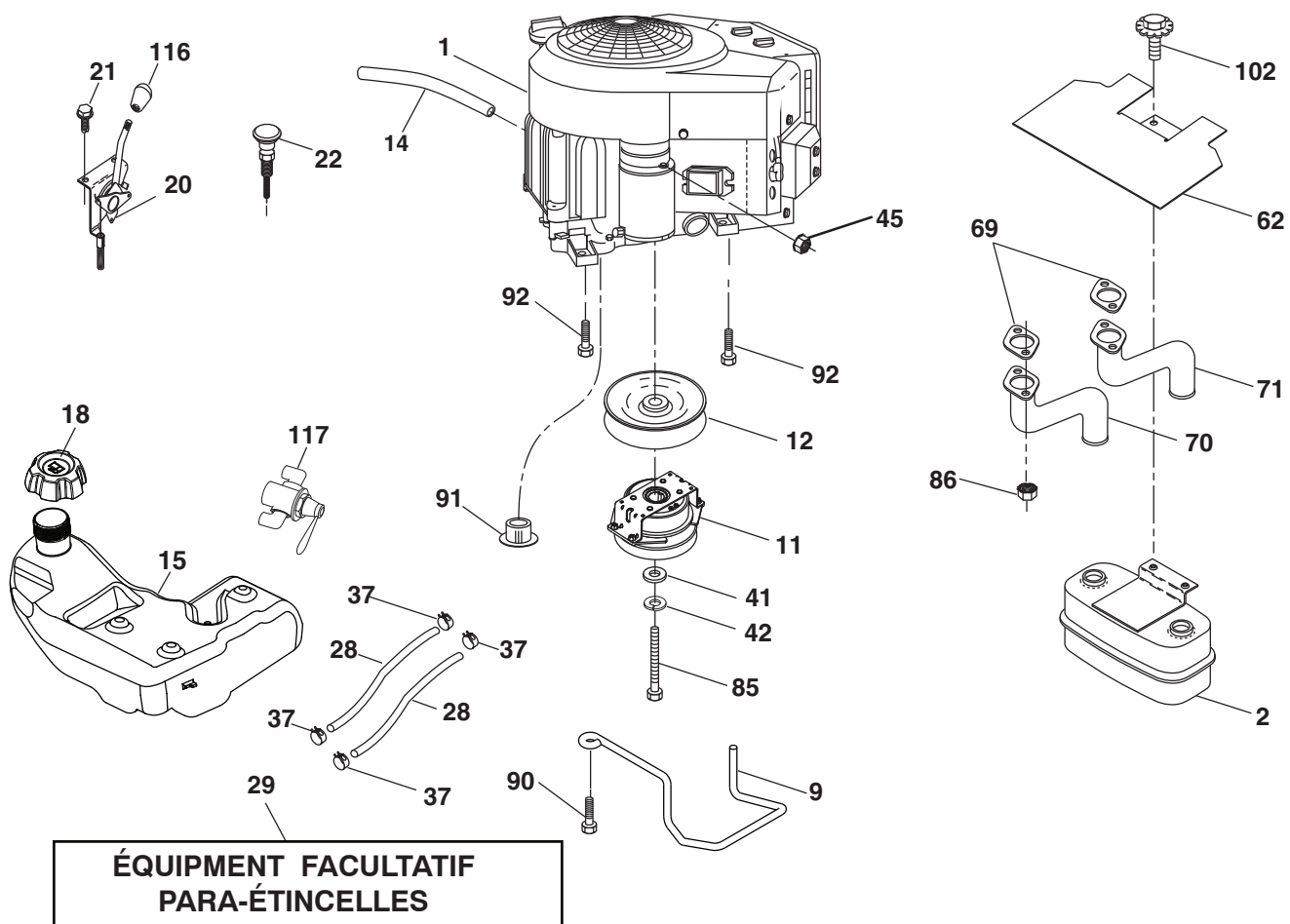


**TRACTEUR - NO. DE MODÈLE YTH48XLS (96048006500), NO. DE PROD. 960 48 00-65  
ENTRAÎNMENT**

<b>NO. DE RÉF.</b>	<b>NO DE PIÈCE</b>	<b>DESCRIPTION</b>	<b>NO. DE RÉF.</b>	<b>NO DE PIÈCE</b>	<b>DESCRIPTION</b>
1	-- -- -- --	Transmission TUFFTORQ K46CR (501051401) (Commandez les pièces du fabricant du transmission.)	185	872 11 06-22	Boulon 3/8-16 x 2-3/4 Cat. 5
2	532 12 35-83	Clé	186	532 19 43-21	Ressort de retenue
15	819 13 13-16	Rondelle 13/32 x 13/16 x 16 Ja.	187	819 13 32-10	Rondelle
17	532 41 36-78	Ressort	188	532 19 43-23	Raccord d'embrayage
26	532 19 96-79	Ressort de rappel	189	532 19 43-17	Levier coudé
29	532 40 38-06	Tige du frein	190	532 19 43-18	Guide
33	812 00 00-01	Bague en E	196	817 00 06-16	Vis 3/8-16 x 1
35	583 86 45-01	Tige du frein de stationnement	197	585 65 86-01	Support
42	532 12 48-72	Couverture de la pédale	205	532 12 17-48	Rondelle
49	872 11 06-14	Boulon	206	532 44 85-96	Support
50	532 19 43-27	Poulie du galet-tendeur	207	532 19 78-68	Loquet
51	873 90 06-00	Écrou frein 3/8-16	208	532 19 78-69	Secteur denté
52	532 19 43-26	Galet-tendeur	209	532 19 95-92	Tige
56	532 13 09-69	Courroie trapézoïdale	210	532 19 78-60	Culbuteur
64	532 19 78-65	Ensemble de l'arbre	211	532 12 01-83	Palier de nylon
70	532 43 96-61	Changer la Console	213	532 40 31-19	Boulon
73	874 49 05-40	Boulon 5/16-18 x 2-1/2 Cat. 5	214	532 40 17-22	Pédale en avant
74	532 14 24-32	Vis 1/4 x 1/2 unc	215	532 40 17-23	Pédale contraire
92	874 76 05-20	Boulon H 5/16-18 unc x 1.25	220	532 19 89-08	Réfecteur C.D.
99	532 40 59-03	Tige	221	532 40 31-87	Poignée de clip à ressort d'arrêt
116	873 90 05-00	Écrou frein H 5/16-18	222	879 21 20-10	Rondelle 21/32 x 1-1/4 x 10 Ja.
125	817 00 05-12	Vis 5/16-18 x 3/4	225	532 40 33-19	Garde De courroie De Transmission
153	532 12 47-88	Ressort D'Arrêt	227	817 49 05-12	Vis 5/16-18 x 3/4
159	876 02 04-12	Goupille fendue 1/8 x 3/4	230	532 18 89-67	Rondelle
160	532 16 94-84	Collier de retenue	231	532 40 72-87	Poulie
161	532 10 57-09	Ressort de rappel d'embrayage	284	532 41 76-93	Écrou 1/4-20
163	532 44 82-75	Tige	307	874 18 04-12	Vis 1/4-20 x 3/4
166	532 42 91-64	L'écrou poussant	325	586 43 12-02	Support
167	532 40 52-57	Loquet	326	586 00 11-02	Support
170	532 41 34-30	Guide-courroie	334	585 88 22-02	Support
183	532 13 70-57	Entretoise fendue	336	587 25 96-01	Boulon
184	532 44 14-55	Guidon			

**REMARQUE:** Toutes les dimensions de composant sont données en pouces É.-U. --1 pouce = 25,4 mm

**TRACTEUR - NO. DE MODÈLE YTH48XLS (96048006500), NO. DE PROD. 960 48 00-65**  
**MOTEUR**



engine-tex\_Kawa-2cyl\_45\_r1

**TRACTEUR - NO. DE MODÈLE YTH48XLS (96048006500), NO. DE PROD. 960 48 00-65**  
**MOTEUR**

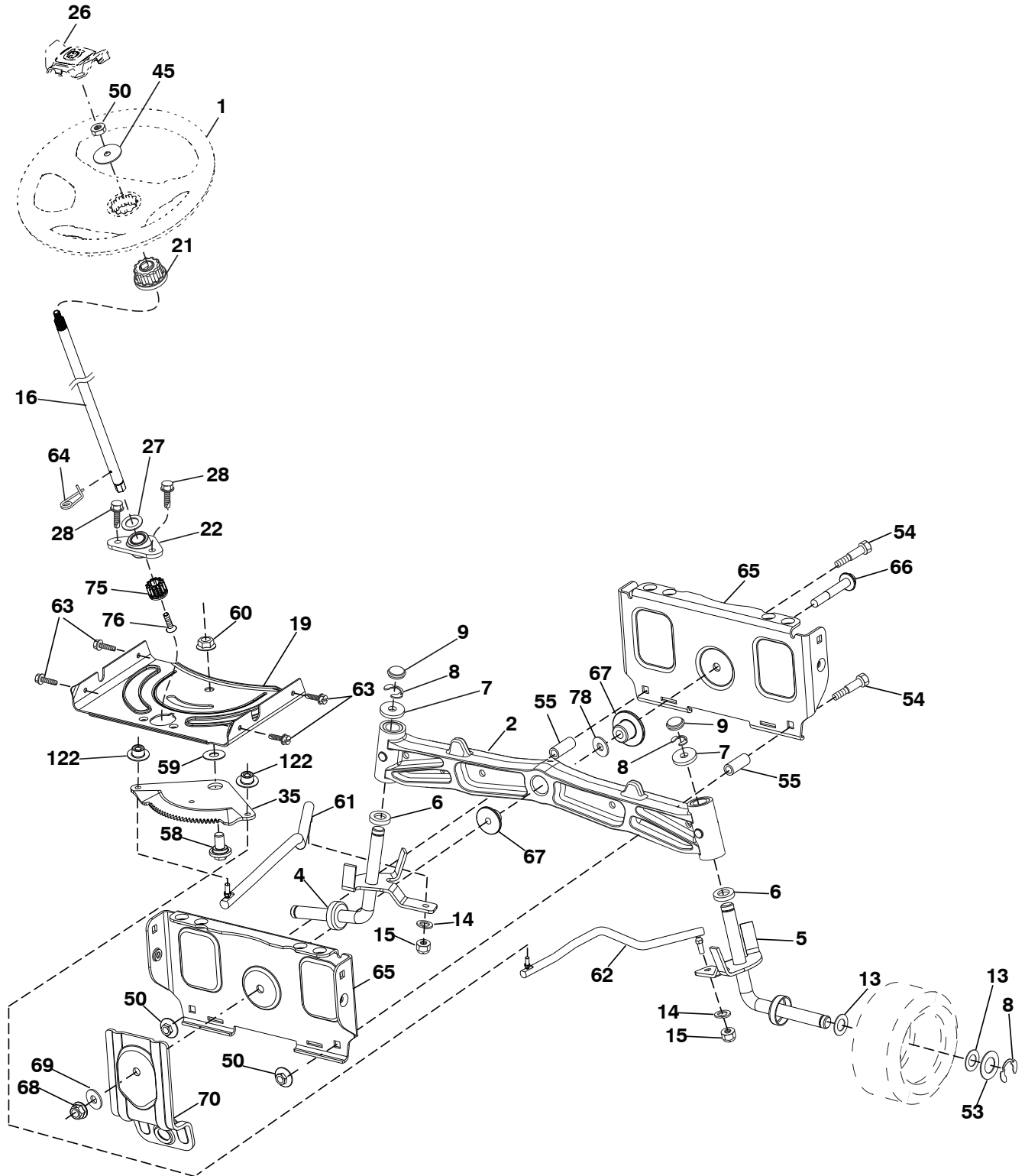
NO. DE RÉF.	NO. DE PIÈCE	DESCRIPTION
1	---	Moteur Kawasaki FR730V-AS12 (445364) (Commandez les pièces du fabricant du moteur.)
2	532 44 59-62	Silencieux
9	584 90 80-01	Ensemble de la guide courroie du moteur
11	587 24 16-01	Embrayage électrique
12	532 40 50-97	Poulie
14	532 14 84-56	Tuyau d'huile
15	532 42 28-04	Réservoir d'essence
18	532 43 96-45	Chapeau
20	532 42 43-41	Commande des gaz
21	532 41 63-58	Vis #10 x .750 BOS
22	532 19 15-96	Starter
28	532 14 21-58	Conduite d'essence
29	532 13 71-80	Jeu de pare - étincelles
37	532 12 34-87	Bride de serrage de tuyau
41	532 12 61-97	Rondelle 1-1/2 OD x 15/32 ID x .250
42	810 04 07-00	Rondelle frein 7/16
45	873 51 04-00	Écrou H 1/4-20 unc
62	532 43 40-17	Défecteur de débris
69	532 17 81-51	Garniture de silencieux
70	583 95 56-01	Tube C.G.
71	583 95 57-01	Tube C.D.
85	532 17 99-53	Boulon H 7/16-20 x 3.75
86	532 18 43-62	Écrou M8-1.25
90	817 00 06-16	Vis 3/8-16 x 1
91	532 18 74-95	Bague
92	817 12 06-16	Vis 3/8-16 x 1
102	817 00 05-12	Vis 5/16-18 x 3/4
116	539 13 26-24	Bouton mou
117	532 42 08-28	Soupape de combustible

**REMARQUE:** Toutes les dimensions de composant sont données en pouce d'E.-U. - - 1 pouce = 25,4 mm.

Pour des pièces de service et de rechange de moteur, réclamez le numéro de téléphone libre pour votre fabricant de moteur énuméré ci-dessous:

Kawasaki 1-949-460-5688

TRACTEUR - NO. DE MODÈLE YTH48XLS (96048006500), NO. DE PROD. 960 48 00-65  
ENSEMBLE DE LA DIRECTION



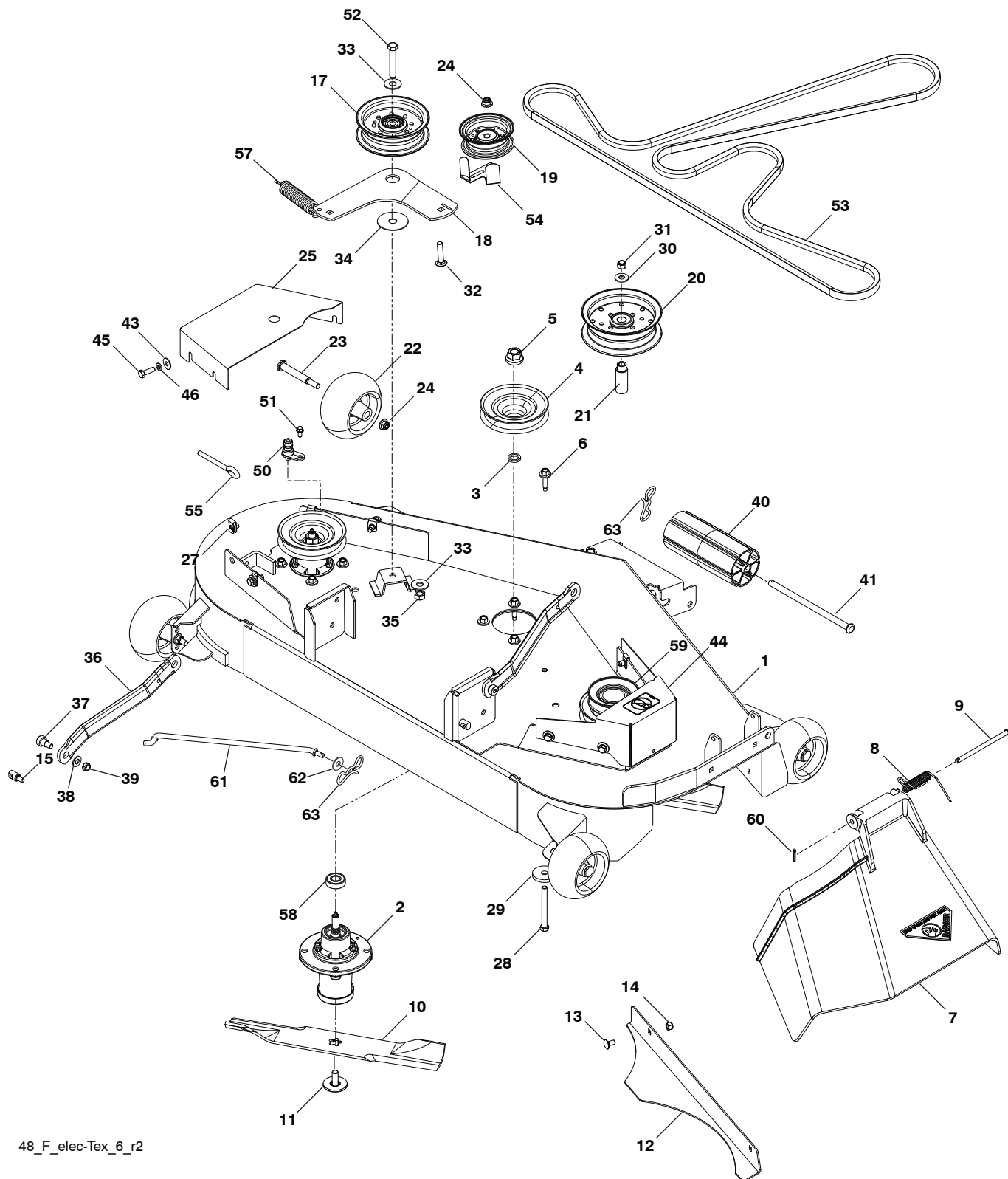
steering-tex\_HUSQSR\_63

**TRACTEUR - NO. DE MODÈLE YTH48XLS (96048006500), NO. DE PROD. 960 48 00-65  
ENSEMBLE DE LA DIRECTION**

<b>NO. DE RÉF.</b>	<b>NO DE PIÈCE</b>	<b>DESCRIPTION</b>
1	532 43 97-40	Volant de direction
2	532 19 59-68	Essieu
4	532 40 30-89	Ensemble de la broche C.G.
5	532 40 30-90	Ensemble de la broche C.D.
6	532 12 49-31	Palier de butée durci
7	532 12 17-48	Rondelle 25/32 x 1-5/8 x 16 Ja.
8	812 00 00-29	Rondelle clip n°t5304-75
9	532 12 12-32	Chapeau de broche
13	532 12 17-49	Rondelle 25/32 x 1-1/4 x 16 Ja.
14	810 04 06-00	Rondelle frein 3/8
15	873 54 06-00	Écrou frein 3/8-24 unf
16	587 01 60-02	Arbre de direction
19	532 19 47-29	Arbre de plaque
21	586 84 02-01	Adaptateur du volant de direction
22	585 02 98-02	Palier
26	532 43 97-43	Insert de chapeau du volant de direction
27	819 21 16-16	Rondelle
28	817 00 06-12	Vis 3/8-16 x 3/4
35	532 19 47-32	Secteur denté
45	587 01 64-01	Rondelle 3/8 ID 2-3/8 OD 12 Ja. PLTD
50	873 90 06-00	Écrou 3/8-16 unc
53	532 18 89-67	Rondelle .793 x 1.637 x .060
54	874 76 06-36	Boulon 3/8-16 x 2-1/4
55	532 41 47-36	Entretoise
58	532 19 47-47	Boulon à épaulement
59	532 19 47-48	Rondelle
60	873 97 10-00	Écrou frein à collet 5/8-11
61	532 19 47-40	Barre de direction C.G.
62	532 19 47-41	Barre de direction C.D.
63	817 00 05-12	Vis 5/16-18 x 3/4
64	532 19 98-49	Collier de retenue
65	532 19 47-34	Support
66	871 02 07-48	Boulon H 7/16-14 x 3
67	532 19 47-37	Douille
68	873 90 07-00	Écrou frein à collet 7/16-14 Cat. 5
69	532 19 91-62	Rondelle 1.5 x .505 x .118
70	532 19 61-97	Support
75	580 68 37-01	Pignon
76	580 68 36-01	Vis
78	532 05 70-79	Rondelle
122	532 44 49-62	Chapeau

**REMARQUE:** Toutes les dimensions de composant sont données en pouces É.-U. --1 pouce = 25,4 mm

TRACTEUR - NO. DE MODÈLE YTH48XLS (96048006500), NO. DE PROD. 960 48 00-65  
CARTER DE TONDEUSE



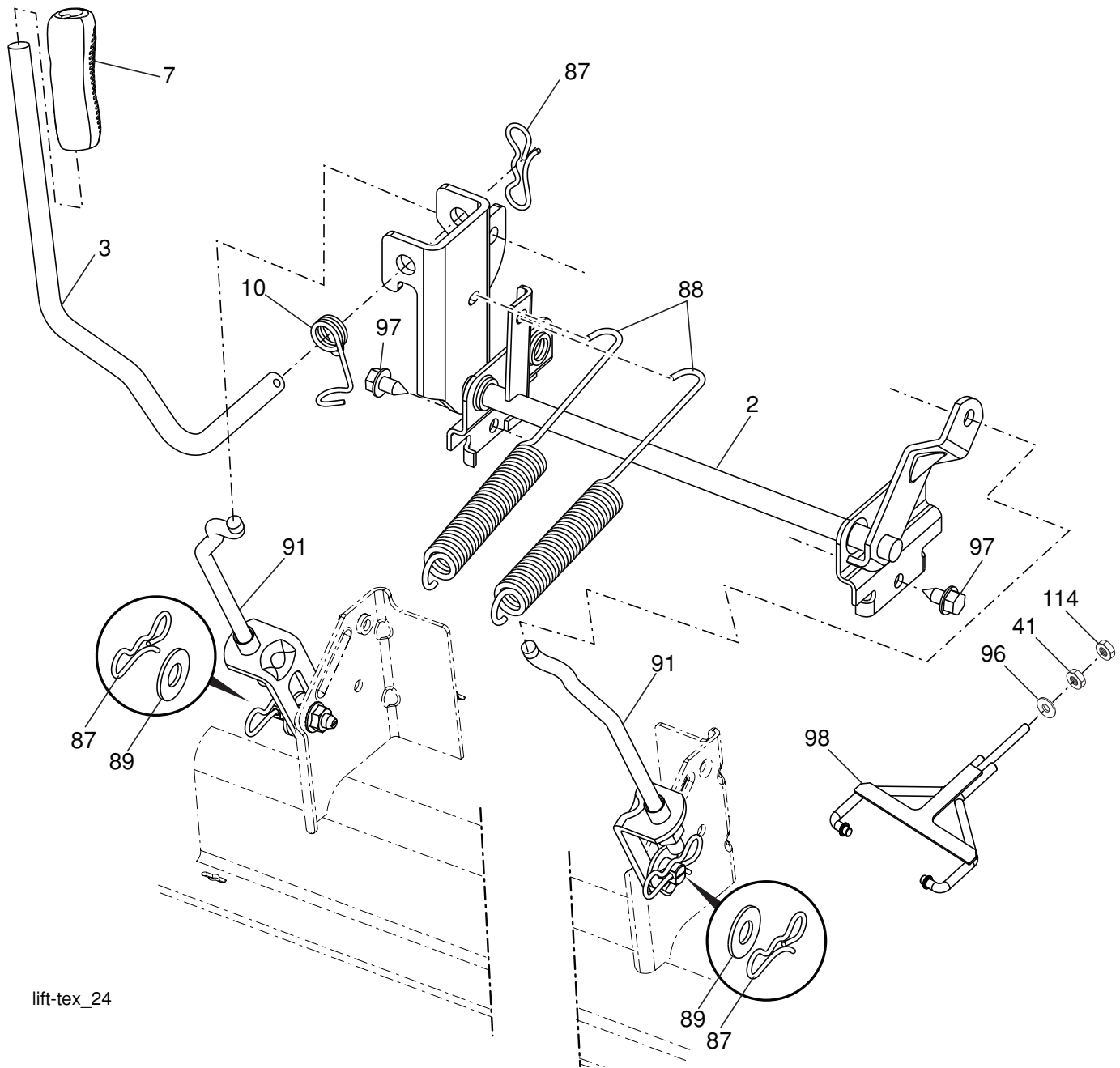
48\_F\_elec-Tex\_6\_r2

**TRACTEUR - NO. DE MODÈLE YTH48XLS (96048006500), NO. DE PROD. 960 48 00-65  
CARTER DE TONDEUSE**

<b>NO. DE RÉF.</b>	<b>NO DE PIÈCE</b>	<b>DESCRIPTION</b>	<b>NO. DE RÉF.</b>	<b>NO DE PIÈCE</b>	<b>DESCRIPTION</b>
1	594 74 20-01	Tondeuse	36	532 19 51-85	Bras de suspension arrière
2	539 11 21-70	Ensemble le boîtier	37	539 11 36-21	Sb 3/8-16 x 3/8 Skt Hd
3	532 18 76-90	Rondelle	38	819 13 13-16	Rondelle 13/32 x 13/16 x Ja 16
4	532 17 43-75	Poulie Mandrel	39	539 20 02-82	Écrou 3/8-16
5	532 40 02-34	Écrou	40	532 17 60-66	Rouleau-guide, 48"
6	532 17 39-84	Vis	41	532 17 91-27	Rouleau-guide tige
7	539 11 07-32	Glissière de renvoi de plastique - 48"	43	819 12 14-14	Rondelle 3/8 x 7/8 x Ja 14
8	539 11 07-35	Ressort	44	575 96 72-02	Défecteur C.D.
9	539 11 07-36	Axe de chape 5/16 x 5.19	45	874 78 05-16	Boulon 5/16-18 unc x 1
10	539 11 34-25	Lame 14-5/8"	46	810 03 05-00	Rondelle 5/16
11	532 19 30-03	Boulon 7/16-20	50	532 41 55-98	Raccord de lavage du plateau de coupe
12	539 11 34-26	Plaque	51	817 49 04-08	Vis 1/4-20 x 1/2
13	872 11 05-05	Rhsnb 5/16-18 x 5/8 Ja 5	52	874 78 07-40	Hcs 7/16-14 x 2-1/2 Ja 5
14	873 80 05-00	Écrou 5/16-18 unc	53	574 84 56-02	Courroie carter de tondeuse Fab 48"
15	532 19 51-61	Sb 3/8-16 x 3/8 Skt Hd	54	532 14 10-43	Protecteur
17	532 19 61-04	Poulie	55	539 11 55-74	Boulon 5/16 x 3-1/2
18	574 82 71-01	Bras du galet-tendeur	57	539 10 68-50	Ressort
19	532 17 79-68	Poulie de tension	58	532 11 04-85	Roulement à billes
20	539 13 27-28	Poulie de tension	59	575 35 29-01	Poulie
21	575 22 45-01	Coussinet	60	532 16 94-84	Pince d'arrêt
22	532 13 39-57	Support de roue	61	532 40 48-51	Barre de non Mouvement
23	532 19 34-06	Boulon 3/8-16 x 3-5/8	62	819 13 13-12	Rondelle 13/32 x 13/16 x 12 Ja.
24	521 99 65-01	Écrou 3/8-16	63	532 19 42-08	Goupille en épingle à cheveux 5/16
25	575 22 47-02	Défecteur C.G.	--	594 74 20-01	Ensemble du carter de tondeuse complet
27	539 10 47-63	Arrêteur 5/16	--	965 89 40-03	Jeu de broyeuse
28	539 10 82-71	Hcs 3/8-16 x 3-1/2 Ja 5			
29	539 10 65-04	Rondelle			
30	819 14 16-14	Rondelle 3/8			
31	539 97 69-79	Écrou 3/8-16			
32	539 99 09-23	Rhsnb 3/8-16 x 1-3/4 Ja 5			
33	539 10 48-64	Rondelle 7/16			
34	532 17 85-15	Rondelle			
35	873 90 07-00	Écrou 7/16-14 G5			

**REMARQUE:** Toutes les dimensions de composant sont données en pouces É.-U. --1 pouce = 25,4 mm

**TRACTEUR - NO. DE MODÈLE YTH48XLS (96048006500), NO. DE PROD. 960 48 00-65  
LEVAGE DE TONDEUSE**



lift-tex\_24

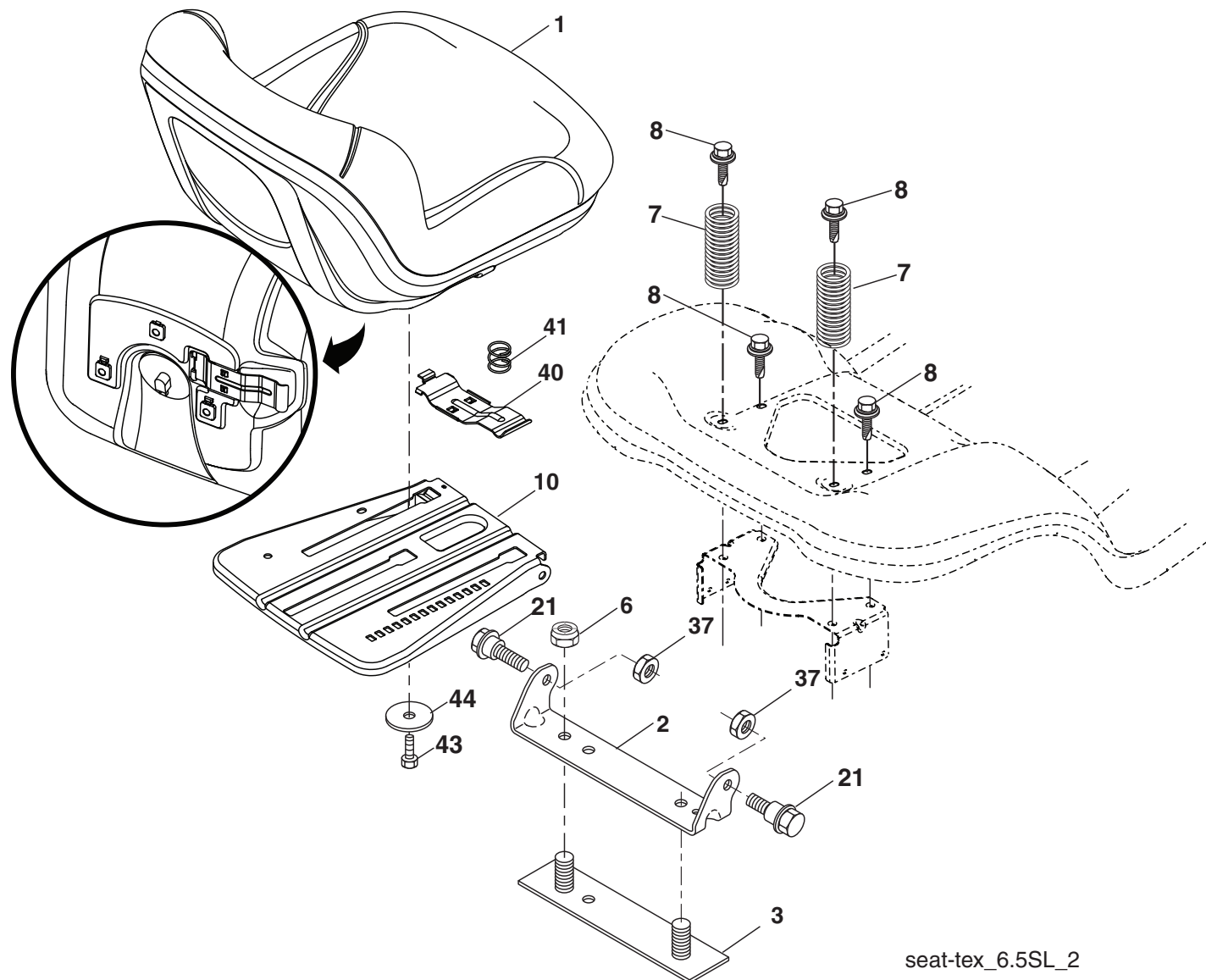
NO. DE RÉF.	NO DE PIÈCE	DESCRIPTION
2	532 42 20-27	Ensemble de l'arbre
3	532 19 52-30	Ensemble de l'arbre de levage
7	580 96 23-01	Poignée cannelée du levier
10	532 19 63-14	Ressort de Torsion
41	532 17 59-94	Écrou
87	532 19 42-09	Goupille fendue 7/16
88	532 41 07-10	Ressort de retenue
89	819 19 19-12	Rondelle

NO. DE RÉF.	NO DE PIÈCE	DESCRIPTION
91	532 40 34-07	Raccord de levage
96	532 19 52-63	Douille
97	817 06 06-12	Vis 3/8-16 x .75
98	574 82 25-01	Raccord de levage
114	873 36 07-00	Contre-écrou

**REMARQUE:** Toutes les dimensions de composant sont données en pouces É.-U. --1 pouce = 25,4 mm.



**TRACTEUR - NO. DE MODÈLE YTH48XLS (96048006500), NO. DE PROD. 960 48 00-65  
ENSEMBLE DU SIÈGE**

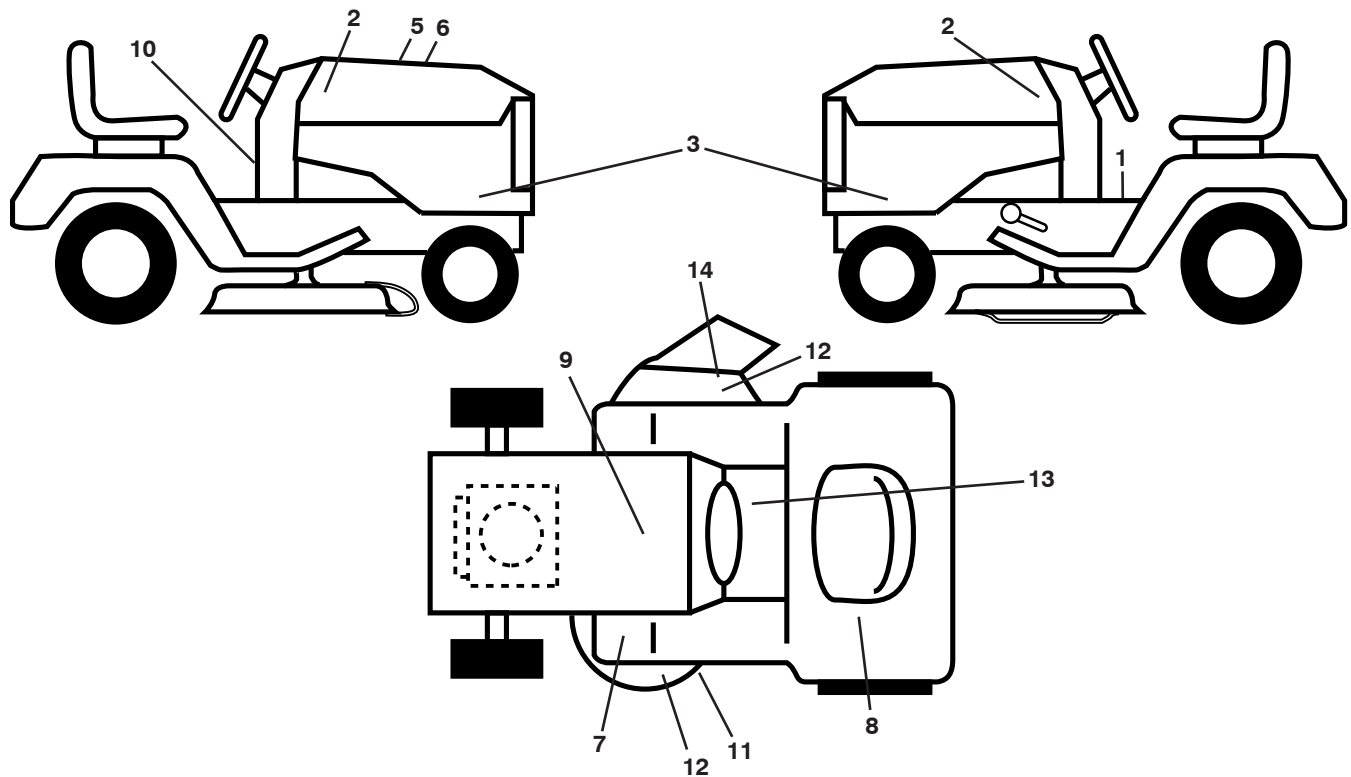


NO. DE RÉF.	NO DE PIÈCE	DESCRIPTION
1	532 43 98-22	Siège
2	532 18 01-66	Support de pivot
3	532 14 06-75	Attache de l'ensemble de l'aile
6	873 80 06-00	Écrou frein H avec insert 3/8-16 unc
7	532 12 41-81	Ressort de compression du siège
8	532 17 18-77	Boulon 5/16-18 unc x 3/4
10	532 19 69-77	Cuvette du siège
21	532 17 18-52	Boulon à épaulement 5/16-18

NO. DE RÉF.	NO DE PIÈCE	DESCRIPTION
37	873 80 05-00	Écrou frein 5/16-18 unc
40	532 43 98-71	Guidon
41	532 19 82-00	Ressort de compression
43	874 76 06-12	Boulon 3/8-16 x 3/4
44	819 13 38-12	Rondelle 13/32 x 2-3/8 x 12 Ja.

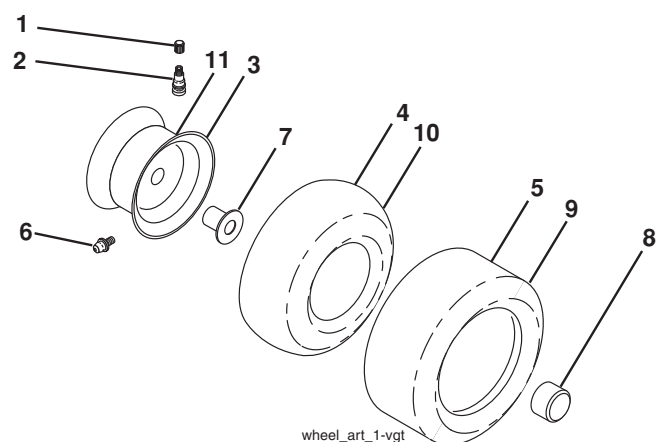
**REMARQUE:** Toutes les dimensions de composant sont données en pouces E.-U. --1 pouce = 25,4 mm

**TRACTEUR - NO. DE MODÈLE YTH48XLS (96048006500), NO. DE PROD. 960 48 00-65**  
**DÉCALCOMANIE**



NO. DE RÉF.	NO DE PIÈCE	DESCRIPTION	NO. DE RÉF.	NO DE PIÈCE	DESCRIPTION
1	581 57 90-01	Décalcomanie d'opération avertissement	11	581 58 00-02	Décalcomanie de tondeuse
2	581 62 73-01	Décalcomanie Capuchon	12	581 72 43-01	Décalcomanie
3	585 90 33-01	Décalcomanie Lambriser l'Emblème	13	581 57 86-01	Décalcomanie de pédale
5	532 42 38-29	Décalcomanie Réponse clientèle	14	584 90 46-01	Décalcomanie D'avertissement
6	585 79 48-01	Décalcomanie remplacement	--	581 72 48-01	Décalcomanie dérivation
7	532 41 86-00	Décalcomanie pédale Husq. couronne	--	532 43 98-82	Coussin d'repose-pied C.G.
8	585 38 55-01	Décalcomanie réservation de carburant	--	532 43 98-81	Coussin d'repose-pied C.D.
9	532 14 50-05	Décalcomanie de danger/poison de la batterie	--	585 91 32-24	Manuel de L'Opérateur (Anglais/Français)
10	581 57 99-01	Décalcomanie de jeu de pare - étincelles	--	585 91 32-26	Manuel des Pièces de Rechange (Anglais/Français)

**ROUES & PNEUS**



NO. DE RÉF.	NO DE PIÈCE	DESCRIPTION
1	532 05 91-92	Capuchon de la valve du pneu
2	532 06 51-39	Tubulure de la valve
3	532 18 18-39	Ensemble de la jante antérieure
4	532 00 81-34	Chambre à air antérieure (non fournie)
5	532 16 10-24	Pneu antérieur 16 x 6.5-8
6	532 12 49-57	Graisseur (roue antérieure seulement)
7	532 12 49-59	Palier à bride (roue antérieure seulement)
8	532 17 50-39	Chapeau de l'essieu
9	532 17 04-56	Pneu arrière 20 x 10-8
10	532 12 49-26	Chambre à air arrière (non fournie)
11	532 13 83-37	Ensemble de la jante arrière
--	532 14 43-34	Joint d'étanchéité de pneu (tube de .30L [10 oz. Tube])

**REMARQUE:** Toutes les dimensions de composant sont données en pouces É.-U. --1 pouce = 25,4 mm

---

# **SERVICE NOTES/REMARQUES D'ENTRETIEN**

---



[www.husqvarna.com](http://www.husqvarna.com)