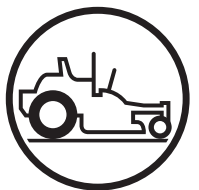




www.husqvarna.com



Parts Manual

Z 572x / 967 679001-00

Please read the operator manual carefully and make sure you understand the instructions before using the machine.

Gasoline containing a maximum of 10% ethanol (E10) is permitted for use in this machine. The use of gasoline with more than 10% ethanol (E10) will void the product warranty.

08-21-2018 CL

115 91 44-27 Rev. G



When you need spare parts or support in service questions, warranty issues, etc., please consult the following professional:

| | | |
|---|--------|--------------|
| | | |
| This manual belongs to the machine with the manufacturing number: | Engine | Transmission |

Manufacturing Number

The machine's manufacturing number can be found on the printed plate affixed to the engine compartment.

Stated on the plate, from the top are:

- The machine's type designation (I.D.)
- The manufacturer's type number (Model)
- The machine's serial number (Serial no.)

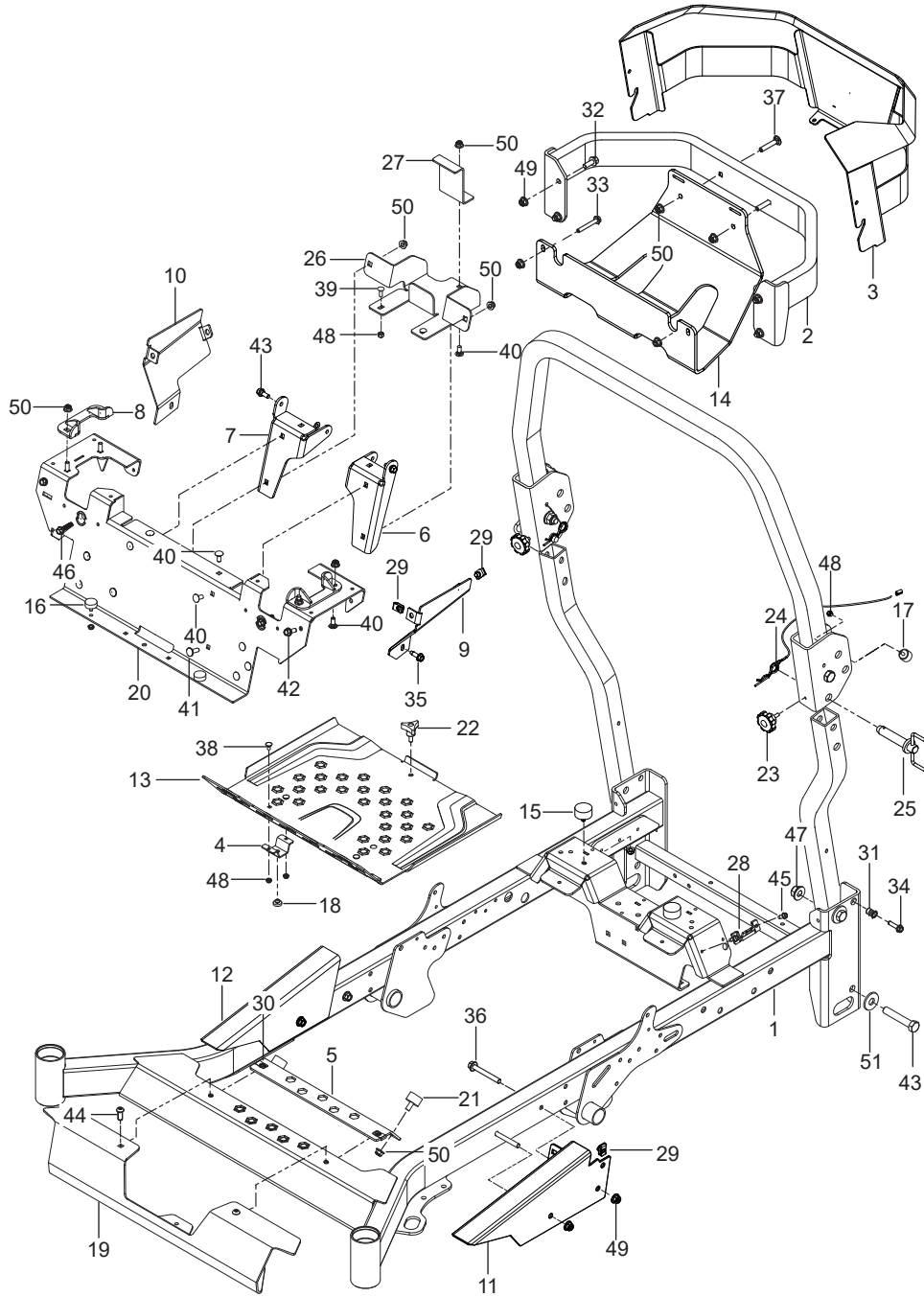
Please have the type designation and serial number available when ordering spare parts.

CONTENTS

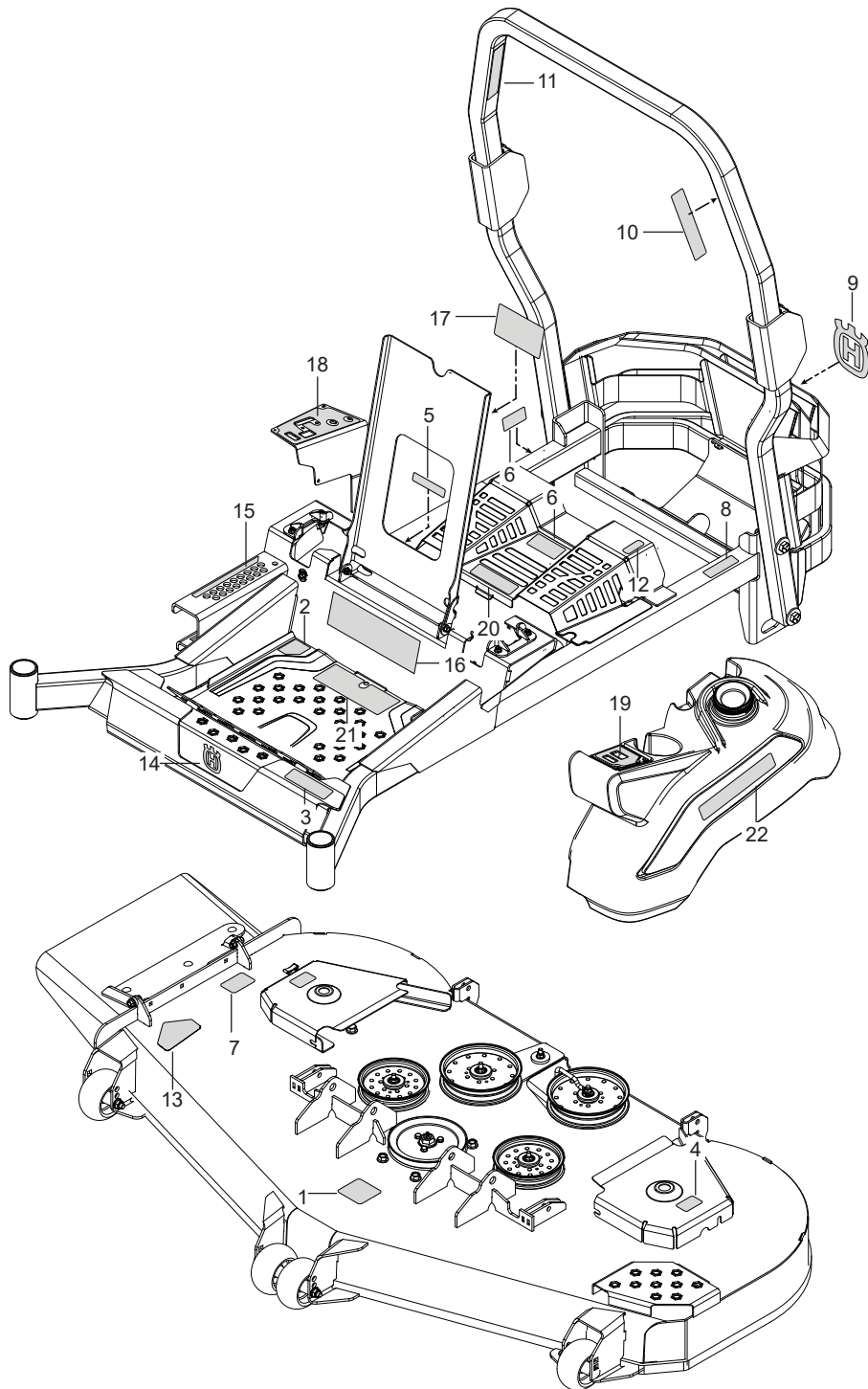
| | |
|---|----|
| FRAME..... | 4 |
| ENGINE MOUNTING, GUARDS & MUFFLER | 6 |
| STEERING / BRAKE | 8 |
| CONSOLE | 10 |
| FUEL SYSTEM..... | 12 |
| HYDRAULIC PUMP - MOTOR..... | 14 |
| HYDRAULIC GUARDS | 16 |
| WHEELS & TIRES | 18 |
| MOWER LIFT / DECK LIFT..... | 20 |
| MOWER DECK / CUTTING DECK | 22 |
| SPINDLE | 24 |
| SEAT | 26 |
| DECALS | 28 |

Illustrations may or may not represent the actual assemblies and it is not recommended to use this manual as a guide to assemble or disassemble the mower.

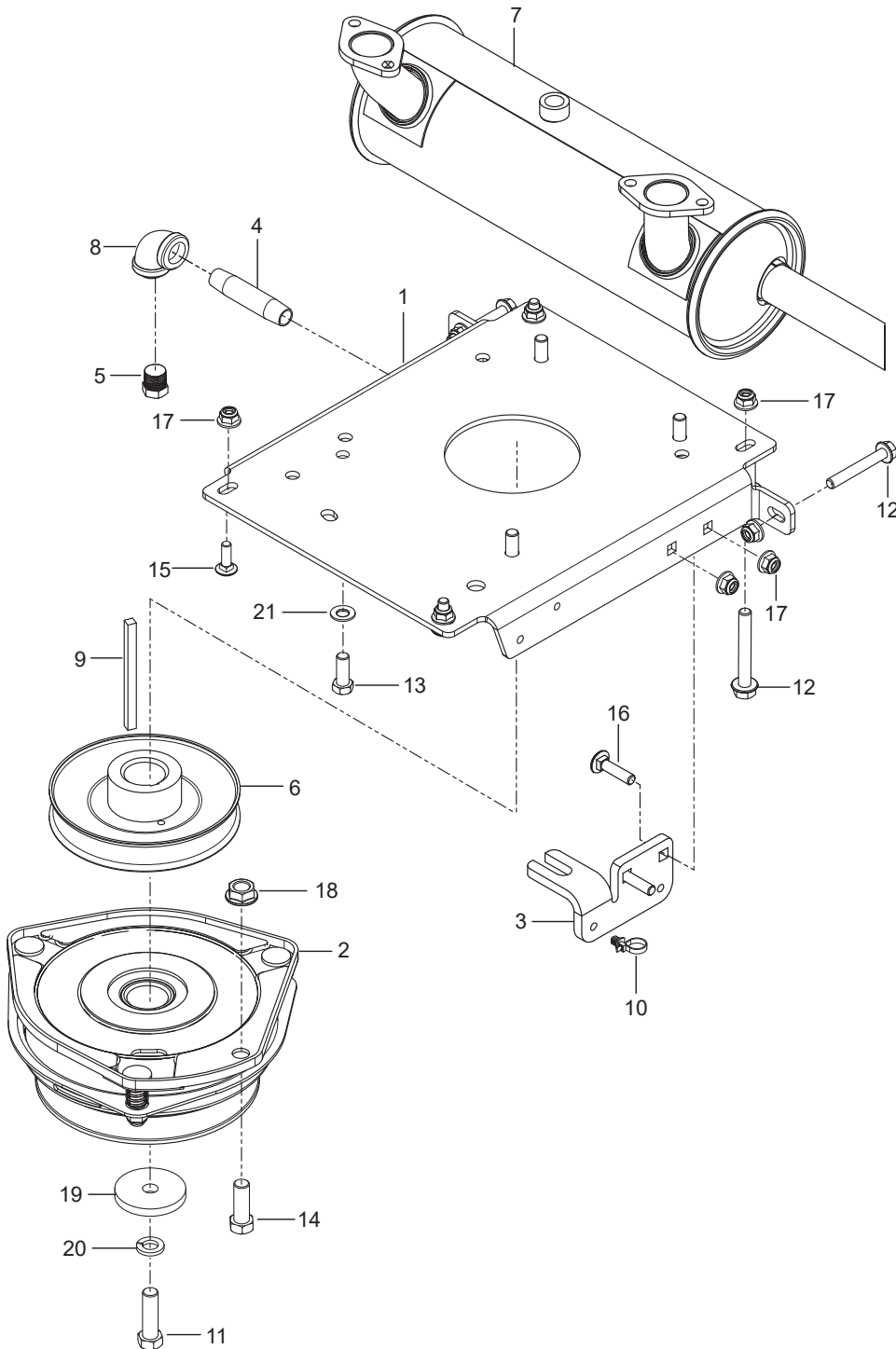
NOTE: All fasteners are Grade 5 unless otherwise specified.



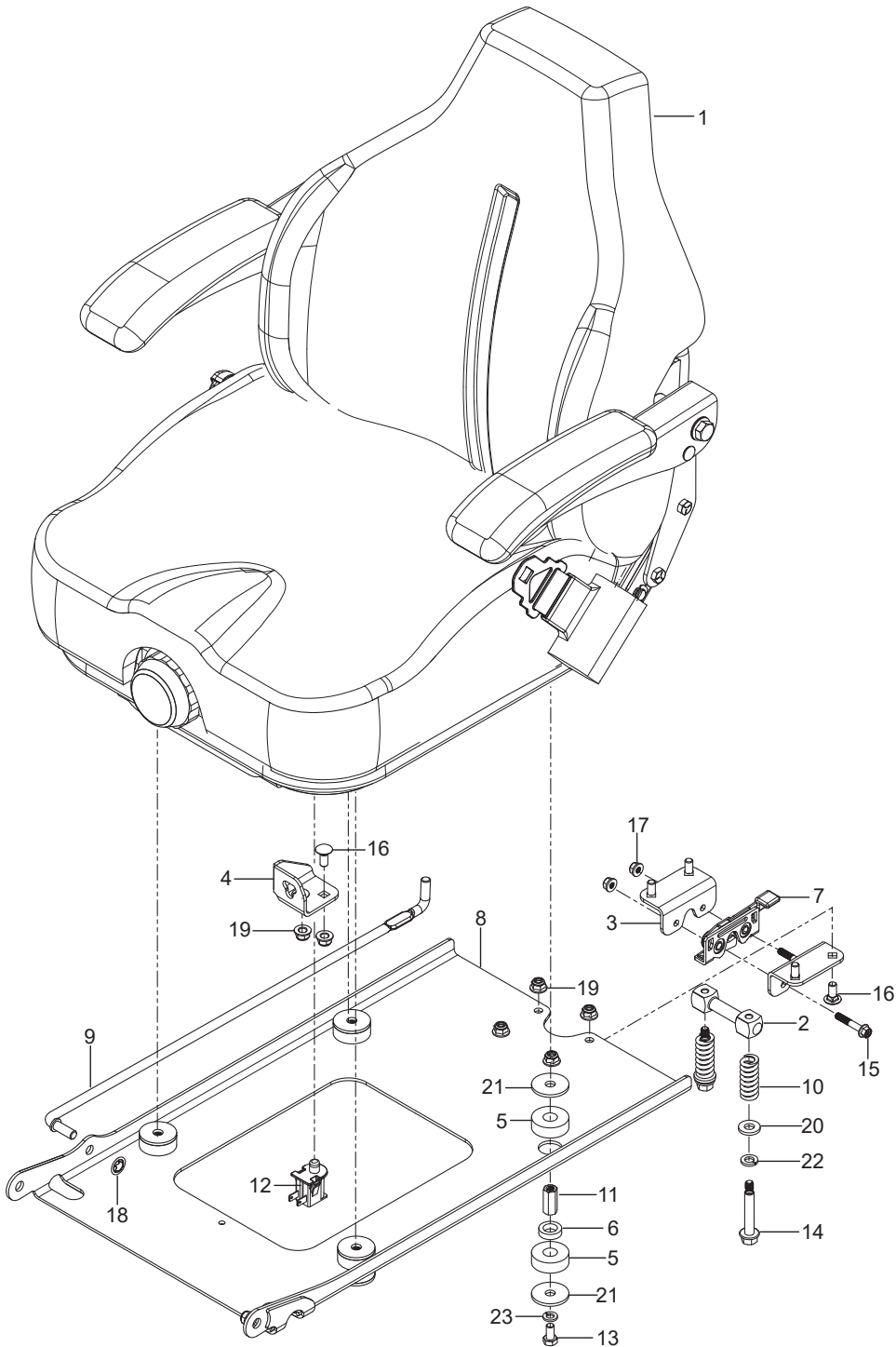
| Ref. | Part No. | Qty | Description | Kit / Assy Includes |
|-----------|--------------|-----|--------------------------------|---------------------|
| 1 | 574 43 88-01 | 1 | Decal, Belt Routing (72" only) | |
| 2 | 590 20 94-01 | 1 | Decal, Motion/Brake Right | |
| | 590 20 95-01 | 1 | Decal, Motion/Brake Left | |
| 3 | 590 80 79-01 | 1 | Decal, Z 572x | |
| 4 | 581 72 43-01 | 2 | Decal, No Step | |
| 5 | 539 10 57-45 | 1 | Decal, Battery Warning | |
| 6 | 539 10 57-44 | 2 | Decal, Danger Belt | |
| 7 | 581 72 44-01 | 1 | Decal, Deflector Warning | |
| 8 | 532 42 41-02 | 1 | Decal, Spark Arrestor | |
| 9 | 574 45 50-01 | 1 | Decal, Crown Large | |
| 10 | 574 56 90-06 | 1 | Decal, ROPS | |
| 11 | 574 56 90-02 | 1 | Decal, Warning ROPS | |
| 12 | 574 56 94-01 | 1 | Decal, Fuse | |
| 13 | 584 90 46-01 | 1 | Decal, Deck/Deflect Warning | |
| 14 | 532 42 86-76 | 1 | Decal, Crown Small | |
| 15 | 590 79 93-01 | 1 | Decal, Deck Height | |
| 16 | 590 21 00-01 | 1 | Decal, Commercial | |
| 17 | 590 84 68-01 | 1 | Decal, Maintenance/Service | |
| 18 | 590 21 03-01 | 1 | Decal, Control Panel Right | |
| 19 | 590 21 05-01 | 1 | Decal, Control Panel Left | |
| 20 | 590 20 97-01 | 1 | Decal, Transmission Warning | |
| 21 | 590 20 92-01 | 1 | Decal, Starting EFI | |
| 22 | 577 46 90-01 | 2 | Decal, Emblem | |
| NOT SHOWN | | | | |
| | 577 15 01-01 | 1 | Decal, Fuel | |



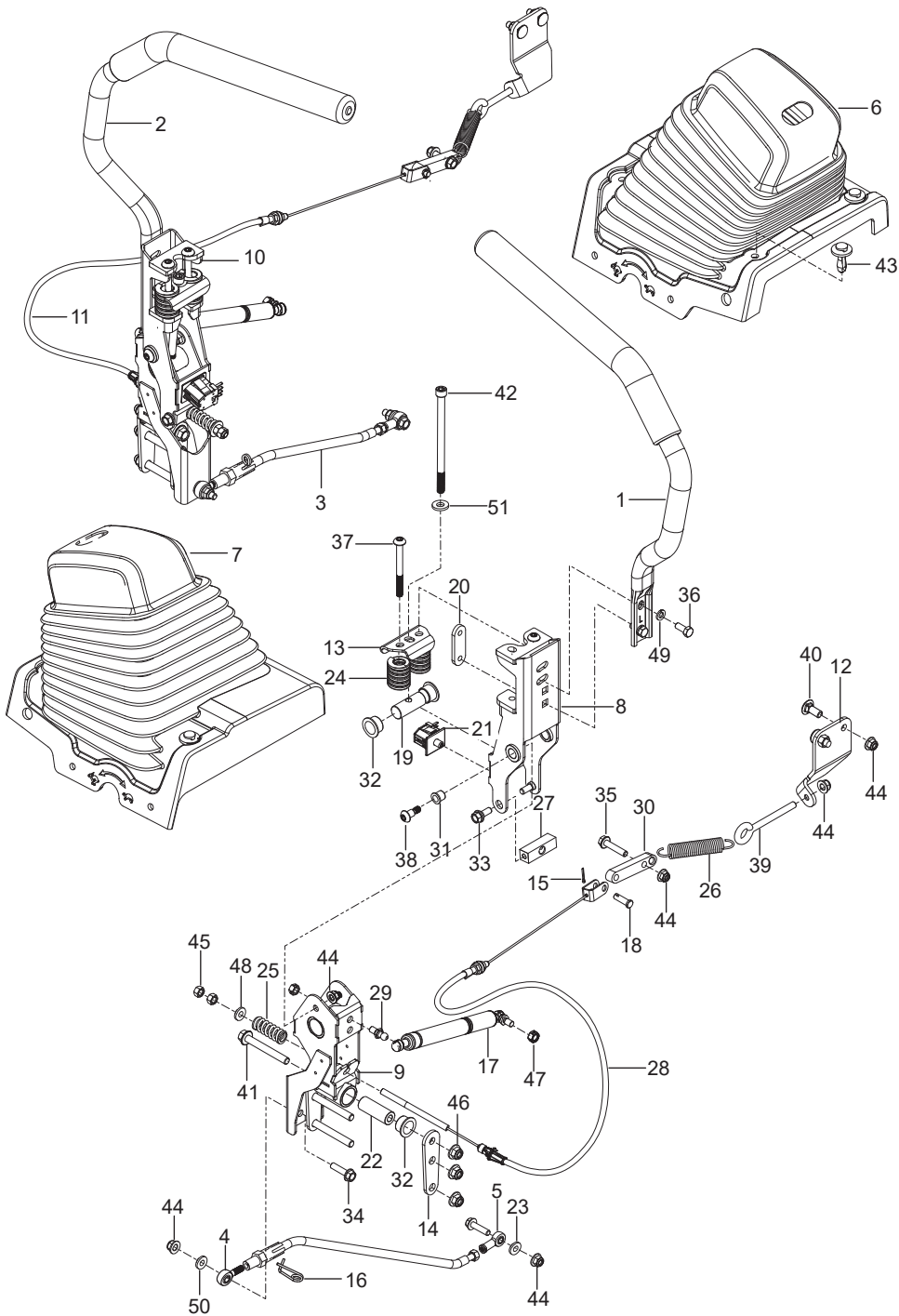
| Ref. | Part No. | Qty | Description | Kit / Assy Includes |
|-----------|--------------|-----|---|---------------------|
| 1 | 591 35 98-02 | 1 | Frame w/ Safety Decal | |
| 2 | 522 67 57-01 | 1 | Guard Rear Org | |
| 3 | 587 89 80-02 | 1 | Guard Engine Grey | |
| 4 | 589 80 88-02 | 2 | Bracket, Floorpan | |
| 5 | 589 80 72-02 | 1 | Bracket, Isolator Support Blk | |
| 6 | 589 44 82-02 | 1 | Bracket, Seat Mount Left | |
| 7 | 589 44 82-04 | 1 | Bracket, Seat Mount Right | |
| 8 | 582 48 11-01 | 2 | Bracket, Stop | |
| 9 | 582 48 10-02 | 1 | Panel, Close Out Left Org | |
| 10 | 582 48 10-04 | 1 | Panel, Close Out Right Org | |
| 11 | 582 48 08-03 | 1 | Panel, Wedge Left Org | |
| 12 | 582 48 08-04 | 1 | Panel, Wedge Right Org | |
| 13 | 589 30 46-02 | 1 | Plate, Footrest Org | |
| 14 | 574 22 86-01 | 1 | Plate, Skid Gry | |
| 15 | 582 47 87-01 | 2 | Bumper 5/16-18 | |
| 16 | 575 81 15-01 | 2 | Bumper 1/4-20 x 3/8" Stud | |
| 17 | 522 80 14-01 | 2 | Bumper 1/4-20 Male Stud | |
| 18 | 539 10 25-87 | 2 | Bumper, Grommet | |
| 19 | 589 74 52-02 | 1 | Cover, Front Plate Gry | |
| 20 | 582 48 05-02 | 1 | Cross Member, Front Org | |
| 21 | 589 74 40-01 | 2 | Isolator, Footrest | |
| 22 | 539 10 44-11 | 1 | Knob w/Stud | |
| 23 | 591 34 45-01 | 2 | Knob | |
| 24 | 591 10 17-01 | 2 | Pin w/ Lanyard | |
| 25 | 591 10 16-01 | 2 | Pin, Handle | |
| 26 | 582 46 07-02 | 1 | Plate, Battery | |
| 27 | 582 46 06-02 | 1 | Mount, Battery | |
| 28 | 589 50 07-01 | 1 | Mount, Fuse Box | |
| 29 | 539 10 47-63 | 7 | Retainer 5/16-18 U Type | |
| 30 | 589 80 68-01 | 2 | Retainer 3/8-18 U Type | |
| 31 | 539 11 10-28 | 2 | Nutsert 5/16-18 | |
| 32 | 525 61 28-01 | 4 | Bolt 3/8-16 x 1 Hex Flange Hd | |
| 33 | 574 23 38-01 | 2 | Bolt 5/16-18 x 2-1/4 Hex Flange Hd | |
| 34 | 525 54 40-01 | 2 | Bolt 5/16-18 x 1-1/4 Hex Flange Hd Tap | |
| 35 | 539 11 32-26 | 4 | Bolt 5/16-18 x 1 Thread Form | |
| 36 | 577 11 77-01 | 4 | Bolt 3/8-16 x 3 Hex Flange Hd | |
| 37 | 539 10 01-45 | 2 | Bolt 3/8-16 x 2 Round Hd Square Neck | |
| 38 | 872 14 04-04 | 4 | Bolt 1/4-20 x 1/2 Round Hd Square Neck | |
| 39 | 539 11 56-20 | 2 | Bolt 1/4-20 x 3/4 Round Hd Square Neck | |
| 40 | 539 99 03-16 | 14 | Bolt 5/16-18 x 3/4 Round Hd Square Neck | |
| 41 | 539 99 02-08 | 2 | Bolt 5/16-18 x 1 Round Hd Square Neck | |
| 42 | 539 11 03-03 | 4 | Bolt 5/16 Shoulder | |
| 43 | 580 75 46-01 | 6 | Bolt 5/8-11 x 3-1/2 Hex Hd | |
| 44 | 589 79 72-01 | 2 | Screw 3/8-16 x 1 Button Hd Torx | |
| 45 | 817 49 04-08 | 2 | Screw 1/4-20 x 1/2 Thread Roll | |
| 46 | 585 98 61-01 | 2 | Screw 1-1/4 Shakeproof Black | |
| 47 | 525 82 91-01 | 6 | Nut 5/8-11 Hex Flange Nyloc | |
| 48 | 539 97 69-78 | 6 | Nut 1/4-20 Hex Nyloc | |
| 49 | 521 99 65-01 | 12 | Nut 3/8-16 Hex Flange Nyloc | |
| 50 | 539 11 28-99 | 21 | Nut 5/16-18 Hex Flange Nyloc | |
| 51 | 539 10 26-53 | 4 | Washer 5/8 Std Flat | |
| NOT SHOWN | | | | |
| | 590 87 78-03 | 1 | Kit, ROPS Assy Gry | |



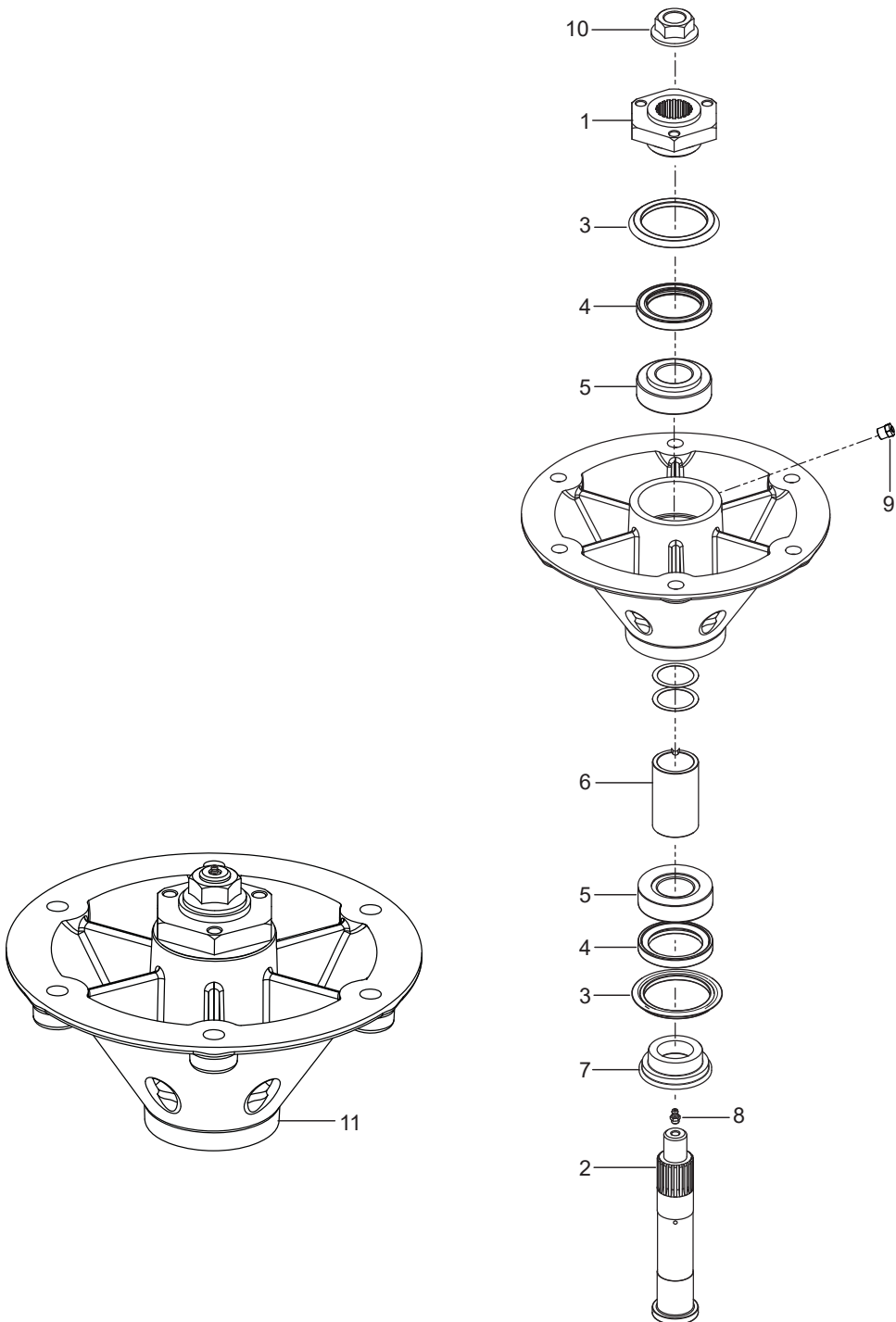
| Ref. | Part No. | Qty | Description | Kit / Assy Includes |
|------|--------------|-----|---|---------------------|
| 1 | 579 86 61-04 | 1 | Seat, Suspension | 12 |
| 2 | 582 47 88-01 | 1 | Bar, Latch Seat | |
| 3 | 582 47 82-01 | 2 | Bracket, Latch | |
| 4 | 590 55 50-02 | 1 | Bracket, Seat Rod | |
| 5 | 590 48 18-01 | 8 | Isolator | |
| 6 | 539 11 63-77 | 4 | Insert, Iso-Mount | |
| 7 | 590 37 35-01 | 1 | Latch, Rotary | |
| 8 | 590 50 68-02 | 1 | Plate, Seat Mount | |
| 9 | 590 50 72-01 | 1 | Rod, Seat | |
| 10 | 539 11 39-52 | 2 | Spring | |
| 11 | 582 47 81-01 | 4 | Coupler 5/16-18 x 1-1/8 Hex | |
| 12 | 532 19 27-49 | 1 | Switch, Seat | |
| 13 | 539 10 83-92 | 4 | Bolt 5/16-18 x 5/8 Hex Hd | |
| 14 | 582 47 89-01 | 2 | Bolt 5/16-18 Threaded x 2-1/2 Shoulder | |
| 15 | 582 47 85-01 | 2 | Bolt 1/4-20 x 1-1/2 Hex Flange Hd Grade 8 | |
| 16 | 539 99 03-16 | 8 | Bolt 5/16-18 x 3/4 Round Hd | |
| 17 | 582 47 86-01 | 2 | Nut 1/4-20 Flange Nyloc Grade 8 | |
| 18 | 539 91 38-47 | 1 | Nut 3/8 Retaining Blk | |
| 19 | 539 11 28-99 | 6 | Nut 5/16-18 Hex Flange Nyloc | |
| 20 | 522 02 34-01 | 2 | Washer 3/8 Thick | |
| 21 | 532 41 35-24 | 8 | Washer 13/32 x 1 x 1/2 | |
| 22 | 539 99 01-18 | 2 | Washer 3/8 Slotted Lock | |
| 23 | 539 99 01-87 | 4 | Washer 5/16 Slotted Lock | |



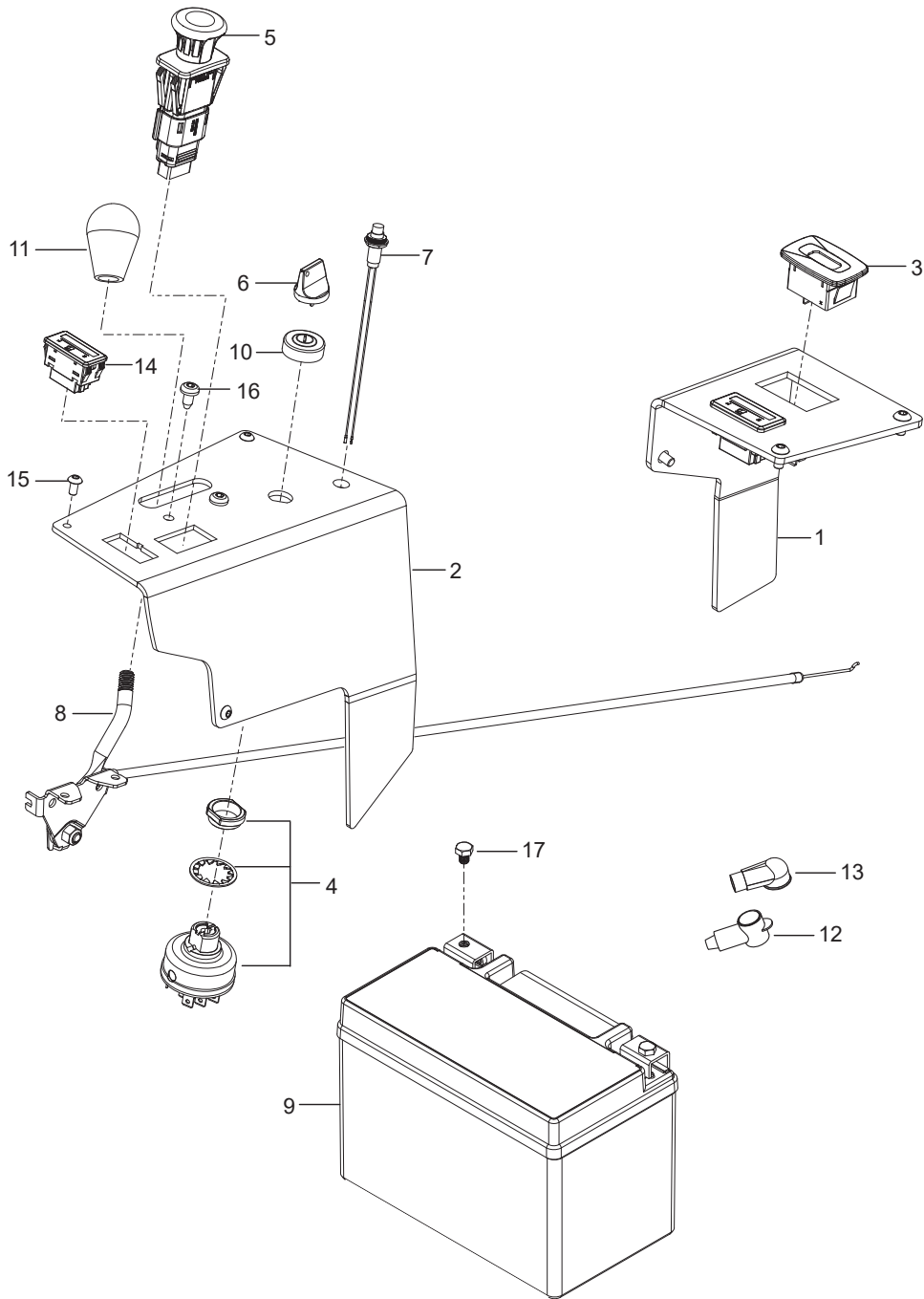
| Ref. | Part No. | Qty | Description | Kit / Assy Includes |
|-----------|--------------|-----|---|---------------------|
| 1 | 582 73 33-02 | 1 | Plate, Engine | |
| 2 | 525 74 95-01 | 1 | Clutch | |
| 3 | 522 67 67-02 | 1 | Stop, Clutch | |
| 4 | 539 11 89-11 | 1 | Pipe 3/8 x 3" | |
| 5 | 522 83 70-01 | 1 | Plug, Drain, 3/8" | |
| 6 | 510 01 98-01 | 1 | Pulley, Engine | |
| 7 | 587 88 60-01 | 1 | Muffler | |
| 8 | 539 10 50-72 | 1 | Elbow 3/8" Npt | |
| 9 | 525 74 99-01 | 1 | Key 1/4 x 3-1/2 | |
| 10 | 505 28 00-01 | 1 | Tie Wrap w/Clip | |
| 11 | 581 33 28-01 | 1 | Bolt 7/16-20 x 1-1/2 Hex Hd Clutch | |
| 12 | 574 23 38-01 | 4 | Bolt 5/16-18 x 2-1/4 Hex Flange Hd | |
| 13 | 539 99 05-63 | 4 | Bolt 3/8-16 x 1 Hex Hd | |
| 14 | 874 78 07-16 | 1 | Bolt 7/16-14 x 1-1/4 Hex Hd | |
| 15 | 539 99 02-08 | 4 | Bolt 5/16-18 x1 Round Hd Square Neck | |
| 16 | 539 10 29 33 | 2 | Bolt 5/16-18 x1-1/2 Round Hd Square Neck | |
| 17 | 539 11 28-99 | 8 | Nut 5/16-18 Hex Flange Nyloc | |
| 18 | 539 10 25-82 | 1 | Nut 7/16-14 Hex Whiz Lock | |
| 19 | 539 12 56-26 | 1 | Washer | |
| 20 | 539 99 02-47 | 1 | Washer 7/16 Slotted Lock Std | |
| 21 | 539 10 25-93 | 4 | Washer 3/8 Spring | |
| NOT SHOWN | | | | |
| ----- | | 1 | Engine, Kohler ECV870 23.1 kW (31 hp) For Engine Replacement Parts, See a Kohler Dealer | |



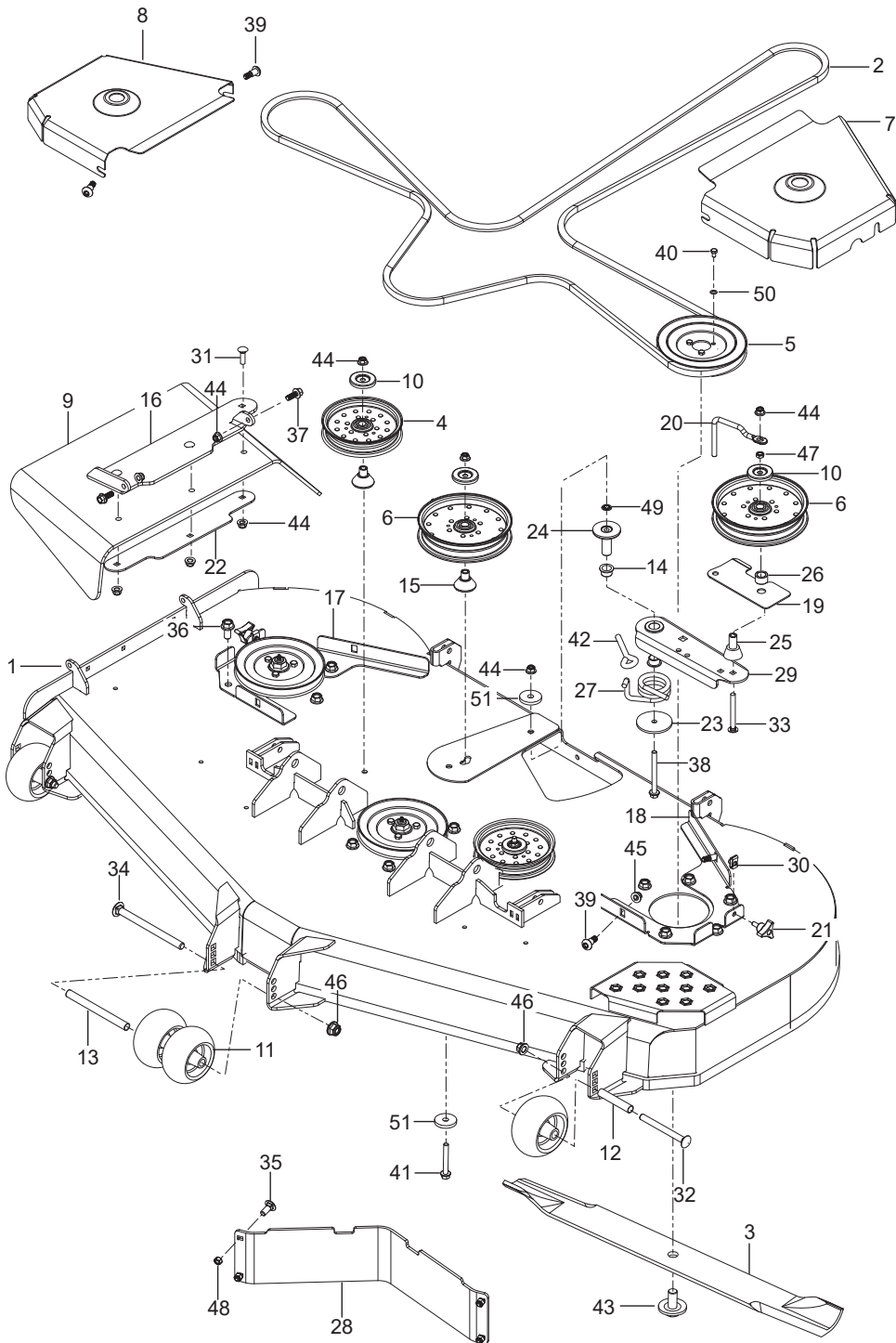
| Ref. | Part No. | Qty | Description | Kit / Assy Includes |
|------------------|--------------|-----|--|---------------------|
| 1 | 580 94 22-01 | 3 | Hub | |
| 2 | 580 94 21-01 | 3 | Shaft, Spindle | |
| 3 | 580 94 27-01 | 3 | Seal, V Ring | |
| 4 | 580 94 26-01 | 6 | Seal, Shaft | |
| 5 | 583 91 11-01 | 3 | Kit, Bearing w/ Shims | 3, 4 |
| 6 | 580 94 23-01 | 3 | Spacer | |
| 7 | 580 94 25-01 | 3 | Carrier, Seal | |
| 8 | 539 97 69-98 | 3 | Zerk | |
| 9 | 539 97 73-26 | 3 | Valve, Grease Poppet | |
| 10 | 539 13 06-53 | 3 | Nut 3/4-16 Hex Flange | |
| 11 | 580 94 33-06 | 3 | Assembly, Spindle Cast Iron | |
| NOT SHOWN | | | | |
| | 574 75 42-01 | 1 | Kit, Bearing Tool | |
| | | | When replacing the spindle bearings, also order the Bearing Tool Kit to assure proper installation | |



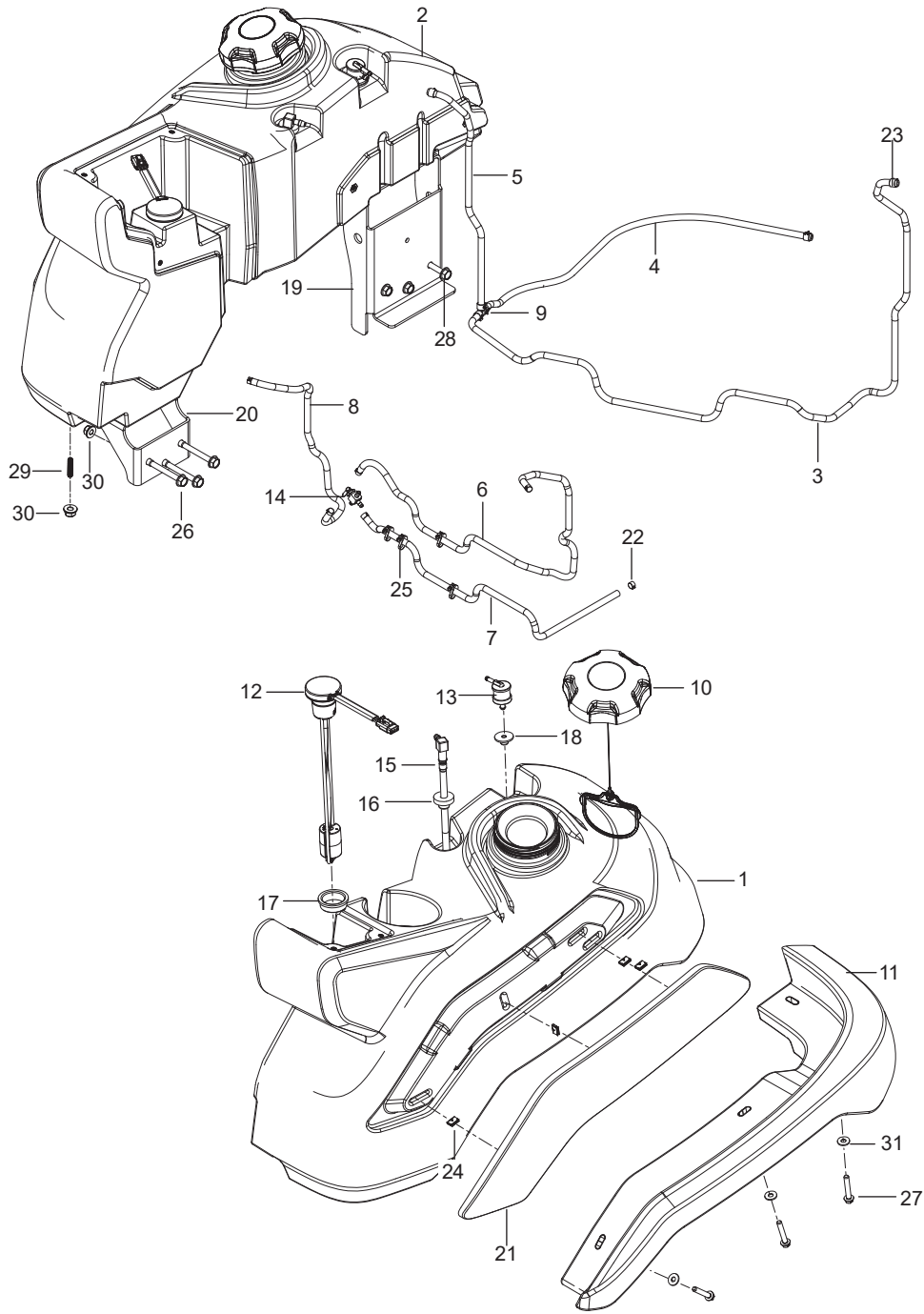
| Ref. | Part No. | Qty | Description | Kit / Assy Includes |
|------|--------------|-----|---------------------------------------|------------------------|
| 1 | 582 47 55-01 | 1 | Lever w/ Grip Left | |
| 2 | 582 47 55-02 | 1 | Lever w/ Grip Right | |
| 3 | 592 65 37-02 | 1 | Assembly, Rod Control Left | 4, 5, 16, 23 |
| | 592 65 37-01 | 1 | Assembly, Rod Control Right | 4, 5, 16, 23 |
| 4 | 588 69 25-02 | 2 | End, Rod Male | |
| 5 | 579 76 46-01 | 2 | End, Rod Female | |
| 6 | 591 19 33-01 | 1 | Bellow, Control Left | 41 |
| 7 | 591 19 33-02 | 1 | Bellow, Control Right | 41 |
| 8 | 592 65 38-01 | 1 | Carrier, Upper w/ Bearings Left | 31 |
| | 592 65 38-02 | 1 | Carrier, Upper w/ Bearings Right | 31 |
| 9 | 592 65 39-01 | 2 | Carrier, Lower w/ Bearings | |
| 10 | 592 72 40-01 | 1 | Assembly, Carrier Left w/ Park Brake | Without 3, 17 |
| | 592 72 40-02 | 1 | Assembly, Carrier Right w/ Park Brake | Without 3, 17 |
| 11 | 592 65 35-01 | 1 | Assembly, Park Brake | 15, 16, 25, 28, 45, 48 |
| 12 | 582 47 78-02 | 1 | Bracket Left | |
| | 582 47 78-04 | 1 | Bracket Right | |
| 13 | 582 47 69-01 | 2 | Bracket, Spring | |
| 14 | 582 47 51-02 | 4 | Bracket, Control | |
| 15 | 532 16 94-84 | 2 | Clip | |
| 16 | 582 55 19-01 | 2 | Clip, Control | |
| 17 | 588 77 54-01 | 2 | Damper | |
| 18 | 582 47 74-01 | 2 | Pin, Clevis | |
| 19 | 589 50 51-01 | 2 | Pivot | |
| 20 | 589 48 96-01 | 2 | Retainer | |
| 21 | 589 50 09-01 | 2 | Switch, Brake NC | |
| 22 | 582 47 50-01 | 2 | Spacer, Pivot | |
| 23 | 582 71 13-03 | 2 | Spacer, Step Up | |
| 24 | 582 47 70-01 | 4 | Spring 1-1/4 x 5 | |
| 25 | 532 15 13-32 | 2 | Spring, Brake | |
| 26 | 582 47 77-01 | 2 | Spring | |
| 27 | 582 47 72-01 | 2 | Yoke, Brake Cable | |
| 28 | 582 47 75-01 | 2 | Cable, Brake | |
| 29 | 539 11 06-07 | 4 | Stud 10mm Ball | |
| 30 | 582 47 76-01 | 2 | Extension | |
| 31 | 582 47 68-01 | 4 | Bearing 1/2 Flange | |
| 32 | 539 13 15-18 | 8 | Bearing, Flange | |
| 33 | 539 11 03-03 | 4 | Bolt 5/16 Shoulder | |
| 34 | 525 54 40-01 | 4 | Bolt 5/16-18 x 1-1/4 Hex Flange Hd | |
| 35 | 525 46 54-01 | 2 | Bolt 5/16-18 x 1-1/2 Hex Flange Hd | |
| 36 | 539 97 69-34 | 4 | Bolt 5/16-18 x 3/4 Hex Hd | |
| 37 | 582 47 71-01 | 4 | Bolt 5/16-18 x 3-1/2 Torx | |
| 38 | 582 47 64-01 | 2 | Bolt 3/8 x 1/2 5/16-18 Shoulder | |
| 39 | 539 11 55-74 | 2 | Bolt 5/16 x 3-1/2 Eye | |
| 40 | 539 99 02-08 | 4 | Bolt 5/15-18 x 1 Round Hd | |
| 41 | 577 11 77-01 | 6 | Bolt 3/8-16 x 3 Hex Flange Hd | |
| 42 | 589 50 56-01 | 2 | Bolt 3/8-16 x 6 | |
| 43 | 582 48 29-01 | 12 | Rivet Pin | |
| 44 | 539 11 28-99 | 14 | Nut 5/16-18 Hex Flange Nyloc | |
| 45 | 539 99 02-23 | 4 | Nut 5/16-24 Hex | |
| 46 | 521 99 65-01 | 6 | Nut 3/8-16 Hex Flange Nyloc | |
| 47 | 539 99 01-84 | 4 | Nut 5/16-18 Hex Center Lock | |
| 48 | 539 99 06-92 | 2 | Washer 5/16 Std Flat | |
| 49 | 539 99 01-87 | 4 | Washer 5/16 Slotted Lock | |
| 50 | 819 11 11-16 | 2 | Washer 11/32 16 Gauge | |
| 51 | 522 02 34-01 | 2 | Washer 3/8 Thick | |



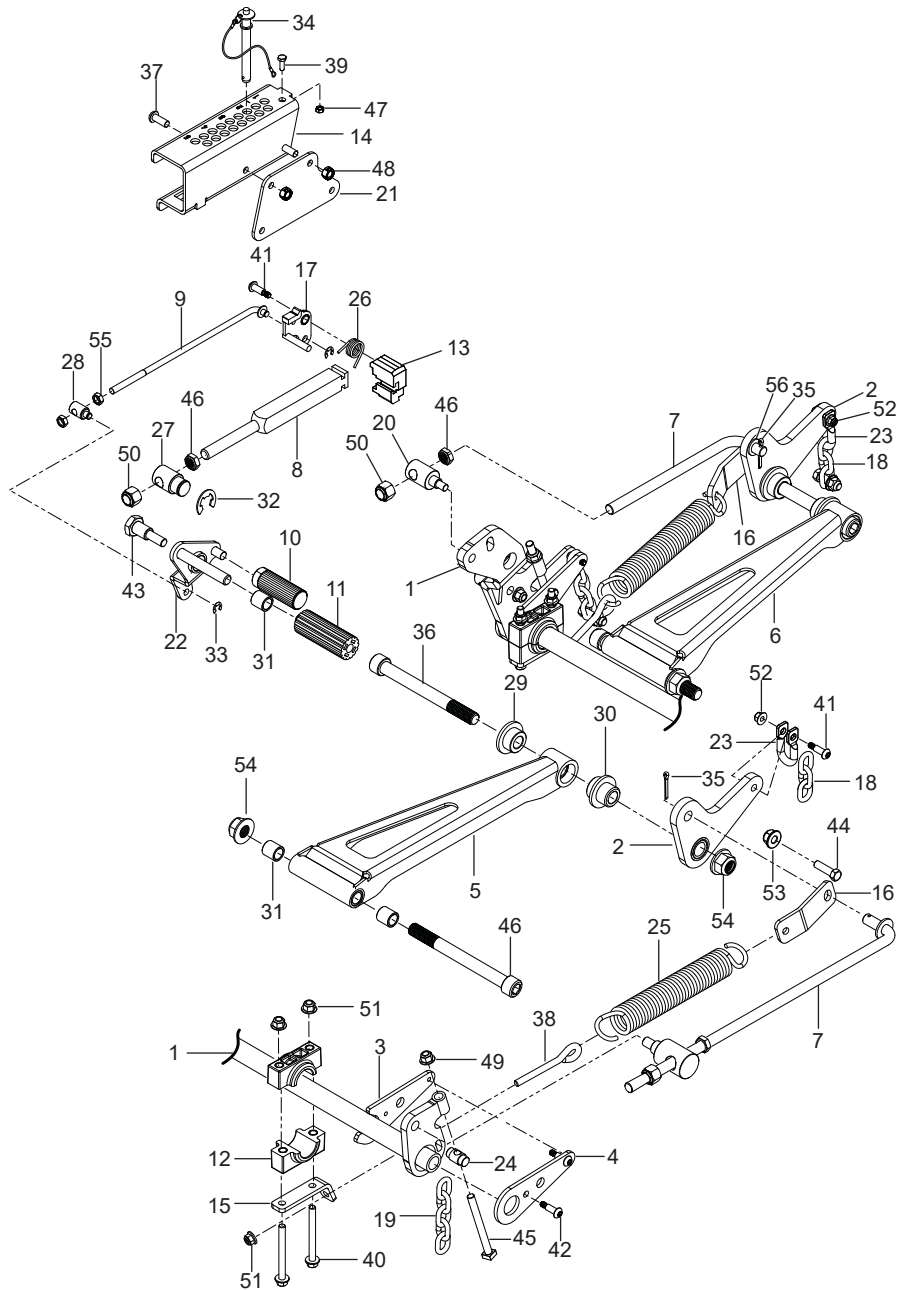
| Ref. | Part No. | Qty | Description | Kit / Assy Includes |
|------|--------------|-----|--|---------------------|
| 1 | 591 35 97-06 | 1 | Deck w/ Safety Decals | |
| 2 | 588 26 48-04 | 1 | Belt, Deck | |
| 3 | 539 10 54-76 | 3 | Blade 25" | |
| 4 | 510 01 96-01 | 2 | Pulley, Idler 6" | |
| 5 | 539 13 06-47 | 3 | Pulley, Deck | |
| 6 | 510 01 51-01 | 2 | Pulley, Idler 7" | |
| 7 | 582 46 30-03 | 1 | Shield, Belt (Right, 72" Only) | |
| 8 | 582 46 30-04 | 1 | Shield, Belt (Left, 72" Only) | |
| 9 | 582 46 88-01 | 1 | Shield, Deflector | |
| 10 | 510 25 45-01 | 4 | Shield, Dust | |
| 11 | 574 16 96-01 | 6 | Roller, Gauge | |
| 12 | 574 19 64-01 | 4 | Tube, Roller 3-3/8" | |
| 13 | 574 19 65-01 | 1 | Tube, Roller 6-3/4" | |
| 14 | 539 13 15-18 | 2 | Bearing, Flange | |
| 15 | 510 26 37-01 | 3 | Bearing, Idler | |
| 16 | 582 46 73-02 | 1 | Bracket, Deflector Org | |
| 17 | 582 46 32-03 | 1 | Bracket, Pulley Cover (Right, 72" Only) | |
| 18 | 582 46 32-04 | 1 | Bracket, Pulley Cover (Left, 72" Only) | |
| 19 | 582 47 25-02 | 1 | Guard, Belt | |
| 20 | 582 47 02-01 | 1 | Keeper, Belt | |
| 21 | 539 10 44-11 | 2 | Knob w/ Stud | |
| 22 | 590 52 37-02 | 1 | Plate, Backing Discharge Blk | |
| 23 | 582 46 64-01 | 1 | Plate, Spring Retainer | |
| 24 | 582 46 81-01 | 1 | Shaft Mount Arm Idler | |
| 25 | 582 46 83-01 | 1 | Spacer | |
| 26 | 589 45 52-01 | 1 | Spacer, Pulley | |
| 27 | 582 46 80-01 | 1 | Spring, Deck Idler | |
| 28 | 574 22 18-02 | 2 | Baffle, Blk | |
| 29 | 582 46 27-02 | 1 | Arm, Idler | |
| 30 | 539 10 47-63 | 2 | Retainer-U Type 5/16-18 | |
| 31 | 872 14 06-10 | 3 | Bolt 3/8-16 x 1-1/4 Round Hd Square Neck | |
| 32 | 510 02 23-01 | 4 | Bolt 1/2-13 x 4-75 Round Hd Square Neck | |
| 33 | 872 14 06-28 | 1 | Bolt 3/8-16 x 3-1/2 Round Hd Square Neck | |
| 34 | 872 14 08-64 | 1 | Bolt 1/2-13 x 8 Round Hd Square Neck | |
| 35 | 539 11 56-20 | 8 | Bolt 1/4-20 x 3/4 Round Hd Square Neck | |
| 36 | 574 21 06-01 | 18 | Bolt 1/2-13 x 1 Hex Flange Hd | |
| 37 | 525 61 28-01 | 2 | Bolt 3/8-16 x 1 Hex Flange Hd | |
| 38 | 521 99 66-01 | 1 | Bolt 3/8-16 x 4 Hex Flange Hd | |
| 39 | 582 47 64-01 | 4 | Bolt 3/8 x 1/2 5/16-18 Shoulder | |
| 40 | 539 13 03-15 | 9 | Bolt 5/16-18 x 1/2 Hex Hd | |
| 41 | 874 49 06-44 | 3 | Bolt 3/8-16 x 2-3/4 Hex Flange Hd | |
| 42 | 574 20 20-01 | 1 | Eye Bolt 3/8 x 4 | |
| 43 | 539 11 90-07 | 3 | Bolt/Washer, Blade | |
| 44 | 521 99 65-01 | 11 | Nut 3/8-16 Hex Flange Nyloc | |
| 45 | 539 11 28-99 | 4 | Nut 5/16-18 Hex Flange Nyloc | |
| 46 | 521 99 11-01 | 5 | Nut, 1/2-13 Hex Flange Nyloc | |
| 47 | 539 10 93-32 | 1 | Nut 3/8-16 Hex Jam | |
| 48 | 539 97 69-78 | 8 | Nut 1/4-20 Hex Nyloc | |
| 49 | 539 91 38-47 | 1 | Nut 3/8 Retaining Blk | |
| 50 | 539 10 96-00 | 9 | Washer 5/16 Disc Spring | |
| 51 | 539 10 65-04 | 4 | Washer, Hardened | |



| Ref. | Part No. | Qty | Description | Kit / Assy Includes |
|-----------|--------------|-----|--------------------------------|---------------------|
| 1 | 582 48 39-02 | 1 | Panel, Control Left Gry | |
| 2 | 582 48 36-02 | 1 | Panel, Control Right Gry | |
| 3 | 586 16 18-01 | 1 | Meter, Service | |
| 4 | 574 45 54-01 | 1 | Switch, Ignition | |
| 5 | 589 88 72-01 | 1 | Switch, Blade | |
| 6 | 574 45 55-01 | 1 | Key, Ignition | |
| 7 | 581 87 83-01 | 1 | Light, Service | |
| 8 | 582 12 03-01 | 1 | Control, Throttle 46" | |
| 9 | 589 81 95-01 | 1 | Battery, 12V | |
| 10 | 539 10 31-78 | 1 | Cap, Switch | |
| 11 | 539 13 26-24 | 1 | Knob | |
| 12 | 539 10 27-59 | 1 | Insulator | |
| 13 | 582 03 12-01 | 1 | Boot | |
| 14 | 592 87 27-01 | 2 | Gauge, Fuel | |
| 15 | 539 11 43-41 | 6 | Screw #10-24 x 3/8 Socket Head | |
| 16 | 532 19 98-55 | 2 | Screw 1/4-20 Panhead | |
| 17 | 582 46 08-01 | 2 | Screw M6 x 8MM Hex | |
| NOT SHOWN | | | | |
| | 593 77 78-02 | 1 | Harness, Main (EFI) | |
| | 574 51 40-01 | 1 | Timer, Seat | |
| | 590 63 21-01 | 1 | Cables, Battery Red/Blk | |

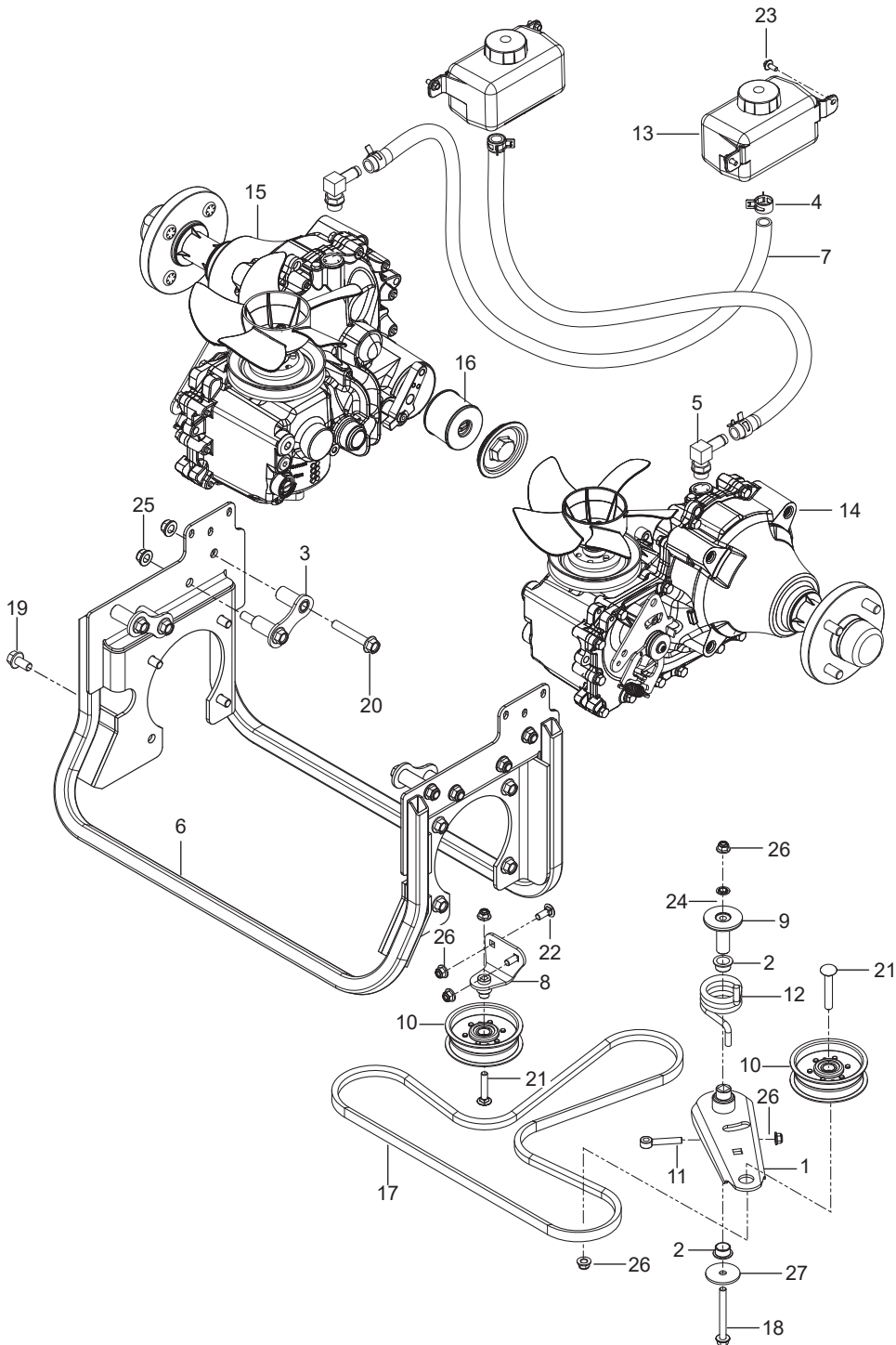


| Ref. | Part No. | Qty | Description | Kit / Assy Includes |
|------|--------------|-----|-------------------------------------|---------------------|
| 3 | 582 46 54-02 | 2 | Arm, Deck Lift Inner Blk | |
| 4 | 582 46 39-02 | 2 | Arm, Deck Lift Outer Blk | |
| 5 | 582 46 20-01 | 1 | Arm, Drawbar Left | |
| 6 | 582 46 20-02 | 1 | Arm, Drawbar Right | |
| 7 | 582 46 46-01 | 2 | Rod Connecting | |
| 8 | 582 47 28-01 | 1 | Rod Height Gauge | |
| 9 | 582 47 14-01 | 1 | Rod Release Connecting Toe | |
| 10 | 510 40 83-01 | 1 | Pedal, Deck Height | |
| 11 | 510 08 95-01 | 1 | Pedal, Deck Release | |
| 12 | 510 02 39-02 | 4 | Block, Pillow | |
| 13 | 582 46 72-01 | 1 | Block, Rod End | |
| 14 | 582 46 69-02 | 1 | Bracket, Height Org | |
| 15 | 582 46 89-02 | 2 | Bracket, Pillow Block Black | |
| 16 | 589 45 41-03 | 1 | Bracket, Spring HD Left | |
| 17 | 589 45 41-04 | 1 | Bracket, Spring HD Right | |
| 18 | 592 65 41-01 | 1 | Lever, Lock w/ Bearing | |
| 19 | 539 10 96-93 | 2 | Chain 3" 3 Link Lift | |
| 20 | 539 10 26-41 | 2 | Chain 5" 3 Link Lift | |
| 21 | 582 46 48-01 | 2 | Pivot 3" Connecting Rod | |
| 22 | 582 76 39-02 | 1 | Plate, Height Gauge | |
| 23 | 589 45 32-01 | 1 | Assy, Release Pedal | 11, 31 |
| 24 | 582 46 90-01 | 2 | Shackle, Chain | |
| 25 | 582 46 42-01 | 2 | Trunnion | |
| 26 | 593 09 18-01 | 2 | Spring, Lift HD | |
| 27 | 582 47 13-01 | 1 | Spring, Torsion | |
| 28 | 582 46 70-01 | 1 | Swivel, Height Bar | |
| 29 | 582 46 71-01 | 1 | Swivel, Top Release | |
| 30 | 582 46 99-01 | 2 | Bushing 1-3/8 Deck Inner | |
| 31 | 582 46 98-01 | 2 | Bushing 1-1/2 Deck Outer | |
| 32 | 510 08 92-01 | 5 | Bushing 3/4 x 1 Sleeve | |
| 33 | 539 91 27-30 | 1 | E-Ring 1/2 | |
| 34 | 539 99 08-70 | 2 | E-Ring 3/8 | |
| 35 | 590 46 55-01 | 1 | Pin 3-1/2 Height Adjust | |
| 36 | 539 10 28-89 | 2 | Pin 1/8 x 2 Cotter | |
| 37 | 582 46 67-01 | 4 | Bolt 3/4-10 x 7-1/2 Socket Hd | |
| 38 | 582 47 26-01 | 2 | Bolt 3/8-16 x 1 Button Hd | |
| 39 | 574 20 20-01 | 2 | Bolt 3/8 x 4 Eye | |
| 40 | 539 99 05-80 | 1 | Bolt 1/4-20 x 3/4 Hex Hd | |
| 41 | 589 78 60-01 | 4 | Bolt 3/8-16 x 3-3/4 Grade 8 | |
| 42 | 501 06 41-02 | 3 | Bolt 5/16-18 x 1 Shoulder | |
| 43 | 501 06 41-01 | 4 | Bolt 5/16-18 x 7/8 Shoulder | |
| 44 | 510 40 82-01 | 1 | Bolt 1/2-13 x 2-1/2 Shoulder | |
| 45 | 539 10 11-75 | 4 | Bolt 7/16-14 x 1-1/2 Hex Hd | |
| 46 | 582 46 56-01 | 2 | Bolt 7/16-14 x 4-1/2 Square Hd Gr 8 | |
| 47 | 589 67 77-01 | 3 | Nut 5/8-11 Hex Thin Nyloc | |
| 48 | 539 97 69-78 | 1 | Nut 1/4-20 Hex | |
| 49 | 539 99 05-46 | 2 | Nut 3/8-16 Hex Center Lock | |
| 50 | 539 11 91-24 | 4 | Nut 7/16-14 Hex Nyloc | |
| 51 | 539 11 03-40 | 3 | Nut 5/8-11 Nyloc | |
| 52 | 521 99 65-01 | 6 | Nut 3/8-16 Hex Flange Nyloc | |
| 53 | 539 11 28-99 | 2 | Nut 5/16-18 Hex Flange Nyloc | |
| 54 | 539 13 20-19 | 4 | Nut 7/16-14 Hex Whiz Lock | |
| 55 | 582 46 66-01 | 4 | Nut 3/4-10 Hex Flange Nyloc | |
| 56 | 539 10 87-32 | 2 | Nut 3/8-24 Hex Jam Unf | |
| 57 | 539 99 10-43 | 2 | Washer 16 Gauge | |

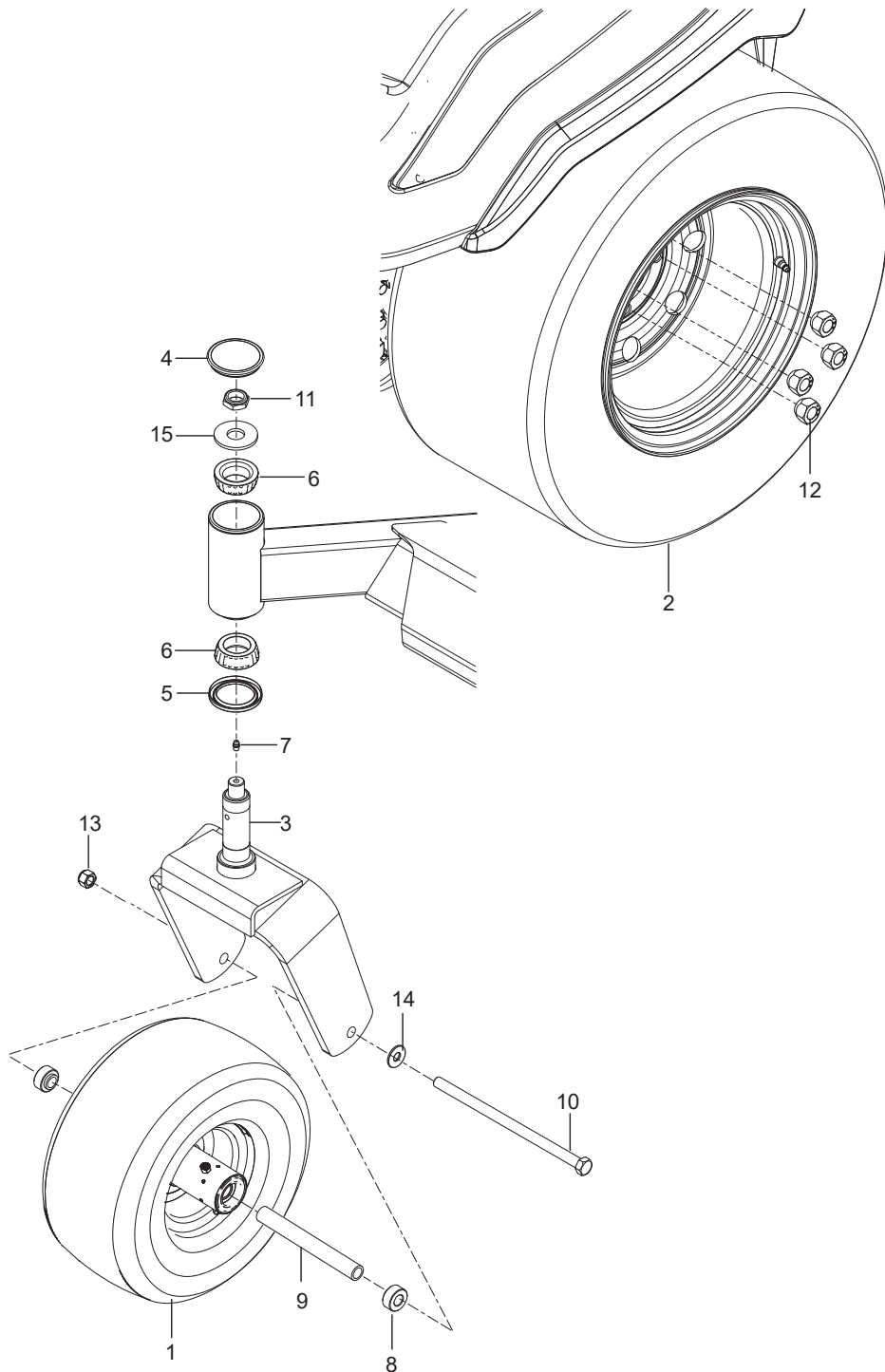


| Ref. | Part No. | Qty | Description | Kit / Assy Includes |
|------|--------------|-----|----------------------------------|----------------------------|
| 1 | 582 48 31-05 | 1 | Assy, Tank Left | 10, 12, 13, 15, 16, 17, 18 |
| 2 | 582 48 17-05 | 1 | Assy, Tank Right | 10, 12, 13, 15, 16, 17, 18 |
| 3 | 587 04 45-50 | 1 | Hose 3/16 x 50" Vapor | |
| 4 | 587 04 45-26 | 1 | Hose 3/16 x 26" Vapor | |
| 5 | 587 04 45-17 | 1 | Hose 3/16 x 17" Vapor | |
| 6 | 587 04 48-46 | 1 | Hose 1/4 x 46" Fuel | |
| 7 | 587 04 48-33 | 1 | Hose 1/4 x 33" Fuel | |
| 8 | 587 04 48-24 | 1 | Hose 1/4 x 24" Fuel | |
| 9 | 574 20 66-02 | 1 | Tee 3/16 Fuel Line | |
| 10 | 575 01 81-01 | 2 | Cap, Fuel | |
| 11 | 582 48 33-01 | 1 | Guard, Mud Left | |
| | 582 48 23-01 | 1 | Guard, Mud Right | |
| 12 | 590 63 88-01 | 2 | Sensor, Fuel Level | |
| 13 | 576 61 81-01 | 2 | Valve, Roll Over | |
| 14 | 539 10 26-79 | 1 | Valve, Fuel | |
| 15 | 525 86 54-02 | 1 | Assy, Fuel Tube Left | |
| | 525 86 54-03 | 1 | Assy, Fuel Tube Right | |
| 16 | 532 00 36-45 | 2 | Grommet, Fuel | |
| 17 | 590 20 91-01 | 2 | Grommet, Fuel Sensor | |
| 18 | 584 64 82-01 | 2 | Grommet, Valve | |
| 19 | 582 48 15-02 | 2 | Bracket, Tank Rear | |
| 20 | 582 48 16-02 | 2 | Support, Fuel Tank Front | |
| 21 | 582 48 34-01 | 1 | Cover, Fuel Tank Left | |
| | 582 48 24-01 | 1 | Cover, Fuel Tank Right | |
| 22 | 539 91 22-22 | 6 | Clamp, Hose | |
| 23 | 575 43 65-01 | 6 | Clamp, Hose | |
| 24 | 582 48 26-01 | 8 | Clip | |
| 25 | 505 28 00-01 | 5 | Tie w/ Clip | |
| 26 | 874 49 05-48 | 6 | Bolt 5/16-18 x 3 Hex Flange Head | |
| 27 | 590 25 73-01 | 6 | Screw 1/4-20 x 1-1/2 Hex Head | |
| 28 | 817 49 05-16 | 6 | Screw 5/16-18 x1 Hex Washer | |
| 29 | 582 48 42-01 | 8 | Screw 5/16-18 x 1-1/4 Set | |
| 30 | 539 11 28-99 | 20 | Nut 5/16-18 Hex Flange Nyloc | |
| 31 | 532 12 66-84 | 6 | Washer, Shim | |

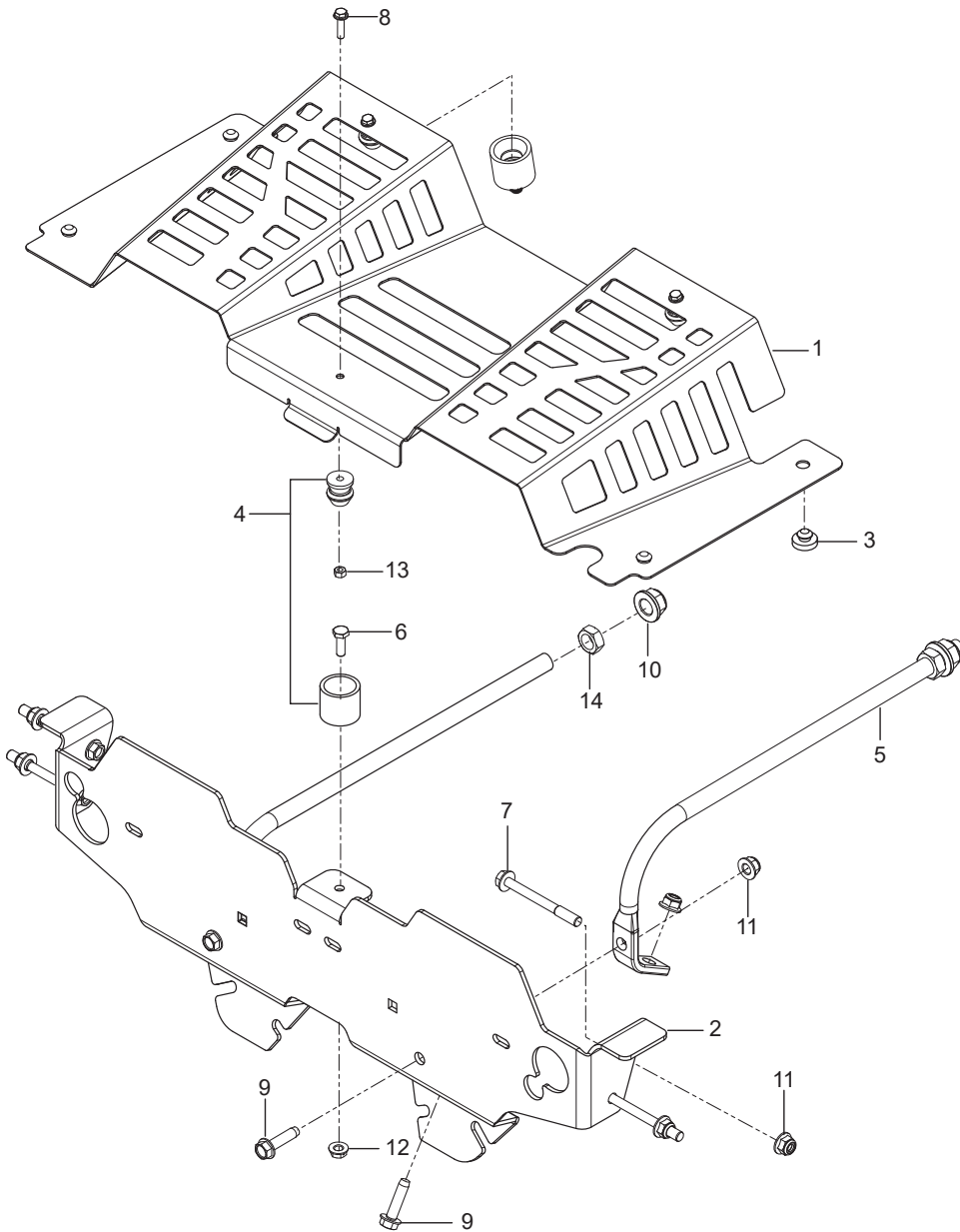
| Ref. | Part No. | Qty | Description | Kit / Assy Includes |
|------|--------------|-----|------------------------------------|---------------------|
| 1 | 582 46 26-02 | 1 | Shaft, Front Deck Lift | |
| 2 | 592 65 40-02 | 1 | Arm, Bell Crank Rear w/ Bearing RT | |
| | 592 65 40-01 | 1 | Arm, Bell Crank Rear w/ Bearing LT | |



| Ref. | Part No. | Qty | Description | Kit / Assy Includes |
|------|--------------|-----|-----------------------------------|---------------------|
| 1 | 510 15 46-01 | 2 | Assembly, Tire 13 x 6.5 Flat Free | |
| 2 | 539 10 54-86 | 2 | Assembly, Tire 24 x 12-12 | |
| 3 | 525 61 19-02 | 2 | Yoke, Caster, Org | |
| 4 | 510 03 40-01 | 2 | Cap, Dust | |
| 5 | 510 03 43-01 | 2 | Seal, Bearing | |
| 6 | 510 03 44-03 | 4 | Cone | |
| 7 | 539 10 14-74 | 2 | Zerk | |
| 8 | 590 69 07-01 | 4 | Spacer, Axle | |
| 9 | 590 70 49-01 | 2 | Spacer, Hub | |
| 10 | 539 10 55-17 | 2 | Bolt 1/2-13 x 9-1/2 Hex Nyloc | |
| 11 | 522 84 26-01 | 2 | Nut 3/4-16 Hex Thin Nyloc | |
| 12 | 587 65 39-02 | 8 | Nut 1/2-20 Lug Grade 8 | |
| 13 | 873 93 08-00 | 2 | Nut 1/2-13 Hex Center Lock | |
| 14 | 539 99 02-50 | 2 | Washer 1/2 SAE | |
| 15 | 574 82 47-01 | 2 | Washer 3/4 Hardened | |



| Ref. | Part No. | Qty | Description | Kit / Assy Includes |
|------|--------------|-----|--|---------------------|
| 1 | 582 46 31-02 | 1 | Arm, Idler | |
| 2 | 501 60 37-01 | 2 | Bearing, Flanged | |
| 3 | 582 47 91-02 | 4 | Bracket | |
| 4 | 582 48 01-01 | 4 | Clamp 15/16" | |
| 5 | 529 31 14-01 | 2 | Fitting | |
| 6 | 582 47 94-04 | 1 | Frame | |
| 7 | 582 48 02-04 | 2 | Hose 5/8" x 27" | |
| 8 | 586 93 38-02 | 1 | Mount, Idler | |
| 9 | 582 46 81-01 | 1 | Mount, Idler Arm | |
| 10 | 587 65 41-01 | 2 | Pulley, Idler | |
| 11 | 582 71 62-01 | 1 | Rod End 3/8-16 x 3 | |
| 12 | 582 46 84-01 | 1 | Spring, Torsion | |
| 13 | 574 49 92-01 | 2 | Tank, Expansion | |
| 14 | 582 48 00-01 | 1 | Transmission ZT-5400 Left | |
| 15 | 582 48 00-02 | 1 | Transmission ZT-5400 Right | |
| 16 | 576 12 72-01 | 1 | Filter w/ O-Ring | |
| 17 | 582 48 04-02 | 1 | V-Belt | |
| 18 | 874 49 06-52 | 1 | Bolt 3/8-16 x 3-1/2 Hex Flange Hd | |
| 19 | 574 21 06-01 | 8 | Bolt 1/2-13 x 1 Hex Flange Hd | |
| 20 | 525 82 89-01 | 8 | Bolt 1/2-13 x 3 Hex Flange Hd | |
| 21 | 539 10 01-45 | 2 | Bolt 3/8-16 x 2 Round Hd Square Neck | |
| 22 | 539 99 06-45 | 2 | Bolt 3/8-16 x 1 R Round Hd Square Neck | |
| 23 | 532 16 58-57 | 4 | Screw Hex Washer Hd Torx | |
| 24 | 539 91 38-47 | 1 | Nut 3/8 Retaining Blk | |
| 25 | 521 99 11-01 | 8 | Nut 1/2-13 Hex Flange Nyloc | |
| 26 | 521 99 65-01 | 6 | Nut 3/8-16 Hex Flange Nyloc | |
| 27 | 819 13 32-10 | 1 | Washer 10 Gauge | |



| Ref. | Part No. | Qty | Description | Kit / Assy Includes |
|------|--------------|-----|-----------------------------------|---------------------|
| 1 | 591 35 99-01 | 1 | Shield, Fan w/ Safety Decal | |
| 2 | 582 46 12-06 | 1 | Bracket Org | |
| 3 | 539 10 25-87 | 4 | Grommet, Bumper | |
| 4 | 582 46 17-01 | 3 | Assy Holder | |
| 5 | 582 46 13-03 | 2 | Rod | |
| 6 | 874 78 04-12 | 3 | Bolt 1/4-20 x 3/4 Hex Hd | |
| 7 | 874 49 05-48 | 4 | Bolt 5/16-18 x 3 Hex Flange Hd | |
| 8 | 503 20 00-01 | 3 | Screw M5 x 20/20 10 9 | |
| 9 | 587 59 21-01 | 4 | Screw 5/16-18 x 1-1/4 Thread roll | |
| 10 | 521 99 11-01 | 2 | Nut 1/2-13 Hex Flange Nyloc | |
| 11 | 539 11 28-99 | 8 | Nut 5/16-18 Hex Flange Nyloc | |
| 12 | 532 19 17-30 | 3 | Nut 1/4-20 Hex Flange Center Lock | |
| 13 | 731 23 14-05 | 3 | Nut-M5 x 8 Hex | |
| 14 | 873 35 08-00 | 2 | Nut 1/2-13 Jam Hex | |