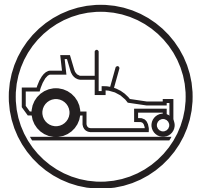




**Husqvarna**<sup>®</sup>



## **Parts Manual**

**M-ZT 61 / 967 844201-00**

Please read the operator manual carefully  
and make sure you understand the instructions  
before using the machine.

Gasoline containing a maximum of 10% ethanol (E10)  
is permitted for use in this machine.  
The use of gasoline with more than 10% ethanol  
(E10) will void the product warranty.



When you need spare parts or support in service questions, warranty issues, etc., please consult the following professional:

This manual belongs to the machine with the manufacturing number:	Engine	Transmission

### **Manufacturing Number**

The machine's manufacturing number can be found on the printed plate affixed to the engine compartment.

Stated on the plate, from the top are:

- The machine's type designation (I.D.).
- The manufacturer's type number (Model).
- The machine's serial number (Serial no.)

*Please have the type designation and serial number available when ordering spare parts.*

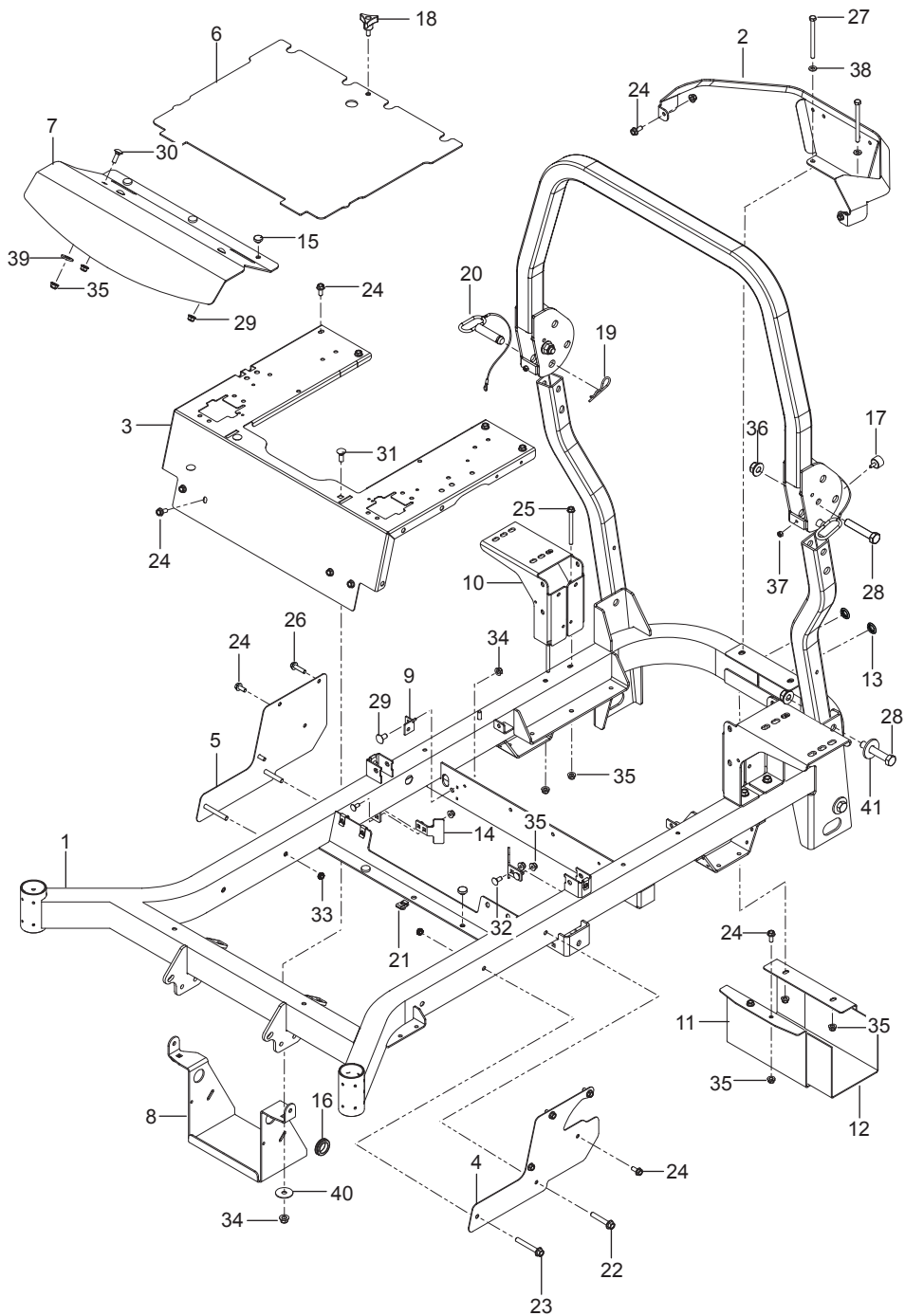
## CONTENTS

FRAME .....	4
ENGINE MOUNTING, GUARDS & MUFFLER .....	6
STEERING .....	8
IGNITION SYSTEM.....	10
BRAKE / LIFT .....	12
HYDRAULIC PUMP-MOTOR.....	14
HYDRAULIC PUMP DRIVE .....	16
WHEELS & TIRES .....	18
MOWER LIFT / DECK LIFT.....	20
MOWER DECK / CUTTING DECK .....	22
SEAT .....	24
DECALS .....	26

Illustrations may or may not represent the actual assemblies and it is not recommended to use this manual as a guide to assemble or disassemble the mower.

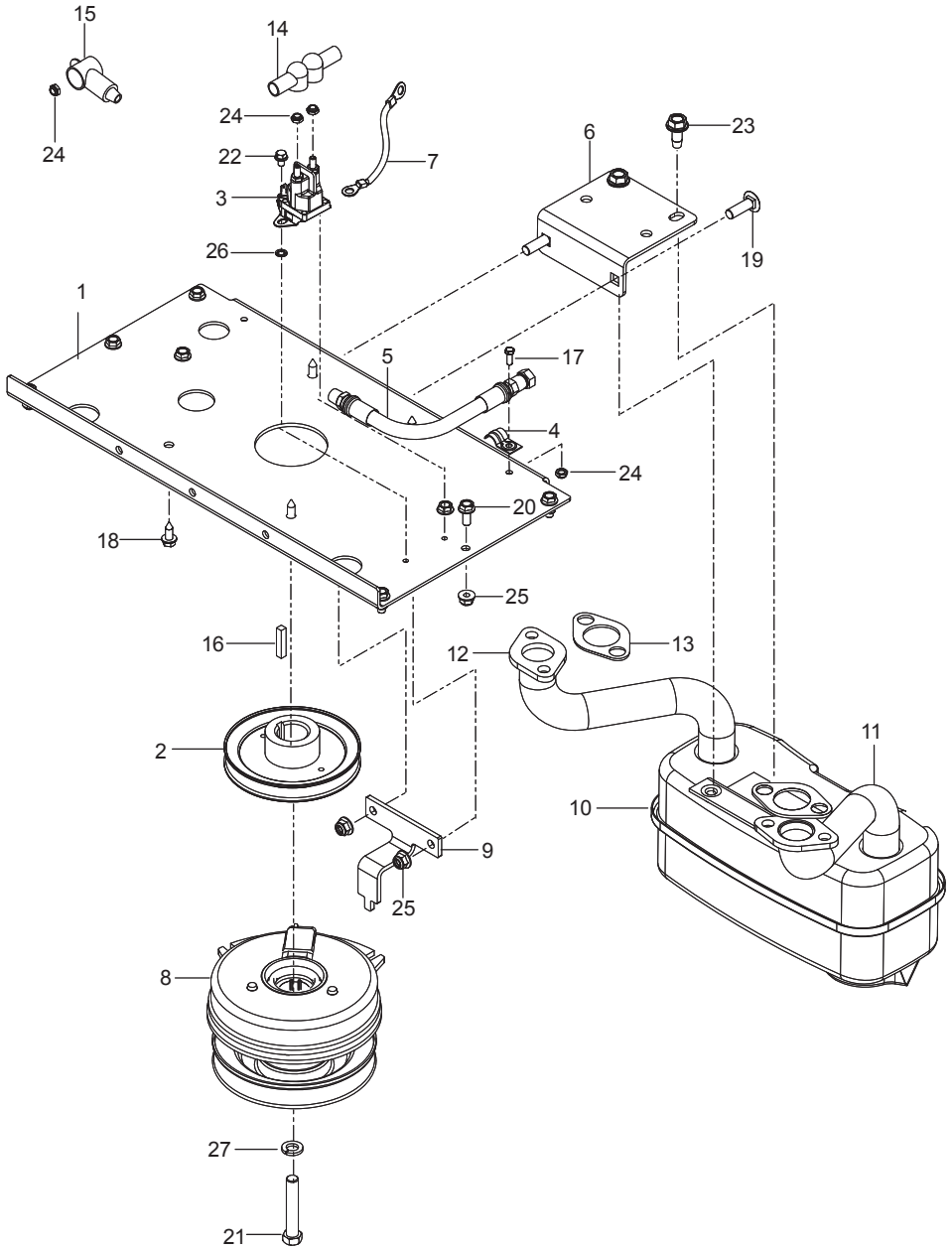
NOTE: All fasteners are Grade 5 unless otherwise specified.

# FRAME



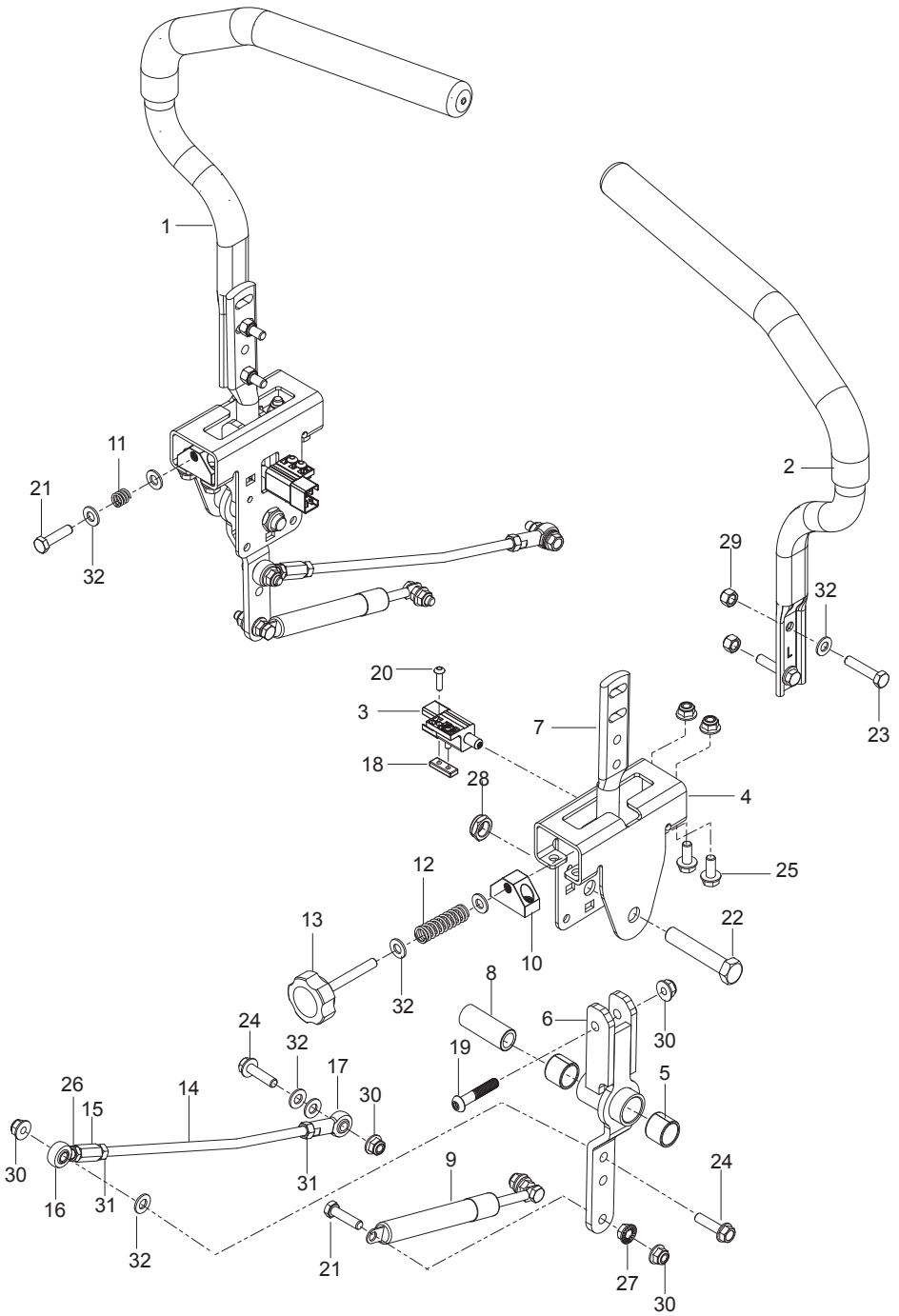
Ref.	Part No.	Qty	Description	Kit / Assy Includes
1	501 65 60-01	1	Frame w/ Safety Decals Org	
2	586 89 30-02	1	Guard, Rear Gry	
3	586 86 77-02	1	Support, Seat Org	
4	539 13 15-77	1	Side, Left Org	
5	539 13 15-79	1	Side, Right Org	
6	539 13 27-44	1	Plate w/ Safety Decal	
7	539 13 23-80	1	Plate, Footrest Org	
8	587 04 87-02	1	Bracket, Battery Blk	
9	575 24 52-01	2	Bracket, Dampener	
10	575 53 36-02	2	Mount, Tank Blk	
11	575 23 04-02	1	Shield, Muffler Blk	
12	539 13 28-59	1	Shield, Heat	
13	587 99 05-01	2	Plug, Frame	
14	505 25 64-01	2	Stop, Deck	
15	539 10 25-87	7	Grommet, Bumper	
16	539 10 59-74	1	Grommet, Rubber	
17	522 80 14-01	2	Bumper w/ Stud 1/4-20	
18	539 10 44-11	1	Knob w/ Stud	
19	539 20 07-15	2	Pin 2-15/16 Hair	
20	574 38 80-01	2	Pin, ROPS	
21	539 10 47-63	1	Retainer, U Type 5/16-18	
22	539 13 30-06	2	Bolt 3/8-16 x 2 1/2 Hex Flange Head	
23	874 49 06-44	2	Bolt 3/8-16 x 2-3/4 Hex Flange Head	
24	874 49 05-12	18	Bolt 5/16-18 x 3/4 Hex Flange Head	
25	874 49 05-60	4	Bolt 5/16-18 x 3-3/4 Hex Flange Head	
26	525 54 40-01	1	Bolt 5/16-18 x 1-1/4 Hex Flange Head	
27	539 10 23-35	2	Bolt 5/16-18 x 4 Hex Head	
28	580 75 46-01	6	Bolt 5/8-11 x 3-1/2 Hex Head	
29	872 05 06-06	2	Bolt 3/8-16 x 3/4 Round Head Square Neck	
30	539 99 02-08	3	Bolt 5/16-18 x 1 Round Head Square Neck	
31	539 99 06-45	2	Bolt 3/8-16 x 1 Round Head Square Neck	
32	539 99 03-16	4	Bolt 5/16-18 x 3/4 Round Head Square Neck	
33	539 20 02-82	6	Nut 3/8-16 Hex Jam Nyloc	
34	521 99 65-01	4	Nut 3/8-16 Hex Flange Nyloc	
35	539 11 28-99	11	Nut 5/16-18 Hex Flange Nyloc	
36	525 82 91-01	6	Nut 5/8-11 Hex Flange Nyloc	
37	539 97 69-78	2	Nut 1/4 x 20 Hex Nyloc	
38	819 11 11-16	2	Washer 5/16 SAE Flat Thick	
39	539 99 02-50	1	Washer	
40	819 13 24-16	2	Washer 16 Gauge Flat	
41	539 10 26-53	4	Washer 5/8 Std Flat	
	NOT SHOWN			
	575 62 37-01	1	Assembly, ROPS	

# ENGINE MOUNTING, GUARDS & MUFFLER



Ref.	Part No.	Qty	Description	Kit / Assy Includes
1	586 65 14-02	1	Plate, Engine, Blk	
2	574 81 10-01	1	Pulley, Drive	
3	582 04 28 01	1	Solenoid	
4	539 10 13-63	1	Clamp	
5	584 82 55-01	1	Assy, Drain Hose	
6	575 22 99-02	1	Bracket, Muffler	
7	539 10 27-57	1	Cable, Positive	
8	574 60 70-01	1	Clutch	
9	575 01 73-01	1	Stop, Clutch Blk	
10	539 13 16-04	1	Muffler	
11	583 95 45-01	1	Exhaust Tube, LT	
12	583 95 48-01	1	Exhaust Tube, RT	
13	586 83 97-01	2	Gasket, Muffler	
14	532 13 15-63	2	Insulator	
15	539 10 27-59	1	Insulator	
16	539 91 27-57	1	Key 1/4 Sq x 1-1/4	
17	539 99 00-71	1	Bolt 1/4-20 x 1/2 Hex Hd	
18	817 12 06-16	4	Screw 3/8-16 x 1 Hex Hd Tap	
19	539 10 72-71	2	Bolt 5/16-18 x 1 Round Hd Square Neck	
20	874 49 05-12	8	Bolt 5/16-18 x 3/4 Hex Flange Hd	
21	581 33 28-02	1	Bolt 7/16-20 x 2-1/2 Hex Hd	
22	539 99 03-02	1	Screw 1/4-20 x 3/8 Thread Form	
23	539 10 74-75	2	Screw 5/16-18 x 3/4 Thread Form	
24	539 10 81-20	4	Nut 1/4-20 Hex Thin	
25	539 11 28-99	10	Nut 5/16-18 Hex Flange Nyloc	
26	539 99 00-53	1	Washer 1/4 Internal Tooth Lock	
27	539 99 02-47	1	Washer 7/16 Slotted	
NOT SHOWN				
-----			Engine, Kohler ZT740 25 HP For Engine replacement parts, See a Kohler dealer	

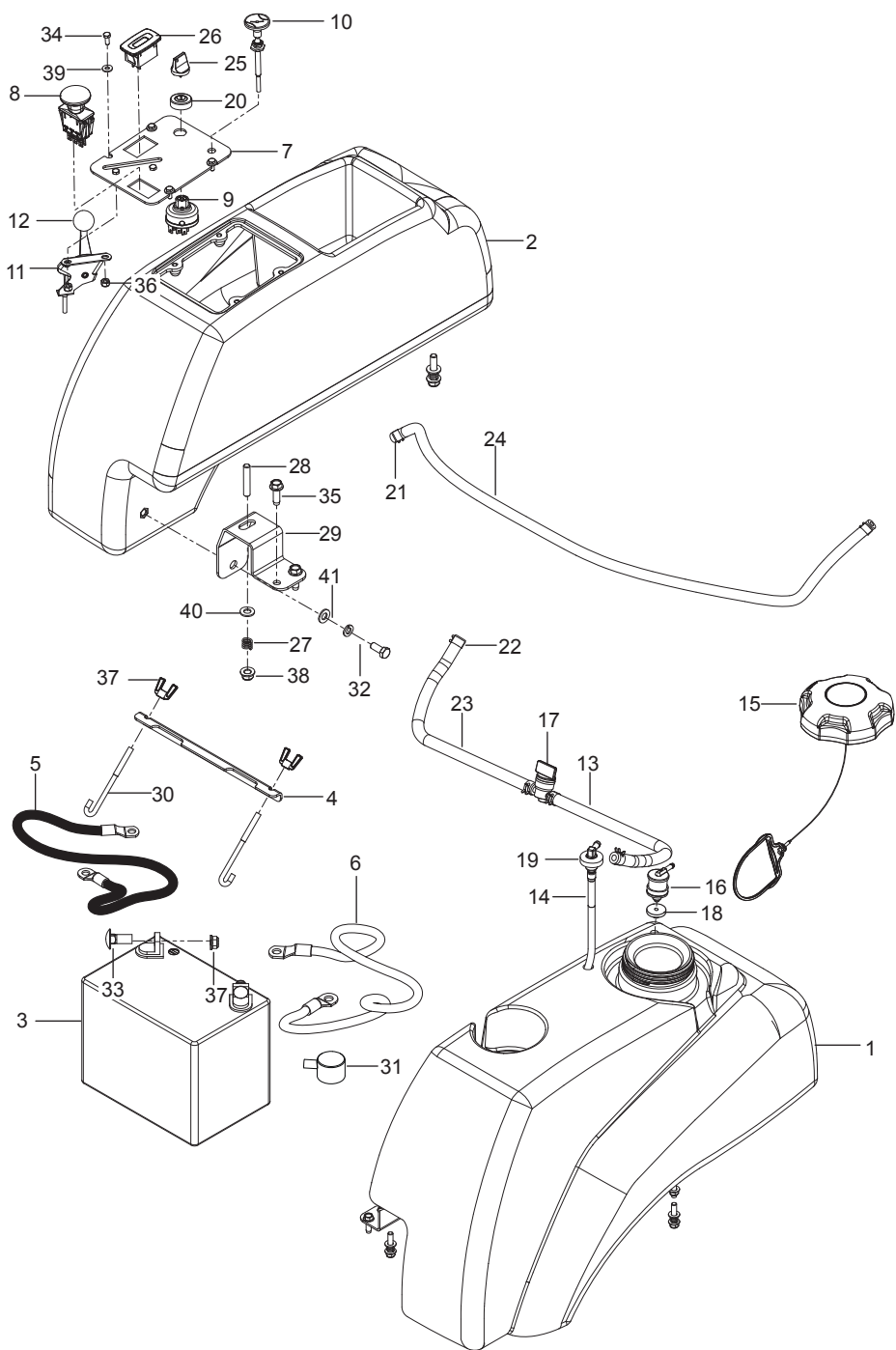
# STEERING





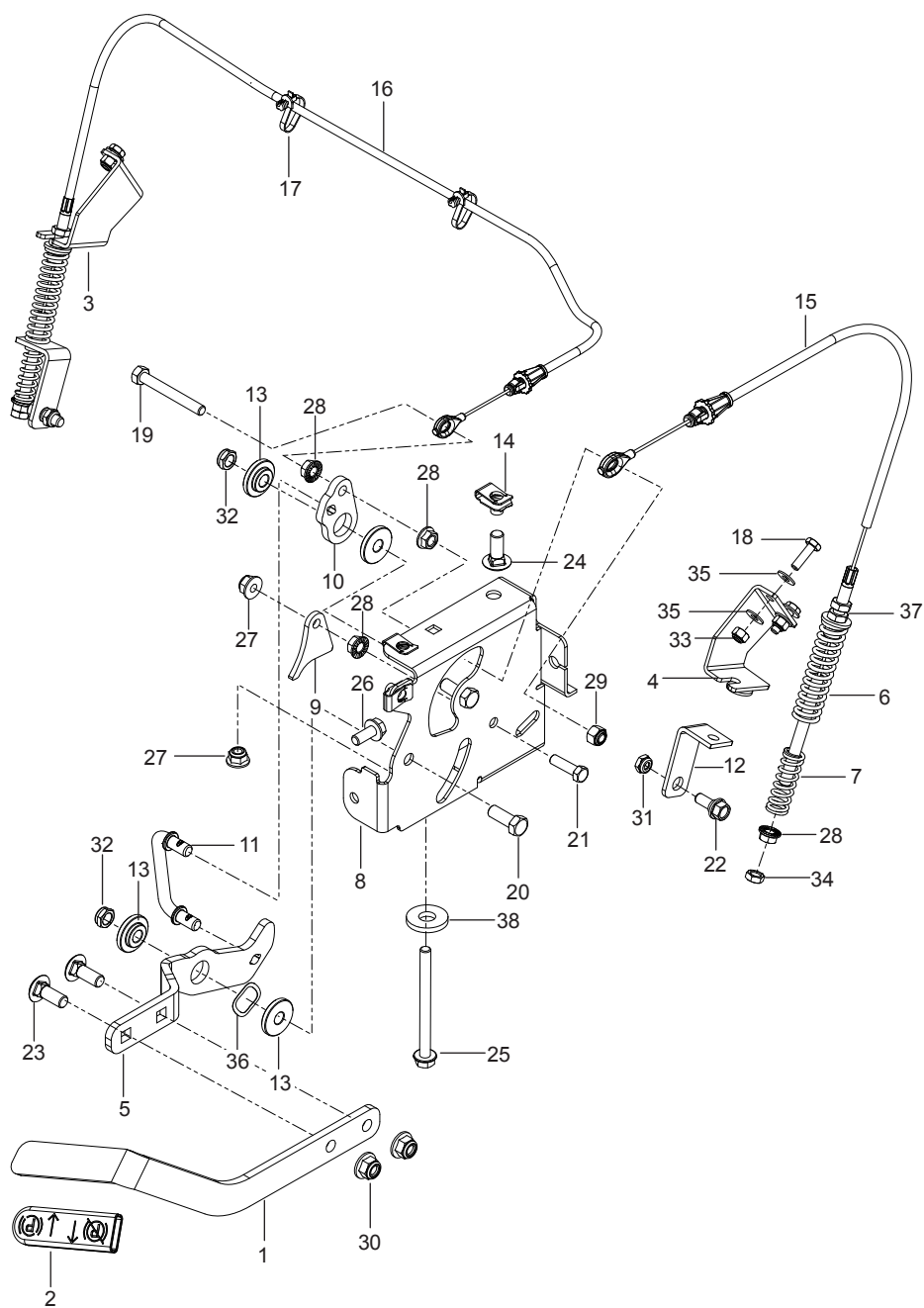
Ref.	Part No.	Qty	Description	Kit / Assy Includes
1	590 09 08-03	1	Lever w/ Grip Right Blk	
2	590 09 08-04	1	Lever w/ Grip Left Blk	
3	532 10 95-53	2	Switch, Interlock	
4	585 12 47-05	2	Bracket, Control	
5	532 43 82-82	4	Bearing	
6	587 18 77 01	2	Lever, Control	
7	577 42 00-01	2	Lever, Handle	
8	584 92 72-01	2	Spacer, Pivot Control	
9	539 10 27-20	2	Dampener	
10	581 43 75-01	2	Block, Tracking	
11	539 10 28-45	1	Spring	
12	576 85 03-01	1	Spring	
13	539 13 17-99	1	Knob	
14	574 81 14-01	2	Rod, Motion Control	
15	539 11 66-89	2	Coupler, Rod End	
16	588 69 25 02	2	Rod End Left	
17	579 76 46-01	2	Rod End Right	
18	581 22 30-01	2	Plate, Nut	
19	576 85 04-02	2	Screw 5/16-18 x 1-3/4 Button Hd	
20	574 82 27-01	4	Screw #10-24 x 3/4 Socket Hd	
21	874 78 05-20	5	Bolt 5/16-18 x 1-1/4 Hex Hd	
22	874 78 08 44	2	Bolt 1/2-13 x 2-3/4 Hex Hd	
23	539 97 69-35	4	Bolt 5/16-18 x 1-1/2 Hex Hd	
24	525 54 40-01	4	Bolt 5/16-18 x 1-1/4 Tap	
25	874 49 05 12	8	Bolt 5/16-18 x 3/4 Hex Flange Hd	
26	539 99 10-73	2	Nut 15/16-24 Hex Jam Nyloc	
27	539 99 05-85	4	Nut 5/16-18 Hex Whiz Lock	
28	539 10 80-10	2	Nut 1/2-13 Hex Jam Nyloc Grade 2	
29	539 99 07-17	4	Nut 5/16-18 Hex Nyloc	
30	539 11 28-99	10	Nut 5/16-18 Hex Flange Nyloc	
31	539 99 02-23	4	Nut 15/16-24 Hex	
32	819 11 11-16	14	Washer 5/16 SAE Flat	

# IGNITION SYSTEM



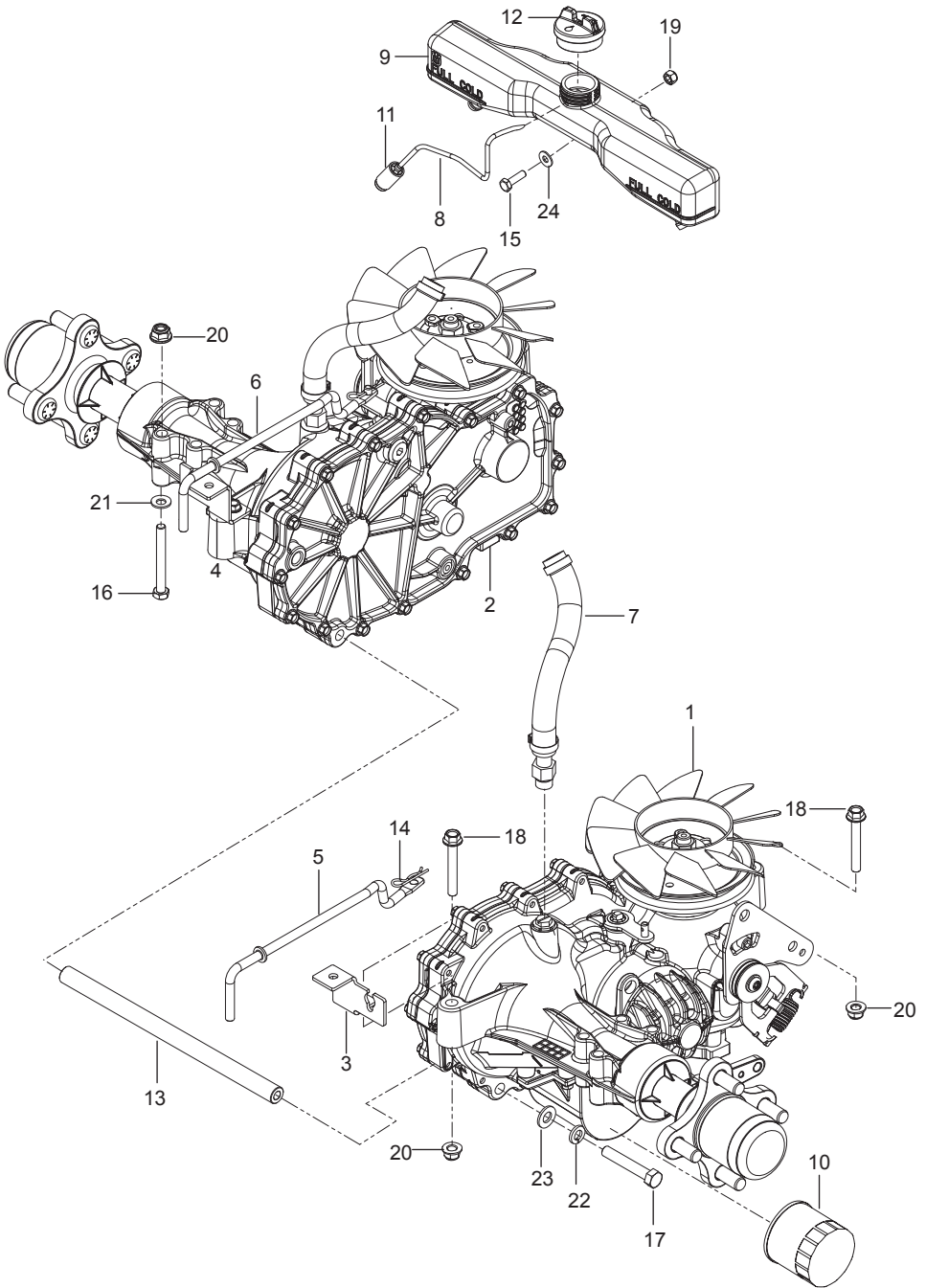
Ref.	Part No.	Qty	Description	Kit / Assy Includes
1	539 10 75-93	1	Assembly, Tank Left Gry	14, 15, 16, 18, 19
2	585 72 23-03	1	Console, Right Gry	
3	539 10 24-36	1	Battery	
4	588 10 72-01	1	Bracket, Battery Mount	
5	588 03 08-01	1	Cable, Battery Neg Blk	
6	588 03 07-01	1	Cable, Battery Pos Red	
7	574 84 12-04	1	Plate, Console, Blk	
8	582 10 76-02	1	Switch, Blade Switch	
9	574 45 54-01	1	Switch, Ignition w/ Washer, Nut	
10	584 97 18-01	1	Control, Choke	
11	539 10 27-32	1	Control, Throttle	
12	539 13 30-49	1	Knob	
13	586 12 39-03	1	Assembly, Fuel Hose	17, 22, 23
14	576 46 92-01	1	Fitting, Fuel	
15	575 01 81-01	1	Fuel Cap w /Tether	
16	576 61 81-01	1	Valve, Fuel Check	
17	539 91 63-25	1	Valve, Fuel Shut Off	
18	576 61 82-01	1	Grommet, Check Valve	
19	539 10 52-45	1	Grommet, Rubber	
20	539 10 31-78	1	Nutcap, Switch	
21	575 43 65-01	2	Clamp 3/16"Hose	
22	532 12 34-87	4	Clamp 1/4" Hose	
23	587 04 48-10	2	Hose 1/4" Fuel	
24	587 04 45-55	1	Hose 3/16" Vapor	
25	574 45 55-01	1	Key	
26	586 16 18-01	1	Meter, Service	
27	539 10 28-45	6	Spring	
28	539 10 25-02	6	Stud, Tank	
29	588 84 32-02	2	Support, Tank Blk	
30	510 06 40-01	2	Hook, J	
31	532 43 53-95	1	Cover, Terminal	
32	539 97 69-34	2	Bolt 5/16-18 x 3/4 Hex Head	
33	539 99 03-16	2	Bolt 5/16-18 x 3/4 Round Head Square Neck	
34	539 99 04-11	6	Screw #10-24 x 1/2 Slotted Hex Head	
35	817 49 05-16	3	Screw 5/16-18 x 1 Washer Head	
36	539 97 69-77	2	Nut #10-24 Hex Nylon Ring	
37	539 99 09-97	2	Nut 1/4-20 Wing Nut Nyloc	
38	539 11 28-99	13	Nut 5/16-18 Hex Flange Nyloc	
39	819 07 08-18	4	Washer 1/2 18 Gauge	
40	819 11 11-16	8	Washer 5/16 SAE Flat	
41	539 99 01-87	2	Washer, Slotted Lock	
NOT SHOWN				
	589 66 99-01	1	Harness, Wiring	
	532 40 96-15	1	Relay	

# BRAKE / LIFT



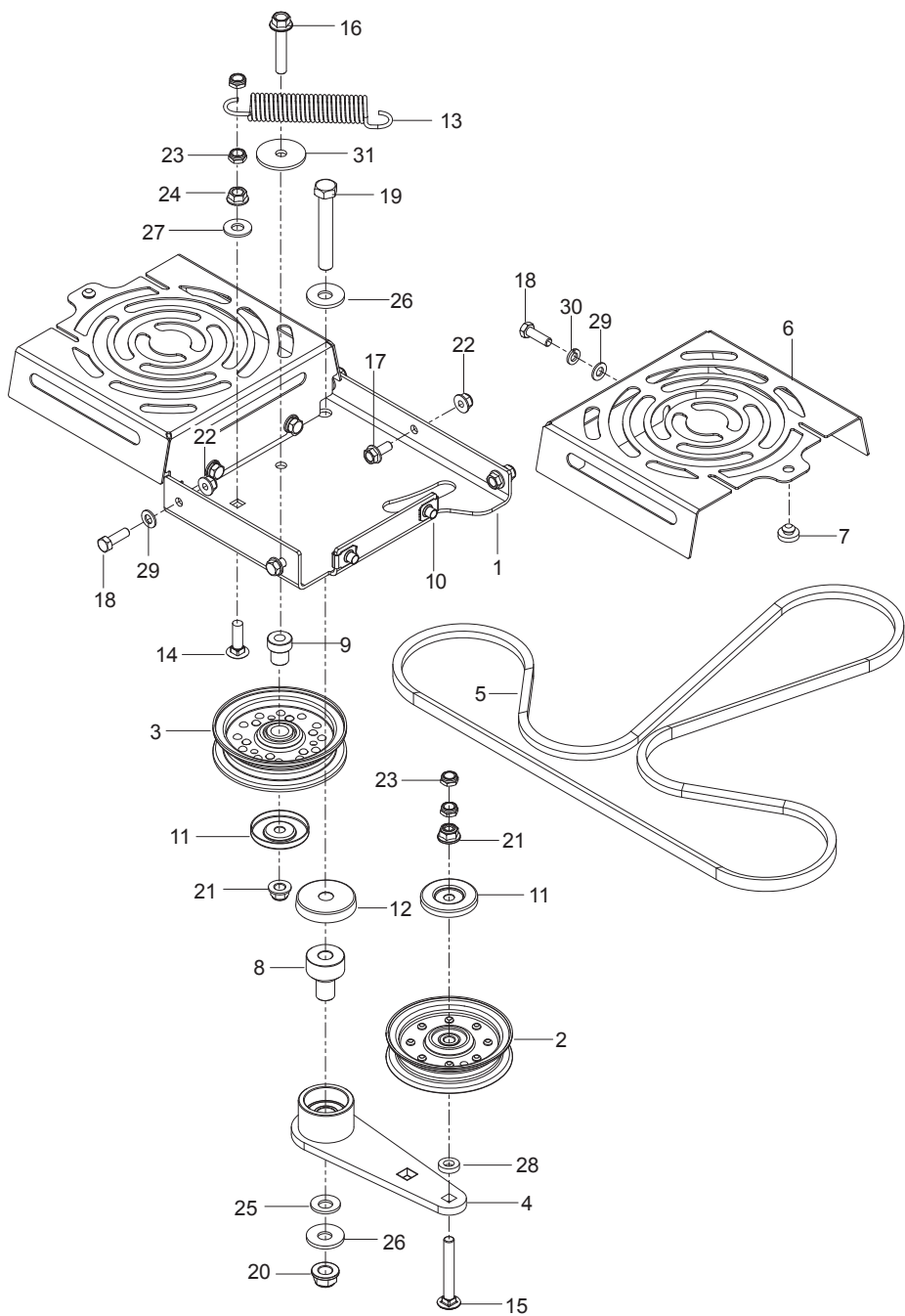
Ref.	Part No.	Qty	Description	Kit / Assy Includes
1	539 13 21-51	1	Arm, Brake	
2	539 10 50-36	1	Grip, Brake Handle	
3	575 22 96-02	1	Bracket, Right Blk	
4	575 22 97-02	1	Bracket, Left Blk	
5	586 73 88-02	1	Lever, Brake	
6	575 23 02-01	2	Spring, Return	
7	575 23 03-01	2	Spring, Engagement	
8	586 83 00-02	1	Mount, Brake	
9	539 13 21-54	1	Actuator, Switch	
10	539 13 21-53	1	Bellcrank, Brake	
11	539 13 24-24	1	Linkage, Brake	
12	575 22 98-02	2	Bracket, Brake	
13	539 13 21-61	4	Bushing, Brake	
14	539 10 47-63	3	Retainer, U Type 5/16-18	
15	582 12 18-01	1	Cable, Brake Short	
16	582 12 20 01	2	Cable, Brake Long	
17	505 28 00-01	2	Tie Wrap w/ Clip	
18	539 99 06-43	4	Bolt 1/4-20 x 7/8 Hex Hd	
19	539 10 83-96	1	Bolt 5/16-18 x 2-1/2 Hex Hd Tap	
20	539 99 05-63	2	Bolt 3/8-16 x 1 Hex Hd	
21	539 99 02-09	1	Bolt 5/16-18 x 1 Hex Hd	
22	539 11 03-03	2	Bolt 5/16 Shoulder	
23	539 99 06-45	2	Bolt 3/8-16 x 1 Round Hd Square Neck	
24	539 99 03-16	1	Bolt 5/16-18 x 3/4	
25	539 13 17-80	1	Bolt 5/16-18 x 3-3/4 Hex Flange Hd	
26	874 49 05-12	1	Bolt 5/16-18 x 3/4 Hex Flange Hd	
27	539 11 28-99	2	Nut 5/16-18 Hex Flange Nyloc	
28	539 99 05-85	5	Nut 5/16-18 Hex Whiz Lock	
29	539 99 07-17	1	Nut 5/16-18 Hex Nyloc	
30	521 99 65-01	2	Nut 3/8-16 Hex Flange Nyloc	
31	539 11 56-17	2	Nut 5/16 Hex Nyloc	
32	539 20 02-82	2	Nut 3/8-16 Hex Jam Nyloc	
33	539 97 69-78	4	Nut 1/4-20 Hex Nyloc	
34	539 10 78-97	2	Nut 5/16-18 Hex Jam	
35	539 99 00-55	8	Washer 1/4 SAE Flat	
36	539 13 30-07	1	Washer, Wave	
37	539 99 01-22	2	Washer 3/8 SAE	
38	819 18 22-12	1	Washer 1/2 Flat	
	Not Shown			
	532 19 78-02	1	Switch, Brake	

# HYDRAULIC PUMP-MOTOR



Ref.	Part No.	Qty	Description	Kit / Assy Includes
1	574 56 91-01	1	Trans, ZT-3400, Left	
2	574 56 91-02	1	Trans, ZT-3400, Right	
3	575 01 71-02	1	Bracket, Trans, Left	
4	575 01 70-02	1	Bracket, Trans, Right	
5	539 13 16-16	1	Linkage, Bypass Left	
6	539 13 16-18	1	Linkage, Bypass Right	
7	574 89 21-01	2	Hose, Expansion	
8	586 06 75-01	1	Hose, Fuel	
9	585 31 82-01	1	Assy, Expansion Tank	8, 11, 12
10	539 11 34-66	2	Filter, Hydro	
11	530 09 56-46	1	Filter	
12	586 07 27-01	1	Cap, Tank	
13	574 86 85-01	1	Tube, Spacer	
14	539 97 69-88	2	Pin	
15	539 99 06-43	1	Bolt 1/4-20 x 7/8 Hex Hd	
16	874 78 05-44	4	Bolt 5/16-18 x 2-3/4 Hex Hd	
17	539 10 85-51	2	Bolt 3/8-16 x 2-1/2 Hex Hd Grade 8	
18	574 23 38-01	4	Bolt 5/16-18 x 2-1/4 Hex Flange Hd	
19	539 97 69-78	1	Nut 1/4-20 Hex Nyloc	
20	539 11 28-99	8	Nut 5/16-18 Hex Flange Nyloc	
21	819 11 11-16	4	Washer 5/16 SAE Flat	
22	539 99 01-18	2	Washer 3/8 Split Lock	
23	539 99 01-22	2	Washer 3/8 SAE Flat	
24	539 99 00-55	1	Washer 1/4 SAE Flat	

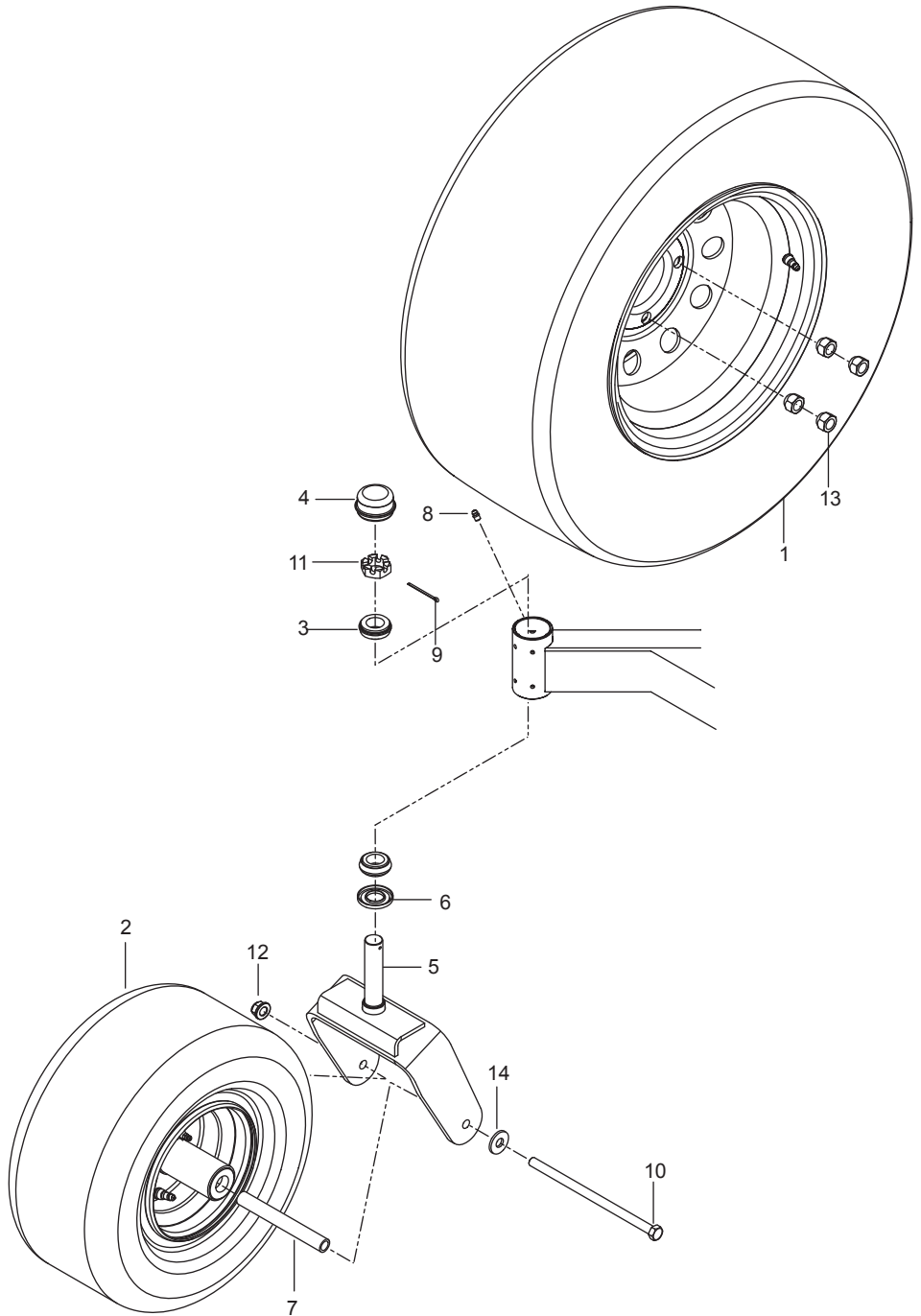
# HYDRAULIC PUMP DRIVE





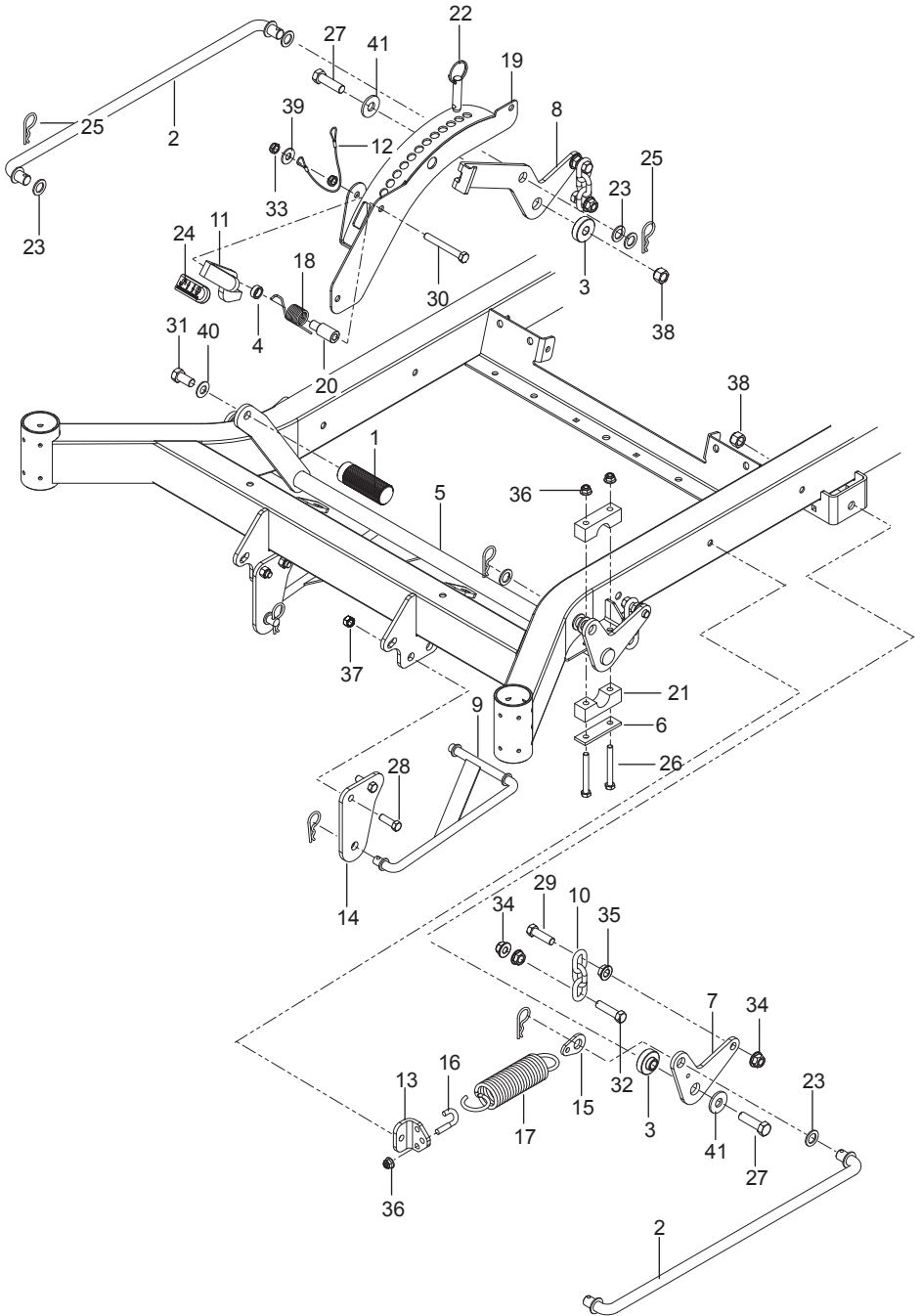
Ref.	Part No.	Qty	Description	Kit / Assy Includes
1	586 67 04-02	1	Plate, Idler Support, Blk	
2	539 97 66-88	1	Pulley, Idler	
3	532 17 58 20	1	Pulley, Idler Secondary	
4	510 04 16-03	1	Arm, Idler w/ Bearings	
5	574 87 09-01	1	Belt	
6	584 99 42-02	2	Cover, Fan	
7	539 10 25-87	2	Grommet, Bumper	
8	510 20 63-01	1	Pivot, Bearing	
9	525 43 56-01	1	Pivot, Idler	
10	539 10 47-63	4	Retainer, U Type 5/16-18	
11	510 25 45-01	2	Shield, Dust	
12	539 11 46-62	1	Shield, Dust	
13	510 25 44-01	1	Spring, Pump	
14	872 14 06-10	1	Bolt 3/8-16 x 1-1/4 Round Hd Square Neck	
15	539 13 02-35	1	Bolt 3/8-16 x 2-3/4 Round Hd Square Neck	
16	874 49 06-32	1	Bolt 3/8-16 x 2 Hex Flange Hd	
17	874 49 05-12	3	Bolt 5/16-18 x 3/4 Hex Flange Hd	
18	539 99 02-09	6	Bolt 5/16-18 x 1 Hex Hd	
19	874 78 08-52	1	Bolt 1/2-13 x 3-1/4 Hex Hd	
20	521 99 11-01	1	Nut 1/2-13 Hex Flange Nyloc	
21	521 99 65-01	2	Nut 3/8-16 Hex Flange Nyloc	
22	539 11 28-99	5	Nut 5/16-18 Hex Flange Nyloc	
23	539 20 02-82	4	Nut 3/8-16 Hex Jam Nyloc	
24	539 99 06-13	1	Nut 3/8-16 Hex Whiz Lock	
25	539 11 55-28	1	Washer 1/2 Belleville	
26	819 18 22-12	2	Washer 1/2 Flat	
27	819 14 16-14	1	Washer 3/8 Flat	
28	539 10 95-62	1	Washer 3/8 x 3/4 Thick	
29	819 11 11-16	6	Washer 5/16 SAE Flat	
30	539 99 01-87	4	Washer 5/16 Slotted Lock	
31	539 11 18-97	1	Washer, Special	

# WHEELS & TIRES



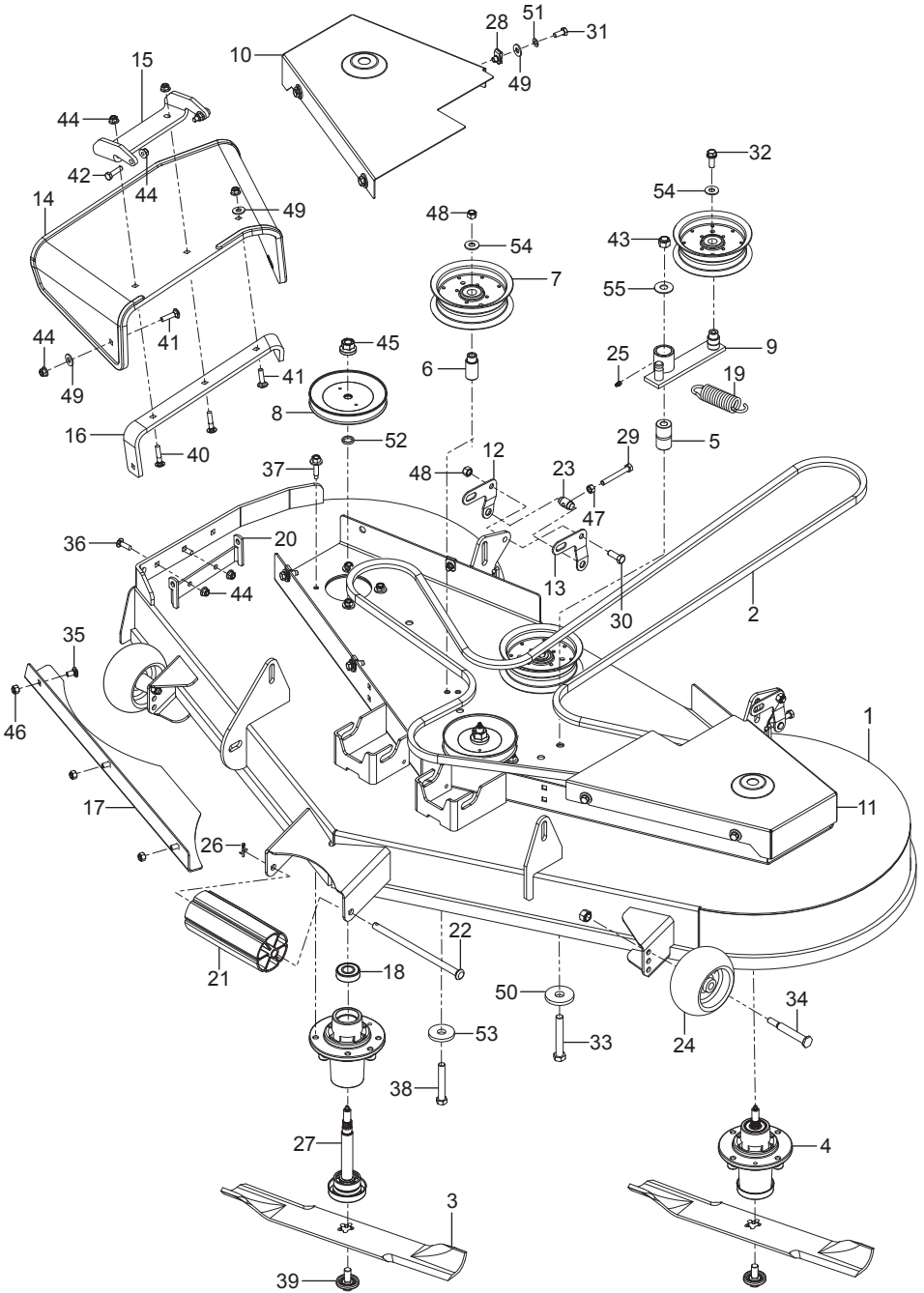
Ref.	Part No.	Qty	Description	Kit / Assy Includes
1	587 71 88-08	2	Assembly, Wheel 23 x 10.5-12	
	586 95 54-01	2	Tire, 23 x 10.5-12	
2	581 19 95-01	2	Assembly, Wheel 13 x 6.5-6	
3	539 10 25-43	4	Bearing	
4	539 10 25-35	2	Cap, Grease	
5	586 92 19-02	2	Yoke, Caster Org	
6	539 10 28-51	2	Seal	
7	575 33 49-01	2	Spacer, Pivot	
8	539 10 14-74	2	Zerk	
9	539 10 28-89	2	Pin 1/8 x 2 Cotter	
10	539 10 55-17	2	Bolt 1/2-13 x 9-1/2 Hex Hd	
11	539 10 28-52	2	Nut 1-14 Slotted Jam	
12	873 80 08-00	2	Nut 1/2-13 Hex Flange Nyloc	
13	587 65 39-02	8	Nut 1/2-20 Lug Grade 8	
14	819 18 22-12	2	Washer 1/2 Flat	

# MOWER LIFT / DECK LIFT



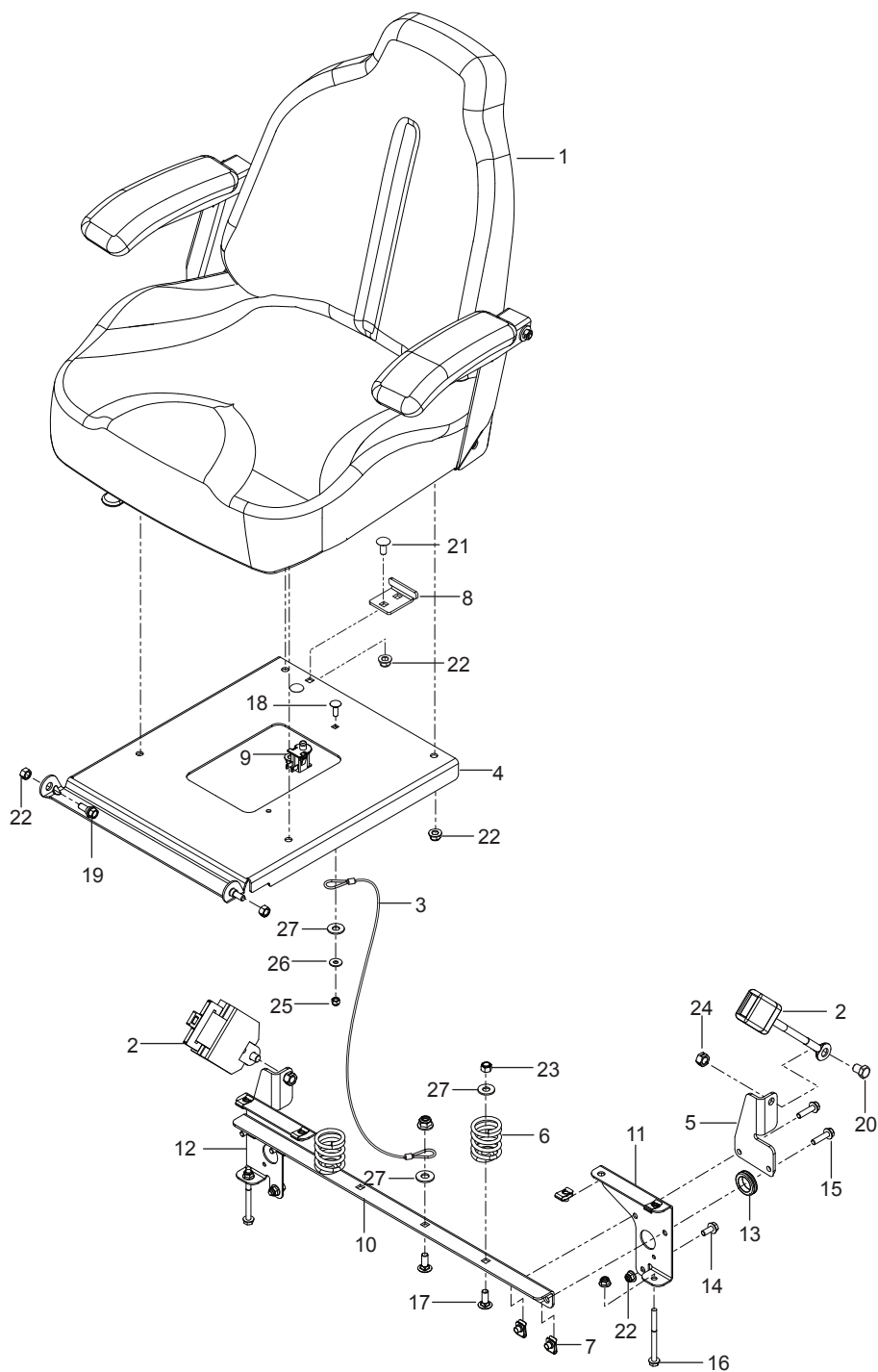
Ref.	Part No.	Qty	Description	Kit / Assy Includes
1	510 40 83-01	1	Pedal, Foot	
2	539 11 08-08	2	Link, Deck Lift	
3	586 70 17-01	2	Spacer, Idler	
4	539 13 18-61	1	Spacer	
5	586 92 87-02	1	Shaft, Front Lift Blk	
6	584 39 27-02	2	Plate, Reinforcement	
7	539 13 18-97	1	Bellcrank, Rear, Left Blk	
8	539 13 18-53	1	Bellcrank, Rear, Right Blk	
9	539 11 22-23	2	Linkage, Strut	
10	539 10 96-93	4	Lift Chain-3 Link	
11	539 13 15-66	1	Latch, Transport	
12	539 10 50-59	1	Lanyard	
13	539 13 17-91	1	Mount, Spring	
14	539 13 20-17	2	Mount, Strut	
15	539 13 17-92	1	Tab, Spring	
16	539 11 28-96	1	J-Bolt	
17	539 10 26-42	1	Spring	
18	539 13 27-34	1	Spring, Torsion	
19	539 13 18-50	1	Height Adjust, Deck	
20	539 13 18-60	1	Pivot Latch, Transport	
21	539 10 48-08	4	Pillow Block	
22	539 13 21-82	1	Pin 1/2 x 1-1/2 Detent Ring	
23	819 21 16-16	10	Bushing 5/8	
24	539 13 28-51	1	Grip	
25	539 11 55-01	6	Pin, Cotter 1-3/4	
26	874 78 05-44	4	Bolt 5/16-18 x 2-3/4 Hex Hd	
27	539 10 81-81	2	Bolt 1/2-13 x 1-3/4 Hex Hd Grade 8	
28	539 99 05-63	4	Bolt 3/8-16 x 1 Hex Hd	
29	539 10 11-75	4	Bolt 7/16-14 x 1-1/2 Hex Hd	
30	874 78 06-48	1	Bolt 3/8-16 x 3 Hex Hd	
31	539 99 06-46	1	Bolt 1/2-13 x 1 Hex Hd	
32	539 10 80-73	4	Bolt 7/16-14 x 1-3/4 Hex Hd	
33	539 20 02-82	2	Nut 3/8-16 Hex Jam Nyloc	
34	539 13 20-19	8	Nut 7/16-14 Hex Whiz Lock Smooth	
35	539 10 25-82	8	Nut 7/16-14 Hex Whiz Lock Heavy	
36	539 11 28-99	5	Nut 5/16-18 Hex Flange Nyloc	
37	539 97 69-79	4	Nut 3/8-16 Hex Nyloc	
38	873 80 08-00	4	Nut 1/2-13 Hex Nyloc	
39	819 14 16-14	1	Washer 3/8 Flat	
40	539 10 28-43	1	Washer 7/16 Spring	
41	819 18 22-12	2	Washer 1/2 Flat	

# MOWER DECK / CUTTING DECK



Ref.	Part No.	Qty	Description	Kit / Assy Includes
1	581 50 54-01	1	Deck w/ Safety Decals Org	
2	539 10 43-35	1	Belt, Deck	
3	539 11 33-12	3	Blade, 21"	
4	539 13 18-98	3	Assembly, Spindle Cast Iron	18, 27
5	539 10 34-27	1	Bushing, Pivot	
6	539 11 21-69	2	Bushing, Idler	
7	589 76 61-01	3	Pulley, Idler	
8	539 11 33-00	3	Pulley	
9	539 11 49-52	1	Arm, Idler Blk	
10	539 11 33-21	1	Belt Shield, Right Org	
11	539 11 33-24	1	Belt Shield, Left Org	
12	584 85 94-02	2	Pitch Adjust, Right	
13	584 85 94-04	2	Pitch Adjust, Left	
14	539 13 09-01	1	Chute, Discharge	
15	539 13 09-05	1	Bracket, Pivot Blk	
16	539 13 09-08	1	Bracket, Chute Blk	
17	539 11 33-18	1	Plate, Confinement	
18	532 11 04-85	3	Bearing, Ball	
19	539 10 32-56	1	Spring	
20	581 60 61-02	1	Bracket Org	
21	532 17 60-66	1	Roller, Nose	
22	532 17 91-27	1	Rod, Roller, Nose	
23	539 13 18-59	2	Trunion, Pitch	
24	532 13 39-57	2	Wheel, Gauge	
25	539 97 69-98	1	Zerk 1/4-28	
26	876 02 04-12	2	Pin 1/8 x 3/4 Cotter	
27	532 18 72-91	3	Shaft, Spindle	
28	539 10 47-63	8	Retainer, U Type 5/16-18	
29	539 10 83-96	2	Bolt 5/16-18 x 2-1/2 Hex Hd Tap	
30	539 99 05-63	2	Bolt 3/8-16 x 1 Hex Hd	
31	539 97 69-34	8	Bolt 5/16-18 x 3/4 Hex Hd	
32	539 99 05-82	1	Bolt 3/8-16 x 1 Whiz Lock Hex Hd	
33	874 78 08-52	1	Bolt 1/2-13 x 3-1/4 Hex Hd	
34	532 13 76-44	2	Bolt 3/8-16 x 3-3/8 Shoulder	
35	539 99 07-99	3	Bolt 5/16-18 x 5/8 Round Hd Square Neck	
36	539 10 72-71	2	Bolt 5/16-18 x 1 Round Hd Square Neck	
37	584 95 39-01	12	Bolt 5/16-18 x 1-1/4 Hed Hd	
38	874 78 06-48	2	Bolt 3/8-16 x 3 Hex Hd	
39	532 19 30-03	3	Bolt 7/16-20 Blade	
40	539 10 29-33	2	Bolt 5/16-18 x 1-1/2 Round Hd Square Neck	
41	539 10 04-72	2	Bolt 5/16-18 x 1-1/4 Round Hd Square Neck	
42	874 78 05-20	2	Bolt 5/16-18 x 1-1/4 Hex Hd	
43	873 80 08-00	1	Nut 1/2-13 Hex Nyloc	
44	539 11 28-99	8	Nut 5/16-18 Hex Flange Nyloc	
45	532 40 02-34	3	Nut 9/16 Top Center Lock	
46	539 99 07-17	3	Nut 5/16-18 Hex Nyloc	
47	539 99 01-96	2	Nut 5/16-18 Hex	
48	539 97 69-79	6	Nut 3/8-16 Hex Nyloc	
49	819 12 14-14	10	Washer 5/16 Flat	
50	539 10 22-43	1	Washer, Support	
51	539 10 96-00	8	Washer, 9/16 Spring	
52	532 18 76-90	3	Washer, Spacer	
53	539 10 65-04	2	Washer, Heavy	
54	819 14 16-14	3	Washer 3/8 Flat	
55	819 18 22-12	1	Washer 9/16 Flat	

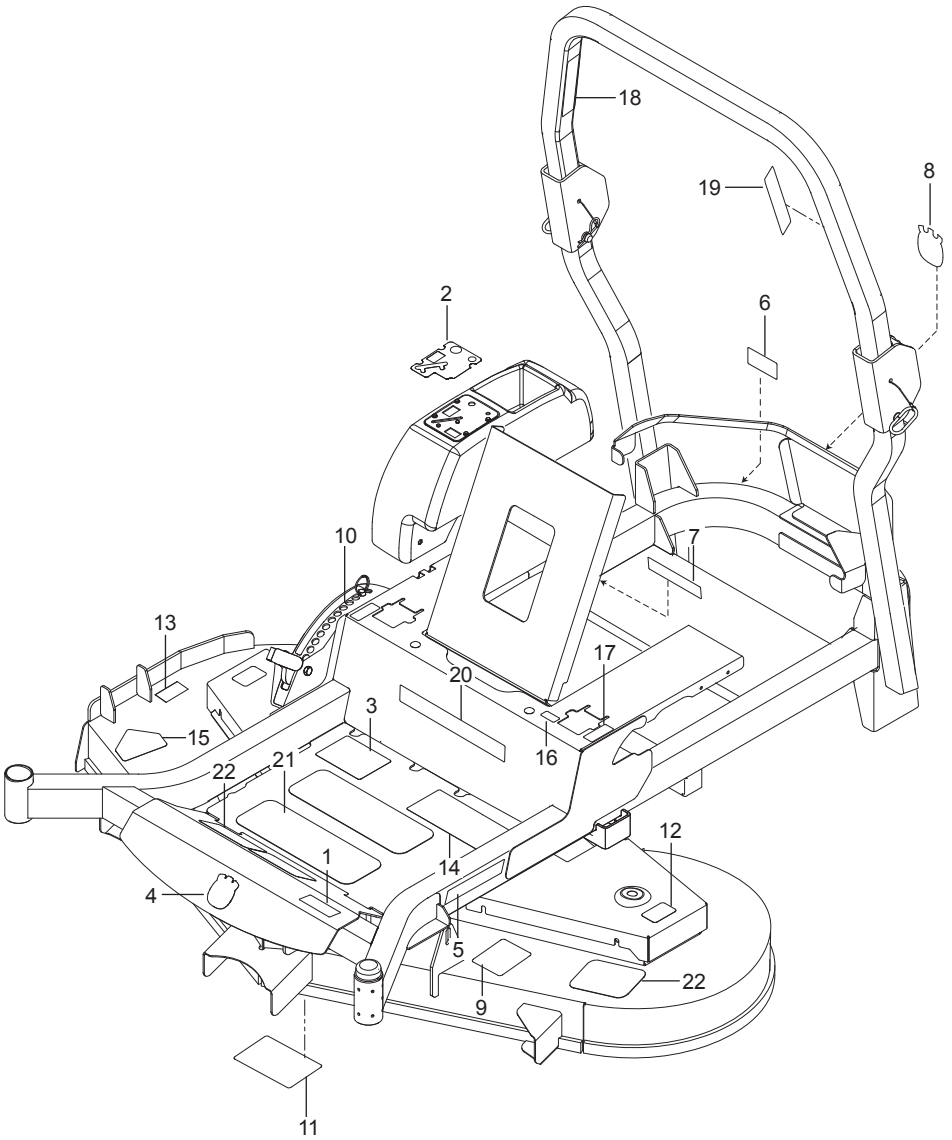
# SEAT





Ref.	Part No.	Qty	Description	Kit / Assy Includes
1	501 58 04-02	1	Assembly, Seat	9
2	539 13 03-59	1	Assembly, Seat Belt	
3	539 10 32-47	1	Lanyard, Seat	
4	501 76 21-02	1	Mount, Seat Org	
5	584 91 68-02	2	Mount. Seat Belt Blk	
6	587 61 33-01	2	Spring, Seat Blk	
7	539 10 47-63	8	Retainer, U Type	
8	539 13 07-94	1	Deck Stop Blk	
9	539 11 97-41	1	Switch, Seat	
10	584 80 91-02	1	Support, Seat Blk	
11	584 99 01-02	1	Support, Right Blk	
12	584 99 02-02	1	Support, Left Blk	
13	539 10 59-74	1	Grommet Rubber	
14	874 49 05-12	2	Bolt 5/16-18 x 3/4 Hex Flange Hd	
15	525 54 40-01	4	Bolt 5/16-18 x 1-1/4 Hex Flange Hd	
16	874 49 05-60	2	Bolt 5/16-18 x 3-3/4 Hex Flange Hd	
17	539 99 06-45	3	Bolt 3/8-16 x 1 Round Hd Square Neck	
18	539 11 56-20	1	Bolt 1/4-20 x 3/4 Round Hd Square Neck	
19	539 13 08-96	2	Bolt 5/16-18 Shoulder	
20	539 11 20-34	2	Bolt 7/16-20 x 3/4 Hex Hd	
21	872 05 05-06	2	Bolt 5/16-18 x 3/4 Round Head Square Neck	
22	539 11 28-99	10	Nut 5/16-18 Hex Flange Nyloc	
23	539 97 69-79	2	Nut 3/8-16 Hex Nyloc	
24	539 99 03-94	2	Nut 7/16-20 Hex Lock	
25	539 97 69-78	1	Nut 1/4-20 Hex Nyloc	
26	819 09 12-16	1	Washer 1/4 Flat	
27	819 14 16-14	4	Washer 3/8 Flat	

# DECALS



Ref.	Part No.	Qty	Description	Kit / Assy Includes
1	581 51 37-01	1	Decal, M-ZT 61	
2	574 84 11-03	1	Decal, Console	
3	586 34 25-01	1	Decal, Start	
4	532 42 86-76	1	Decal, Crown H 4"	
5	532 42 91-96	2	Decal, Husqvarna	
6	539 10 57-44	1	Decal, Danger Belt Drive	
7	539 10 57-45	1	Decal, Battery Warning	
8	574 45 50-01	1	Decal, Crown H 6"	
9	539 11 26-20	1	Decal, Belt Routing	
10	539 13 20-39	1	Decal, Height Adjust	
11	539 13 21-87	1	Decal, Service	
12	581 72 43-01	2	Decal, No Step	
13	581 72 44-01	1	Decal, Deflector	
14	590 48 55-01	1	Decal, Warning	
15	584 90 46-01	1	Decal, Blade Warning	
16	585 14 26 01	2	Decal, Tracking	
17	589 28 30-01	2	Decal, Motion Control	
18	574 56 90-02	1	Decal, ROPS Warning	
19	574 56 90-05	1	Decal, ROPS	
20	591 35 74-01	1	Decal, Logo	
21	539 97 77-78	2	Pad, Abrasive Large	
22	539 12 13-22	3	Pad, Abrasive Small	



[www.husqvarna.com](http://www.husqvarna.com)

2018-01-01