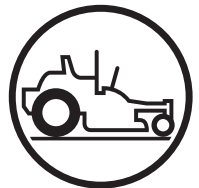




Husqvarna[®]



Parts Manual

V 554 / 967 672601-00

Please read the operator manual carefully and make sure you understand the instructions before using the machine.

Gasoline containing a maximum of 10% ethanol (E10) is permitted for use in this machine. The use of gasoline with more than 10% ethanol (E10) will void the product warranty.



When you need spare parts or support in service questions, warranty issues, etc., please consult the following professional:

This manual belongs to the machine with the manufacturing number:	Engine	Transmission

Manufacturing Number

The machine's manufacturing number can be found on the printed plate affixed to the engine compartment.

Stated on the plate, from the top are:

- The machine's type designation (I.D.)
- The manufacturer's type number (Model)
- The machine's serial number (Serial no.)

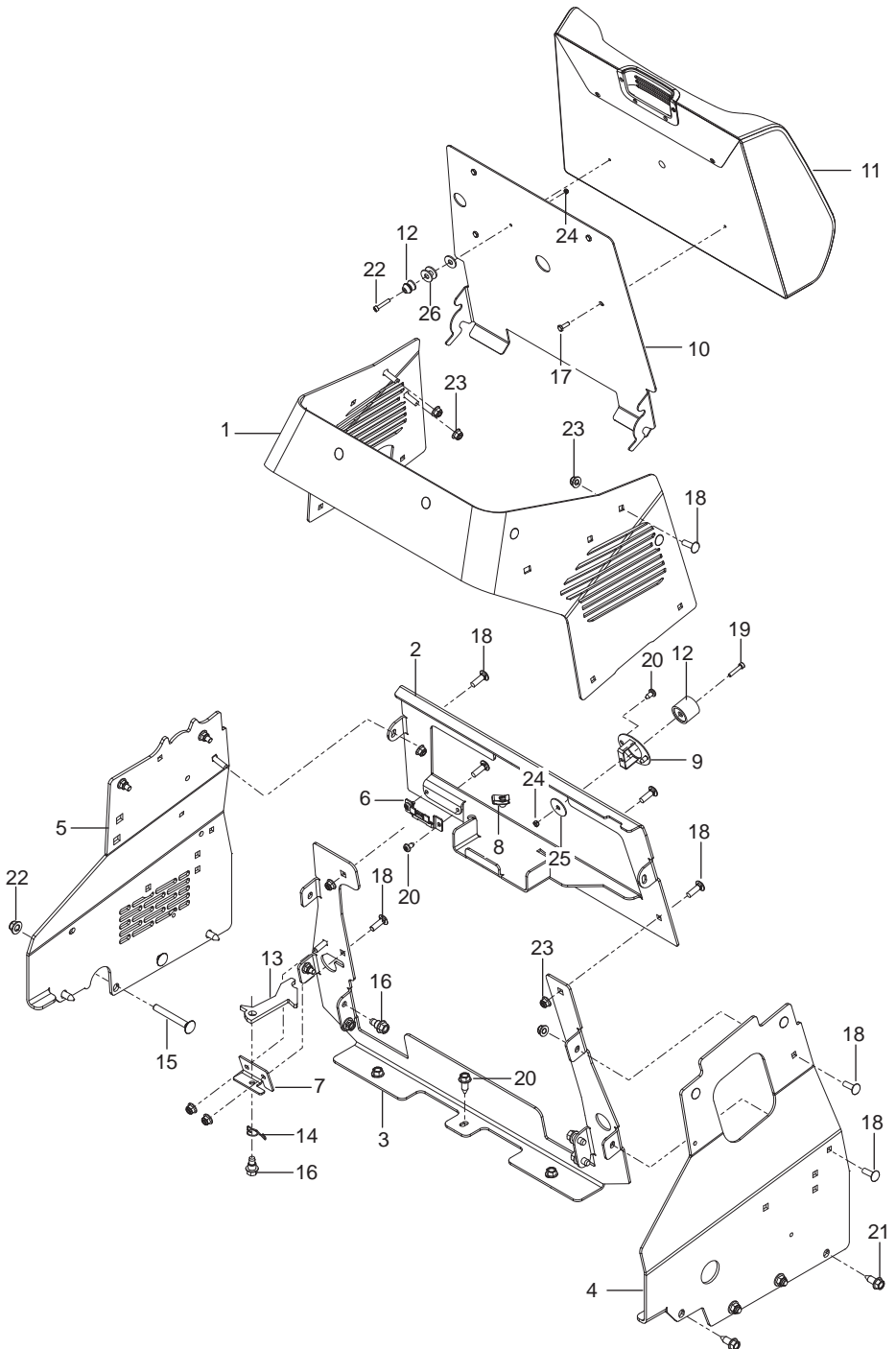
Please have the type designation and serial number available when ordering spare parts.

CONTENTS

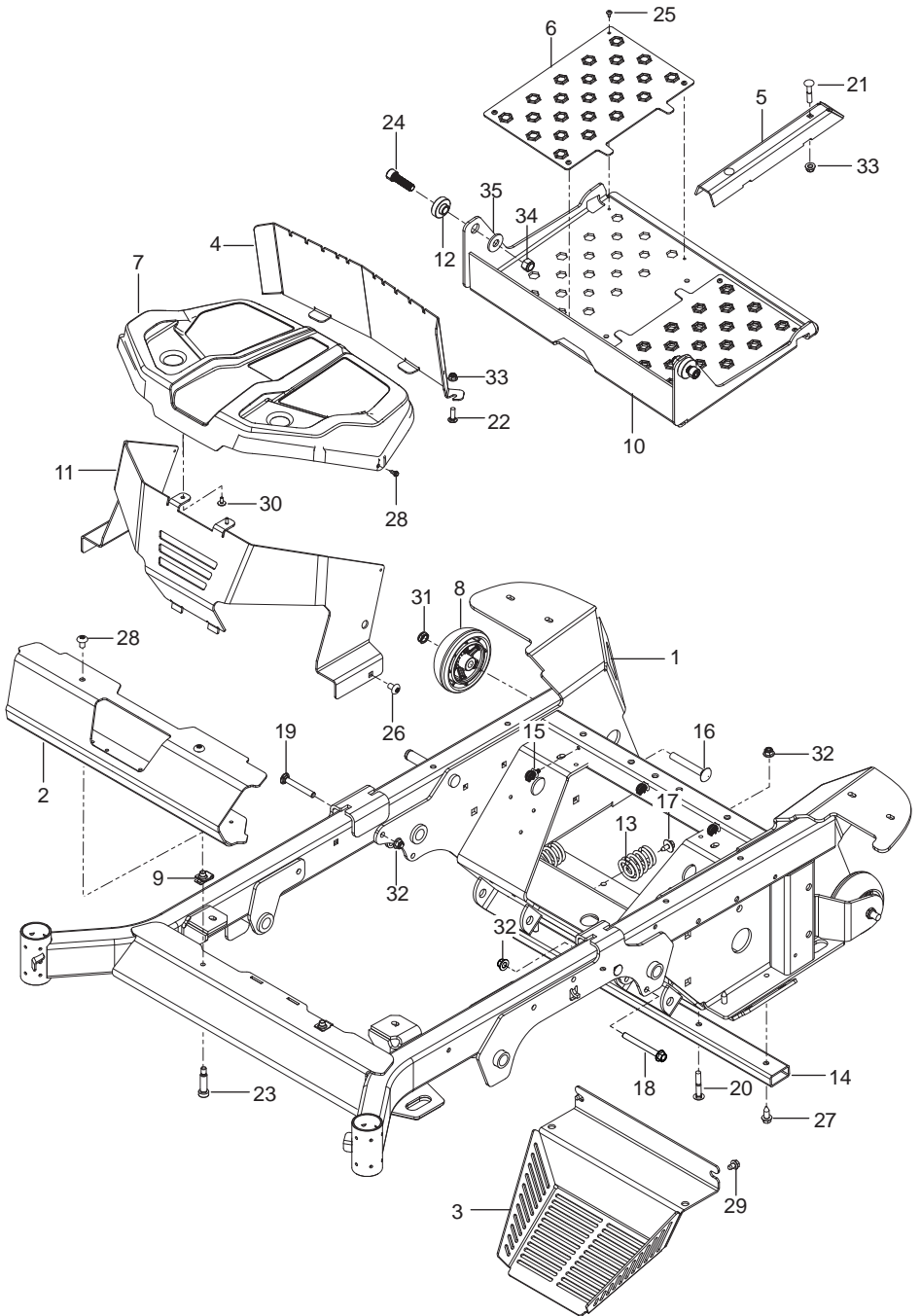
CHASSIS - UPPER	4
CHASSIS - LOWER	6
ENGINE MOUNTING, GUARDS & MUFFLER	8
STEERING	10
IGNITION SYSTEM.....	12
FUEL SYSTEM.....	14
PARK BRAKE	16
HYDRAULIC PUMP-MOTOR.....	18
HYDRAULIC DRIVE.....	20
WHEELS & TIRES	22
MOWER LIFT / DECK LIFT.....	24
MOWER DECK / CUTTING DECK	26
BLADE SHAFT	28
DECALS	30

Illustrations may or may not represent the actual assemblies and it is not recommended to use this manual as a guide to assemble or disassemble the mower.

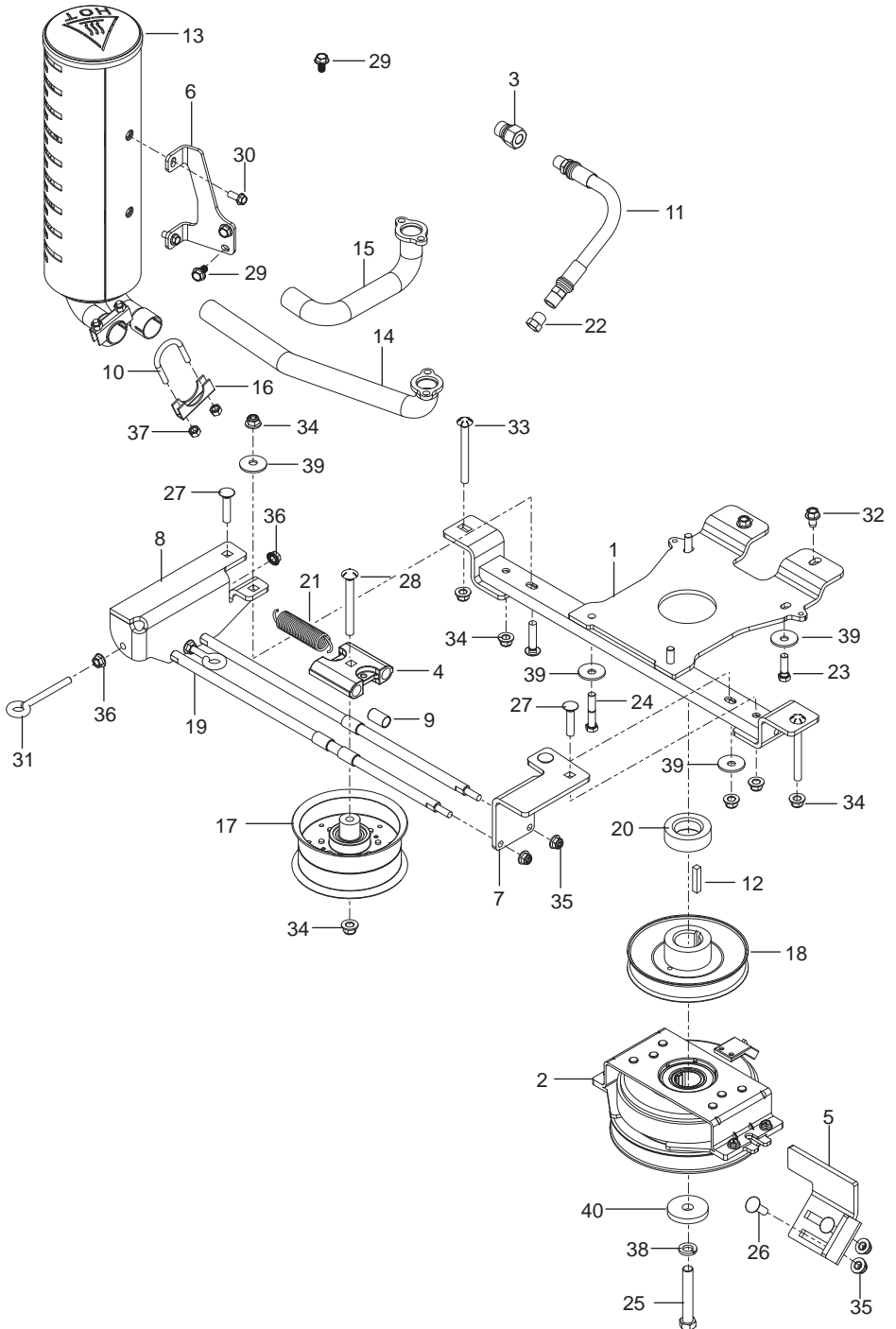
NOTE: All fasteners are Grade 5 unless otherwise specified.



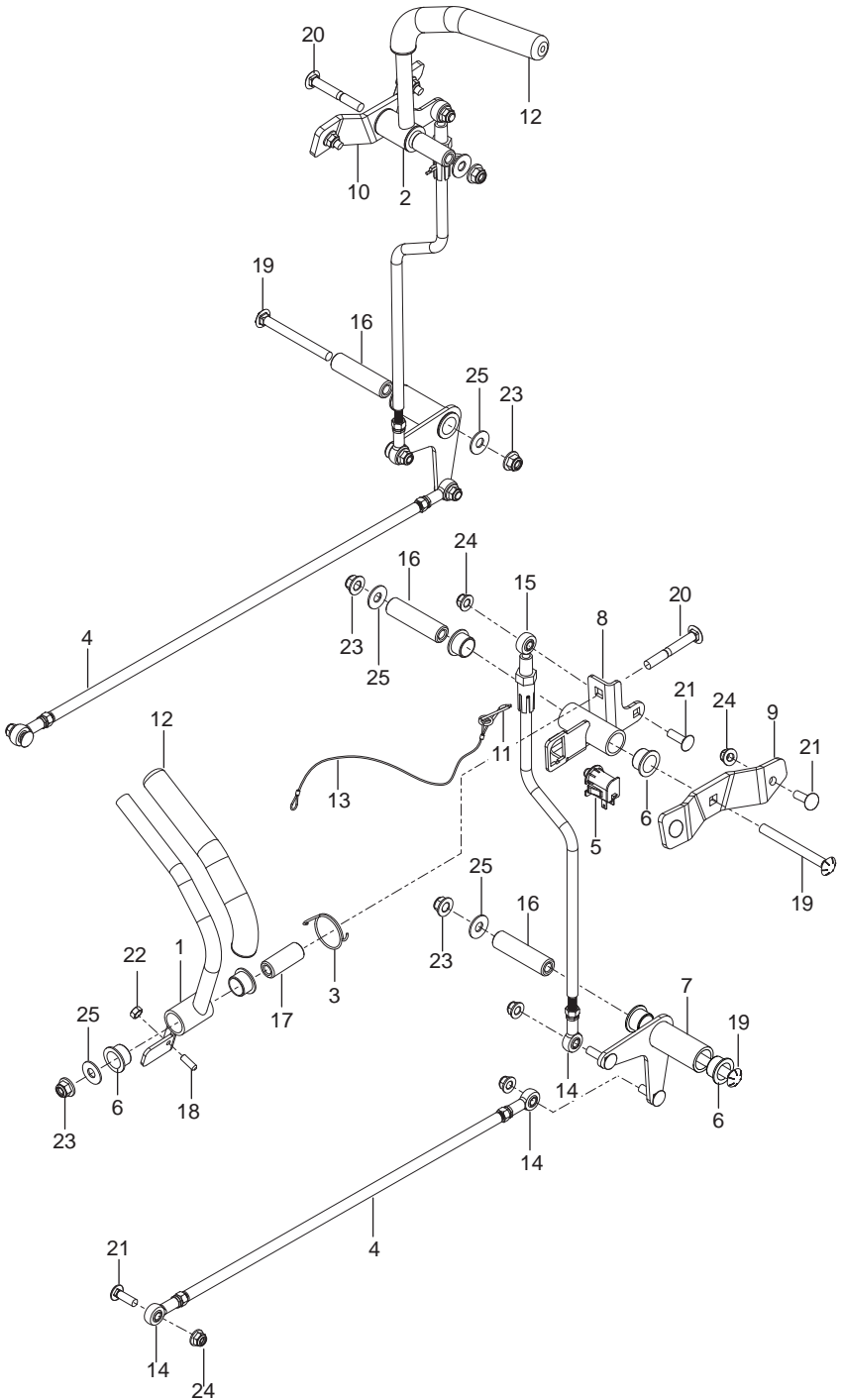
Ref.	Part No.	Qty	Description	Kit / Assy Includes
1	501 86 31-02	1	Column Front	
2	590 74 24-06	1	Column Rear Lower	
3	590 74 25-06	1	Column Rear Upper	
4	501 86 34-02	1	Column Side Left	
5	501 86 33-02	1	Column Side Right	
6	589 50 07-02	1	Bracket, Fuse Relay	
7	590 78 33-05	1	Bracket, Platform Holdback	
8	539 10 47-63	1	Retainer 5/16-18 U Type	
9	592 85 78-01	1	Cradle Holdback	
10	590 74 26-06	1	Door, Column Rear	
11	590 78 30-01	1	Pad, Operator Cushion	
12	582 46 17-01	1	Holder Assembly	
13	590 78 35-04	1	Latch, Platform	
14	590 79 04-01	1	Spring, Platform Holdback	
15	539 12 27-28	4	Bolt 3/8-16 x 3 Round Head Square Neck	
16	532 19 65-39	5	Bolt Shoulder	
17	592 85 81-01	4	Bolt 5/16 x 5/8 w/ Loctite	
18	539 10 72-71	18	Bolt 5/16-18 x 1 Round Head Square Neck	
19	593 16 74-01	2	Screw Hex Head	
20	532 19 98-55	4	Screw 1/4-20 Panhead	
21	817 00 06-16	7	Screw 3/8-16 x 1 Tap Blk	
22	521 99 65-01	4	Nut 3/8-16 Hex Flange Nyloc	
23	539 11 28-99	25	Nut 5/16-18 Hex Flange Nyloc	
24	593 16 73-01	2	Nut M5 Lock	
25	590 68 60-01	1	Washer 1/4 x 1-1/2	
26	593 17 51-01	3	Washer	
SERVICE KITS				
	593 60 24-01	1	Holdback Stem, Assembly	12, 22, 24, 26
	593 60 25-01	1	Holdback Base, Assembly	9, 12, 20, 22, 24, 27



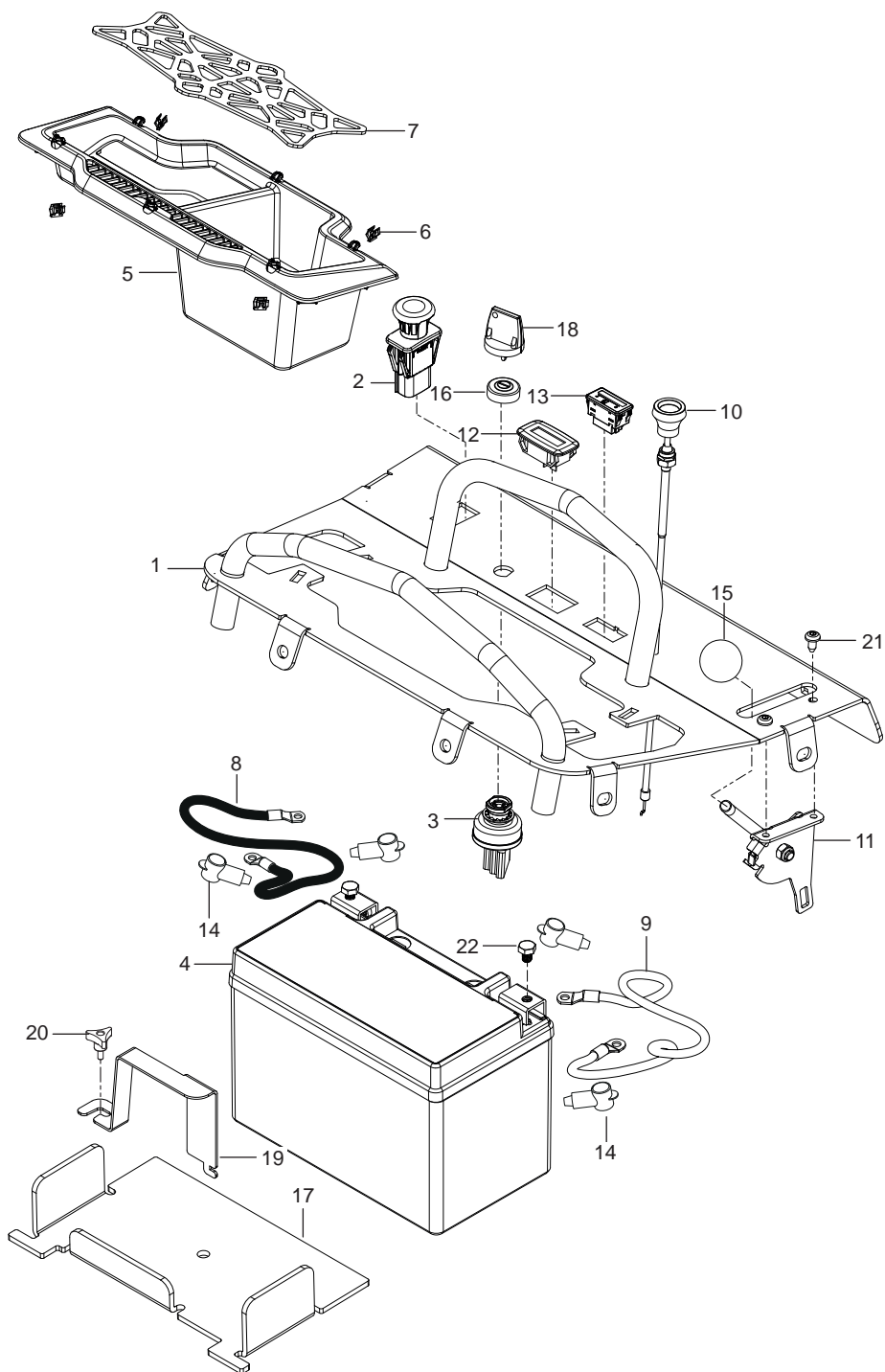
Ref.	Part No.	Qty	Description	Kit / Assy Includes
1	590 78 27-02	1	Chassis	
2	590 74 31-06	1	Cover Front	
3	590 74 27-02	1	Cover, PTO	
4	590 91 53-02	1	Plate, Baffle	
5	590 74 30-06	1	Bracket, Angle	
6	590 78 29-02	2	Footplate	
7	589 62 32-01	1	Cover, Pump	
8	589 52 74-01	2	Wheel, Gauge	
9	589 80 68-01	2	Retainer 3/8-16 U-Type	
10	590 74 29-06	1	Plate, Operator	
11	590 81 30-03	1	Shroud, Pump	
12	586 70 17-01	2	Spacer	
13	589 48 35-01	4	Spring, Tapered	
14	590 78 23-02	1	Tube, Skidplate	
15	592 85 74-01	3	Clip, Cable	
16	592 85 80-01	2	Bolt 1/2-13 x 3-1/2 Round Head Square Neck	
17	532 17 18-77	4	Bolt 5/16-18 x 3/4 Flange Head Serated Blk	
18	874 49 06-52	2	Bolt 3/8-16 x 3-1/2 Hex Flange Head	
19	539 12 27-28	2	Bolt 3/8-16 x 3 Round Head Square Neck	
20	872 11 06-18	2	Bolt 3/8-16 x 2-1/4 Round Head Square Neck	
21	872 11 05-14	2	Bolt 5/16 x 18 x 1-3/4 Round Head Sq Neck	
22	872 11 05-08	2	Bolt 5/16-18 x 1 Round Head Square Neck	
23	592 80 76-01	2	Bolt Shoulder 3/8-16	
24	592 85 79-01	2	Bolt 1/2-13 Hex Nyloc Ring	
25	592 85 84-01	8	Screw 10-24 x 3/8 Tap Torx	
26	592 85 82-01	4	Screw 3/8 Torx Thread Roll	
27	817 00 06-16	4	Screw 3/8-16 x 1 Tap Blk	
28	532 18 44-71	2	Screw Shoulder 10/24	
29	539 99 08-58	2	Screw 5/16-18 x 1/2 Thread Roll	
30	532 42 17-56	2	Screw #10	
31	539 10 80-10	2	Nut 1/2-13 Hex Jam Nyl Grade 2	
32	521 99 65-01	7	Nut 3/8-16 Hex Flange Nyloc	
33	539 11 28-99	4	Nut 5/16-18 Hex Flange Nyloc	
34	539 10 13-31	2	Nut 1/2-13 Hex Nyloc	
35	539 10 95-54	2	Washer 1/2 Flat	



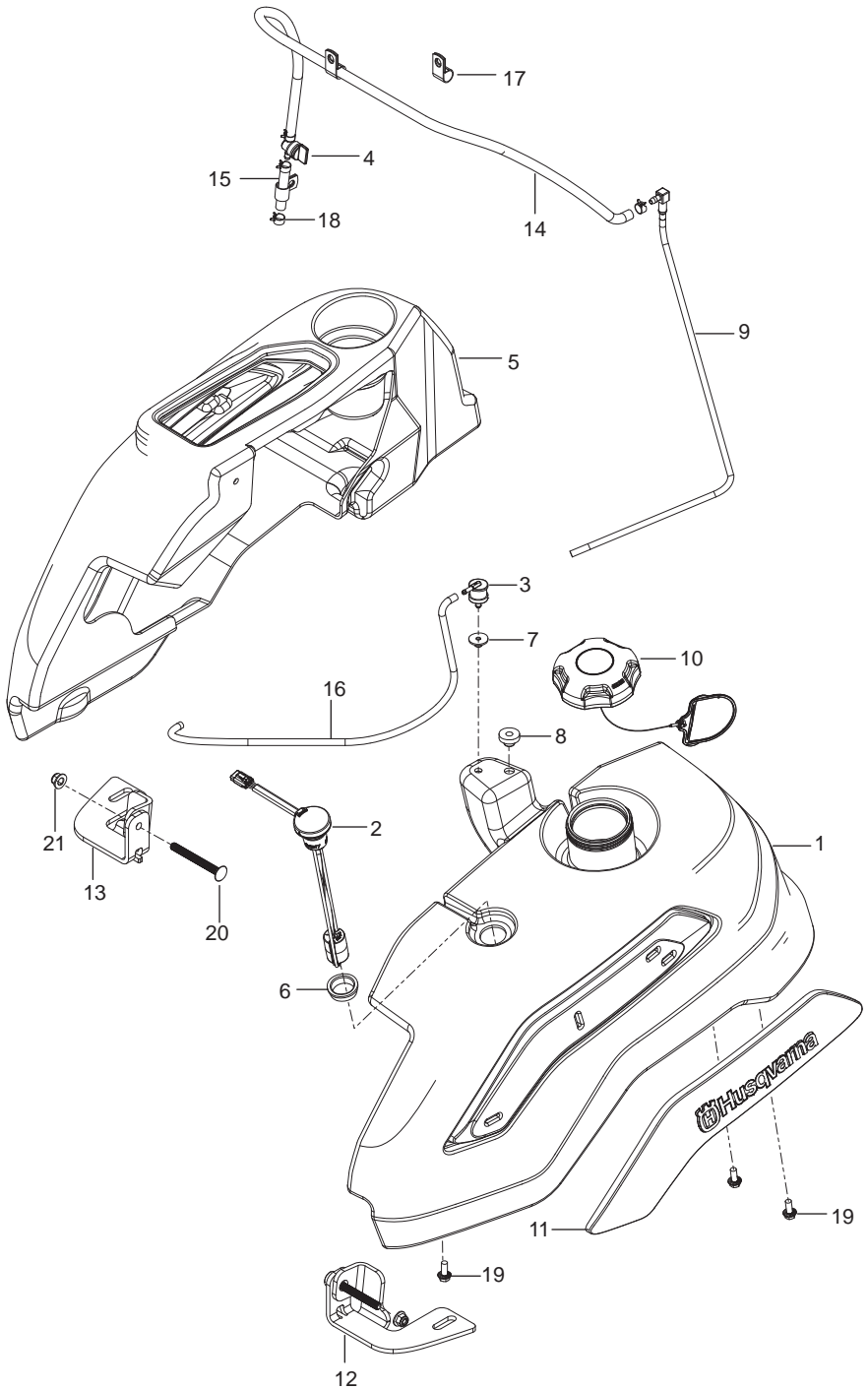
Ref.	Part No.	Qty	Description	Kit / Assy Includes
1	590 81 29-02	1	Plate, Engine	
2	589 41 46-01	1	Clutch Ogura GT2 75 6 85" Op	
3	522 59 90-01	1	Adapter, Oil Drain	
4	590 63 56-01	1	Block, Tensioner	
5	589 60 46-02	1	Bracket Clutch	
6	590 90 74-02	1	Bracket Muffler Mount	
7	589 80 73-02	1	Bracket, Tensioner Left	
8	589 80 74-02	1	Bracket, Tensioner Right	
9	590 64 68-01	4	Bushing, Sleeve	
10	590 92 27-01	2	U-Bolt 5/16-18 Muffler	
11	584 82 55-01	1	Assy Oil Drain Hose	
12	539 91 27-57	1	Key Sq 1/4 x 1-1/4	
13	589 72 16-01	1	Muffler, Vertical	
14	589 72 10-01	1	Tube, Muffler Left	
15	589 72 11-01	1	Tube, Muffler Right	
16	590 92 26-01	2	Clamp, Muffler U-Bolt	
17	589 60 38-01	1	Pulley, Flat Idler	
18	510 01 98-01	1	Pulley, Engine	
19	589 81 36-01	2	Shaft, Tensioner	
20	590 68 06-01	1	Spacer, Engine Pulley	
21	589 80 75-01	1	Spring	
22	585 80 71-01	1	Plug, Oil	
23	874 78 06-20	2	Bolt 3/8-16 x 1-1/4 Hex Head	
24	874 78 06-32	2	Bolt 3/8-16 x 2 Hex Head	
25	581 33 28-02	1	Bolt 7/16-20 x 2-1/2 Hex Head	
26	539 99 02-08	2	Bolt 5/16-18 x 1 Round Hd Square Neck	
27	872 11 06-14	4	Bolt 3/8-16 x 1-3/4 Round Hd Square Neck	
28	872 14 06-28	1	Bolt 3/8-16 x 3-1/2 Round Hd Square Neck	
29	590 00 33-01	3	Bolt M8 x 1-1/4 x 16 Serrated Flange	
30	592 85 87-01	2	Bolt 5/16-18 x 3/4 Hex FlangeHead	
31	539 11 55-74	2	Bolt Eye 5/16 x 3-1/2	
32	817 00 06-16	2	Screw 3/8-16 x 1 Tap Blk	
33	589 39 86-02	2	Screw 3/8-16 x 3-3/5 Round Hd	
34	521 99 65-01	10	Nut 3/8-16 Hex Flange Nyloc	
35	539 11 28-99	6	Nut 5/16-18 Hex Flange Nyloc	
36	539 99 05-85	4	Nut 5/16-18 Hex Whizlock	
37	539 99 02-23	4	Nut 5/16-24 Hex	
38	539 99 02-47	1	Washer 7/16 Slotted Lock	
39	539 91 20-63	6	Washer 406 Cone	
40	539 10 65-04	1	Washer, Harden	
SERVICE KITS				
	593 65 05-01	1	Slider, Tensioner Assembly	4, 9
	593 65 06-01	1	Clutch, Assembly (includes harness)	2
NOT SHOWN				
	592 96 47-01	1	Jumper, Harness Blade Clutch 1" Engine, Kawasaki FX751V 24.5 HP	
	-----		For Engine replacement parts, See Kawasaki dealer	



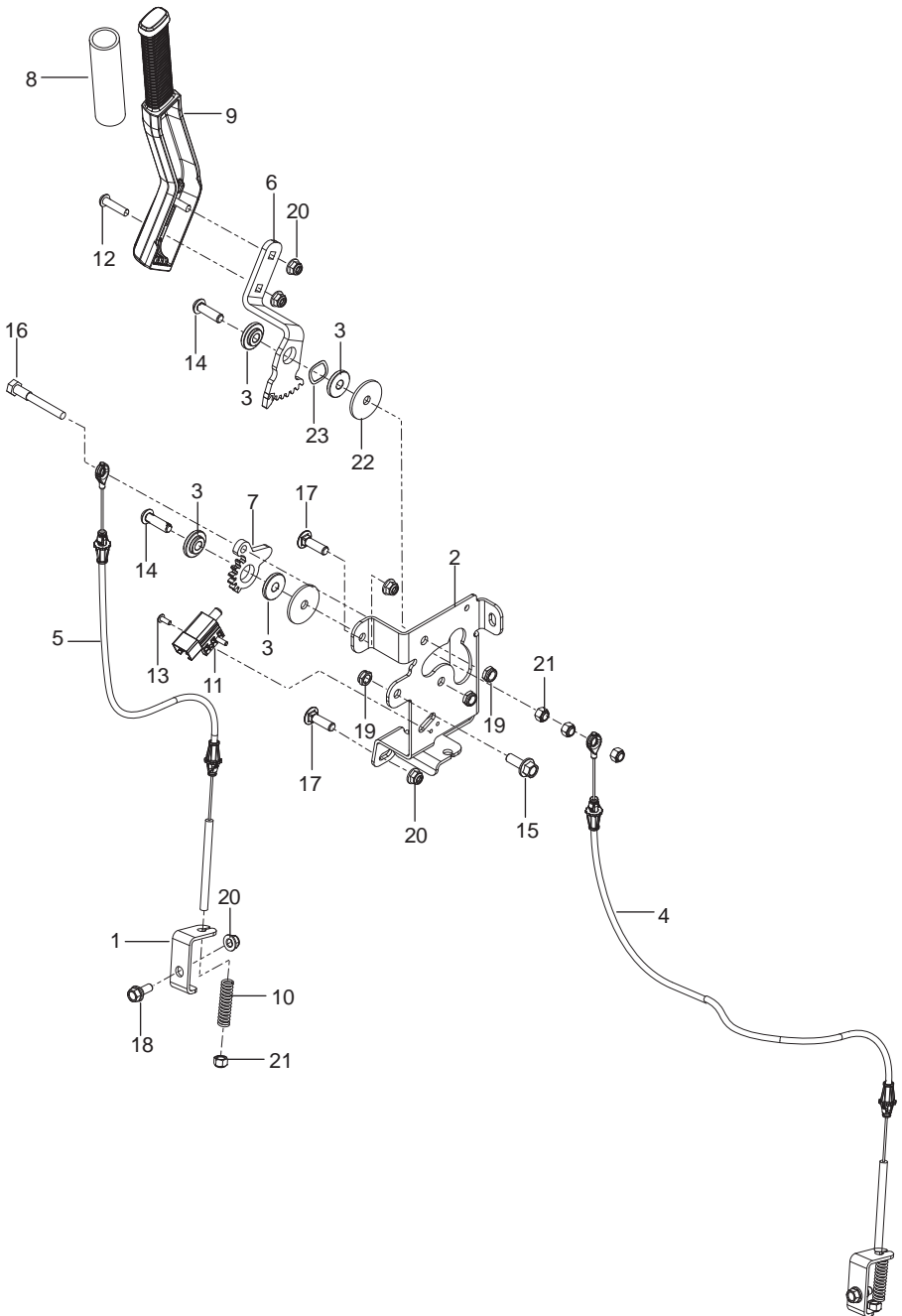
Ref.	Part No.	Qty	Description	Kit / Assy Includes
1	590 62 35-02	1	Lever, Control Left	
2	582 68 67-02	1	Lever, Control Right	
3	590 62 45-01	1	Spring, Torsion	
4	582 68 79-01	2	Linkage, Control	
5	532 42 10-62	1	Switch, NC	
6	539 13 15-18	10	Bearing, Flange	
7	582 68 75-02	1	Bellcrank, Control	
8	590 62 42-02	1	Bellcrank, Controls Blk	
9	590 60 01-02	1	Bracket, Pivot Left	
10	590 60 00-02	1	Bracket, Pivot Right	
11	582 55 19-01	2	Clip, Retainer	
12	590 62 39-01	2	Grip	
13	539 10 50-59	2	Lanyard	
14	588 69 26-01	6	Rod End, Female	
15	588 69 25-02	2	Rod End, Male	
16	582 68 73-01	3	Spacer, Pivot Long	
17	582 68 73-02	2	Spacer, Pivot Short	
18	592 72 72-01	1	Screw 1/4-20 x 3/4 Hex Set	
19	589 39 86-02	3	Bolt 3/8-16 x 3-3/4 Round Hd Square Neck	
20	872 11 06-22	2	Bolt 3/8-16 x 2-3/4 Round Hd Sq Neck Short.	
21	539 10 72-71	12	Bolt 5/16-18 x 1 Round Hd Square Neck	
22	873 22 04-00	1	Nut 1/4-20 Hex	
23	521 99 65-01	5	Nut 3/8-16 Hex Flange Nyloc	
24	539 11 28-99	12	Nut 5/16-18 Hex Flange Nyloc	
25	819 13 16-16	5	Washer 13/32 16 Gauge	
SERVICE KITS				
	582 68 66-01	1	Lever, Right Assembly	2, 6, 12
	593 26 01-01	1	Lever, Left Assembly	1, 6, 12
	582 68 74-01	2	Bellcrank, Control Assembly	6, 7
	582 68 78-01	1	Lever Controls, Left Assembly	1, 3, 5, 6, 8, 15, 16, 20, 21, 23, 24



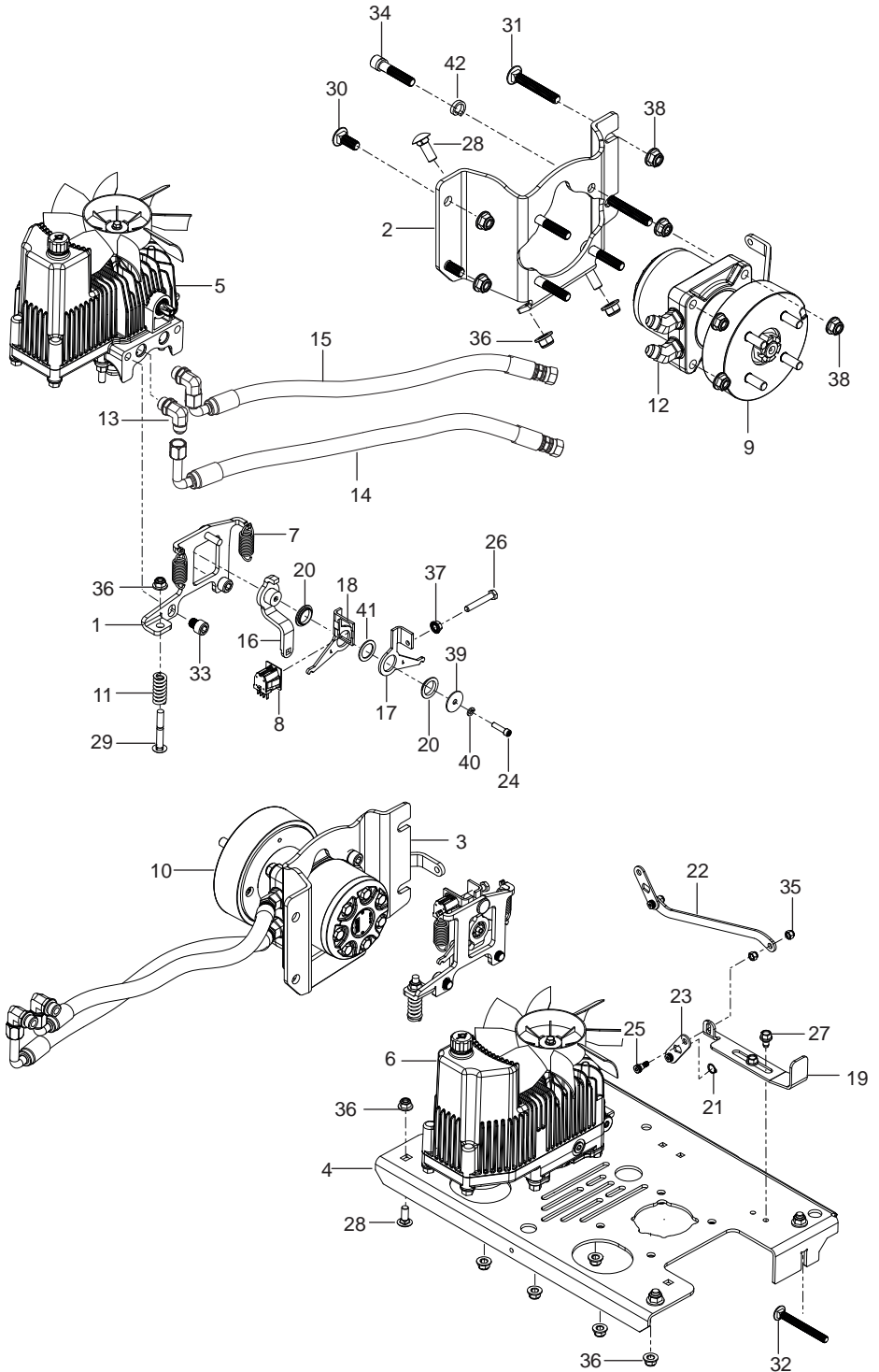
Ref.	Part No.	Qty	Description	Kit / Assy Includes
1	501 86 62-02	1	Panel, Control	
2	589 88 72-01	1	Switch, Blade	
3	574 45 54-01	1	Switch, Ignition	
4	589 81 95-01	1	Battery	
5	582 68 58-02	1	Tray, Storage Gry	
6	582 68 59-01	4	Clip, Trim	
7	592 84 33-01	1	Net, Cargo	
8	592 83 83-01	1	Cable Negative	
9	592 83 83-01	1	Cable Positive	
10	574 20 69-03	1	Cable, Choke	
11	582 68 87-01	1	Cable Throttle	
12	586 16 18-01	1	Gauge, Service	
13	592 87 27-02	1	Gauge, Fuel Level	
14	539 10 27-59	4	Insulator, Battery	
15	539 13 26-24	1	Knob, Shift	
16	539 10 31-78	1	Cap, Switch Blk	
17	590 57 70-01	1	Pad, Battery	
18	574 45 55-01	2	Key, Ignition	
19	590 92 76-06	1	Strap, Battery Gry	
20	539 10 44-11	1	Knob w/ Stud	
21	532 19 98-55	2	Screw 1/4-20 Panhead	
22	582 46 08-01	2	Screw M6 x 8mm Hex Cap	
SERVICE KITS				
	593 66 41-01	1	Tray, Assembly	5, 6
	593 66 42-01	1	Ignition, Assembly	3, 16, 18
NOT SHOWN				
	592 87 68-01	1	Harness, Main	
	589 83 85-01	1	Adapter, Harness	
	592 83 08-01	1	Jumper, Harness 42"	



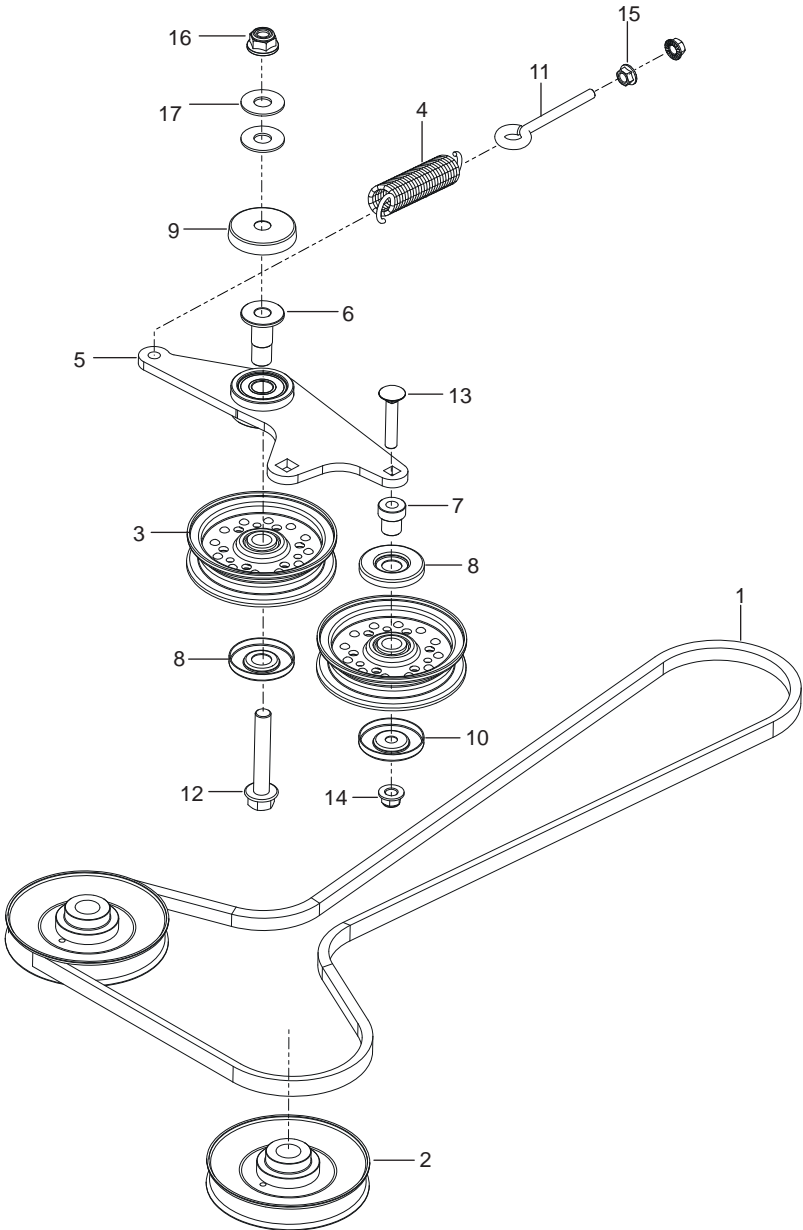
Ref.	Part No.	Qty	Description	Kit / Assy Includes
1	582 04 69-01	1	Assy, Fuel Tank	2, 3, 6, 7, 8, 9, 10
2	590 63 88-01	1	Sensor, Fuel Level	
3	576 61 81-01	1	Valve, Roll Over	
4	539 91 63-25	1	Valve, Fuel	
5	582 04 73-01	1	Console	
6	590 20 91-01	1	Grommet, Fuel Sensor	
7	584 64 82-01	1	Grommet, Valve	
8	532 00 36-45	1	Grommet, Fuel	
9	582 68 81-01	1	Assy, Fuel Tube	
10	575 01 81-01	1	Cap, Fuel	
11	582 48 34-01	1	Cover Left	
	582 48 24-01	1	Cover Right	
12	582 68 82-02	1	Bracket, Mount Left	
13	582 68 82-04	1	Bracket, Mount Right	
14	587 04 48-43	1	Hose 1/4 x 43" Fuel	
15	587 04 48-03	1	Hose 1/4 x 3" Fuel	
16	587 04 45-23	1	Hose 3/16 x 23" Vapor	
17	592 72 43-01	3	Clamp, P Type	
18	532 12 34-87	4	Clamp, Hose	
19	592 85 87-01	6	Bolt 5/16-18 x 3/4 Hex Flange Head	
20	592 85 91-01	2	Bolt 3/8-16 x 3-1/2 Round Head Square Neck	
21	521 99 65-01	2	Nut 3/8-16 Hex Flange Nyloc	



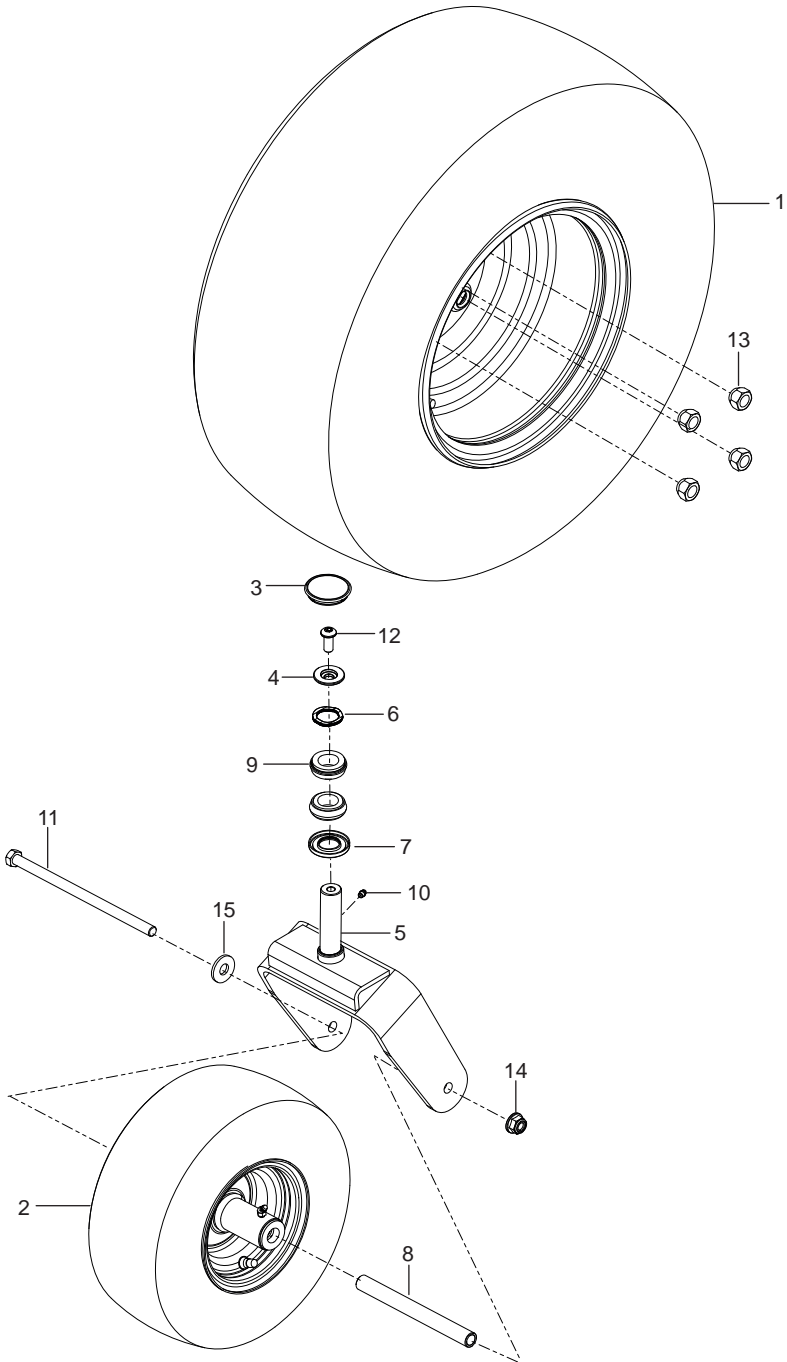
Ref.	Part No.	Qty	Description	Kit / Assy Includes
1	590 72 11-01	2	Bracket, Pivot	
2	590 70 60-02	1	Bracket	
3	539 13 21-61	4	Bushing, Brake	
4	590 58 66-01	1	Cable, Park Left	
5	590 58 67-01	1	Cable, Park Right	
6	590 20 43-01	1	Gear, Input	
7	590 20 45-01	1	Gear, Output	
8	592 61 93-01	1	Grip , Handle	
9	588 67 04-01	1	Lever	
10	590 87 82-01	2	Spring, Compression	
11	532 10 95-53	1	Switch, Interlock	
12	578 29 64-03	2	Screw 5/16-18 x 1-1/4 Button Head	
13	586 93 60-01	2	Screw 10-24 x 1/2 Patch Button Head	
14	590 86 26-01	2	Screw Hex Socket Button Head	
15	525 61 28-01	1	Bolt 3/8-16 x 1 Hex Flange Hed	
16	590 79 08-01	1	Bolt 5/15-18 x 2-3/4 Hex Head Shoulder	
17	539 10 72-71	2	Bolt 5/16-18 x 1 Round Head Square Neck	
18	539 11 03-03	2	Bolt 5/16 Shoulder	
19	539 20 02-82	3	Nut 3/8-16 Hex Jam Nyloc	
20	539 11 28-99	6	Nut 5/16-18 Hex Flange Nyloc	
21	539 99 07-17	5	Nut 5/16-18 Hex Nyloc	
22	539 11 18-97	2	Washer 3/8 Special	
23	539 13 30-07	1	Washer, Wave	
SERVICE KITS				
	593 26 11-01	1	Lever, Assembly	8, 9, 12
	593 26 12-01	1	Brake, Assembly	2, 3, 6, 7, 14, 19, 22, 23



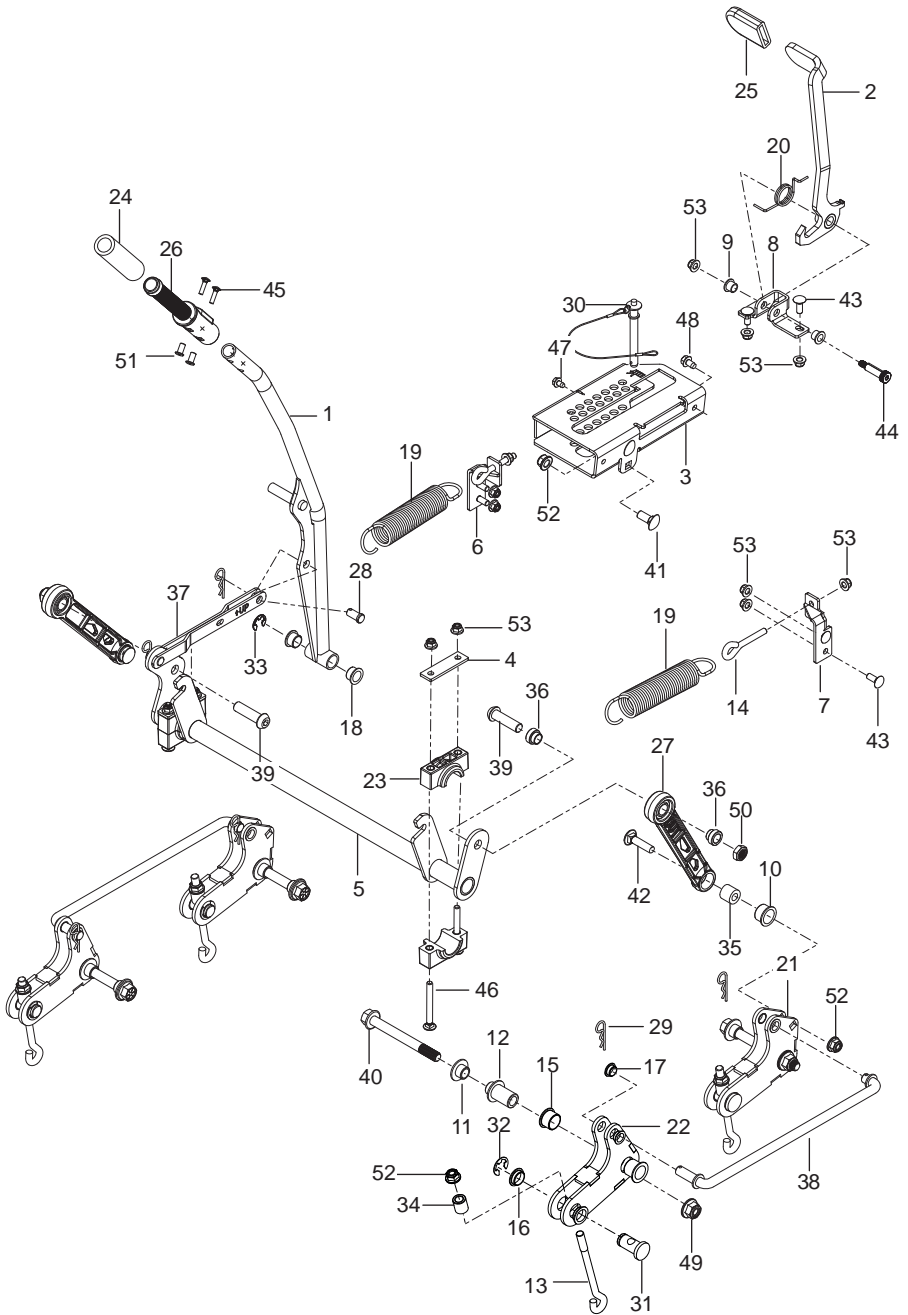
Ref.	Part No.	Qty	Description	Kit / Assy Includes
1	590 62 60-02	1	Bracket, Return Left	
	590 62 60-04	1	Bracket, Return Right	
2	582 63 59-03	1	Bracket, Mounting Left Black	
3	582 63 59-04	1	Bracket, Mounting Right Black	
4	582 64 11-02	1	Plate, Mounting Blk	
5	589 39 81-01	1	Pump 12cc Left	
6	589 39 81-02	1	Pump 12cc Right	
7	589 56 96-01	4	Spring, Return	
8	587 64 84-01	2	Switch, NC/NO	
9	589 42 18-01	1	Motor, Hydraulic 195cc Left	
10	589 42 18-02	1	Motor, Hydraulic 195cc Right	
11	539 11 39-52	2	Spring	
12	589 39 84-01	4	Fitting 45° Elbow	
13	589 39 85-01	4	Fitting 90° Elbow	
14	589 41 92-01	2	Hose, Hydraulic Lower Blk	
15	589 41 93-01	2	Hose, Hydraulic Upper Blu	
16	589 52 47-01	2	Arm, Control	
17	590 62 64-01	1	Arm, Bracket Left	
	590 62 64-02	1	Arm, Bracket Right	
18	589 56 94-01	1	Arm, Switch Left	
	589 56 94-02	1	Arm, Switch Right	
19	582 68 86-03	1	Pull, Bypass	
20	582 68 88-01	4	Bushing, Flange	
21	592 85 75-01	2	Clip, C	
22	582 68 85-02	1	Link, Pump Bypass	
23	582 68 84-02	2	Plate, Pivot	
24	590 68 08-01	2	Bolt 1/4-20 x 1 Socket Head	
25	592 85 83-01	3	Bolt 1/4 x 5/16 Shoulder	
26	539 10 83-95	2	Bolt 5/16 x 2 Hex Head Tap	
27	532 16 54-92	2	Bolt 5/16-18 Shoulder	
28	539 99 06-45	6	Bolt 3/8-16 x 1 Round Head Square Neck	
29	872 11 06-20	2	Bolt 3/8-16 x 2-1/2 Round Head Square Neck	
30	582 69 25-01	4	Bolt 1/2-13 x 1-1/2 Round Head Square Neck	
31	582 69 25-02	4	Bolt 1/2-13 x 3-1/2 Round Head Square Neck	
32	589 39 86-01	2	Bolt 3/8-16 x 3-1/2 Round Head Square Neck	
33	582 68 18-01	4	Screw 1/2-20 x 1/2 Socket Head Cap	
34	582 69 23-01	8	Screw 1/2-13 x 2-1/2	
35	539 97 69-78	3	Nut 1/4-20 Hex Nyloc	
36	521 99 65-01	8	Nut 3/8-16 Hex Flange Nyloc	
37	539 99 05-85	2	Nut 5/16-18 Hex Whizlock	
38	521 99 11-01	8	Nut 1/2-13 Hex Flange Nyloc	
39	590 68 60-01	2	Washer 1-1/2	
40	810 04 04-00	2	Washer Lock	
41	590 77 88-01	2	Washer, Nylon	
42	582 69 24-01	8	Washer, Lock	
SERVICE KITS				
	593 26 04-01		Speed Control Assembly, Left	8, 16, 17, 18, 20, 24, 26, 37, 39, 40, 41
	593 26 04-02		Speed Control Assembly, Right	8, 16, 17, 18, 20, 24, 26, 37, 39, 40, 41



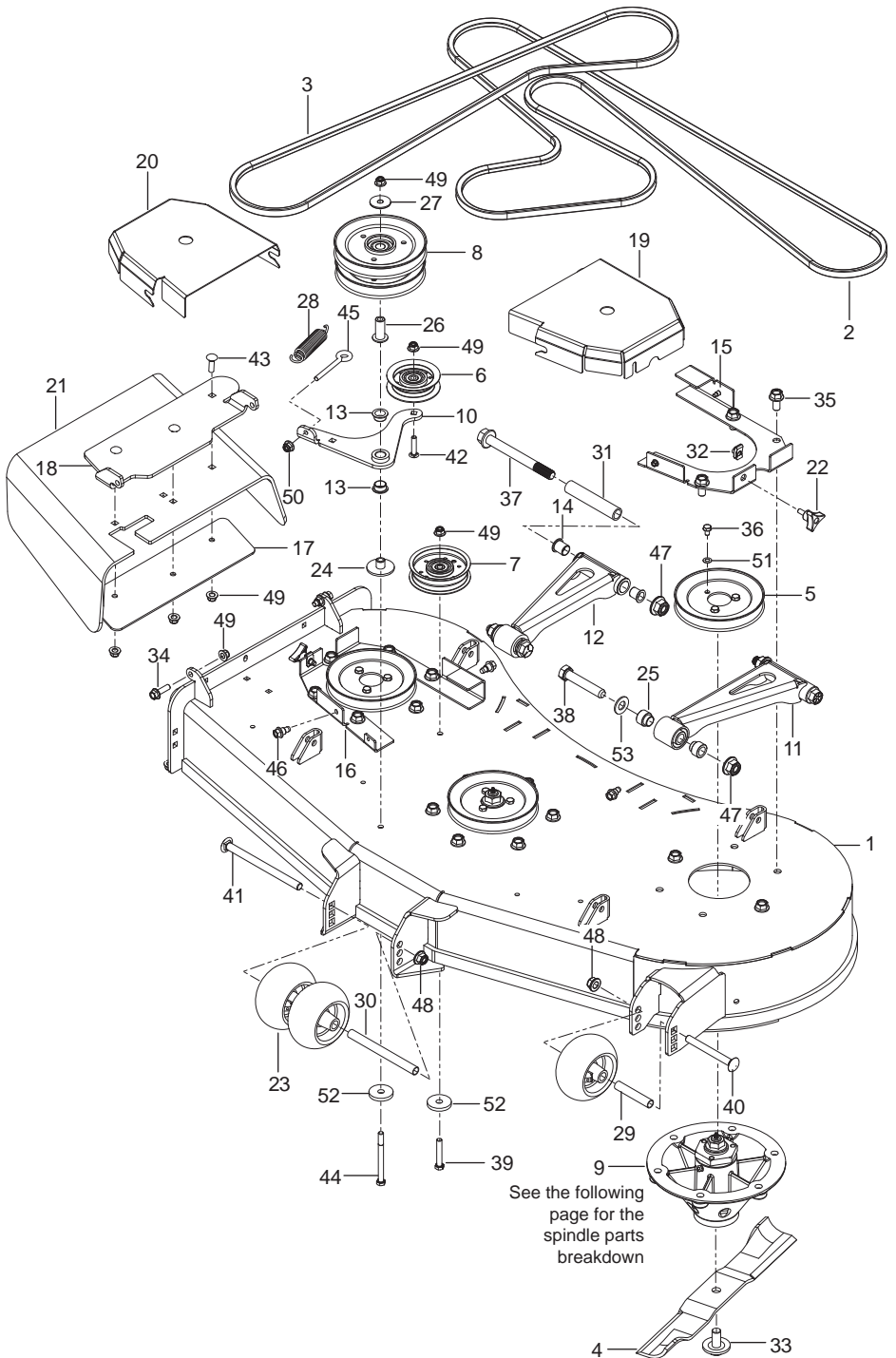
Ref.	Part No.	Qty	Description	Kit / Assy Includes
1	582 48 04-03	1	Belt	
2	589 39 83-01	2	Pulley, 5"	
3	539 97 66-88	2	Pulley, Idler	
4	577 43 72-01	1	Spring, Extension	
5	574 89 11-04	1	Arm, Idler w /Bearing	
6	574 97 56-01	1	Bushing, Pivot	
7	525 43 56-01	1	Pivot, Idler	
8	510 26 22-01	2	Shield, Dust	
9	539 11 46-62	1	Shield, Dust	
10	510 25 45-01	1	Shield, Dust	
11	539 11 55-74	1	Eyebolt 5/16 x 3-1/2	
12	525 82 89-01	1	Bolt 1/2-13 x 3 Hex Flange Head	
13	539 10 01-45	1	Bolt 3/8-16 x 2 Round Head Square Neck	
14	521 99 65-01	1	Nut 3/8-16 Hex Flange Nyloc	
15	539 99 05-85	2	Nut 5/16-18 Hex Whizlock	
16	521 99 11-01	1	Nut 1/2-13 Hex Flange Nyloc	
17	539 99 05-50	2	Washer 14 Gauge	



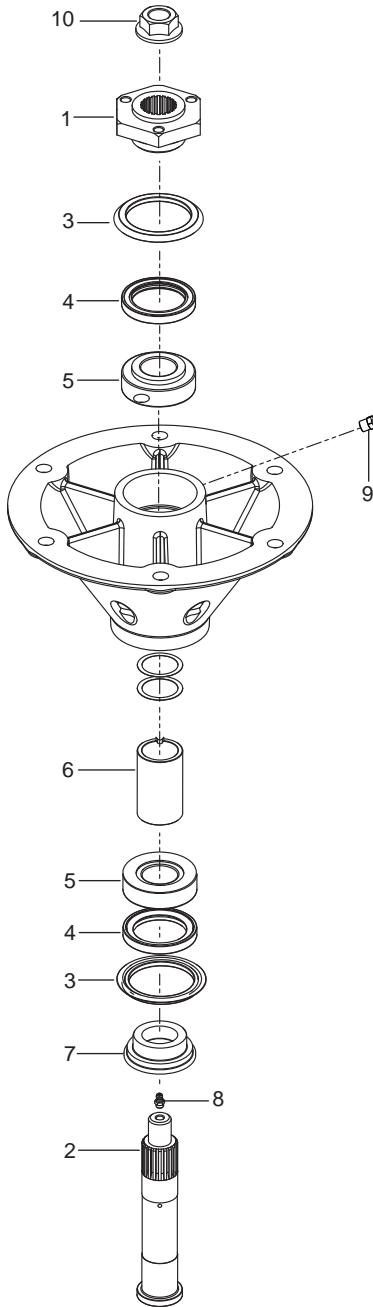
Ref.	Part No.	Qty	Description	Kit / Assy Includes
1	590 70 48-01	2	Wheel Asm 20 x 10-10 Rear	
2	581 19 95-01	2	Wheel.13 x 6.50 Caster	
3	590 70 00-01	2	Cap, Dust	
4	591 42 51-01	2	Cap, Spring	
5	590 67 46-02	2	Fork, Caster Org	
6	590 68 16-01	2	Spring, Nested Wave	
7	539 10 28-51	2	Seal	
8	575 33 49-01	2	Spacer, Pivot	
9	539 10 25-43	4	Bearing	
10	539 10 14-74	2	Zerk	
11	539 10 55-17	2	Bolt 1/2-13 x 9-1/2	
12	591 45 73-01	2	Screw 7/16-14 x 1 Socket Button Head	
13	587 65 39-02	8	Nut 1/2-20 Unf-2B Grade 8 YI	
14	521 99 11-01	2	Nut 1/2-13 Hex Flange Nyloc	
15	819 18 22-12	2	Washer 9/16 x 1 3/8 X 12	



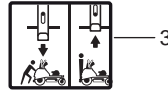
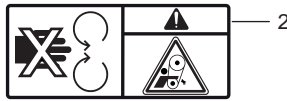
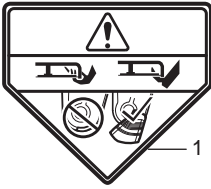
Ref.	Part No.	Qty	Description	Kit / Assy Includes
1	590 89 78-02	1	Lever, Deck Lift	
2	590 85 05-02	1	Latch, Transport	
3	589 66 51-02	1	Plate, Height Select	
4	525 82 22-01	2	Plate, Pillow Block	
5	590 19 78-02	1	Shaft, Deck Lift	
6	590 67 30-02	1	Bracket, Spring Left	
7	590 67 29-02	1	Bracket, Spring Right	
8	590 68 02-02	1	Bracket, Transport	
9	591 04 21-01	2	Bushing	
10	590 86 65-01	2	Bushing Nylon 1 x 3/4"	
11	589 41 41-01	8	Bushing, Pivot Inside	
12	589 41 42-01	4	Bushing, Pivot Outside	
13	576 47 90-01	4	Eyebolt 1/2-13 x 6-3/4	
14	539 10 74-84	2	Eyebolt 3/8-16 x 1-3/4	
15	501 60 37-02	8	Bearing Flange 1"	
16	501 60 37-03	8	Bearing Flange 7/8"	
17	501 60 37-04	6	Bearing Flange 5/8"	
18	539 13 15-18	2	Bearing, Flange	
19	590 00 32-01	2	Spring, Extension	
20	590 85 61-01	1	Spring, Torsion	
21	589 60 51-02	2	Bellcrank Rear	
22	589 60 49-02	2	Bellcrank Front	
23	510 02 39-02	4	Block, Pillow	
24	592 72 39-01	1	Grip, Lift Handle	
25	591 04 19-01	1	Grip, Transport	
26	590 96 03-02	1	Handle, Lift Lever	
27	592 72 78-01	2	Link, Deck Lift	
28	590 86 64-01	2	Pin 1/2 x 1 Clevis	
29	539 97 69-89	6	Pin 2-1/2 Hair	
30	590 46 55-01	1	Pin 3-1/2 Height Adjust	
31	589 41 43-01	4	Pin, Trunnion	
32	590 67 33-01	5	Ring E-Clip 7/8"	
33	590 00 29-01	1	Ring E-Clip 3/4"	
34	576 48 58-01	4	Spacer, Eyebolt	
35	590 00 35-02	2	Spacer, Pivot	
36	510 36 25-01	4	Spacer, Strut	
37	590 66 24-01	1	Strap	
38	589 41 44-01	2	Rod, Deck Lift	
39	592 80 77-01	2	Bolt 5 8-11 x 2-1/2 Button Head Torx	
40	590 67 87-01	4	Bolt 5/8-11 x 6 Grade 8	
41	592 80 80-01	2	Bolt 1/2-13 x 1-1/4 Round Head Square Neck	
42	592 80 79-01	2	Bolt 1/2-13 x 2 Round Head Square Neck	
43	539 99 06-45	6	Bolt 3/8-16 x 1 Round Head Square Neck	
44	592 80 76-01	1	Bolt 3/8-16 x 2 Shoulder Socket Head	
45	592 80 78-01	2	Bolt 1/4-20 x 3/4 Round Head Sq Short Neck	
46	592 85 91-01	4	Bolt 3/8-16 x 3-1/2 Round Head Square Neck	
47	539 99 08-58	1	Screw 5/16-18 x 1/2 Thread Roll	
48	817 49 06-10	1	Screw 3/8-16 x 5/8 Hex Washer Head	
49	525 82 91-01	4	Nut 5/8-11 Hex Flange Nyloc	
50	589 67 77-01	2	Nut 5/8-11 Hex Head Thin Nyloc	
51	592 80 82-01	2	Nut, Hexagon Socket Cap	
52	521 99 11-01	8	Nut 1/2-13 Hex Flange Nyloc	
53	521 99 65-01	15	Nut 3/8-16 Hex Flange Nyloc	
SERVICE KITS				
	593 64 37-01	1	Handle, Lift Assembly	24, 26
	593 64 38-01	1	Latch, Transport Assembly	2, 8, 9, 20, 25, 43, 44, 48
	593 64 39-01	1	Deck Lift, Linkage Assembly	10, 27
	593 65 07-01	1	Bellcrank Front, Assembly	15, 16, 17, 22
	593 65 07-02	1	Bellcrank Rear, Assembly	15, 16, 17, 21



Ref.	Part No.	Qty	Description	Kit / Assy Includes
1	593 12 56-01	1	Deck w/ Safety Decals	
2	501 85 14-01	1	Belt, Deck	
3	592 87 35-01	1	Belt, Deck Drive	
4	582 10 77-02	3	Blade 18-1/2"	
5	539 13 06-46	3	Pulley	
6	590 54 24-01	1	Pulley Idler Flat 3"	
7	590 54 25-01	1	Pulley Idler Flat 4"	
8	589 59 57-01	1	Pulley, Stacked	
9	580 94 33-06	3	Spindle, Cast Iron	
10	589 80 85-02	1	Arm, Tensioner	
11	590 18 58-02	1	Arm, Drawbar Left	
12	590 18 59-02	1	Arm, Drawbar Right	
13	501 60 37-06	2	Bearing Flange 3/8	
14	501 60 37-05	4	Bearing Flange 1-1/2	
15	589 60 37-02	1	Bracket Cover Left	
16	589 41 87-02	1	Bracket Cover Right	
17	589 41 81-03	1	Bracket Deflector Lower	
18	589 41 82-03	1	Bracket Pnt Deflector Upper	
19	590 18 38-02	1	Cover Pulley Left	
20	589 41 85-02	1	Cover Pulley Right	
21	592 79 74-01	1	Deflector, Deck	
22	539 10 44-11	2	Knob W/ Stud	
23	574 16 96-01	3	Roller, Gauge	
24	590 18 53-01	1	Spacer, Arm	
25	590 32 52-01	4	Spacer, Bearing	
26	590 18 54-01	1	Spacer, Pulley	
27	590 18 55-01	1	Spacer, Pulley	
28	539 10 68-50	1	Spring	
29	574 19 64-01	1	Tube, Roller Axle	
30	574 19 65-01	1	Tube, Roller Axle Long	
31	590 32 53-01	2	Tube, Spacer	
32	539 10 47-63	2	Retainer-U Type 5/16-18 Nut	
33	539 11 90-07	3	Bolt/Washer, Blade	
34	525 83 42-01	2	Bolt 3/8-16 x 1-1/2 Hex Flange Head	
35	574 21 06-01	18	Bolt 1/2-13 x 1 Hex Flange Head	
36	539 13 03-15	9	Bolt 5/16-18 x 1/2 Hex Head	
37	590 67 87-01	2	Bolt 5/8-11 x 6 Hex Head Grade 8	
38	580 75 46-01	2	Bolt 5/8-11 x 3-1/2 Hex Head	
39	874 78 06-36	1	Bolt 3/8-16 x 2-1/4 Hex Head	
40	510 02 23-01	1	Bolt 1/2-13 x 4-3/4 Round Hd Square Neck	
41	872 14 08-64	1	Bolt 1/2-13 x 8 Round Head Square Neck	
42	539 99 09-23	1	Bolt 3/8-16 x 1-3/4 Round Hd Square Neck	
43	872 14 06-10	3	Bolt 3/8-16 x 1-1/4 Round Hd Square Neck	
44	590 67 86-01	1	Bolt 3/8-16 x 4-1/4	
45	539 11 55-74	1	Bolt Eye 5/16 x 3-1/2	
46	532 19 65-39	4	Bolt Shoulder	
47	525 82 91-01	4	Nut 5/8-11 Hex Flange Nyloc	
48	521 99 11-01	2	Nut 1/2-13 Hex Flange Nyloc	
49	521 99 65-01	8	Nut 3/8-16 Hex Flange Nyloc	
50	539 11 28-99	1	Nut 5/16-18 Hex Flange Nyloc	
51	539 10 96-00	9	Washer 5/16 Disc Spring	
52	539 10 65-04	2	Washer 1-3/4 Harden	
53	819 21 21-13	2	Washer 13 Gauge	
SERVICE KITS				
	593 65 09-01	1	Arm, Tensioner Assembly	10, 13
	593 65 10-01	1	Arm, Right Drawbar Assembly	12, 14
	593 65 11-01	1	Arm, Left Drawbar Assembly	11, 14



Ref.	Part No.	Qty	Description	Kit / Assy Includes
1	580 94 22-01	3	Hub	
2	580 94 21-01	3	Shaft, Spindle	
3	580 94 27-01	3	Seal, V Ring	
4	580 94 26-01	6	Seal, Shaft	
5	580 94 18-01	6	Bearing	
6	580 94 23-01	3	Spacer	
7	580 94 25-01	3	Carrier, Seal	
8	539 97 69-98	3	Zerk	
9	539 97 73-26	3	Valve, Grease Poppet	
10	539 13 06-53	3	Nut 3/4-16 Hex Flange	
NOT SHOWN				
	574 75 42-01	1	Kit, Bearing Assembly When replacing the Spindle bearings, order the Bearing Assembly Kit to assure proper installation	



		Charging Current	20 A
		Acc. Accessories	10 A
Indicator	5 A	PTD / PFC	7,5 A
		Main	20 A

SERVICE CHART					
	1	2	3	4	5
50 h					
250 h					
1/365					
1/12					
12/12					

1/365: EVERY DAY | 1/12: EVERY MONTH | 12/12: EVERY YEAR

LUBRICATE CHANGE FILTER
 CHANGE OIL INSPECT

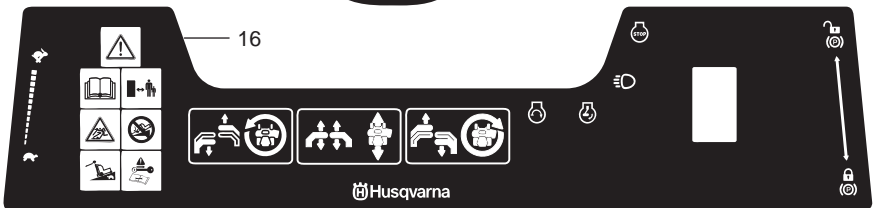
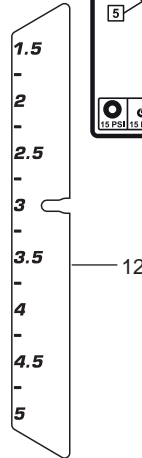
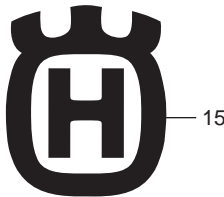
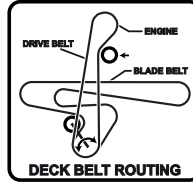
1.5 PSI | 10 PSI REFER TO OPERATOR MANUAL FOR COMPLETE SERVICE SCHEDULE

TO START

- CONTROL LEVERS REMAIN IN NEUTRAL (CENTER POSITION)
- CHECK THAT PTO SWITCH IS DISENGAGED (DOWN POSITION)
- ASSURE PARKING BRAKE IS ENGAGED (REARWARD POSITION)
- SET THROTTLE TO THE MIDDLE POSITION UTILIZE THE CHOKE FOR COLD STARTS (SEE MANUAL)
- TURN KEY AND RELEASE WHEN ENGINE STARTS
- ALLOW THE ENGINE TO RUN AT A T
- MODERATE SPEED FOR A SHORT TIME BEFORE USE. RETURN SPRING FOR TRANSPORT MODE

ONCE ENGINE IS RUNNING

- MOVE THROTTLE TO MAXIMUM BRM
- PUSH LEFT HANE CONTROL LEVER DOWNWARD
- PUSH BRAKE LEVER FORWARD TO RELEASE
- ENGAGE PTO SWITCH
- MOVE AND STEER USING CONTROL LEVERS



Ref.	Part No.	Qty	Description	Kit / Assy Includes
1	584 90 46-01	1	Decal, Blade Warning	
2	539 10 57-44	1	Decal, Belt Danger	
3	590 79 95-01	1	Decal, Bypass Release	
4	539 10 57-45	1	Decal, Battery Warning	
5	581 72 44-01	1	Decal, Deflector Warning	
6	591 18 22-01	1	Decal, Fuse	
7	591 18 21-01	1	Decal, Service	
8	593 36 76-01	1	Decal, Starting	
9	590 64 46-01	1	Decal, Belt Routing	
10	581 72 43-01	2	Decal, No Step	
11	590 79 98-01	1	Decal, Logo	
12	590 79 94-01	1	Decal, Deck Height	
13	590 79 97-01	1	Decal, V554	
14	539 10 18-81	1	Decal, Exhaust Warning	
15	532 42 86-77	1	Decal, Crown H	
16	590 79 96-01	1	Decal, Console	



www.husqvarna.com

2018-05-15