



 **Husqvarna**<sup>®</sup>



325L

EN	Operator's manual	2-19
ES-MX	Manual del usuario	20-38
FR-CA	Manuel d'utilisation	39-57

---

## Contents

---

Introduction.....	2	Troubleshooting.....	17
Safety.....	4	Transportation, storage and disposal.....	18
Assembly.....	8	Technical data.....	18
Operation.....	9	Accessories.....	19
Maintenance.....	15		

---

## Introduction

---

### Operator's manual

The initial language of this operator's manual is English. Operator's manuals in other languages are translations from English.

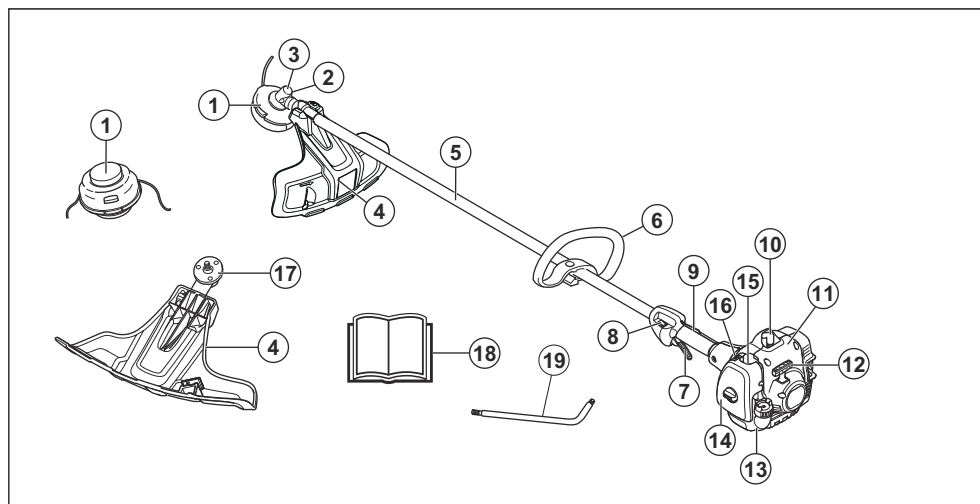
**Note:** National regulations can set limit to the operation of the product.

---

### Intended use

The product is used with a trimmer head to cut grass. Do not use the product for other tasks than grass trimming and grass clearing.

### Product overview



- |                             |                                |
|-----------------------------|--------------------------------|
| 1. Trimmer head             | 10. Spark plug cap, spark plug |
| 2. Grease filler cap        | 11. Starter housing            |
| 3. Bevel gear               | 12. Starter rope handle        |
| 4. Cutting attachment guard | 13. Fuel tank                  |
| 5. Shaft                    | 14. Air filter cover           |
| 6. Loop handle              | 15. Air purge bulb             |
| 7. Throttle trigger         | 16. Choke control              |
| 8. Stop switch              | 17. Drive disc                 |
| 9. Throttle trigger lockout | 18. Operator's manual          |

## 19. Star key

### Symbols on the product



**WARNING!** This product is dangerous. Injury or death can occur to the operator or bystanders if the product is not used carefully and correctly. To prevent injury to the operator or bystanders, read and obey all safety instructions in the operator's manual.



Please read the operator's manual carefully and make sure that you understand the instructions before use.



Use approved hearing protection. Use approved eye protection.



Make sure that long hair is put up above your shoulders.



The product can cause objects to eject, which can cause injury.



Maximum speed of the output shaft.



Keep a minimum of 15 m / 50 ft distance to persons and animals during operation of the product.



Use only flexible trimmer line



Do not use metal cutting elements



The arrows show the limits for the position of the handle.



Air purge bulb.



Choke.



Refuelling.

The rating plate shows the serial number. **yyyy** is the production year, **ww** is the production week and **xxxx** is the sequential number.

**yyyywwxxxx**

**Note:** Other symbols/decals on the product refer to certification requirements for other commercial areas.

### Product liability

As referred to in the product liability laws, we are not liable for damages that our product causes if:

- the product is incorrectly repaired.
- the product is repaired with parts that are not from the manufacturer or not approved by the manufacturer.
- the product has an accessory that is not from the manufacturer or not approved by the manufacturer.
- the product is not repaired at an approved service center or by an approved authority.

### EPA III



The Emissions Compliance Period referred to on the Emission Compliance label indicates the number of operating hours for which the engine has been shown to meet Federal emissions requirement. Maintenance, replacement or repair of the emission control devices and system may be performed by any nonroad engine repair establishment or individual.

## Proposition 65



### WARNING

The engine exhaust from this product contains chemicals known to the State of California to cause cancer, birth defects or other reproductive harm.

---

## Safety

---

### Vibration safety

This product is for occasional operation only. Continuous or regular operation of the product can cause "white finger" or equivalent medical problems from vibrations. Examine the condition of your hands and fingers if you operate the product continuously or regularly. If your hands or fingers have discoloration, have pain, tingle, or are numb, stop work and speak to a physician immediately.

### Safety definitions

The definitions below give the level of severity for each signal word.



**Danger** Indicates a hazardous situation that, if not avoided, will result in death or serious injury.



**WARNING:** Indicates a hazardous situation that, if not avoided, could result in death or serious injury.



**CAUTION:** Indicates a hazardous situation that, if not avoided, could result in minor or moderate injury, equipment damage, or property damage.

**Note:** This information makes the product easier to use.

### General safety instructions



**WARNING:** Read the warning instructions that follow before you use the product.

- Use the product correctly. Injury or death is a possible result of incorrect use. Only use the product for the tasks found in this manual. Do not use the product for other tasks.

- Obey the instructions in this manual. Obey the safety symbols and the safety instructions. If the operator does not obey the instructions and the symbols, injury, damage or death is a possible result.
- Do not discard this manual. Use the instructions to assemble, to operate and to keep your product in good condition. Use the instructions for correct installation of attachments and accessories. Only use approved attachments and accessories.
- Do not use a damaged product. Obey the maintenance schedule. Only do the maintenance work that you find an instruction about in this manual. An approved service center must do all other maintenance work.
- This manual cannot include all situations that can occur when you use the product. Be careful and use your common sense. Do not operate the product or do maintenance on the product if you are not sure about of the situation. Speak to a product expert, your dealer, service agent or approved service center for information.
- Disconnect the spark plug cable before you assemble the product, put the product into storage or do maintenance.
- Do not use the product if it is changed from its initial specification. Do not change a part of the product without approval from the manufacturer. Only use parts approved by the manufacturer. Injury or death is a possible result of incorrect maintenance.
- Do not breathe in the fumes from the engine. Long-term inhalation of the engine's exhaust fumes is a health risk.
- Do not start the product indoors or near flammable material. The exhaust fumes are hot and can contain a spark which can start a fire. Not sufficient airflow can cause injury or death because of asphyxiation or carbon monoxide.
- When you use this product the engine makes an electromagnetic field. The electromagnetic field can cause damage to medical implants. Speak to your

physician and medical implant manufacturer before you operate the product.

- Do not let a child operate the product. Do not let a person without knowledge of the instructions operate the product.
- Make sure that you always monitor a person, with decreased physical capacity or mental capacity, that uses the product. A responsible adult must be there at all times.
- Lock the product in an area that children and unapproved persons cannot access.
- The product can eject objects and cause injuries. Obey the safety instructions to decrease the risk of injury or death.
- Do not go away from the product when the engine is on.
- The operator of the product is responsible if an accident occurs.
- Make sure that parts are not damaged before you use the product.
- Make sure that you are at minimum 15 m (50 ft) away from other persons or animals before you use the product. Make sure that persons in the adjacent area know that you will use the product.
- Refer to national or local laws. They can prevent or decrease the operation of the product in some conditions.
- Do not use the product if you are fatigued or influenced by alcohol, drugs or medicine. They can have effects on your vision, alertness, coordination or judgment.

## Safety instructions for assembly



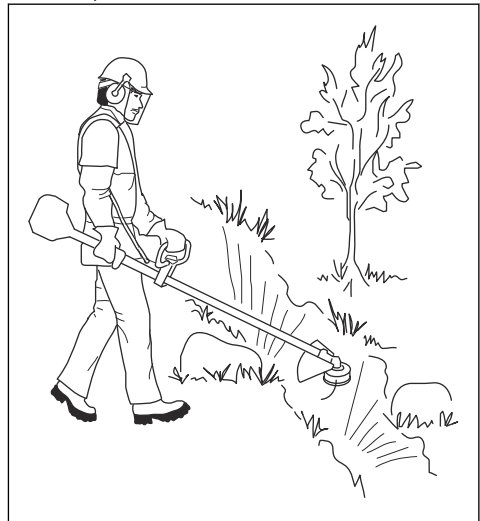
**WARNING:** Read the warning instructions that follow before you use the product.

- Remove the spark plug cap from the spark plug before you assemble the product.
- Use approved protective gloves.
- Make sure that you assemble the cover and shaft correctly before you start the engine.

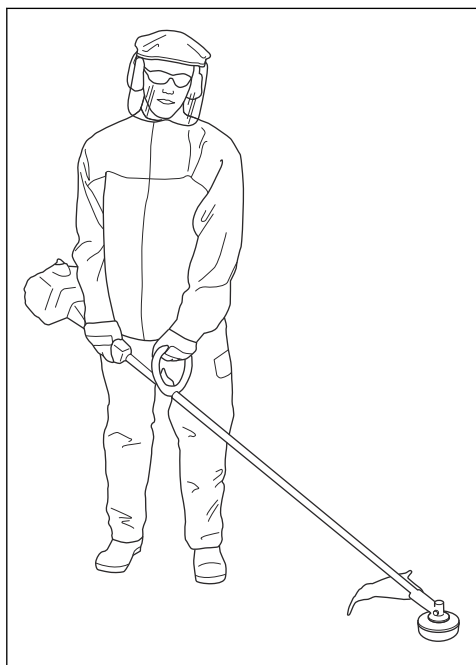
## Safety instructions for operation

- Make sure the product is fully assembled before you use it.
- Before a start, move the product 3 m (10 ft) away from the position where you filled the fuel tank. Put the product on a flat surface. Make sure that the cutting attachment does not touch the ground or other objects.
- The product can cause objects to eject, which can cause damage to the eyes. Always use an approved eye protection when you operate the product.
- Be careful, a child can come near the product without your knowledge during operation.

- Do not operate the product if there are persons in the work area. Stop the product if a person goes into the work area.
- Make sure that you are always in control of the product.
- Do not use the product if you cannot receive aid if an accident occurs. Always make sure others know you will operate the product before you start to operate the product.
- Do not turn with the product before you make sure that no persons or animals are in the safety area.
- Remove all unwanted materials from the work area before you start. If the cutting attachment hits an object, the object can eject and cause injury or damage. Unwanted material can wind around the cutting attachment and cause damage.
- Do not use the product in bad weather (fog, rain, strong winds, risk of lightning or other weather conditions.). Dangerous conditions (such as slippery surfaces) can occur because of bad weather.
- Make sure that you can move freely and work in a stable position.



- Make sure that you cannot fall when you use the product. Do not tilt when you operate the product.
- Always hold the product with your two hands. Hold the product on the right side of your body.



- Operate the product with the cutting attachment below your waist.
- If the choke control is in the choke position when the engine starts, the cutting attachment starts to turn.
- Do not touch the bevel gear after the engine stops. The bevel gear is hot after the engine stops. Hot areas can cause injury.
- Stop the engine before you move the product.
- Do not put down the product with the engine on.
- Before you remove the unwanted materials from the product, stop the engine and wait until the cutting attachment stops. Let the cutting attachment stop before you or an aid remove the cut material.

## Personal protective equipment



**WARNING:** Read the warning instructions that follow before you use the product.

- Always use correct personal protective equipment when you operate the product. The personal protective equipment does not erase the risk of injury. The personal protective equipment decreases the grade of injury if an accident occurs.
- Always use an approved eye protection while you operate the product.
- Do not operate the product with bare feet or with open shoes. Always use heavy-duty slip-resistant boots.
- Use heavy, long pants.

- If it is necessary, use approved protective gloves.
- Use a helmet if it is possible that objects fall on your head.
- Always use approved ear protection while you operate the product. Noise for a long period can cause noise-induced hearing loss.
- Make sure that you have a first aid kit near.

## Safety devices on the product

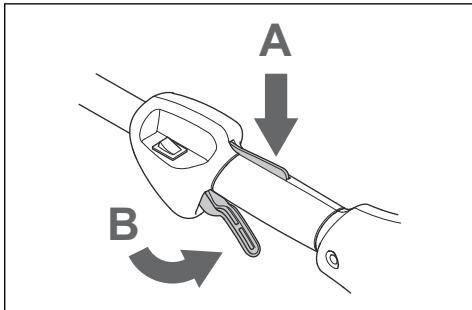


**WARNING:** Read the warning instructions that follow before you use the product.

- Do not use a product with defective safety devices.
- Do a check of the safety devices regularly. Refer to *Product overview on page 2*.
- If the safety devices are defective, speak to your Husqvarna servicing dealer.

## Throttle trigger lockout

The throttle trigger lockout locks the throttle trigger.



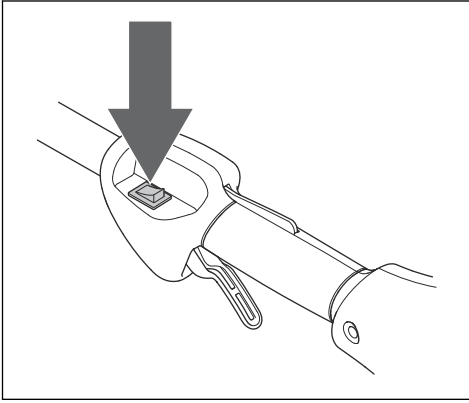
Push the throttle trigger lockout (A) to release the throttle trigger (B). When you release the handle, the throttle trigger lockout and the throttle trigger go back to their initial positions.

1. Make sure that the throttle trigger (B) is locked at idle when you release the throttle trigger lockout (A).
2. Push the throttle trigger lockout (A) and make sure that it goes back to its initial position when you release it.
3. Push the throttle trigger (B) and make sure that it goes back to its initial position when you release it.

Start the engine, and then apply full throttle. Release the throttle trigger and examine if the cutting attachment stops. If the cutting attachment turns with the throttle in the idle position, examine the idle adjustment screw of the carburetor.

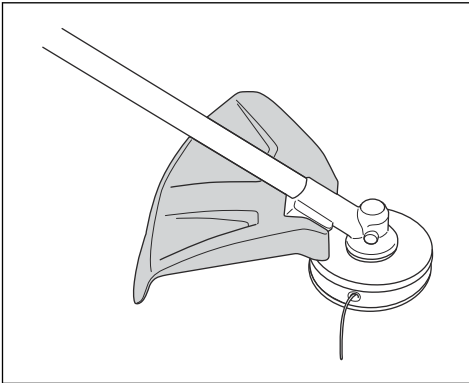
## Stop switch

Start the engine. Make sure that the engine stops when you move the stop switch to the stop position.



## Cutting attachment guard

The cutting attachment guard prevents a loose object to eject in the direction of the operator.



Examine the cutting attachment guard for damage and replace if it is damaged. Only use the approved guard for the cutting attachment.

## Muffler

- Do not use an engine with a damaged muffler. A damaged muffler increases the noise level and the risk of fire. Keep a fire extinguisher near.
- Examine regularly that the muffler is attached to the product.
- Do not touch the engine or the muffler when the engine is on. Do not touch the engine or the muffler for a while after the engine stops. Hot surfaces can cause injuries.
- A hot muffler can cause a fire. Be careful, if you use the product near flammable liquids or fumes.

- Do not touch the parts in the muffler, if the muffler is damaged. The parts can contain some carcinogenic chemicals.

## Cutting attachment



**WARNING:** Read the warning instructions that follow before you use the product.

- Do the regular maintenance. Let an approved service center regularly examine the cutting attachment to do adjustments or repairs.
  - The performance of the cutting attachment increases.
  - The life of the cutting attachment increases.
  - The risk of accidents decreases.
- Only use an approved cutting attachment guard. For more information, see *Accessories on page 19*.
- Do not use a damaged cutting attachment.

## Fuel safety



**WARNING:** Read the warning instructions that follow before you use the product.

- Do not mix the fuel indoor or near a heat source.
- Do not start the product if there is fuel or engine oil on the product. Remove the unwanted fuel/oil and let the product dry. Remove unwanted fuel from the product.
- If you spill fuel on your clothing, change clothing immediately.
- Do not get fuel on your body, it can cause injury. If you get fuel on your body, use a soap and water to remove the fuel.
- Do not start the engine if you spill oil or fuel on the product or on your body.
- Do not start the product if the engine has a leak. Examine the engine for leaks regularly.
- Be careful with fuel. Fuel is flammable and the fumes are explosive and can cause injuries or death.
- Do not breathe in the fuel fumes, it can cause injury. Make sure that there is a sufficient airflow.
- Do not smoke near the fuel or the engine.
- Do not put warm objects near the fuel or the engine.
- Do not add the fuel when the engine is on.
- Make sure that the engine is cool before you refuel.
- Before you refuel, open the fuel tank cap slowly and release the pressure carefully.
- Do not add fuel to the engine in an indoor area. Not sufficient airflow can cause injury or death because of asphyxiation or carbon monoxide.
- Tighten the fuel tank cap carefully or a fire can occur.
- Move the product at a minimum of 3 m (10 ft) from the position where you filled the tank before a start.

- Do not put too much fuel in the fuel tank.
- Make sure that a leak cannot occur when you move the product or fuel container.
- Do not put the product or a fuel container where there is an open flame, spark or pilot light. Make sure that the storage area does not contain an open flame.
- Only use approved containers when you move the fuel or put the fuel into storage.
- Empty the fuel tank before long-term storage. Obey the local law on where to dispose fuel.
- Clean the product before long-term storage.
- Remove the spark plug cable before you put the product into storage to make sure that the engine does not start accidentally.

- Do only the maintenance and servicing given in this operator's manual. Let professional servicing personnel do all other servicing and repairs.
- Regularly do the safety checks, maintenance and service instructions given in this manual. Regular maintenance increases the life of the product and decreases the risk of accidents. Refer to *Maintenance schedule on page 15* for instructions.
- If the safety checks in this operator's manual is not approved after you do maintenance, speak to your servicing dealer. We guarantee that there are professional repairs and servicing available for your product.

## Safety instructions for maintenance



**WARNING:** Read the warning instructions that follow before you do maintenance on the product.

## Assembly

### Introduction



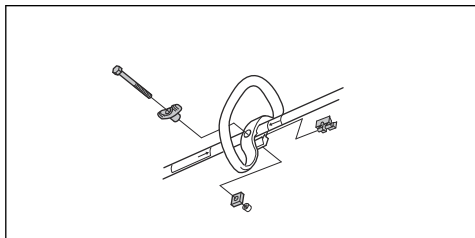
**WARNING:** Before you assemble the product, you must read and understand the safety chapter.



**WARNING:** Remove the spark plug cable from the spark plug before you assemble the product.

### To assemble the loop handle

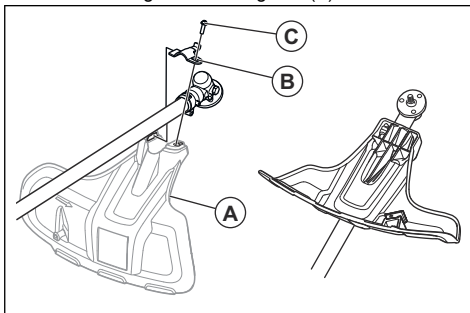
1. Put the loop handle between the arrows on the shaft.
2. Tighten the bolt to attach the loop handle to the shaft.



### To assemble the cutting attachment

#### To assemble the cutting attachment guard

1. Put the cutting attachment guard (A) onto the shaft.

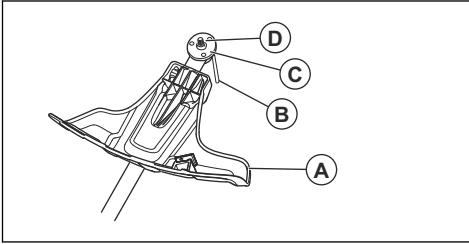


2. Put the bracket (B) in the slot on the cutting attachment guard.
3. Attach the bolt (C) through the hole on the bracket to the cutting attachment guard.



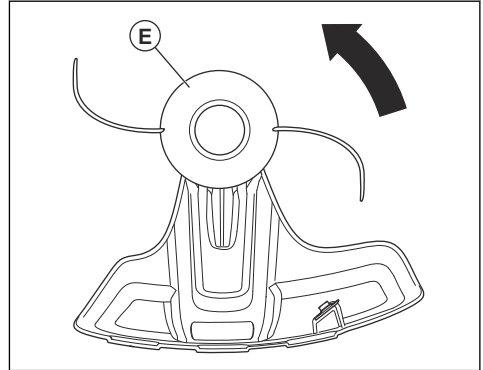
## To attach the trimmer head

1. Make sure that the cutting attachment guard (A) is attached to the product. Refer to *To assemble the cutting attachment guard on page 8*.



2. Make sure that the drive disc (C) is attached to the output shaft (D).
3. Put the star key (B) in the hole to lock the shaft.
4. Put the trimmer head (E) on the output shaft.

5. Turn the trimmer head counterclockwise to tighten it to the output shaft.



6. Remove the star key.

## Operation

### Introduction



**WARNING:** Before you operate the product, you must read and understand the safety chapter.

### Fuel

This product has a two-stroke engine.



**CAUTION:** Incorrect type of fuel can result in engine damage. Use a mixture of gasoline and two-stroke oil.

### Premixed fuel

- Use Husqvarna premixed alkylate fuel of a good quality, for best performance and extension of the engine life. This fuel contains less harmful chemicals compared to regular fuel, which decreases harmful exhaust fumes. The quantity of remains after combustion is lower with this fuel, which keeps the components of the engine more clean.

### To mix fuel

#### Gasoline



**CAUTION:** Do not use gasoline with an octane number less than 90 RON (87 AKI). This can cause damage to the product.



**CAUTION:** Do not use gasoline with more than 10% ethanol concentration (E10). This can cause damage to the product.

- Always use new unleaded gasoline with a minimum octane number of 90 RON (87 AKI) and with less than 10% ethanol concentration (E10).
- Use gasoline with a higher octane number if you frequently use the product at continuously high engine speed.

#### Two-cycle engine oil

- Use only high quality two-cycle engine oil. Use only an air cooled engine oil.
- Do not use other types of oil.
- Mixture ratio 50:1 (2%)

Gasoline	Oil
1 U.S. Gal.	77 ml (2,6 oz)
1 UK Gal.	95 ml (3,2 oz)
5 l	100 ml (3,4 oz)

#### To make the fuel mixture

**Note:** Always use a clean fuel container when you mix the fuel.

**Note:** Do not make more than 30 days quantity of fuel mixture.

1. Add half of the gasoline quantity.
2. Add the full quantity of oil.
3. Shake the fuel mixture to mix the contents.
4. Add the remaining gasoline quantity.
5. Shake the fuel mixture to mix the contents.

6. Fill the fuel tank.

### To add fuel

- Always use a fuel container with an antispill valve.
- If there is some fuel on the container, remove the unwanted fuel and let the container dry.
- Make sure that the area near the fuel tank cap is clean.
- Shake the fuel container before you add the fuel mixture to the fuel tank.

### To do a run-in

- During the first 10 hours of operation, do not apply full throttle without load for extended periods.

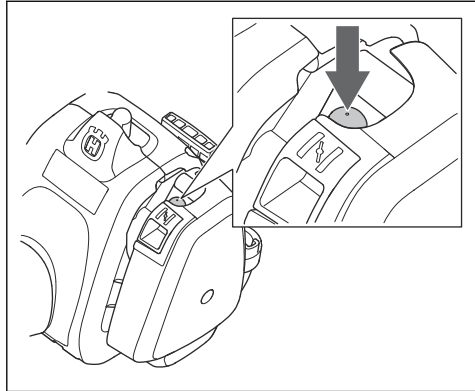
## To start and stop

### To examine before start

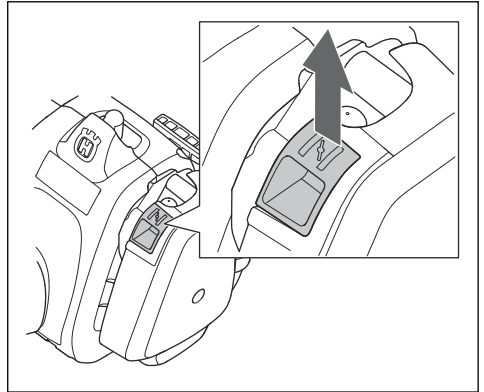
1. Make sure that the product has no missing, damaged, loose or worn parts.
2. Make sure that nuts, screws and bolts are tightened.
3. Make sure that the trimmer head is not damaged.
4. Make sure that the air filter is not clogged.
5. Make sure that the safety devices on the product is not defective.
6. Make sure that the product has no fuel leaks.

### To start a cold engine

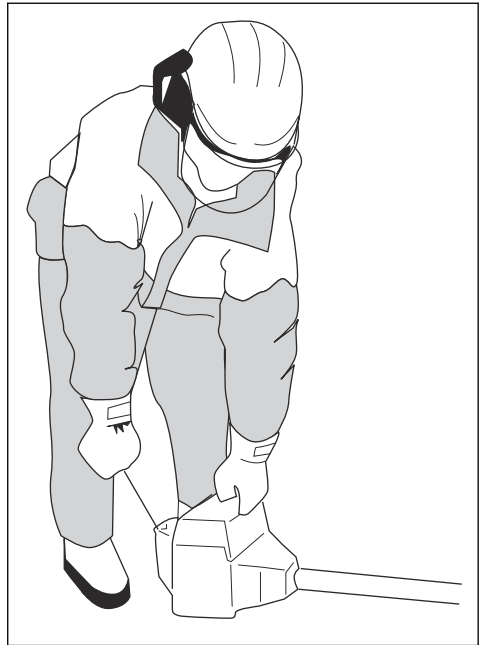
1. Push the air purge bulb 10 times.



2. Pull the choke control up.



3. Hold the body of the product on the ground with your left hand.



Do not step on the product. Pull the starter rope handle slowly until you feel some resistance. Then pull the starter rope handle with force.

**Note:** Do not pull the throttle trigger while you start the engine.

4. Continue to pull the starter rope handle until the engine starts or tries to start (max. 3 pulls). If the engine starts or tries to start, push the choke control down. Continue to pull until the engine starts. Wait 60 seconds after a start before you pull the throttle trigger.



**CAUTION:** Do not pull the starter rope until it stops. Do not let go of the starter rope when it is fully extended. Release the starter rope slowly. Failure to obey these instructions can cause damage to the engine.

### To start a warm engine

1. Push the air purge bulb 10 times.
2. Pull the starter rope until the engine starts.

### To start the engine when the fuel is too hot

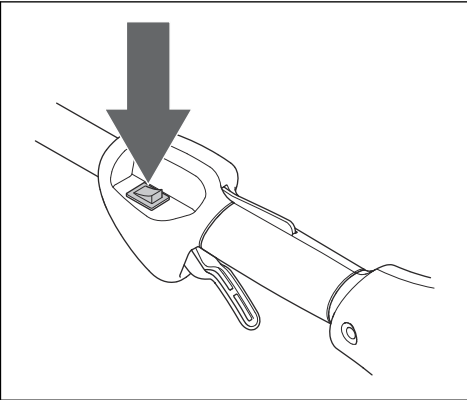
If the product does not start, the fuel can be too hot.

**Note:** Always use new fuel and decrease the operation time during warm weather.

1. Put the product in a cool area away from open sunlight.
2. Let the product cool down for 20 minutes at minimum.
3. Press the air purge bulb again and again for 10-15 seconds.
4. Obey the procedure to start a cold engine. Refer to *To start a cold engine on page 10*.

### To stop

- Push the stop switch to stop the engine.



**Note:** The stop switch automatically goes back to its initial position.

### To operate the grass trimmer

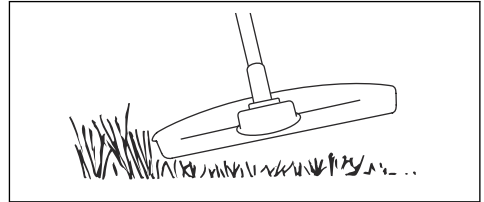


**CAUTION:** Make sure that you slow the engine to idle speed after each operation. A long period at full throttle without a load on the engine can cause damage to the engine.

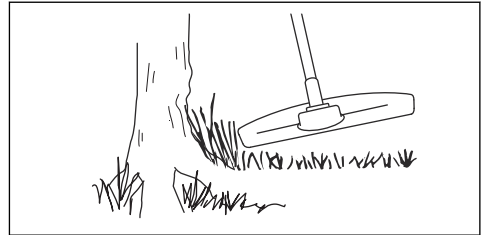
**Note:** Clean the cover of the trimmer head when you attach a new trimmer line to prevent vibrations. Examine other parts of the trimmer head and clean if it is necessary.

### To trim the grass

1. Hold the trimmer head immediately above the ground at an angle. Do not push the trimmer line into the grass.

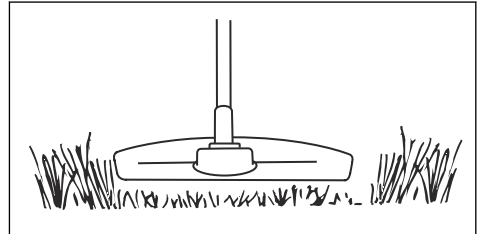


2. Decrease the length of the trimmer line by 10-12 cm / 4-4.75 in.
3. Decrease the engine speed to decrease the risk of damage to plants.
4. Use 80 % throttle when you cut grass near objects.



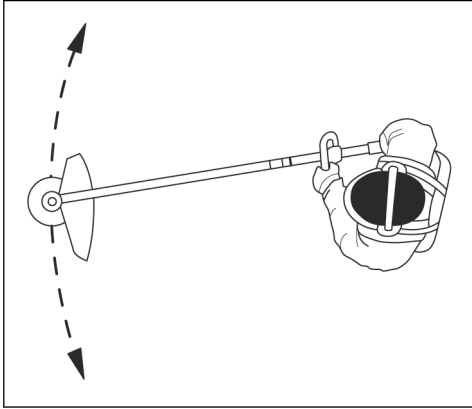
### To cut the grass

1. Make sure that the grass trimmer line is parallel to the ground when you cut.



2. Do not push the trimmer head to the ground. The ground and the product can be damaged.
3. Do not let the trimmer head touch the ground continuously, it can cause damage to the trimmer head.

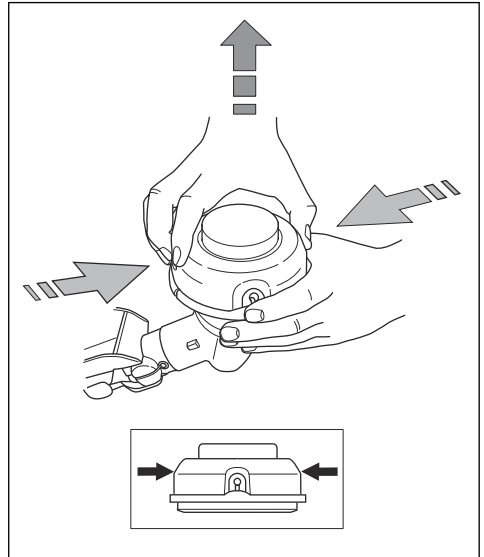
4. Use full throttle when you move the product from side to side to cut grass. Make sure that the grass trimmer line is parallel to the ground.

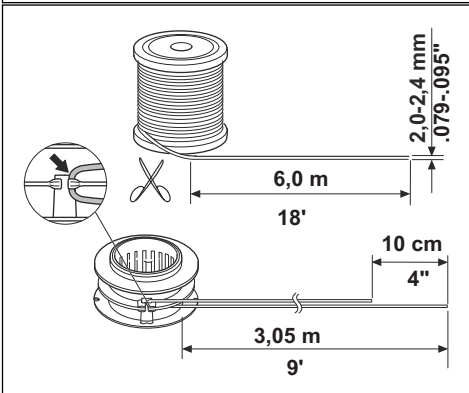
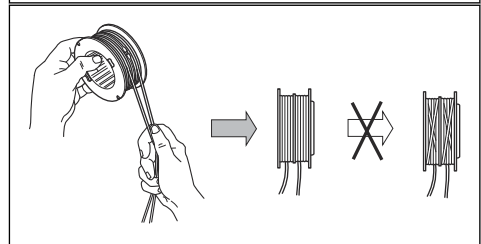
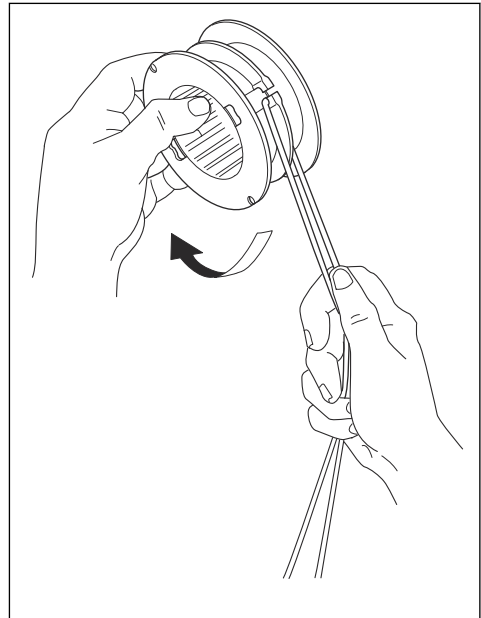
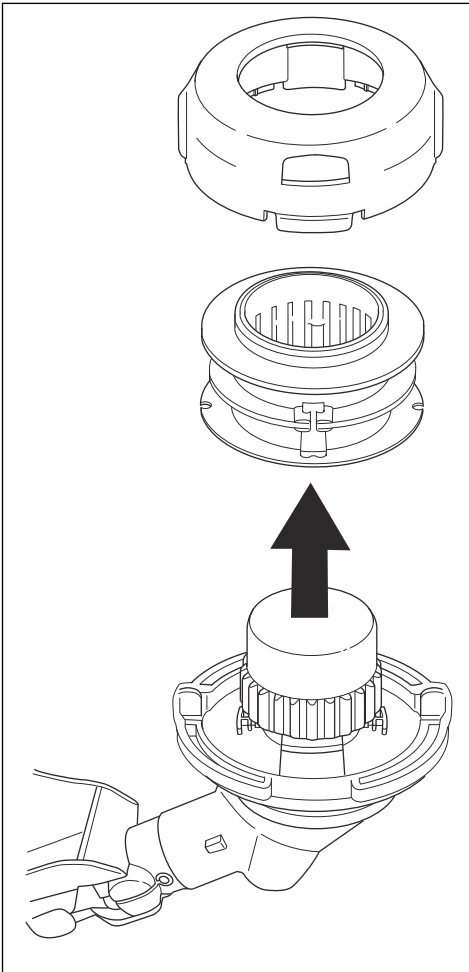


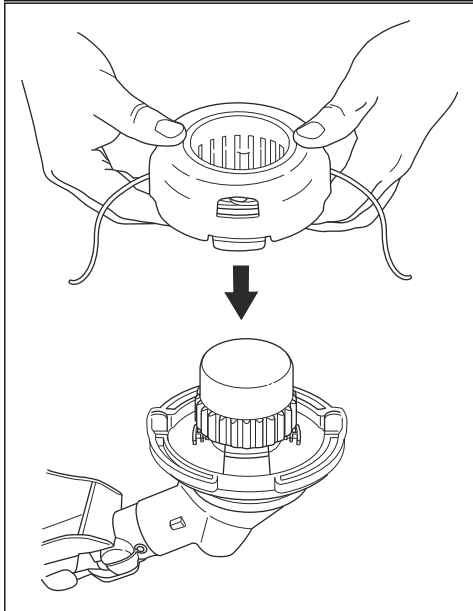
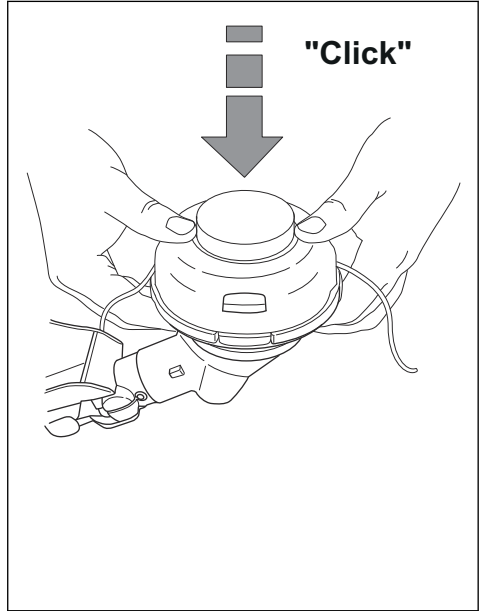
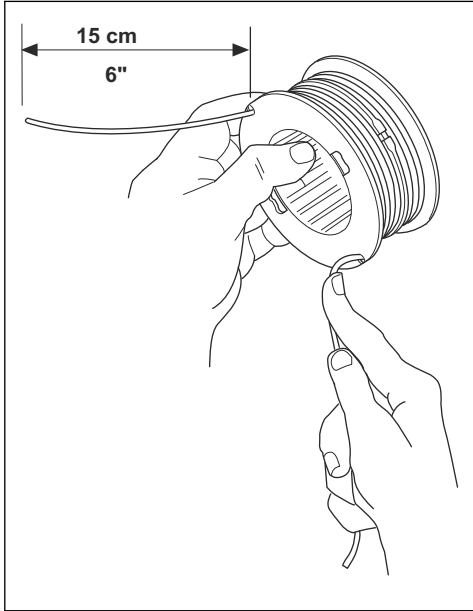
### Grass trimmer head

- Make sure that you wind the grass trimmer line tightly and equally around the drum to decrease the vibration.
- Use only the approved grass trimmer heads and grass trimmer lines. See *Accessories on page 19*.
- Use a correct length of the grass trimmer line. A long grass trimmer line uses more engine power than a short grass trimmer line.
- Make sure that the cutter on the cutting attachment guard is not damaged.
- Soak the grass trimmer line in water for 2 days before you attach the grass trimmer line to the product. This increases the life of the grass trimmer line.

### To replace the trimmer line







# Maintenance

## Introduction



**WARNING:** Before you do maintenance, you must read and understand the safety chapter.

For all servicing and repair work on the product, special training is necessary. We guarantee the availability of professional repairs and servicing. If your dealer is not a service agent, speak to them for information about the nearest service agent.

## Maintenance schedule

### Weekly maintenance

- Clean the external surfaces.
- Make sure that the cutting attachment does not move when on idle speed. Refer to *To adjust the idle speed on page 15*.
- Examine the level of grease in the bevel gear. Refer to *To add grease to the bevel gear on page 17*.

### Monthly maintenance

- Make sure that the starter rope handle and the starter rope is not damaged.

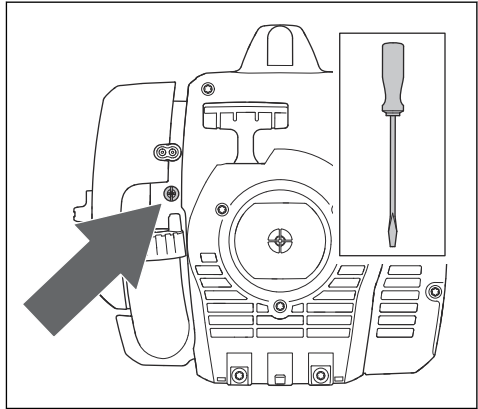
### Yearly maintenance

- Examine the spark plug. Refer to *To examine the spark plug on page 16*
- Clean the external surfaces of the carburetor and its adjacent areas.
- Clean the cooling system.
- Examine the spark arrester screen. Refer to *To do maintenance on the spark arrester screen on page 15*.
- Examine the fuel filter.
- Make sure that the fuel hose is not damaged.
- Make sure that cables and connections on the product is not damaged.

## To adjust the idle speed

- Make sure that the air filter is clean and the air filter cover is attached before you adjust the idle speed.
- Adjust the idle speed with the idle adjustment screw T which is identified with "T" mark.
- The idle speed is correct when the engine operates smoothly in all positions. The idle speed must be below the speed when the cutting attachment starts to turn.

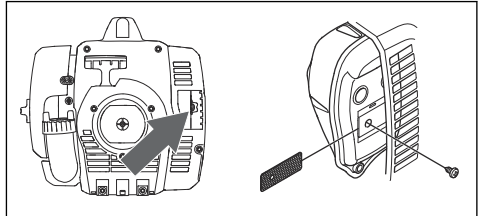
1. Turn the idle adjustment screw clockwise until the cutting attachment starts to turn.



2. Turn the idle adjustment screw counterclockwise until the cutting attachment stops.

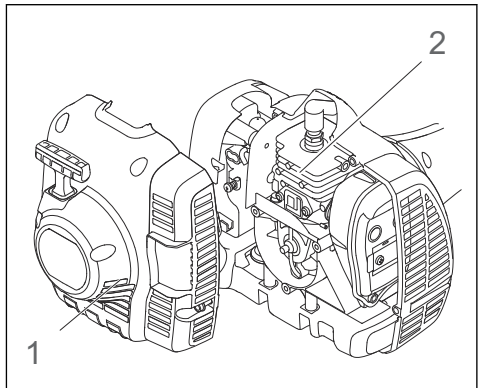
## To do maintenance on the spark arrester screen

Use a wire brush to clean the spark arrester screen.



## To clean the cooling system

Clean the parts of the cooling system with a brush.

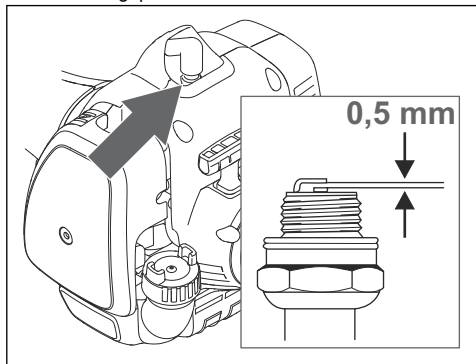


## To examine the spark plug



**CAUTION:** Use the recommended spark plug. Make sure that the replacement is the same as the manufacturer supplied part. An incorrect spark plug can cause damage to the product.

1. Examine the spark plug when:
  - a) the engine is low on power.
  - b) the engine is not easy to start.
  - c) the engine does not operate correctly at idle speed.
2. If, the engine is not easy to start or operate, examine the spark plug for unwanted materials. To decrease the risk of unwanted material on the spark plug electrodes:
  - a) make sure that the idle speed is correctly adjusted.
  - b) make sure that the fuel mixture is correct.
  - c) make sure that the air filter is clean.
3. Clean the spark plug if it is dirty. Examine that the electrode gap is correct.

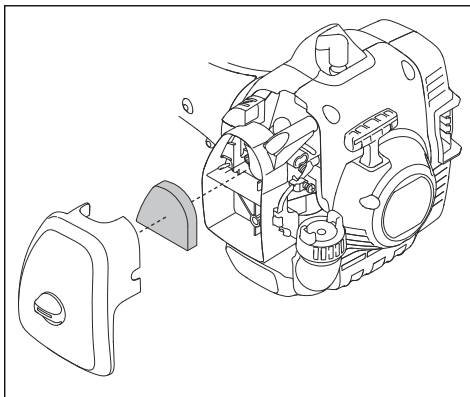


4. Replace the spark plug when it is necessary.

## To do the maintenance to the air filter

### To clean the air filter

1. Remove the air filter cover and remove the air filter.



2. Clean the air filter with warm soap water. Make sure that the air filter is dry before you install it.
3. Replace the air filter if it is too dirty to fully clean it. Always replace a damaged air filter.
4. If your product has a foam air filter, apply air filter oil. Only apply air filter oil to a foam filter. Do not apply oil to a felt filter.

### To apply air filter oil to the air filter

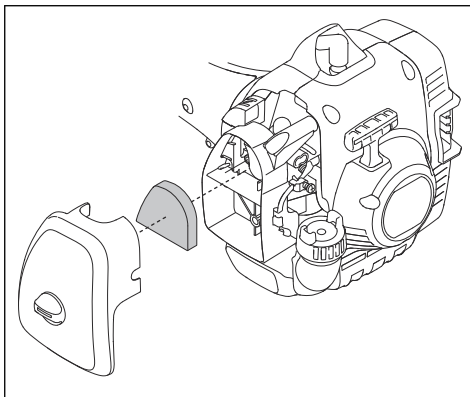


**CAUTION:** Always use special air filter oil on foam air filters. Do not use other types of oil.



**WARNING:** Do not get oil on your body.

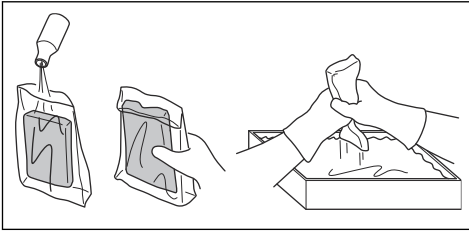
1. Remove the air filter cover and remove the air filter.



2. Put the air filter in a plastic bag.



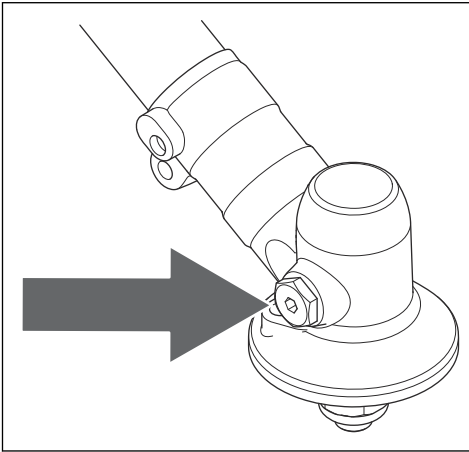
- Put the air filter oil in the plastic bag.



- Push the plastic bag to make sure the oil supplies equally across the air filter.
- Push on the air filter, while in the bag, to remove the air filter oil that is not necessary. Remove the air filter from the bag.
- Install the air filter.

### To add grease to the bevel gear

Make sure that the bevel gear is filled 3/4 full with bevel gear grease.




---

## Troubleshooting

---

### The engine does not start

Check	Possible cause	Procedure
Stop switch.	The stop switch is in the stop position.	Set the stop switch to the start position.
Starter pawls.	The starter pawls cannot move freely.	Remove the starter cover and clean around the starter pawls.
		Let an approved service agent help you.
Fuel tank.	Incorrect fuel type.	Drain the fuel tank and fill with correct fuel.

Check	Possible cause	Procedure
Spark plug.	The spark plug is dirty or wet.	Make sure that the spark plug is dry and clean.
	The spark plug electrode gap is incorrect.	Clean the spark plug. Make sure that the electrode gap is correct. Make sure that the spark plug has a suppressor.
		Refer to technical data for correct electrode gap.
The spark plug is loose.	Tighten the spark plug.	

## The engine starts but stops again

Check	Possible cause	Procedure
Fuel tank	Incorrect fuel type.	Empty the fuel tank and fill it with correct fuel.
Air filter	The air filter is clogged.	Clean the air filter.

---

## Transportation, storage and disposal

---

### Transportation and storage

- Let the product cool before transportation or storage.
- Remove the spark plug cap before long-term storage.
- Attach the product during transportation. Make sure that it cannot move.
- Make sure that there is no risk of fuel leaks, fuel fumes, sparks or flames during transportation and storage.
- Clean and do servicing on the product before long-term storage.

---

## Technical data

---

### Technical data

	<b>325L</b> <b>A05328CSHV</b>
<b>Engine</b>	
Cylinder displacement, cu.in/cm <sup>3</sup>	1.68/27.6
Idle speed, rpm	2800 - 3200
Recommended max. speed, rpm	8000
Power / Max. engine output, acc. to ISO 8893, kW/hp @ rpm	0.9/1.2 @ 8000
Catalytic converter muffler	Yes
Speed of output shaft, rpm	7200

	<b>325L</b> <b>A05328CSHV</b>
<b>Ignition system</b>	
Spark plug	Husqvarna HQT-4
Electrode gap, inch/mm	0.02/0.5
<b>Fuel system</b>	
Fuel tank capacity, US Pint/l	0.725/0.343
<b>Product dimensions</b>	
Weight (excluding cutting equipment), lb/kg	11.0/5.0

---

## Accessories

---

### Accessories

Approved accessories	Type	Cutting attachment guard
Threaded shaft	M10L	
Trimmer head	T35, Ø 2.4 mm	588 54 37-01

## Contenido

Introducción.....	20	Solución de problemas.....	36
Seguridad.....	22	Transporte, almacenamiento y eliminación de residuos.....	37
Montaje.....	26	Datos técnicos.....	37
Funcionamiento.....	28	Accesorios.....	38
Mantenimiento.....	34		

## Introducción

### Manual del usuario

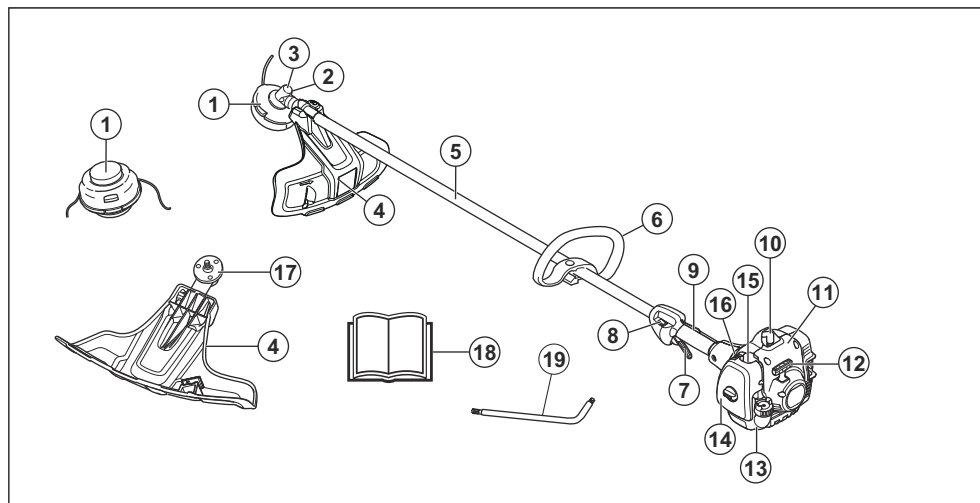
El idioma original de este manual de usuario es el inglés. Los manuales de usuario en otros idiomas son traducciones del inglés.

### Uso específico

El producto se utiliza con un cabezal de corte para cortar césped. No utilice el producto para otras tareas que no sean cortar y desbrozar césped.

**Tenga en cuenta:** Las normativas nacionales pueden establecer un límite para el funcionamiento del producto.

### Descripción general de la máquina



1. Cabezal de corte
2. Tapón de llenado de grasa
3. Engranaje angulado
4. Protección del equipo de corte
5. Eje
6. Mango cerrado
7. Gatillo del acelerador
8. Interruptor de detención
9. Bloqueo del acelerador
10. Sombrero de bujía y bujía
11. Cuerpo del mecanismo de arranque
12. Empuñadura de la cuerda de arranque
13. Depósito de combustible
14. Cubierta del filtro de aire
15. Bulbo de la purga de aire
16. Estrangulador
17. Disco de arrastre
18. Manual del usuario

## Símbolos en la máquina



**ADVERTENCIA:** Este producto es peligroso. El operador o las personas que se encuentran cerca pueden sufrir lesiones o la muerte si el producto no se utiliza con cuidado y correctamente. Para evitar daños graves al operador o a las personas que se encuentran cerca, lea y obedezca todas las instrucciones de seguridad en el manual de usuario.



Lea atentamente el manual del usuario y asegúrese de que entiende las instrucciones antes de usar el producto.



Use protección auricular aprobada. Use protección ocular aprobada.



Si tiene el cabello largo, asegúrese de amarrarlo sobre sus hombros.



El producto puede provocar que los objetos salgan expulsados, lo que puede causar lesiones.



Régimen máximo del eje de salida.



Manténgase a un mínimo de 15 m/50 pies de distancia de las personas y los animales mientras el producto esté funcionando.



Utilice solo hilos flexibles para la recortadora



No utilice elementos de corte metálicos



Las flechas muestran los límites de la posición de la palanca.



Bulbo de la purga de aire.



Estrangulador.



Recarga de combustible.

La placa de características muestra el número de serie. **yyyyy** es el año de fabricación, **www** es la semana de producción y **xxxx** es el número secuencial.

yyyyywwxxxx

**Tenga en cuenta:** Otros símbolos o etiquetas del producto hacen referencia a requisitos de certificación para otras zonas comerciales.

## Responsabilidad del fabricante

Como se menciona en las leyes de responsabilidad del fabricante, no nos hacemos responsables de los daños que cause nuestro producto si:

- el producto se repara incorrectamente
- el producto se repara con piezas que no son del fabricante o que este no autoriza
- el producto tiene un accesorio que no es del fabricante o que este no autoriza
- el producto no se repara en un centro de servicio autorizado o por una autoridad aprobada.

## EPA III



El período de cumplimiento de emisiones al que se hace referencia en la etiqueta de cumplimiento de emisiones indica la cantidad de horas de funcionamiento para la que se ha demostrado que el motor cumple el requisito de emisiones federales. El mantenimiento, reemplazo o reparación de los dispositivos y sistemas de control de emisiones puede realizarlo cualquier establecimiento o persona de que repare motores para uso fuera de carretera.

## Propuesta 65



### ¡ADVERTENCIA!

Los gases de escape del motor de este producto contienen sustancias químicas conocidas en el Estado de California como causantes de cáncer, defectos congénitos y otros daños reproductivos.

## Seguridad

### Seguridad de vibración

Este producto solo sirve para su uso ocasional. El funcionamiento continuo o regular del producto puede provocar la enfermedad de Dupuytren o problemas médicos equivalentes producto de las vibraciones. Examine la condición de sus manos y dedos si opera el producto regular o continuamente. Si sus manos o dedos tienen una decoloración, dolor, cosquilleo o se sienten entumecidos, detenga el trabajo y póngase en contacto con un médico de inmediato.

### Definiciones de seguridad

Las siguientes definiciones proporcionan el nivel de gravedad de cada palabra clave.



**Danger** Indica una situación peligrosa que, si no se evita, provocará la muerte o lesiones graves.



**ADVERTENCIA:** Indica una situación peligrosa que, si no se evita, podría provocar la muerte o lesiones graves.



**AVISO:** Indica una situación peligrosa que, si no se evita, podría provocar lesiones leves o moderadas, daños al equipo o a la propiedad.

**Tenga en cuenta:** Esta información hace que el producto sea más fácil de usar.

### Instrucciones generales de seguridad



**ADVERTENCIA:** Lea atentamente las instrucciones de advertencia siguientes antes de usar el producto.

- Utilice el producto correctamente. Las lesiones graves o fatales son un posible resultado de un uso incorrecto. Solo utilice el producto para las tareas que aparecen en este manual. No utilice el producto para otras tareas.
- Obedezca las instrucciones contenidas en este manual. Obedezca los símbolos y las instrucciones de seguridad. Si el usuario no obedece las instrucciones y los símbolos, es posible que se produzcan daños y lesiones tanto graves como fatales.
- No deseche este manual. Utilice las instrucciones para montar, operar y mantener el producto en buen estado. Utilice las instrucciones para la correcta instalación de piezas y accesorios. Utilice solamente piezas y accesorios homologados.
- No use un producto dañado. Cumpla con el programa de mantenimiento. Realice solamente las tareas de mantenimiento en las que se detallan instrucciones en este manual. Un centro de servicio autorizado debe realizar todos los demás trabajos de mantenimiento.
- En este manual no se pueden abarcar todas las situaciones que pueden ocurrir cuando se utiliza el producto. Tenga cuidado y use el sentido común. No haga funcionar el producto ni le realice mantenimiento si no está seguro de la situación. Hable con un experto en el producto, su distribuidor, el agente de servicio o un centro de servicio autorizado para obtener más información.
- Desconecte el cable de la bujía antes de montar o almacenar el producto, o realizar tareas de mantenimiento.
- No utilice el producto si cambia su especificación inicial. No cambie una parte del producto sin la aprobación del fabricante. Utilice solo piezas aprobadas por el fabricante. Las lesiones graves o fatales son un posible resultado de un mantenimiento incorrecto.

- No respire los humos del motor. La inhalación prolongada de los gases de escape es un riesgo para la salud.
- No encienda el producto en interiores o cerca de materiales inflamables. Los gases de escape están muy calientes y pueden crear incendios debido a la creación de chispas. Un flujo de aire insuficiente puede causar lesiones graves o fatales por asfixia o debido al monóxido de carbono.
- Cuando utilice este producto, el motor crea un campo electromagnético. El campo electromagnético puede causar daños a implantes médicos. Hable con su médico y fabricante del implante antes de utilizar el producto.
- No deje que un niño utilice el producto. No permita que una persona que no conozca las instrucciones utilice el producto.
- Asegúrese de supervisar siempre a una persona con capacidades físicas o mentales limitadas que utilice el producto. Debe haber un adulto responsable en todo momento.
- Mantenga el producto en un área a la cual los niños y las personas no autorizadas no puedan acceder.
- El producto puede expulsar objetos y causar lesiones. Siga las instrucciones de seguridad para reducir el riesgo de lesiones graves o fatales.
- No se aleje del producto cuando el motor esté en marcha.
- El operador del producto es responsable en caso de un accidente.
- Asegúrese de que las piezas no estén dañadas antes de utilizar el producto.
- Asegúrese de estar al menos a 15 m (50 pies) de distancia de otras personas o animales antes de utilizar el producto. Asegúrese de que las personas en el área adyacente sepan que utilizará el producto.
- Consulte las leyes locales o nacionales. Estas pueden evitar o disminuir el funcionamiento del producto en algunas condiciones.
- No utilice el producto si está cansado o bajo la influencia de alcohol, drogas o medicamentos. Pueden tener efectos sobre su visión, estado de alerta, coordinación o criterio.

## Instrucciones de seguridad para el funcionamiento

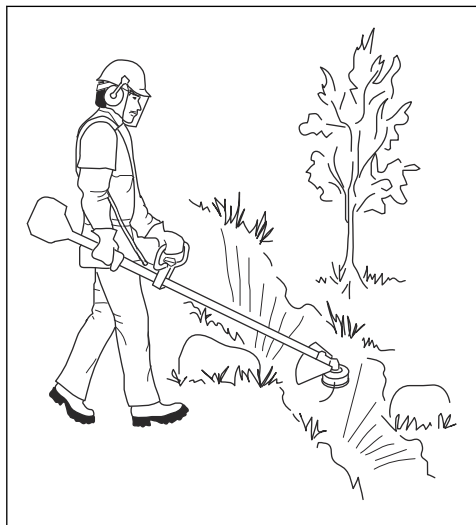
- Asegúrese de que el producto esté completamente montado antes de usarlo.
- Antes de comenzar, mueva el producto 3 m (10 pies) de distancia desde la posición donde llenó el depósito de combustible. Coloque el producto sobre una superficie plana. Asegúrese de que el equipo de corte no toque el suelo u otros objetos.
- El producto puede provocar que los objetos salgan expulsados, lo que puede causar daños a los ojos. Use siempre protección ocular autorizada cuando utilice el producto.
- Tenga cuidado, un niño puede acercarse al producto sin que lo note mientras se encuentra en funcionamiento.
- No utilice el producto si hay personas en el área de trabajo. Detenga el producto si una persona entra al área de trabajo.
- Asegúrese de estar siempre en control del producto.
- No utilice el producto si no puede recibir ayuda en caso de un accidente. Asegúrese siempre de que los demás sepan que va a utilizar el producto antes de comenzar a utilizarlo.
- No gire con el producto sin asegurarse de que no haya personas ni animales en la zona de seguridad.
- Retire todos los materiales no deseados del área de trabajo antes de empezar. Si el equipo de corte choca contra un objeto, el objeto se puede expulsar y causar lesiones o daños. El material no deseado puede enredarse en el equipo de corte y causar daños.
- No utilice el producto en malas condiciones climáticas (niebla, lluvia, vientos fuertes, riesgo de rayos u otros tipos de condiciones climáticas). Las condiciones peligrosas (como superficies resbaladizas) se pueden producir debido al mal clima.
- Asegúrese de poder moverse libremente y trabajar en una posición estable.

## Instrucciones de seguridad para el montaje

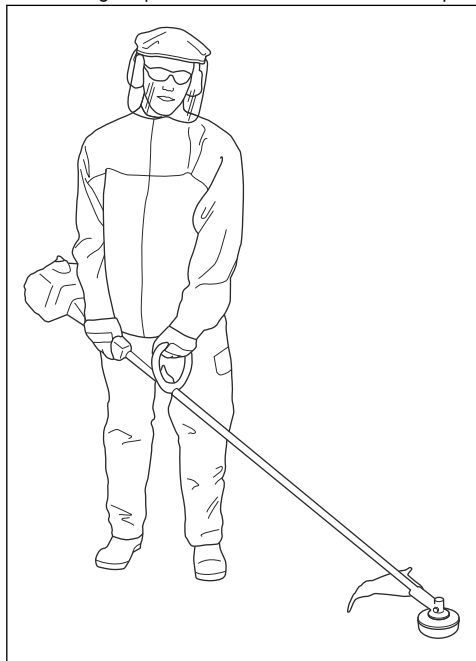


**ADVERTENCIA:** Lea atentamente las instrucciones de advertencia siguientes antes de usar el producto.

- Retire el sombrero de bujía de la bujía antes de montar el producto.
- Use guantes protectores homologados.
- Antes de arrancar el motor, asegúrese de montar la cubierta y el eje de forma adecuada.



- Asegúrese de no correr riesgos de caídas cuando utilice el producto. No se incline cuando utilice el producto.
- Siempre sostenga el producto con las dos manos. Mantenga el producto al lado derecho de su cuerpo.



- Utilice el producto con el equipo de corte por debajo de la cintura.

- Si el estrangulador está en la posición de estrangulamiento cuando el motor arranca, el equipo de corte comienza a girar.
- No toque el engranaje angulado después de que se detenga el motor. El engranaje angulado está caliente después de que el motor se detiene. Las áreas calientes pueden causar lesiones.
- Detenga el motor antes de mover el producto.
- No deje el producto en el suelo con el motor encendido.
- Antes de eliminar el material no deseado del producto, detenga el motor y espere hasta que el equipo de corte se detenga. Deje que el equipo de corte se detenga antes de que usted o un ayudante quiten el material de corte.

## Equipo de protección personal



**ADVERTENCIA:** Lea atentamente las instrucciones de advertencia siguientes antes de usar el producto.

- Utilice siempre el equipo de protección personal adecuado cuando utilice el producto. El equipo de protección personal no elimina el riesgo de lesiones. El equipo de protección personal disminuye el grado de la lesión en caso de un accidente.
- Use siempre protección ocular autorizada cuando utilice el producto.
- No utilice el producto con los pies descalzos o con zapatos abiertos. Use siempre botas antideslizantes de servicio pesado.
- Utilice pantalones largos y gruesos.
- Si es necesario, utilice guantes de protección aprobados.
- Use un casco si existe la posibilidad de que caigan objetos sobre su cabeza.
- Use siempre protectores auriculares autorizados cuando utilice el producto. Escuchar ruidos durante un largo período puede provocar pérdida de audición inducida por el ruido.
- Asegúrese de tener un botiquín de primeros auxilios.

## Dispositivos de seguridad en el producto



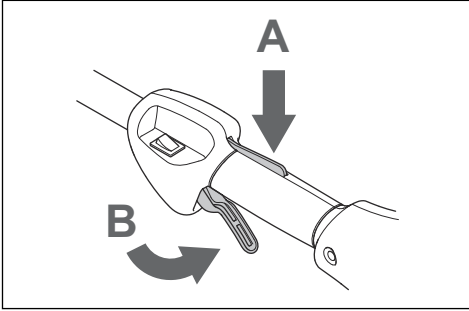
**ADVERTENCIA:** Lea atentamente las instrucciones de advertencia siguientes antes de usar el producto.

- No utilice un producto con dispositivos de seguridad defectuosos.
- Revise los dispositivos de seguridad de forma regular. Consulte *Descripción general de la máquina en la página 20*.
- Si los dispositivos de seguridad están defectuosos, comuníquese con su concesionario de servicio Husqvarna.



## Bloqueo del acelerador

El bloqueo del acelerador bloquea el acelerador.



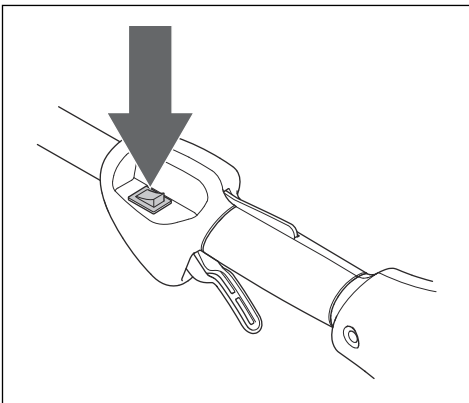
Presione el bloqueo del acelerador (A) para liberar el acelerador (B). Cuando suelta la manija, tanto el bloqueo del acelerador como el acelerador vuelven a sus posiciones iniciales.

1. Asegúrese de que el acelerador (B) se encuentre bloqueado al ralentí cuando suelte el bloqueo del acelerador (A).
2. Presione el bloqueo del acelerador (A) y asegúrese de que vuelva a su posición inicial cuando lo suelte.
3. Presione el acelerador (B) y asegúrese de que vuelva a su posición inicial cuando lo suelte.

Encienda el motor y aplique la aceleración máxima. Suelte el acelerador y examine si el equipo de corte se detiene. Si el equipo de corte gira con el acelerador en la posición de ralentí, examine el tornillo de ajuste de ralentí del carburador.

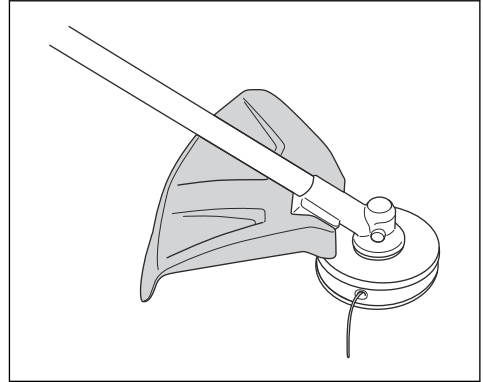
## Interruptor de detención

Arranque el motor. Asegúrese de que el motor se detenga cuando mueva el interruptor de detención a la posición de detención.



## Protección del equipo de corte

La protección del equipo de corte evita que un objeto suelto salga expulsado en dirección al usuario.



Examine la protección del equipo de corte en busca de daños y reemplácela si está dañada. Utilice solamente la protección aprobada para el equipo de corte.

## Silenciador

- No utilice un motor con un silenciador dañado. Un silenciador dañado aumenta el nivel de ruido y el riesgo de incendio. Mantenga un extintor de incendios cerca.
- Examine frecuentemente que el silenciador esté unido al producto.
- No toque el motor o el silenciador cuando el motor esté en marcha. No toque el motor o el silenciador por un tiempo después de que el motor se detenga. Las superficies calientes pueden causar lesiones.
- Un silenciador caliente puede provocar un incendio. Tenga cuidado si utiliza el producto cerca de líquidos inflamables o gases.
- No toque las piezas del silenciador si el silenciador está dañado. Las piezas pueden contener algunos productos químicos cancerígenos.

## Equipo de corte



**ADVERTENCIA:** Lea atentamente las instrucciones de advertencia siguientes antes de usar el producto.

- Realice el mantenimiento periódico. Permita que un centro de servicio autorizado examine frecuentemente el equipo de corte para realizar ajustes o reparaciones.
  - El rendimiento del equipo de corte aumenta.
  - La vida útil del equipo de corte aumenta.
  - Disminuye el riesgo de accidentes.
- Solamente utilice una protección aprobada para el equipo de corte. Para obtener más información, consulte *Accesorios en la página 38*.

- No utilice un equipo de corte dañado.

## Seguridad de combustible



**ADVERTENCIA:** Lea atentamente las instrucciones de advertencia siguientes antes de usar el producto.

- No mezcle el combustible en interiores o cerca de una fuente de calor.
- No arranque el producto si hay combustible o aceite de motor en el producto. Quite el combustible o aceite no deseado y deje secar el producto. Quite el combustible no deseado del producto.
- Si derrama combustible en su ropa, cámbiese la ropa inmediatamente.
- No permita que le caiga combustible en el cuerpo, ya que puede causar lesiones. Si le cae combustible en el cuerpo, utilice jabón y agua para quitarlo.
- No arranque el motor si derrama aceite o combustible en el producto o en su cuerpo.
- No arranque el producto si el motor tiene una fuga. Examine frecuentemente el motor en busca de fugas.
- Tenga cuidado con el combustible. El combustible es inflamable y los gases son explosivos y pueden causar lesiones graves o fatales.
- No respire los gases del combustible, ya que pueden causar lesiones. Asegúrese de que haya suficiente flujo de aire.
- No fume cerca del combustible o del motor.
- No coloque objetos calientes cerca del combustible o del motor.
- No agregue combustible cuando el motor esté en marcha.
- Asegúrese de que el motor se enfríe antes de llenar el depósito de combustible.
- Antes de llenar el depósito de combustible, abra lentamente la tapa del depósito de combustible y libere la presión con cuidado.
- No agregue combustible al motor en un área interior. Un flujo de aire insuficiente puede causar lesiones graves o fatales por asfixia o debido al monóxido de carbono.
- Apriete la tapa del depósito de combustible con cuidado para evitar incendios.
- Mueva el producto a un mínimo de 3 m (10 pies) de la posición en la que se llenó el depósito antes de empezar.

- No ponga demasiado combustible en el depósito de combustible.
- Asegúrese de que no se puedan provocar fugas cuando mueva el producto o el recipiente de combustible.
- No coloque el producto ni un recipiente de combustible donde haya una llama expuesta, una chispa o una fuente de calor. Asegúrese de que no haya una llama expuesta en el área de almacenamiento.
- Utilice solamente contenedores aprobados cuando mueva el combustible o coloque el combustible en el almacenamiento.
- Vacíe el depósito de combustible antes de un almacenamiento a largo plazo. Cumpla con las leyes locales en cuanto al lugar en dónde se puede deshacer del combustible.
- Limpie el producto antes de un almacenamiento a largo plazo.
- Retire el cable de la bujía antes de almacenar el producto, para asegurarse de que el motor no arranque accidentalmente.

## Instrucciones de seguridad para el mantenimiento



**ADVERTENCIA:** Lea atentamente las instrucciones de advertencia antes de realizar mantenimiento al producto.

- Realice solo el mantenimiento y el servicio que se indican en este manual del usuario. Deje que el personal de mantenimiento profesional realice todas las demás tareas de mantenimiento y reparación.
- Realice periódicamente las comprobaciones de seguridad, el mantenimiento y las instrucciones de servicio que se señalan en este manual. El mantenimiento periódico aumenta la vida útil del producto y disminuye el riesgo de accidentes. Consulte *Programa de mantenimiento en la página 34* para obtener instrucciones.
- Si las comprobaciones de seguridad de este manual de instrucciones no se aprueban después de realizar el mantenimiento, consulte con su concesionario de servicio. Garantizamos que existen reparaciones y servicios profesionales disponibles para su producto.

## Montaje

### Introducción



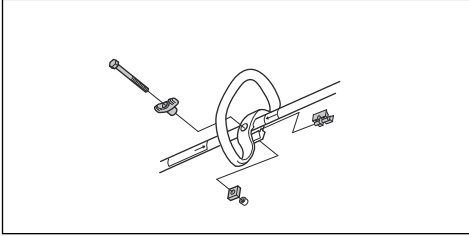
**ADVERTENCIA:** Antes de montar el producto, debe leer y entender el contenido del capítulo sobre seguridad.



**ADVERTENCIA:** Retire el cable de la bujía de la bujía antes de montar el producto.

## Conexión del mango cerrado

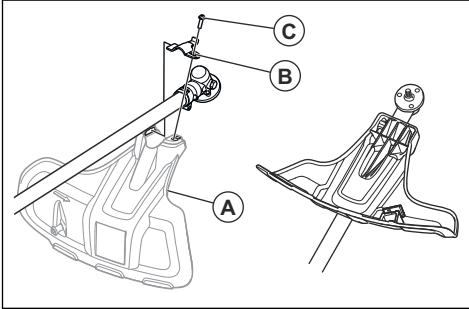
1. Coloque el mango cerrado entre las flechas del eje.
2. Apriete el perno para fijar el mango cerrado al eje.



## Para montar el equipo de corte

### Montaje de la protección del equipo de corte

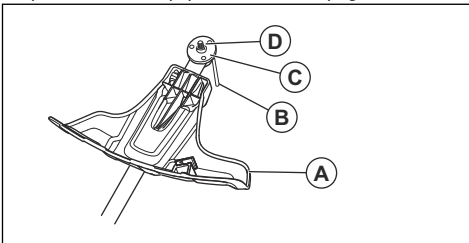
1. Coloque la protección del equipo de corte (A) en el equipo de corte en el eje.



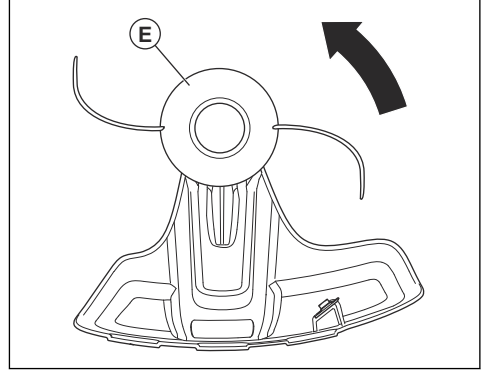
2. Coloque el soporte (B) en la ranura de la protección del equipo de corte.
3. Fije el perno (C) a través del orificio en el soporte hasta la protección del equipo de corte.

### Fijación del cabezal de corte

1. Asegúrese de que la protección del equipo de corte (A) quede fija en el producto. Consulte *Montaje de la protección del equipo de corte en la página 27*.



2. Asegúrese de que el disco de arrastre (C) quede fijo en el eje de salida (D).
3. Coloque la llave de estrella (C) en el orificio para bloquear el eje.
4. Coloque el cabezal de corte (E) en el eje de salida.
5. Gire el cabezal de corte hacia la izquierda para apretarlo al eje de salida.



6. Retire la llave de estrella.

# Funcionamiento

## Introducción



**ADVERTENCIA:** Antes de utilizar el producto, debe leer y entender el capítulo sobre seguridad.

## Combustible

Este producto tiene un motor de dos tiempos.



**AVISO:** Usar el tipo incorrecto de combustible puede causar daños en el motor. Utilice una mezcla de gasolina y de aceite para motores de dos tiempos.

## Combustible premezclado

- Utilice combustible de alquilato premezclado Husqvarna de buena calidad para obtener el mejor rendimiento y prolongar la vida útil del motor. Este combustible contiene menos químicos dañinos en comparación con el combustible normal, lo cual disminuye los gases de escape dañinos. La cantidad de restos después de la combustión es menor con este combustible, que mantiene más limpios los componentes del motor.

## Para mezclar combustible

### Gasolina



**AVISO:** No utilice gasolina con un octanaje inferior a 90 RON (87 AKI). Esto puede provocar daños al producto.



**AVISO:** No utilice gasolina con más de un 10 % de etanol concentrado (E10). Esto puede provocar daños al producto.

- Siempre utilice gasolina sin plomo nueva con un octanaje mínimo de 90 RON (87 AKI) y con menos de un 10 % de etanol concentrado (E10).
- Use gasolina con un octanaje superior si con frecuencia utiliza el producto a velocidades de motor continuamente altas.

### Aceite para motor de dos ciclos

- Use solamente aceite de motor de dos ciclos de alta calidad. Utilice solamente aceite de motor enfriado por aire.
- No utilice otros tipos de aceite.
- Proporción de mezcla 50:1 (2 %)

Gasolina	Aceite
1 gal EE. UU.	77 ml (2,6 oz)

Gasolina	Aceite
1 gal británico	95 ml (3,2 oz)
5 l	100 ml (3,4 oz)

## Para hacer la mezcla de combustible

**Tenga en cuenta:** Use siempre un recipiente de combustible limpio cuando mezcle el combustible.

**Tenga en cuenta:** No realice una cantidad de mezcla de combustible para más de 30 días.

- Agregue la mitad de la cantidad de gasolina.
- Agregue la cantidad total de aceite.
- Agite la mezcla de combustible para mezclar el contenido.
- Agregue la cantidad restante de gasolina.
- Agite la mezcla de combustible para mezclar el contenido.
- llene el depósito de combustible.

## Para agregar combustible

- Utilice siempre un recipiente de combustible con una válvula antiderrames.
- Si hay combustible en el recipiente, retire el combustible no deseado y deje que el contenedor se seque.
- Asegúrese de que el área cerca de la tapa del depósito de combustible está limpia.
- Agite el recipiente de combustible antes de agregar la mezcla de combustible al tanque de combustible.

## Para hacer un rodaje

- Durante las primeras 10 horas de funcionamiento, no aplique aceleración máxima sin carga por períodos extensos.

## Para arrancar y detener

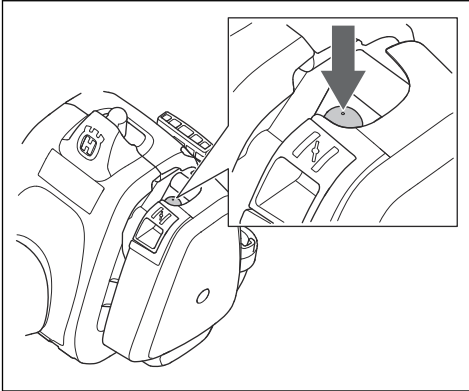
### Qué se debe examinar antes de comenzar

- Asegúrese de que al producto no le falten piezas ni que tenga piezas dañadas, flojas o desgastadas.
- Asegúrese de que las tuercas, los pernos y los tornillos estén apretados.
- Asegúrese de que el cabezal de corte no presente daños.
- Asegúrese de que el filtro de aire no esté obstruido.
- Asegúrese de que los dispositivos de seguridad del producto no estén defectuosos.

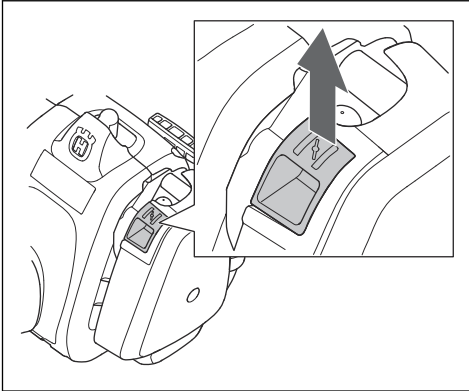
6. Asegúrese de que el producto no presente fugas de combustible.

### Para arrancar un motor frío

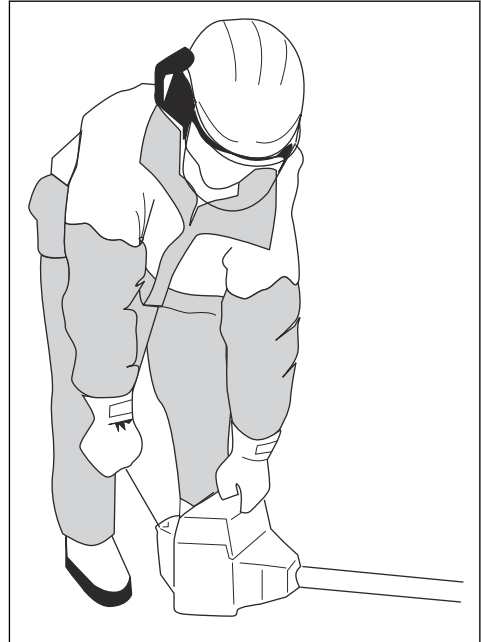
1. Presione el bulbo de la bomba de combustible de aire 10 veces.



2. Tire del estrangulador hacia arriba.



3. Mantenga el cuerpo del producto en el suelo con la mano izquierda.



No se pare sobre el producto. Tire de la empuñadura de la cuerda de arranque lentamente hasta que sienta resistencia. A continuación, tire de la empuñadura de la cuerda de arranque con fuerza.

**Tenga en cuenta:** No tire del acelerador cuando arranque el motor.

4. Siga tirando la empuñadura de la cuerda de arranque hasta que el motor arranque o intente arrancar (máximo de 3 tiros). Si el motor arranca o intenta arrancar, mantenga presionado el estrangulador. Siga tirando hasta que arranque el motor. Espere 60 segundos después del arranque antes de tirar el acelerador.



**AVISO:** No tire de la cuerda de arranque hasta que se detenga. No suelte la cuerda de arranque cuando esté totalmente extendida. Suelte la cuerda de arranque lentamente. Si no se siguen estas instrucciones, se pueden producir daños en el motor.

### Para arrancar un motor caliente

1. Presione el bulbo de la bomba de combustible de aire 10 veces.
2. Tire de la cuerda de arranque hasta que el motor arranque.

## Para arrancar el motor cuando el combustible está demasiado caliente

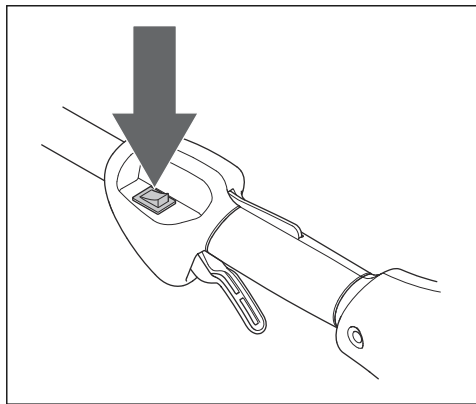
Si el producto no arranca, el combustible puede estar demasiado caliente.

**Tenga en cuenta:** Siempre utilice combustible nuevo y disminuya el tiempo de funcionamiento durante clima cálido.

1. Coloque el producto en un área fresca lejos de la luz solar directa.
2. Permita que el producto se enfríe durante 20 minutos como mínimo.
3. Presione el bulbo de la bomba de combustible repetidamente entre 10 y 15 segundos.
4. Obedezca el procedimiento para arrancar un motor frío. Consulte *Para arrancar un motor frío en la página 29*.

## Para detenerlo

- Presione el interruptor de detención para detener el motor.



**Tenga en cuenta:** El interruptor de detención regresa automáticamente a su posición inicial.

## Para utilizar la recortadora de césped

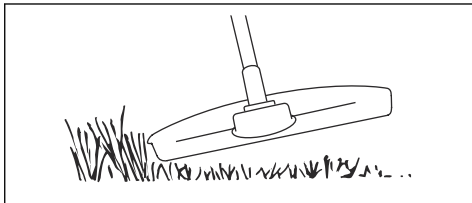


**AVISO:** Asegúrese de disminuir la velocidad del motor hasta un régimen de ralentí después de cada operación. Un largo período con el acelerador al máximo y sin carga en el motor puede causar daños a este último.

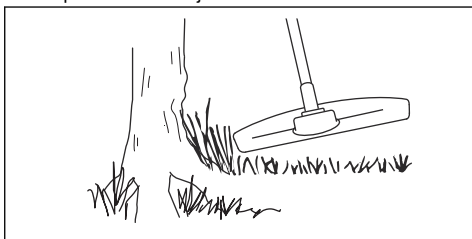
**Tenga en cuenta:** Limpie la cubierta del cabezal de corte cuando coloque un nuevo hilo para la recortadora a fin de evitar las vibraciones. Examine otras piezas del cabezal de corte y límpielas si es necesario.

## Para recortar el césped

1. Sostenga el cabezal de corte inmediatamente sobre el nivel del suelo en un ángulo. No presione el hilo de la recortadora de césped contra este último.

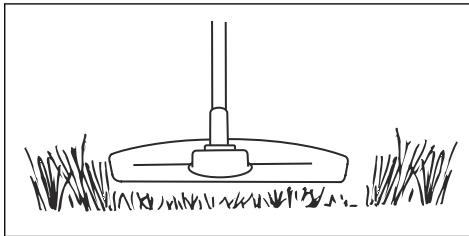


2. Disminuya la longitud del hilo de la recortadora entre 10 y 12 cm/4 y 4,75".
3. Disminuya el régimen del motor para reducir el riesgo de dañar las plantas.
4. Use una aceleración de un 80 % cuando corte el césped cerca de objetos.



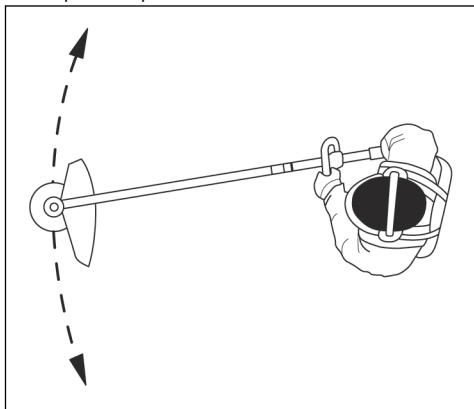
## Para cortar el césped

1. Asegúrese de que el hilo de la recortadora de césped esté paralelo al suelo cuando corte.



2. No presione el cabezal de corte contra el suelo. Puede dañar el suelo y el producto.
3. No permita que el cabezal de corte toque el suelo continuamente, ya que esto puede causar daños al cabezal de corte.

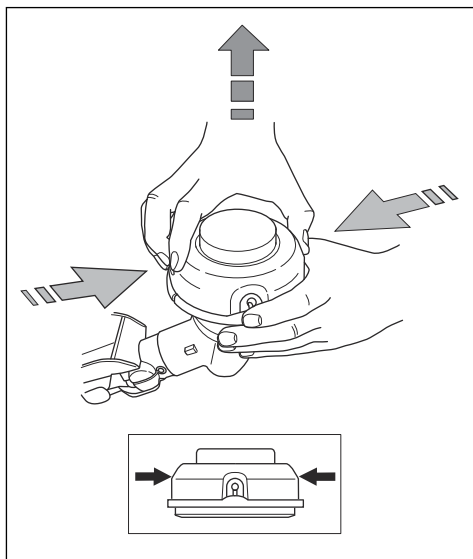
4. Utilice una aceleración máxima cuando mueva el producto de lado a lado para recortar el césped. Asegúrese de que el hilo de la recortadora de césped esté paralelo al suelo.

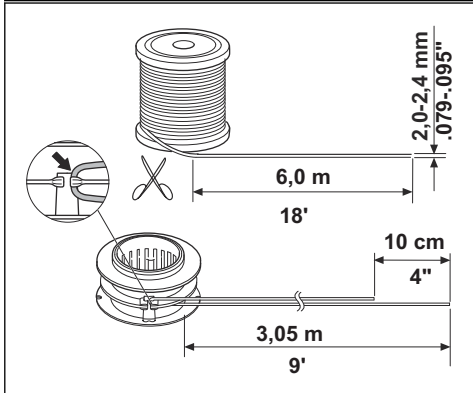
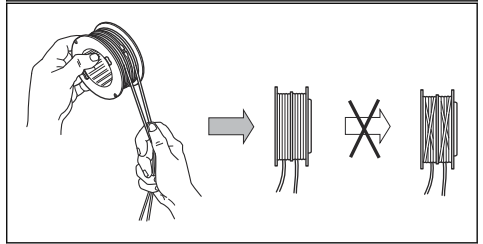
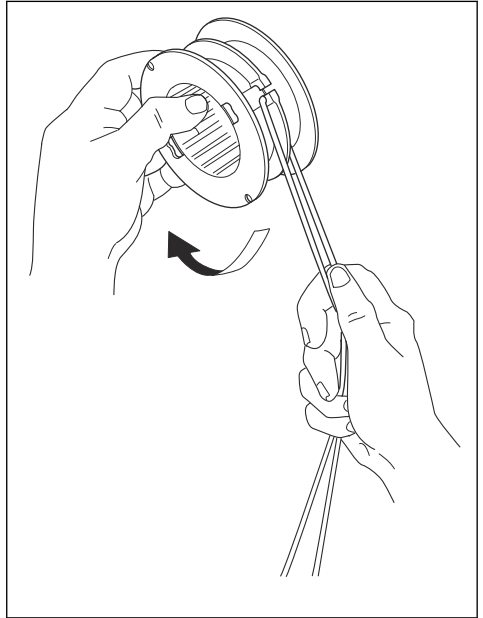
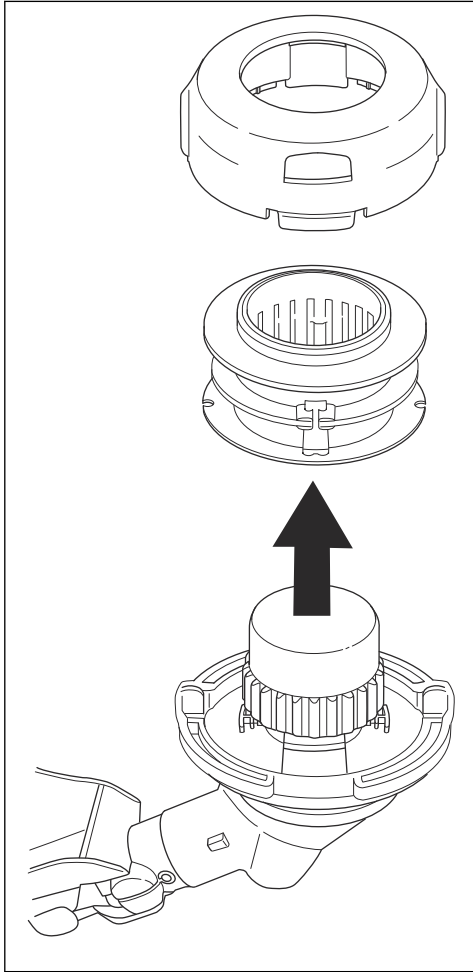


### Cabezal de corte para hierba

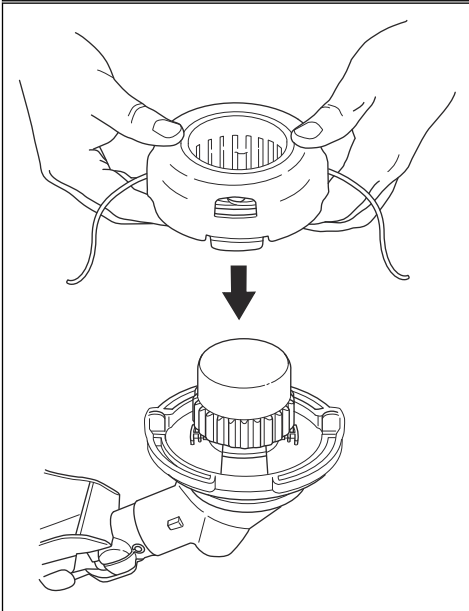
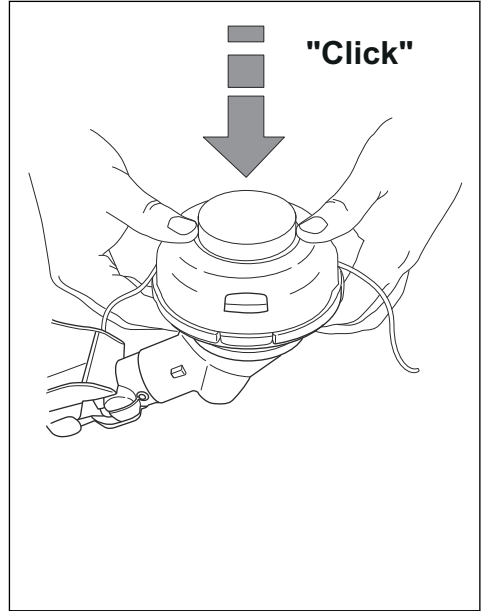
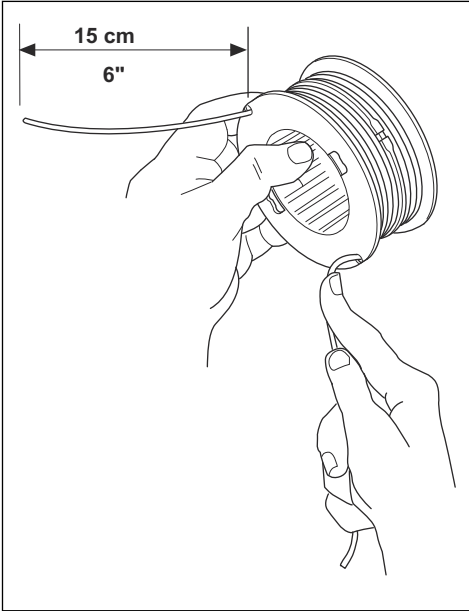
- Asegúrese de enrollar el hilo de la recortadora de césped firme y equitativamente alrededor del tambor para disminuir la vibración.
- Utilice solamente cabezales e hilos de corte para hierba aprobados. Consulte *Accesorios en la página 38*.
- Utilice una longitud correcta de hilo para la recortadora. Un hilo largo para la recortadora utiliza más potencia del motor que un hilo corto.
- Asegúrese de que la cortadora en la protección del equipo de corte no está dañada.
- Empape el hilo de la recortadora de césped en agua durante 2 días antes de conectarlo al producto. Esto aumenta la vida útil del hilo de la recortadora de césped.

### Para sustituir el hilo de la recortadora









# Mantenimiento

## Introducción



**ADVERTENCIA:** Antes de realizar el mantenimiento, debe leer y entender el capítulo sobre seguridad.

Para todos los trabajos de mantenimiento y reparación del producto, se requiere capacitación especial. Garantizamos la disponibilidad de trabajos de mantenimiento y reparación profesionales. Si el concesionario no cuenta con un taller de servicio, pídale información acerca del taller de servicio más cercano.

## Programa de mantenimiento

### Mantenimiento semanal

- Limpie las superficies externas.
- Asegúrese de que el equipo de corte no se mueva en régimen de ralentí. Consulte *Para ajustar el régimen de ralentí en la página 34*.
- Examine el nivel de grasa en el engranaje angulado. Consulte *Para agregar grasa al engranaje angulado en la página 36*.

### Mantenimiento mensual

- Asegúrese de que la empuñadura de la cuerda de arranque y la cuerda de arranque no presenten daños.

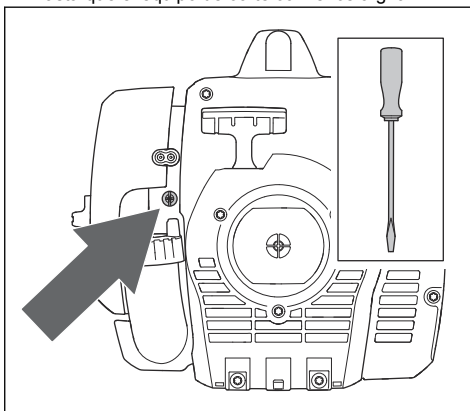
### Mantenimiento anual

- Examine la bujía. Consulte *Para examinar la bujía en la página 35*.
- Limpie las superficies externas del carburador y sus zonas adyacentes.
- Limpie el sistema de refrigeración.
- Examine la rejilla apagachispas. Consulte *Para realizar tareas de mantenimiento en la rejilla apagachispas en la página 34*.
- Examine el filtro de combustible.
- Asegúrese de que la manguera de combustible no presente daños.
- Asegúrese de que los cables y las conexiones del producto no presenten daños.

## Para ajustar el régimen de ralentí

- Asegúrese de que el filtro de aire esté limpio y que la cubierta del filtro de aire esté instalada antes de ajustar el régimen de ralentí.
- Ajuste el régimen de ralentí con el tornillo de ajuste de ralentí T, el cual se identifica con la marca "T".
- El régimen de ralentí es el correcto cuando el motor funciona correctamente en todas las posiciones. El régimen de ralentí debe ser inferior a la velocidad cuando el equipo de corte empieza a girar.

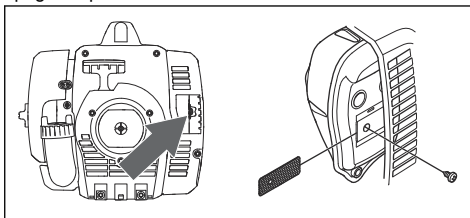
1. Gire el tornillo de ajuste de ralentí hacia la derecha hasta que el equipo de corte comience a girar.



2. Gire el tornillo de ajuste de ralentí hacia la izquierda hasta que el equipo de corte se detenga.

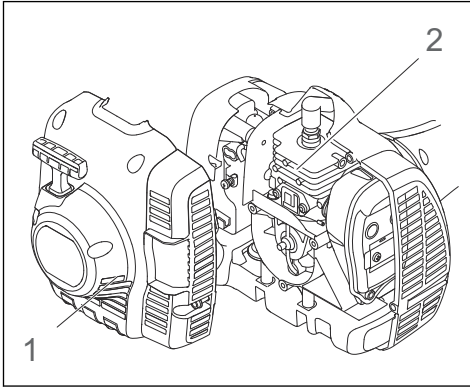
## Para realizar tareas de mantenimiento en la rejilla apagachispas

Use un cepillo de alambre para limpiar la rejilla apagachispas.



## Para limpiar el sistema de refrigeración

Limpie las piezas del sistema de refrigeración con un cepillo.



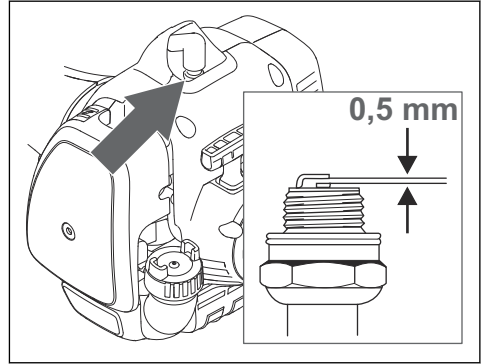
## Para examinar la bujía



**AVISO:** Utilice la bujía recomendada. Asegúrese de que la pieza de reemplazo sea la misma que la que proporcione el fabricante. Una bujía incorrecta puede causar daños al producto.

1. Examine la bujía cuando:
  - a) el motor tenga poca potencia.
  - b) el motor no arranque fácilmente.
  - c) el motor no funcione correctamente a régimen de ralentí.
2. Si el motor no arranca o funciona fácilmente, examine la bujía en busca de materiales no deseados. Para disminuir el riesgo de material no deseado en los electrodos de la bujía:
  - a) asegúrese de que el régimen de ralentí esté ajustado correctamente.
  - b) asegúrese de que la mezcla de combustible es la correcta.
  - c) asegúrese de que el filtro de aire esté limpio.

3. Limpie la bujía si está sucia. Revise que la separación entre los electrodos sea la correcta.

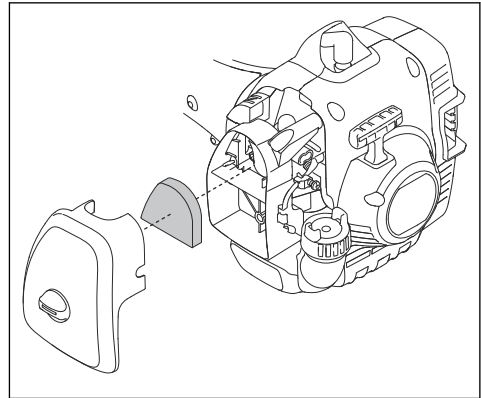


4. Reemplace la bujía cuando sea necesario.

## Para realizar el mantenimiento del filtro de aire

### Para limpiar el filtro de aire

1. Quite la cubierta del filtro de aire y retire el filtro de aire.



2. Limpie el filtro de aire con agua jabonosa caliente. Asegúrese de que el filtro de aire esté seco antes de instalarlo.
3. Reemplace el filtro de aire si está demasiado sucio para limpiarlo completamente. Siempre reemplace un filtro de aire dañado.
4. Si su producto tiene un filtro de aire de espuma, aplique aceite del filtro de aire. Solo aplique aceite del filtro de aire a un filtro de espuma. No aplique aceite a un filtro de fieltro.

## Para aplicar aceite del filtro de aire al filtro de aire

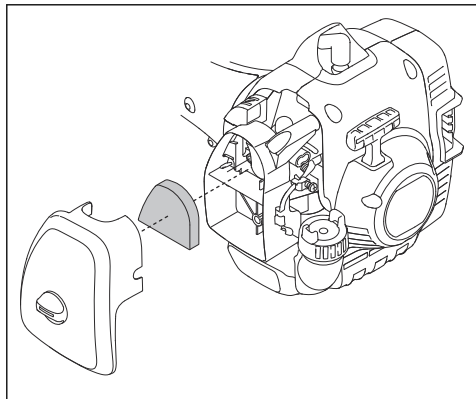


**AVISO:** Utilice siempre un aceite especial de filtros de aire en los filtros de aire de espuma. No utilice otros tipos de aceite.

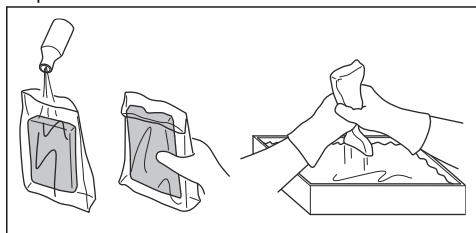


**ADVERTENCIA:** Evite que le caiga aceite en el cuerpo.

1. Quite la cubierta del filtro de aire y retire el filtro de aire.



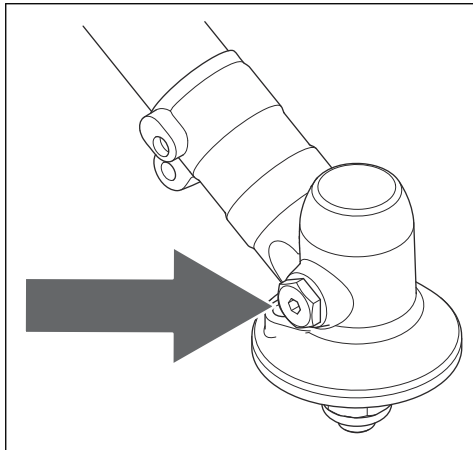
2. Coloque el filtro de aire en una bolsa de plástico.
3. Coloque el aceite del filtro de aire en una bolsa de plástico.



4. Empuje la bolsa de plástico para asegurarse de que el aceite se distribuya equitativamente en el filtro de aire.
5. Presione el filtro de aire, mientras se encuentra en la bolsa, para quitar el aceite que no sea necesario. Saque el filtro de aire de la bolsa.
6. Instale el filtro de aire.

## Para agregar grasa al engranaje angulado

Asegúrese de que la grasa para engranajes angulados llene 3/4 del engranaje angulado.



## Solución de problemas

### El motor no arranca

Verificar	Causa posible	Procedimiento
Interruptor de detención	El interruptor de detención está en la posición de detención.	Mueva el interruptor de detención hacia la posición de arranque.

Verificar	Causa posible	Procedimiento
Ganchos de arranque	Los ganchos de arranque no se pueden mover libremente.	Retire la cubierta del arranque y limpie alrededor de los ganchos de arranque.
		Permita que un taller de servicio aprobado lo ayude.
Depósito de combustible	Tipo de combustible incorrecto	Vacíe el depósito de combustible y llénelo con combustible correcto.
Bujía	La bujía está sucia o mojada.	Asegúrese de que la bujía esté limpia y seca.
	La distancia entre los electrodos de la bujía es incorrecta.	Limpie la bujía. Asegúrese de que la distancia entre los electrodos sea la correcta. Asegúrese de que la bujía está equipada con un supresor.
		Consulte los datos técnicos para comprobar la distancia entre los electrodos.
	La bujía está floja.	Ajuste la bujía.

## El motor arranca, pero se detiene de nuevo.

Verificar	Causa posible	Procedimiento
Depósito de combustible	Tipo de combustible incorrecto	Vacíe el depósito de combustible y rellénelo con el combustible correcto.
Filtro de aire	El filtro de aire está obstruido.	Limpie el filtro de aire.

## Transporte, almacenamiento y eliminación de residuos

### Transporte y almacenamiento

- Deje enfriar el producto antes de transportarlo o almacenarlo.
- Retire el sombrero de bujía antes del almacenamiento durante un período prolongado.
- Fije el producto durante el transporte. Asegúrese de que no se mueva.

- Asegúrese de que no existan riesgos de fugas de combustible, vapores de combustible, chispas ni llamas durante el transporte y el almacenamiento.
- Limpie y realice mantenimiento en el producto antes de almacenarlo durante un período prolongado.

## Datos técnicos

### Datos técnicos

	325L A05328CSHV
<b>Motor</b>	

	<b>325L</b>
	<b>A05328CSHV</b>
Cilindrada, pulg. cúb/cm <sup>3</sup>	1,68/27,6
Régimen de ralentí, rpm	2800 - 3200
Velocidad máxima recomendada, rpm	8000
Potencia/alimentación máx. del motor, según la norma ISO 8893, kW/hp a rpm	0,9/1,2 a 8000
Silenciador con catalizador	Sí
Velocidad de eje de salida, rpm	7200
<b>Sistema de encendido</b>	
Bujía	Husqvarna HQT-4
Distancia entre los electrodos, pulg/mm	0,02/0,5
<b>Sistema de combustible</b>	
Capacidad del depósito de combustible, pinta EE. UU./l	0,725/0,343
<b>Dimensiones del producto</b>	
Peso (sin incluir el equipo de corte), kg/lb	11,0/5,0

---

## Accesorios

---

### Accesorios

Accesorios aprobados	Tipo	Protección del equipo de corte
Eje roscado	M10L	
Cabezal de corte	T35, Ø 2,4 mm	588 54 37-01

## Table des matières

Introduction.....	39	Dépannage.....	55
Sécurité.....	41	Transport, entreposage et mise au rebut.....	56
Montage.....	46	Données techniques.....	56
Fonctionnement.....	47	Accessoires.....	57
Entretien.....	53		

## Introduction

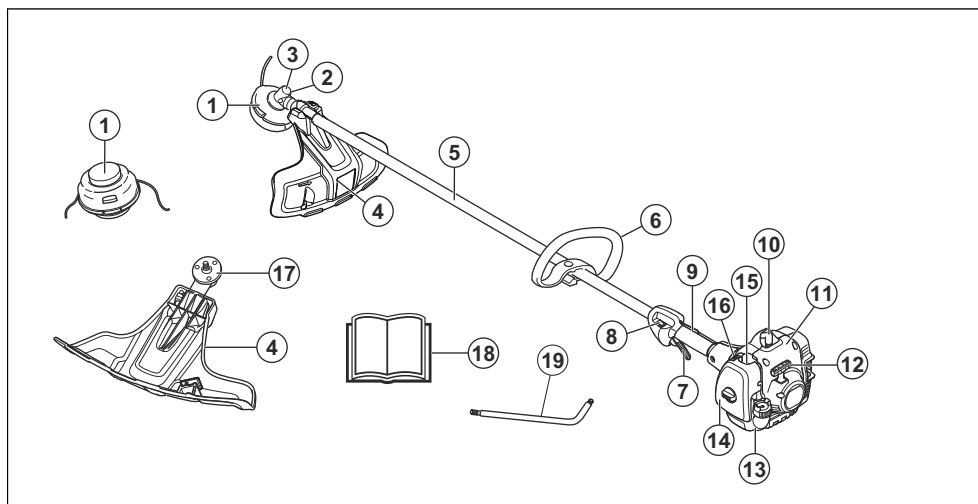
### Manuel d'utilisation

La langue initiale de ce manuel de l'opérateur est l'anglais. Les manuels de l'utilisateur fournis dans d'autres langues sont des traductions de l'anglais.

### Utilisation prévue

Le produit est utilisé avec une tête de coupe pour couper l'herbe. Ne pas utiliser le produit pour des tâches autres que la coupe d'herbe.

### Présentation de l'appareil



- |  |   |
|--|---|
| 1. Tête de coupe   | 10. Capuchon de bougie, bougie d'allumage |
| 2. Bouchon de remplissage de graisse                           | 11. Boîtier du lanceur                    |
| 3. Pignon conique  | 12. Corde du lanceur                      |
| 4. Protection de l'outil de coupe                              | 13. Réservoir de carburant                |
| 5. Arbre   | 14. Couvercle du filtre à air             |
| 6. Poignée de boucle   | 15. Pompe de purge d'air                  |
| 7. Commande des gaz  | 16. Commande de l'étrangleur              |
| 8. Interrupteur d'arrêt  | 17. Disque d'entraînement                 |
| 9. Dispositif de verrouillage de la gâchette de l'accélérateur | 18. Manuel d'utilisation                  |

## Symboles figurant sur l'appareil



**AVERTISSEMENT!** Ce produit est dangereux. L'opérateur ou les personnes à proximité peuvent subir des blessures graves voire mortelles si le produit n'est pas utilisé correctement et avec précaution. Pour éviter des blessures à l'opérateur ou aux personnes à proximité, lire et respecter toutes les consignes de sécurité contenues dans le manuel d'utilisation.



Avant d'utiliser l'appareil, lire attentivement le manuel d'utilisation et veiller à bien comprendre les directives.



Utiliser un dispositif de protection homologué pour les oreilles. Utiliser un dispositif de protection homologué pour les yeux.



Prendre soin de retenir les cheveux longs au dessus des épaules.



L'outil peut engendrer des projections d'objets, ce qui peut causer des blessures.



Vitesse de rotation maximale de l'arbre de sortie.



Tenir les personnes et les animaux à une distance minimale de 15 m (50 pi) pendant l'utilisation de l'appareil.



N'utiliser que de fils de coupe souples



Ne pas utiliser des éléments de coupe en métal



Les flèches indiquent les limites de position du guidon.



Pompe de purge d'air.



Volet de départ.



Faire le plein.

La plaque signalétique indique le numéro de série. **yyyy** représente l'année de production, **ww** indique la semaine de production et **xxxx** indique le numéro séquentiel.

yyyywwxxxx

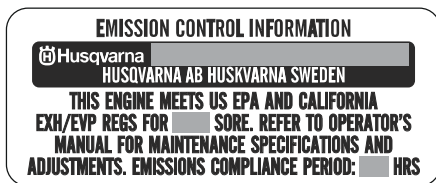
**Remarque :** Les autres symboles/autocollants présents sur l'outil renvoient aux exigences en matière de certification pour d'autres zones commerciales.

## Responsabilité concernant le produit

Comme indiqué dans les lois en vigueur sur la responsabilité concernant les produits, nous ne serons pas tenus responsables des dommages que notre produit causerait dans les situations suivantes :

- Le produit n'est pas réparé de façon adéquate.
- Le produit est réparé avec des pièces qui ne sont pas fournies ou homologuées par le fabricant.
- Le produit comprend un accessoire qui n'est pas fourni ou homologué par le fabricant.
- Le produit n'est pas réparé par un centre de service après-vente agréé ou par une autorité homologuée.

## EPA III



La période de conformité aux normes d'émissions indiquée sur les étiquettes de conformité aux normes d'émissions se rapporte au nombre d'heures de fonctionnement du moteur qui répond aux exigences fédérales en matière d'émissions. N'importe quel établissement ou agent de réparation de moteur non routier peut effectuer l'entretien, le remplacement et la réparation des dispositifs et du système de contrôle des émissions.



## Proposition 65



# ATTENTION!

Les émissions du moteur de cet outil contiennent des produits chimiques qui, d'après l'État de Californie, peuvent causer le cancer, des malformations congénitales ou autre danger pour la reproduction.

## Sécurité

### Sécurité en matière de vibrations

Ce produit est réservé à un usage occasionnel. L'utilisation continue ou fréquente de l'outil peut entraîner le syndrome du « doigt mort » ou d'autres problèmes médicaux équivalents à cause des vibrations. Examiner souvent l'état de vos mains et de vos doigts si l'outil est utilisé de façon continue ou fréquente. Si vos mains ou vos doigts présentent une décoloration, sont douloureux, picotent ou sont engourdis, cesser de travailler et consulter un médecin immédiatement.

### Définitions relatives à la sécurité

Les définitions ci-dessous indiquent le niveau de gravité pour chaque mot signal.



**Danger** Indique un risque qui, s'il n'est pas évité, entraînera la mort ou des blessures graves.



**AVERTISSEMENT** : Indique un risque qui, s'il n'est pas évité, pourrait entraîner la mort ou des blessures graves.



**MISE EN GARDE** : Indique un risque qui, s'il n'est pas évité, pourrait entraîner des blessures mineures ou modérées, des dégâts d'équipement ou des dégâts matériels.

**Remarque** : Cette information facilite l'utilisation de l'outil.

### Consignes générales de sécurité



**AVERTISSEMENT** : Lire les messages d'avertissement qui suivent avant d'utiliser l'outil.

- Utiliser l'outil correctement. Des blessures graves ou mortelles peuvent résulter d'une utilisation non adéquate. Utiliser l'outil seulement pour les tâches décrites dans le présent manuel. Ne pas utiliser cet outil pour d'autres tâches.
- Suivre les instructions de ce manuel. Respecter les symboles et les instructions de sécurité. Si l'opérateur ne respecte pas les instructions et les symboles, il pourrait en résulter des blessures, des dommages ou la mort.
- Ne pas jeter ce manuel. Utiliser les instructions pour assembler l'outil, le faire fonctionner et le conserver en bon état. Suivre les instructions pour l'installation correcte des équipements et accessoires. Utiliser uniquement des pièces et accessoires homologués.
- Ne pas utiliser l'outil s'il est endommagé. Respecter le calendrier d'entretien. N'effectuer que les travaux d'entretien prescrits dans ce manuel. Un centre agréé doit effectuer tous les autres travaux d'entretien.
- Ce manuel ne décrit pas toutes les situations qui peuvent se produire lorsqu'on utilise l'outil. Rester prudent et faire preuve de bon sens. Ne pas faire fonctionner l'outil ni effectuer un entretien sur l'outil si vous n'êtes pas sûr de la situation. Pour obtenir plus d'information, s'adresser à un spécialiste de l'outil, à votre revendeur, à un atelier de réparation ou à un centre de service après-vente agréé.
- Débrancher le câble d'allumage avant d'installer, de stocker ou de procéder à l'entretien de l'outil.
- Ne pas utiliser l'outil si des modifications contraires à ses caractéristiques initiales y ont été apportées. Ne pas modifier une partie de l'outil sans l'approbation du fabricant. Utiliser seulement des pièces approuvées par le fabricant. Des blessures graves ou mortelles peuvent résulter d'un entretien non adéquat.
- Ne pas respirer les vapeurs du moteur. L'inhalation à long terme des produits d'échappement du moteur représente un danger pour la santé.

- Ne pas démarrer l'outil dans un local clos ou à proximité de matériaux inflammables. Les gaz d'échappement sont très chauds et peuvent contenir des étincelles qui peuvent causer un incendie. Un débit d'air insuffisant peut entraîner des blessures ou la mort en raison d'une asphyxie ou du monoxyde de carbone.
- Lors de l'utilisation de ce produit, le moteur génère un champ électromagnétique. Le champ électromagnétique peut endommager les implants médicaux. Parler à votre médecin et au fabricant de l'implant avant d'utiliser l'outil.
- Ne pas laisser un enfant utiliser l'outil. Ne laisser personne utiliser la machine sans connaître les instructions.
- S'assurer de toujours surveiller les personnes avec des capacités physiques ou mentales réduites qui utilisent le produit. Un adulte responsable doit être présent à tout moment.
- Enfermer le produit dans un endroit verrouillé auquel les enfants et les personnes non autorisées ne peuvent pas accéder.
- Le produit peut projeter des objets et causer des blessures. Respecter les consignes de sécurité afin de réduire le risque de blessures graves ou mortelles.
- Ne pas s'éloigner de l'outil lorsque le moteur est sous tension.
- Tout accident avec cet outil engage la responsabilité de l'opérateur.
- Avant d'utiliser l'outil, vérifier que les pièces ne sont pas endommagées.
- S'assurer d'être à au moins 15 m (50 pi) d'autres personnes ou d'animaux avant d'utiliser le produit. S'assurer que toutes les personnes dans les environs immédiats sont informés que vous allez utiliser le produit.
- Consulter les lois nationales ou locales. Elles peuvent interdire ou limiter l'utilisation de l'outil dans certaines conditions.
- Ne pas utiliser le produit en cas de fatigue ou sous l'emprise de l'alcool, de drogues ou de médicaments. Ils peuvent avoir des effets indésirables sur votre vision, votre attention, votre coordination des gestes ou votre jugement.

## Consignes de sécurité pour l'utilisation

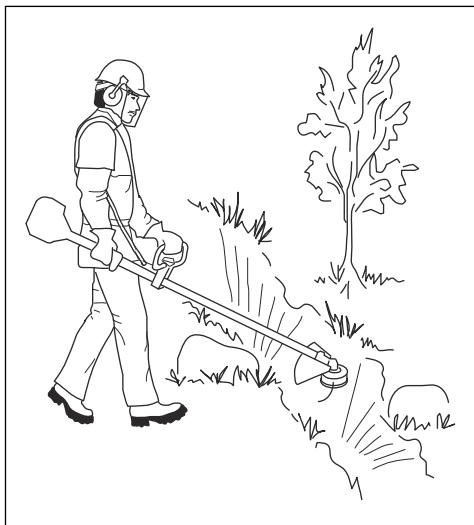
- Vérifier que le produit est livré assemblé avant de l'utiliser.
- Avant de commencer, déplacer le produit à 3 m (10 pi) de l'endroit où l'appoint de carburant a été effectué. Placer le produit sur une surface plane. Vérifier que l'outil de coupe ne touche pas le sol ou tout autre objet.
- Le produit peut causer des projections d'objets, ce qui peut causer des dommages aux yeux. Toujours utiliser un dispositif de protection homologué pour les yeux lorsqu'on utilise le produit.
- Si un enfant se trouve à proximité, faire preuve de prudence lors de l'utilisation du produit.
- Ne pas faire fonctionner le produit s'il y a des personnes dans la zone de travail. Arrêter le produit si une personne passe dans la zone de travail.
- Vérifier qu'on garde toujours le contrôle du produit.
- Ne pas utiliser ce produit si on ne peut pas recevoir de l'aide en cas d'accident. Toujours vérifier que d'autres personnes savent qu'on va utiliser le produit avant de commencer à le faire.
- Ne pas tourner avec le produit sans s'assurer qu'aucune personne ni aucun animal ne se trouvent dans la zone de sécurité.
- Retirer tous les matériaux indésirables de la zone de travail avant de commencer. Si l'outil de coupe heurte un objet, celui-ci peut être projeté et engendrer des blessures ou des dommages. Des matériaux indésirables peuvent s'enrouler autour de l'outil de coupe et causer des dommages.
- Ne pas utiliser ce produit par mauvais temps (brouillard, pluie, vent violent, risque d'éclair ou autres conditions climatiques défavorables). Les conditions de travail peuvent devenir dangereuses (tels que les surfaces glissantes) à cause des intempéries.
- S'assurer qu'on peut se déplacer librement et travailler dans une position stable.

## Consignes de sécurité pour l'assemblage

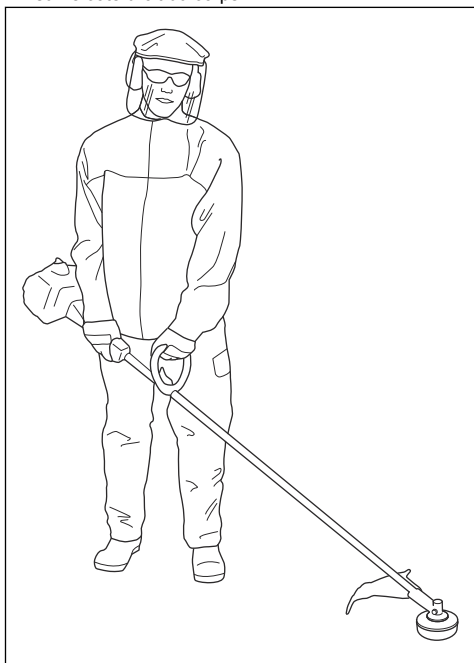


**AVERTISSEMENT** : Lire les messages d'avertissement qui suivent avant d'utiliser l'appareil.

- Débrancher le chapeau de bougie de la bougie d'allumage avant d'assembler le produit.
- Utiliser des gants de protection homologués.
- S'assurer d'assembler adéquatement le couvercle et l'arbre avant de démarrer le moteur.



- Vérifier qu'il n'y a pas de risque de chute lors de l'utilisation l'outil. Ne pas incliner le produit lors de son utilisation.
- Toujours tenir le produit des deux mains. Tenir l'outil sur le côté droit du corps.



- Utiliser le produit en plaçant l'outil de coupe sous la taille.

- Si la commande d'étrangleur se trouve à la position de démarrage quand le moteur démarre, l'outil de coupe commence à tourner.
- Ne pas toucher le pignon conique après l'arrêt du moteur. Le pignon conique est chaud après l'arrêt du moteur. Les points chauds peuvent causer des blessures.
- Arrêter le moteur avant de déplacer le produit.
- Ne pas déposer le produit alors que le moteur est en marche.
- Avant de retirer les matériaux indésirables du produit, arrêter le moteur et attendre jusqu'à l'arrêt de l'outil de coupe. Laisser l'outil de coupe s'arrêter avant de retirer ou de faire retirer le matériau végétal.

### Équipement de protection personnelle



**AVERTISSEMENT** : Lire les messages d'avertissement qui suivent avant d'utiliser l'appareil.

- Toujours utiliser un équipement de protection personnelle lors de l'utilisation du produit. L'équipement de protection personnelle ne supprime pas le risque de blessures. L'équipement de protection personnelle réduit la gravité des blessures en cas d'accident.
- Toujours utiliser un dispositif de protection homologué pour les yeux lorsqu'on utilise le produit.
- Ne pas utiliser le produit avec les pieds nus ou des chaussures ouvertes. Utiliser toujours des bottes antidérapantes robustes.
- Porter un pantalon long et robuste.
- Au besoin, utiliser des gants de protection homologués.
- Utiliser un casque s'il est possible que des objets tombent sur la tête.
- Toujours utiliser un dispositif de protection homologué pour les oreilles lorsqu'on utilise le produit. Le fait d'entendre du bruit pendant une longue période peut engendrer une perte auditive.
- Vérifier qu'on dispose d'une trousse de premiers soins à proximité.

### Dispositifs de sécurité sur l'outil

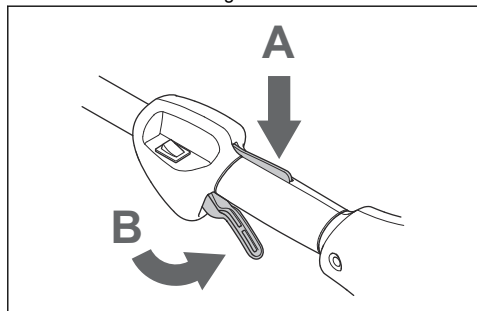


**AVERTISSEMENT** : Lire les messages d'avertissement qui suivent avant d'utiliser l'outil.

- Ne pas utiliser un outil dont les dispositifs de protection sont défectueux.
- Vérifier régulièrement les dispositifs de sécurité. Reportez-vous à *Présentation de l'appareil à la page 39*.
- Si les dispositifs de sécurité sont défectueux, communiquer avec votre centre de services Husqvarna

## Dispositif de verrouillage de la gâchette de l'accélérateur

Le dispositif de verrouillage de la gâchette de l'accélérateur verrouille la gâchette de l'accélérateur.



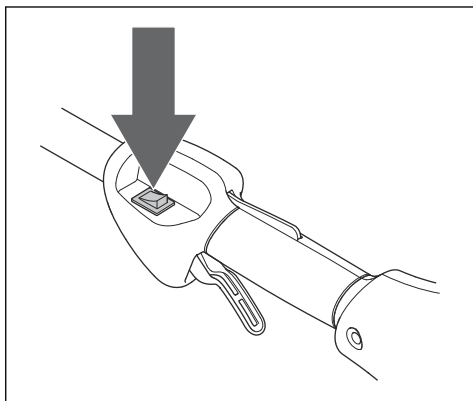
Appuyer sur le dispositif de verrouillage de la gâchette de l'accélérateur (A) pour relâcher la gâchette de l'accélérateur (B). Une fois la poignée relâchée, le dispositif de verrouillage de la commande des gaz et la commande des gaz retournent à leurs positions initiales.

1. Vérifier que la gâchette de l'accélérateur (B) est verrouillée à la position de ralenti lorsqu'on relâche le dispositif de verrouillage de la gâchette de l'accélérateur (A).
2. Appuyer sur le dispositif de verrouillage de la gâchette de l'accélérateur (A) et s'assurer qu'il retourne à sa position initiale lorsqu'on le relâche.
3. Appuyer sur la gâchette d'accélération (B) et s'assurer qu'elle retourne à sa position initiale lorsqu'on le relâche.

Démarrer le moteur et le faire tourner à plein régime. Relâcher la gâchette de l'accélérateur et examiner si l'outil de coupe s'arrête. Si l'outil de coupe tourne pendant que l'accélérateur se trouve à la position de ralenti, examiner la vis de réglage de ralenti du carburateur.

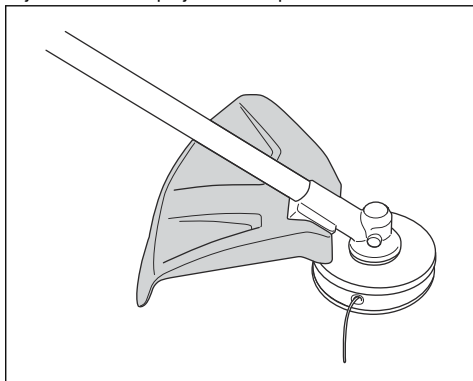
## Interrupteur d'arrêt

Démarrer le moteur. Vérifier que le moteur s'arrête lorsque l'interrupteur est déplacé à la position d'arrêt.



## Protection de l'outil de coupe

La protection de l'accessoire de coupe empêche qu'un objet détaché soit projeté vers l'opérateur.



Vérifier le dispositif de protection de l'outil de coupe pour détecter d'éventuels dommages; le remplacer s'il est endommagé. Utiliser seulement une protection homologuée pour l'outil de coupe.

## Silencieux

- Ne pas utiliser un moteur dont le silencieux est endommagé. Un silencieux endommagé augmente le niveau sonore et le risque d'incendie. Garder un extincteur à proximité.
- S'assurer régulièrement que le silencieux est fixé sur le produit.
- Ne pas toucher le moteur ou le silencieux alors que le moteur est sous tension. Ne pas toucher le moteur ou le silencieux pendant un moment après l'arrêt du moteur. Les surfaces chaudes peuvent causer des blessures.

- Un silencieux chaud peut causer un incendie. Rester prudent lorsqu'on utilise le produit à proximité de liquides ou de vapeurs inflammables.
- Ne pas toucher les pièces du silencieux si celui-ci est endommagé. Les pièces peuvent contenir des produits chimiques cancérigènes.

## Outil de coupe



**AVERTISSEMENT** : Lire les messages d'avertissement qui suivent avant d'utiliser l'appareil.

- Effectuer l'entretien de routine. Communiquer avec un centre agréé pour examiner régulièrement l'outil de coupe et effectuer les réglages et les réparations.
  - Cette précaution augmente les performances de l'outil de coupe.
  - Cette précaution augmente la durée de vie de l'outil de coupe.
  - Cette précaution réduit le risque d'accident.
- Utiliser seulement un dispositif de protection d'outil de coupe homologué. Pour obtenir des renseignements supplémentaires, voir *Accessoires à la page 57*.
- Ne pas utiliser un équipement de coupe endommagé.

## Sécurité – carburant



**AVERTISSEMENT** : Lire les messages d'avertissement qui suivent avant d'utiliser l'outil.

- Ne pas mélanger le carburant à l'intérieur ou à proximité d'une source de chaleur.
- Ne pas démarrer l'outil s'il y a du carburant ou de l'huile moteur sur l'outil. Nettoyer le carburant ou l'huile et laisser sécher l'outil. Nettoyer tout carburant qui souille l'outil.
- Si du carburant se déverse sur les vêtements, changer immédiatement de vêtement.
- Ne pas déverser du carburant sur le corps; cela pourrait causer des blessures. Si du carburant se déverse sur le corps, se nettoyer au savon doux et à l'eau.
- Ne pas démarrer le moteur si de l'huile ou du carburant se renverse sur l'outil ou sur le corps.
- Ne pas démarrer l'outil si le moteur présente une fuite. Vérifier régulièrement le moteur à la recherche de fuites.
- Faire preuve de prudence lors de la manipulation du carburant. Celui-ci est inflammable et ses vapeurs sont explosives et peuvent causer des blessures ou la mort.
- Ne pas respirer les vapeurs de carburant, car elles peuvent causer des blessures. Vérifier que la ventilation est suffisante.

- Ne pas fumer à proximité du carburant ou du moteur.
- Ne pas placer des objets chauds à proximité du carburant ou du moteur.
- Ne pas faire le plein de carburant lorsque le moteur tourne.
- Vérifier que le moteur est froid avant de faire le plein.
- Avant de faire le plein, ouvrir lentement le couvercle du réservoir de carburant et relâcher la pression avec précaution.
- Ne pas faire le plein dans une pièce fermée. Un débit d'air insuffisant peut entraîner des blessures ou la mort en raison d'une asphyxie ou du monoxyde de carbone.
- Serrer le couvercle du réservoir de carburant avec précaution, car un feu pourrait se déclencher.
- Avant de démarrer l'outil, le déplacer à au moins 3 m (10 pi) de la position où le plein de carburant a été fait.
- Ne pas mettre trop de carburant dans le réservoir de carburant.
- Vérifier qu'une fuite ne peut se produire lorsqu'on déplace l'outil ou le bidon d'essence.
- Ne pas placer l'outil ou un bidon d'essence dans un espace où il y a une flamme nue, des étincelles ou une veilleuse. Vérifier que la zone de stockage ne contient pas de flamme nue.
- Utiliser seulement des conteneurs agréés pour transporter ou stocker le carburant.
- Vider le réservoir de carburant avant de le remiser pour une période prolongée. Toujours respecter la législation locale sur la façon de mettre le carburant au rebut.
- Nettoyer l'outil avant de le remiser pour une période prolongée.
- Débrancher le câble d'allumage avant de remiser l'outil, afin de s'assurer que le moteur ne démarre pas par inadvertance.

## Consignes de sécurité pour la maintenance



**AVERTISSEMENT** : Lire les messages d'avertissement qui suivent avant de procéder à l'entretien du produit.

- N'effectuer que les travaux de réparation et d'entretien décrits dans ce manuel d'utilisation. Laisser le personnel d'entretien professionnel effectuer toutes les autres opérations d'entretien et de réparation.
- Effectuer régulièrement les vérifications de sécurité, de maintenance et d'entretien conformément aux instructions fournies dans ce manuel. Un entretien régulier augmente la durée de vie du produit et réduit le risque d'accidents. Se reporter à la section *Calendrier d'entretien à la page 53* pour obtenir des instructions.

- Si les vérifications de sécurité indiquées dans ce manuel d'utilisation ne sont pas homologuées une fois l'entretien effectué, communiquer avec votre

centre de services. La disponibilité des réparations et des entretiens effectués de façon professionnelle est garantie pour votre produit.

## Montage

### Introduction



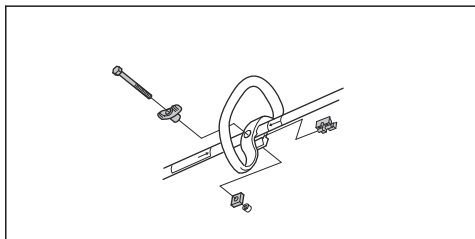
**AVERTISSEMENT** : Avant d'assembler le produit, lire et bien comprendre le chapitre sur la sécurité.



**AVERTISSEMENT** : Débrancher le câble de la bougie d'allumage de la bougie d'allumage avant d'assembler le produit.

### Pose du guidon-boucle

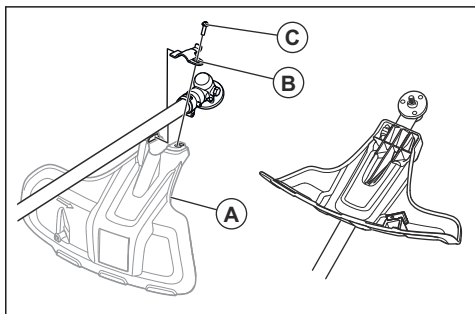
1. Placer la poignée en boucle entre les flèches dessinées sur l'arbre.
2. Serrer le boulon pour fixer la poignée en boucle sur l'arbre.



### Montage de l'outil de coupe

#### Pour assembler le dispositif de protection de l'outil de coupe

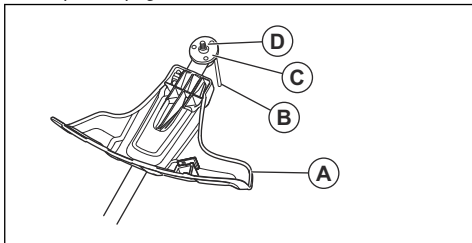
1. Placer la protection de l'outil de coupe (A) sur l'arbre.



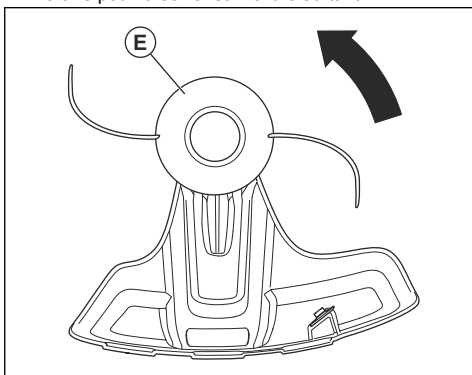
2. Placer le support (B) dans la fente située sur la protection de l'outil de coupe.
3. Fixer le boulon (C) par le trou du support à la protection de l'outil de coupe.

#### Fixation de la tête de désherbage

1. S'assurer que la protection de l'outil de coupe (A) est fixée sur le produit. Se reporter à la section *Pour assembler le dispositif de protection de l'outil de coupe à la page 46.*



2. S'assurer que le disque d'entraînement (C) est fixé sur l'arbre sortant (D).
3. Placer la clé Torx (B) dans le trou pour bloquer l'arbre.
4. Placer la tête de désherbage (B) sur l'arbre sortant.
5. Tourner la tête de désherbage dans le sens anti-horaire pour la serrer sur l'arbre sortant.



6. Retirer la clé Torx.

# Fonctionnement

## Introduction



**AVERTISSEMENT** : Avant d'utiliser le produit, lire et bien comprendre le chapitre sur la sécurité.

## Carburant

Cet outil est équipé d'un moteur à deux-temps.



**MISE EN GARDE** : Un type de carburant inapproprié peut endommager le moteur. Utiliser un mélange d'essence et d'huile pour moteur à deux-temps.

## Carburant prémélangé

- Utiliser du carburant alkylat prémélangé Husqvarna de bonne qualité, pour des performances optimales et un prolongement de la durée de vie du moteur. Ce carburant contient moins de substances chimiques nocives par rapport à un carburant régulier, ce qui réduit les gaz d'échappement nocifs. La quantité de dépôts après combustion est inférieure avec ce carburant, ce qui maintient les composants du moteur plus propres.

## Pour mélanger le carburant

### Essence



**MISE EN GARDE** : Ne pas utiliser d'essence avec un indice d'octane inférieur à 90 RON (87 AKI). Ceci peut causer des dommages sur le produit.



**MISE EN GARDE** : Ne pas utiliser d'essence avec une concentration d'éthanol supérieure à 10 % (E10). Ceci peut causer des dommages sur le produit.

- Toujours utiliser de l'essence neuve sans plomb d'indice d'octane minimal de 90 RON (87 AKI) et avec une concentration en éthanol inférieure à 10 % (E10).
- Utiliser de l'essence avec un taux d'octane supérieur pour utiliser fréquemment le produit à régime moteur élevé en permanence.

### Huile pour moteur deux-temps

- Utiliser seulement une huile pour moteur deux-temps de qualité très élevée. N'utiliser qu'une huile moteur refroidie à l'air.
- Ne pas utiliser d'autres types d'huile.
- Taux du mélange 50:1 (2 %)

Essence	Huile
1 gal US	77 ml (2,6 oz)
1 gal UK	95 ml (3,2 oz)
5 l	100 ml (3,4 oz)

## Mélange de carburant

**Remarque** : Utiliser toujours un récipient de carburant propre pour mélanger le carburant.

**Remarque** : Ne pas effectuer une quantité de mélange de carburant pour plus de 30 jours.

- Ajouter la moitié de la quantité d'essence.
- Ajouter la quantité totale d'huile.
- Agiter le mélange de carburant pour mélanger le contenu.
- Ajouter l'essence restante.
- Agiter le mélange de carburant pour mélanger le contenu.
- Remplir le réservoir de carburant.

## Ajout de carburant

- Toujours utiliser un bidon d'essence comportant un robinet antidéversement.
- S'il y a un peu de carburant sur ou dans le récipient, nettoyer le carburant et laisser le récipient au sec.
- Vérifier que le couvercle du réservoir de carburant est propre.
- Agiter le récipient à carburant avant d'ajouter le mélange de carburant dans le réservoir de carburant.

## Pour effectuer un rodage

- Pendant les 10 premières heures de fonctionnement, ne pas faire tourner le moteur à plein régime sans charge pendant de longues périodes.

## Démarrage et arrêt

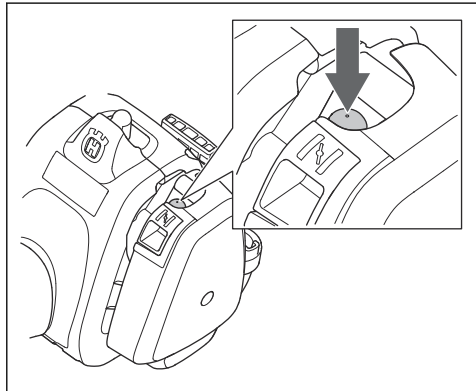
### Vérification avant le démarrage

- S'assurer qu'aucune pièce du produit n'est manquante, endommagée, desserrée ou usée.
- S'assurer que les écrous, les vis et les boulons sont serrés.
- S'assurer que la tête de désherbage n'est pas endommagée.
- Vérifier que le filtre à air n'est pas bouché.

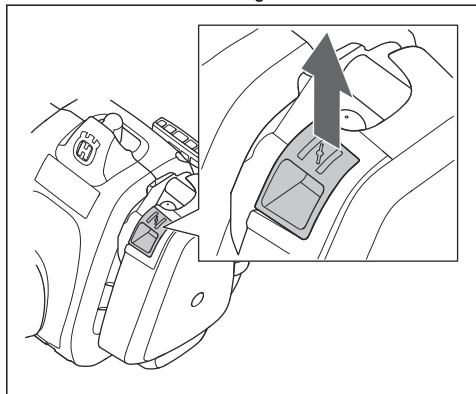
5. S'assurer que les dispositifs de sécurité du produit ne sont pas défectueux.
6. S'assurer que le produit ne présente aucune fuite de carburant.

### Démarrage d'un moteur froid

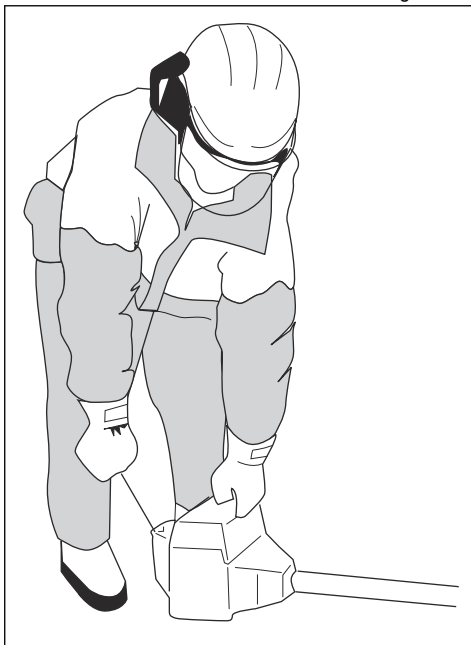
1. Appuyer 10 fois sur la pompe à carburant.



2. Tirer la commande d'étrangleur vers le haut.



3. Maintenir l'outil sur le sol à l'aide de la main gauche.



Ne pas marcher sur l'outil. Tirer lentement la poignée du câble du lanceur jusqu'à rencontrer une résistance. Tirer ensuite la poignée du câble du lanceur avec force.

**Remarque :** Ne pas tirer la gâchette de l'accélérateur lors du démarrage du moteur.

4. Continuer à tirer la poignée de la corde de lancement jusqu'à ce que le moteur démarre ou essaie de démarrer (maximum 3 fois). Si le moteur démarre ou essaie de démarrer, enfoncer la commande d'étrangleur. Continuer de tirer jusqu'à ce que le moteur démarre. Patienter 60 secondes après le démarrage avant de tirer la gâchette de l'accélérateur.



**MISE EN GARDE :** Ne pas tirer sur le cordon du lanceur jusqu'à ce qu'il s'arrête. Ne pas lâcher la corde du démarreur lorsqu'elle est complètement déployée. Relâcher lentement la corde du démarreur. Le non-respect de respecter ces instructions peut causer des dommages au moteur.

### Démarrage d'un moteur chaud

1. Appuyer 10 fois sur la pompe à carburant.
2. Tirer sur le cordon du lanceur jusqu'à ce que le moteur démarre.



## Démarrage du moteur lorsque le carburant est trop chaud

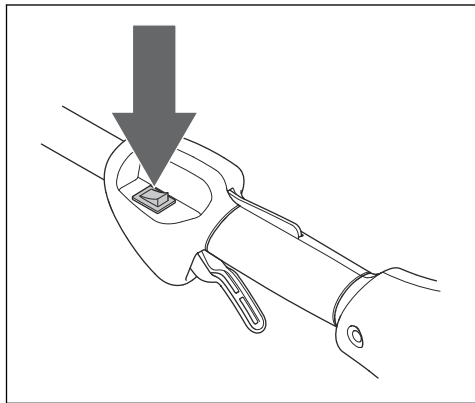
Si l'outil ne démarre pas, le carburant peut être trop chaud.

**Remarque :** Toujours utiliser du carburant neuf et réduire la durée de fonctionnement par temps chaud.

1. Placer l'outil dans un endroit frais à l'écart des rayons du soleil.
2. Laisser l'outil refroidir pendant au moins 20 minutes.
3. Appuyer sur la pompe à carburant à plusieurs reprises pendant 10 à 15 secondes.
4. Procéder de la même façon que pour le démarrage à froid. Se reporter à la section *Démarrage d'un moteur froid* à la page 48.

## Arrêt

- Appuyer sur l'interrupteur d'arrêt pour arrêter le moteur.



**Remarque :** L'interrupteur d'arrêt revient automatiquement à sa position initiale.

## Utilisation du coupe-herbe

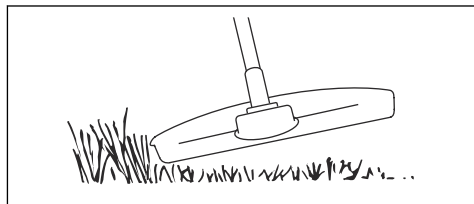


**MISE EN GARDE :** Prendre soin de ralentir le moteur au régime de ralenti après chaque opération. Une longue période à plein régime sans charge sur le moteur peut endommager le moteur.

**Remarque :** Pour éviter les vibrations, nettoyer le couvercle de la tête de coupe lorsqu'on fixe un nouveau fil coupe-herbe. Vérifier les autres parties de la tête de coupe et les nettoyer selon le besoin.

## Tonte du gazon

1. Tenir la tête de coupe tout juste au-dessus du sol, en l'inclinant. Ne pas appuyer le fil de coupe dans l'herbe.

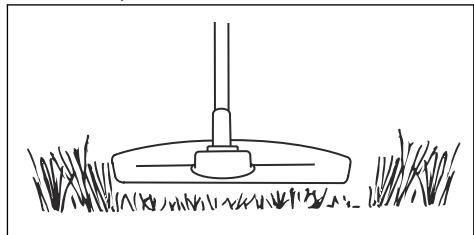


2. Diminuer la longueur du fil de coupe de 10-12 cm (4-4,75 po).
3. Réduire le régime du moteur pour réduire le risque d'endommager les plantes.
4. Utiliser 80 % de l'accélération lorsqu'on doit couper l'herbe à proximité d'objets.



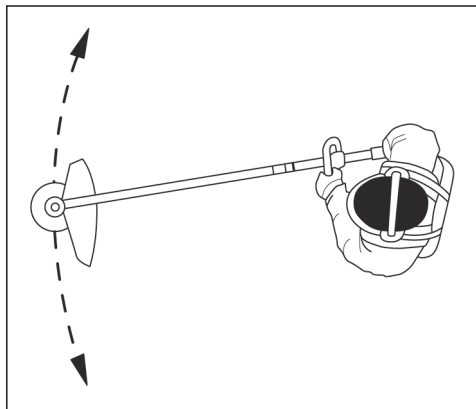
## Pour couper l'herbe

1. Pour effectuer une coupe, vérifier que le fil coupe-herbe est parallèle au sol.



2. Ne pas appuyer la tête de coupe sur le sol. Cela peut endommager le sol et le produit.
3. Ne pas laisser la tête de coupe toucher le sol en permanence; cela peut endommager la tête de coupe.

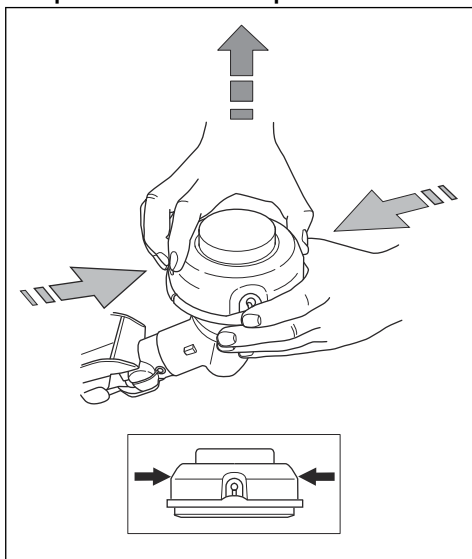
4. Faire tourner le moteur à plein régime lorsqu'on déplace le produit d'un côté à l'autre pour couper l'herbe. Vérifier que le fil coupe-herbe est parallèle au sol.

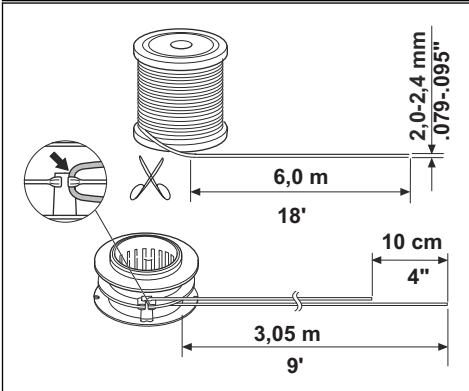
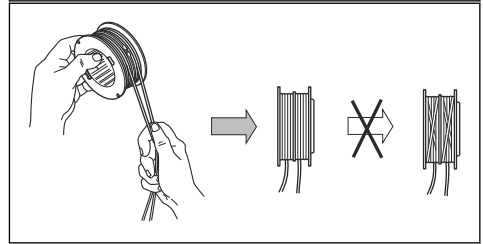
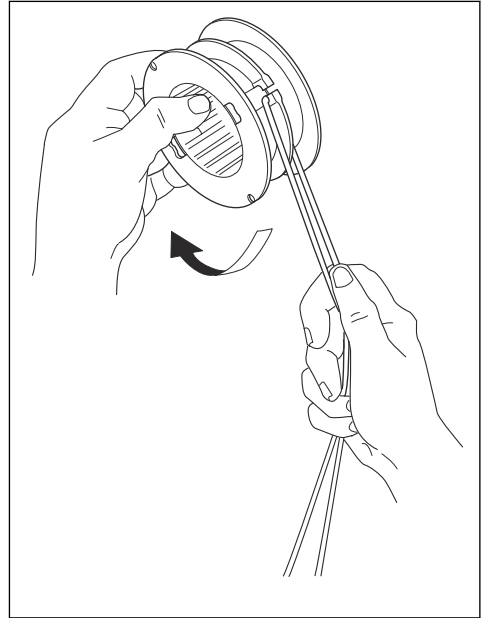
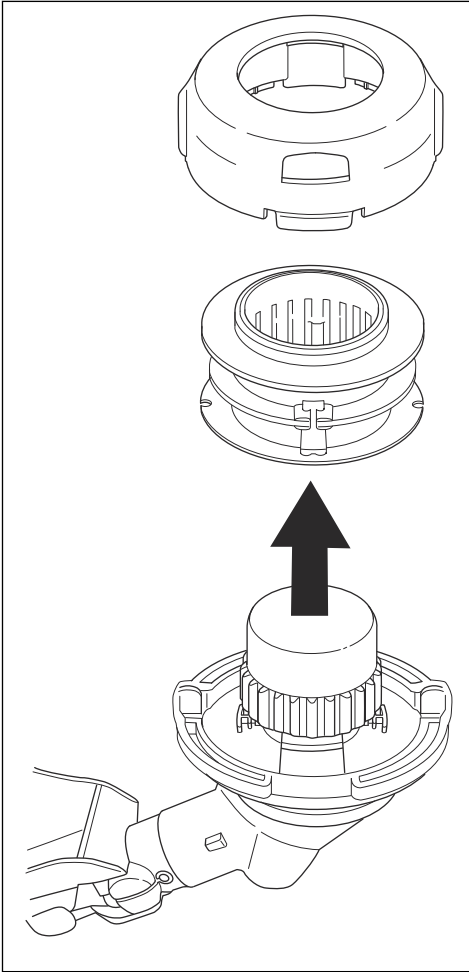


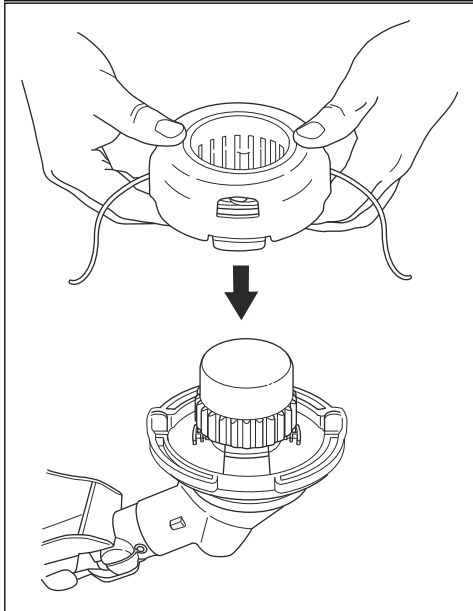
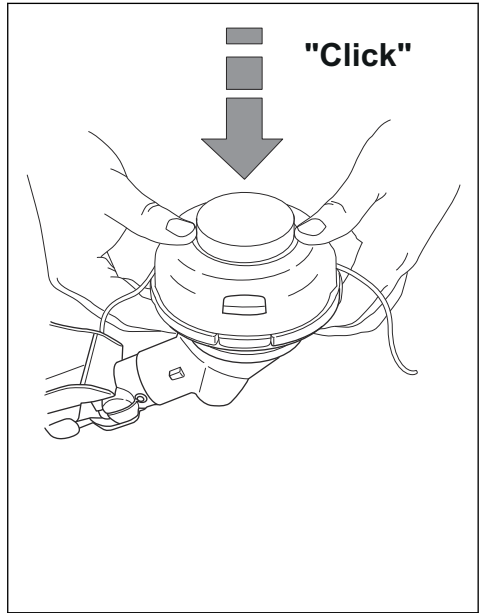
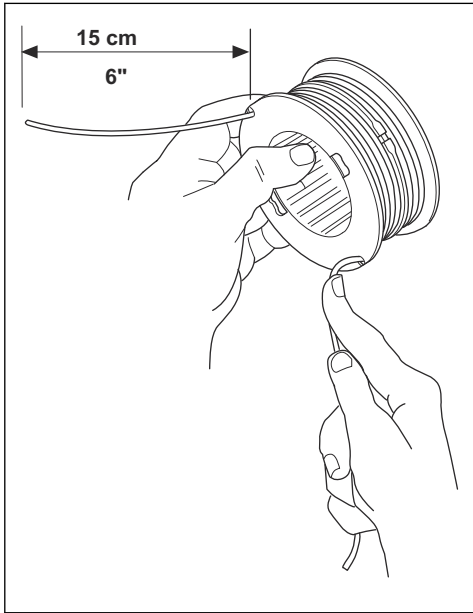
### Tête de coupe d'herbe

- Vérifier que le fil coupe-herbe est fermement et uniformément enroulé autour du tambour; cette précaution réduit les vibrations.
- Utiliser seulement des têtes de coupe-herbe et des fils coupe-herbe homologués. Voir *Accessoires à la page 57*
- Utiliser un fil coupe-herbe de longueur adéquate. Un fil coupe-herbe plus long utilise plus de puissance de moteur qu'un fil coupe-herbe court.
- Vérifier que le couteau monté sur le dispositif de protection de l'outil de coupe n'est pas endommagé.
- Tremper le fil coupe-herbe dans de l'eau pendant deux jours avant de monter le fil coupe-herbe sur le produit. Cette précaution permet d'augmenter la durée de vie du fil coupe-herbe.

### Remplacement du fil coupe-herbe







# Entretien

## Introduction



**AVERTISSEMENT** : Avant de procéder à l'entretien, lire et bien comprendre le chapitre sur la sécurité.

Pour tous les travaux d'entretien et de réparation sur le produit, une formation spécifique est nécessaire. La disponibilité des réparations et des entretiens effectués de façon professionnelle est garantie. Si un distributeur n'est pas un agent d'entretien, communiquer avec lui pour connaître l'agent d'entretien le plus proche.

## Calendrier d'entretien

### Entretien hebdomadaire

- Nettoyer les surfaces externes.
- S'assurer que l'outil de coupe ne tourne pas au régime de ralenti. Se reporter à la section *Réglage du régime de ralenti* à la page 53.
- Examiner le niveau de graisse dans le renvoi d'angle. Se reporter à la section *Ajouter de la graisse au pignon conique* à la page 55.

### Entretien mensuel

- S'assurer que la poignée et la corde du lanceur ne sont pas endommagées.

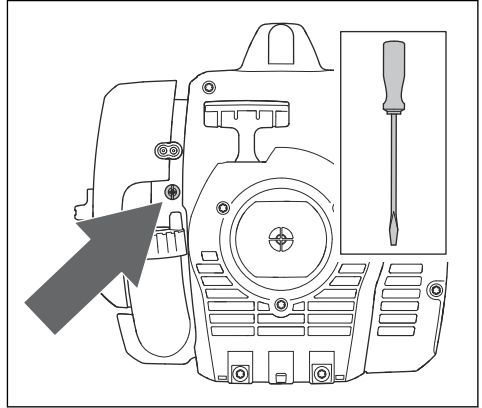
### Maintenance annuelle

- Vérifier la bougie d'allumage. Se reporter à la section *Vérification de la bougie d'allumage* à la page 54
- Nettoyer les surfaces externes du carburateur et les zones adjacentes.
- Nettoyer le système de refroidissement.
- Vérifier l'écran pare-étincelles. Se reporter à la section *Entretien de l'écran pare-étincelles* à la page 53.
- Vérifier le filtre à carburant.
- S'assurer que le tuyau à carburant n'est pas endommagé.
- S'assurer que les câbles et les connexions du produit ne sont pas endommagés.

## Réglage du régime de ralenti

- Vérifier que le filtre à air est propre et que le couvercle du filtre à air est fixé avant de régler le régime de ralenti.
- Régler le régime de ralenti à l'aide de la vis de réglage de ralenti en T, identifiée par le repère « T ».
- Le régime de ralenti est adéquat lorsque le moteur fonctionne sans à-coups dans toutes les positions. Le régime de ralenti doit être inférieur à la vitesse lorsque l'outil de coupe commence à tourner.

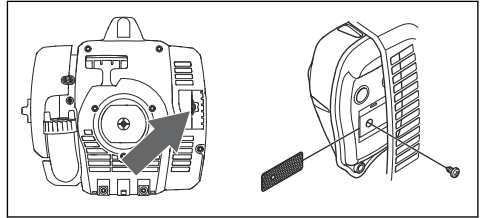
1. Tourner la vis de réglage de ralenti dans le sens horaire jusqu'à ce que l'outil de coupe commence à tourner.



2. Tourner la vis de réglage de ralenti dans le sens antihoraire jusqu'à ce que l'outil de coupe s'arrête.

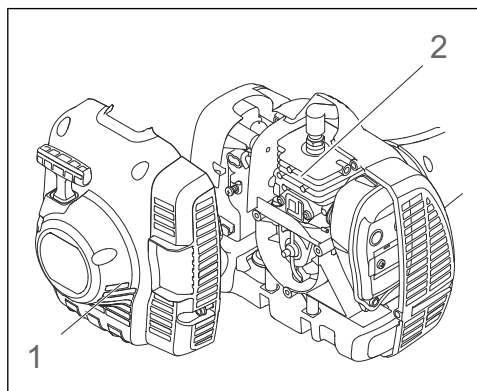
## Entretien de l'écran pare-étincelles

Utiliser une brosse métallique pour nettoyer l'écran pare-étincelles.



## Nettoyage du système de refroidissement

Nettoyer les pièces du circuit de refroidissement au moyen d'une brosse.



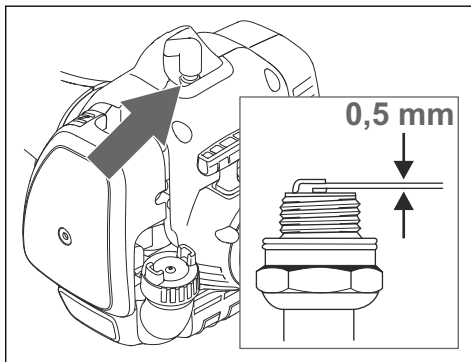
## Vérification de la bougie d'allumage



**MISE EN GARDE :** Utiliser la bougie recommandée. Vérifier que les pièces de rechange sont les mêmes que celles fournies par le fabricant. Une bougie inadéquate peut causer des dommages au produit.

1. Vérifier la bougie d'allumage dans les cas suivants :
  - a) Le moteur manque de puissance.
  - b) Le moteur ne démarre pas facilement.
  - c) Le moteur ne fonctionne pas correctement au régime de ralenti.
2. Si le moteur n'est pas facile à démarrer ou faire fonctionner, examiner la bougie pour les matériaux indésirables. Afin de réduire le risque de matériau indésirable sur les électrodes de la bougie :
  - a) Vérifier que le régime de ralenti est réglé de façon adéquate.
  - b) Vérifier que le mélange de carburant est correct.
  - c) Vérifier que le filtre à air est propre.

3. Nettoyer la bougie si elle est sale. S'assurer que l'écartement des électrodes est correct.

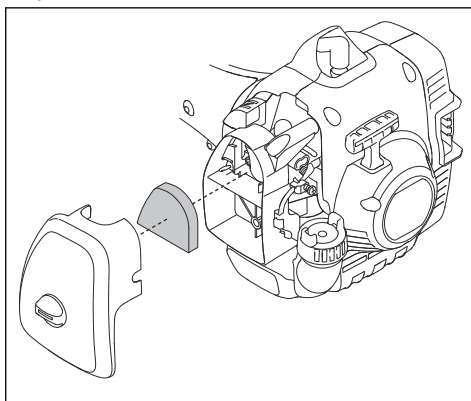


4. Remplacer la bougie d'allumage selon le besoin.

## Entretien du filtre à air

### Nettoyage du filtre à air

1. Retirer le couvercle du filtre à air et retirer le filtre à air.



2. Nettoyer le filtre à air à l'eau savonneuse chaude. Vérifier que le filtre à air est sec avant de l'installer.
3. Remplacer le filtre à air s'il est trop sale pour le nettoyer entièrement. Toujours remplacer les filtres à air endommagés.
4. Si votre produit est équipé d'un filtre à air en mousse, appliquer de l'huile pour filtre à air. Appliquer seulement de l'huile pour filtre sur un filtre en mousse. Ne pas appliquer de l'huile sur un filtre en feutre.

## Application de l'huile pour filtre à air sur le filtre à air

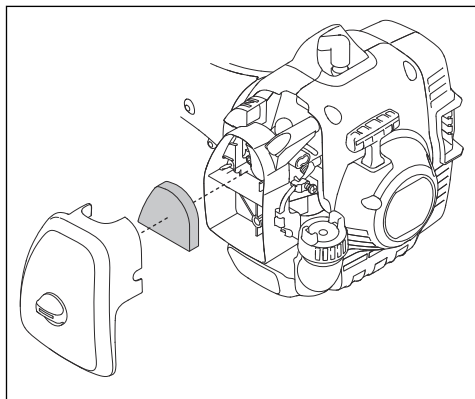


**MISE EN GARDE :** Toujours utiliser de l'huile spéciale pour filtre à air sur les filtres à air en mousse. Ne pas utiliser d'autres types d'huile.

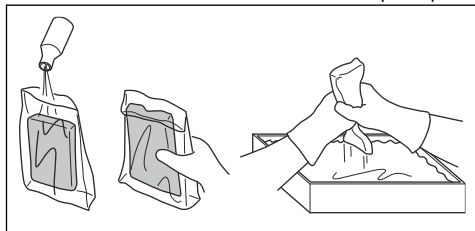


**AVERTISSEMENT :** Ne pas mettre d'huile sur le corps.

1. Retirer le couvercle du filtre à air et retirer le filtre à air.



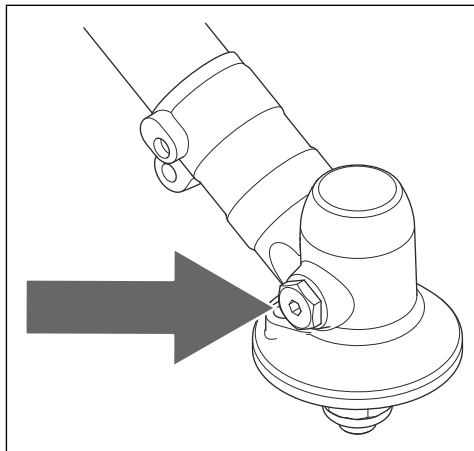
2. Placer le filtre à air dans un sac en plastique.
3. Placer l'huile du filtre à air dans le sac en plastique.



4. Appuyer le sac en plastique pour vérifier que l'huile alimente également l'ensemble du filtre à air.
5. Appuyer sur le filtre à air dans le sac, pour retirer l'huile de filtre à air qui n'est pas nécessaire. Retirer le filtre à air de son emballage.
6. Installer le filtre à air.

## Ajouter de la graisse au pignon conique

Vérifier que le pignon conique est rempli de graisse au 3/4 du pignon conique.



## Dépannage

### Le moteur ne démarre pas.

Vérifier	Cause possible	Procédure
Interrupteur d'arrêt.	L'interrupteur d'arrêt est à la position d'arrêt.	Régler l'interrupteur d'arrêt à la position de démarrage.

Vérifier	Cause possible	Procédure
Cliquets de lanceur à rappel.	Les cliquets de lanceur à rappel ne peuvent se déplacer librement.	Retirer le couvercle du démarreur et nettoyer autour des cliquets de lanceur à rappel.
		Laisser un agent d'entretien agréé vous aider.
Réservoir de carburant.	Type de carburant inapproprié.	Vidanger le réservoir de carburant et faire le plein avec le carburant correct.
Bougie d'allumage.	La bougie d'allumage est sale ou humide.	S'assurer que la bougie est propre et sèche.
	L'écartement des électrodes de la bougie d'allumage est incorrect.	Nettoyer la bougie d'allumage. Vérifier que l'écartement des électrodes est correct. S'assurer que la bougie d'allumage est dotée d'un supprimeur.
	La bougie d'allumage est desserrée.	Serrer la bougie d'allumage.

## Le moteur démarre mais s'arrête à nouveau

Vérifier	Cause possible	Procédure
Réservoir de carburant	Type de carburant inapproprié.	Vider le réservoir de carburant et faire le plein avec le carburant correct.
Filtre à air	Le filtre à air est bouché.	Nettoyer le filtre à air.

## Transport, entreposage et mise au rebut

### Transport et entreposage

- Laisser le produit refroidir avant le transport ou le remisage.
- Retirer le capuchon de la bougie d'allumage avant de le remettre pour une période prolongée.
- Fixer le produit pendant le transport. S'assurer qu'il ne puisse pas bouger.
- S'assurer qu'il n'y a aucun risque de fuites de carburant, de vapeurs de carburant, d'étincelles ou de flammes pendant le transport et le stockage.
- Nettoyer et entretenir le produit avant de le remettre pour une période prolongée.

## Données techniques

### Données techniques

	<b>325L</b>
	<b>A05328CSHV</b>
<b>Moteur</b>	



	<b>325L</b> <b>A05328CSHV</b>
Cylindrée, po3/cm <sup>3</sup>	1,68/27,6
Régime de ralenti, tr/min	Entre 2 800 et 3 200
Régime maximal recommandé, tr/min	8 000
Puissance/sortie max. du moteur, conformément à la norme ISO 8893, kW/hp à tr/min	0,9/1,2 à 8 000
Silencieux du pot catalytique	Oui
Régime de l'arbre de sortie, tr/min	7200
<b>Système d'allumage</b>	
Bougie d'allumage	Husqvarna HQT-4
Écartement des électrodes, po/mm	0.02/0.5
<b>Circuit d'alimentation</b>	
Capacité du réservoir de carburant, pte US/ l	0,725/0,343
<b>Dimensions de l'outil</b>	
Poids (sans équipement de coupe), lb/kg	11,0/5,0

---

## Accessoires

---

### Accessoires

Accessoires homologués	Type	Protection de l'outil de coupe
Arbre fileté	M10L	
Tête de coupe	T35, Ø 2,4 mm	588 54 37-01







[www.husqvarna.com](http://www.husqvarna.com)

Original instructions  
Instrucciones originales  
Instructions d'origine

595960401



2018-10-23