



Operator's manual
HUSQVARNA AUTOMOWER® 105



Read the operator's manual carefully and make sure that you understand the instructions before you use the product.

EN, English

Contents

1 Introduction

1.1 Introduction.....	3
1.2 Support.....	3
1.3 Product description.....	3
1.4 Product overview	4
1.5 Symbols on the product.....	5

2 Safety

2.1 Safety definitions.....	6
2.2 General safety instructions.....	6
2.3 Safety instructions for operation.....	6

3 Installation

3.1 Presentation.....	9
3.2 Preparations.....	9
3.3 Charging station.....	10
3.4 Charging the battery.....	12
3.5 Boundary wire.....	12
3.6 Connecting the boundary wire.....	17
3.7 Installation of the guide wire.....	17
3.8 Checking the installation.....	19
3.9 First start-up and calibration.....	19
3.10 Test docking with the charging station.....	19
3.11 Control panel.....	20
3.12 Menu structure.....	20
3.13 Timer.....	21
3.14 Installation.....	22
3.15 Security.....	24
3.16 Settings.....	24
3.17 Menu structure overview.....	26
3.18 Yard layout examples.....	27

4 Operation

4.1 Main switch.....	30
4.2 Start.....	30
4.3 Operation selection.....	30
4.4 Stop.....	31
4.5 Switch off.....	31
4.6 Timer and Standby.....	31
4.7 Charge a flat battery.....	32
4.8 Adjust the cutting height.....	32

5 Maintenance

5.1 Introduction - maintenance.....	33
5.2 Clean the robotic lawnmower.....	33
5.3 Replace the blades.....	33
5.4 Battery.....	34
5.5 Winter service.....	34

6 Troubleshooting

6.1 Introduction - troubleshooting.....	35
---	----

6.2 Messages.....	35
6.3 Indicator lamp in the charging station.....	38
6.4 Symptoms.....	39
6.5 Find breaks in the loop wire.....	40

7 Transportation, storage and disposal

7.1 Transportation.....	43
7.2 Storage.....	43
7.3 Disposal.....	43

8 Technical data

8.1 Technical data.....	44
-------------------------	----

9 Warranty

9.1 Guarantee terms.....	46
--------------------------	----

10 EC Declaration of Conformity

10.1 EC Declaration of Conformity.....	47
--	----

1 Introduction

1.1 Introduction

Serial number:

PIN code:

The serial number is on the product rating plate and on the product registration key.

- Use the product registration key and the serial number to register your product on www.husqvarna.com.

1.2 Support

For support about the Husqvarna product, speak to your servicing dealer.

1.3 Product description

Note: Husqvarna regularly updates the appearance and function of the products. Refer to *Support on page 3*.

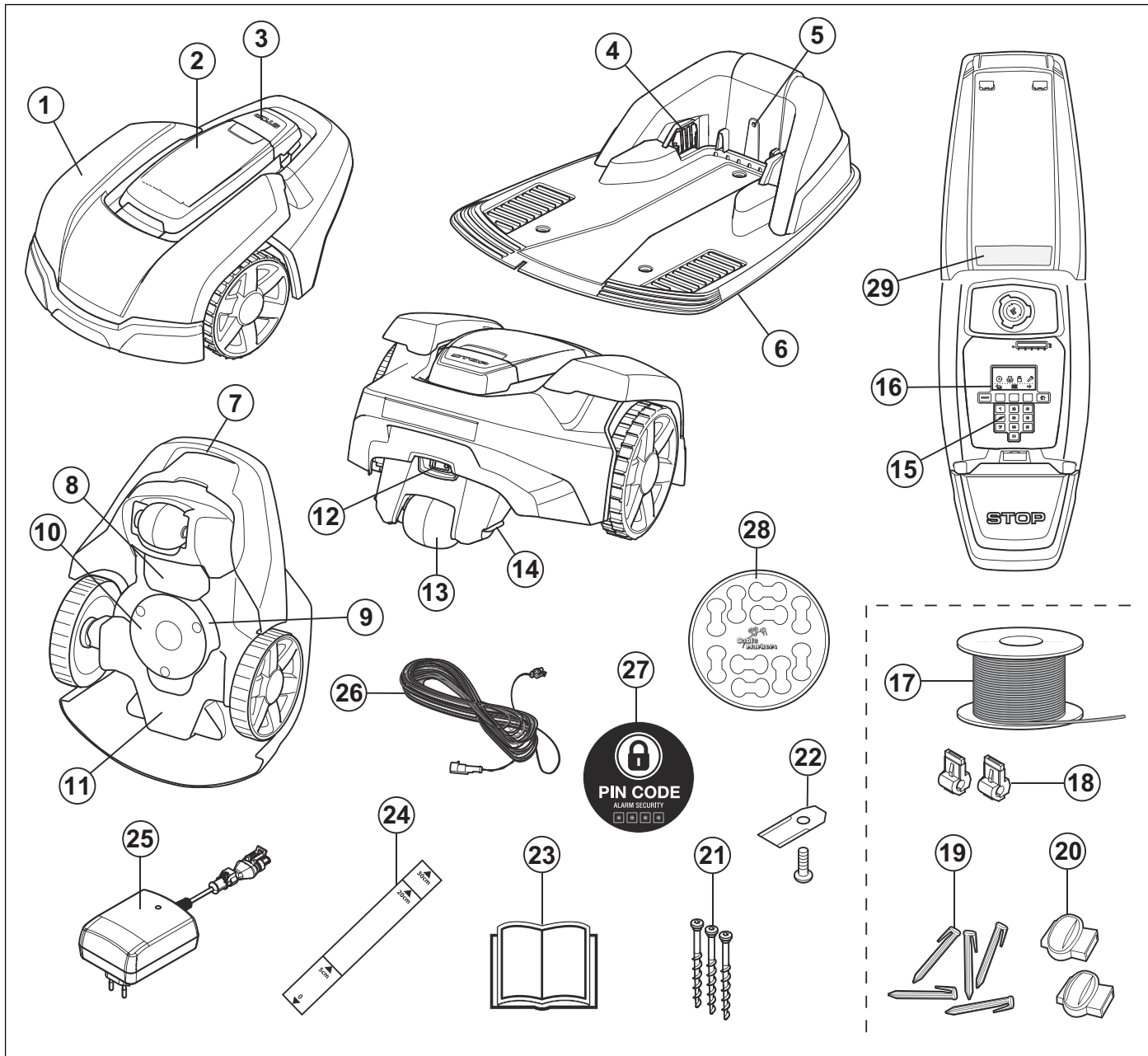
The operator selects the operation settings with the keys on the keypad.

The display shows the selected and possible operation settings, and the operation mode of the product.

The boundary wire and the guide wire controls the movement of the product within the working area.

The product is a robotic lawn mower. The product has a battery power source and cuts the grass automatically. Collection of grass is not necessary.

1.4 Product overview

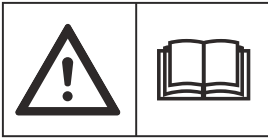


The numbers in the figure represent:

- | | |
|--|--|
| <ul style="list-style-type: none"> 1. Body 2. Hatch to display, keypad and cutting height adjustment 3. Stop button 4. Contact strips 5. LED for operation check of the charging station, boundary wire and guide wire 6. Charging station 7. Carry handle 8. Battery cover 9. Blade disc 10. Skid plate 11. Chassis box with electronics, battery and motors 12. Main switch 13. Rear wheel 14. Charging strip 15. Keypad 16. Display | <ul style="list-style-type: none"> 17. Loop wire for boundary loop and guide wire 18. Connector for connecting the loop wire to the charging station 19. Stakes 20. Coupler for the loop wire 21. Screws for securing the charging station 22. Extra blades 23. Operator's Manual and Quick Guide 24. Measurement gauge for help when installing the boundary wire (the measurement gauge is broken loose from the box) 25. Power supply (the appearance of the power supply may differ depending on market) 26. Low voltage cable 27. Alarm decal 28. Cable markers 29. Rating plate |
|--|--|

1.5 Symbols on the product

These symbols can be found on the robotic lawnmower. Study them carefully.



WARNING: Read the user instructions before operating the robotic lawnmower.



WARNING: Operate the disabling device before working on or lifting the machine.

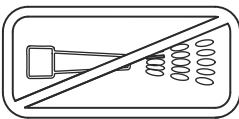
The robotic lawnmower can only start when the main switch is set to 1 and the correct PIN code has been entered. Turn the main switch to 0 before carrying out any inspections and/or maintenance.



WARNING: Keep a safe distance from the machine when operating. Keep your hands and feet away from the rotating blades.



WARNING: Do not ride on the machine. Never put your hands or feet close to or under the machine.



Never use a high-pressure washer or even running water to clean the robotic lawnmower.



This product conforms to the applicable EC Directives.



Noise emission to surroundings. The product's emissions are set out in *Technical data on page 44* and on the rating plate.



It is not permitted to dispose this product as normal household waste. Ensure that the product is recycled in accordance with local legal requirements.



The chassis contains components which are sensitive to electrostatic discharge (ESD). The chassis must also be resealed in a professional manner. For these reasons the chassis shall only be opened by authorized service technicians. A broken seal can result in the entire or parts of the guarantee no longer being valid.



The low voltage cable must not be shortened, extended or spliced.

Do not use a trimmer nearby the low voltage cable. Be careful when trimming edges where the cables are placed.

Operate the disabling device before you use or lift the product.

2 Safety

2.1 Safety definitions

Warnings, cautions and notes are used to point out specially important parts of the manual.



WARNING: Used if there is a risk of injury or death for the operator or bystanders if the instructions in the manual are not obeyed.



CAUTION: Used if there is a risk of damage to the product, other materials or the adjacent area if the instructions in the manual are not obeyed.

Note: Used to give more information that is necessary in a given situation.

2.2 General safety instructions

The following system is used in the Operator's Manual to make it easier to use:

- Text written in *italics* is a text that is shown on the robotic lawnmower's display or is a reference to another section in the Operator's Manual.
- Text written in **bold** is one of the buttons on the robotic lawnmower's keypad.
- Text written in *UPPERCASE* and *italics* refer to the different operating modes available in the robotic lawnmower.

2.2.1 IMPORTANT. READ CAREFULLY BEFORE USE. KEEP FOR FUTURE REFERENCE

The operator is responsible for accidents or hazards occurring to other people or property.

This appliance is not intended for use by persons (including children) with reduced physical, sensory or mental capabilities, or lack of experience and knowledge, unless they have been given supervision or instruction concerning use of the appliance by a person responsible for their safety. Children should be supervised to ensure that they do not play with the appliance.

This appliance can be used by children aged from 8 years and above and persons with reduced physical, sensory or mental capabilities or lack of experience and knowledge if they have been given supervision or instruction concerning use of the appliance in a safe way and understand the hazards involved. Local regulations may restrict the age of the operator. Clearing and maintenance shall not be made by children without supervision.

Never connect the power supply to an outlet if plug or cord is damaged. Worn or damaged cord increase the risk of electric shock.

Only charge the battery in the included charging station. Incorrect use may result in electric shock, overheating or leaking of corrosive liquid from the battery. In the event of leakage of electrolyte flush with water/neutralizing agent, seek medical help if it comes in contact with the eyes.

Use only original batteries recommended by the manufacturer. Product safety cannot be guaranteed with other than original batteries. Do not use non-rechargeable batteries.

The appliance must be disconnected from the supply mains when removing the battery.



WARNING: The robotic lawnmower can be dangerous if used incorrectly.



WARNING: Never use the robotic lawnmower when persons, especially children or pets, are in the cutting area.

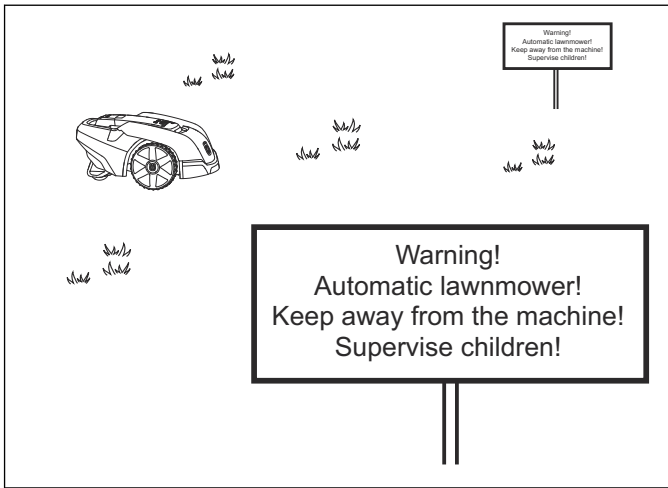


WARNING: Keep your hands and feet away from the rotating blades. Never put your hands or feet close to or under the machine when the motor is running.

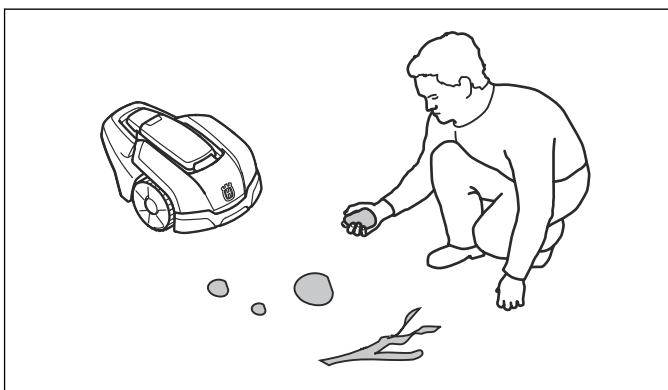
2.3 Safety instructions for operation

2.3.1 Use

- This robotic lawnmower is designed to mow grass in open and level ground areas. It may only be used with the equipment recommended by the manufacturer. All other types of use are incorrect. The manufacturer's instructions with regard to operation/maintenance and repair must be followed precisely.
- Warning signs shall be placed around the working area of the robotic lawnmower if it is used in public areas. The signs shall have the following text:
Warning! Automatic lawnmower! Keep away from the machine! Supervise children!



- Use the **HOME** function or switch off the main switch when persons, especially children or pets, are in the cutting area. It is recommended to program the lawnmower for use during hours when the area is free from activity, e.g. at night. See *Timer on page 21*.
- The robotic lawnmower may only be operated, maintained and repaired by persons that are fully conversant with its special characteristics and safety regulations. Please read the Operator's Manual carefully and make sure you understand the instructions before using the robotic lawnmower.
- It is not permitted to modify the original design of the robotic lawnmower. All modifications are made at your own risk.
- Check that there are no stones, branches, tools, toys or other objects on the lawn that can damage the blades. Objects on the lawn can also lead to the robotic lawnmower getting stuck in them and help may be required to remove the object before the mower can continue mowing. Always set the main switch in position 0 before clearing a blockage.



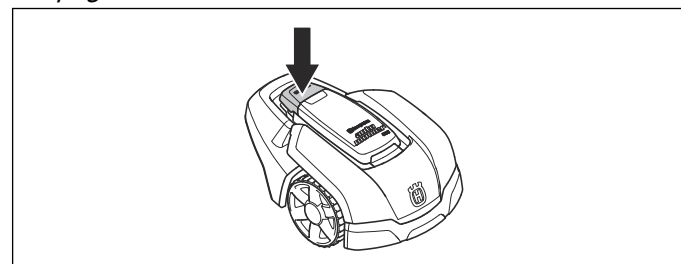
- Start the robotic lawnmower according to the instructions. When the main switch is set to 1; make sure to keep your hands and feet away from the rotating blades. Never put your hands and feet under the robotic lawnmower.
- Never touch moving hazardous parts, such as the blade disc, before it has come to a complete stop.
- Never lift up the robotic lawnmower or carry it around when the main switch is in position 1.
- Do not let persons who do not know how the robotic lawnmower works and behaves use it.

- The robotic lawnmower must never be allowed to collide with persons or other living creatures. If a person or other living creature comes in the lawnmower's way it shall be stopped immediately. See *Stop on page 31*.
- Do not put anything on top of the robotic lawnmower or its charging station.
- Do not allow the robotic lawnmower to be used with a defective guard, blade disc or body. Neither should it be used with defective blades, screws, nuts or cables. Never connect a damaged cable, or touch a damaged cable before it is disconnected from the supply.
- Do not use the robotic lawnmower if the main switch does not work.
- Always switch off the robotic lawnmower using the main switch when the robotic lawnmower is not in use. The robotic lawnmower can only start when the main switch is set to 1 and the correct PIN code has been entered.
- The robotic lawnmower must never be used at the same time as a sprinkler. Use the timer function (see *Timer on page 21*) so the mower and sprinkler never run simultaneously.
- Husqvarna does not guarantee full compatibility between the robotic lawnmower and other types of wireless systems such as remote controls, radio transmitters, hearing loops, underground electric animal fencing or similar.
- The built-in alarm is very loud. Be careful, especially if the robotic lawnmower is handled indoors.
- Metal objects in the ground (for example reinforced concrete or anti-mole nets) can result in a stoppage. The metal objects can cause interference with the loop signal which then can lead to a stoppage.
- The robotic lawnmower must never be used in temperatures below 0 °C or above 50 °C. This might cause damage to the product.

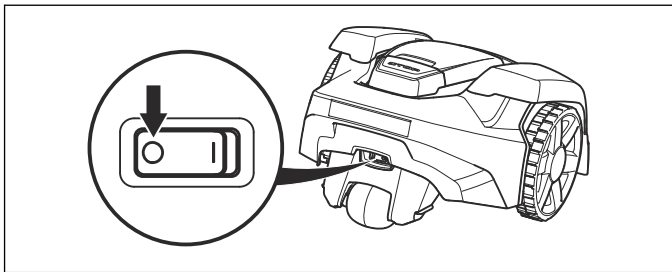
2.3.2 How to lift and move the robotic lawnmower

To safely move from or within the working area:

1. Press the **STOP** button to stop the robotic lawnmower. If security is set to the medium or high level (see *Security on page 24*) the PIN code has to be entered. The PIN code contains four digits and is selected when you start the robotic lawnmower for the first time. See *First start-up and calibration on page 19*.



2. Set the main switch in position 0.



3. Carry the robotic lawnmower by the handle under the robotic lawnmower with the blade disc away from the body.



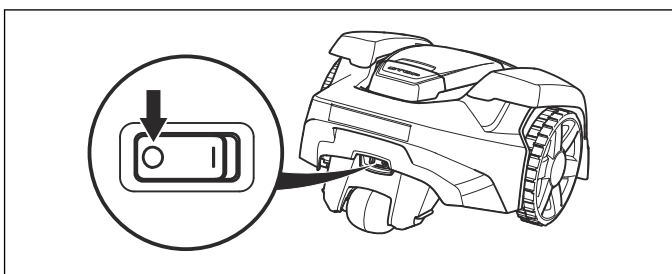
CAUTION: Do not lift the robotic lawnmower when it is parked in the charging station. It can damage the charging station and/or the robotic lawnmower. Press **STOP** and pull the robotic lawnmower out of the charging station before lifting it.

2.3.3 Maintenance



WARNING: When the robotic lawnmower is turned upside down the main switch must always be in the 0 position.

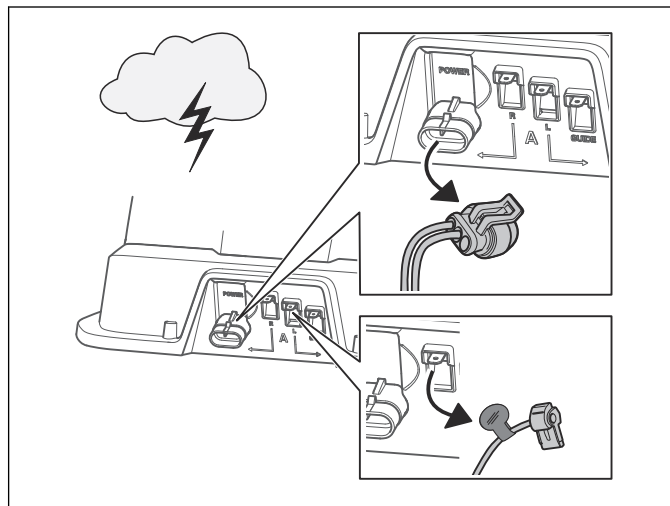
The main switch should be set in the 0 position during all work on the mower's chassis, such as cleaning or replacing the blades.



CAUTION: Never use a high-pressure washer or even running water to clean the robotic lawnmower. Never use solvents for cleaning.

Inspect the robotic lawnmower each week and replace any damaged or worn parts. See *Maintenance on page 33*.

2.3.4 In the event of a thunderstorm



To reduce the risk of damage to electrical components in the robotic lawnmower and its charging station, we recommend that all connections to the charging station are disconnected (power supply, boundary wire and guide wires) if there is a risk of a thunderstorm.

1. Make sure the wires are marked with the supplied markers to simplify reconnecting. The charging station's connections are marked R, L and GUIDE.
2. Disconnect all connected wires and the power supply.
3. Connect all the wires and the power supply if there is no longer a risk of thunder. It is important that each wire is connected to the right place.

3 Installation

3.1 Presentation

This chapter contains information that is important to be aware of when planning the installation.

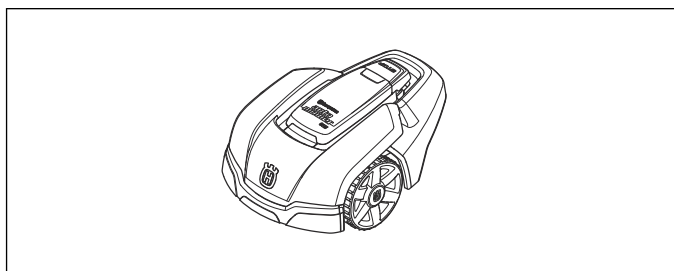
Before starting the installation make yourself familiar with what is included in the carton.

Automower 105	
Robotic lawnmower	✓
Charging station	✓
Power supply	✓
Low voltage cable	✓
Charging station screws	3 pcs
Allen key	✓
Measurement gauge	✓
Cable markers	✓
Operator's manual and Quick guide	✓
Extra blades	3 pcs
Alarm decal	✓

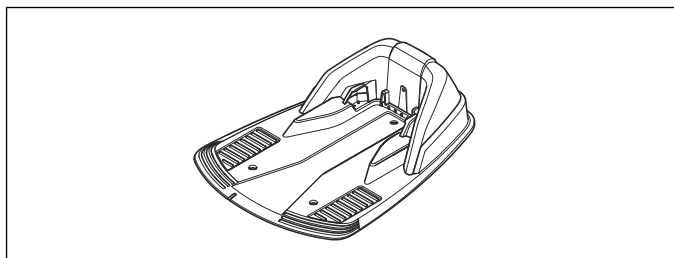
3.1.1 Main components for installation

The installation of the robotic lawnmower involves 4 main components:

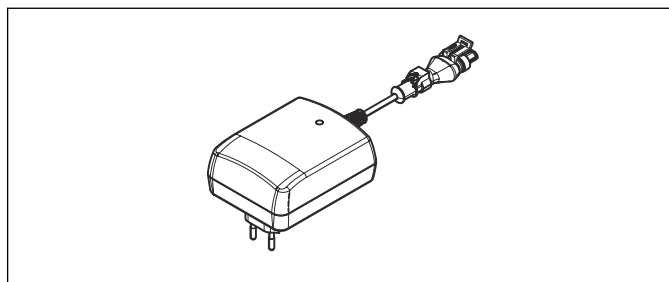
1. A robotic lawnmower that mows the lawn by essentially operating in a random pattern.



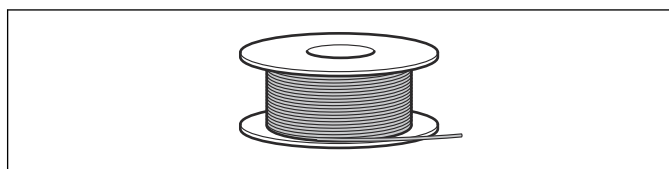
2. A charging station, to where the robotic lawnmower returns when the battery level becomes too low.



3. A power supply, which is connected to the charging station and a 100-240V wall socket. The power supply is connected to the wall socket and to the charging station using a 10 m / 33 ft. long low voltage cable. Low voltage cables with 3 m / 10 ft. and 20 m / 66 ft. length are available as optional accessories. No parts of the power supply must be changed or tampered with. For example, the low voltage cable must not be shortened or extended.



4. Loop wire, which is laid around the edges of the lawn and around objects and plants that the robotic lawnmower must not run into. The loop wire is used both as a boundary wire and a guide wire. The maximum permitted length for the boundary loop is 400 m / 440 yd.



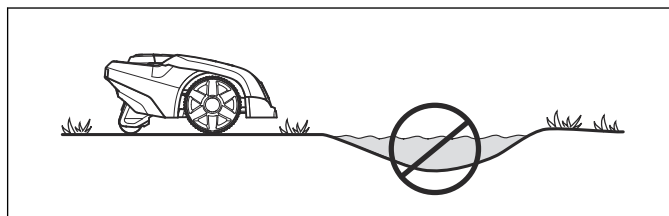
3.2 Preparations

Read through this entire chapter before beginning the installation. How the installation is done affects how well the robotic lawnmower works. It is therefore important to plan the installation carefully.

Planning is simplified if you make a sketch of the working area, including all obstacles. This makes it easier to see the ideal positions for the charging station, the boundary wire and the guide wire. Draw on the sketch where the boundary and guide wires should be routed.

Visit www.husqvarna.com for further descriptions and tips regarding installation.

1. If the lawn in the working area is longer than 10 cm / 4 in. mow it using a standard lawnmower. Collect the grass.
2. Fill in holes and hollows to stop rainwater from forming pools of water. The product may be damaged if it operates in pools of water. See *Guarantee terms on page 46*.



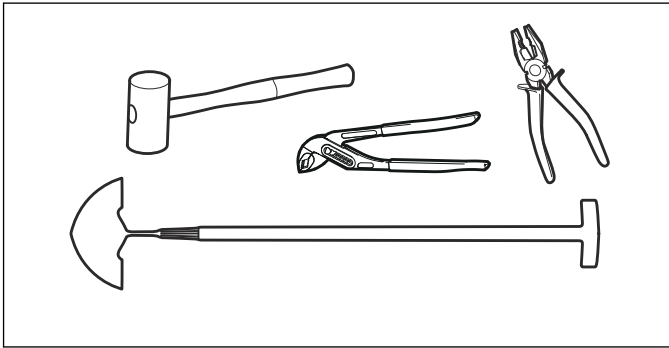
3. Read carefully through all the steps before the installation.
4. Check that all parts for the installation are included. See *Product overview on page 4*.
 - Robotic lawnmower
 - Charging station
 - Power supply
 - Low voltage cable

- Screws for the charging station
- Measurement gauge

3.2.1 Installation tools

During installation you will also need:

- Hammer/plastic mallet (to simplify putting the stakes in the ground).
- Combination pliers for cutting the boundary wire and pressing the connectors together.
- Multigrip pliers (for pressing the couplers together).
- Edge cutter/straight spade if the boundary wire is to be buried.



3.3 Charging station

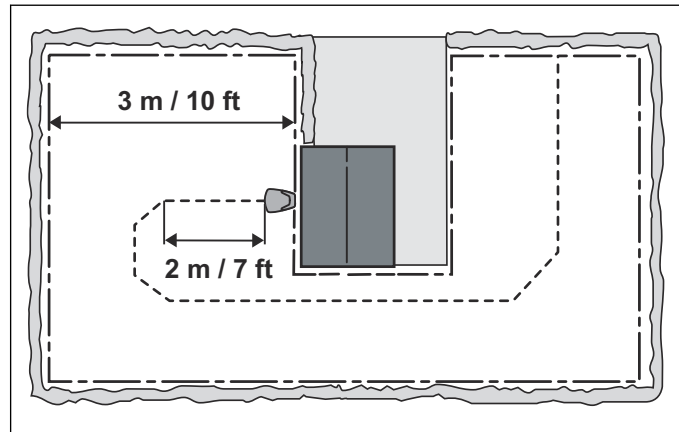
The charging station has 3 functions:

- To send control signals along the boundary wire.
- To send control signals in the guide wire so that the robotic lawnmower can find the charging station.
- To charge the robotic lawnmower battery.

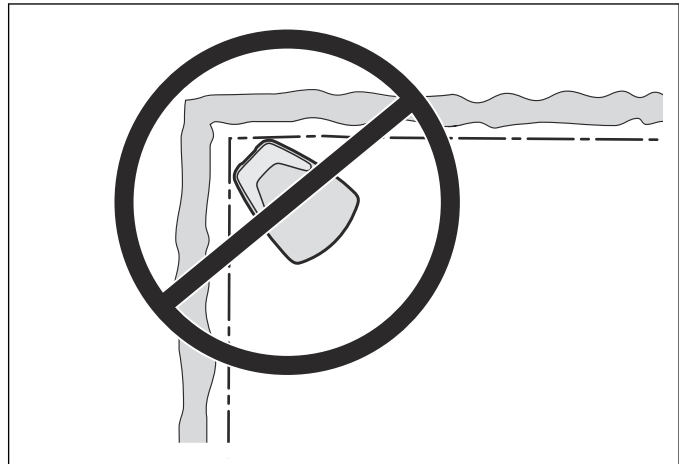
3.3.1 Best charging station location

Consider the following recommendations when identifying the best location for the charging station:

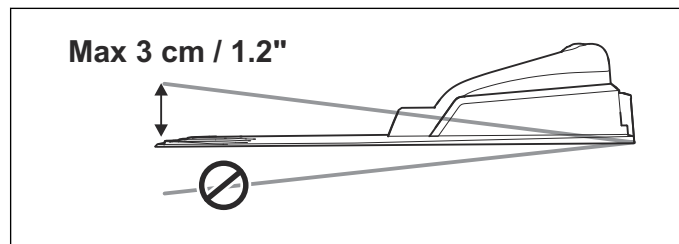
- Allow minimum 3 m / 10 ft. of free space in front of the charging station.
- Lay minimum 1.5 m / 5 ft. of boundary wire straight out to the right and left of the charging station.
- Place the charging station close to a wall socket.
- The supplied low voltage cable is 10 m / 33 ft. long.
- Place the charging station on a level surface free from sharp objects.
- Protect the charging station from water spray, for instance from irrigation.
- Protect the charging station from direct sunlight. The charging process is affected by the ambient temperature.
- Place the charging station in the lower part of a working area that has a major slope.
- Consider if the charging station should be placed out of sight for outsiders.



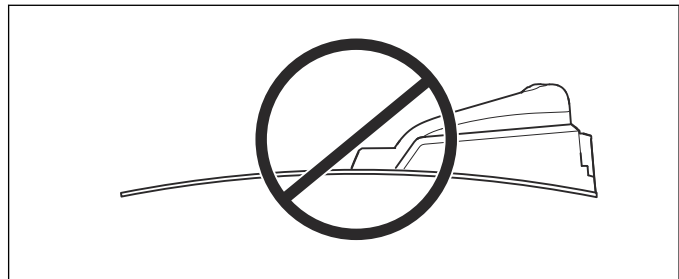
Avoid putting the charging station in confined spaces or in a corner. This can make it difficult for the robotic mower to find the charging station.



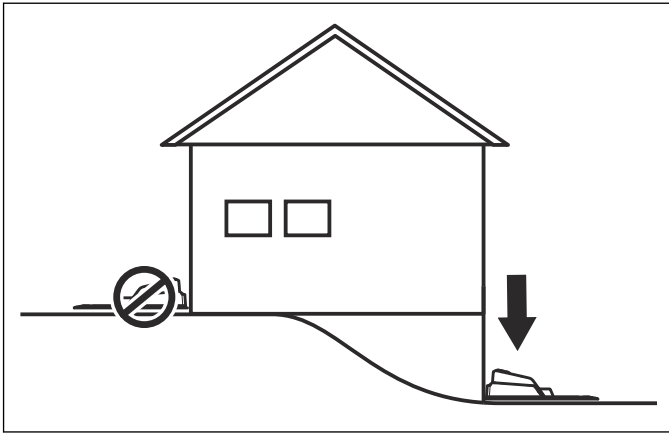
The charging station must be positioned on level ground. The front end of the charging station cannot be positioned higher or lower than the back end according to picture below.



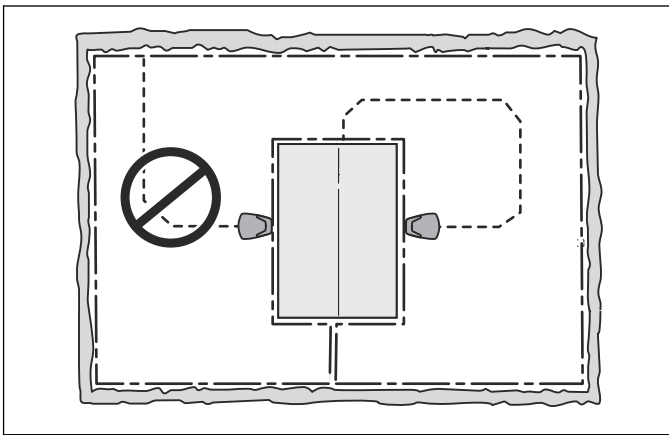
The charging station must not be positioned in a way that can bend its base plate.



If the installation is done in a working area with a steep slope, the charging station should be placed at the bottom of the slope. This makes it easier for the robotic lawnmower to follow the guide wire to the charging station.



The charging station should not be placed on an island as this limits the laying of the guide wire in an optimal way. However, if the charging station has to be installed on an island, the guide wire also has to be connected to the island. Read more about islands in the *Boundaries within the working area* on page 14.



3.3.2 Connecting the power supply

Consider the following when planning where to place the power supply:

- Close to the charging station
- Protection from rain
- Protection from direct sunlight

The power supply must be placed where it is well ventilated and must be placed under a roof. If the power supply is connected to an electrical socket outdoors, this must be approved for outdoor use. It is recommended to use an earth fault-breaker (RCD) when connecting the power supply to the wall socket.



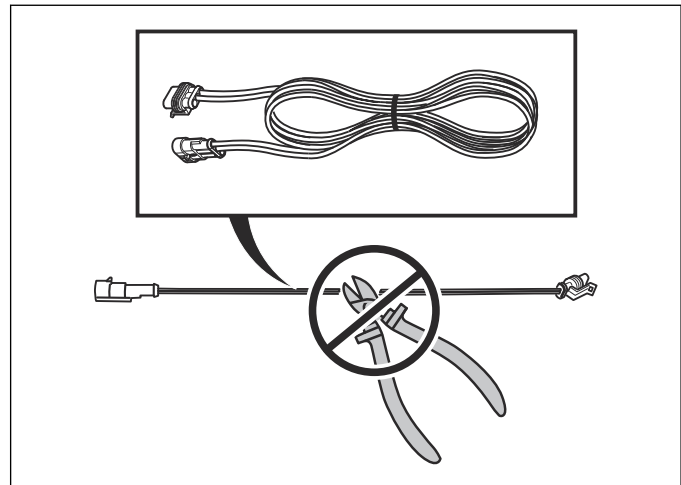
WARNING: The robotic lawnmower is only to be used with the power supply unit supplied by Husqvarna.



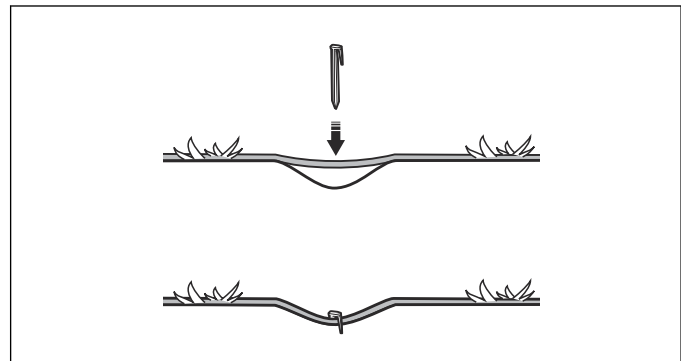
WARNING: Applicable to USA/Canada. If power supply is installed outdoors: Risk of electric shock. Install only to a covered Class A GFCI receptacle (RCD) that has an enclosure that is weatherproof with the attachment plug cap inserted or removed.

No parts of the power supply must be changed or tampered with. For example the low voltage cable must

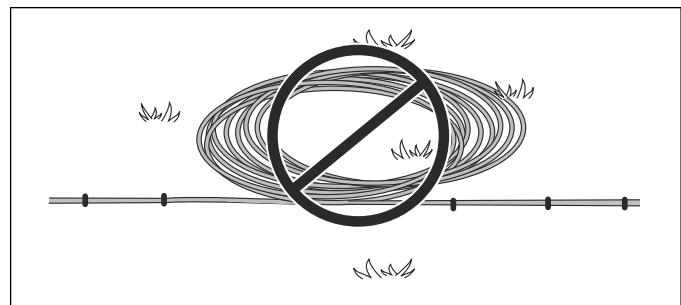
not be shortened or extended. Low voltage cables with 3 m / 10 ft. or 20 m / 65 ft. length are available as optional accessories.



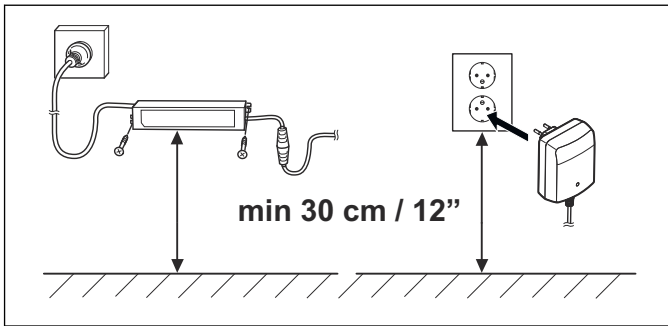
It is possible to let the low voltage cable cross the working area if it is stapled down or buried. The cutting height should be such that the blades can never come in contact with the low voltage cable.



The low voltage cable must never be stored in a coil or under the charging station's base plate as this can interfere with the signals from the charging station.



WARNING: Do not under any circumstances mount the power supply at a height where there is a risk it can be submerged in water (minimum 30 cm / 12 in. from the ground). It is not permitted to place the power supply on the ground.



The appearance of the power supply may differ depending on the market.



WARNING: No parts of the power supply must under any circumstances be changed or tampered with. The low voltage cable must not be shortened or extended.



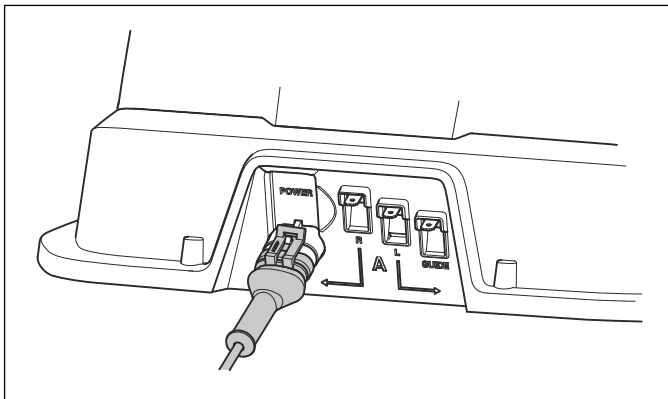
WARNING: Use the plug to disconnect the charging station, for instance before cleaning the charging station or repairing the loop wire.



CAUTION: Place the low voltage cable and adjust the cutting height so that the blades can never come in contact with it.

3.3.3 Installing and connecting the charging station

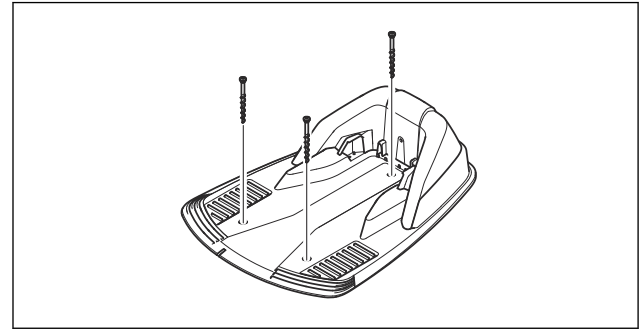
1. Position the charging station in a suitable spot.
2. Connect the low voltage cable to the charging station.



3. Connect the power supply's power cable to a 100-240V wall socket. If the power supply is connected to an electrical socket outdoors, this must be approved for outdoor use. See *Connecting the power supply on page 11*.
4. Attach the charging station to the ground using the supplied screws. Ensure the screws are screwed all the way down in the countersink.

Note: The guide wire must be laid and connected to the charging station before securing the charging station to the ground. See *Installation of the guide*

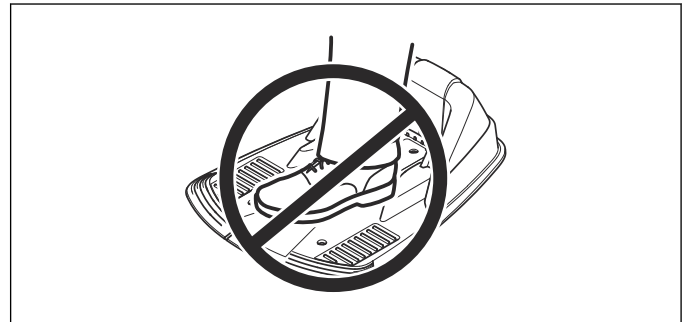
wire on page 17.



CAUTION: It is not permitted to make new holes in the base plate. Only the existing holes may be used to secure it to the ground.



CAUTION: Do not tread or walk on the charging station's base plate.



3.4 Charging the battery

When the charging station is connected, it is possible to charge the robotic lawnmower. Set the main switch to position 1.

Place the robotic lawnmower in the charging station while the boundary and guide wires are being laid.

If the battery is flat, it takes about 80 to 100 minutes to fully charge it.



WARNING: Only charge the robotic lawnmower using a charging station which is intended for it. Incorrect use may result in electric shock, overheating or leakage of corrosive liquid from the battery. In the event of leakage of electrolyte flush with water and seek medical help if it comes in contact with the eyes etc.

Note: The robotic lawnmower cannot be used before the installation is complete.

3.5 Boundary wire

The boundary wire can be installed in the following ways:

- Secure the wire to the ground with stakes.
Staple down the boundary wire if you want to make adjustments to the boundary loop during the first few

weeks of operation. After a few weeks the grass will have grown over the wire making it no longer visible. Use a hammer/plastic mallet and stakes.

- Bury the wire.

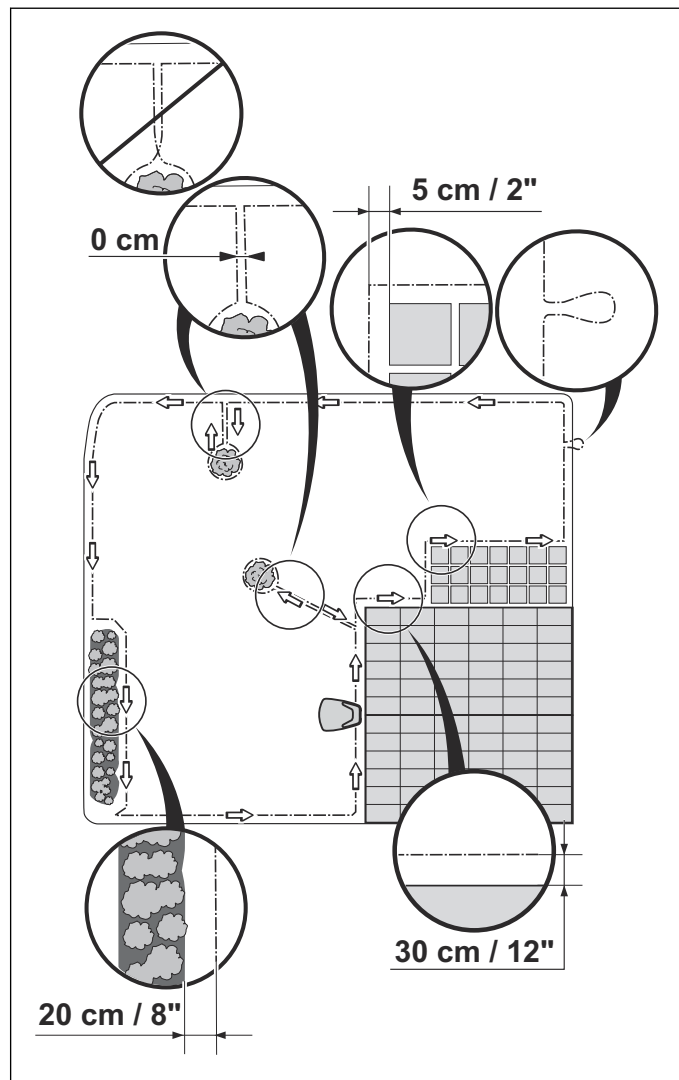
Bury the boundary wire if you want to dethatch or aerate the lawn. If necessary, both methods can be combined so one part of the boundary wire is stapled down and the other is buried. The wire can be buried for instance using an edge cutter or a straight spade. Make sure to lay the boundary wire at least 1 cm / 0.4 in. and a maximum of 20 cm / 8 in. in the ground.

3.5.1 Plan where to lay the boundary wire

The boundary wire must be laid so that:

- The wire forms a loop around the working area. Use original boundary wire. It is specially designed to resist dampness from the soil.
- The robotic lawnmower is never more than 15 m / 50 ft. from the wire at any point in the working area.
- The wire is no more than 400 m / 440 yd. long.
- About 20 cm / 8 in. of extra wire is available to which the guide wire will be connected later. See *Laying the boundary wire on page 16*.

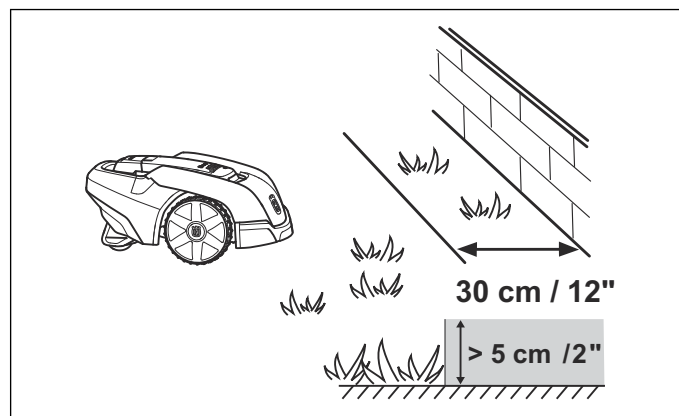
The illustration below shows how the boundary wire must be laid around the working area and around obstacles. Use the supplied measurement gauge to obtain the correct distance. See *Product overview on page 4*.



3.5.2 Working area boundaries

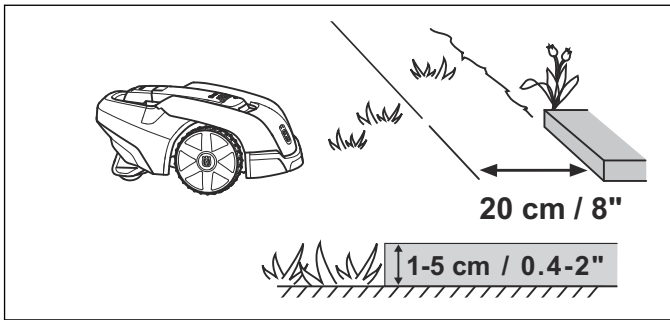
Depending on what the working area is adjacent to, the boundary wire must be laid at different distances from obstacles.

If a high obstacle (5 cm / 2 in. or more), for example a wall or fence, borders the working area, the boundary wire should be laid 30 cm / 12 in. from the obstacle. This will prevent the robotic lawnmower from colliding with the obstacle and reduce body wear. About 20 cm / 8 in. of the lawn around the fixed obstacle will not be mown.

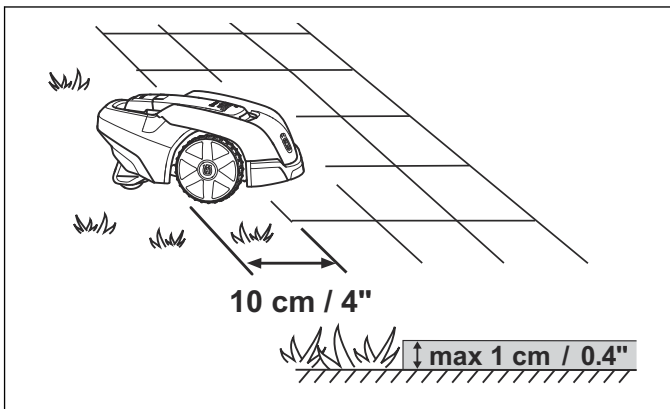


If the working area borders a small ditch, a flower bed or a small elevation, for example a low kerbstone (3-5 cm / 1.2-2 in.), the boundary wire should be laid 20 cm / 8 in. inside the working area. This prevents the wheels from driving into the ditch or up onto the kerbstone, which

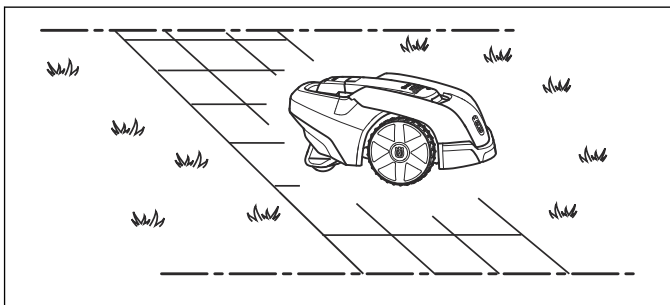
might lead to excessive wear on the robotic lawnmower. About 12 cm / 5 in. of the lawn along the ditch/kerbstone will not be mown.



If the working area borders on a paving stone path or similar that is level with the lawn (+/- 1 cm / 0.4 in.), it is possible to allow the robotic lawnmower to run a little over the path. The boundary wire should then be laid 5 cm / 2 in. from the edge of the path. All the grass along the side of the paving stone path will be cut.



When the working area is divided by a paving stone path that is level with the lawn, it is possible to allow the robotic lawnmower to run over the path. It can be an advantage to lay the boundary wire under the paving stones. The boundary wire can also be laid in the joint between the paving stones. Ensure that the tiles are in level with the lawn to avoid excessive wear on the robotic lawnmower.

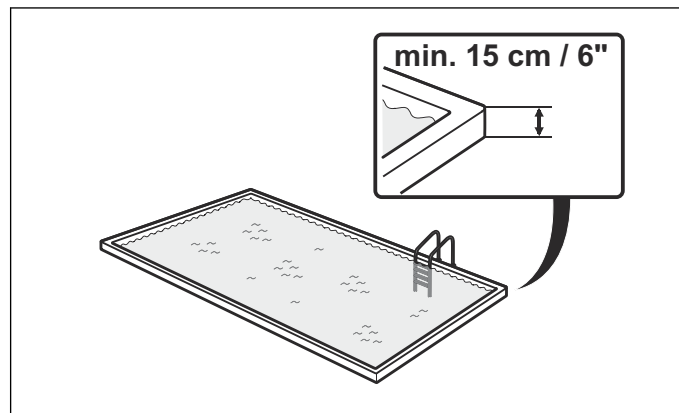


CAUTION: The robotic lawnmower must never run over gravel, mulch or similar material which can damage the blades.



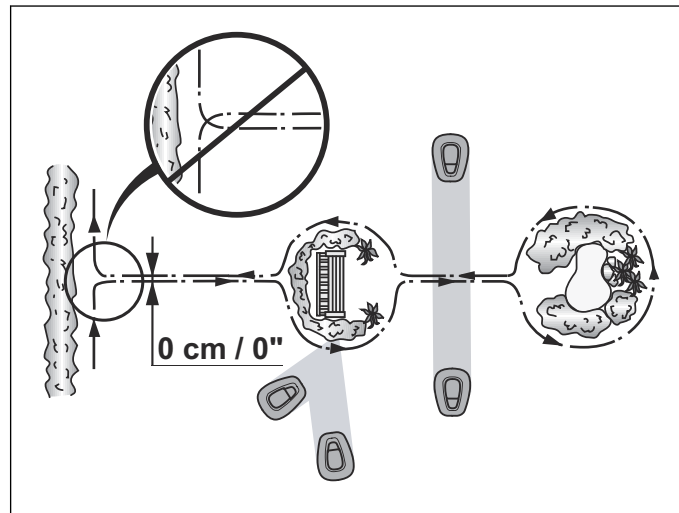
CAUTION: If the working area is adjacent to water bodies, slopes, precipices or a public road, the boundary wire must be supplemented with an edging or the like. It must then be at least 15 cm / 6 in. in height. This will prevent the

robotic lawnmower from ending up outside the working area under any circumstance.



3.5.3 Boundaries within the working area

Use the boundary wire to isolate areas inside the working area by creating islands around obstacles which cannot withstand a collision, for example flowerbeds, bushes and fountains. Lay the wire up to and around the area to be isolated, and then return it back along the same route. If stakes are used, the wire should be laid under the same stakes on the return route. When the boundary wires to and from the island are laid close together, the robotic lawnmower can drive over the wire.

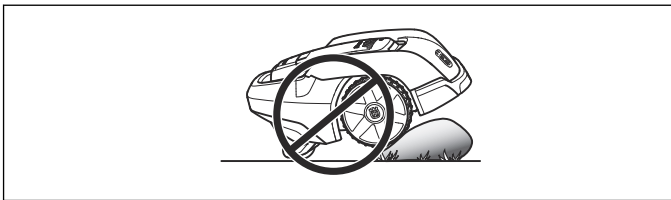


CAUTION: The boundary wire may not be crossed on its way to and from an island.

Obstacles that can withstand a collision, for example, trees or bushes taller than 15 cm / 6 in., do not need to be isolated with the boundary wire. The robotic lawnmower will turn around when it collides with this type of obstacle.

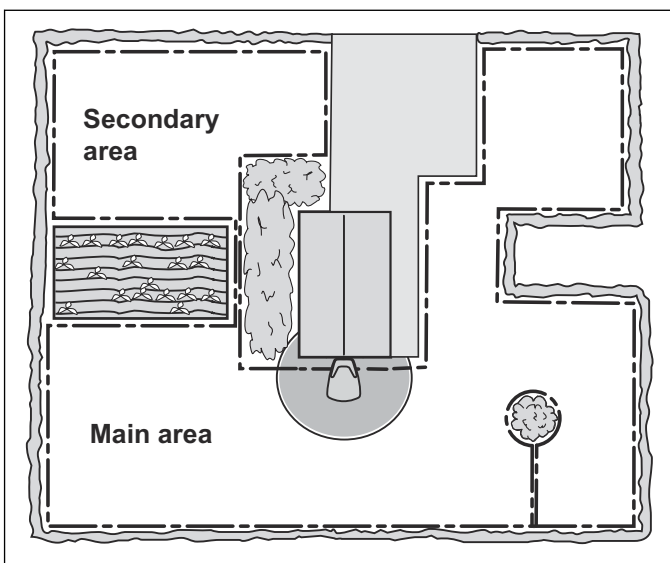
However, to achieve careful and silent operation, it is recommended to isolate all fixed objects in and around the working area.

Obstacles that slope slightly, for example stones or large trees with raised roots, must be isolated or removed. Otherwise the robotic lawnmower can slide up onto this kind of obstacle causing the blades to be damaged.



3.5.3.1 Secondary areas

If the working area consists of two areas which the robotic lawnmower has difficulty travelling between, it is recommended to set up a secondary area. Instances of this are 25% slopes or a passage that is narrower than 60 cm / 24 in. Lay the boundary wire then around the secondary area so that it forms an island outside of the main area. The robotic lawnmower must be moved manually between the main and secondary area when the lawn in the secondary area has to be cut.



The *MAN* operating mode must be used as the robotic lawnmower cannot travel on its own from the secondary area to the charging station. See *Operation selection on page 30*. In this mode, the robotic lawnmower will never look for the charging station but will mow until the battery runs out. When the battery is flat, the robotic lawnmower will stop and the *Needs manual charging* message will appear in the display. Place the robotic lawnmower in the charging station to charge the battery. If the main area has to be cut straight after charging, the **START** button must be pressed and the *AUTO* operating mode selected before closing the hatch.

3.5.3.2 Passages when mowing

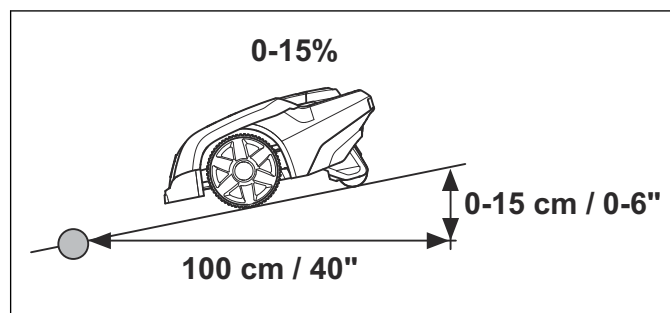
Long and narrow passages and areas narrower than 1.5 - 2 m / 3.2 - 6.5 ft. should be avoided. It is then a risk that the robotic lawnmower travels around in the passage or area for a period of time. The lawn will then look flattened. The narrowest possible passage for the robotic lawnmower is 60 cm / 24 in (between boundary wires).

Note: In passages narrower than 2 m / 6.5 ft. (between boundary wires) Husqvarna recommends that a guide wire is installed.

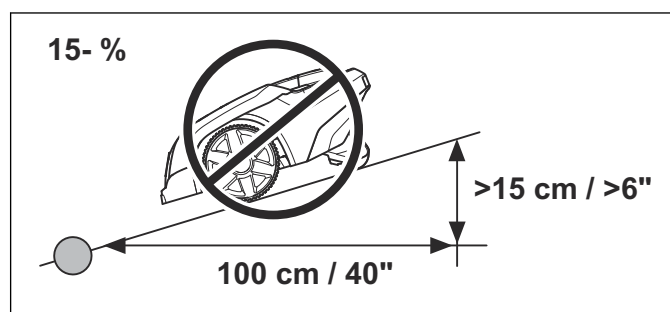
3.5.3.3 Slopes

The robotic lawnmower can operate in slopes. The maximum gradient is defined as percentage units (%) and is calculated as difference in elevation in centimetres for every meter. Inside the working area the robotic lawnmower can mow areas which slope up to 25%. Areas that slope more must be isolated with the boundary wire.

The boundary wire can be laid across a slope that slants less than 15%.

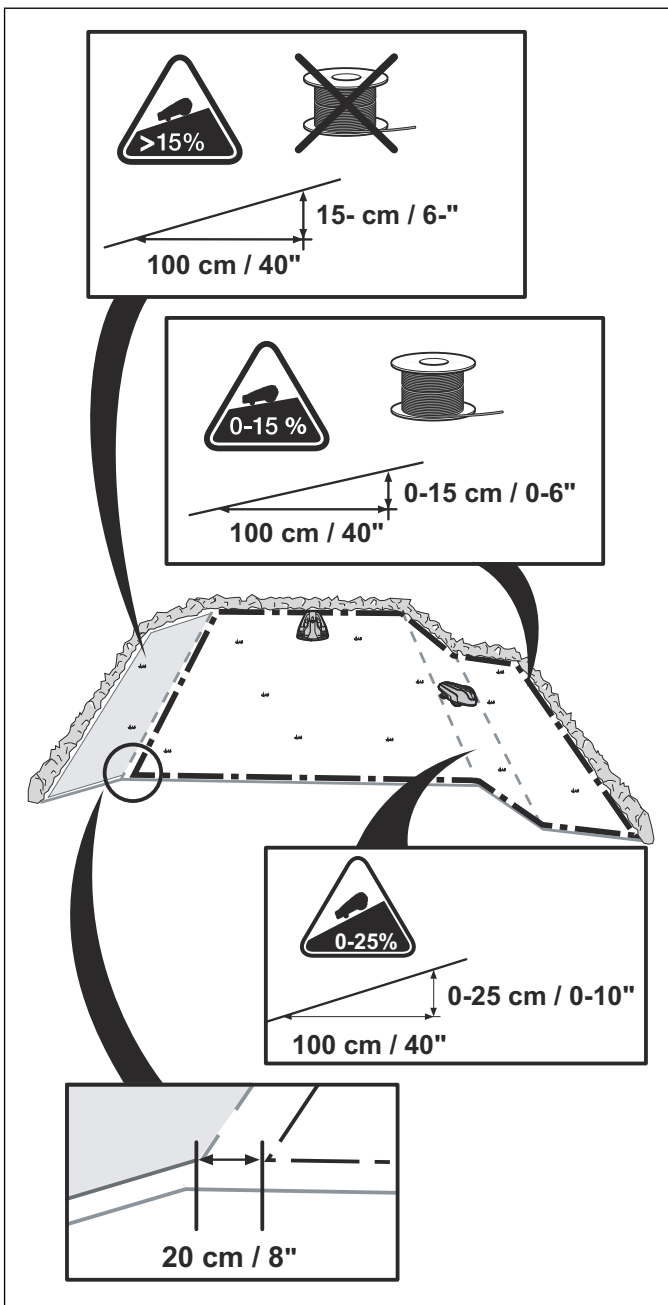


The boundary wire should not be laid across a slope that is steeper than 15%. There is a risk that the robotic lawnmower will find it difficult to turn there. The robotic lawnmower will then stop and the *Outside working area* fault message is displayed. The risk is at its greatest in damp weather conditions, as the wheels can slip on the wet grass.



However, the boundary wire can be laid across a slope steeper than 15% if there is an obstacle that the robotic lawnmower is allowed to collide with, for example, a fence or a dense hedge.

When a part of the working area's outer edge slopes more than 15%, the boundary wire must be laid about 20 cm / 8 in. in on the flat ground before the beginning of the slope.



3.5.4 Laying the boundary wire

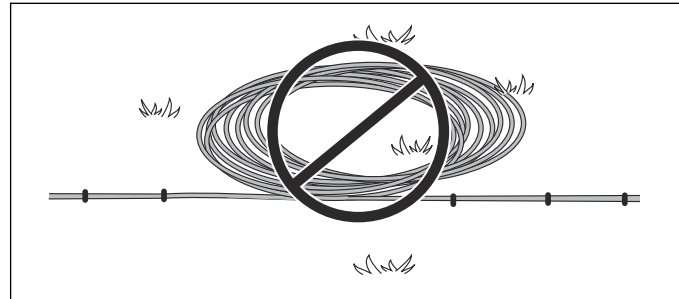
If you intend to staple down the boundary wire:

- Cut the grass very low with a standard lawnmower or a trimmer where the wire is to be laid. It will then be easier to lay the wire close to the ground and the risk of the robotic lawnmower cutting the wire or damaging the insulation of the wire is reduced.
- The boundary wire must lie close to the ground so as not to be cut before the grass roots have grown over it. Mowing the grass too low right after the installation can damage the wire insulation. Damage to the insulation may not cause disruptions until several weeks or months later. To avoid this, always select the maximum cutting height the first weeks after installation and then lower the height one step at a time every second week until the desired cutting height has been reached.
- Use a hammer to knock the stakes into the ground. Exercise care when knocking the stakes and make sure the wire is not under strain.

If the boundary wire is to be buried:

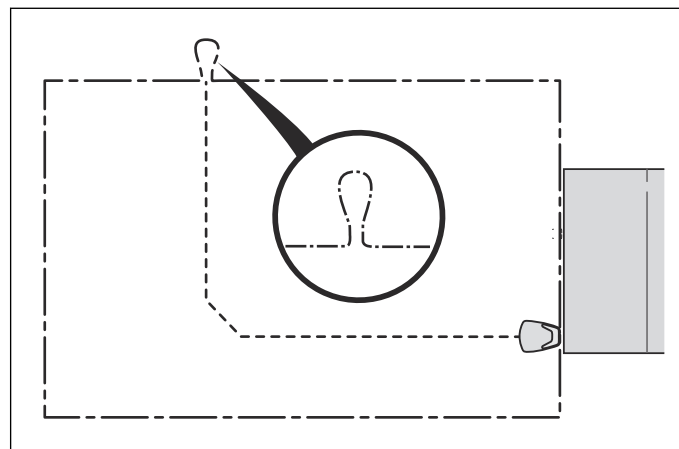
- Make sure to lay the boundary wire at a minimum of 1 cm / 0.4 in. and a maximum of 20 cm / 8 in. in the ground. The wire can be buried for instance using an edge cutter or a straight spade.

Note: Extra wire must not be placed in coils outside the boundary wire. This can disrupt the robotic lawnmower.



3.5.4.1 Eyelet for connecting the guide wire

To facilitate the connection of the guide wire to the boundary wire, it is recommended to create an eyelet with about 20 cm / 8 in. of extra boundary wire at the point where the guide wire will later be connected. It is a good idea to plan where the guide wire will be placed before laying out the boundary wire. See *Installation of the guide wire on page 17*.



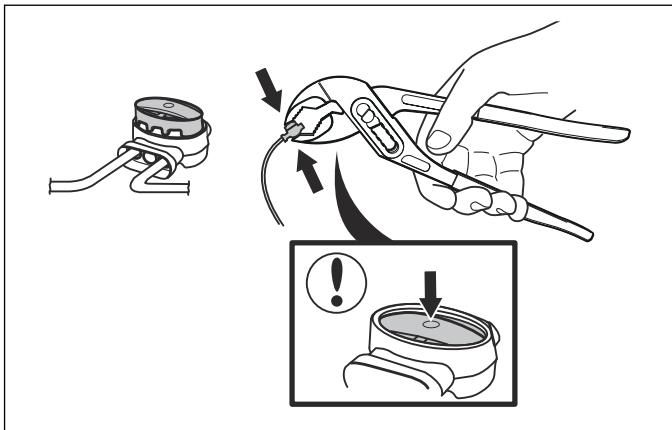
3.5.4.2 Splicing the boundary wire



CAUTION: Twinned cables, or a screw terminal block that is insulated with insulation tape are not satisfactory splices. Soil moisture will cause the wire to oxidise and after a time result in a broken circuit.

Use an original coupler if the boundary wire is not long enough and needs to be spliced. It is waterproof and gives a reliable electrical connection.

Insert both wire ends in the coupler. Check that the wires are fully inserted into the coupler so that the ends are visible through the transparent area on the other side of the coupler. Now press down the button on top of the coupler fully. Use a multigrip pliers to completely press down the button on the coupler.



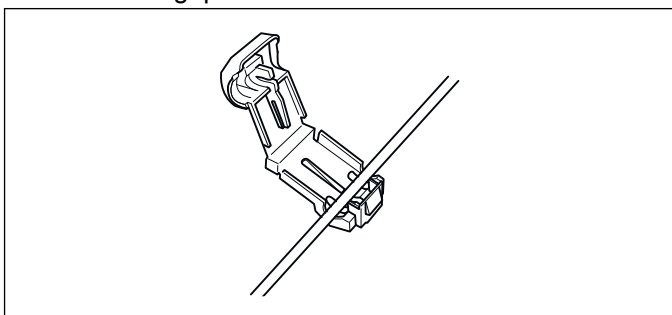
3.6 Connecting the boundary wire



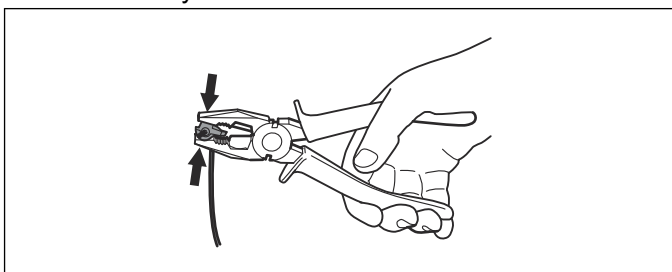
CAUTION: The boundary wire must not be crossed when connecting it to the charging station. The right hand wire end must be connected to the right hand pin on the charging station and the left hand wire end to the left pin.

Connect the boundary wire to the charging station:

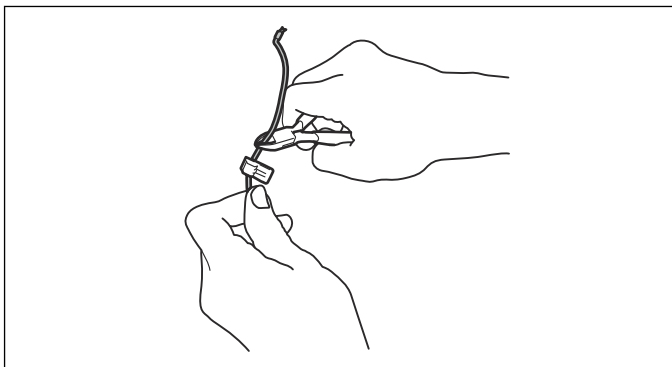
1. Open the connector and place the wire in the connector grip.



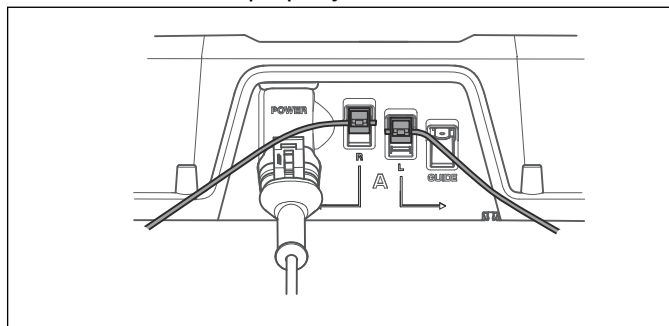
2. Press the connectors together using a pair of pliers. Press until you hear a click.



3. Cut off any excess boundary wire 1 or 2 centimetres / 0.4 or 0.8 inches above each connector.



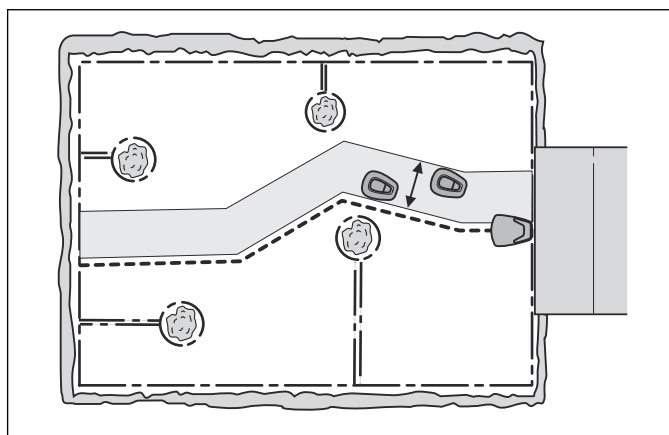
4. Press the connector onto the metal pin, Press the connector onto the contact pin, marked L (left) and R (right), on the charging station. Carefully check that the connector is properly fitted.



3.7 Installation of the guide wire

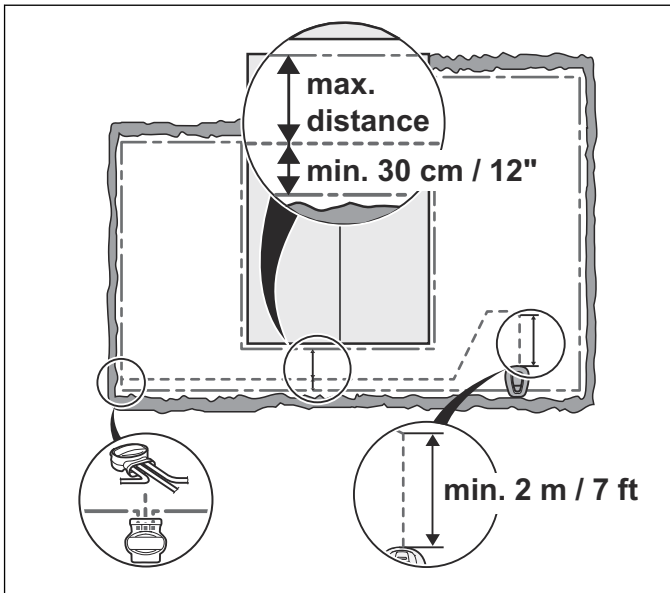
The guide wire is used by the robotic lawnmower to find its way back to the charging station but also to guide the robotic lawnmower to remote areas of the garden.

The same cable roll is used for both the boundary and guide wires. The guide wire, as the boundary wire, can be stapled to or buried in the ground.



The robotic lawnmower runs at varying distances from the guide wire to reduce the risk of tracks forming. The area beside the wire which the robotic lawnmower then uses is called the Corridor. The wider the corridor allowed by the installation, the less the risk of tracks forming.

The robotic lawnmower always runs to the left of the guide wire as seen facing the charging station. Thus the corridor is to the left of the guide wire. When installing, it is therefore important to create as much free space as possible to the left of the guide wire, as seen facing the charging station.



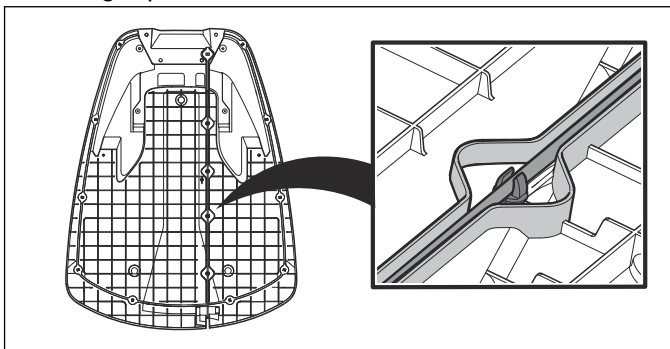
The guide wire, as the boundary wire, can be stapled to or buried in the ground.



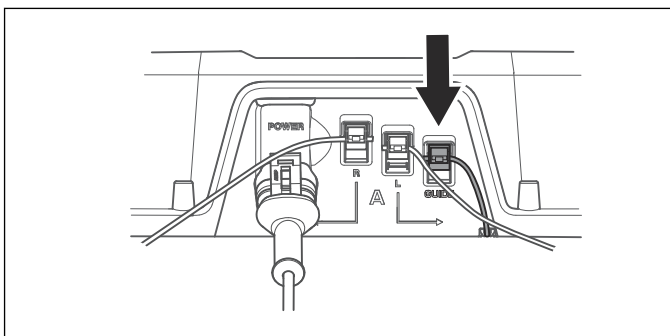
CAUTION: Make as much space as possible to the left of the guide wire (as seen facing the charging station). Also, it is not allowed to lay the guide wire closer than 30 cm / 12 in. to the boundary wire.

3.7.1 Laying and connecting the guide wire

1. Run the wire through the slot in the bottom of the charger plate.

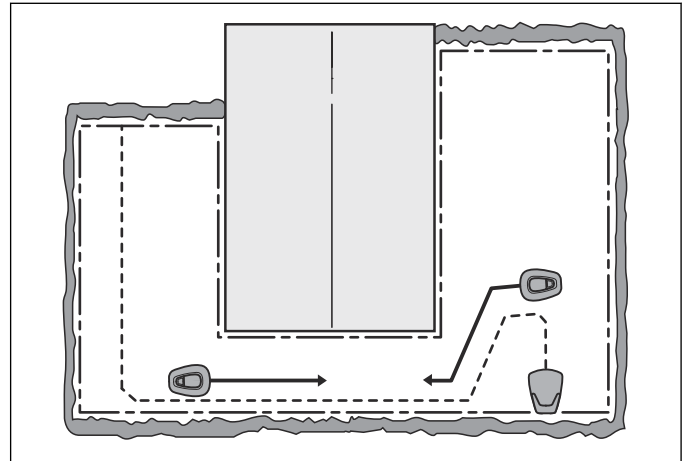


2. Fit the connector to the guide wire in the same way as for the boundary wire described in *Connecting the boundary wire on page 17*. Connect it to the contact pin on the charging station that is labelled **GUIDE**.

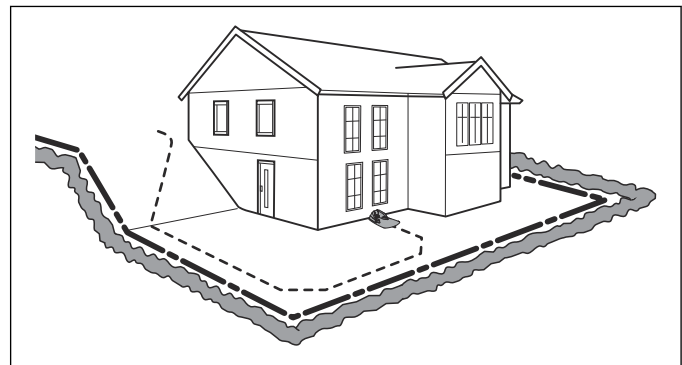


3. Run the guide wire at least 2 m / 6.6 ft straight out from the front edge of the plate.
If the guide wire must be laid in a passage:

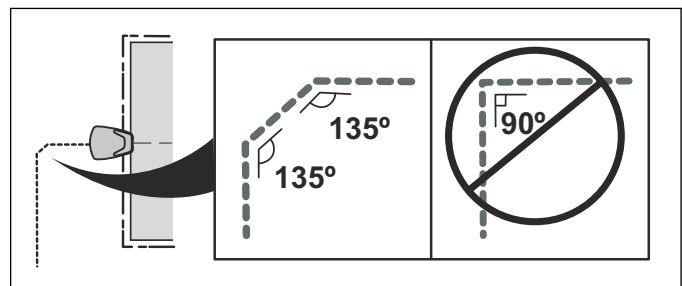
- The robotic lawnmower follows the guide wire on the same side of the wire to and from the charging station. This means that the guide wire is to the right of the robotic lawnmower when the mower travels to the charging station while it is to the left of the mower when the mower travels away from the charging station.



- If the guide wire has to be installed on a steep slope, it is an advantage to lay the wire at an angle to the slope. This makes it easier for the robotic lawnmower to follow the guide wire on the slope.

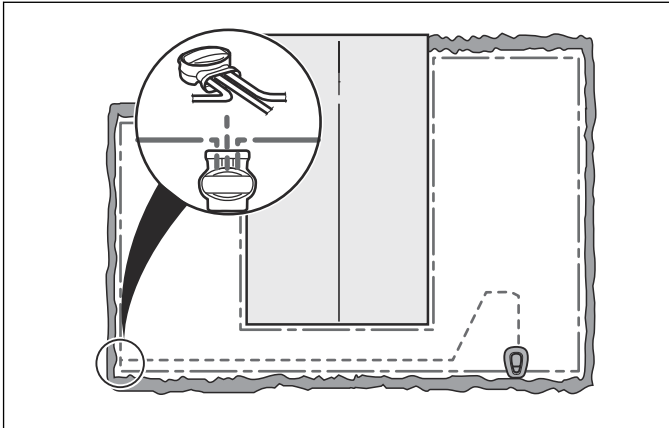


- Avoid laying the wire at sharp angles. This can make it difficult for the robotic lawnmower to follow the guide wire.

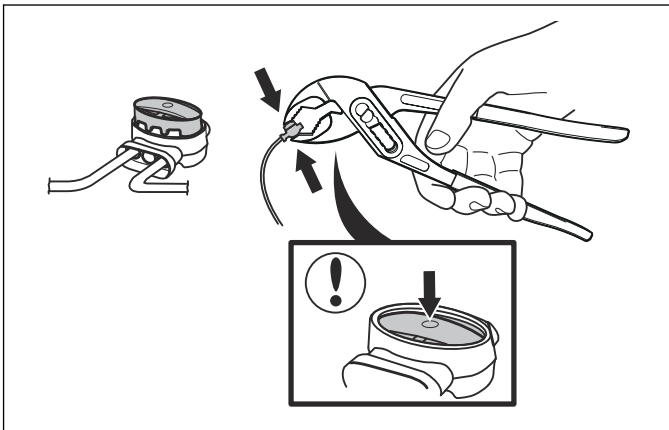


4. Run the guide wire up to the point on the boundary wire where a loop to facilitate the connection of the guide wire was previously added.
5. Cut the loop on the boundary wire using for instance a pair of wire cutters.
6. Connect the guide wire to the boundary wire using a coupler:
 - Insert the boundary wire in each of the holes in the coupler. It does not matter which holes are

used to connect each boundary wire. Insert the guide wire in the centre hole in the coupler. Check that the wires are fully inserted into the coupler so that the ends are visible through the transparent area on the other side of the coupler.



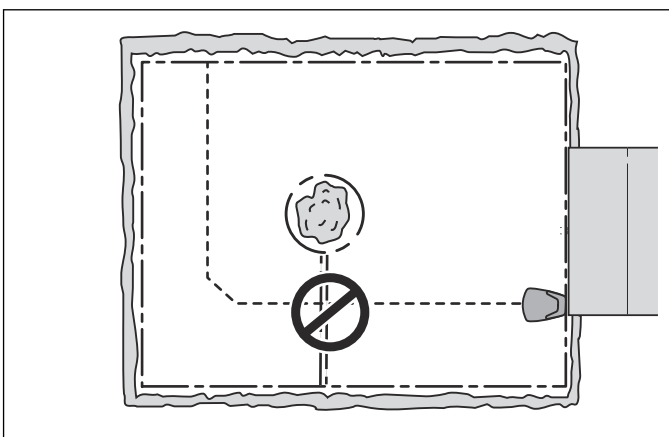
- Use a polygrip to completely press down the button on the coupler.



7. Staple down/bury the connector in the lawn.



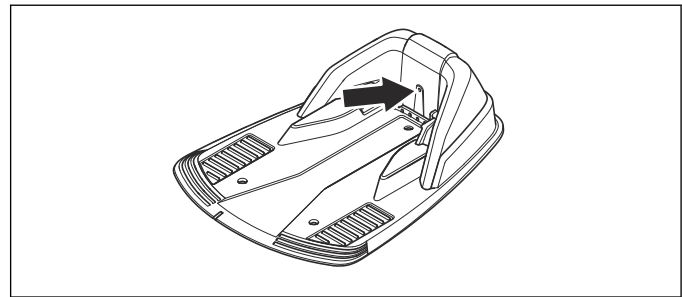
CAUTION: The guide wire may not cross the boundary wire, for instance a boundary wire that is laid out to an island.



CAUTION: Test that the guide wire works before using the robotic lawnmower.

3.8 Checking the installation

Check the loop signal by inspecting the indicator lamp on the charging station.



See *Indicator lamp in the charging station* on page 38 if the lamp does not indicate a solid or flashing green light.

3.9 First start-up and calibration

When the main switch is set to position 1 for the first time, a start-up sequence in the robotic lawnmower's menu must be carried out as well as an automatic calibration of the guide signal.

1. Open the hatch by pressing the **STOP** button.
2. Set the main switch to position 1.

A start-up sequence begins when the robotic lawnmower is started for the first time. The following is requested:

- Language.
- Country
- Date
- Time
- Selection and confirmation of personal PIN code. All combinations except 0000 are permitted.

Note: Use the *MEMO* page at the beginning of the manual to make a note of the PIN code.

3. Place the robotic lawnmower in the charging station and press **START**. The robotic lawnmower will now begin to calibrate the guide wire.

Press **START** and close the hatch. The calibration is performed by the robotic lawnmower backing out of the charging station and running a calibration process in front of the charging station. When this is completed, mowing can begin.

3.10 Test docking with the charging station

Before using the robotic lawnmower, check that the robotic lawnmower can follow the guide wire all the way to the charging station and easily docks with the charging station. Perform the test below.

1. Open the panel hatch by pressing the **STOP** button.
2. Place the robotic lawnmower close to the point where the guide wire is connected to the boundary wire. Place the robotic lawnmower about 2 m / 6.5 ft. from the guide wire, facing the guide wire.
3. Select *HOME* mode by pressing the house symbol key and pressing *OK* when the cursor is at Home. Press **START** and close the hatch.
4. Check that the robotic lawnmower follows the guide wire all the way to the charging station and that it docks with the charging station. The test is approved only if the robotic lawnmower is able to follow the guide wire the entire distance to the charging station

and docks at the first attempt. If the robotic lawnmower is unable to dock on the first attempt, it will automatically try again. The installation is not approved if the robotic lawnmower needs two or more attempts to dock with the charging station. In this case, check that the charging station, the boundary wire and the guide wire are installed in accordance with the instructions.

- The robotic lawnmower will stay in the charging station until *AUTO* or *MAN* mode is selected. See *Operation selection on page 30*.

The guide system must first be calibrated if the above test is to provide a satisfactory result. See *First start-up and calibration on page 19*.

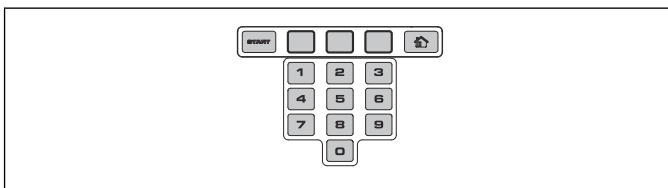
3.11 Control panel

3.11.1 Control panel

All commands and settings for the robotic lawnmower are done on the control panel. The control panel consists of a display and a keypad. All information is shown on the display and all input is done using the buttons.

3.11.2 Keypad

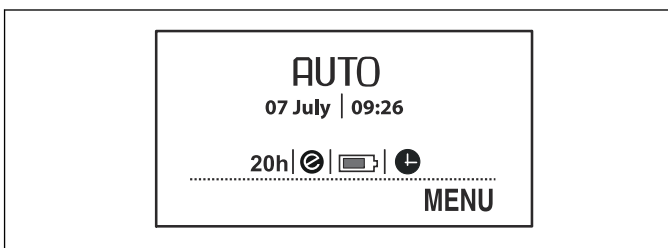
The keypad consists of 4 groups of buttons:



- The **START** button is used to activate the robotic lawnmower. This is normally the last button to be pressed before closing the hatch.
- The 3 **multi-choice** buttons offer various functions, depending on where in the menu structure you are. The button function is shown at the bottom of the display.
- The **number keys** are used for instance to enter the PIN code or time settings.
- The **operation selection** button is symbolised by a house. When the button has been pressed, the selected operation mode is shown in the display.

3.11.3 Display

When the **STOP** button has been pressed and the hatch is opened, the operation window appears showing the time, selected operating mode, number of mowing hours, battery status and timer setting.



- The clock shows the current time.
- Date shows the current day.

- The number of operating hours indicates the number of hours since the day of manufacture that the robotic lawnmower has been in operation. The time that the robotic lawnmower has spent mowing or searching for the charging station is counted as operating time.
- AUTO*, *MAN* or *HOME* show which mode of operation is selected. See *Operation selection on page 30*.
- The battery status shows the remaining battery charge.
- The ECO symbol is displayed if the robotic lawnmower is set in *ECO mode*.
- The clock symbol indicates when the timer settings are set. The clock symbol is black when the robotic lawnmower is not allowed to mow due to a timer setting.
- The *MENU* text illustrates that the main menu can be reached by pressing the multi-choice button that is located under the text.

3.11.4 Submenus

There are a number of submenus under each option. You can access all the functions to set the robotic lawnmower settings via the submenus.

Certain submenus contain options that are ticked off to the left. This means that these options are selected. Check or uncheck the box by pressing *OK*.

3.12 Menu structure

The main menu for the Automower 105 offers 4 options:

- Timer
- Installation
- Security
- Settings



The following section summarises the menu selections found in the main menu and provides more detailed information about how each function is used and which setting options are available.

3.12.1 Main menu



Timer

The timer function is an ideal tool to control which periods the robotic lawnmower should not mow, for example when children are playing in the garden.



Installation

This menu function is used to customize the installation. For many working areas there is no need to alter the factory settings, but depending on the lawn complexity the mowing result can be improved by making manual settings.



Security

In this menu, settings relating to security and the connection between the robotic lawnmower and the charging station can be made. There are 3 security levels to choose from: *Low, Medium, High*.



Settings

This selection allows you to make changes to the general robotic lawnmower settings such as date and time. You can also turn on/off *ECO mode*.

to mow too much, the lawn may appear flattened. Besides, the robotic lawnmower is subjected to unnecessary wear. If the working area is less than the robotic lawnmower's area capacity, the quality of the grass can be further improved if it is cut every other day instead of a few hours every day. In addition, the grass benefits from resting completely during at least a three-day period once a month.

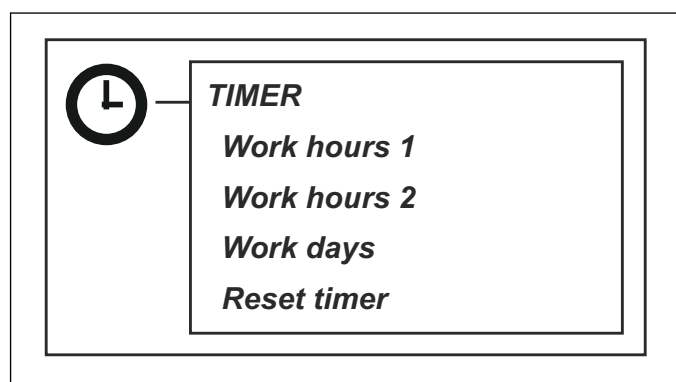
The timer function is also an ideal way to control which work hours the robotic lawnmower should not mow, for example, when the children are playing in the garden.

The factory setting of the *Timer* is Mon - Sun. This is normally a suitable setting for a working area corresponding to the maximum capacity. If the working area is less than maximum capacity then the timer should be used to minimize wear on grass and lawnmower. When setting the timer manually, calculate that the robotic lawnmower mows about the listed amount of the number of square meters per hour and day listed in table *Work capacity*. See *To set the timer on page 31*.

The table below provides suggestions for different timer settings depending on garden size. The times should be seen as indicative. They may need to be adjusted to suit the garden and for example grass quality and growth during the season. Use the table as follows:

- Find a work area that closest matches the size of the lawn.
- Select an appropriate amount of work days per week (for some work areas 7 days may be needed).
- Work hours per day shows how many hours a day the robotic lawnmower will be allowed to work for the selected amount of work days.
- Suggested time interval shows a time interval that corresponds to the required work hours per day.

3.13 Timer



The lawn should not be cut too often to obtain the best mowing result. When the robotic lawnmower is allowed

3.13.1 Timer suggestions

Automower 105			
Work area	Work days per week	Work hours per day	Suggested time interval
100 m ² / 120 yd ²	5	3.5 hours	07:00 - 10:30
	7	2.5 hours	07:00 - 09:30
200 m ² / 240 yd ²	5	7 hours	07:00 - 14:00
	7	5 hours	07:00 - 12:00
300 m ² / 360 yd ²	5	10 hours	07:00 - 17:00
	7	7 hours	07:00 - 14:00
400 m ² / 480 yd ²	5	13 hours	07:00 - 20:00
	7	9.5 hours	07:00 - 16:30
500 m ² / 600 yd ²	6	13.5 hours	07:00 - 20:30
	7	12 hours	07:00 - 19:00
600 m ² / 720 yd ²	7	14 hours	07:00 - 21:00

3.13.2 To set the timer

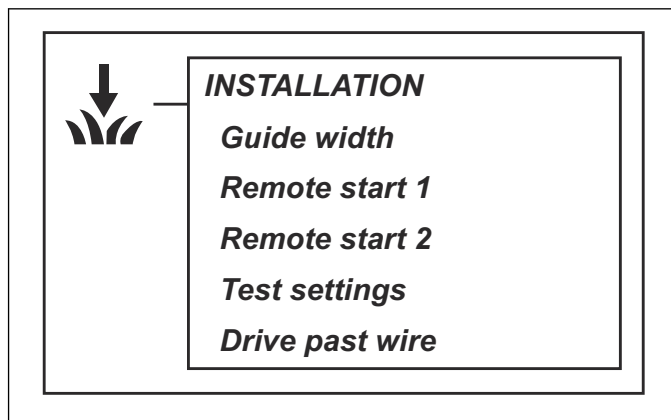
- **Work hours 1:** To set start and stop times for *Work hours 1*, enter each required time in hours and minutes and press *OK* to confirm the entered time.
- **Work hours 2:** To set start and stop times for *Work hours 2*, enter each required time in hours and minutes and press *OK* to confirm the entered time.
- **Work days:** To select the days the robotic lawnmower must work, tick off the days the robotic lawnmower will work
- **Reset timer:** To reset values to the factory settings, select the *Reset timer* and press *OK*.

To inactivate *Work hours 1* or *Work hours 2*, enter the time 00:00 - 00:00 to reset the timer to --:-- - --:--.

A clock symbol is displayed on the start page when the timer settings are set. The clock symbol is black when the robotic lawnmower is not allowed to mow due to a timer setting.

3.14 Installation

For many working areas there is no need to change the factory settings but sometimes, depending on the lawn complexity, the mowing result can be improved by making manual settings.



The following operating settings are available via this selection in the main menu.

- **Guide width:** To select the distance from the guide wire the mower is allowed to travel when it follows this to and from the charging station.
- **Remote start 1:** To control the robotic lawnmower so that it can easier reach remote parts of the garden.
- **Remote start 2:** To control the robotic lawnmower so that it can easier reach remote parts of the garden.
- **Test settings:** To check the above settings.
- **Drive past wire:** To set the distance over the boundary wire that the robotic lawnmower should travel before turning back.

For examples of installation settings, see *Yard layout examples on page 27*.

3.14.1 Guide width

The guide width is a measure of how far from the guide wire the robotic lawnmower is allowed to travel when it follows this to and from the charging station. The area beside the wire which the robotic lawnmower uses is called the Corridor.

The robotic lawnmower has a default setting for *Medium* wide corridors. To further reduce the risk of tracks forming, it is recommended to select as wide corridor as possible. The *Narrow* corridor setting is not normally recommended, but in a garden with one or many narrow passages, a narrow corridor may be the only option. The *Narrow* corridor setting increases the risk for tracks forming along the guide.

3.14.2 Remote start 1

One important function with the guide wire is the possibility to steer the robotic lawnmower to remote garden areas when required. This function is very useful in gardens where, for instance, the front and back are joined by a narrow passage.

Remote start 1 — Proportion
Distance

3.14.2.1 Proportion

With this function activated, (any option other than *Never* is selected) the robotic lawnmower will at times follow the guide wire from the charging station to the remote area and begin mowing there.

How often the robotic lawnmower must follow the guide wire from the charging station is selected as a proportion of the total number of times it leaves the charging station. At all other times, the robotic lawnmower leaves the charging station in the standard manner and starts to mow.

Proportion — Never
Rarely
Medium
Often
Always

- The following five options can be selected;
 - *Never* (0%)
 - *Rarely* (approx. 20%)
 - *Medium* (approx. 50%)
 - *Often* (approx. 80%)
 - *Always* (100%)

Select the percentage that corresponds to the size of the remote area relative to the total working area. If the remote area is for instance less than half of the total working area, then *Rarely* should be selected. If the remote area is for instance half of the total working area, *Medium* should be selected. Compare with the examples in *Yard layout examples on page 27*. The default setting is *Rarely*.

3.14.2.2 Distance

Enter the distance in metres along the guide wire from the charging station to the remote area where the robotic lawnmower begins mowing. Tip! Use the *Test OUT* function to determine how far it is to the remote area. The distance, stated in metres, will be shown in the robotic lawnmower's display.

3.14.3 Remote start 2

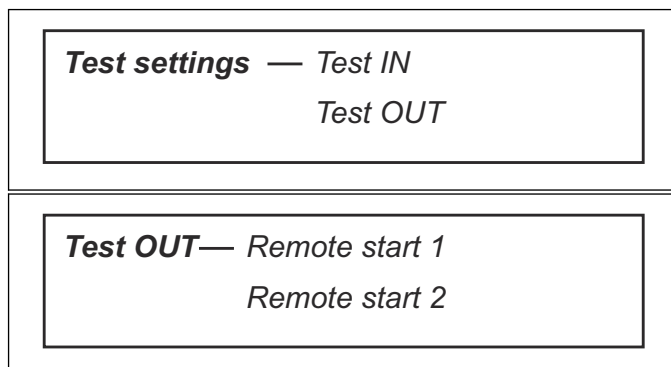
If the working area contains two remote areas, the guide wire should be installed so that it reaches both areas. *Remote start 1* and *Remote start 2* can then be combined to steer the robotic lawnmower to each area.

The settings for *Proportion* and *Distance* are carried out in the same way as for *Remote start 1*. The default setting is *Never*.

Take into account that the total figure for *Proportion* cannot exceed 100%. If one has for instance selected *Often* for *Remote start 1*, then one can only select *Never* or *Rarely* for *Remote start 2*.

3.14.4 Test settings

In the *Test settings* menu, it is possible to test how the settings for *Remote start 1* and *Remote start 2* work in the working area in question.



3.14.4.1 Test OUT

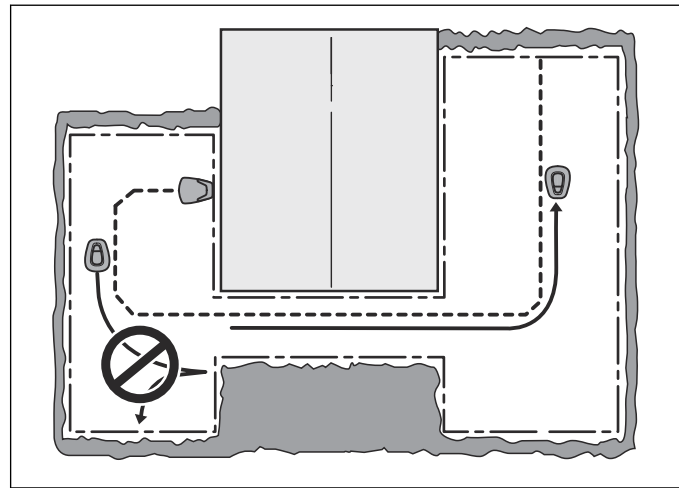
The *Test OUT* function is used to test if the selected Guide width suits the installation in question and to calculate the distance from the charging station to a remote area.

To test the settings in *Remote start 1*:

Park the robotic lawnmower in the charging station and select *Test OUT - Remote start 1*. The robotic lawnmower will then leave the charging station straight away along the guide wire and begin mowing after the designated distance.

If there is a passage that the robotic lawnmower cannot get through, the settings in Guide width ought to be changed from *Wide* to *Medium*. If required, the setting can also be changed to *Narrow*. The Narrow guide width setting should only be used if none of the other settings work for this installation. When the *Test OUT* function is activated, the robotic lawnmower travels the farthest distance from the wire allowed by the selected guide width.

The figure shows how the robotic lawnmower travels through a passage when *Guide width* is set to *Medium* and not to *Wide*.



How to measure the distance from the charging station to a remote area:

Enter a distance which beyond any doubt exceeds the real figure. The maximum distance that can be entered is 100 metres. Park the robotic lawnmower in the charging station and select *Test OUT*. The robotic lawnmower will immediately leave the charging station. The distance, stated in metres, will be shown in the mower display as the robotic lawnmower operates. Stop the robotic lawnmower at the required position and note the distance. Enter the displayed number of metres in the *Distance* field for the working area in question.

If *Remote start 2* has been activated, i.e. if another option other than *Never* has been selected for *Proportion*, these settings must also be tested. *Remote start 2* test is performed in the same way as for *Remote start 1*.

3.14.4.2 Test IN

The *Test IN* function allows you to test how well the robotic lawnmower docks with the charging station.

Note: *Test IN* can only be performed after *Test OUT* has been performed.

Selecting this function causes the robotic lawnmower to travel directly along the guide wire towards the charging station and to dock with it. The test is approved only if the robotic lawnmower is able to dock with the charging station at the first attempt. If the robotic lawnmower is unable to dock on the first attempt, it will automatically try again. The installation is not approved if the robotic lawnmower needs two or more attempts to dock with the charging station.

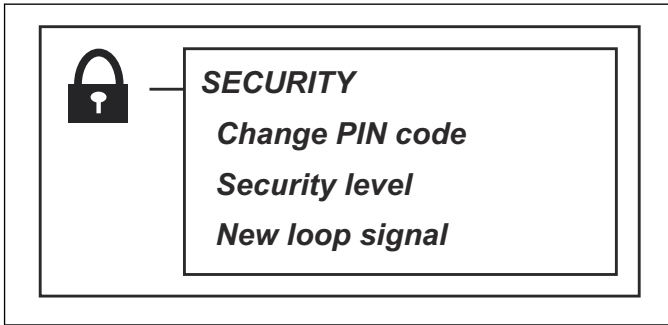
3.14.5 Drive past wire

The front of the robotic lawnmower always passes the boundary wire by a specific distance before the mower turns around. The default distance is 25 cm / 10 in., but this can be changed if required. The minimum value is 20 cm / 8 in. and the maximum value is 30 cm / 12 in. Note that the distance given is only an approximate value and should be regarded as a guide. In reality, the actual distance the robotic mower passes the boundary wire can vary.

Specify the number of centimetres you want the robotic lawnmower to pass the boundary wire and press *OK*.

3.15 Security

Through this selection, settings relating to security and the connection between the mower and the charging station can be made.



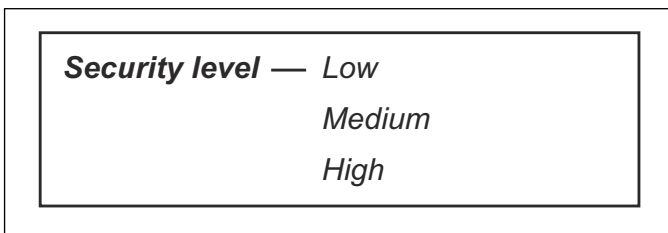
3.15.1 Change PIN code

Enter the new PIN code and press *OK*. Enter the same code again and confirm by pressing *OK*. When the PIN code is changed, the message *PIN code changed* appears in the display.

Make a note of the new PIN code on the designated line on the *MEMO*. See *Introduction on page 3*

3.15.2 Security level

There are 3 security levels to choose from.



Low and *Medium* security prohibits access to the robotic lawnmower if the PIN code is unknown. *High* security also includes a warning that beeps if the correct PIN code is not entered after a designated time period.

If the wrong PIN code is entered 5 times in succession the robotic lawnmower is blocked for a time. The blockage time is extended for every new incorrect attempt.

Function	Low	Medium	High
Time lock	X	X	X
PIN request		X	X
Alarm			X

3.15.2.1 Time lock

This function means that the robotic lawnmower cannot be started after 30 days without first entering the correct PIN code. When the 30 days has passed the robotic lawnmower will continue to mow as normal, but the *Enter PIN code* message appears when the hatch is opened. Enter your code again and press *OK*.

3.15.2.2 PIN request

This function means that the robotic lawnmower requests a PIN code if the robotic lawnmower is in standby and has the security setting *High*. Standby (flashing indicator lamp) means that the operator must press the **ON/OFF** button to make the robotic

lawnmower active again. The correct PIN code must be entered before it is possible to operate the robotic lawnmower.

3.15.2.3 Alarm

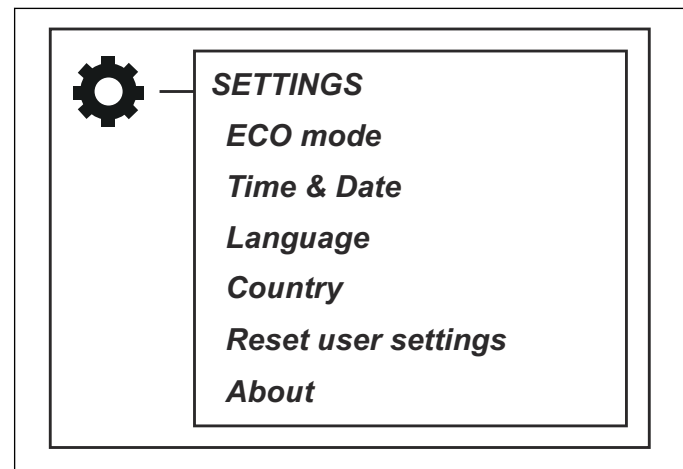
This function means that an alarm sounds if the PIN code is not entered within 10 seconds after the **STOP** button has been pressed or the robotic lawnmower has been lifted up for any reason. A ticking noise indicates that the PIN code must be entered to prevent triggering the alarm. The alarm can be turned off at any time by entering the correct PIN code.

3.15.3 New loop signal

The loop signal is randomly selected to create a unique link between the robotic lawnmower and the charging station. In rare cases, there may be a need to generate a new signal, for instance if two adjacent installations have a very similar signal.

1. Place the robotic lawnmower in the charging station.
2. Select *New loop signal* in the menu.
3. Press *OK* and await confirmation that the loop signal has been generated. This normally takes about 10 seconds.

3.16 Settings



3.16.1 ECO mode

This function automatically turns off the loop signal in the boundary loop, the guide wires and the charging station when the robotic lawnmower is not mowing, i.e. when the lawnmower is charging or is not allowed to mow due to timer settings.

The *ECO mode* is suitable to use where there is other wireless equipment not compatible with the robotic lawnmower e.g. certain hearing loops or garage doors.

When *ECO mode* is activated, the indicator lamp in the charging station flashes green. *ECO mode* means that the robotic lawnmower can only be started in the charging station and not out in the working area.

In *ECO mode*, it is very important to always press the **STOP** button before removing the robotic lawnmower from the charging station. It is otherwise not possible to start the robotic lawnmower. If the lawnmower has been removed by mistake without first pressing the **STOP** button, the lawnmower must be placed back in the charging station and the **STOP** button pressed. Only

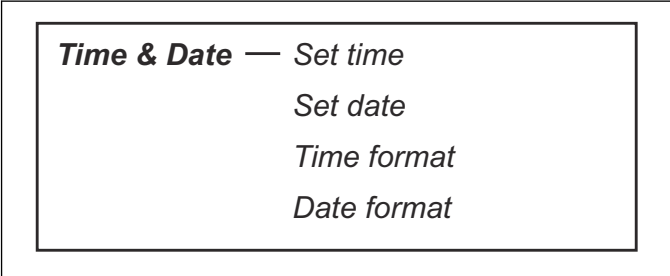
then can the robotic lawnmower be started inside the working area.

Select *RUN ECO mode* and press *OK* to activate *ECO mode*.

Note: Always press the **STOP** button before removing the robotic lawnmower from the charging station. In *ECO mode* the robotic lawnmower otherwise will not be started inside the working area.

3.16.2 Time & Date

This function allows you to set current time and required time format in the robotic lawnmower.



Time & Date — *Set time*
Set date
Time format
Date format

- **Set time:** Enter the correct time and press *OK* to exit.
- **Set date:** Enter correct date and press *OK* to exit.
- **Time format:** Place the cursor at the required time format: 12h 24h. Press *OK* to exit.
- **Date format:** Place the cursor at the required date format:

YYYY-MM-DD (year-month-day)

MM-DD-YYYY (month-day-year)

DD-MM-YYYY (day-month-year)

Exit by pressing *OK*.

3.16.3 Language

Set language with this function.

To select language: Place the cursor at the required language and press *OK*.

3.16.4 Country

With this function you can select in what country the robotic lawnmower will work.

Place the cursor at the required country and press *OK*.

3.16.5 Reset user settings

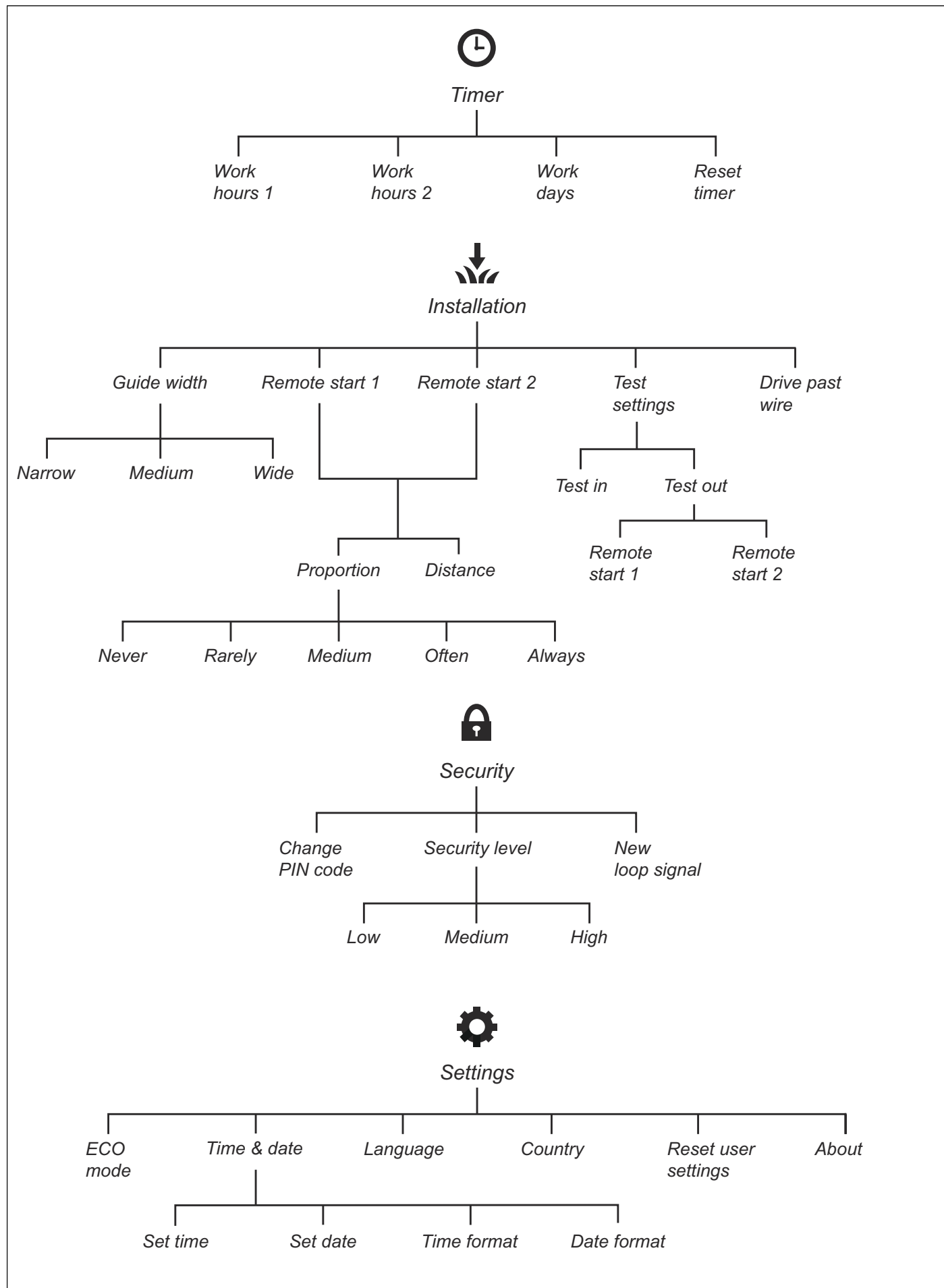
This function allows you to reset the robotic lawnmower to factory default settings.

1. Select *Reset user settings* in the menu and press *OK*. Enter the correct PIN code and press *OK*.

3.16.6 About

The About menu displays information about the robotic lawnmower's serial number and different software versions.

3.17 Menu structure overview



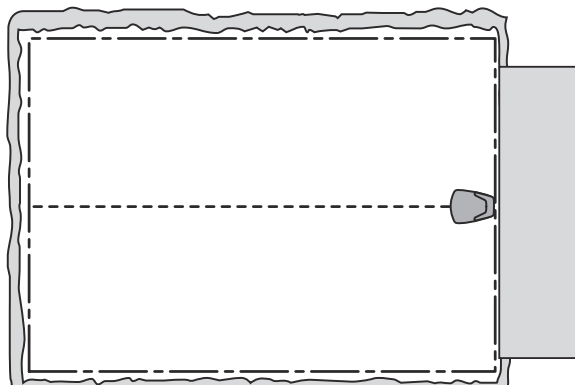
3.18 Yard layout examples

Different layouts require different settings. Adapting the robotic lawnmower's settings according to the shape of the lawn makes it easier for the robotic lawnmower to frequently reach all parts and therefore achieve a perfect mowing result. The following pages outline a number of layout examples with installation proposals and settings.

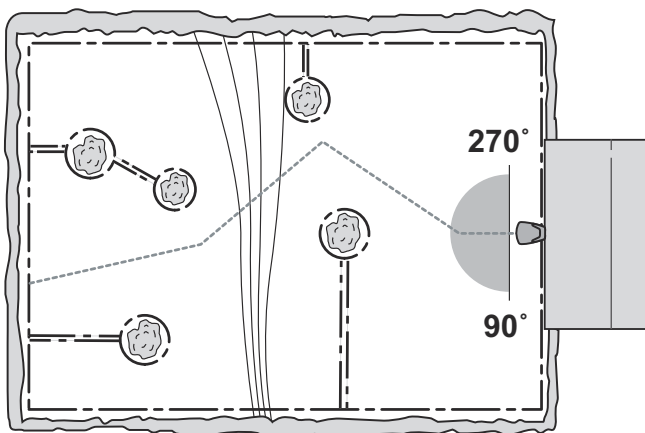
The recommended timer settings in the following examples are applicable to unless otherwise stated. There is more installation help on www.husqvarna.com.

Note: The default settings for the robotic lawnmower have been chosen to work in as many different gardens as possible. The settings only need to be adjusted when special installation conditions exist.

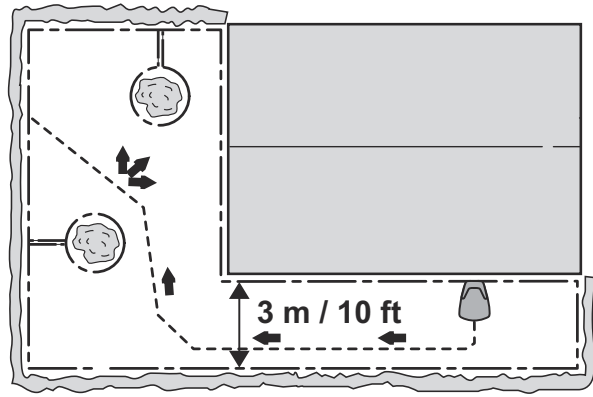
3.18.1 Open and level area

Area	150 m ² / 180 yd ²	
Timer	07:00 - 17:00 Monday, Tuesday, Wednesday, Friday	
Remote start - Proportion	Never	
Remarks	The timer should be used to prevent the grass looking trampled since the area is less than the maximum capacity of the robotic lawnmower.	

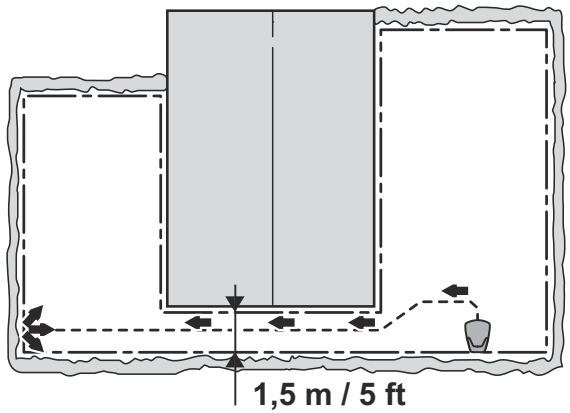
3.18.2 A number of islands and a 25% slope

Area	400 m ² / 480 yd ²	
Timer	07:00 - 23:00 (factory setting) Monday-Sunday	
Remote start - Proportion	Rarely (factory setting)	
Remarks	Place the charging station in the lower part of the working area. Lay the guide wire at an angle over the steep slope. Make sure guide wire is laid according to recommendations in <i>Laying and connecting the guide wire on page 18</i>	

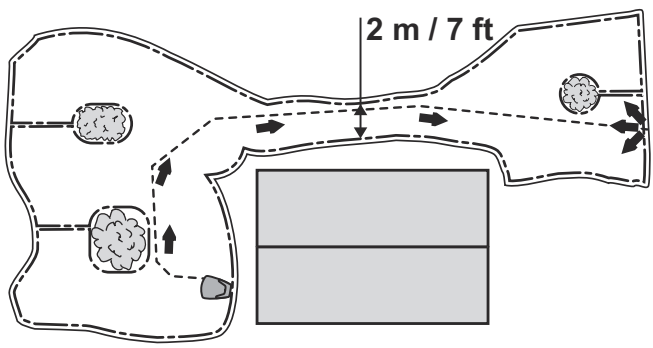
3.18.3 L-shaped garden with a couple of islands and the charging station installed in the narrow area

Area	200 m ² / 240 yd ²	
Timer	07:00 - 22:00 Monday, Tuesday, Wednesday, Friday	
Remote start - Proportion	Often	
Remarks	As most of the working area can easily be reached by the robotic lawnmower following the guide wire out from the charging station, select Proportion: <i>Often</i> . Make sure guide wire is laid according to recommendations in <i>Laying and connecting the guide wire on page 18</i>	

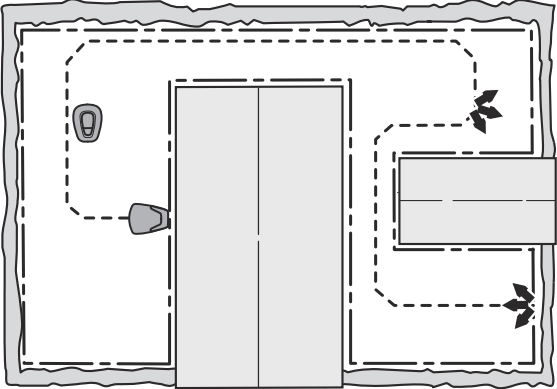
3.18.4 U-shaped garden linked with a narrow passage

Area	250 m ² / 300 yd ²	
Timer	07:00 - 22:00 Monday, Friday	
Remote start - Proportion	Medium	
Remarks	The guide wire must be placed along the narrow passage to ensure that the robotic lawnmower can with ease locate the charging station from the left hand side of the working area. The Proportion: <i>Medium</i> is selected as the left hand area is nearly half of the total area. Make sure guide wire is laid according to recommendations in <i>Laying and connecting the guide wire on page 18</i>	

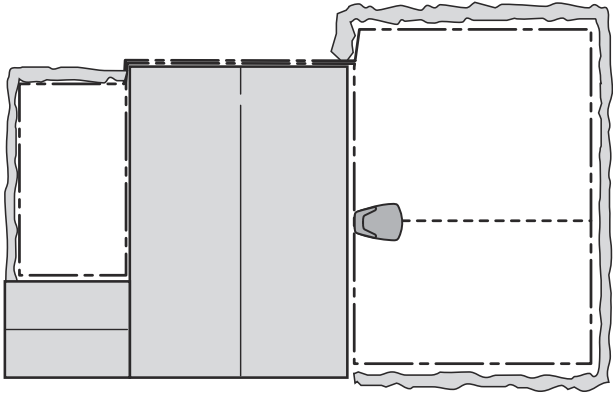
3.18.5 Unsymmetrical working area with a narrow passage and a number of islands

Area	150 m ² / 180 yd ²	
Timer	07:00 - 17:00 Monday, Tuesday, Wednesday, Friday	
Remote start - Proportion	Rarely (factory setting)	
Remarks	The guide wire must be placed along the narrow passage to ensure that the robotic lawnmower can with ease locate the charging station from the right hand side of the working area. Select Proportion: <i>Rarely</i> as the right hand area is a small fraction of the total area. Make sure guide wire is laid according to recommendations in <i>Laying and connecting the guide wire on page 18</i>	

3.18.6 Three areas linked with two narrow passages

Area	400 m ² / 480 yd ²	
Timer	07:00 - 23:00 Tuesday, Thursday, Friday	
Remote start 1 - Proportion	Rarely (factory setting)	
Remote start 2 - Proportion	Rarely (factory setting)	
Remarks	As the working area contains three areas linked by two narrow passages, <i>Remote start 1</i> and <i>Remote start 2</i> must be used to obtain an even mowing result across the entire working area. Available in Automower 105. Make sure guide wire is laid according to recommendations in <i>Laying and connecting the guide wire on page 18</i>	

3.18.7 A secondary area

Area	200 + 50m ² / 240 + 60yd ²	
Timer	07:00 - 18:00 Monday, Tuesday, Thursday, Friday	
Remote start - Proportion	Rarely (factory setting)	
Remarks	The secondary area is cut using the <i>MAN</i> mode on Wednesday and Saturday.	

4 Operation

4.1 Main switch



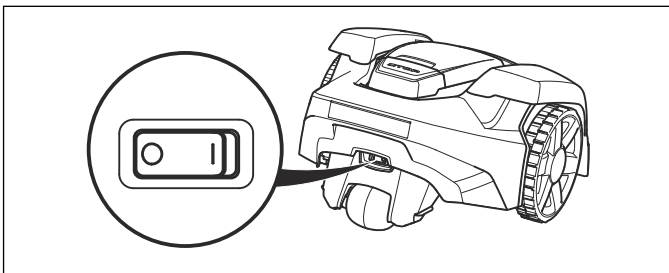
WARNING: Read the safety instructions carefully before you start your robotic lawnmower.



WARNING: Keep your hands and feet away from the rotating blades. Never put your hands or feet close to or under the machine when the motor is running.



WARNING: Never use the robotic lawnmower when persons, especially children, or pets, are in the cutting area.

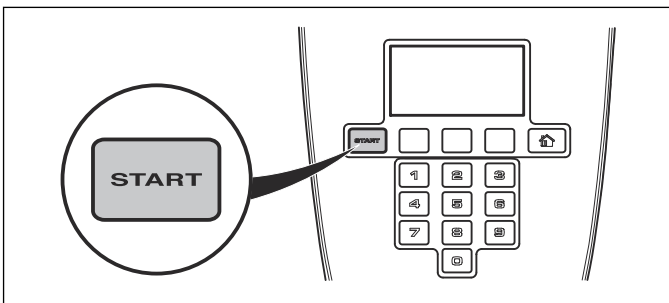


- Set the **Main switch** in the *1* position to start the robotic lawnmower.
- Set the **Main switch** in the *0* position when the robotic lawnmower is not in use or if any work, inspection or maintenance is being carried out.

When the main switch is set in the *0* position the motors on the robotic lawnmower cannot start.

4.2 Start

1. Press the **STOP** button to open the hatch.
2. Set the main switch to position *1*.
3. Enter the PIN code.
4. Push the **START** button.



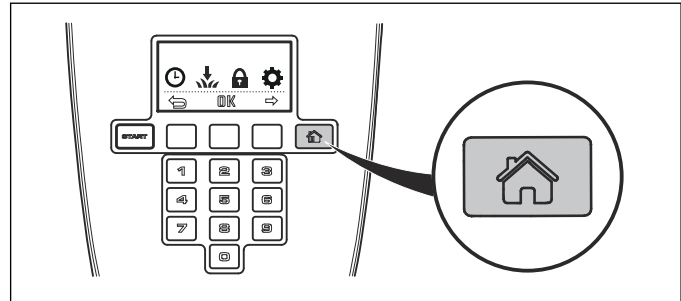
5. Shut the hatch within 10 seconds.

If the robotic lawnmower is parked in the charging station, it will only leave the charging station when the battery is fully charged and if the timer is set to allow the mower to operate.

Note: Before the blade disc starts, 5 beeps are heard for 2 seconds.

4.3 Operation selection

The operation selection button is symbolised by a house. When the button has been pressed, the selected operation mode is shown in the display. By consecutively pressing the button many times, one can choose between three different operation modes.



1. **HOME:** Sends the robotic lawnmower to the charging station. It remains here until another operation mode is selected. The text *HOME* is shown in the operation window. When the battery is fully charged, the robotic lawnmower will remain parked in the charging station and begin mowing again until the operation selection is altered to *AUTO*.

The Home setting is also used after a new installation or when changes are made to an existing installation to test if the robotic lawnmower can follow the guide wire and dock with the charging station. See *Test docking with the charging station on page 19*

2. **AUTO:** The standard, automatic operation mode where the robotic lawnmower mows and charges automatically.
3. **MAN:** When mowing secondary areas (see *Secondary areas on page 15*), the *MAN* setting must be used.

If *MAN* is selected the robotic lawnmower will mow until the battery runs out. It will then stop and the *Needs manual charging* message will appear. The robotic lawnmower must then be moved manually to the charging station and then started manually after charging.

If the robotic lawnmower charges in the *MAN* mode, it will fully charge, move about 20 cm / 8 in. out of the charging station and then stop. This indicates that it is charged and ready to start mowing.

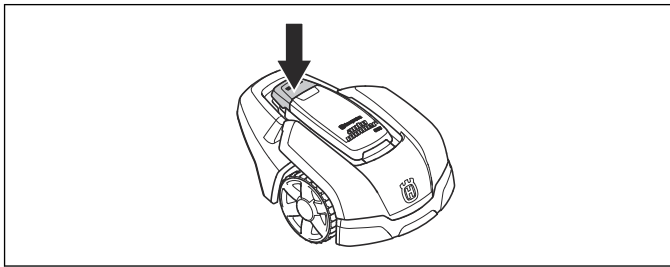
If the main working area has to be cut after charging, it is appropriate to switch the operation mode to *AUTO* before placing the robotic lawnmower in the charging station.

Note: Always press the **START** button before closing the hatch to start the robotic lawnmower. If the **START** button is not pressed, a message beep is heard and the robotic lawnmower will not start.

4.4 Stop

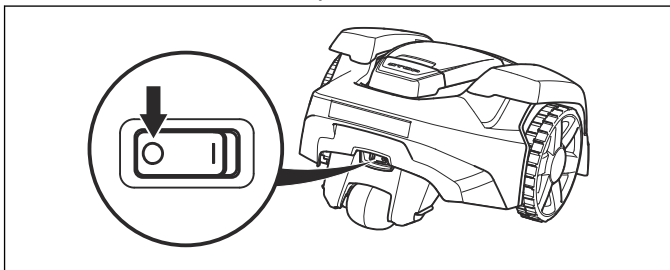
1. Press the **STOP** button on top of the robotic lawnmower.

The robotic lawnmower stops and the blade motor stops.



4.5 Switch off

1. Press the **STOP** button on top of the robotic lawnmower.
2. Set the **Main switch** to position 0.



WARNING: Always switch off the robotic lawnmower using the main switch if it requires maintenance, or if the robotic lawnmower must be moved outside the working area.

4.6 Timer and Standby

Use the timer function (see *Timer on page 21*) to avoid a downtrodden lawn.

4.6.1 Standby

The robotic lawnmower has an inbuilt standby period according to the Standby time table. The standby period provides for instance a good opportunity to water or play games on the lawn.

Model	Standby time, minimum hours per day
Automower 105	10

4.6.2 To set the timer

When setting the timer, calculate that the robotic lawnmower mows about the amount of the number of square meters per hour and day listed in table Work capacity.

Model	Approximate work capacity, m ² per hour and day
Automower 105	43

If the working area is for example 360 m² / 430 yd² in size, Automower 105 must operate for 8 hours a day. The times are approximate and depend for instance on grass quality, blade sharpness and battery age.



WARNING: Use the timer to avoid mowing when there are usually children, pets and anything else that could be damaged by the rotating blades on the lawn.

The factory setting for the timer is 07:00 - 23:00 and it allows mowing every day of the week. However, the robotic lawnmower will not operate during the built-in standby period.

4.6.3 Example 1

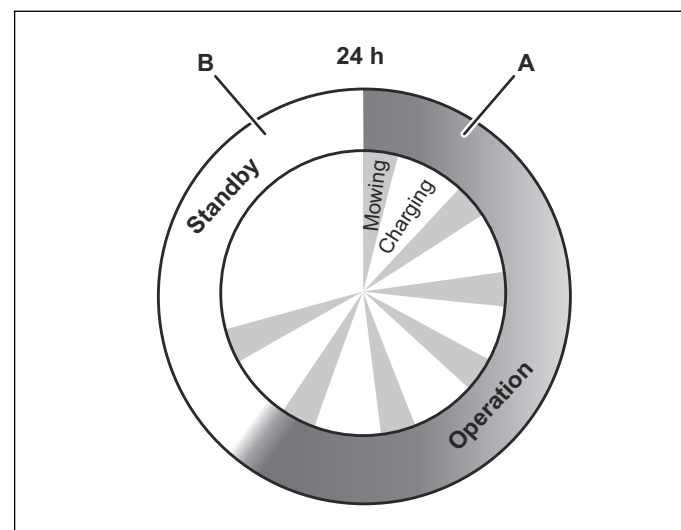
The times used in this example are applicable to Automower 105, but the principle is the same for other models.

Timer setting, *Period 1*: 07:00 - 23:00

Active period (A): 07:00 - 21:00

The factory setting ensures that the robotic lawnmower begins cutting the lawn at 07:00. However the mower is parked in standby mode in the charging station from 21:00 and rests until it starts cutting again at 07:00.

If the timer setting is divided into 2 work periods, the standby period can be divided into a number of periods. The minimum standby period time must however be according to the Standby time table.



Automower 105

Operation, A = max. hours	14
Charging/Standby, B = min. hours	10

4.6.4 Example 2

The times used in this example are applicable to Automower 105, but the principle is the same for the other models.

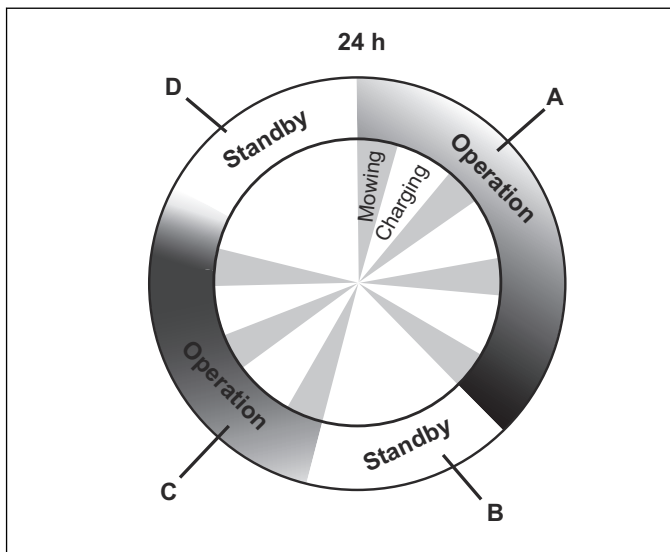
Timer setting *Period 1* (A): 06:00 - 17:00

Timer setting *Period 2* (C): 20:00 - 23:00

Active period (A): 08:00 - 16:00

Active period (C): 20:00 - 23:00

The robotic lawnmower will operate between 06:00 and 17:00. It will begin again at 20:00 but stops running at 23:00 due to standby mode until it starts again at 06:00.



Automower 105	
Operation, A + C = max. hours	14
Charging/Standby, B + D = min. hours	10

4.7 Charge a flat battery

When the Husqvarna robotic lawnmower is new or has been stored for a long period, the battery will be flat and needs to be charged before starting.



WARNING: Only charge the robotic lawnmower using a charging station which is intended for it. Incorrect use may result in electric shock, overheating or leakage of corrosive liquid from the battery.

In the event of leakage of electrolyte flush with water and seek medical help if it comes in contact with the eyes etc.

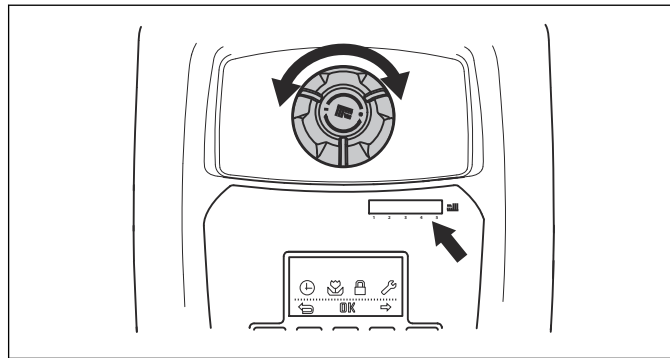
1. Set the main switch to position 1.
2. Place the robotic lawnmower in the charging station. Open the hatch and slide the robotic lawnmower in as far as possible to ensure proper contact between the robotic lawnmower and the charging station. See contact and charging strips in *Product overview on page 4*
3. The display shows a message that charging is in progress.

4.8 Adjust the cutting height

The cutting height can be varied from MIN (2 cm / 0.8 in.) to MAX (5 cm / 2 in.).

To adjust the cutting height:

1. Press the **STOP** button to stop the robotic lawnmower and open the hatch.
2. Turn the height adjustment knob to the required position. The selected position is indicated by the orange column on the height adjustment indicator.
 - Turn anti-clockwise to raise the cutting height.
 - Turn clockwise to lower the cutting height.



CAUTION: During the first week after a new installation, the cutting height must be set to MAX to avoid damaging the loop wire. After this, the cutting height can be lowered step by step every second week until the desired cutting height has been reached.

5 Maintenance

5.1 Introduction - maintenance

For better operating reliability and longer service life: check and clean the robotic lawnmower regularly and replace worn parts if necessary. All maintenance and servicing must be done according to Husqvarna's instructions. See *Guarantee terms on page 46*.

When the robotic lawnmower is first used, the blade disc and blades should be inspected once a week. If the amount of wear during this period has been low, the inspection interval can be increased.

It is important that the blade disc rotates easily. The edges of the blades should not be damaged. The lifetime of the blades varies immensely and depends for instance on:

- Operating time and size of the working area.
- Type of grass and seasonal growth.
- Soil, sand and use of fertilizers.
- The presence of objects such as cones, windfalls, toys, tools, stones, roots and the like.

The normal life is 4 to 7 weeks when used under favorable conditions. See *Replace the blades on page 33* on how to replace the blades.



WARNING: Wear protective gloves.

Note: Working with blunt blades gives a poorer mowing result. The grass is not cut cleanly and more energy is needed, resulting in the robotic lawnmower not being able to maintain such a large area.

5.2 Clean the robotic lawnmower

It is important to keep the robotic lawnmower clean. A mower with large amounts of grass stuck to it will not cope as well with slopes. It is recommended to clean using a brush.

Husqvarna offers a special cleaning and maintenance kit as an accessory. Please, contact Husqvarna customer service.

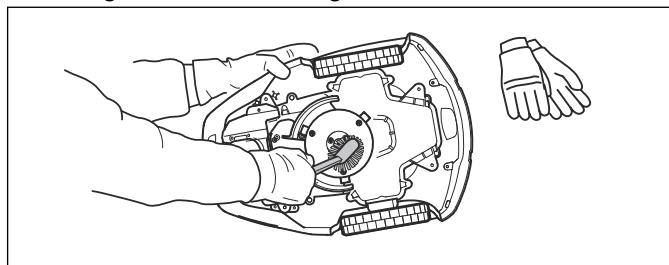


CAUTION: Never use a high-pressure washer to clean the robotic lawnmower. Never use solvents for cleaning.

5.2.1 Chassis and blade disc

1. Set the **Main switch** to position 0.
2. Lift the robotic lawnmower onto its side.
3. Clean the blade disc and chassis using for example a dish brush. At the same time, check that the blade disc rotates freely in relation to the foot guard. Also, check that the blades are intact and can pivot freely. If long grass or other objects find their way in, these may impede the blade disc. Even a slight braking effect leads to a higher consumption of energy and

at worst will prevent the robotic lawnmower from being able to mow a large lawn.



5.2.2 Chassis

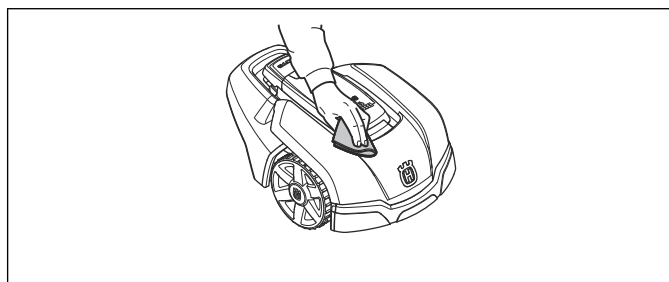
Clean the underside of the chassis. Brush or wipe with a damp cloth.

5.2.3 Wheels

Clean around the front wheels and rear wheel as well as the rear wheel bracket. Grass on the wheels can impact on how the lawnmower works in slopes.

5.2.4 Body

Use a damp, soft sponge or cloth to clean the body. If the body is very dirty it may be necessary to use a soap solution or washing-up liquid.



5.2.5 Charging station

Clean the charging station regularly from grass, leaves, twigs and other objects that may impede docking.

5.3 Replace the blades

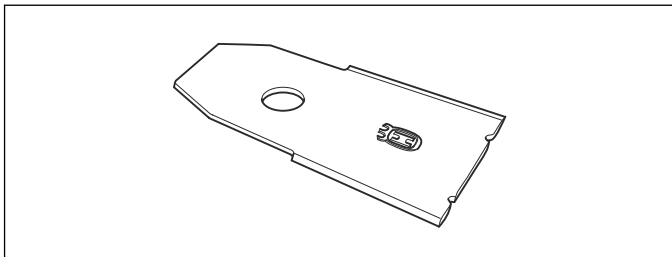


WARNING: Always use blades and screws of the right type. Husqvarna can only guarantee safety when using original blades. Only replacing the blades and reusing the screw can result in a screw wearing during mowing and shearing. The blades can then be propelled from under the body and cause serious injury.

Replace worn or damaged parts for safety reasons. Even if the blades are intact, they should be replaced on a regular basis for the best mowing result and low energy usage.

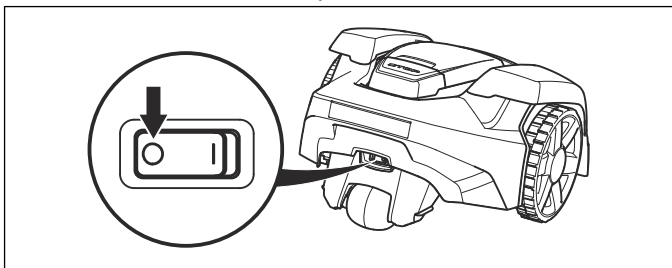
There are 3 blades on the robotic lawnmower, which are screwed into the blade disc. All 3 blades and screws must be replaced at the same time to obtain a balanced cutting system.

Use Husqvarna original blades embossed with the crowned H-mark logotype, see *Guarantee terms on page 46*.

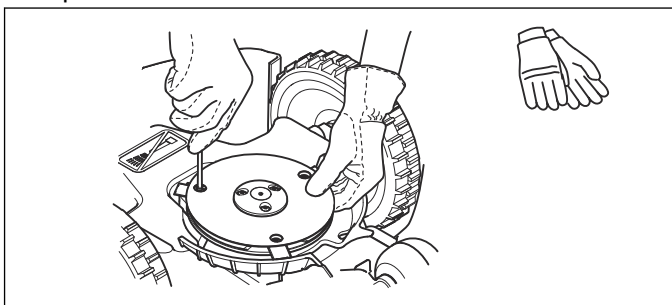


5.3.1 To replace the blades

1. Set the **Main switch** to position 0.



2. Turn the robotic lawnmower upside down. Place the robotic lawnmower on a soft and clean surface to avoid scratching the body and the hatch.
3. Rotate the skid plate so that its holes align with the screws for the blade.
4. Remove the 3 screws. Use a straight slot or cross-tip screwdriver.



5. Remove each blade and screw.
6. Fasten new blades and screws.
7. Check that the blades can pivot freely.

5.4 Battery

The battery is maintenance-free, but has a limited life span of 2 to 4 years.



WARNING: Only charge the robotic lawnmower using a charging station which is intended for it. Incorrect use may result in electric shock, overheating or leakage of corrosive liquid from the battery. In the event of leakage of electrolyte flush with water and seek medical help if it comes in contact with the eyes etc.



WARNING: Use only original batteries recommended by the manufacturer. Product safety cannot be guaranteed with other batteries. Do not use non-rechargeable batteries.



CAUTION: The battery must be charged fully before winter storage. If the battery is not fully charged it can be damaged and in certain cases be rendered useless.

Below indicates that the battery is getting old and eventually needs replacing:

- The operating time for the robotic lawnmower is shorter than normal between charges. This leads to more charging cycles than normal, which increases the risk of tracks forming near the charging station.
- The robotic lawnmower is found standing out on the lawn with *Empty battery* message. This indicates that the robotic lawnmower does not have battery capacity enough to find the charging station.

The battery is fine as long as the robotic lawnmower maintains a well-cut lawn.

Note: Battery life is dependent on the length of the season and how many hours a day the robotic lawnmower is operating. A long season or many hours of use a day means that the battery must be replaced more regularly.

Contact your local Husqvarna representative to replace the battery.

5.5 Winter service

Take your robotic lawnmower to your local Husqvarna representative for service prior to winter storage. Regular winter service will maintain the robotic lawnmower in good condition and create the best conditions for a new season without any disruptions.

Service usually includes the following:

- Thorough cleaning of the body, the chassis, the blade disc and all other moving parts.
- Testing of the mower's function and components.
- Checking and, if required, replacing wear items such as blades and bearings.
- Testing the mower's battery capacity as well as a recommendation to replace battery if necessary.
- If new software is available, the local Husqvarna representative updates the robotic lawnmower.

6 Troubleshooting

6.1 Introduction - troubleshooting

In this chapter, a number of messages are listed which may be shown in the display if there is a malfunction. There is a proposal as to the cause and steps to take for each message. This chapter also presents some symptoms that can guide you if the robotic lawnmower does not work as expected. More suggestions for steps to take in the event of malfunction or symptoms can be found on www.husqvarna.com.

6.2 Messages

Below a number of messages are listed which may be shown in the display of the robotic lawnmower. Contact your local Husqvarna representative if the same message appears often.

Message	Cause	Action
<i>Wheel motor blocked, left</i>	Grass or other object has wrapped around the drive wheel.	Check the drive wheel and remove the grass or other object.
<i>Wheel motor blocked, right</i>	Grass or other object has wrapped around the drive wheel.	Check the drive wheel and remove the grass or other object.
<i>Cutting system blocked</i>	Grass or other object has wrapped around the blade disc.	Check the blade disc and remove the grass or other object.
	The blade disc lies in a pool of water.	Move the robotic lawnmower and if possible prevent the collection of water in the working area.
<i>No loop signal</i>	The power supply is not connected.	Check the wall socket connection and whether an earth-fault breaker has tripped or not. Check that the low voltage cable is connected to the charging station.
	The boundary wire is not connected to the charging station	Check that the boundary wire connector is fitted properly to the charging station. Replace connectors if damaged. See <i>Connecting the boundary wire on page 17</i> .
	Boundary wire broken.	Find out where the break is. Replace the damaged section of the loop with a new loop wire and splice using an original coupler. See <i>Find breaks in the loop wire on page 40</i> .
	The boundary wire is crossed on its way to and from an island.	Check that the boundary wire is laid according to instructions, e.g. in the right direction around the island. See <i>Boundary wire on page 12</i> .
	The connection between the robotic lawnmower and the charging station has been broken.	Place the robotic lawnmower in the charging station and generate a new loop signal via <i>Security -> New loop signal</i> .
	Disturbances from metal objects (fences, reinforcement steel) or buried cables close by.	Try moving the boundary wire.
<i>Trapped</i>	The robotic lawnmower has got caught in something.	Free the robotic lawnmower and rectify the reason for it becoming trapped.
	The robotic lawnmower is stuck behind a number of obstacles.	Check if there are any obstacles which make it hard for the robotic lawnmower to move on from this place.

Message	Cause	Action
<i>Outside working area</i>	The boundary wire connections to the charging station are crossed.	Check that the boundary wire is connected correctly.
	The boundary wire is too close to the edge of the working area.	Check that the boundary wire has been laid according to the instructions in <i>Boundary wire on page 12</i> .
	The working area slopes too much.	
	The boundary wire is laid in the wrong direction around an island.	
	Disturbances from metal objects (fences, reinforcement steel) or buried cables close by.	Try moving the boundary wire.
	The robotic lawnmower finds it hard to distinguish the signal from another robotic lawnmower installation close by.	Place the robotic lawnmower in the charging station and generate a new loop signal via <i>Security -> New loop signal</i> .
<i>Low battery / Empty battery</i>	The robotic lawnmower cannot find the charging station.	Check that the charging station and the guide wire are installed in accordance with the instructions in <i>Installation on page 9</i> .
	The guide wire is broken or not connected.	Check that the indicator lamp in the charging station flashes yellow. See the solution in, <i>Indicator lamp in the charging station on page 38</i> .
	The battery is spent.	Replace the battery. See <i>Battery on page 34</i> .
	The charging station's antenna is defective.	Check if the indicator lamp in the charging station flashes red. See <i>Indicator lamp in the charging station on page 38</i> .
<i>Wrong PIN</i>	Wrong PIN code has been entered. Five attempts are permitted, and the keypad is then blocked for five minutes.	Enter the correct PIN code. Contact your local Husqvarna representative if you forget the PIN code.
<i>Wheel motor overloaded, right</i> <i>Wheel motor overloaded, left</i>	The robotic lawnmower has got caught in something.	Free the robotic lawnmower and rectify the reason for the lack of drive. If it is due to wet grass, wait until the lawn has dried before using the robotic lawnmower.
<i>No drive</i>	The robotic lawnmower has got caught in something.	Free the robotic lawnmower and rectify the reason for the lack of drive. If it is due to wet grass, wait until the lawn has dried before using the robotic lawnmower.
	The working area includes a steep slope.	Maximum guaranteed slope is 25%. Steeper slopes should be isolated. See <i>Slopes on page 15</i> .
	The guide wire is not laid at an angle on a slope.	If the guide wire is laid on a slope, it must be laid at an angle across the slope. See <i>Installation of the guide wire on page 17</i>
<i>Charging station blocked</i>	The contact between the charging strips and contact strips may be poor and the robotic lawnmower has made a number of attempts to charge.	Put the robotic lawnmower in the charging station and check that the charging strips and contact strips make good contact.
	An object is obstructing the robotic lawnmower.	Remove the object.
	The charging station is tilted or bent.	Confirm that the charging station is placed on a fully flat and horizontal ground. The charging station must not be tilted or bent.

Message	Cause	Action
<i>Stuck in charging station</i>	There is an object in the way of the robotic lawnmower preventing it from leaving the charging station.	Remove the object.
<i>Upside down</i>	The robotic lawnmower is leaning too much or has turned over.	Turn the robotic lawnmower the right way up.
<i>Needs manual charging</i>	The robotic lawnmower is set in the <i>MAN</i> operating mode.	Place the robotic lawnmower in the charging station. This behaviour is normal and no action is required.
<i>Next start hh:mm</i>	The timer setting prevents the robotic lawnmower from operating.	Change the timer settings. See <i>Timer on page 21</i> .
	The rest period is in progress. The robotic lawnmower has an inbuilt standby period according to the Standby time table.	This behaviour is normal and no action is required. See <i>Standby on page 31</i> .
<i>The day's mowing is complete</i>	The rest period is in progress. The robotic lawnmower has an inbuilt standby period according to the Standby time table.	This behaviour is normal and no action is required. See <i>Standby on page 31</i> .
<i>Lifted</i>	The lift sensor has been activated as the mower has become trapped.	Free the mower.
<i>Collision sensor problem, front/rear</i>	Mower body can not move freely around its chassis.	Check that the mower body can move freely around its chassis.
<i>Wheel drive problem, right/left</i>	Grass or other object is wrapped around the drive wheel.	Clean the wheels and around the wheels.
<i>Alarm! Mower switched off</i>	The alarm was activated because the mower was switched OFF.	Adjust the mower security level in the Security menu.
<i>Alarm! Mower stopped</i>	The alarm was activated because the mower was stopped.	
<i>Alarm! Mower lifted</i>	The alarm was activated because the mower was lifted.	
<i>Alarm! Mower tilted</i>	The alarm was activated because the mower was tilted.	
<i>Temporary battery problem</i>	Temporary battery or software related issue in the mower.	Restart the mower. Disconnect and reconnect the battery.
<i>Charging current too high</i>	Wrong or faulty power supply unit.	The message may require action by authorized service technician.

6.3 Indicator lamp in the charging station

For a fully functional installation, the indicator lamp in the charging station must emit a solid green light. If something else appears, follow the troubleshooting guide below.

If you still need help with troubleshooting, please contact your local Husqvarna representative.

Light	Cause	Action
<i>Solid green light</i>	Everything in order	No action required
<i>Green flashing light</i>	The signals are good and <i>ECO mode</i> is activated.	No action required. For more information on <i>ECO mode</i> , see <i>Settings on page 24</i> .
<i>Blue flashing light</i>	The boundary loop is not connected to the charging station	Check that the boundary wire connector is fitted properly to the charging station. See <i>Connecting the boundary wire on page 17</i> .
	Break in the boundary loop	Find out where the break is. Replace the damaged section of the boundary wire with a new loop wire and splice using an original coupler. See <i>Find breaks in the loop wire on page 40</i> .
<i>Yellow flashing light</i>	The guide wire is not connected to the charging station	Check that the guide wire connector is properly connected to the charging station. See <i>Laying and connecting the guide wire on page 18</i>
	Break in the guide wire	Find out where the break is. Replace the damaged section of the guide wire with a new loop wire and splice using an original coupler.
<i>Red flashing light</i>	Interruption in the charging station's antenna	Contact your local Husqvarna representative.
<i>Solid red light</i>	Fault in the circuit board or incorrect power supply in the charging station. The fault should be rectified by an authorized service technician.	Contact your local Husqvarna representative.

6.4 Symptoms

If your robotic lawnmower does not work as expected, follow the symptoms guide below.

There is a FAQ (Frequently Asked Questions) on www.husqvarna.com which provides more detailed answers to a number of standard questions. Contact your local Husqvarna representative if you still cannot find the reason for the fault.

Symptoms	Cause	Action
The robotic lawnmower runs at the wrong time	The robotic lawnmower clock needs to be set.	Set the clock. See <i>Time & Date on page 25</i> .
	The start and stop times for mowing are incorrect.	Reset the start time and stop time settings for mowing. See <i>Time & Date on page 25</i> .
The robotic lawnmower runs, but the blade disc does not rotate.	The robotic lawnmower searches for the charging station.	No action. The blade disc does not rotate when the robotic lawnmower is searching for the charging station.
Both the mowing and charging times are shorter than usual.	The battery is spent.	Replace the battery. See <i>Battery on page 34</i> .
The robotic lawnmower mows for shorter periods than usual between charges.	Grass or other foreign object blocks the blade disc.	Remove and clean the blade disc. See <i>Clean the robotic lawnmower on page 33</i> .
	The battery is spent.	Replace the battery. See <i>Battery on page 34</i> .
The robotic lawnmower has difficulty docking.	The boundary wire is not laid in a long straight line that is far enough out from the charging station.	Check that the charging station has been installed according to the instructions in <i>Laying the boundary wire on page 16</i>
	The guide wire is not inserted in the slot under the charging station.	It is absolutely critical for operation that the guide wire is perfectly straight and is in the correct position under the charging station. Therefore make sure that the guide wire is always in its slot in the charging station. See <i>Laying and connecting the guide wire on page 18</i> .
	The charging station is on a slope.	Place the charging station on a surface that is entirely level. See <i>Charging station on page 10</i> .
The robotic lawnmower is parked for hours in the charging station.	The robotic lawnmower has an inbuilt standby period according to the Standby time table. See <i>Standby on page 31</i> .	No action.
	The hatch has been closed without the START button first being pressed.	Open the hatch, press the START button and then close the hatch.

Symptoms	Cause	Action
Uneven mowing results.	The robotic lawnmower works too few hours per day.	Increase the mowing time. See <i>Timer on page 21</i> .
	The <i>Proportion</i> setting is incorrect in relation to the layout of the working area.	Check that the correct <i>Proportion</i> value is selected.
	The shape of the working area requires the use of both <i>Remote start 1</i> and <i>Remote start 2</i> for the robotic lawnmower to find its way to all remote areas.	Also use <i>Remote start 2</i> to steer the robotic lawnmower to a remote area. See <i>Installation on page 22</i> .
	Working area too large.	Try limiting the working area or extending the working time. See <i>Timer on page 21</i> .
	Dull blades.	Replace all the blades. See <i>To replace the blades on page 34</i> .
	Long grass in relation to the set cutting height.	Increase the cutting height and then successively lower.
	Accumulation of grass by the blade disc or around the motor shaft.	Check that the blade disc rotates freely and easily. If not, screw off the blade disc and remove grass and foreign objects. See <i>Clean the robotic lawnmower on page 33</i> .
The robotic lawnmower vibrates.	Damaged blades lead to imbalance in the cutting system.	Inspect the blades and screws and replace them if necessary. See <i>To replace the blades on page 34</i> .
	Too many blades in the same position lead to imbalance in the cutting system.	Check that only one blade is fitted at each screw.
	Different versions (thickness) of Husqvarna blades are used.	Check if the blades are of different versions.

6.5 Find breaks in the loop wire

Breaks in the loop wire are usually the result of unintentional physical damage to the wire such as when gardening with a shovel. In countries with ground frost, also sharp stones that move in the ground can damage the wire. Breaks can also occur due to the wire being stretched excessively during installation.

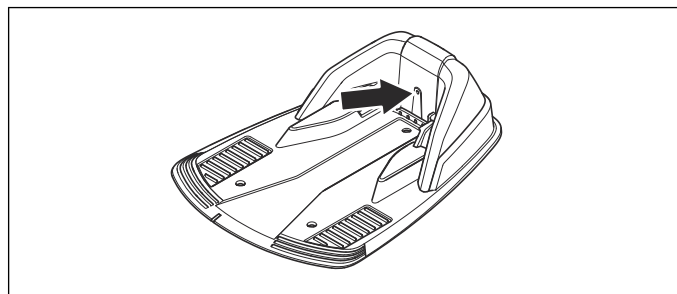
Mowing the grass too low right after the installation can damage wire insulation. Damage to the insulation may not cause disruptions until several weeks or months later. To avoid this, always select the maximum cutting height the first weeks after installation and then lower the height one step at a time every second week until the desired cutting height has been reached.

A defective splicing of the loop wire can also lead to disruptions several weeks after the splice was done. A faulty splice can, for example, be the result of the original coupler not being pressed together hard enough with a pair of pliers, or that a coupler of lower quality than the original coupler has been used. Please first check all known splices before further troubleshooting is done.

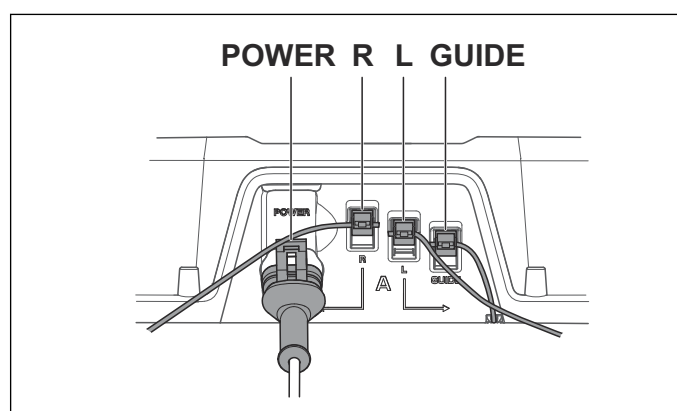
A wire break can be located by gradually halving the distance of the loop where the break may have occurred until there is only a very short section of the wire left.

The following method does not work if *ECO mode* is activated. Make sure first that *ECO mode* is turned off. See *ECO mode on page 24*.

1. Check that the indicator lamp in the charging station flashes blue, which indicates a break in the boundary loop. See *Indicator lamp in the charging station on page 38*.



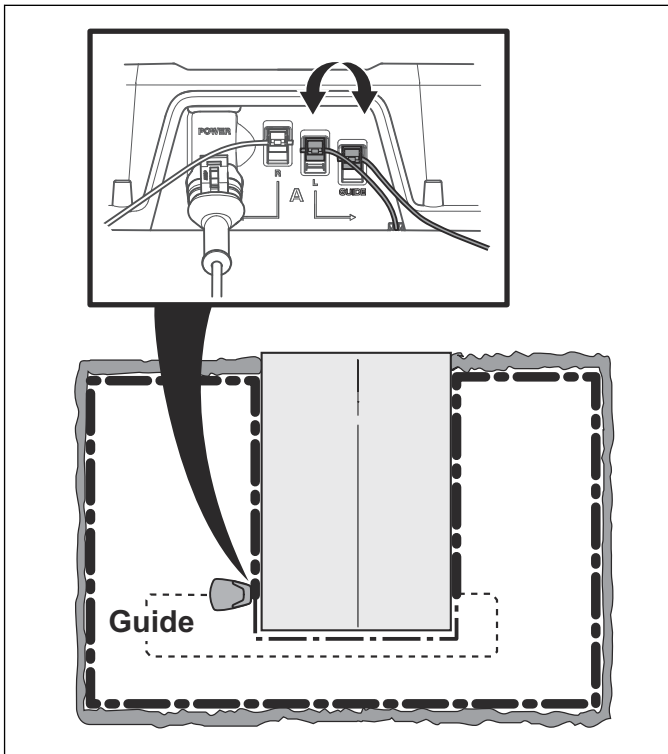
2. Check that the boundary wire connections to the charging station are properly connected and not damaged. Check that the indicator lamp in the charging station is still flashing blue.



- Switch the connections between the guide wire and the boundary wire in the charging station.

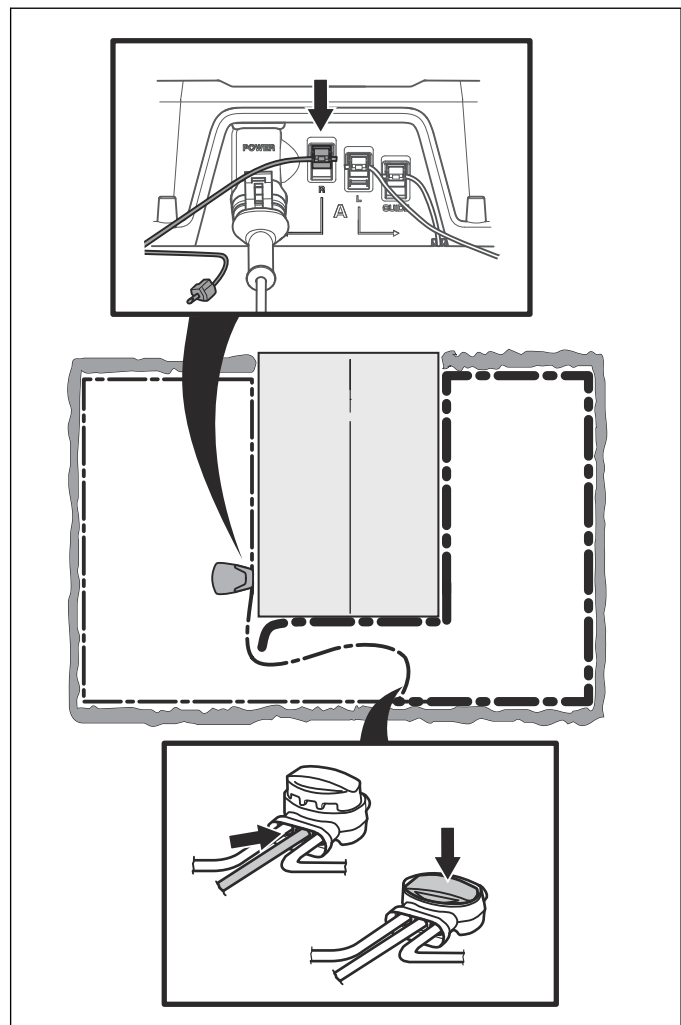
Start by switching connection L and GUIDE.

If the indicator lamp is lit with a solid green light, then the break is somewhere on the boundary wire between L and the point where the guide wire is connected to the boundary wire (thick black line in the illustration).

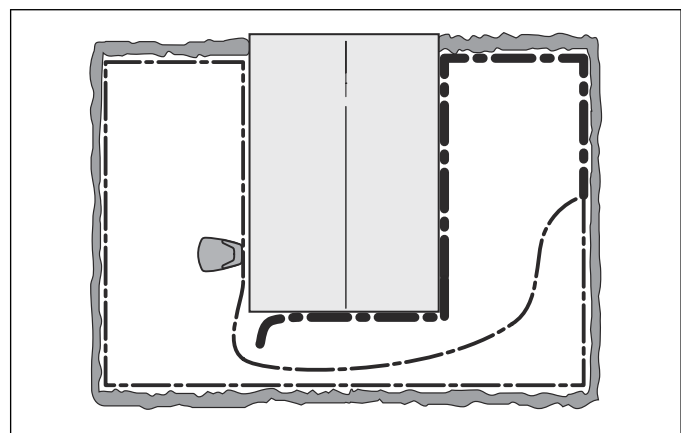


To rectify the fault you will need boundary wire, connector(s) and coupler(s):

- If the suspected boundary wire is short then it is easiest to exchange all of the boundary wire between L and the point where the guide wire is connected to the boundary wire (thick black line).
- If the suspected boundary wire is long (thick black line) then do as follows: Put L and GUIDE back to their original positions. Then disconnect R. Connect a new loop wire to R. Connect the other end of this new loop wire at the middle of the suspected wire section.



If the indicator lamp now is green, then the break is somewhere in the wire between the disconnected end to the point where the new wire is connected (thick black line below). In that case, move the connection for the new wire closer to the disconnected end (roughly at the middle of the suspected wire section) and check again if the indicator lamp is green.

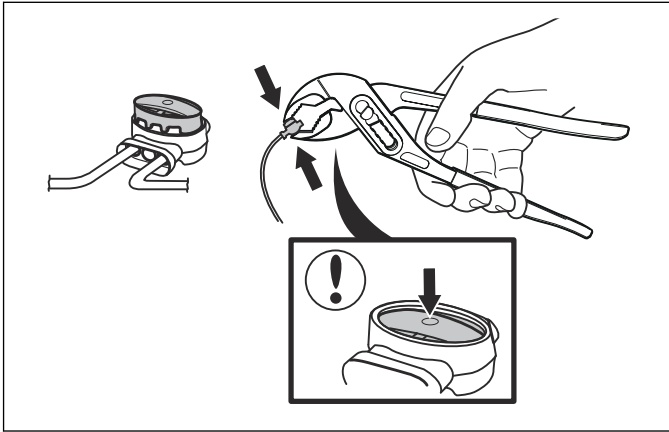


Continue until only a very short section of the wire remains which is the difference between a solid green light and a flashing blue light. Then follow instruction in step 5 below.

- If indicator lamp still flashes blue in step 3 above: Put L and GUIDE back in their original positions. Then switch R and GUIDE. If indicator lamp now is lit with a solid green light then

disconnect L and connect a new boundary wire to L. Connect the other end of this new wire at the middle of the suspected wire section. Follow the same approach as in 3a) and 3b) above.

5. When the break is found, the damaged section must be replaced with a new wire. Always use original couplers.



7 Transportation, storage and disposal

7.1 Transportation

The supplied Li-ion batteries obey the Dangerous Goods Legislation requirements.

- Obey all applicable national regulations.
- Obey the special requirement on package and labels for commercial transportations, including by third parties and forwarding agents.

7.2 Storage

- Fully charge the product. Refer to *Charge a flat battery on page 32*.
- Disconnect the product with the **main switch**. Refer to *Main switch on page 30*.
- Clean the product. Refer to *Clean the robotic lawnmower on page 33*.
- Keep the product in a dry, frost free space.
- Keep the product with all wheels on level ground during storage, or use a Husqvarna wall hanger.
- If you keep the charging station indoors, disconnect and remove the power supply and all the connectors from the charging station. Put the end of each connector wire in a container with grease.
- If you keep the charging station outdoors, do not disconnect the power supply and the connectors.

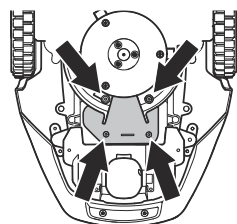
7.3 Disposal

- Obey the local recycling requirements and applicable regulations.
- For questions about how to remove the battery, refer to *Removal of battery for recycling on page 43*.

7.3.1 Removal of battery for recycling

Follow these steps for removal of the battery from the robotic lawnmower.

1. Set the main switch in position 0.
2. Lower the cutting height to its lowest position.
3. Turn the robotic lawnmower upside down.
4. Clean around the battery cover.
5. Unscrew the 4 screws to the battery cover (Torx 20) and remove the battery cover.



6. Unscrew the screw of the battery retaining bracket and remove the bracket.
7. Pull out the battery by pulling on the strap.

8 Technical data

8.1 Technical data

Dimensions	Automower 105
Length, cm / in	55 / 21.7
Width, cm / in	39 / 15.4
Height, cm / in	25 / 9.8
Weight, kg / lbs	6.9 / 15
Electrical system	Automower 105
Battery, Lithium-Ion 18 V/2.1 Ah Art.No	586 57 62-01, 586 57 62-02
Power supply, V/28 V DC	100-240
Low voltage cable length, m / ft	10 / 33
Mean energy consumption at maximum use	5 kWh/month in a 600 m ² / 0.15 yd ² working area
Charge current, A DC	1.3
Average mowing time, min	65
Average charging time, min	50
Boundary wire antenna	Automower 105
Operating Frequency Band, Hz	300-80000
Maximum Radio-frequency power, mW @60m ¹	<25
Noise emissions measured in the environment as sound power²	Automower 105
Measured sound power noise level, dB (A)	58
Noise emissions uncertainties K _{WA} , dB (A)	3
Guaranteed sound power noise level, dB (A)	61
Sound pressure noise level at the operator's ear, dB (A) ³	47
Mowing	Automower 105
Cutting system	3 pivoted cutting blades
Blade motor speed, rpm	2900
Power consumption during cutting, W +/- 20 %	20
Cutting height, cm / in	2-5 / 0.8-2
Cutting width, cm / in	17 / 6.7
Narrowest possible passage, cm / in	60 / 24
Maximum angle for cutting area, %	25
Maximum angle for boundary wire, %	15
Maximum length boundary wire, m / ft	400 / 1300
Maximum length guide wire, m / ft	200 / 650

¹ Maximum active output power to antennas in the frequency band in which the radio equipment operates.

² **Noise emissions in the environment measured as sound power (L_{WA}) in conformity with EC directive 2000/14/EC. The guaranteed sound power level includes variation in production as well as variation from the test code with 1-3 dB(A).**

³ Sound pressure noise uncertainties K_{pA}, 2-4 dB (A)

Mowing	Automower 105
Working capacity, m ² / yd ² +/- 20%	600 / 720
IP-classification	Automower 105
Robotic lawnmower	IPX4
Charging station	IPX1
Power supply	IPX4

Full compatibility cannot be guaranteed between the robotic lawnmower and other types of wireless systems such as remote controls, radio transmitters, hearing loops, buried electric animal fencing or similar.

9 Warranty

9.1 Guarantee terms

Husqvarna guarantees this product's functionality for a period of two years (from date of purchase). The guarantee covers serious faults relating to materials or manufacturing faults. Within the guarantee period, we will replace the product or repair it at no charge if the following terms are met:

- The robotic lawnmower and the charging station may only be used in compliance with the instructions in this Operator's Manual. This manufacturer's guarantee does not have an effect on the user's existing warranty claims against the dealer/seller.
- End-users or non-authorized third parties must not attempt to repair the product.

Examples of faults which are not included in the guarantee:

- Damage caused by water seepage from using a high-pressure washer, or from being submerged under water, for example when heavy rain forms pools of water.
- Damage caused by lightning.
- Damage caused by improper battery storage or battery handling.
- Damage caused by using a battery that is not a Husqvarna original battery.
- Damage caused by not using Husqvarna original spare parts and accessories, such as blades and installation material.
- Damage to the loop wire.
- Damage caused by non-authorized changing or tampering with the product or its power supply.

The blades and wheels are seen as disposable and are not covered by the guarantee.

If an error occurs with your Husqvarna robotic lawnmower, please contact Husqvarna customer service for further instructions. Please have the receipt and the robotic lawnmower's serial number at hand when contacting Husqvarna customer service.

10 EC Declaration of Conformity

10.1 EC Declaration of Conformity

Husqvarna AB, SE-561 82 Huskvarna, Sweden, tel: +46-36-146500, declares that the Robotic lawnmowers **HUSQVARNA AUTOMOWER® 105** with serial numbers dating 2017 week 39 and onwards (the year and week is clearly stated on the rating plate, followed by the serial number), comply with the requirements of the COUNCIL'S DIRECTIVE:

- Directive "relating to machinery" **2006/42/EC**.
 - Particular requirements for robotic battery powered electrical lawnmowers **EN 50636-2-107: 2015**
 - Electromagnetic fields **EN 62233: 2008**.
- Directive on "restriction of use of certain hazardous substances" **2011/65/EU**.
 - The following standard is applied: **EN 50581:2012**
- Directive "relating to noise emissions from outdoor equipment" **2000/14/EC**. See also *Technical data on page 44* for information regarding noise emissions and the cutting width.

For Husqvarna Automower 105 (certificate 01/901/176):

The notified body 0404, SMP Svensk Maskinprovning AB, Fyrisborgsgatan 3, SE-754 50 Uppsala, Sweden, has issued a report regarding the assessment of conformity according to annex VI to the Council's Directive of May 8, 2000 "relating to noise emissions into the environment" 2000/14/EC. The certificate is numbered: 01/901/176 for HUSQVARNA AUTOMOWER® 105

- Directive "relating to radio equipment" **2014/53/EU**. Type examination certificate is issued for examination to Directive 2014/53/EU. Type examination certificate number for Husqvarna Automower 105 is SC1110-17. The following standards have been applied:

- **ETSI EN 303 447 V1.1.1**

Electromagnetic compatibility:

- **ETSI EN 301 489-1 V2.2.0**
- **EN 61000-6-1:2007**
- **EN 61000-6-3:2007/A1:2011**

Huskvarna, 15 September 2017



Lars Roos

Global R&D Director, Electric category

(Authorized representative for Husqvarna AB and responsible for technical documentation.)



Husqvarna[®]

AUTOMOWER[®] is a trademark owned by Husqvarna AB.
Copyright[©] 2018 HUSQVARNA. All rights reserved.

www.husqvarna.com

Original instructions

1140541-26



2018-06-05