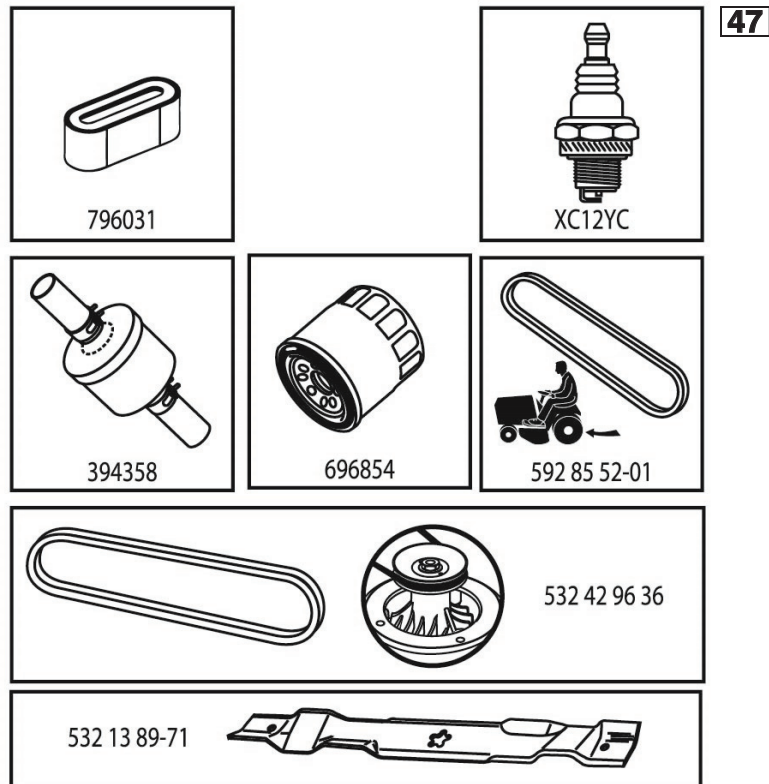


ILLUSTRATED PARTS LIST

MODEL NO. 96041041000

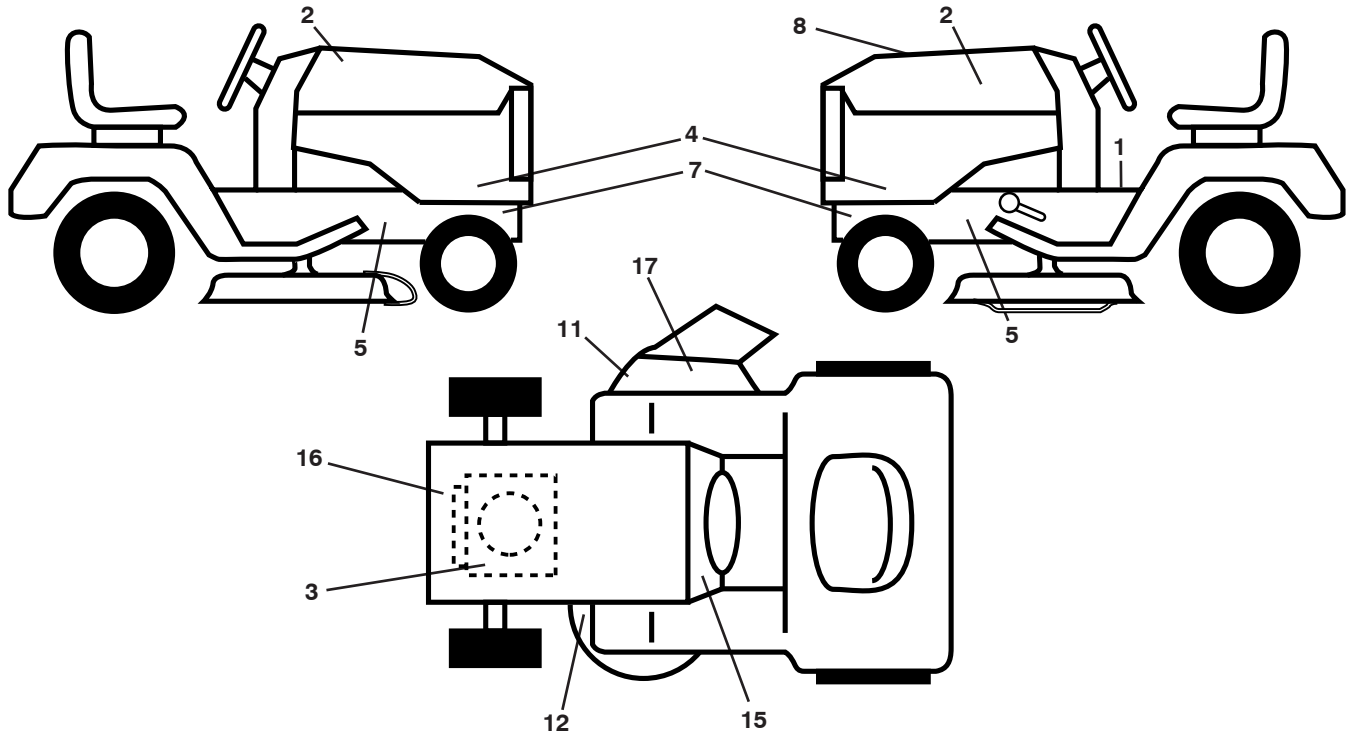
CUSTOMER CATALOG NO. TS 142L

PRODUCT NO. 960 41 04-10



592781001

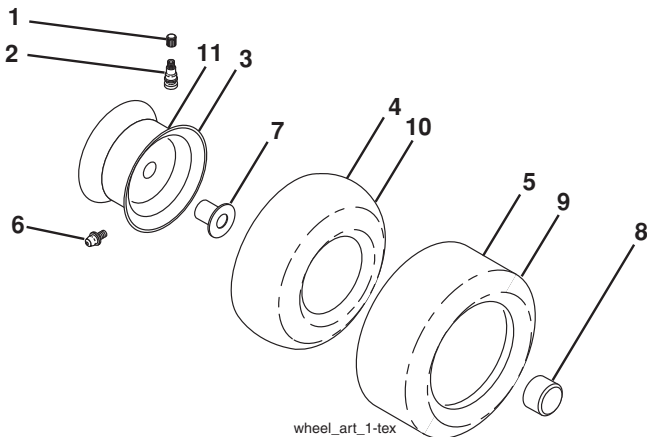
**TRACTOR - - MODEL NO. TS 142L (96041041000), PRODUCT NO. 960 41 04-10
DECALS 27**



KEY NO.	PART NO.	DESCRIPTION
1	586 35 06-01	Decal, Operators
2	501 13 14-01	Decal, Hood
3	581 57 97-01	Decal, Warning Eng. Symbols
4	592 80 23-01	Decal, Side Panel
5	581 57 96-01	Decal, Chassis Hot Muffler
7	581 57 98-01	Decal, Warning Ser./Fire
8	592 78 10-01	Decal, Rpl.
11	581 57 92-01	Decal, Warning
12	581 58 00-01	Decal, Mower V-Belt Schematic
15	586 06 62-01	Decal, Snowflake

KEY NO.	PART NO.	DESCRIPTION
16	587 73 12-01	Decal, Eng. BS
17	584 90 46-01	Decal, Deflect. Warning
--	581 72 46-01	Decal, Drawbar Load Limit
--	581 72 48-01	Decal, Bypass
--	532 43 96-81	Pad, Footrest, LH
--	532 43 99-66	Pad, Footrest, RH
--	115 92 75-40	Manual Oper. Euro
--	115 92 76-50	Manual Oper. Scan
--	115 92 77-20	Manual Oper. Ebloc
--	115 92 78-30	Manual Oper. Baltic

WHEELS AND TIRES



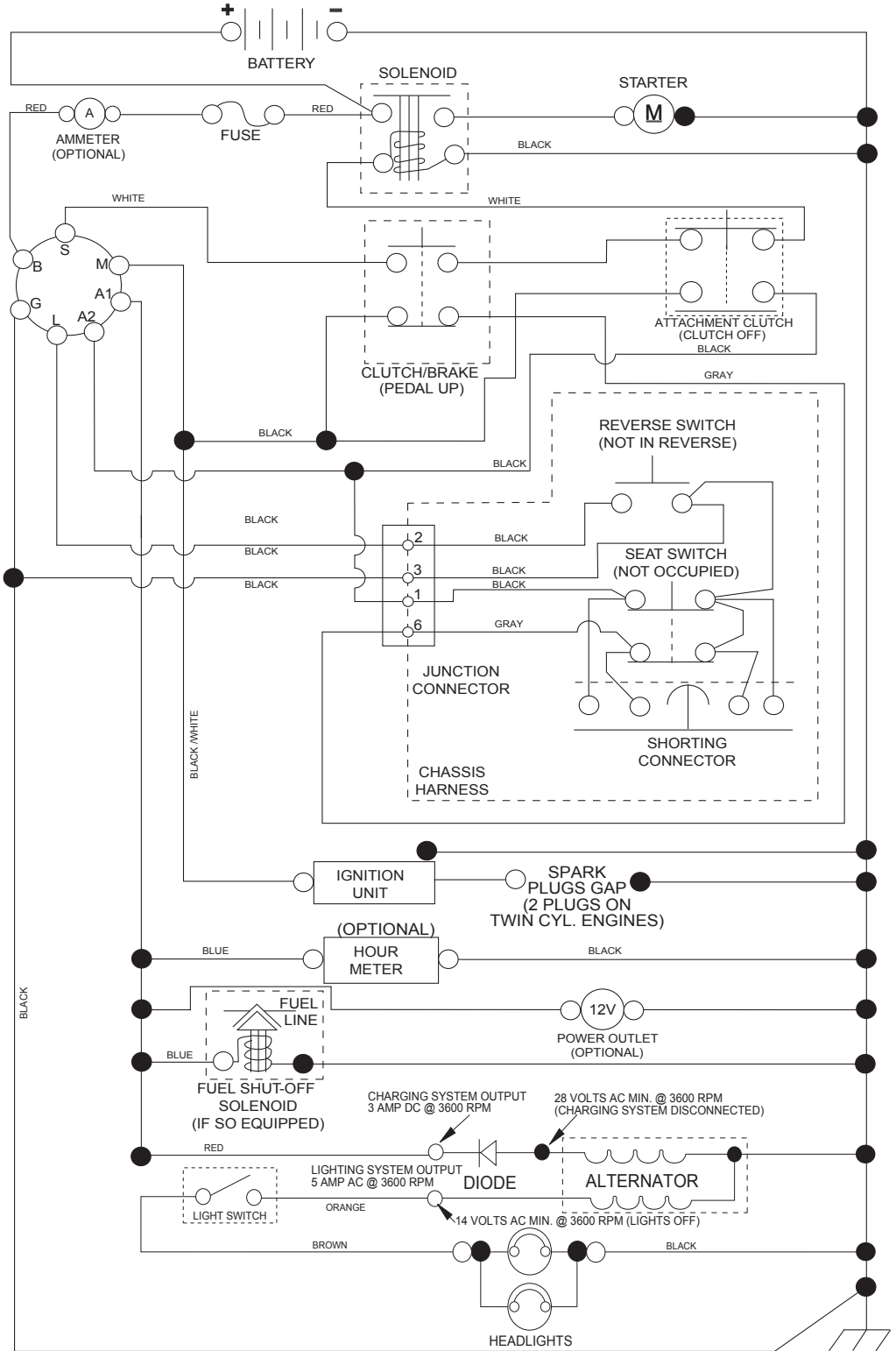
KEY NO.	PART NO.	DESCRIPTION
1	532 05 91-92	Cap Valve Tire
2	532 06 51-39	Stem Valve
3	532 13 83-36	Rim Asm. 6" Front
4	532 05 99-04	Tube Front (Service Item Only)
5	532 10 62-22	Tire Front 15 x 6-6
6	532 00 02-78	Fitting Grease (Front Wheel Only)
7	532 00 90-40	Bearing Flange (Front Wheel Only)
8	532 17 50-39	Cap Axle Blk. 1 50 x 1 00
9	532 42 05-31	Tire Rear 18 x 9.5-8
10	532 00 71-52	Tube Rear (Service Item Only)
11	532 13 83-37	Rim Asm. 8" Rear
--	532 14 43-34	Sealant, Tire (10 oz. Tube)

NOTE: All component dimensions given in U.S. inches
1 inch = 25.4 mm

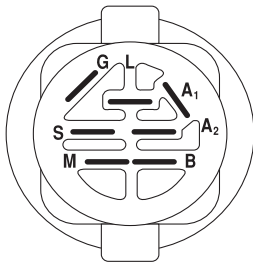
TRACTOR - - MODEL NO. TS 142L (96041041000), PRODUCT NO. 960 41 04-10

SCHEMATIC 38

SCH11

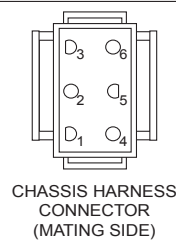


NOTE
YOUR TRACTOR IS EQUIPPED WITH A SPECIAL ALTERNATOR SYSTEM. THE LIGHTS ARE NOT CONNECTED TO THE BATTERY, BUT HAVE THEIR OWN ELECTRICAL SOURCE. BECAUSE OF THIS, THE BRIGHTNESS OF THE LIGHTS WILL CHANGE WITH ENGINE SPEED. AT IDLE THE LIGHTS WILL DIM. AS THE ENGINE IS SPEEDED UP, THE LIGHTS WILL BECOME THEIR BRIGHTEST.

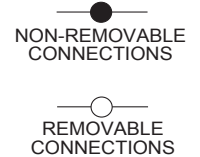


IGNITION SWITCH

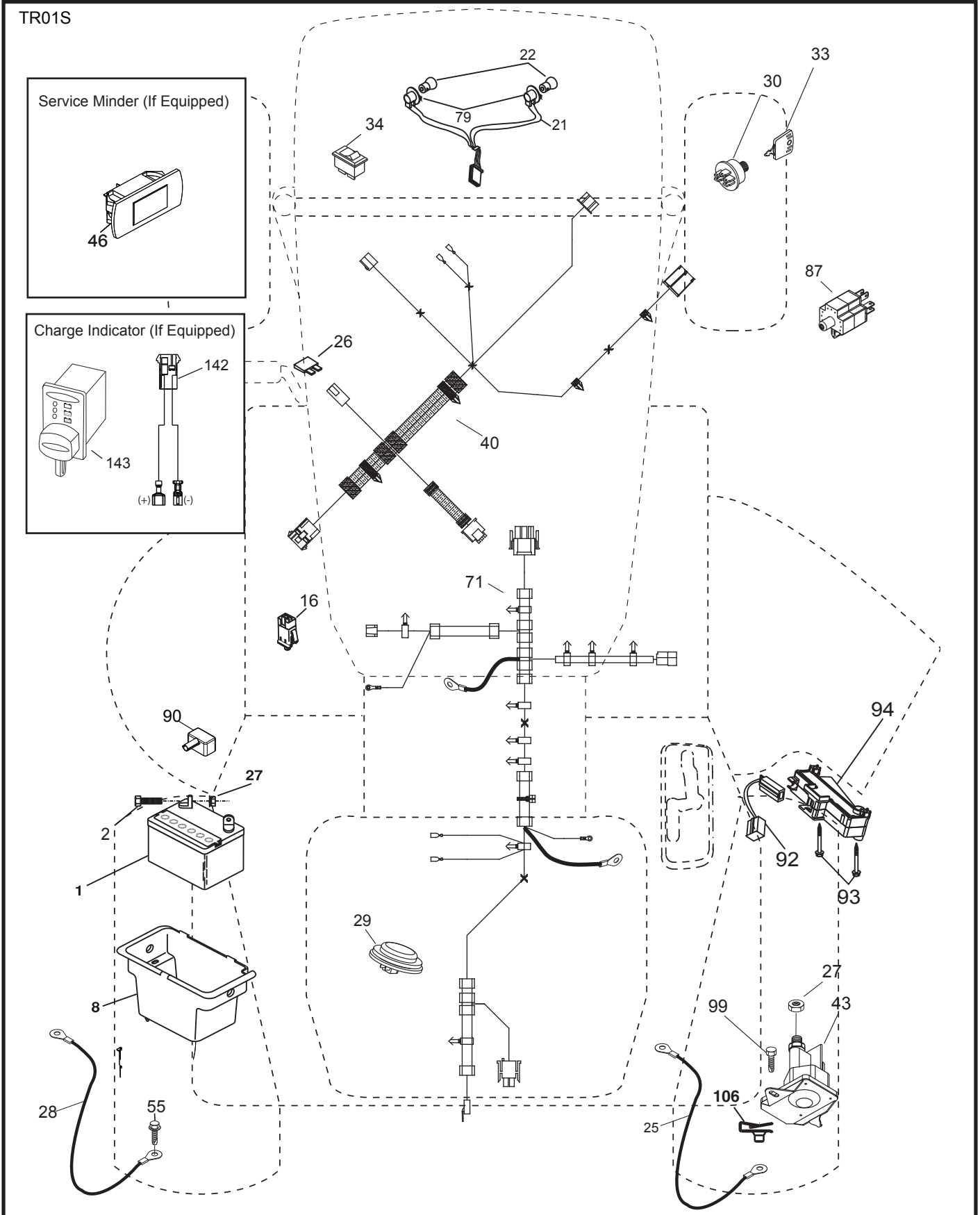
POSITION	CIRCUIT	"MAKE"
OFF	M+G+A1	
RUN/OVERRIDE	B+A1	
RUN	B+A1	L+A2
START	B + S + A1	



WIRING INSULATED CLIPS
NOTE: IF WIRING INSULATED CLIPS WERE REMOVED FOR SERVICING OF UNIT, THEY SHOULD BE RE-INSTALLED TO PROPERLY SECURE YOUR WIRING.



TRACTOR - - MODEL NO. TS 142L (96041041000), PRODUCT NO. 960 41 04-10
ELECTRICAL **32**

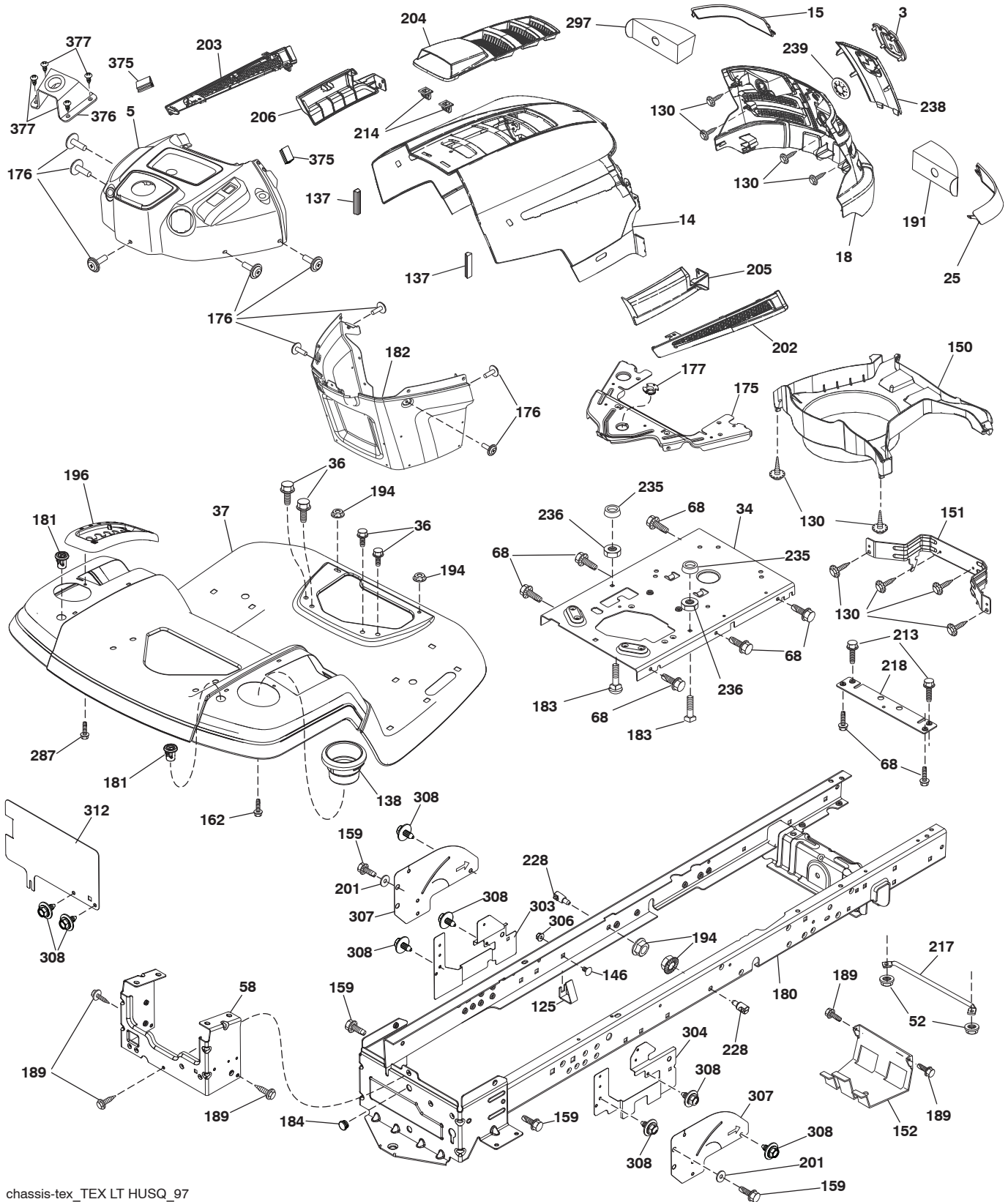


**TRACTOR - - MODEL NO. TS 142L (96041041000), PRODUCT NO. 960 41 04-10
ELECTRICAL 32**

KEY NO.	PART NO.	DESCRIPTION
1	532 16 34-65	Battery
2	874 76 04-12	Bolt Hex Head 1/4-20 x 3/4
8	532 19 32-28	Box Battery
16	532 17 61-38	Switch Interlock Push-In
21	532 40 02-52	Harness Socket Light w/4152J
22	532 00 41-52	Bulb Light
25	581 49 80-01	Cable Starter
26	532 17 51-58	Fuse
27	596 13 36-01	Locknut Keps 1/4-20
28	532 42 16-86	Cable, Ground
29	532 40 15-45	Switch, Seat
30	532 19 33-50	Switch, Ign.
33	532 41 19-35	Key/Chain
34	532 11 07-12	Switch Light/Reset
40	585 55 52-01	Harness Ign. Dash
43	582 04 28-01	Solenoid
46	594 91 91-01	Hourmeter Delta
55	817 06 05-12	Screw Thdrol. 5/16-18 x 3/4 TYTT
71	501 13 37-01	Harness Chassis
79	532 17 52-42	Socket Asm. Bulb Twistlock
87	532 19 78-02	Switch Interlock Clutch Cable
90	532 43 53-95	Cover Terminal
92	532 19 66-15	Harness Pigtail
93	596 03 96-01	Bolt Hex 10-14 x 2-1/8
94	532 19 18-34	Module Reverse
99	817 67 04-12	Screw 1/4-20 x 3/4
106	532 17 48-14	Palnut 1/4 Lugs
142	583 85 78-01	Charge Port Pigtail
143	532 44 80-59	Charge Port

NOTE: All component dimensions given in U.S. inches
1 inch = 25.4 mm

TRACTOR - - MODEL NO. TS 142L (96041041000), PRODUCT NO. 960 41 04-10
CHASSIS AND ENCLOSURES 39



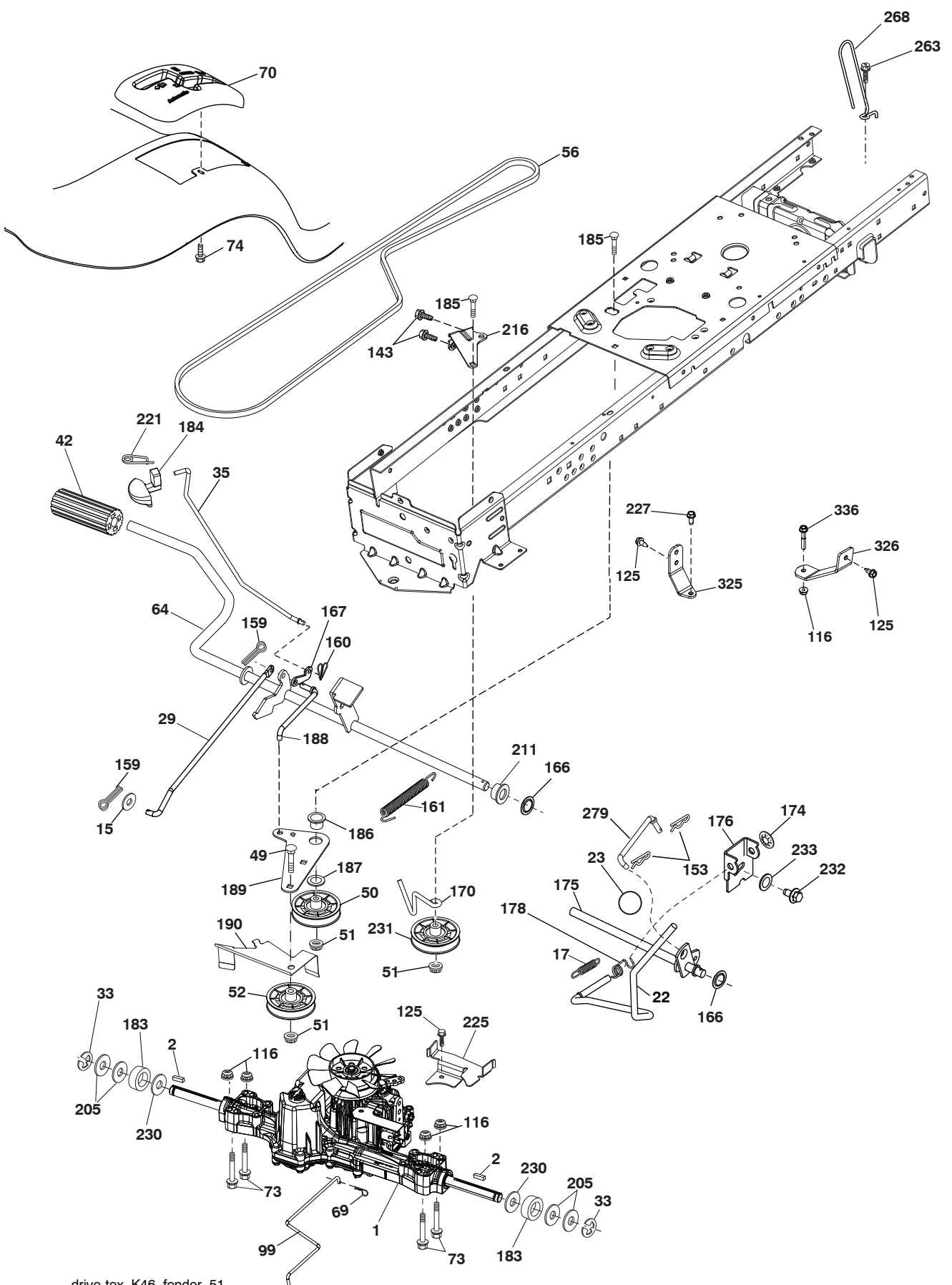
chassis-tex_TEX LT HUSQ_97

**TRACTOR - - MODEL NO. TS 142L (96041041000), PRODUCT NO. 960 41 04-10
CHASSIS AND ENCLOSURES 39**

KEY NO.	PART NO.	DESCRIPTION	KEY NO.	PART NO.	DESCRIPTION
3	581 05 63-01	Logo	196	532 43 96-47	Console Asm. Deck Lift
5	585 52 98-06	Dash	201	819 13 20-16	Washer 13/32 x 1-1/4 x 16 Ga.
14	532 44 12-67	Hood	202	532 44 13-42	Vent Side Hood RH
15	532 44 14-28	Lens LH	203	532 44 13-43	Vent Side Hood LH
18	532 44 13-68	Grille	204	532 44 13-75	Vent Top Hood
25	532 44 14-27	Lens RH	205	532 44 13-44	Skirt Side RH
34	580 91 08-01	Plate Engine	206	532 44 13-45	Skirt Side LH
36	817 06 05-12	Screw 5/16-18 x 3/4	213	596 03 05-01	Bolt Hex HD 5/16-18 unc x 3/4
37	532 44 12-66	Fender	214	532 19 91-45	Clip Retainer
52	596 04 05-01	Nut Lock Hex Prvl 5/16-18	217	532 40 91-67	Rod Pivot Hood
58	532 41 22-80	Drawbar Upper	218	532 19 63-95	X-Piece Hood Stop
68	596 03 07-01	Screw Hexagon 5/16-18 x 1/2	228	593 82 40-01	Stud W/D Anti-Rotation
125	581 68 48-01	Clip Fuel Line	235	596 56 42-01	Spacer Fender
130	596 32 17-01	Screw #10 x 0.750 BOS Thread	236	873 93 05-00	Nut Lock 5/16-18 unc
137	532 40 75-90	Bumper Dash	238	532 44 13-74	Trim
138	532 43 97-47	Cupholder	239	532 40 48-83	Clip Tinnerman
146	581 85 79-01	Bolt 3/8-16 x 5/8	287	817 60 04-06	Screw Hex WASHEAD 1/4-20 x 3/8
150	532 40 66-62	Air Duct	297	532 40 66-65	Insert Reflective LH
151	532 40 78-07	Bracket Pivot	303	589 00 81-02	Shield Chassis French LH
152	532 19 95-35	Shield Browning	304	589 00 90-02	Shield Chassis French RH
159	817 00 06-12	Screw 3/8 - 16 x 3/4	306	873 90 06-00	Nut Lock 3/8-16 unc
162	596 13 41-01	Screw Hex Tap 1/4-15 x 1/2	307	587 49 46-01	Shield Upper Pedal
175	532 19 94-72	Crossmember	308	532 17 18-77	Bolt 5/16-18 unc x 3/4
176	532 40 07-76	Screw 10-24 x 5/8	312	589 00 67-02	Shield Drawbar French
177	532 19 52-28	Bushing Steering	375	586 90 82-01	Dash Clip-On Bumper
180	532 41 50-63	Chassis	376	589 45 87-01	Mount Asm. Upper Steering
181	532 43 97-46	Bushing Mtg. Fender Cargo	377	589 45 53-01	Screw 10 x 1/2 ZN PL Phil Pan
182	532 40 71-76	Dash Lower			
183	595 30 57-01	Screw Hexagon 5/16-18 x 1-1/4			
184	587 55 41-01	Plug			
189	817 00 05-12	Screw 5/16-18 x 3/4			
191	532 41 65-01	Insert Reflective RH			
194	596 13 57-01	Nut Lock Prvl Torq 5/16-18 x .68			

NOTE: All component dimensions given in U.S. inches.
1 inch = 25.4 mm

TRACTOR - - MODEL NO. TS 142L (96041041000), PRODUCT NO. 960 41 04-10
 DRIVE **40**



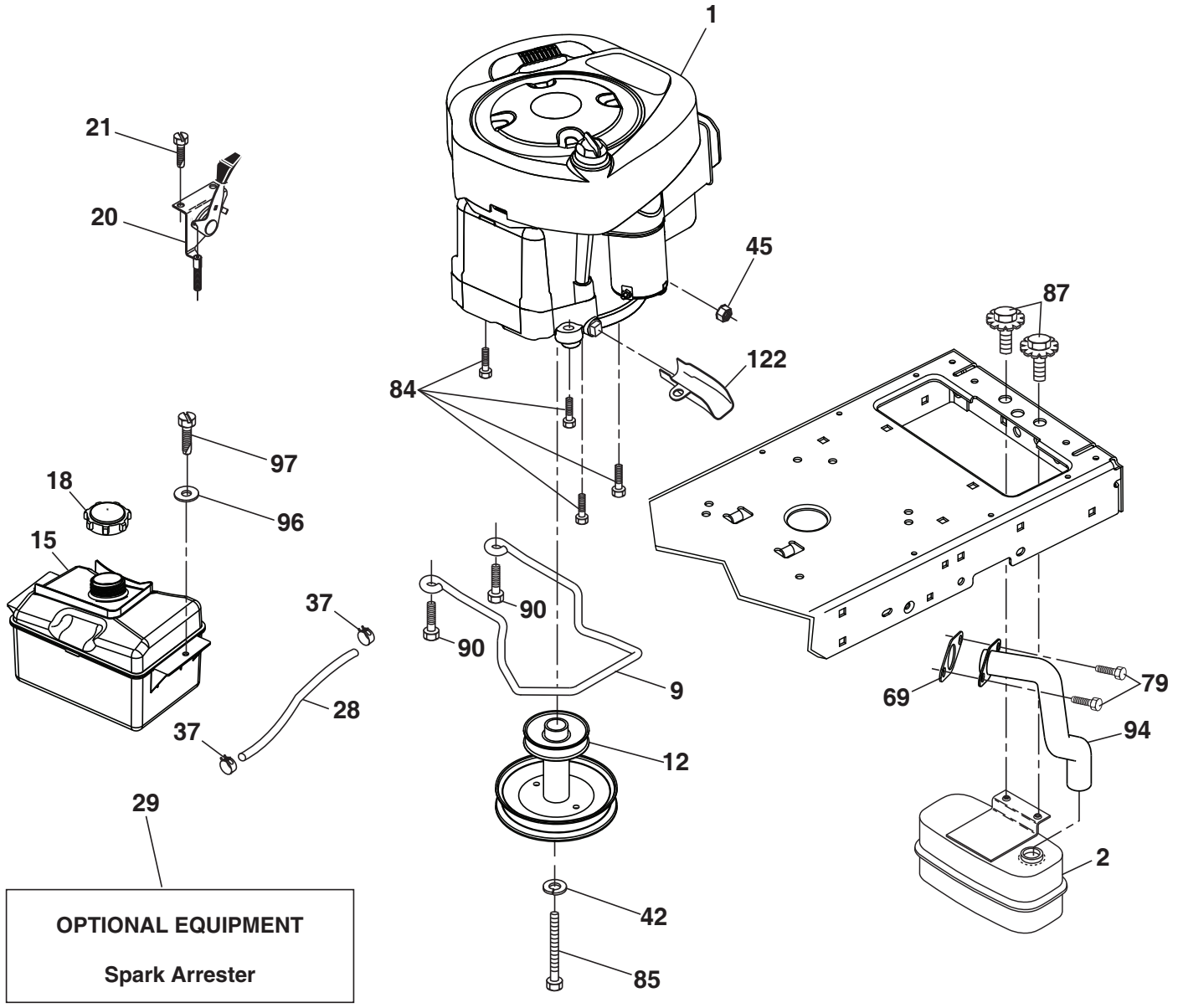
drive-tex_K46_fender_51

**TRACTOR - - MODEL NO. TS 142L (96041041000), PRODUCT NO. 960 41 04-10
DRIVE **40****

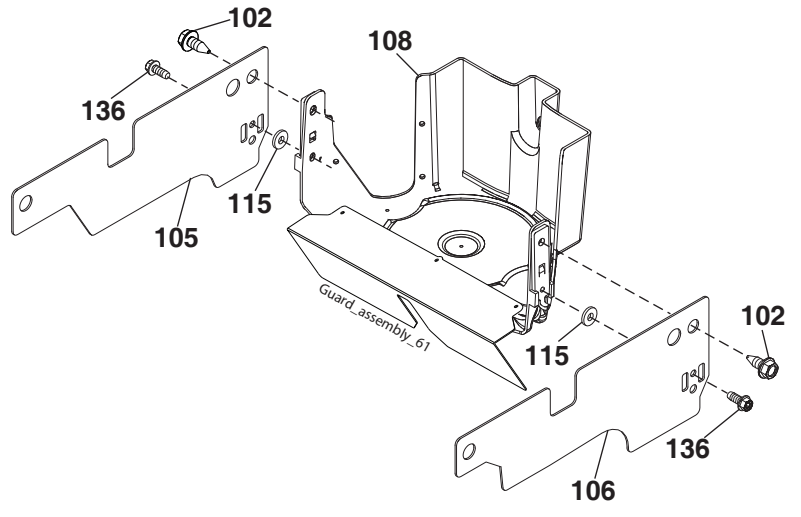
KEY NO.	PART NO.	DESCRIPTION	KEY NO.	PART NO.	DESCRIPTION
1	---	Transaxle Tufftorq K46 BA (448348) (Order parts from transaxle manufacturer.)	174	532 19 72-89	Nut Push
2	532 12 35-83	Key Square	175	532 40 85-39	Shaft Asm Shift
15	819 13 13-16	Washer 13/32 x 13/16 x 16 Ga.	176	532 19 62-14	Arm Clevis Rod Shift
17	532 41 36-78	Spring, Brake	178	532 19 74-56	Spring Shift
22	532 19 76-60	Rod Shift	183	532 13 70-57	Spacer Axle
23	532 14 08-45	Knob	184	532 41 14-84	Handle Parking Brake
29	532 40 38-06	Rod, Brake	185	872 11 06-22	Bolt
33	812 00 00-01	Ring E	186	532 19 43-21	Spacer Retainer
35	596 87 48-01	Rod, Brake, Park	187	596 13 55-01	Washer 13/32 x 2 Clear Zinc
42	532 00 88-83	Cover, Foot Pedal	188	582 21 70-01	Link Clutch Ground Drive
49	596 13 62-01	Bolt, Cup Head 3/8-16 x 3/4	189	532 19 43-17	Bellcrank Ground Drive
50	532 19 43-27	Pulley Idler Flat	190	532 19 43-18	Keeper Bellcrank Ground Drive
51	873 90 06-00	Lock Nut 3/8-16	205	532 12 17-48	Washer 25/32 x 1-5/8 x 16 Ga.
52	532 19 43-26	Idler V-Groove 910" Offset	211	532 19 62-12	Bushing
56	592 85 52-01	V-Belt, Drive	216	532 19 61-31	Bracket Pulley Idler
64	532 19 62-00	Shaft Asm. Pedal Brake Control	221	532 40 31-87	Retainer Spring Clip Handle
69	532 42 33-03	Hairpin Soft Zinc	225	532 40 33-19	Keeper Belt Trans
70	532 43 99-71	Console Shift	227	596 13 59-01	Bolt Hex 5/16-18 x 3/4 Clr Zinc
73	596 13 65-01	Bolt Hex 5/16-18 x 2 1/2	230	532 18 89-67	Washer Hardened
74	596 13 41-01	Screw Hex Tap 1/4-15 x 1/2	231	532 40 72-87	Idler V-Groove 1.688" Offset
99	582 40 45-01	Rod Spring Bypass	232	596 23 86-01	Bolt Hex 7/16-14 x 1 Clz
116	596 13 57-01	Nut Lock Prvl Torq 5/16-18 x .68	233	596 13 52-01	Washer Lock .047 x 1
125	817 00 05-12	Screw 5/16-18 x 3/4	263	817 00 06-12	Screw Hexwsh THDR 3/8-16 x 3/4
143	596 03 07-01	Screw Hexagon 5/16-18 x 12	268	596 88 78-01	Guard, Muffler
153	532 00 44-97	Retainer Spring 1"	279	532 41 31-50	Link Shift
159	596 02 95-01	Pin Cotter 1/8 x 3/4	325	586 43 12-02	Bracket Trq Stp LH
160	532 16 94-84	Retainer Clip	326	586 00 11-02	Bracket Trq Stp RH
161	532 10 57-09	Spring, Return, Clutch	336	587 25 96-02	Bolt 5/16-18 x 1-3/4
166	532 42 91-64	Nut Push .625			
167	532 40 52-57	Latch Brake Parking			
170	532 41 34-30	Keeper Belt Centerspan			

NOTE: All component dimensions given in U.S. inches
1 inch = 25.4 mm

**TRACTOR - - MODEL NO. TS 142L (96041041000), PRODUCT NO. 960 41 04-10
ENGINE 24**



engine-tex_BS_119



**TRACTOR - - MODEL NO. TS 142L (96041041000), PRODUCT NO. 960 41 04-10
ENGINE 24**

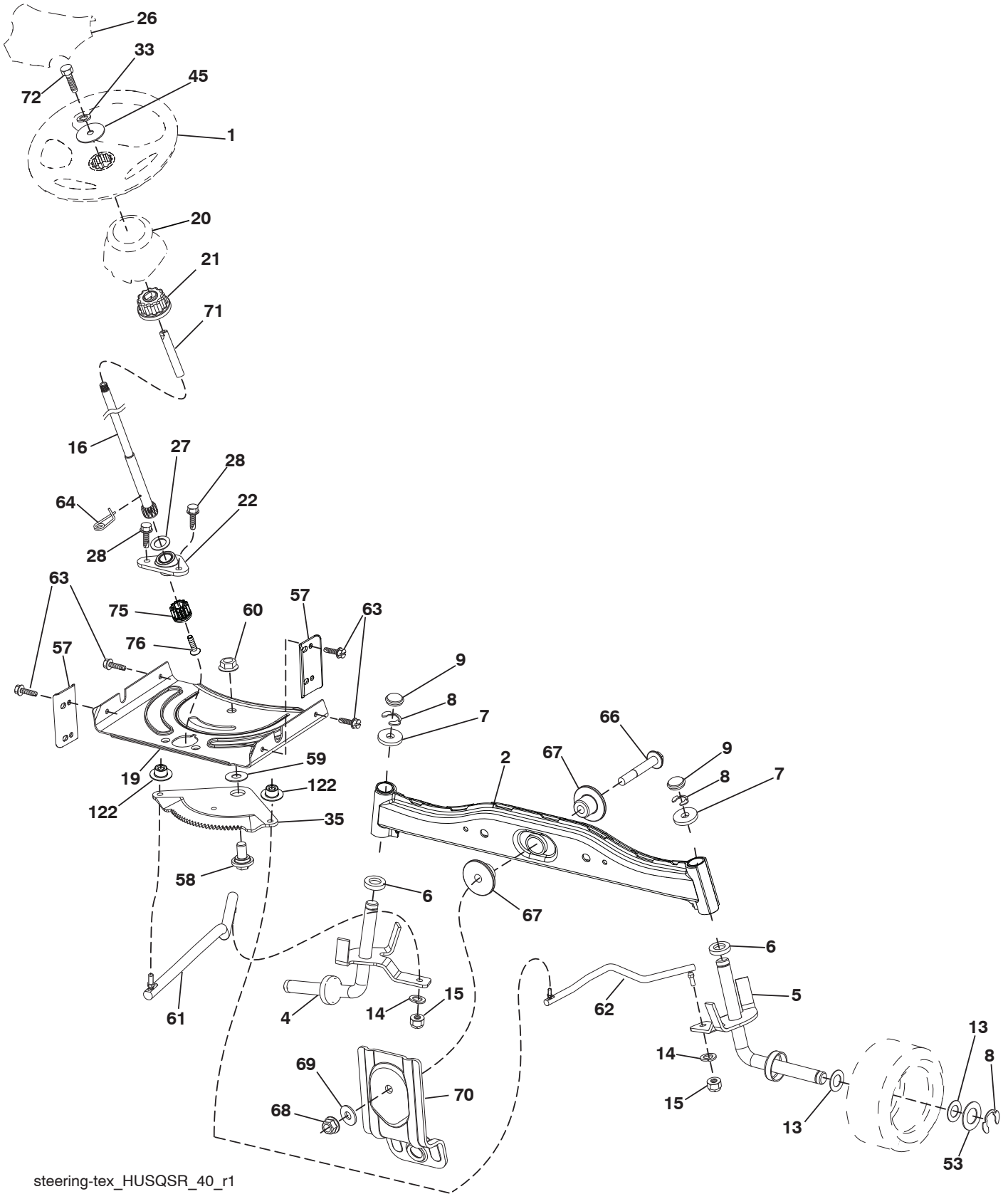
KEY NO.	PART NO.	DESCRIPTION
1	- - - - -	Engine Briggs Model No. 31R577-0027-B5 (597359601) (Order parts from engine manufacturer.)
2	532 18 86-55	Muffler
9	501 83 26-02	Keeper Belt Engine
12	586 47 85-01	Pulley Engine
15	581 28 99-01	Tank Fuel
18	532 43 02-20	Cap Asm
20	587 24 26-01	Control Throttle
21	596 32 17-01	Screw #10 x 0.750 BOS Thread
28	532 13 70-40	Fuel Line
29	532 13 71-80	Spark Arrester Kit
37	532 12 34-87	Clamp Hose
42	596 23 89-01	Washer SLW STD 7/16
45	596 13 36-01	Locknut Keps 1/4-20
69	532 16 52-91	Gasket
79	596 13 42-01	Screw Hex Socket 5/16-18 x 3/4
84	817 06 06-20	Screw 3/8-16 x 1/4
85	501 60 65-01	Bolt Hex 7/16-20 x 4 Gr. 5-1.5
87	532 17 18-77	Bolt 5/16-18 unc x 3/4
90	817 00 06-16	Screw 3/8-16 x 1
94	581 88 09-01	Exhaust Tube
96	596 13 53-01	Washer 9/32 x 7/8.
97	817 67 04-12	Screw 1/4-20 x 3/4
102	817 00 05-12	Screw
105	501 26 72-02	Shield Side LH
106	501 26 82-02	Shield Side RH
108	587 17 95-09	Cover Eng. Pulley w/SHLD 38", 42"
115	532 43 17-61	Palnut #10
122	532 42 19-22	Extension Drain Oil
136	596 43 40-01	Screw, #10 0.500, BOS

NOTE: All component dimensions given in U.S. inches
1 inch = 25.4 mm

Engine Power Rating Information

The gross power rating for individual gas engine models is labeled in accordance with SAE (Society of Automotive Engineers) code J1940 (Small Engine Power & Torque Rating Procedure), and rating performance has been obtained and corrected in accordance with SAE J1995 (Revision 2002-05). Torque values are derived at 3060 RPM; horsepower values are derived at 3600 RPM. Actual gross engine power will be lower and is affected by, among other things, ambient operating conditions and engine-to-engine variability. Given both the wide array of products on which engines are placed and the variety of environmental issues applicable to operating the equipment, the gas engine will not develop the rated gross power when used in a given piece of power equipment (actual "on-site" or net power). This difference is due to a variety of factors including, but not limited to, accessories (air cleaner, exhaust, charging, cooling, carburetor, fuel pump, etc.), application limitations, ambient operating conditions (temperature, humidity, altitude), and engine-to-engine variability. Due to manufacturing and capacity limitations, Briggs & Stratton may substitute an engine of higher rated power for this Series engine.

TRACTOR - - MODEL NO. TS 142L (96041041000), PRODUCT NO. 960 41 04-10
STEERING ASSEMBLY 41



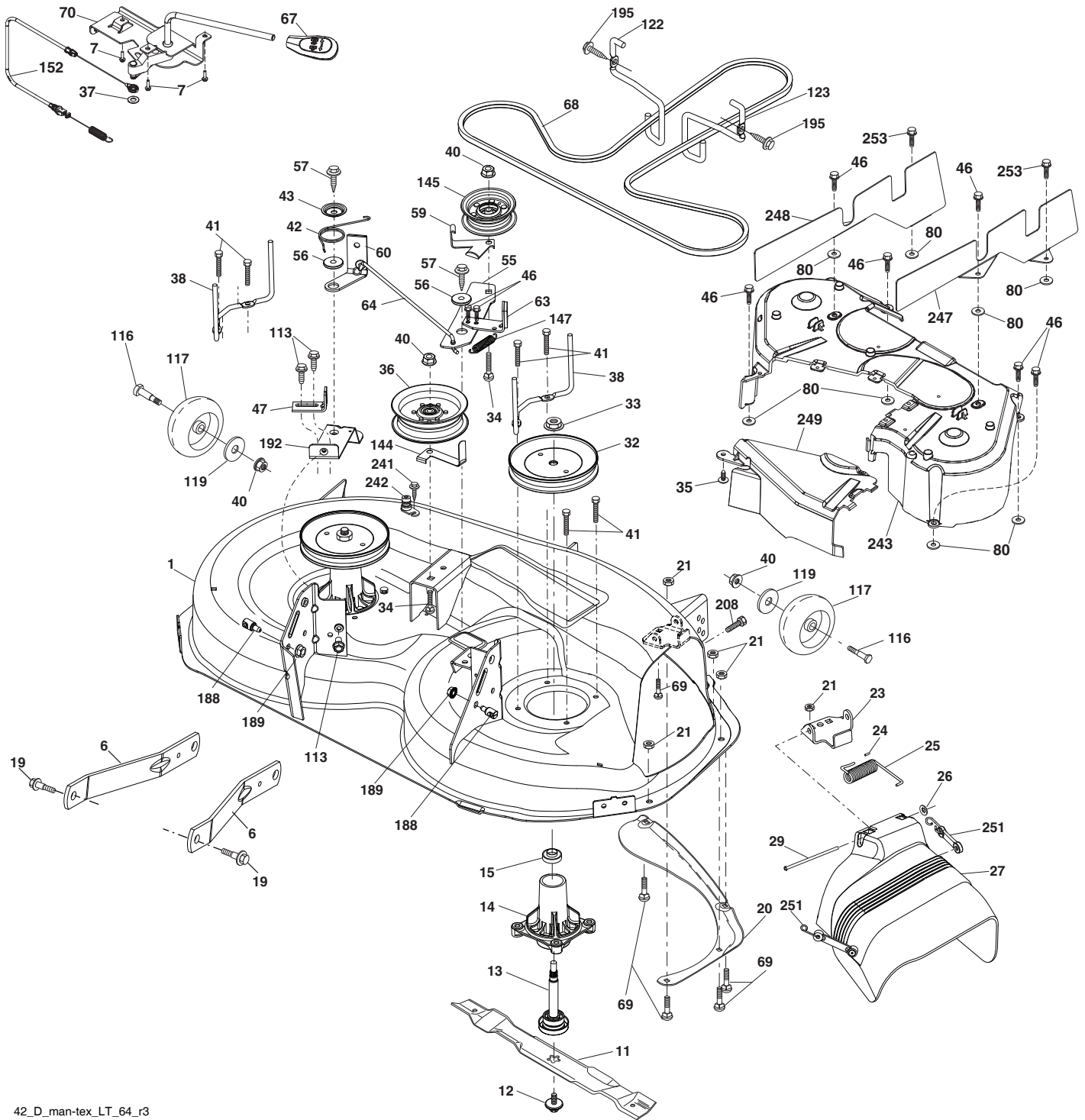
steering-tex_HUSQSR_40_r1

**TRACTOR - - MODEL NO. TS 142L (96041041000), PRODUCT NO. 960 41 04-10
STEERING ASSEMBLY 41**

KEY NO.	PART NO.	DESCRIPTION
1	532 43 97-40	Wheel, Steering Husq SR
2	532 19 59-68	Axle Cast Iron
4	532 40 30-87	Spindle Asm., LH
5	532 40 30-88	Spindle Asm., RH
6	532 00 62-66	Washer Thrust .75 x 1.230
7	532 12 17-48	Washer 25/32 x 1-5/8 x 16 Ga.
8	812 00 00-29	Ring, Clip #T5304-75
9	532 12 12-32	Cap, Spindle
13	532 12 17-49	Washer 25/32 x 1-1/4 x 16 Ga.
14	596 23 87-01	Washer, Spring Lock
15	873 54 06-00	Nut, Crown Lock 3/8-24 unf
16	585 86 92-02	Steering Shaft
19	532 19 47-29	Plate Steering
20	532 44 14-25	Boot, Steering
21	532 18 67-37	Adapter, Wheel Steering
22	585 02 98-02	Bearing
26	532 43 97-43	Insert, Wheel Steering Husq SR
27	819 21 16-16	Washer 21 x 32 x 1 x 16 Ga.
28	817 00 06-12	Screw 3/8-16 x 3/4
33	596 23 88-01	Washer Lock 5/16
35	532 19 47-32	Gear, Sector Plate
45	819 11 38-12	Washer 11/32 x 3/8 x 12 Ga.
53	532 18 89-67	Washer Hardened .793 x 1.637 x .060
57	532 40 74-65	Bracket Upstop
58	532 19 47-47	Bolt Shoulder Sector Pivot CFM
59	532 19 47-48	Washer Thrust Sector Steering
60	873 97 10-00	Nut Flange Lock 5/8-11
61	532 19 47-40	Draglink, LH
62	532 19 47-41	Draglink, RH
63	817 00 05-12	Screw 5/16-18 x 3/4
64	532 19 98-49	Retainer Clip Spring Steering
66	871 02 07-48	Bolt Hex Fghd. 7/16-14 x 3 Serr.
67	532 19 47-37	Bushing PM Front Axle
68	873 90 07-00	Nut Lock Flange 7/16-14 Gr. 5
69	532 19 91-62	Washer 1.5 x .505 x .118
70	585 33 88-01	Bracket Deck Susp. Front
71	532 19 07-52	Shaft Extension Steering
72	532 42 89-82	Bolt Fin Hx 5/16-18 x 4 w/Patch
75	580 68 37-01	Pinion
76	580 68 36-01	Screw Head Sock
122	532 44 49-62	Cap Gear Sector

NOTE: All component dimensions given in U.S. inches
1 inch = 25.4 mm

TRACTOR - - MODEL NO. TS 142L (96041041000), PRODUCT NO. 960 41 04-10
MOWER DECK **44**



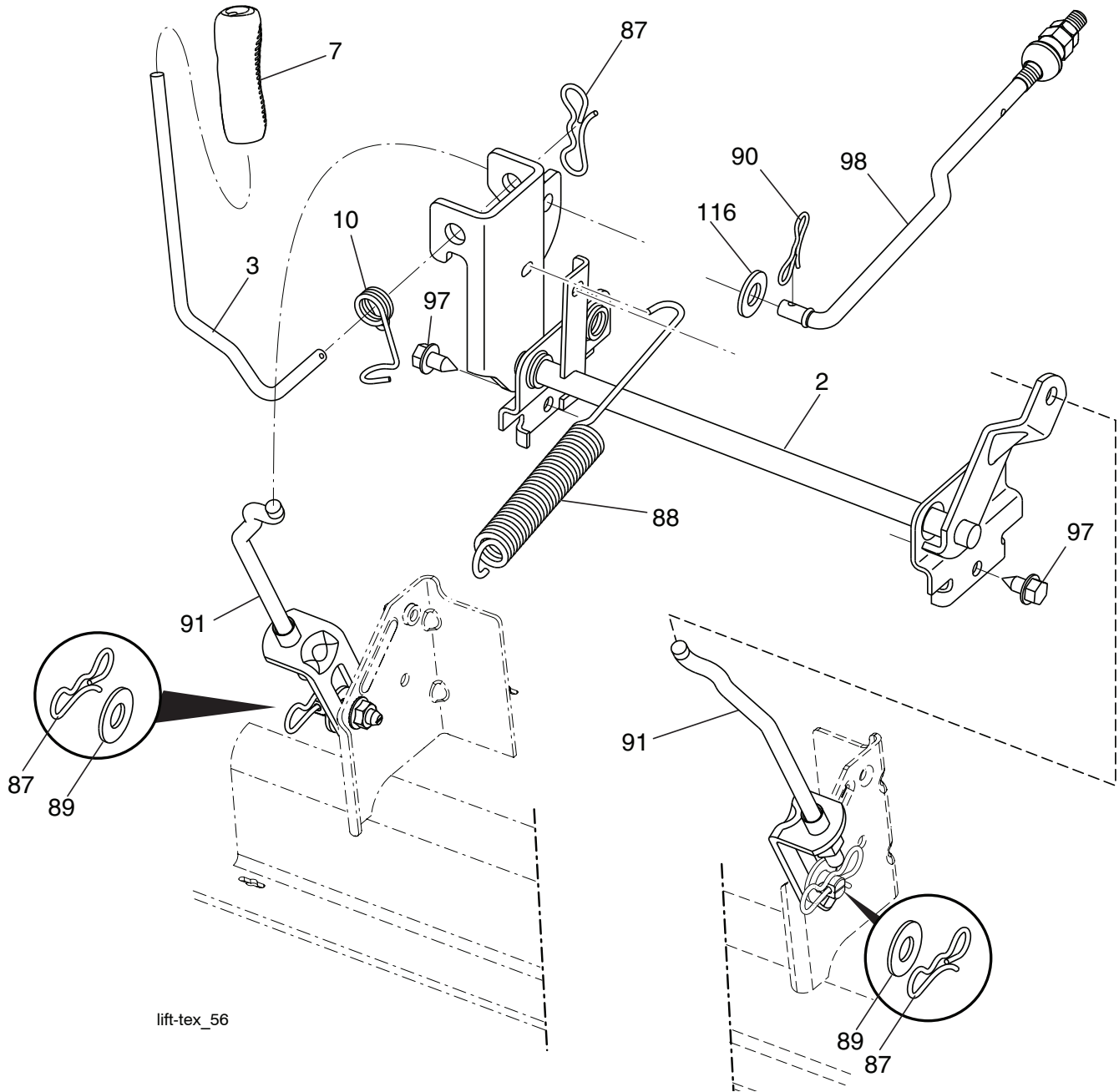
42_D_man-tex_LT_64_r3

**TRACTOR - - MODEL NO. TS 142L (96041041000), PRODUCT NO. 960 41 04-10
MOWER DECK 44**

KEY NO.	PART NO.	DESCRIPTION	KEY NO.	PART NO.	DESCRIPTION
1	532 43 96-58	Kit Svc Weldment	67	532 40 30-12	Handle, Clutch Cable
6	532 19 51-86	Arm Suspension	68	532 42 96-36	V-Belt
7	594 91 91-01	Screw #10 x 0.750 BOS Thread	69	596 13 64-01	Bolt Cup Head 5/16-18 x 5/8
11	532 13 89-71	Blade, 42" Hi-Lift (For bagging or discharge)	70	532 40 12-46	Clutch Asm. Manual
12	584 30 93-01	Screw 7/16-20 x 1 Hx	80	532 42 30-62	Palnut 1/4
13	587 25 65-01	Shaft Assembly, Mandrel	113	817 00 05-10	Screw 5/16-18
14	532 18 72-81	Housing, Mandrel	116	532 00 48-98	Bolt Shoulder "A" 2.41 "B" 1.66
15	585 32 39-01	Bearing, Ball, Mandrel	117	589 52 74-01	Wheel Guage
19	532 19 65-39	Bolt, Shoulder	119	596 13 49-01	Washer Plain 3/8 x 7/8
20	532 15 97-70	Baffle, Vortex	122	532 19 72-58	Keeper Belt Eng. LH
21	596 04 05-01	Nut Lock Hex Prvl 5/16-18	123	532 19 72-59	Keeper Belt Eng. RH
23	532 19 25-57	Bracket, Deflector	144	532 19 92-04	Keeper Belt
24	532 10 53-04	Cap, Sleeve	145	532 19 31-97	Pulley Idler Primary
25	532 19 70-26	Spring, Torsion, Deflector	147	532 40 19-71	Spring Return
26	532 11 04-52	Nut, Push	152	584 24 35-01	Cable Clutch Manual w/Spr.
27	532 41 14-85	Shield, Deflector	188	593 82 40-01	Stud W/D Anti-rotation
29	595 29 70-01	Rod, Hinge	189	596 13 57-01	Nut Lock Prvl Torq 5/16-18 x .68
32	532 19 74-73	Pulley, Mandrel	192	532 19 72-60	Bracket Brake Stand LH
33	532 40 02-34	Nut, Toplock, Flanged	195	817 00 06-12	Screw Hexwsh Thdr 3/8-16 x 3/4
34	596 13 61-01	Bolt Cup Head 3/8-16 x 1-1/2	208	817 67 06-08	Screw 3/8-16 x 1/2
35	532 13 38-35	Fastner Christmas	241	532 15 29-27	Screw #10-32.5. 3/8 Flange
36	532 19 73-79	Pulley, Idler 4.50 RAW	242	532 41 55-98	Port Washout
37	819 13 13-16	Washer 13/32 x 13/16 x 16 Ga.	243	532 43 23-94	Cover Assy
38	589 67 61-02	Keeper Belt Mandrel	247	532 43 02-61	Shield Deck RH Assy
40	873 90 06-00	Nut, Lock Flg. 3/8-16 unc	248	532 43 02-60	Shield Deck LH Assy
41	584 95 39-01	Bolt Hex Wshr	249	532 40 65-14	Cover Cable Clutch
42	532 19 84-10	Spring Torsion Brake	251	532 43 60-87	Kit Bungee
43	532 19 72-56	Spring Torsion Retainer	253	532 42 73-50	Rivet
46	532 13 77-29	Screw Thd Roll 1/4-20 x 5/8	--	587 25 33-01	Mandrel Assembly (Includes housing (key #14), shaft assembly (key #13), and bearing only (key #15) - pulley/nut/washer and blade bolt/washers not included)
47	532 19 72-50	Bracket Clutch Cable	--	588 62 21-01	Replacement Mower, Complete
55	532 43 71-10	Arm, Idler			
56	532 19 90-92	Spacer, Retainer			
57	817 00 06-16	Screw Hexwsh Thd 3/8-16 x 1			
59	532 14 10-43	Guard, Tuv Idler (94)			
60	532 19 72-61	Arm Brake Mower			
63	532 19 94-77	Arm Brake Mower			
64	532 19 99-18	Linkage Brake			

NOTE: All component dimensions given in U.S. inches
1 inch = 25.4 mm

TRACTOR - - MODEL NO. TS 142L (96041041000), PRODUCT NO. 960 41 04-10
MOWER LIFT 45

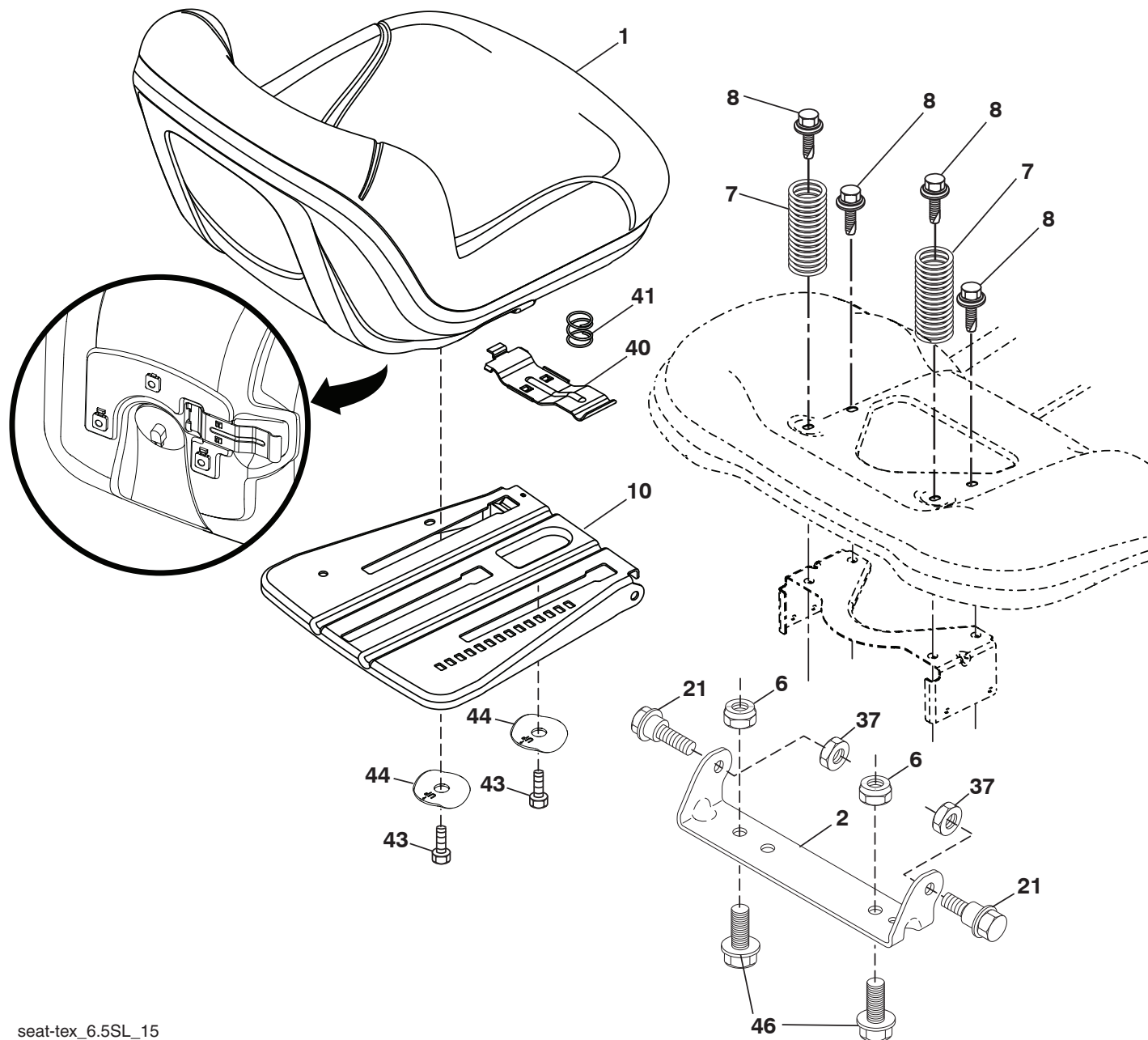


KEY NO.	PART NO.	DESCRIPTION
2	532 42 20-27	Shaft Asm., Lift
3	532 19 52-31	Lever Asm., Lift RH
7	580 96 23-01	Grip, Lever
10	532 19 63-14	Spring Torsion
87	532 19 42-09	Pin Cotter 7/16 Bow Tie Lock
88	532 41-07-10	Spring Lift Assist
89	819 19 19-12	Washer Clear Zinc
90	532 19 42-08	Pin Cotter 5/16 Bow Tie Lock

KEY NO.	PART NO.	DESCRIPTION
91	532 19 51-81	Link Lift Susp. Mower Rear
97	817 00 06-12	Screw 3/8-16 x .75 Smgml. Tap/R.Z
98	532 19 52-70	Link Lift Susp. Front Mower
116	594 97 65-01	Washer 15/32 x 15/16 x .065

NOTE: All component dimensions given in U.S. inches
 1 inch = 25.4 mm

**TRACTOR - - MODEL NO. TS 142L (96041041000), PRODUCT NO. 960 41 04-10
SEAT ASSEMBLY 42**



seat-tex_6.5SL_15

KEY NO.	PART NO.	DESCRIPTION
1	532 43 98-19	Seat
2	532 18 01-66	Bracket Pivot Fender
6	873 80 06-00	Nut, Lock w/Ins. 3/8-16 unc
7	589 48 35-01	Spring, Seat Cprsn.
8	532 17 18-77	Bolt 5/16-18 unc x 3/4 w/Sems.
10	596 65 74-02	Pan, Seat
21	587 90 78-01	Bolt, Shoulder 5/16-18 x 5/8
37	873 80 05-00	Nut, Lock 5/16-18 unc
40	532 19 76-61	Handle

KEY NO.	PART NO.	DESCRIPTION
41	532 19 82-00	Spring
43	874 76 06-12	Bolt 3/8-16 unc x 3/4
44	501 05 18-01	Washer Winged 3/8 IG 1.5 OD
46	588 09 04-01	Bolt 3/8 - 16 x 1, 1.25

NOTE: All component dimensions given in U.S. inches
1 inch = 25.4 mm

