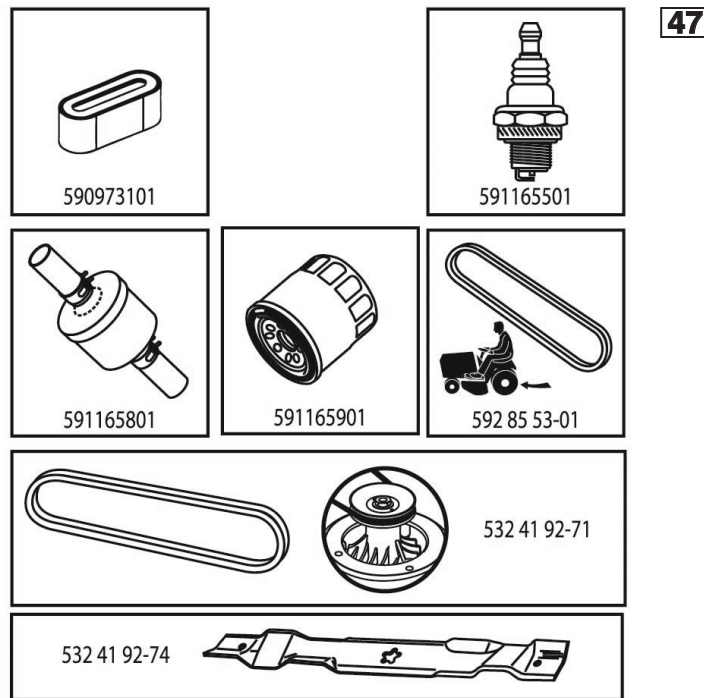


# ILLUSTRATED PARTS LIST

**MODEL NO. 96051018700**

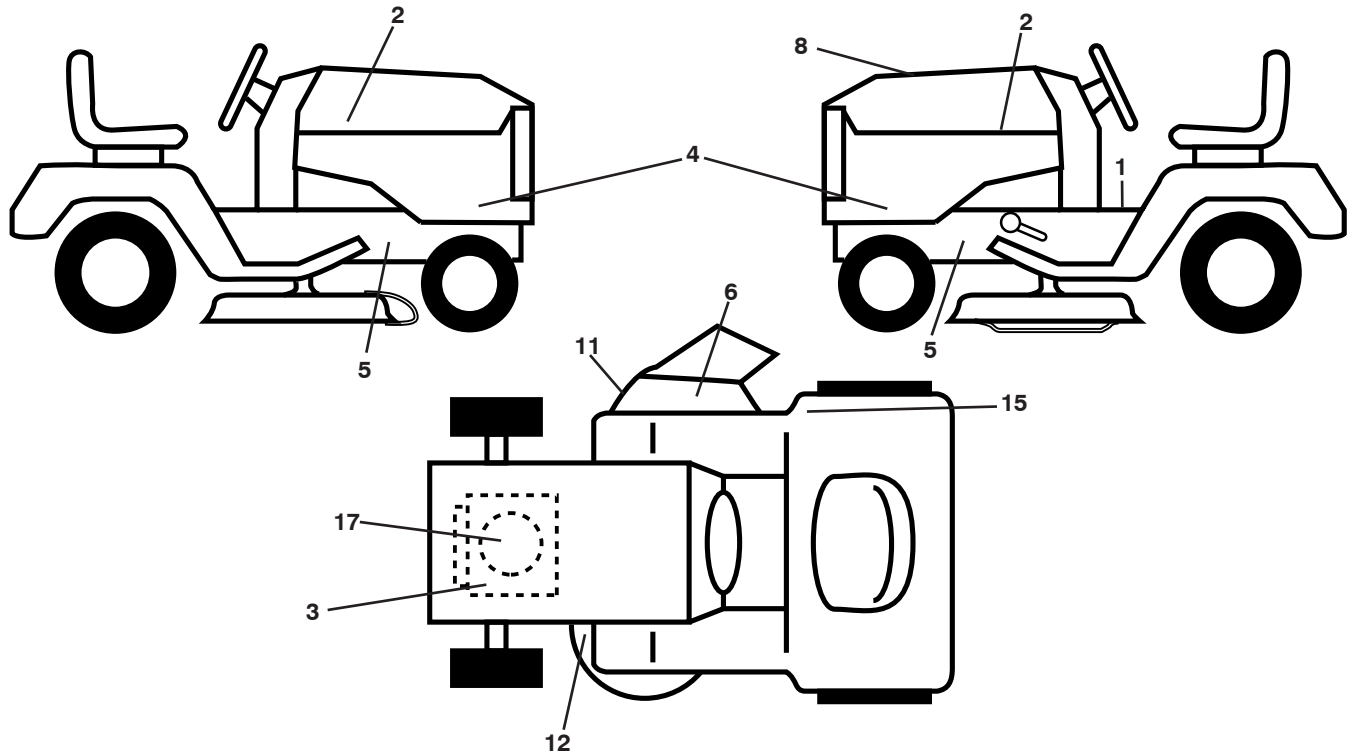
**CUSTOMER CATALOG NO. TC 130**

**PRODUCT NO. 960 51 01-87**



**597570701**

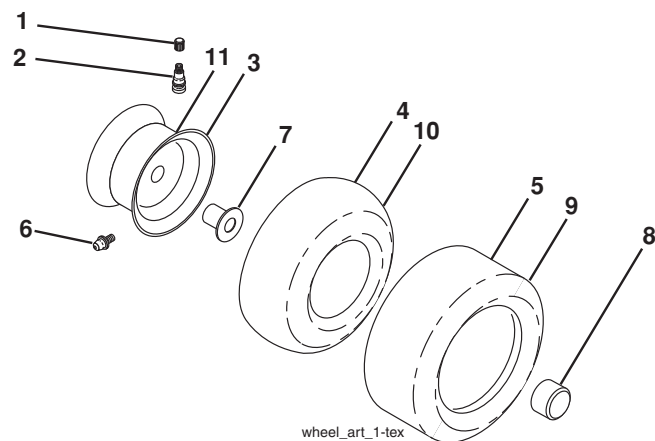
**TRACTOR - MODEL NO. TC 130 (96051018700), PRODUCT NO. 960 51 01-87  
DECALS 27**



KEY NO.	PART NO.	DESCRIPTION
1	586 04 73-02	Decal, Operators
2	501 13 14-01	Decal, Hood Logo
3	581 57 97-01	Decal, Warning Eng. Symbols
4	587 39 64-01	Decal, Hood Panel
5	581 57 96-01	Decal, Chassis Hot Muffler
6	584 90 46-01	Decal, Deck/Deflect. Warning
8	597 57 07-01	Decal, Rpl
11	581 57 94-01	Decal, Warning Deflect/Ctfingr

KEY NO.	PART NO.	DESCRIPTION
12	581 58 00-04	Decal, Mower V-Belt Schematic
15	501 08 26-01	Decal, ECM Australia
17	581 57 97-01	Decal, BS Engine
--	581 72 48-01	Decal, Bypass
--	532 44 14-09	Pad, Footrest, LH
--	532 44 14-10	Pad, Footrest, RH
--	114 13 43-28	Manual, Operator's English

**WHEELS AND TIRES**



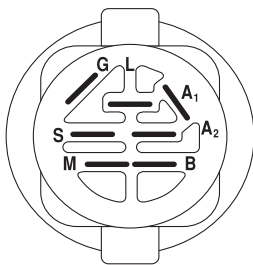
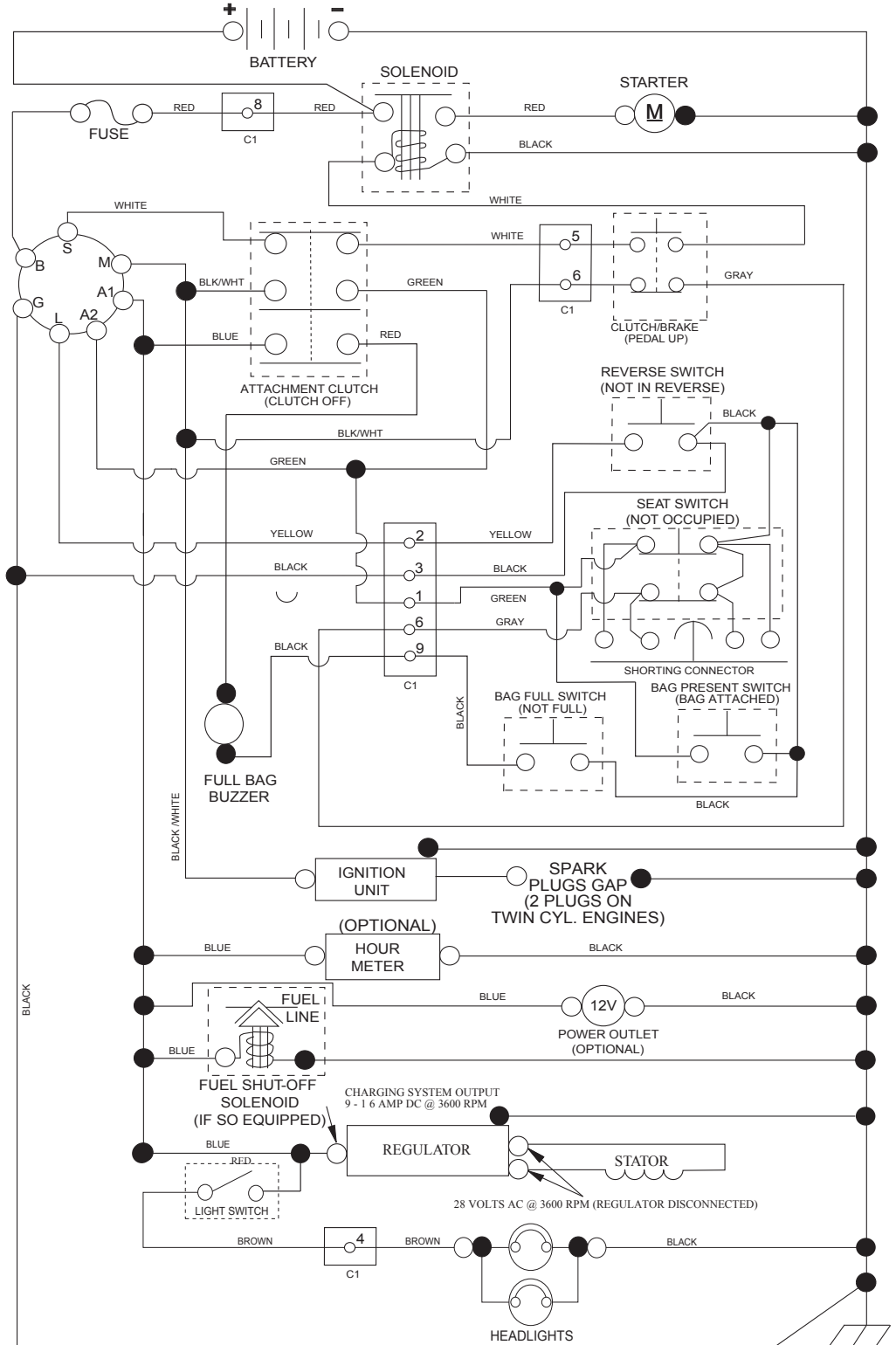
KEY NO.	PART NO.	DESCRIPTION
1	532 05 91-92	Cap Valve Tire
2	532 06 51-39	Stem Valve
3	532 42 52-61	Rim Asm 6 x 3.25 Front
4	532 42 16-52	TubeFront13x5-6(ServiceItemOnly)
5	532 12 34-10	Tire Front 13 x 5-6
6	532 00 02-78	Fitting Grease (Front Wheel Only)
7	532 00 90-40	Bearing Flange (Front Wheel Only)
8	532 17 50-39	Cap Axle Blk 1 50 x 1 00
9	532 10 62-30	Tire Rear 16 x 6.5-8
10	532 00 71-54	Tube Rear (Service Item Only)
11	532 42 52-62	Rim Asm 8 x 5.375 Rear
--	532 14 43-34	Sealant, Tire (10 oz. Tube)

**NOTE:** All component dimensions given in U.S. inches  
1 inch = 25.4 mm

# TRACTOR - MODEL NO. TC 130 (96051018700), PRODUCT NO. 960 51 01-87

## SCHEMATIC **38**

SCH26

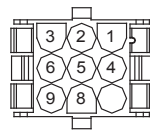


IGNITION SWITCH

POSITION	CIRCUIT	"MAKE"
OFF	M+G+A1	
RUN/OVERRIDE	B+A1	
RUN	B+A1	L+A2
START	B + S + A1	



CHASSIS HARNESS CONNECTOR (C1) (MATING SIDE)



DASH HARNESS CONNECTOR (C1) (MATING SIDE)

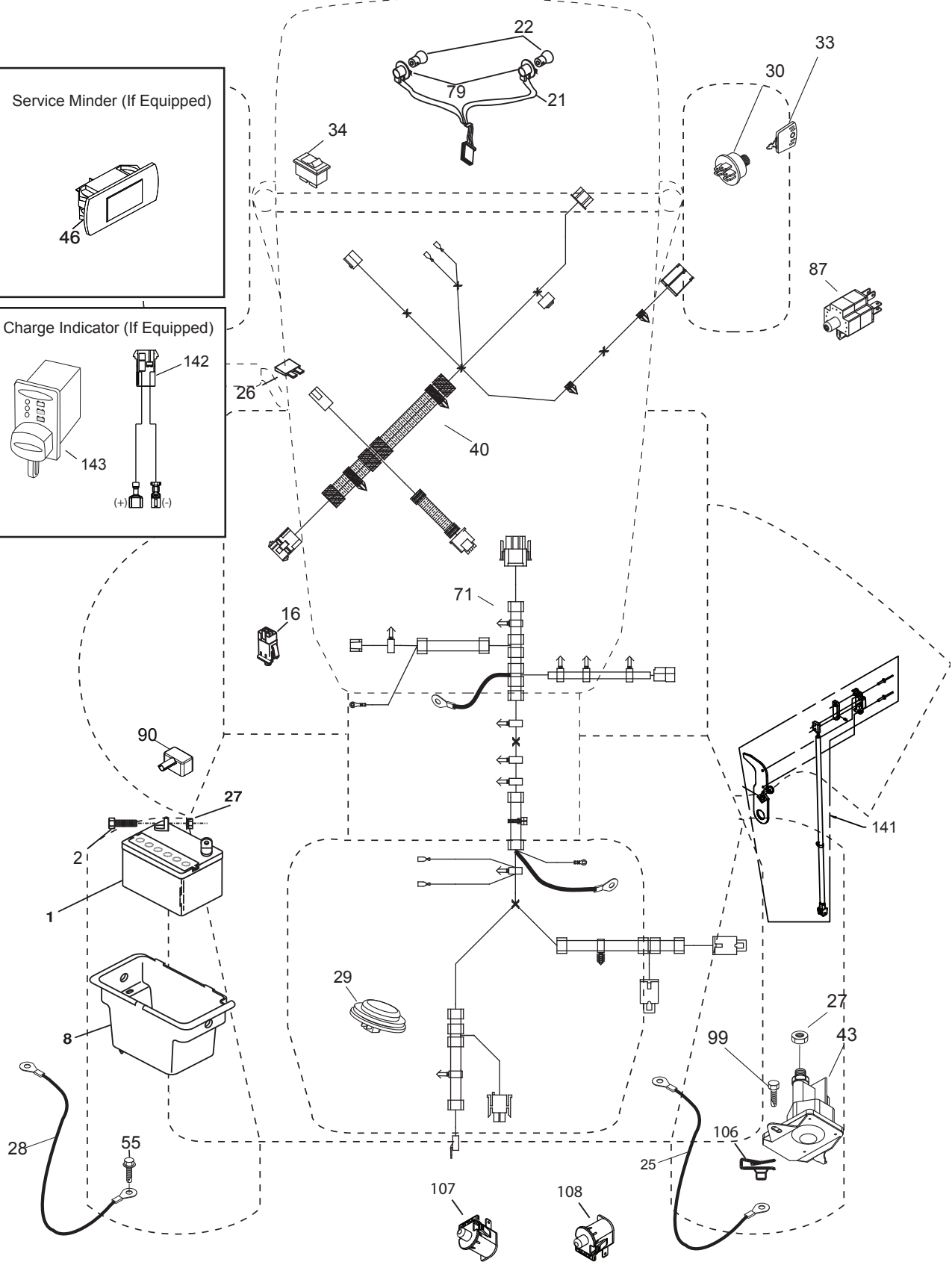
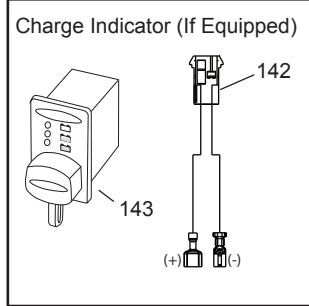
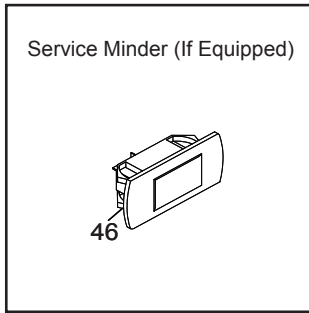
WIRING INSULATED CLIPS  
NOTE: IF WIRING INSULATED CLIPS WERE REMOVED FOR SERVICING OF UNIT, THEY SHOULD BE RE-INSTALLED TO PROPERLY SECURE YOUR WIRING.

●  
NON-REMOVABLE CONNECTIONS

○  
REMOVABLE CONNECTIONS

**TRACTOR - MODEL NO. TC 130 (96051018700), PRODUCT NO. 960 51 01-87**  
**ELECTRICAL 32**

S02S

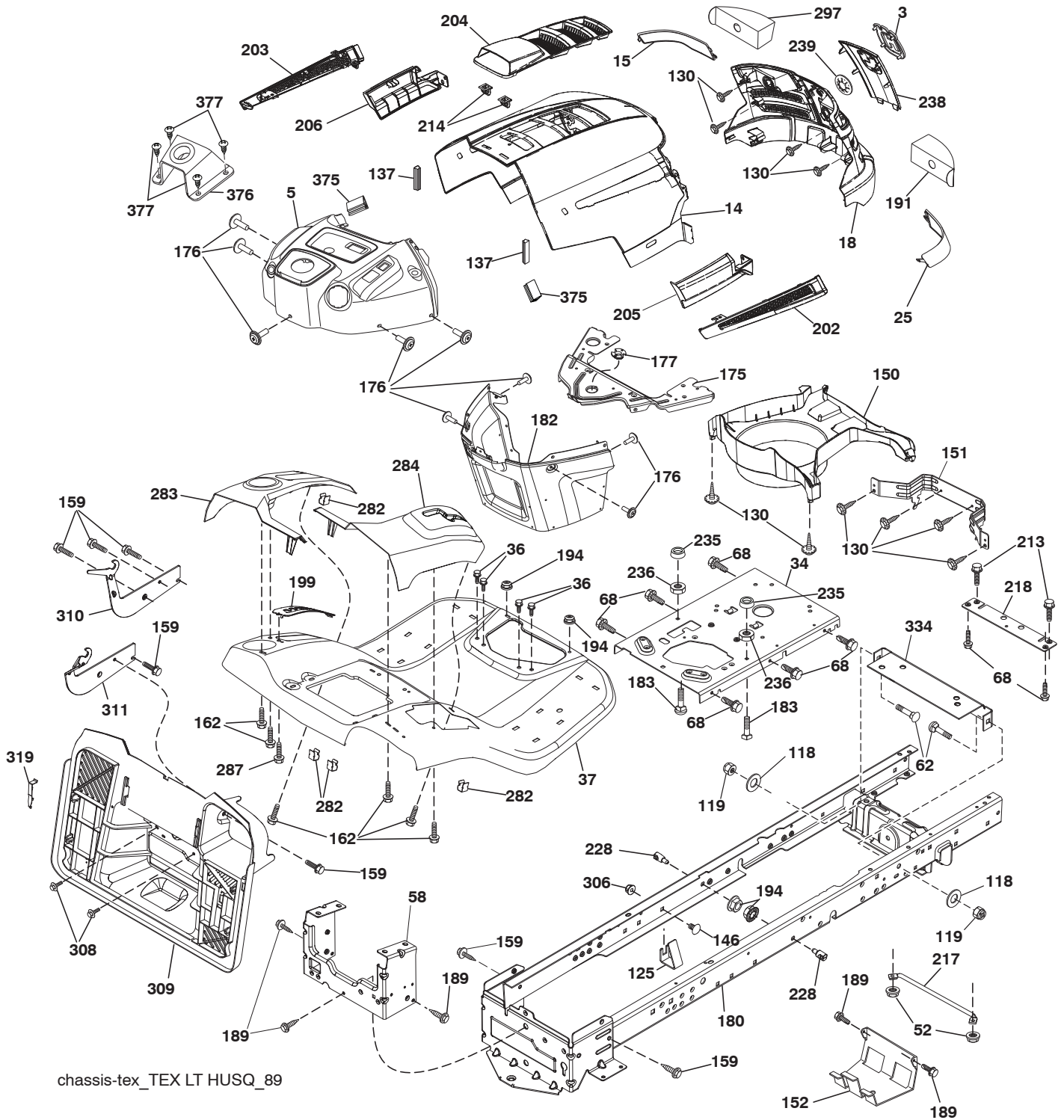


**TRACTOR - MODEL NO. TC 130 (96051018700), PRODUCT NO. 960 51 01-87  
ELECTRICAL 32**

<b>KEY NO.</b>	<b>PART NO.</b>	<b>DESCRIPTION</b>
1	532 16 34-65	Battery
2	874 76 04-12	Bolt Hex Head 1/4-20 x 3/4
8	532 41 97-91	Box Battery
16	532 17 61-38	Switch Interlock Push-In
21	532 40 02-52	Harness Socket Light w/4152J
22	532 00 41-52	Bulb Light
25	532 41 66-94	Cable Starter
26	532 17 51-58	Fuse
27	873 51 04-00	Nut Keps Hex 1/4-20 unc
28	532 42 16-86	Cable, Ground
29	532 40 15-45	Switch, Seat
30	532 19 33-50	Switch, Ign
33	532 41 19-35	Key/Chain
34	532 11 07-12	Switch Light/Reset
40	585 84 99-01	Harness Ign. Dash
43	582 04 28-01	Solenoid
46	594 91 91-01	Hourmeter.Delta.
55	817 06 05-12	Screw Thdrol 5/16-18 x 3/4 TYTT
71	501 13 34-01	Harness Ign. Chassis
79	532 17 52-42	Socket Asm. Bulb
87	532 42 10-60	Switch Railmount NO-NC-NC
90	532 43 53-95	Cover Terminal
99	817 67 04-12	Screw 1/4-20 x 3/4
106	532 17 48-14	Nut Speed 1/4-20
107	532 42 10-61	Switch Snapmount No #2
108	532 42 10-62	Switch Snapmount NC
141	532 41 69-77	Kit T2 ROS
142	583 85 78-01	Charge Port Pigtail
143	532 44 80-59	Charge Port

**NOTE:** All component dimensions given in U.S. inches  
1 inch = 25.4 mm

**TRACTOR - MODEL NO. TC 130 (96051018700), PRODUCT NO. 960 51 01-87**  
**CHASSIS AND ENCLOSURES 39**



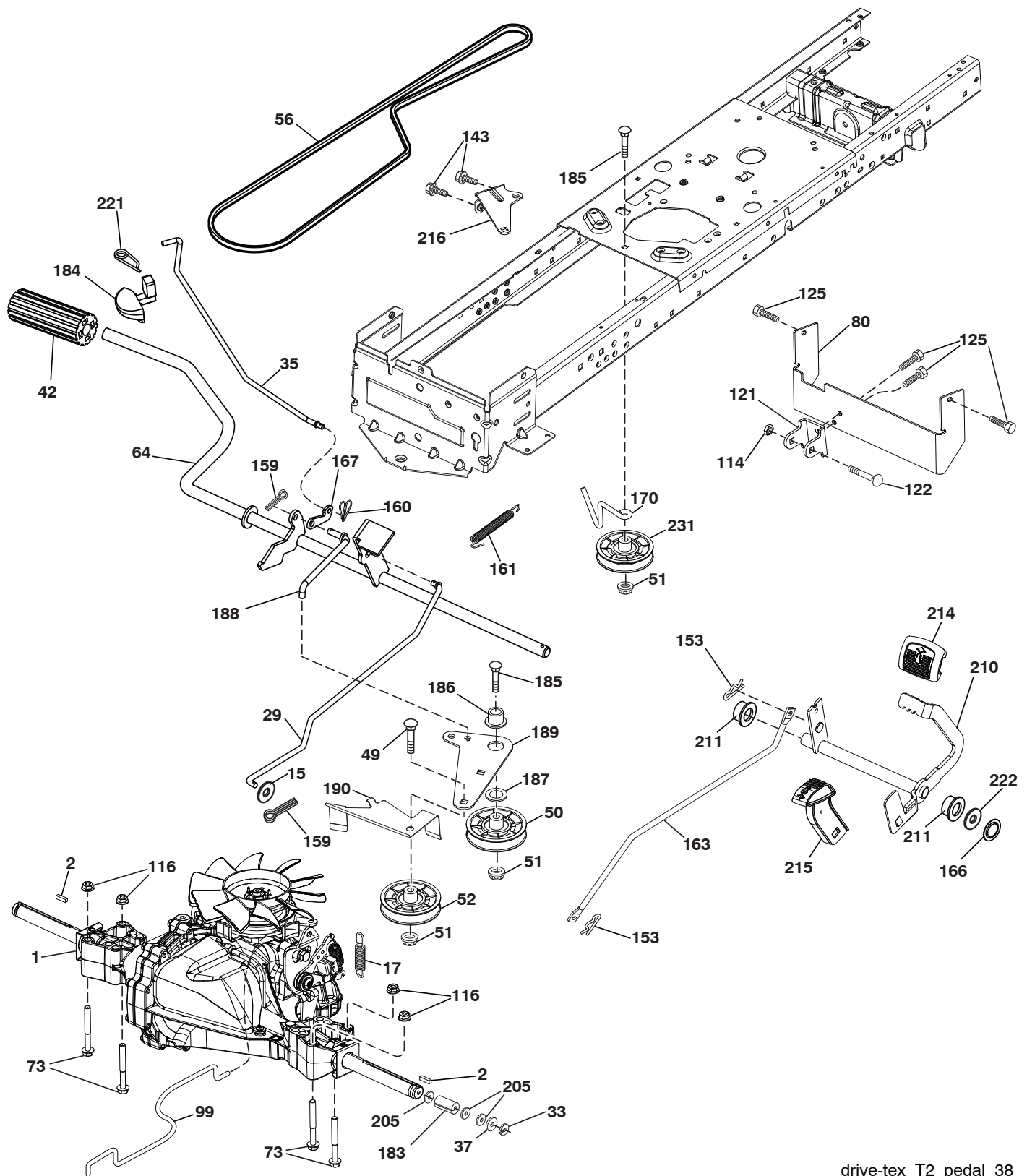
chassis-tex\_TEX LT HUSQ\_89

**TRACTOR - MODEL NO. TC 130 (96051018700), PRODUCT NO. 960 51 01-87  
CHASSIS AND ENCLOSURES **39****

KEY NO.	PART NO.	DESCRIPTION	KEY NO.	PART NO.	DESCRIPTION
3	581 05 63-01	Logo	202	532 44 13-42	Vent Side Hood RH
5	585 52 98-06	Dash	203	532 44 13-43	Vent Side Hood LH
14	532 44 12-67	Hood	204	532 44 13-75	Vent Top Hood
15	532 44 14-28	Lens LH	205	532 44 13-44	Skirt Side RH
18	532 44 13-68	Grille	206	532 44 13-45	Skirt Side LH
25	532 44 14-27	Lens RH	213	539 97 69-34	HCS 5/16-18 x 3/4 Gr. 5 ZD
34	580 91 09-01	Plate Engine	214	532 19 91-45	Clip Retainer
36	817 06 05-12	Screw 5/16-18 x 3/4	217	532 40 91-67	Rod Pivot Hood
37	532 44 14-19	Fender	218	532 19 63-95	X-Piece Hood Stop
52	873 68 05-00	Nut Crown Lock 5/16	228	532 19 51-61	Stud Fastener
58	532 41 22-80	Drawbar Upper	235	532 40 61-29	Spacer Fender
62	872 11 06-08	Bolt RDHD SQNK 3/8 x 1 Gr. 5	236	873 93 05-00	Nut Lock 5/16-18 unc
68	539 99 08-58	Screw Thdrol. 5/16-18 x 1/2 TYTT	238	532 44 13-74	Trim
118	819 13 13-16	Washer 13/32 x 13/16 x 16 Ga.	239	532 40 48-83	Clip Tinnerman
119	873 68 06-00	Nut Crownlock 3/8-16 unc	282	532 41 41-10	Clip Retainer
125	581 68 48-01	Clip Fuel Line	283	532 44 05-31	Console Deck Lift
130	532 41 63-58	Screw #10 x 0.750 BOS Thread	284	532 44 05-30	Console Shift
137	532 40 75-90	Bumper Dash	287	817 60 04-06	Screw Hex Washhead 1/4-20 x 3/8
146	581 85 79-01	Bolt	297	532 40 66-65	Insert Reflective LH
150	532 40 66-62	Air Duct	306	873 90 06-00	Nut Lock
151	532 40 78-07	Bracket Pivot	308	532 17 18-77	Bolt 5/16-18 unc x 3/4
152	532 19 95-35	Shield Browning	309	532 43 02-46	Backplate Bagger SRD
159	817 00 06-12	Screw Kexwsh Thdr 3/8-16 x 3/4	310	532 44 54-28	Bracket Hangar Bag LH
162	532 14 24-32	Screw Hex Wsh. Hi-Lo 1/4 x 1/2 unc	311	532 44 54-30	Bracket Hangar Bag RH
175	532 19 94-72	Crossmember	319	532 17 46-62	Bracket Actuator Bagger
176	532 40 07-76	Screw 10-24 x 5/8	334	532 44 25-37	Bracket Engine
177	532 19 52-28	Bushing Steering	375	586 90 82-01	Dash Clip-On Bumper
180	532 41 46-85	Chassis	376	589 45 87-01	Upper Steering Mount
182	532 40 71-76	Dash Lower	377	589 45 53-01	Screw 10 x 1/2
183	874 52 05-20	Bolt 5/16-18 x 1-1/4			
189	817 00 05-12	Screw 5/16-18 x 3/4			
191	532 41 65-01	Insert Reflective RH			
194	873 90 05-00	Nut Lock Hex Flange 5/16-18			
199	532 41 87-39	Plate Deck Lift			

**NOTE:** All component dimensions given in U.S. inches  
1 inch = 25.4 mm

TRACTOR - MODEL NO. TC 130 (96051018700), PRODUCT NO. 960 51 01-87  
DRIVE **40**



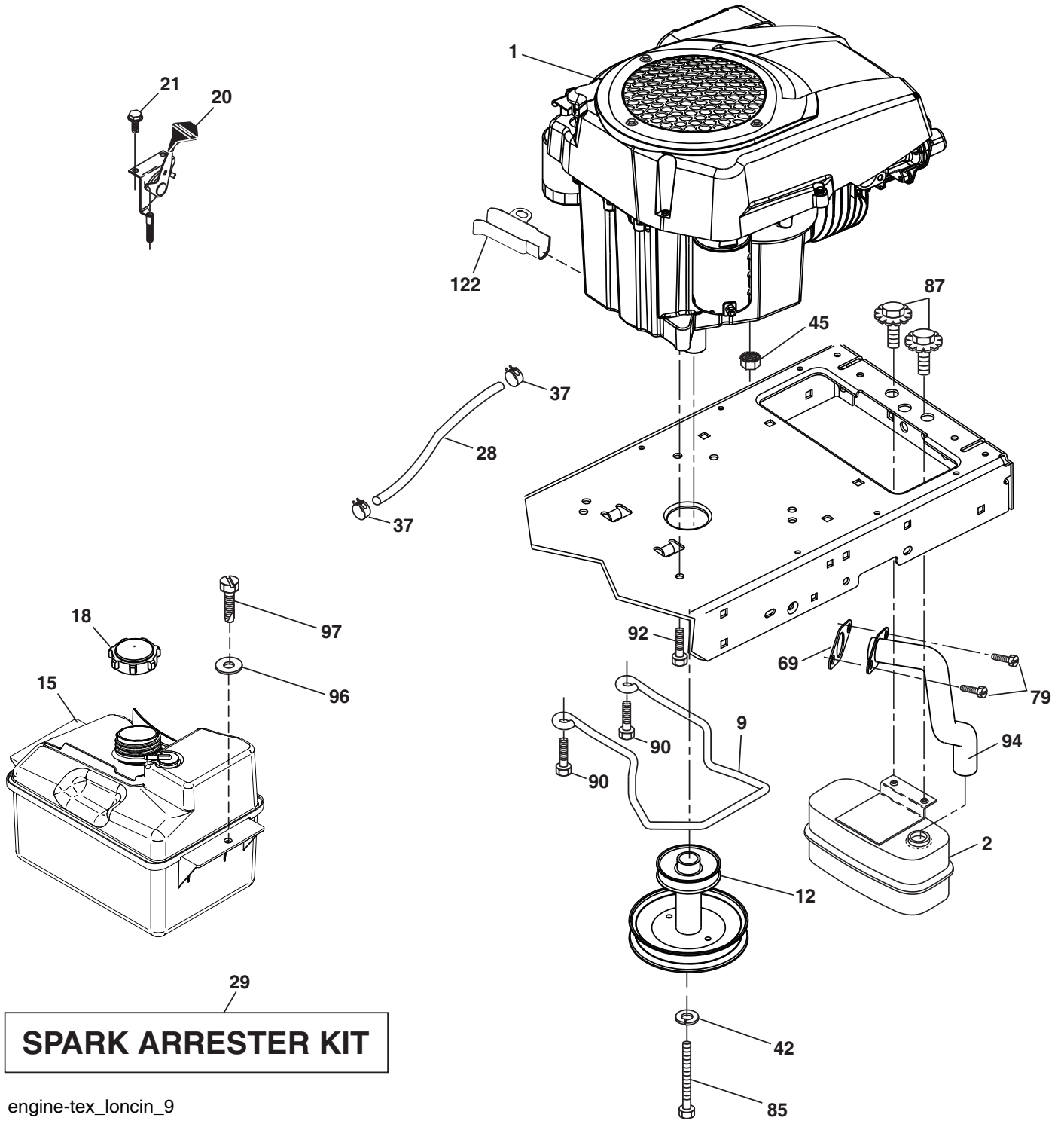
drive-tex\_T2\_pedal\_38



**TRACTOR - MODEL NO. TC 130 (96051018700), PRODUCT NO. 960 51 01-87  
DRIVE **40****

<b>KEY NO.</b>	<b>PART NO.</b>	<b>DESCRIPTION</b>	<b>KEY NO.</b>	<b>PART NO.</b>	<b>DESCRIPTION</b>
1	-----	Transaxle, Hydro Gear T2-BDBE-1X2B-18X1 (587392201) (Order parts from transaxle manufacturer.)	160	532 16 94-84	Retainer Clip
2	532 12 35-83	Key Square	161	532 10 57-09	Spring, Return, Clutch
15	819 13 13-16	Washer 13/32 x 13/16 x 16 Ga.	163	532 41 33-22	Rod Control
17	532 19 72-96	Spring, Brake	166	532 42 91-64	Nut Push .625
29	532 42 32-39	Rod, Brake	167	532 40 52-57	Latch Brake Parking
33	812 00 00-01	Ring E	170	532 41 34-30	Keeper Belt Centerspan
35	532 40 10-31	Rod, Brake, Park	183	532 15 69-72	Spacer Axle
37	532 12 17-49	Washer 25/32 x 1-1/4 x 16 Ga.	184	532 41 14-84	Handle Parking Brake
42	532 00 88-83	Cover, Foot Pedal	185	872 11 06-22	Bolt
49	872 11 06-14	Bolt	186	532 19 43-21	Spacer Retainer
50	532 19 43-27	Pulley Idler Flat	187	819 13 32-10	Washer
51	873 90 06-00	Lock Nut 3/8-16	188	582 21 70-01	Link Clutch Ground Drive, Long
52	532 19 43-26	Idler V-Groove Offset	189	532 19 43-17	Bellcrank Ground Drive
56	592 85 53-01	V-Belt, Drive	190	532 19 43-18	Keeper Bellcrank Ground Drive
64	532 19 78-65	Shaft Asm. Pedal Brake Control	205	532 12 17-48	Washer 25/32 x 1-5/8 x 16 Ga.
73	874 49 05-44	Bolt Hex 5/16-18 Gr. 5	210	532 40 09-80	Rocker Asm. Pedal Control
80	581 55 07-01	Strap Torque	211	532 12 01-83	Bearing Nylon
99	532 40 84-18	Rod Spring Bypass	214	532 42 12-63	Pedal Pad Forward
114	873 80 05-00	Nut Lock 5/16-18 unc	215	586 60 65-02	Pedal Reverse
116	873 90 05-00	Nut Lock Hex Flange 5/16-18	216	532 19 61-31	Bracket Pulley Idler
121	532 17 56-11	Bracket Strap Torque	221	532 40 31-87	Retainer Spring Clip Handle
122	872 01 05-20	Bolt 5/16-18 x 2.50	222	879 21 20-10	Washer 21/32 x 1-1/4 10 Ga.
125	817 00 05-12	Screw 5/16-18 x 3/4	231	532 40 72-87	Idler V-Groove
143	539 99 08-58	Screw Thdrol 5/16-18 x 1/2 TYTT			
153	532 00 44-97	Retainer Spring 1"			
159	876 02 04-12	Pin Cotter 1/8 x 3/4			

**NOTE:** All component dimensions given in U.S. inches  
1 inch = 25.4 mm



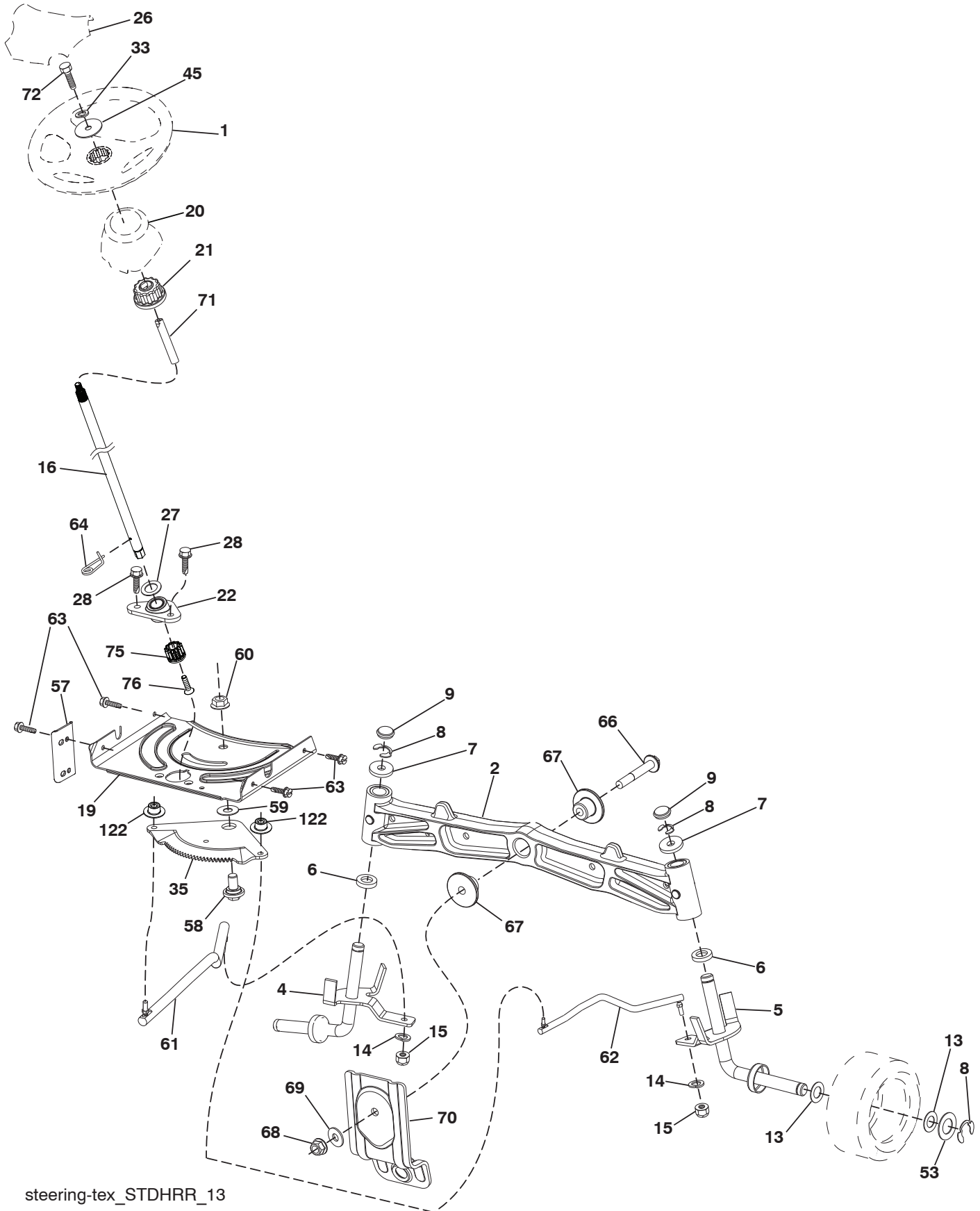
engine-tex\_loncin\_9

**TRACTOR - MODEL NO. TC 130 (96051018700), PRODUCT NO. 960 51 01-87  
ENGINE 24**

KEY NO.	PART NO.	DESCRIPTION
1	— — — — —	Engine Husqvarna SVC. LLC (593230401)
2	590 64 53-01	Muffler
9	582 54 03-02	Keeper Belt Engine
12	532 14 01-86	Pulley Engine
15	581 28 99-01	Tank Fuel
18	532 43 02-20	Cap Fuel
20	532 18 38-97	Control Throttle
21	532 41 63-58	Screw #10 x 0.750 BOS Thread
28	532 13 70-40	Fuel Line
29	532 13 71-80	Spark Arrester Kit
37	532 12 34-87	Clamp Hose
42	539 99 02-47	Washer Lock 7/16 SLW STD.
45	593 35 64-01	Hexagon Flange Serrated
69	590 86 35-01	Gasket
79	532 18 39-06	Screw 5/16-18 x 1 Socket Head
85	501 60 65-01	Bolt Hex 7/16-20 x 4 Gr. 5 1.5
87	532 17 18-77	Bolt 5/16-18 unc x 3/4
90	817 00 06-16	Screw 3/8-16 x 1
92	817 12 06-16	Screw 3/8-16 x 1
94	590 86 47-01	Exhaust Tube
96	819 09 14-16	Washer 9/32 x 7/8 x 16 Ga.
97	817 67 04-12	Screw 1/4-20 x 3/4
122	532 42 19-22	Extension Drain Oil

**NOTE:** All component dimensions given in U.S. inches  
1 inch = 25.4 mm

**TRACTOR - MODEL NO. TC 130 (96051018700), PRODUCT NO. 960 51 01-87**  
**STEERING ASSEMBLY [41]**



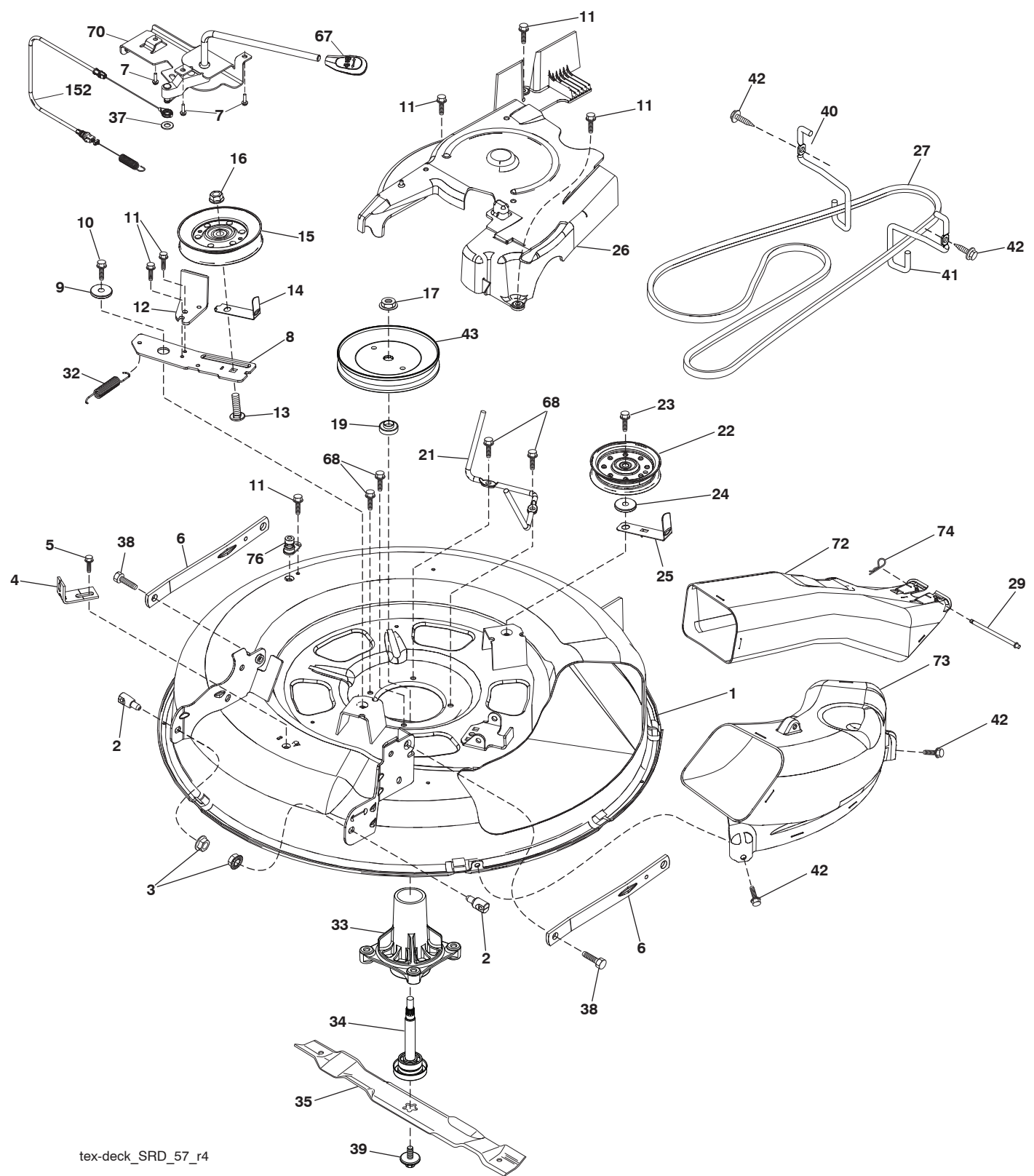
steering-tex\_STDHRR\_13

**TRACTOR - MODEL NO. TC 130 (96051018700), PRODUCT NO. 960 51 01-87**  
**STEERING ASSEMBLY 41**

<b>KEY NO.</b>	<b>PART NO.</b>	<b>DESCRIPTION</b>
1	532 43 99-97	Wheel, Steering
2	532 19 59-68	Axle Cast
4	532 41 68-45	Spindle Asm., LH
5	532 41 68-46	Spindle Asm., RH
6	532 00 62-66	Washer.Thrust..75 x 1.230
7	532 12 17-48	Washer 25/32 x 1-5/8 x 16 Ga.
8	812 00 00-29	Ring, Klip #T5304-75
9	532 12 12-32	Cap, Spindle
13	532 12 17-49	Washer, 25/32 x 1-1/4 x 16 Ga.
14	539 99 01-18	Washer, SLW ZD 3/8
15	873 54 06-00	Nut, Crown Lock 3/8-24 unf
16	585 86 92-02	Steering Shaft
19	532 19 47-29	Plate Steering
20	532 44 14-25	Boot, Steering
21	532 18 67-37	Adapter, Wheel Steering
22	585 02 98-02	Bearing
26	532 43 97-43	Insert, Wheel Steering
27	819 21 16-16	Washer 21 x 32 x 1 x 16 Ga.
28	817 00 06-12	Screw 3/8-16 x 3/4
33	539 99 01-87	Washer Lock 5/16
35	532 19 47-32	Gear, Sector Plate
45	819 11 38-12	Washer 11/32 x 3/8 x 12 Ga.
53	532 18 89-67	Washer Hardened .793 x 1.637 x .060
57	532 40 74-65	Bracket Upstop
58	532 19 47-47	Bolt Shoulder Sector Pivot CFM
59	532 19 47-48	Washer Thrust Sector Steering
60	873 97 10-00	Nut Flange Lock 5/8-11
61	588 79 44-02	Draglink, LH
62	588 79 45-02	Draglink, RH
63	817 00 05-12	Screw 5/16-18 x 3/4
64	532 19 98-49	Retainer Clip Spring Steering
66	871 02 07-48	Bolt Hex Fghd 7/16-14 x 3 Serr
67	532 19 47-37	Bushing PM Front Axle
68	873 90 07-00	Nut Lock Flange 7/16-14 Gr. 5
69	532 19 91-62	Washer 1.5 x .505 x .118
70	532 41 70-65	Bracket Deck Susp. Front
71	532 19 07-52	Shaft Extension Steering
72	532 42 89-82	Bolt Fin Hex 5/16-18 x 4 w/Patch
75	580 68 37-01	Pinion
76	580 68 36-01	Screw Head Sock
122	532 44 49-62	Cap Gear Sector

**NOTE:** All component dimensions given in U.S. inches  
1 inch = 25.4 mm

TRACTOR - MODEL NO. TC 130 (96051018700), PRODUCT NO. 960 51 01-87  
MOWER DECK [44]



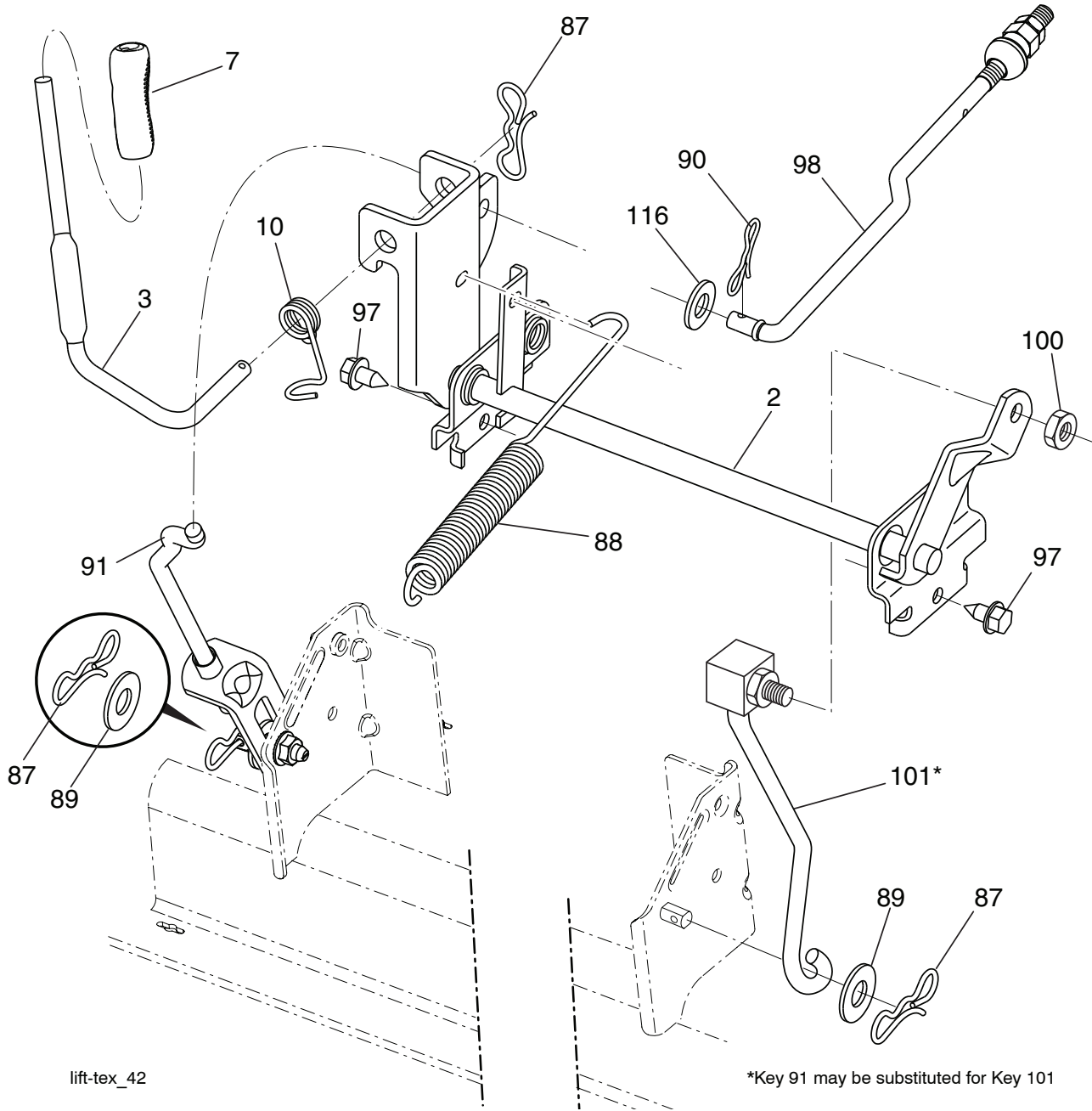
tex-deck\_SRD\_57\_r4

**TRACTOR - MODEL NO. TC 130 (96051018700), PRODUCT NO. 960 51 01-87  
MOWER DECK 44**

KEY NO.	PART NO.	DESCRIPTION	KEY NO.	PART NO.	DESCRIPTION
1	532 43 44-87	Kit. SVC. Weldment. 30" 419272X428	37	819 13 13-16	Washer.13/32 x 13/16 x 16 Ga.
2	532 19 51-61	Stud Fastner W/'D'anti-Rotatio	38	532 19 65-39	Bolt.Shoulder
3	873 90 05-00	Nut Lock Hex Flange 5/16 - 18	39	584 30 93-01	Screw 7/16-20 x 1 Hex
4	532 41 76-45	Bracket.Clutch.Cable	40	532 41 92-70	Keeper.Belt.Engine.LH
5	817 00 05-10	Bolt 5/16-18	41	532 41 92-65	Keeper.Belt.Engine.RH
6	532 41 88-63	Arm.Susp.Mower.Rear.Srd	42	817 00 06-12	Screw Hexwsh THDR 3/8-16 x 3/4 BL
7	532 41 63-58	Screw #10 x 0.750.BOS Thd.	43	532 41 68-77	Pulley.Mandrel.6.5 Pd.30"
8	532 42 02-52	Arm.Idler.30"Srd	67	532 40 30-12	Handle.Clutch.Cable
9	532 19 90-92	Spacer,Retainer	68	584 95 39-01	Bolt.Hex.Wshr Hd .313-18 x 1.19
10	817 00 06-16	Screw.3/8-16X1 Smgml Tap/RBlk	70	532 40 12-46	Clutch.Asm.Manual.LT.Pred
11	532 13 77-29	Screw.Thd.Roll.1/4 - 20 X 5/8	72	532 41 72-36	Chute.Upper.SRD 30R
12	532 19 94-70	Arm.Brake.Mower.38"LH.Tex	73	532 42 52-74	Chute Lower SRD 30R
13	872 11 06-12	Bolt.Carr.Sh.3/8 - 16X1 - 1/2.Gr. 5	74	532 12 46-70	Retainer Spring
14	532 15 60-85	Keeper.Belt.Idler	76	532 41 55-98	Washout Port
15	532 14 67-63	Pulley Idler.V-Groove.Dim 4.25	152	532 43 51-11	Cable.Mech.Clutch.30R/30S/38
16	873 90 06-00	Nut Lock FIG 3/8 - 16 unc	--	587 25 33-01	Mandrel Assembly (Includes Housing (key#14), Shaft Assem- bly (key#13), and Bearing Only (key#15) - Pulley/Nut/Washer and Blade Bolt/Washers Not Included)
17	532 40 02-34	Nut.Flange.9/16.Top-lock	--	532 44 08-00	Replacement Mower Complete
19	585 32 39-01	Bearing Mandrel			
21	532 41 69-10	Keeper.Belt.Mandrel.30"			
22	532 17 58-20	Pulley.Idler.Flat.3.75			
23	817 49 06-28	Screw Thdrol 3/8 - 16 X 1-3/4			
24	819 12 14-14	Washer.5/16 Flat			
25	532 42 02-53	Keeper.Belt.30"Srd			
26	532 42 02-55	Cover.Mandrel.30"			
27	532 41 92-71	Belt-V.Drive.Mower.30"			
29	532 42 08-95	Pin.Hinge.30			
32	532 40 18-72	Spring.Return.Deck.38/46"			
33	532 18 72-81	Housing.Mandrel.4pt.Service			
34	587 25 65-01	Shaft Asm Mndrl N/Greaseable 38			
35	532 41 92-74	Blade.Mower.Bagging.30R			

**NOTE:** All component dimensions given in U.S. inches  
1 inch = 25.4 mm

**TRACTOR - MODEL NO. TC 130 (96051018700), PRODUCT NO. 960 51 01-87**  
**MOWER LIFT 45**



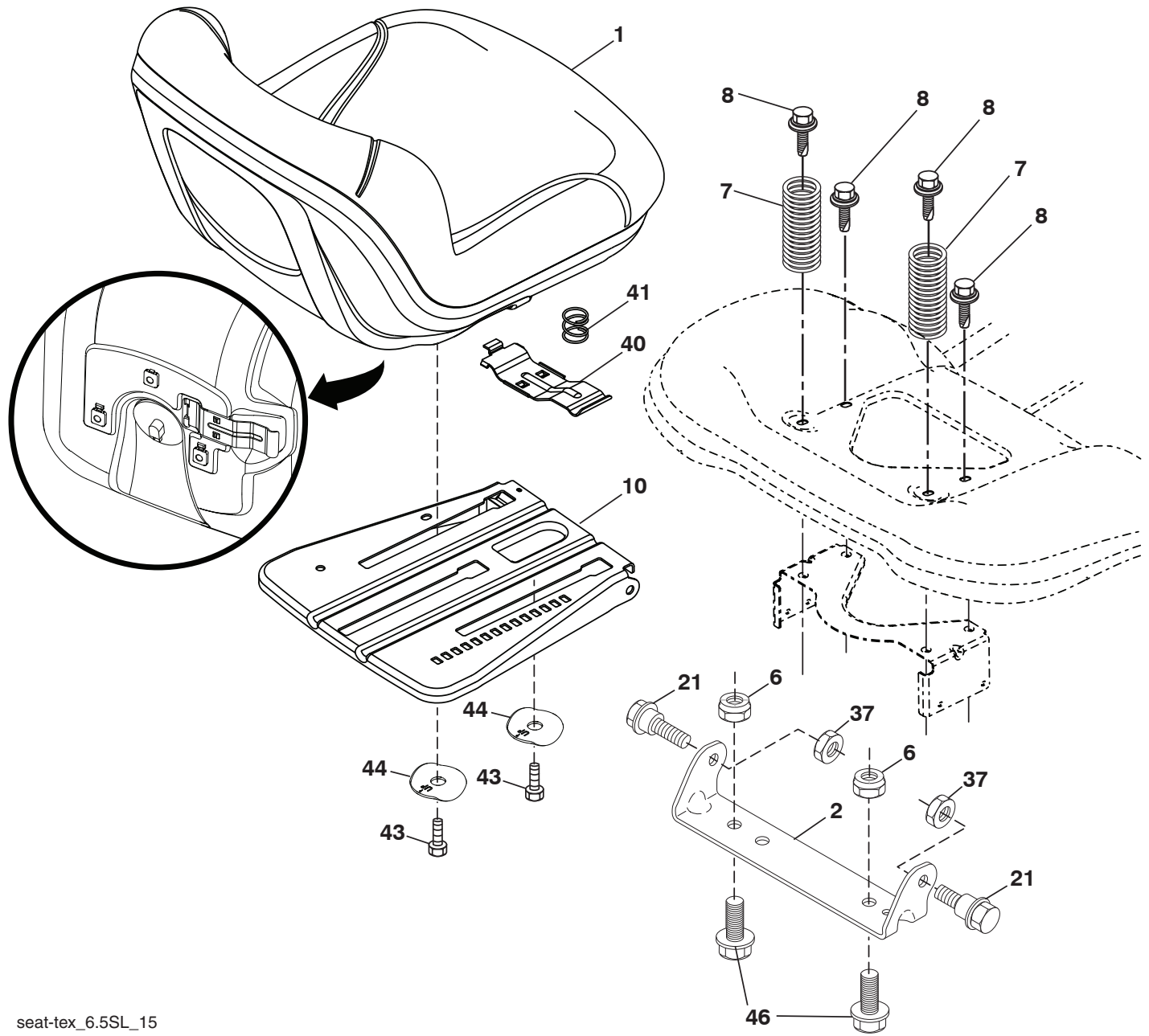
KEY NO.	PART NO.	DESCRIPTION
2	532 42 20-27	Shaft Asm., Cross Lift
3	532 19 52-31	Lever.Lift.Textl.Standard/Wide
7	580 96 23-01	Grip, Lever
10	532 19 63-14	Spring Torsion
87	532 19 42-09	Pin Cotter 7/16 Bow Tie Lock
88	532 41 07-10	Spring.Decklift.Assist
89	819 19 19-12	Washer Clear Zinc
90	532 19 42-08	Pin Cotter 5/16 Bow Tie Lock
91	532 19 51-81	Link Lift Susp Mower Rear

KEY NO.	PART NO.	DESCRIPTION
97	817 00 06-12	Screw 3/8-16 x .75 Smgml Tap/R.Z
98	532 19 52-64	Link Asm. Susp
100	873 93 06-00	Nut Centerlock 3/8 -16 unc
101	532 40 70-03	Link Asm. Lift Fixed
116	594 97 65-01	Washer.Round.15/32 x 15 x 16 x .065

**NOTE:** All component dimensions given in U.S. inches  
 1 inch = 25.4 mm



**TRACTOR - MODEL NO. TC 130 (96051018700), PRODUCT NO. 960 51 01-87  
SEAT ASSEMBLY 42**



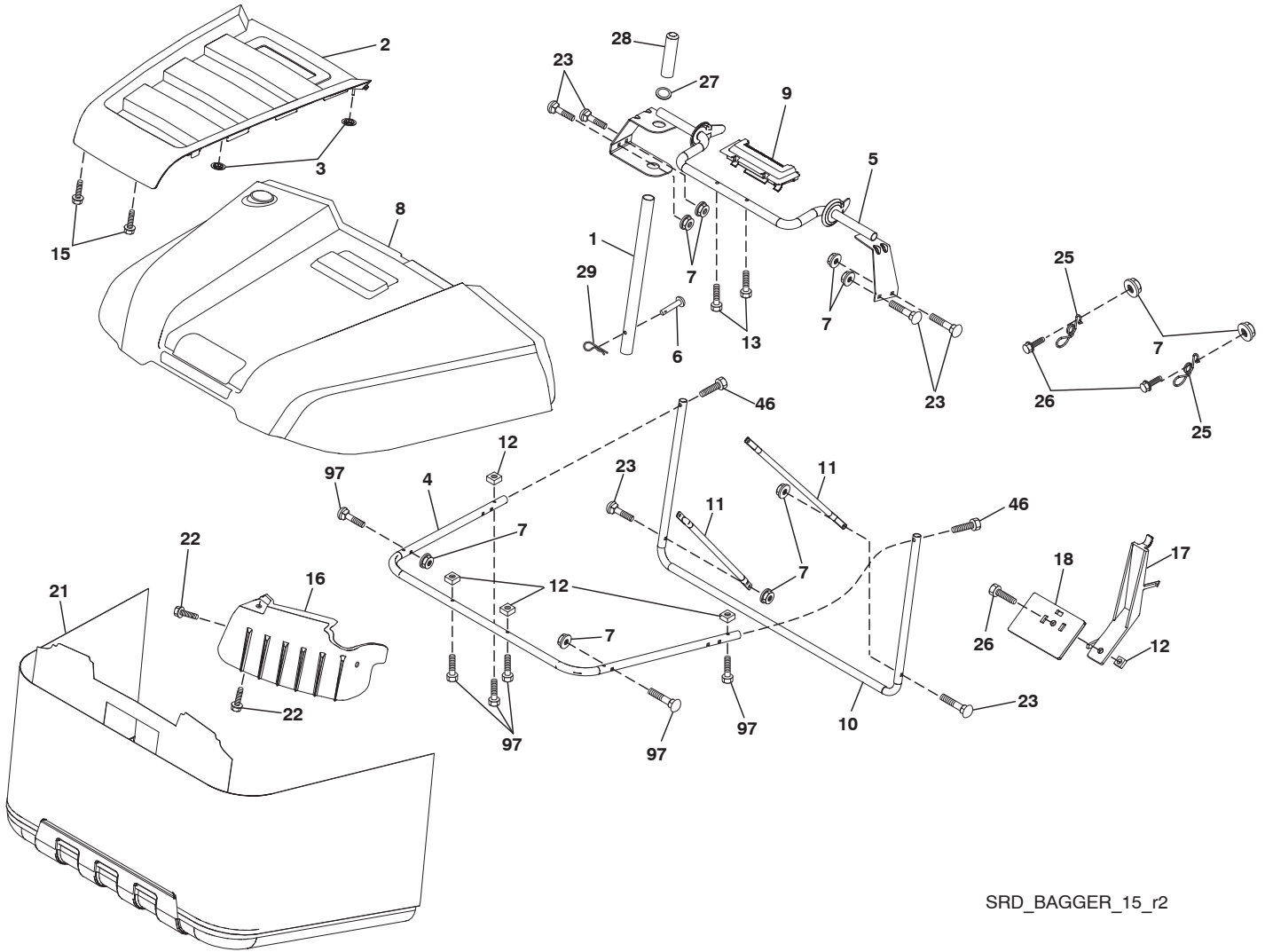
seat-tex\_6.5SL\_15

KEY NO.	PART NO.	DESCRIPTION
1	532 43 98-19	Seat
2	532 18 01-66	Bracket Pivot Fender
6	873 80 06-00	Nut, Lock w/Ins. 3/8-16 unc
7	589 48 35-01	Spring, Seat Cprsn
8	532 17 18-77	Bolt 5/16-18 unc x 3/4 w/Sems
10	596 65 74-02	Plate.Seat.Slide.
21	587 90 78-01	Bolt, Shoulder 5/16-18 x 5/8
37	873 80 05-00	Nut, Lock 5/16-18 unc

KEY NO.	PART NO.	DESCRIPTION
40	532 19 76-61	Handle Slide Seat
41	532 19 82-00	Spring Latch Seat
43	874 76 06-12	Bolt 3/8-16 x 3/4
44	501 05 18-01	Washer Winged 3/8 ID 1.5 OD
46	588 09 04-01	Bolt 3/8-16 x 1, 1.25

**NOTE:** All component dimensions given in U.S. inches  
1 inch = 25.4 mm

TRACTOR - MODEL NO. TC 130 (96051018700), PRODUCT NO. 960 51 01-87  
BAGGER **46**



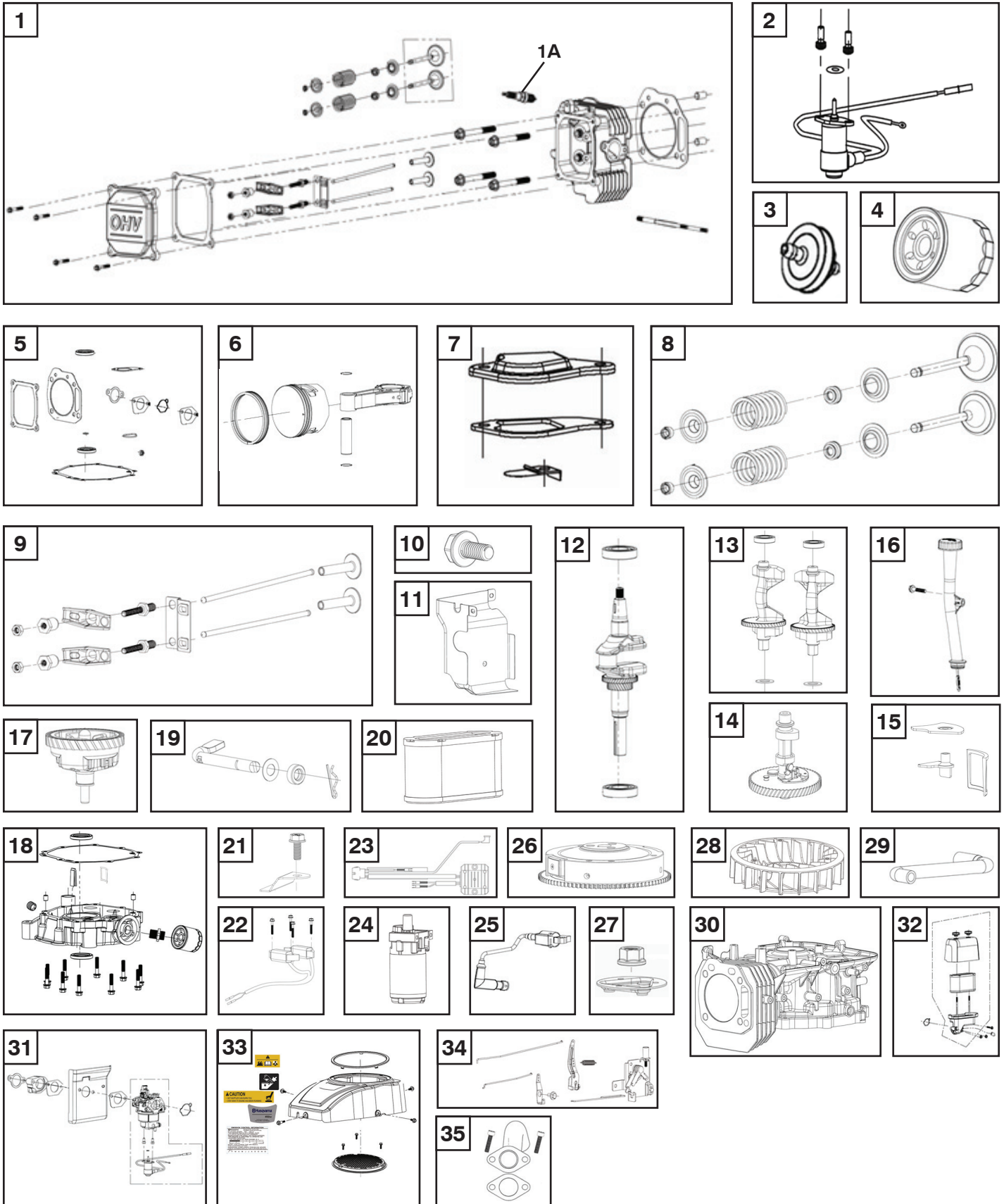
SRD\_BAGGER\_15\_r2

**TRACTOR - MODEL NO. TC 130 (96051018700), PRODUCT NO. 960 51 01-87  
BAGGER 46**

<b>KEY NO.</b>	<b>PART NO.</b>	<b>DESCRIPTION</b>
1	532 42 86-10	Tube Handle Bagger SRD
2	532 44 13-58	Applique
3	532 41 38-08	Nut Push
4	579 78 54-01	Frame Asm Bagger Top
5	532 41 76-32	Frame Asm Top Bagger SRD
6	532 12 68-75	Drilled Rivit
7	873 90 04-00	Nut Hex Flange 1/4-20 unc
8	532 44 12-61	Bagger Top
9	532 41 76-29	Insert Handle Bagger
10	532 41 71-90	Frame Front
11	532 41 71-88	Tubing Brace Bagger
12	532 42 17-93	Nut Square 1/4
13	532 42 17-80	Screw 1/4 x 1.150 HXWSH
15	532 42 18-01	Screw #8 Flat Head Drill Tip
16	532 42 15-66	Deflector Bagger
17	532 42 17-49	Lever Bagger Full
18	532 42 17-50	Paddle Bagger Full
21	532 42 99-81	Bag Asm SRD
22	532 14 24-32	Screw Hex WSH Hi-Lo 1/4 - 1/2 unc
23	872 04 04-10	Bolt Carr 1/4-20 unc x 1-1/4
25	532 42 16-14	Spring Latch Bagger
26	817 49 04-12	Screw Hex Thdrol 1/4-20 x 3/4
27	532 42 12-62	Grommet, Rubber SRD
28	532 16 57-87	Grip Handle Black
29	532 19 42-08	Pin Cotter 5/16 Bow Tie Lock
46	501 40 66-01	Screw Hexcap 1/4 x 20 x 1.500
97	590 10 57-01	Screw Torx Butn HD 1/4-20-1.5"

**NOTE:** All component dimensions given in U.S. inches  
1 inch = 25.4 mm

**TRACTOR - MODEL NO. TC 130 (96051018700), PRODUCT NO. 960 51 01-87  
HUSQVARNA ENGINE (452 CC)**



**TRACTOR - MODEL NO. TC 130 (96051018700), PRODUCT NO. 960 51 01-87  
HUSQVARNA ENGINE (452 CC)**

<b>ITEM NO.</b>	<b>PART NO.</b>	<b>DESCRIPTION</b>	<b>QTY.</b>
1	590904901	CYLINDER HEAD COMP KIT	1
1A	591165501	SPARK PLUG	1
2	590905101	SOLENOID KIT	1
3	591165801	FUEL FILTER	1
4	591165901	OIL FILTER	1
5	590905401	GASKET AND SEAL KIT	1
6	590905501	PISTON AND RING SET, PISTON KIT	1
7	590905601	COVER COMP BREATHER AND STRAINER FUEL KIT	1
8	590971701	VALVE KIT	1
9	590971801	ROCKER ARM KIT	1
10	590971901	HEXAGON BOLT WITH FLANGE	1
11	590972101	AIR DEFLECTOR	1
12	590972201	CRANKSHAFT KIT	1
13	590972301	BALANCING SHAFT KIT	1
14	590972401	CAMSHAFT ASSY	1
15	590972501	OIL STRAINER KIT	1
16	590972601	FILL TUBE KIT	1
17	590972701	GOVERNER GEAR KIT	1
18	590972801	CRANKCASE COVER KIT	1
19	590972901	SPEED REGULATING ARM KIT	1
20	590973101	AIR FILTER	1
21	590973501	PRESSING PLATE KIT	1
22	590973601	CHARGING ARMATURE KIT	1
23	590973801	VOLTAGE RECTIFIER	1
24	590974301	STARTER MOTOR KIT	1
25	590975801	IGNITION COIL ASSEMBLY	1
26	590978001	FLYWHEEL COMP	1
27	590992201	STARTING DISC KIT	1
28	590992301	IMPELLER	1
29	590965901	BREATHER TUBE	1
30	592951101	CRANKCASE BODY KIT	1
31	593098301	CARBURETOR KIT - US	1
32	593098501	AIR CLEANER KIT	1
33	593098601	START COVER KIT	1
34	593098801	THROTTLE LEVER KIT - US	1
35	592952001	EXHAUST PIPE KIT	1

