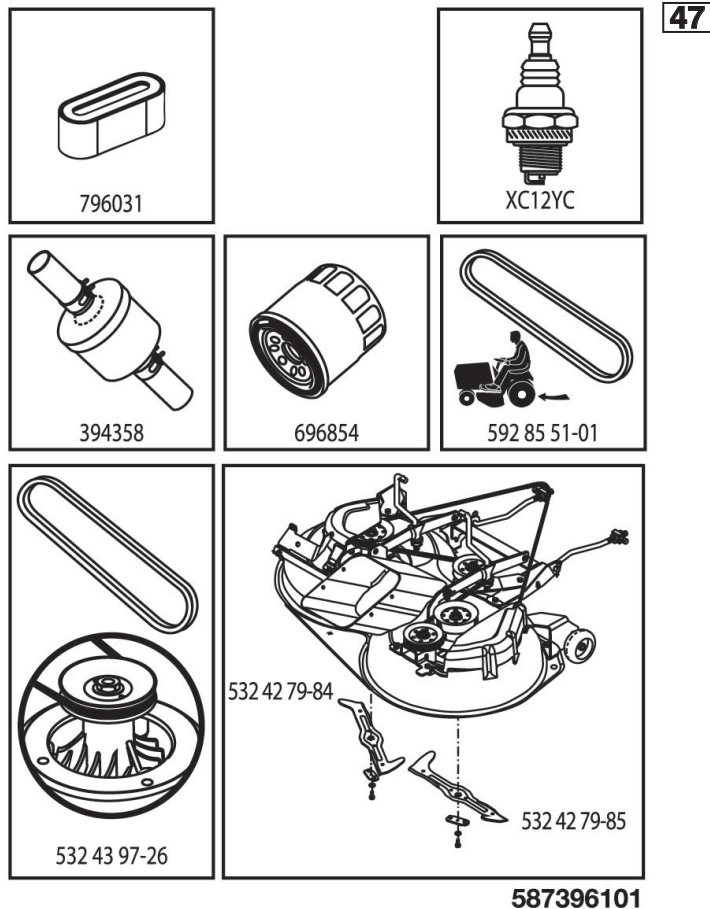


ILLUSTRATED PARTS LIST

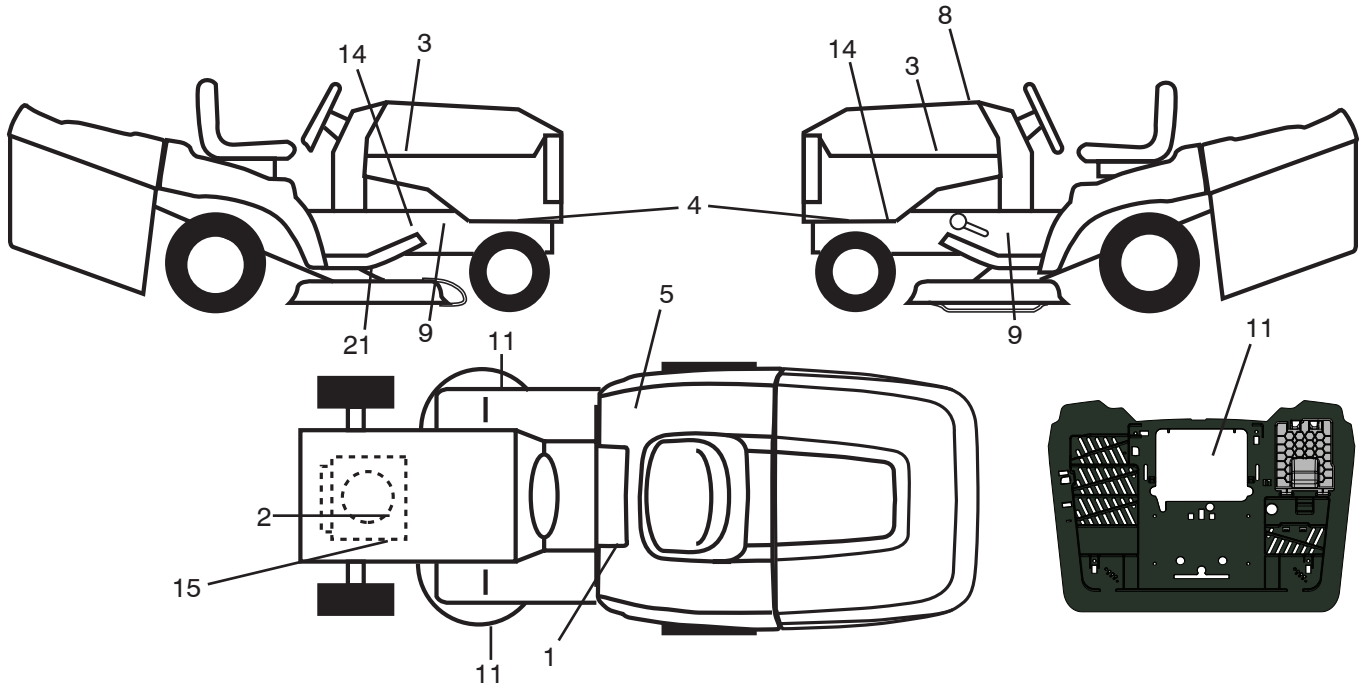
MODEL NO. 96051012404

CUSTOMER CATALOG NO. TC 138

PRODUCT NO. 960 51 01-24



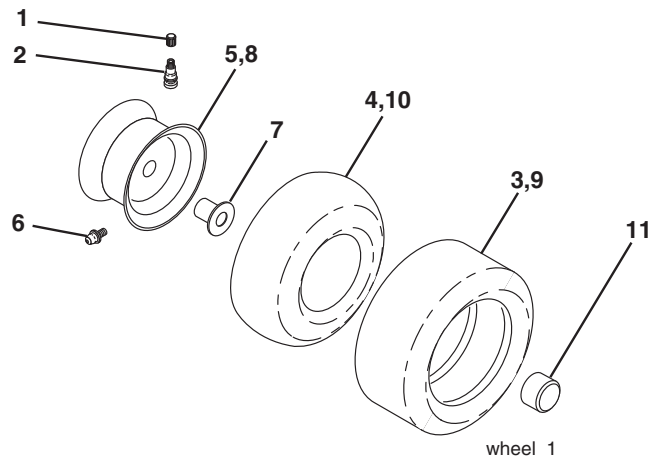
TRACTOR -- MODEL NO. TC 138 (96051012404), PRODUCT NO. 960 51 01-24
DECALS 27



KEY NO.	PART NO.	DESCRIPTION
1	581 57 83-01	Decal, Warning
2	581 57 97-01	Decal, Warning Eng. Sym.
3	581 62 73-01	Decal, Hood RH/LH
4	587 40 71-01	Decal, Side Panel
5	586 06 62-01	Decal, Snowflake
8	587 39 61-01	Decal, Replacement
9	581 57 98-01	Decal, Warning
11	581 57 91-01	Decal, Mower Cut Finger Symbol
14	581 57 96-01	Decal, Chassis Hot Muffler

KEY NO.	PART NO.	DESCRIPTION
15	587 73 12-01	Decal, Engine BS
21	532 44 11-89	Decal, Belt Sch CRD
--	532 44 14-10	Pad Footrest RH
--	532 44 14-09	Pad Footrest LH
--	532 44 46-19	Decal, Bypass
--	115 93 49-20	Manual Operator's (Euro)
--	115 93 50-10	Manual Operator's (Scan)
--	115 93 51-50	Manual Operator's (E-Bloc)
--	115 93 52-40	Manual Operator's (Baltic)

WHEELS & TIRES



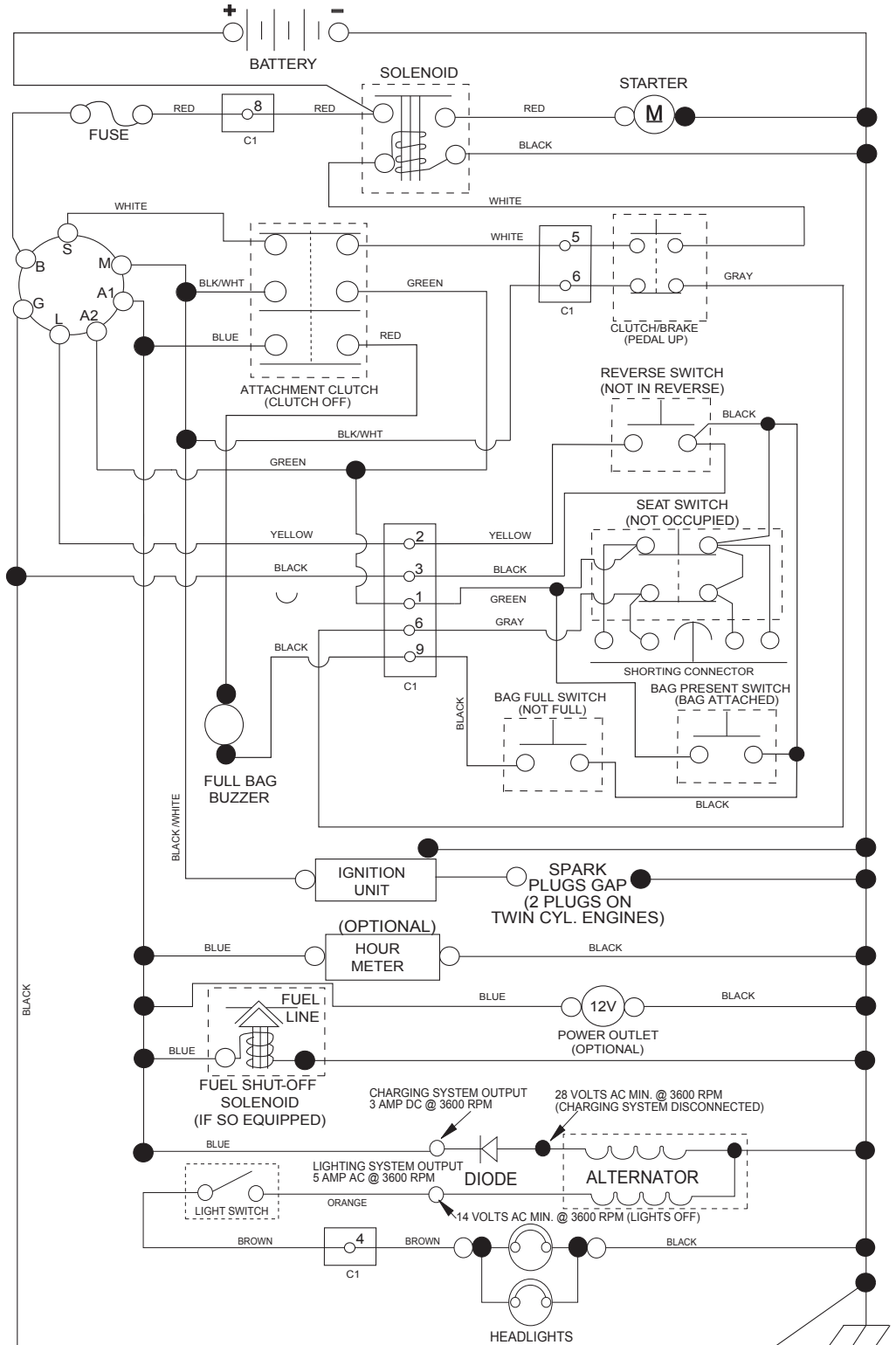
KEY NO.	PART NO.	DESCRIPTION
1	532 05 91-92	Cap Valve Tire
2	532 06 51-39	Stem Valve
3	532 10 62-22	Tire Front 15 x 6-6
4	532 05 99-04	Tube Inner Front #35060
5	532 13 83-36	Rim Asm 6" Front
6	532 12 49-57	Fitting Grease
7	532 12 49-59	Bearing Flange
8	532 13 83-37	Rim Asm 8" Rear
9	532 12 46-35	Tire Rear 18 x 8.5-8
10	532 12 49-26	Tube Rear 8.5 x 8
11	532 17 50-39	Cap Axle
--	532 14 43-34	Sealant, Tire (10 oz. Tube)

NOTE: All component dimensions given in U.S. inches
 1 inch = 25.4 mm

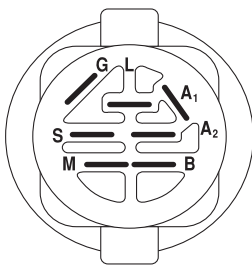
TRACTOR - - MODEL NO. TC 138 (96051012404), PRODUCT NO. 960 51 01-24

SCHEMATIC 38

SCH17

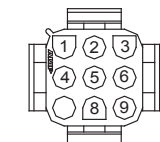


NOTE
 YOUR TRACTOR IS EQUIPPED WITH A SPECIAL ALTERNATOR SYSTEM. THE LIGHTS ARE NOT CONNECTED TO THE BATTERY, BUT HAVE THEIR OWN ELECTRICAL SOURCE. BECAUSE OF THIS, THE BRIGHTNESS OF THE LIGHTS WILL CHANGE WITH ENGINE SPEED. AT IDLE THE LIGHTS WILL DIM. AS THE ENGINE SPEED IS INCREASED, THE LIGHTS WILL BECOME THEIR BRIGHTEST.

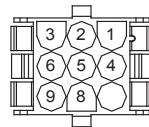


IGNITION SWITCH

POSITION	CIRCUIT	"MAKE"
OFF	M+G+A1	
RUN/OVERRIDE	B+A1	
RUN	B+A1	L+A2
START	B + S + A1	



CHASSIS HARNESS CONNECTOR (C1) (MATING SIDE)



DASH HARNESS CONNECTOR (C1) (MATING SIDE)

WIRING INSULATED CLIPS
 NOTE: IF WIRING INSULATED CLIPS WERE REMOVED FOR SERVICING OF UNIT, THEY SHOULD BE RE-INSTALLED TO PROPERLY SECURE YOUR WIRING.

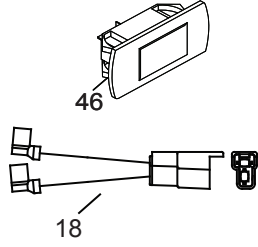
●
 NON-REMOVABLE CONNECTIONS

○
 REMOVABLE CONNECTIONS

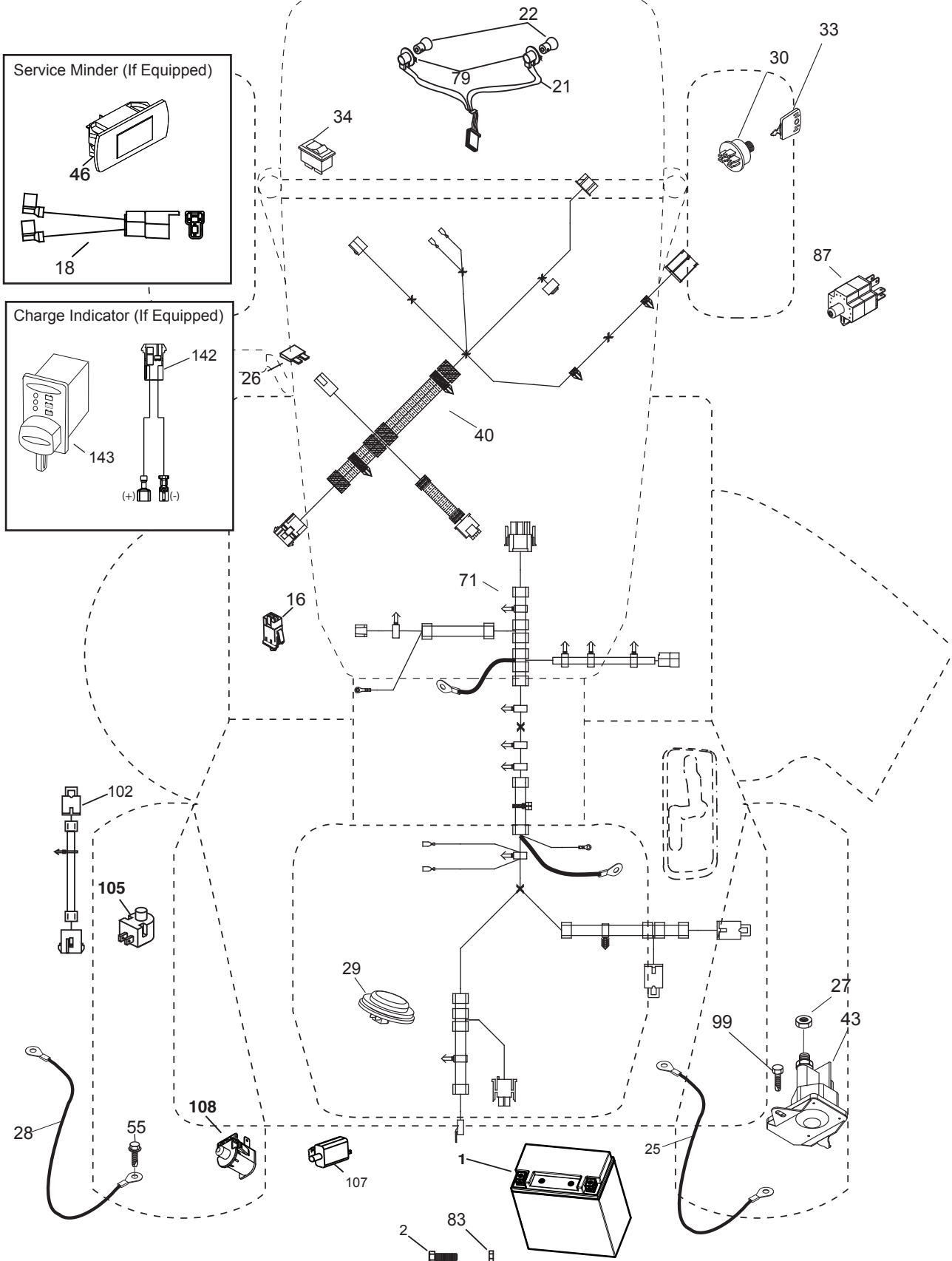
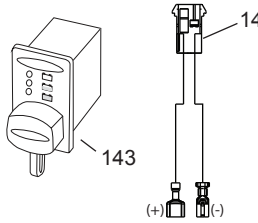
TRACTOR - - MODEL NO. TC 138 (96051012404), PRODUCT NO. 960 51 01-24
ELECTRICAL 32

TC03S

Service Minder (If Equipped)



Charge Indicator (If Equipped)

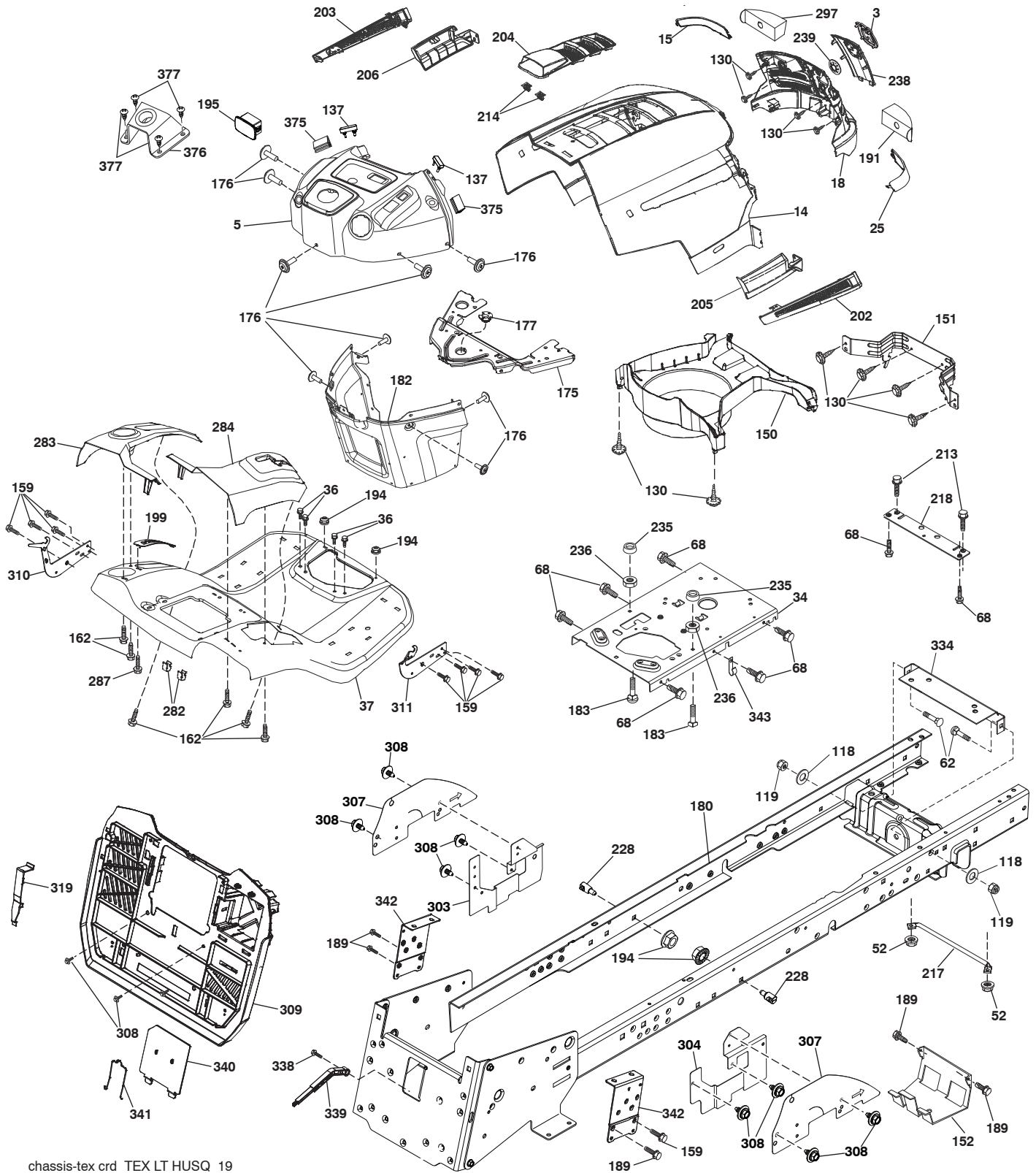


**TRACTOR - - MODEL NO. TC 138 (96051012404), PRODUCT NO. 960 51 01-24
ELECTRICAL 32**

KEY NO.	PART NO.	DESCRIPTION
1	532 43 71-57	Battery
2	532 44 09-23	Screw Hex Hd Cap M6 x 1.12mm
16	532 17 61-38	Switch Interlock
21	532 40 02-52	Harness Asm Light w/4152J
22	532 00 41-52	Bulb Light #1156
25	581 48 98-01	Cable Battery Red
26	532 17 51-58	Fuse
27	873 51 04-00	Nut Keps Hex 1/4-20 unc
28	581 48 98-02	Cable Ground Black
29	532 40 15-45	Switch Seat
30	532 19 33-50	Switch Ignition
33	532 41 19-35	Key/Chain
34	532 11 07-12	Switch Light
40	585 84 99-01	Harness Ignition Dash
43	582 04 28-01	Solenoid
55	817 06 05-12	Screw 5/16-18 x 3/4
71	587 26 87-01	Harness Chassis
79	532 17 52-42	Socket Asm.
83	532 43 67-74	Nut Square M6 x 1 x 8.5 x 11mm
87	532 42 10-60	Switch Railmount
99	817 00 05-12	Screw 5/16-18 3/4
102	532 44 12-62	Harness Jumper
105	532 40 75-68	Switch Reverse
107	532 18 03-79	Switch Full Bagger Indicator
108	532 42 10-62	Switch Snapmount
142	583 85 78-01	Charge Port Pigtail
143	532 44 80-59	Charge Port

NOTE: All component dimensions given in U.S. inches
1 inch = 25.4 mm

TRACTOR - - MODEL NO. TC 138 (96051012404), PRODUCT NO. 960 51 01-24
CHASSIS AND ENCLOSURES **39**



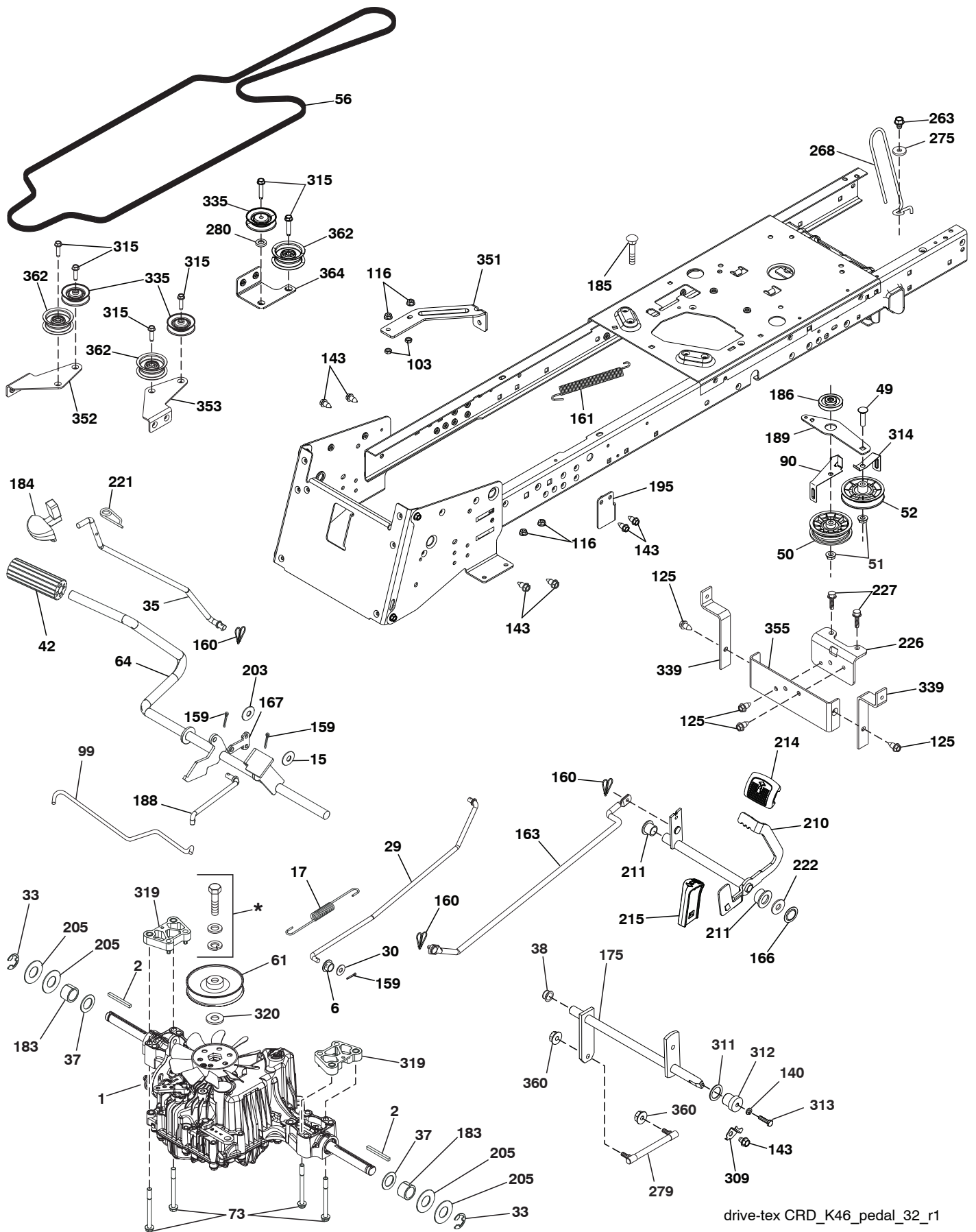
chassis-tex crd_TEX LT HUSQ_19

**TRACTOR - - MODEL NO. TC 138 (96051012404), PRODUCT NO. 960 51 01-24
CHASSIS AND ENCLOSURES **39****

KEY NO.	PART NO.	DESCRIPTION	KEY NO.	PART NO.	DESCRIPTION
3	581 05 63-01	Logo	206	532 44 13-45	Skirt Side LH
5	585 47 79-06	Dash	213	874 76 05-12	Bolt Hex HD 5/16-18 unc 3/4
14	532 44 12-67	Hood	214	532 19 91-45	Clip Retainer
15	532 44 14-28	Lens LH	217	532 40 91-67	Rod Pivot Hood
18	532 44 13-68	Grille	218	532 19 63-95	X-Piece Hood Stop
25	532 44 14-27	Lens RH	228	532 19 51-61	Stud Fastener
34	580 91 09-01	Plate Engine	235	532 40 61-29	Spacer Fender
36	817 06 05-12	Screw 5/16-18 x 3/4	236	873 93 05 00	Nut Center Lock 5/16-18 unc
37	532 44 13-69	Fender	238	532 44 13-74	Trim
52	873 68 05-00	Nut Crownlock 5/16-18	239	532 40 48-83	Clip Tinnerman
62	872 11 06-08	Bolt 3/8-16 x 1 Gr. 5	282	532 41 41-10	Clip Retainer
68	539 99 08-58	Screw Thdrol. 5/16-18 x 1/2	283	532 44 05-31	Console Deck Lift
118	819 13 13-16	Washer 13/32 x 13/16 x 16	284	532 44 05-30	Console Shift RH
119	873 68 06-00	Nut Crown Lock	287	817 60 04-06	Screw Hex Wash. 1/4-20 x 3/8
130	532 41 63-58	Screw #10 x .750 BOS Thread	297	532 40 66-65	Insert Reflective LH
137	532 40 75-90	Bumper Dash	303	587 49 31-02	Shield LH
150	532 40 66-62	Air Duct	304	589 41 27-02	Shield RH
151	532 40 78-07	Bracket Pivot	307	587 49 45-01	Shield Upper
152	532 19 95-35	Shield Browning	308	532 17 18-77	Bolt 5/16-18 unc x 3/4
159	817 00 06-12	Screw Hxwsh Thdrl 3/8-16 x 3/4 Bl.	309	501 18 83-01	Backplate
162	532 14 24-32	Screw Hex Wsh. Hi-Lo 1/4 x 1/2 unc	310	532 44 66-36	Bracket Hangbar Bag LH
175	532 19 94-72	Crossmember	311	532 44 66-37	Bracket Hangbar Bag RH
176	532 40 07-76	Screw 10-24 x 5/8	319	532 17 46-62	Bracket Actuator Bagger
177	532 19 52-28	Bushing Steering	334	532 44 25-37	Bracket Engine
180	581 18 71-01	Chassis	338	532 43 66-40	Bolt Shoulder
182	532 40 71-76	Dash Lower	339	532 43 66-41	Lever Bagger Full
183	874 52 05-20	Bolt 5/16-18 x 1-1/4	340	532 44 09-31	Door Battery Tray
189	817 00 05-12	Screw 5/16-18 x 3/4	341	582 06 08-01	Latch Batter Tray
191	532 41 65-01	Insert Reflective RH	342	582 82 68-02	Support Fender
194	873 90 05-00	Nut Lock Hex Flange 5/16-18	343	532 44 07-49	Clip
195	532 43 99-76	Plug Dash	375	586 90 82-01	Dash Clip-On Bumper
199	532 41 87-39	Plate Deck Lift	376	589 45 87-01	Mount Asm Huslt Upper Strng
202	532 44 13-42	Vent Side Hood RH	377	589 45 53-01	Screw 10 x 1/2 ZN PL
203	532 44 13-43	Vent Side Hood LH			
204	532 44 13-75	Vent Top Hood			
205	532 44 13-44	Skirt Side RH			

NOTE: All component dimensions given in U.S. inches
1 inch = 25.4 mm

TRACTOR -- MODEL NO. TC 138 (96051012404), PRODUCT NO. 960 51 01-24
 DRIVE **40**



drive-tex CRD_K46_pedal_32_r1

TRACTOR - - MODEL NO. TC 138 (96051012404), PRODUCT NO. 960 51 01-24

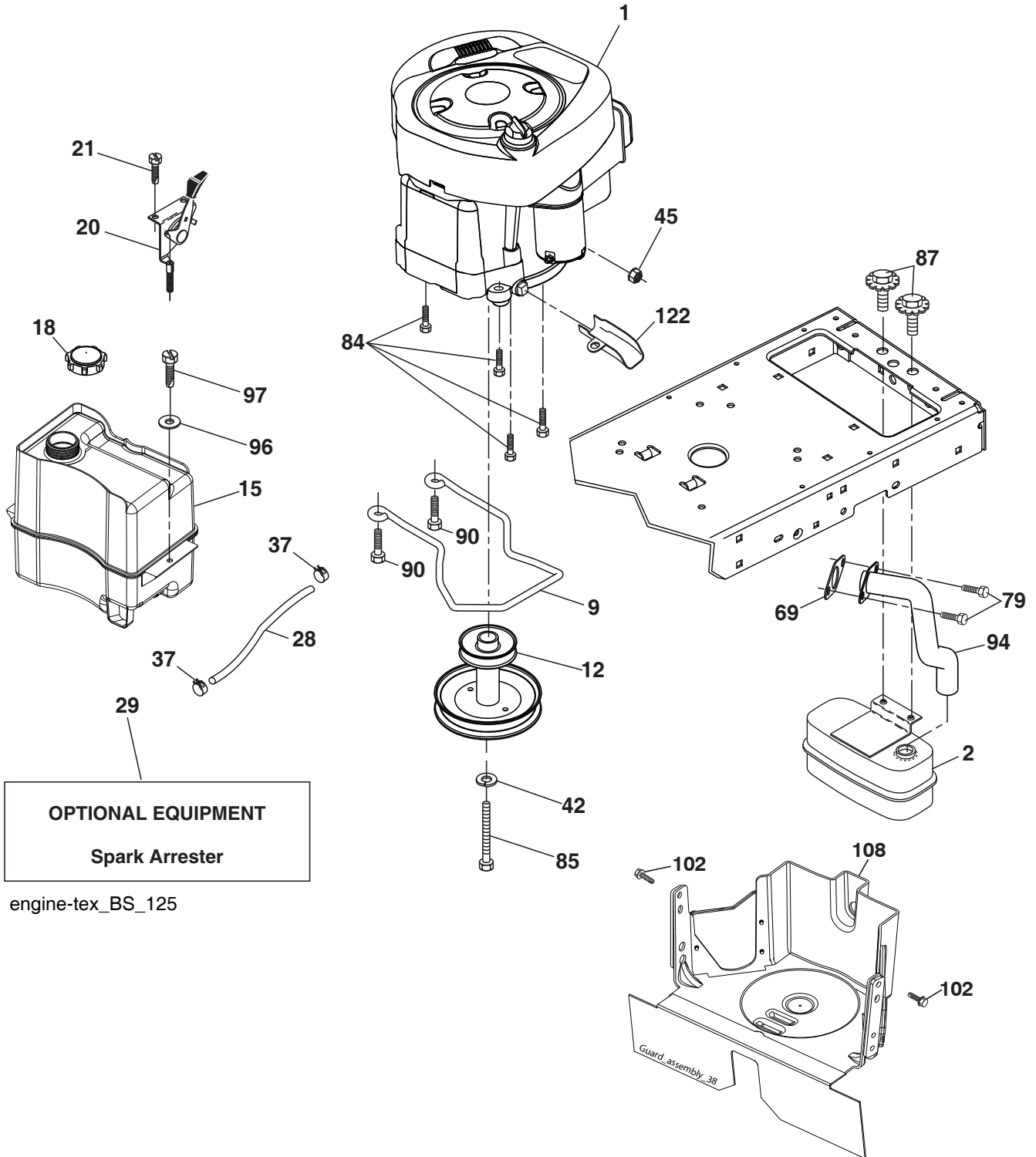
DRIVE 40

KEY NO.	PART NO.	DESCRIPTION	KEY NO.	PART NO.	DESCRIPTION
1	---	Transaxle, TUFFTORQ K46 DF (446488) (Order parts from trans-axle manufacturer.)	188	582 21 70-01	Link Clutch Ground Drive
2	532 12 35-83	Key Square	189	532 43 36-11	Bellcrank Ground Drive
6	532 12 40-28	Bushing Snap	195	580 45 69-01	Bracket Brake Rod
15	819 13 13-16	Washer 13/32 x 13/16 x 16 Ga.	203	819 11 11-16	Washer 11/32 x 11/16 x 16 Ga.
17	532 43 62-27	Spring, Brake	205	532 12 17-48	Washer 25/32 x 1-5/8 16 Ga.
29	532 43 58-81	Rod, Brake	210	532 40 09-80	Rocker Asm. Pedal
30	819 13 16-16	Washer 13/32 x 1 x 16 Ga.	214	532 42 12-63	Pedal Forward
33	812 00 00-01	Ring E	215	586 60 65-02	Pad Pedal Reverse
35	532 40 10-31	Rod, Brake, Park	211	532 12 01-83	Bearing Nylon
37	532 18 89-67	Washer .793 x 1.637 x 060	221	532 40 31-87	Retainer Spring
38	532 16 96-13	Nylon Snap In	222	879 21 20-10	Washer Flat
42	532 12 48-72	Cover, Foot Pedal	226	532 40 15-64	Bracket Mount Torque
49	872 11 06-14	Bolt 3/8-16 unc	227	817 49 05-12	Screw
50	532 19 43-27	Idler Flat	263	817 00 06-12	Screw Hexwsh Thdr 3/8-16 x 3/4
51	873 90 06-00	Lock Nut 3/8-16	268	532 18 24-02	Guard Muffler
52	532 19 43-26	Idler V-Groove	275	819 13 16-14	Washer 13/32 x 1 x 14 Ga.
56	592 85 51-01	V-Belt, Drive	279	532 44 42-83	Link Shift Hydro
61	532 43 77-88	Pulley Transaxle	280	819 11 10-12	Washer 11/32 x 5/8 x 12 Ga.
64	532 19 78-65	Shaft Asm. Pedal Brake Control	309	532 16 55-81	Plate Fstnr.
73	874 49 05-56	Bolt Hex 5/16-18 x 3.75	311	532 16 98-45	Washer Nylon
90	532 44 36-05	Keeper Belt Clutching	312	532 16 56-14	Hub Tapered
99	532 44 39-47	Rod Bypass	313	874 78 04-16	Bolt Hex Fin 1/4-20 unc x 1.GD5
103	873 35 05-00	Nut 5/16-18 unc	314	532 44 47-13	Retainer, Belt
116	873 90 05-00	Nut Lock Hex Flange 5/16-18	315	817 58 05-20	Screw Thdrol 5/16-18 x 4.25
125	817 00 05-12	Screw 5/16-18 x 3/4	319	532 43 67-94	Spacer Transaxle Tex CRD
140	810 04 04-00	Washer Lock Hvy. Helical 1/4	320	532 18 76-90	Washer Spacer
143	539 99 08-58	Screw Thdrol 5/16-18 x 1/2 TYTT	335	532 19 95-34	Pulley V Idler Ground Drive
159	876 02 04-12	Pin Cotter 1/8 x 3/4	339	532 43 68-67	Strap Torue K46 CRD Tex
160	532 16 94-84	Retainer Clip	351	532 43 69-98	Bracket Deck Sway
161	532 10 57-09	Spring, Return, Clutch	352	532 43 58-19	Bracket Idler
163	532 43 66-32	Rod Control	353	532 43 65-77	Bracket Idler RH
166	532 42 91-64	Nut Push .625	355	532 43 56-69	Strap Torque
167	532 40 52-57	Latch Brake Parking	360	532 44 47-14	Nut Hex 5/16-24
175	532 42 93-59	Shaft Asm. Cross Shift	362	532 43 68-12	Idler Flat
183	532 13 70-57	Spacer Axle	364	532 44 30-32	Bracket Idler
184	532 41 14-84	Handle Park Brk.			
185	872 11 06-22	Bolt 3/8-16 unc x 2-3/4			
186	532 19 43-21	Spacer Retainer			

* Parts supplied by manufacturer

NOTE: All component dimensions given in U.S. inches
1 inch = 25.4 mm

TRACTOR - - MODEL NO. TC 138 (96051012404), PRODUCT NO. 960 51 01-24
ENGINE 24



**TRACTOR - - MODEL NO. TC 138 (96051012404), PRODUCT NO. 960 51 01-24
ENGINE 24**

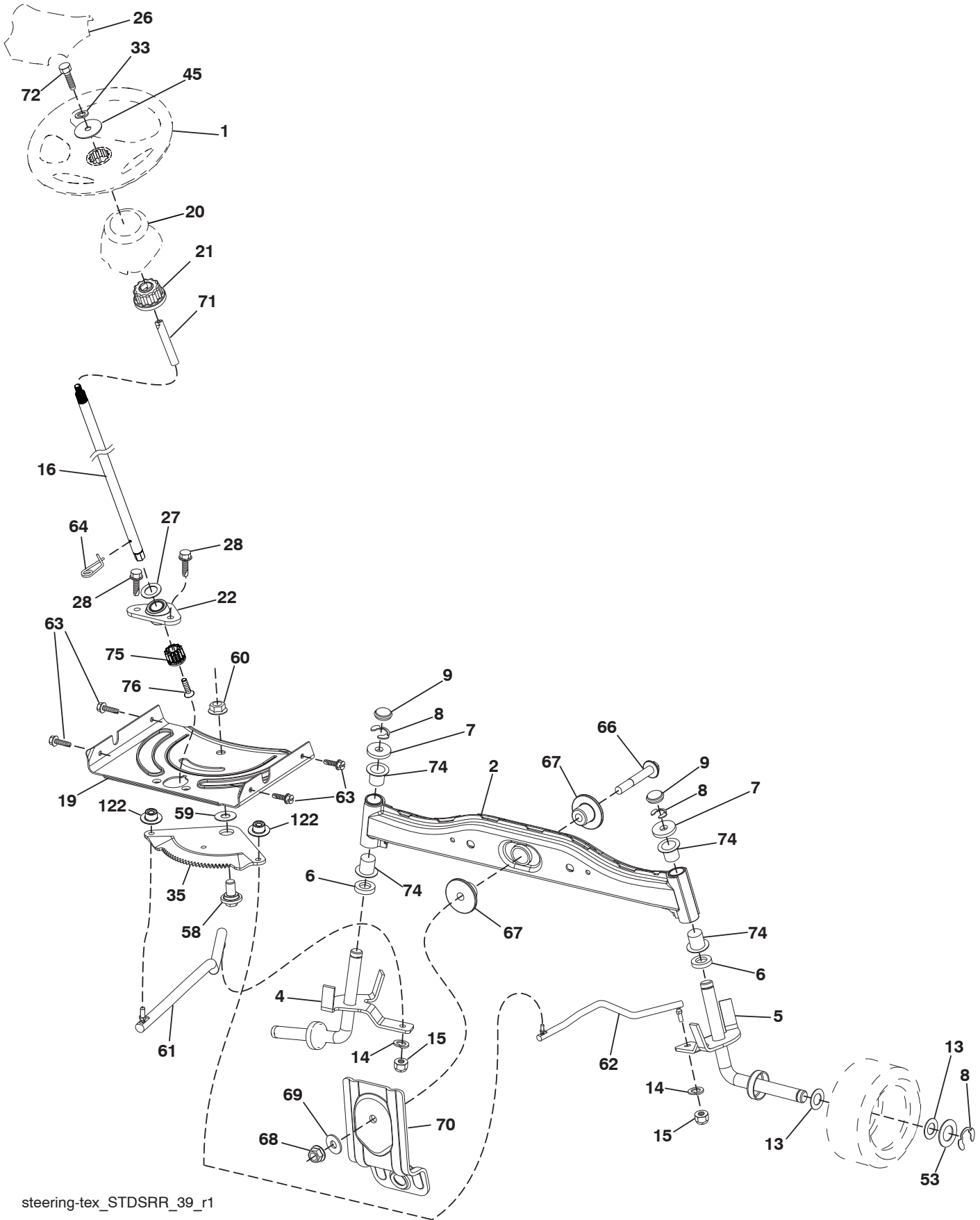
KEY NO.	PART NO.	DESCRIPTION
1	-----	Engine B&S Model No. 31R577-0027-B1(587333501) (Order parts from engine manufacturer.)
2	532 18 86-55	Muffler
9	501 83 26-02	Keeper Belt Engine
12	586 47 85-01	Pulley Engine
15	581 28 99-01	Tank Fuel 1.5
18	532 43 02-20	Cap Fuel
20	587 24 26-01	Control Throttle
21	532 41 63-58	Screw #10 x 0.750 BOS Thread
28	532 13 70-40	Fuel Line
29	532 13 71-80	Spark Arrester Kit
37	532 12 34-87	Clamp Hose
42	539 99 02-47	Lock Washer Hvy. 7/16
45	873 51 04-00	Nut Keps Hex 1/4-20 unc
69	532 16 52-91	Gasket
79	532 19 23-34	Screw Socket HD 5/16-18 x .75
84	817 06 06-20	Screw
85	501 60 65-01	Bolt Hex 7/16-20 x 4 x Gr. 5-1.5 Thr
87	532 17 18-77	Bolt 5/16-18 unc x 3/4
90	817 00 06-16	Screw 3/8-16 x 1
94	581 88 09-01	Exhaust Tube
96	819 09 14-16	Washer 9/32 x 7/8 x 16 Ga.
97	817 67 04-12	Screw 1/4-20 x 3/4
102	817 06 05-16	Screw 5/16-18 x 1
108	587 17 95-10	Cover Pulley Eng. w/SHLD
122	532 42 19-22	Extension Drain Oil

NOTE: All component dimensions given in U.S. inches
1 inch = 25.4 mm

Engine Power Rating Information

The gross power rating for individual gas engine models is labeled in accordance with SAE (Society of Automotive Engineers) code J1940 (Small Engine Power & Torque Rating Procedure), and rating performance has been obtained and corrected in accordance with SAE J1995 (Revision 2002-05). Torque values are derived at 3060 RPM; horsepower values are derived at 3600 RPM. Actual gross engine power will be lower and is affected by, among other things, ambient operating conditions and engine-to-engine variability. Given both the wide array of products on which engines are placed and the variety of environmental issues applicable to operating the equipment, the gas engine will not develop the rated gross power when used in a given piece of power equipment (actual "on-site" or net power). This difference is due to a variety of factors including, but not limited to, accessories (air cleaner, exhaust, charging, cooling, carburetor, fuel pump, etc.), application limitations, ambient operating conditions (temperature, humidity, altitude), and engine-to-engine variability. Due to manufacturing and capacity limitations, Briggs & Stratton may substitute an engine of higher rated power for this Series engine.

TRACTOR - - MODEL NO. TC 138 (96051012404), PRODUCT NO. 960 51 01-24
STEERING ASSEMBLY [41]



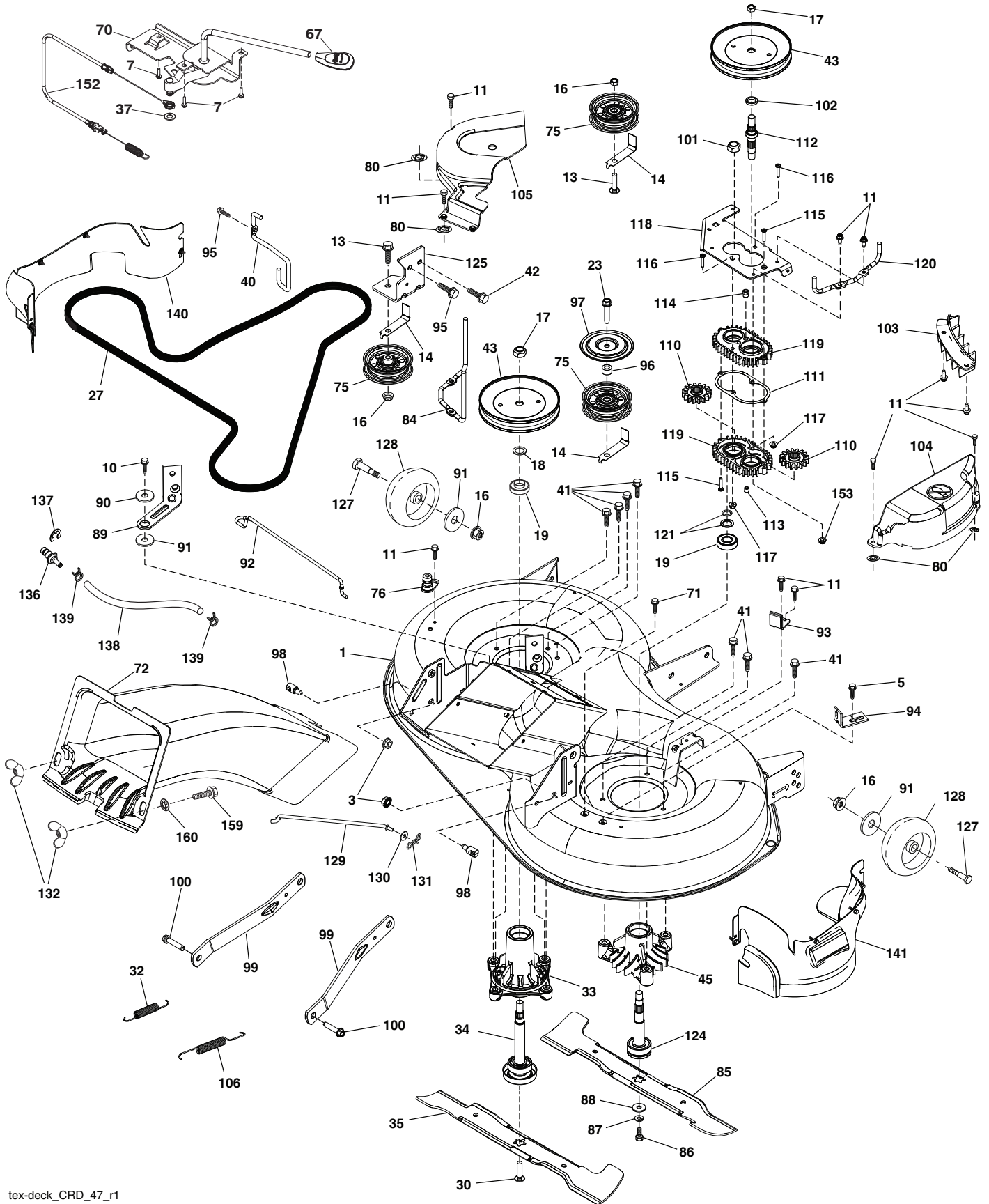
steering-tex_STDSRR_39_r1

TRACTOR - - MODEL NO. TC 138 (96051012404), PRODUCT NO. 960 51 01-24
STEERING ASSEMBLY 41

KEY NO.	PART NO.	DESCRIPTION
1	532 43 99-97	Wheel, Steering
2	532 41 81-68	Axle Asm.
4	532 40 30-87	Spindle Asm., LH
5	532 40 30-88	Spindle Asm., RH
6	532 12 49-31	WasherThrust Harden
7	532 12 17-48	Washer 25/32 x 1-5/8 x 16 Ga.
8	812 00 00-29	Ring, Klip #T5304-75
9	532 12 12-32	Cap, Spindle
13	532 12 17-49	Washer 25/32 x 1-1/4 x 16 Ga.
14	539 99 01-18	Washer, SLW ZD 3/8
15	873 54 06-00	Nut, Crown Lock 3/8-24 unf
16	585 86 92-02	Steering Shaft
19	532 19 47-29	Plate Steering
20	532 44 14-25	Boot, Steering
21	532 18 67-37	Adapter, Wheel Steering
22	585 02 98-02	Bearing
26	532 43 97-43	Insert, Wheel Steering
27	819 21 16-16	Washer 21 x 32 x 1 x 16 Ga.
28	817 00 06-12	Screw 3/8-16 x 3/4
33	539 99 01-87	Washer Lock 5/16
35	532 19 47-32	Gear, Sector Plate
45	819 11 38-12	Washer 11/32 x 3/8 x 12 Ga.
53	532 18 89-67	Washer Hardened .793 x 1.637 x .060
58	532 19 47-47	Bolt Shoulder Sector Pivot CFM
59	532 19 47-48	Washer Thrust Sector Steering
60	873 97 10-00	Nut Flange Lock 5/8-11
61	532 19 47-40	Draglink, LH
62	532 19 47-41	Draglink, RH
63	817 00 05-12	Screw 5/16-18 x 3/4
64	532 19 98-49	Retainer Clip Spring Steering
66	871 02 07-48	Bolt Hex Fghd 7/16-14 x 3 Serr
67	532 19 47-37	Bushing PM Front Axle
68	873 90 07-00	Nut Lock Flange 7/16-14 Gr. 5
69	532 19 91-62	Washer 1.5 x .505 x .118
70	585 33 88-01	Bracket Deck Susp. Front
71	532 19 07-52	Shaft Extension Steering
72	532 42 89-82	Bolt Fin Hx 5/16-18 x 4
74	532 12 49-37	Bearing
75	580 68 37-01	Pinion
76	580 68 36-01	Screw Head Sock
122	532 44 49-62	Cap Gear Sector
--	501 76 20-01	Kit ID Box (Includes Key#'s 1, 20, 21, 26, 33, 45, 71, & 72). This kit also includes bagger parts (532 43 66-41 Full Bagger Lever); refer to pages 6 & 7 in this IPL, (873 90 04-00 Nut Hex Flange 1/4-20 unc), (532 42 16-14 Spring Latch Bagger), (817 49 04-12 Screw 1/4-20 x 3/4); refer to pages 18 & 19 in this IPL.

NOTE: All component dimensions given in U.S. inches
1 inch = 25.4 mm

TRACTOR - - MODEL NO. TC 138 (96051012404), PRODUCT NO. 960 51 01-24
 MOWER DECK **44**



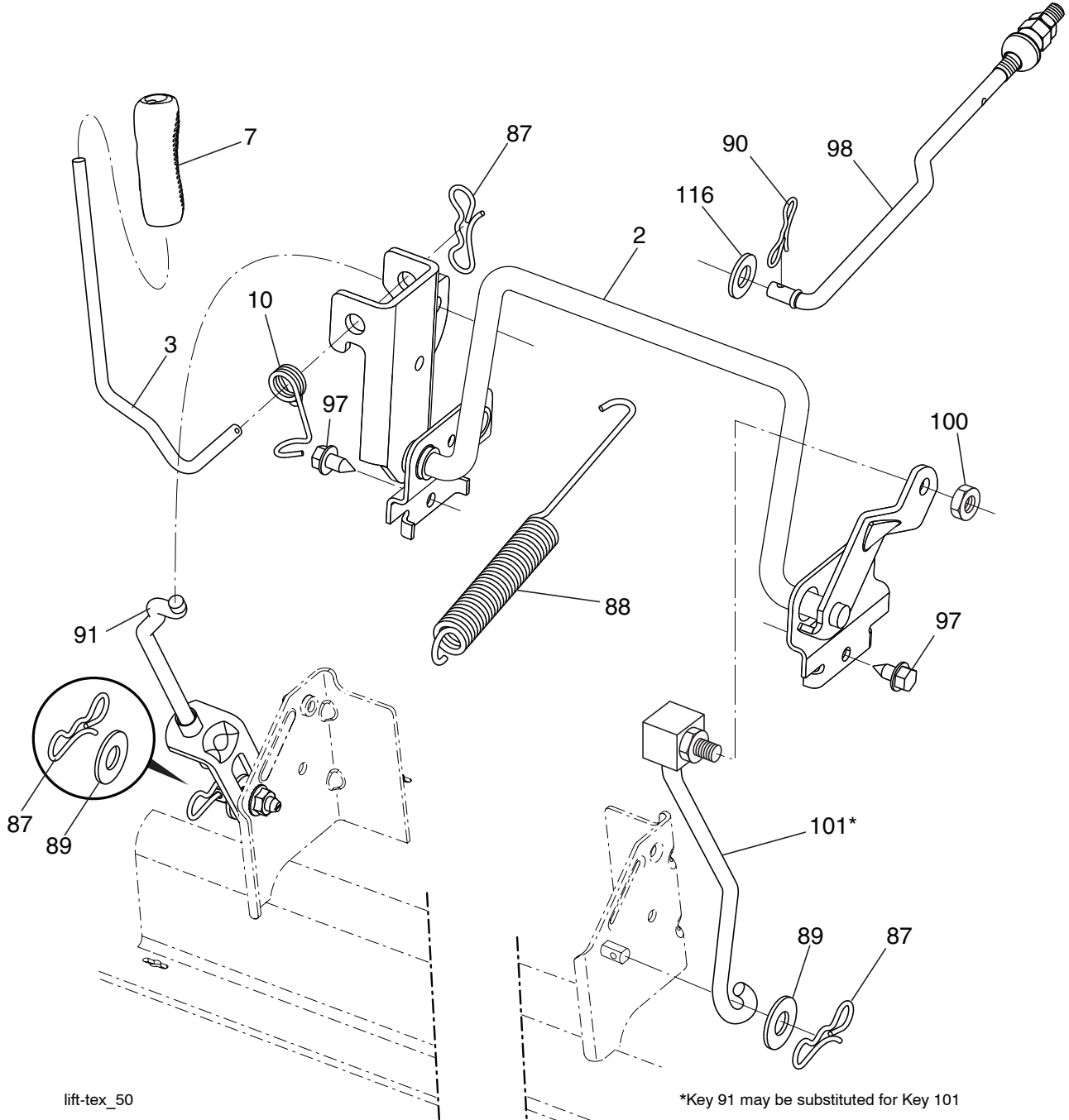
tex-deck_CRD_47_r1

TRACTOR - - MODEL NO. TC 138 (96051012404), PRODUCT NO. 960 51 01-24
MOWER DECK **44**

KEY NO.	PART NO.	DESCRIPTION	KEY NO.	PART NO.	DESCRIPTION
1	532 44 09-71	Deck Weldment	104	532 43 89-68	Mandrel Cover RH
3	873 90 05-00	Nut Lock Hex Flange 5/16 - 18	105	532 43 87-44	Mandrel Cover LH
5	817 00 05-10	Bolt 5/16-18	106	532 19 32-16	Spring Brake Return
7	532 41 63-58	Screw #10 x 0.750 BOS Thread	110	587 93 48-01	Gear Output
11	532 13 77-29	Screw Thd Roll 1/4 - 20 X 5/8	111	532 43 69-79	Gasket Gearcase
13	872 11 06-12	Bolt Carr Sh 3/8 - 16 x 1-1/2 Gr. 5	112	532 44 38-52	Shaft Gearcase Adapter
14	532 15 60-85	Keeper Belt Idler	113	532 43 85-33	Plug Oil
16	873 90 06-00	Nut Lock FIG 3/8 - 16 unc	114	588 17 05-01	Valve Relief
17	532 40 02-34	Nut Flange Lock Top	115	818 03 10-16	Screw Torx #10-24 x 1
18	532 18 76-90	Washer Special	116	872 11 04-14	Bolt 1/4-20 x 1.75 Gr. 5
19	585 32 39-01	Bearing Ball Mandrel	117	873 90 04-00	Nut Hex Flange 1/4-20 unc
23	817 49 06-28	Screw Thdrol 3/8 - 16 X 1-3/4	118	532 43 69-89	Arm Clutching
10	817 00 06-16	Screw 3/8-16x1 smgml tap	119	532 43 81-66	Gearcase Subasm
27	532 43 97-26	V-Belt Drive	120	532 43 69-91	Keeper Belt RH
30	584 30 93-01	Screw Sems 7/16-20 x 1 Hex Head	121	532 43 69-85	Washer
32	532 40 18-72	Spring Return Deck	124	532 43 69-86	Non Greasable Mandrel Shaft
33	532 18 72-81	Housing Mandrel 4pt Service	125	532 44 04-20	Bracket Idler Chassis
34	587 25 65-01	Shaft Asm	127	532 19 34-06	Bolt Shoulder 3/8-16 x 3-5/8 Gr. 5
35	532 42 79-84	Blade Mower LH	128	589 52 73-01	Wheel Gauge
37	819 13 13-16	Washer 13/32 x 13/16 x 16 Ga.	129	532 40 48-51	Rod Anti-Sway
40	532 19 72-58	Keeper Belt Engine LH	130	819 13 13-12	Washer 13/32 x 13/16 x 12 Ga.
41	584 95 39-01	Bolt Hex	131	532 19 42-08	Pin Cotter 5/16 Bow Tie Lock
42	817 00 05-12	Screw 5/16-18 x 3/4	132	532 17 88-99	Knob Handle 3/8-16
43	532 19 74-73	Pulley Mandrel	136	532 43 96-39	Washout Port
45	532 13 71-52	Housing Mandrel	137	812 00 00-29	Ring Clip
67	532 40 30-12	Handle Clutch Cable	138	532 44 07-43	Hose
70	532 40 12-46	Clutch Asm Manual LT Pred	139	532 44 07-42	Hose Clamp
71	817 67 06-08	Screw 3/8-16 x 1/2	140	501 57 94-01	LH Guard
72	582 03 56-01	Chute Upper	141	501 57 93-01	RH Guard
75	532 13 14-94	Pulley Idler Flat	152	532 44 04-88	Cable Clutch Manual w/Spring
76	532 43 96-40	Washout Port	153	593 27 46-01	Nut Hex 9/16-18 unf w/HD Epoxy-Lock
80	532 42 30-62	Pal Nut			
84	532 43 25-20	Keeper Belt LH Mandrel	159	872 14 06-14	Bolt 3/8-16 unc x 1-3/4
85	532 42 79-85	Blade Mower RH	160	532 16 89-37	Nut Push
86	532 18 17-13	Bolt 3/8-24 x 1.50 Gr. 8	--	587 25 33-01	Mandrel Assembly (Includes Housing Assembly (key#33), Shaft Assembly (key#34) and Bearing Only (key#19) - Pulley/ Nut/Washer And Blade Bolt/ Washers Not Included)
87	539 99 01-18	Washer Lock Hvy. 3/8			
88	532 14 02-96	Washer Hard			
89	532 43 81-24	Arm Brake 97 LH			
90	532 19 90-92	Spacer Retainer			
91	819 13 20-12	Washer 13/32 x 1-1/4 x 12 Ga.			
92	532 43 69-93	Rod Brake Assembly	--	532 44 81-32	Gear Case Kit. Use .75 oz. Shell 460 Oil. (Include Gear Output (key #110), Gasket Gearcase (key #111), Shaft Gearcase (key #112), Plug Oil (key #113), Vent Breather 1/8 NPT (key #114), Screw Torx (key #115), Gearcase Subasm (key #119).
93	532 43 81-25	Arm Brake RH			
94	532 19 72-50	Bracket Clutch Cable			
95	817 00 06-12	Screw 3/8-16 x 3/4			
96	532 40 02-71	Spacer			
97	532 18 20-61	Shield Idler Mower			
98	532 19 51-61	Stud Fastener			
99	532 19 51-86	Arm Suspension Mower Rear			
100	532 19 65-39	Bolt Shoulder	--	587 49 20-01	Replacement Mower Complete
101	873 68 09-00	Nut Crownlock 9/16 - 18 unc			
102	532 40 25-11	Spacer Bearing Swing Plate			
103	532 43 69-92	Guard Front Vent			

NOTE: All component dimensions given in U.S. inches
1 inch = 25.4 mm

TRACTOR - - MODEL NO. TC 138 (96051012404), PRODUCT NO. 960 51 01-24
MOWER LIFT 45



lift-tex_50

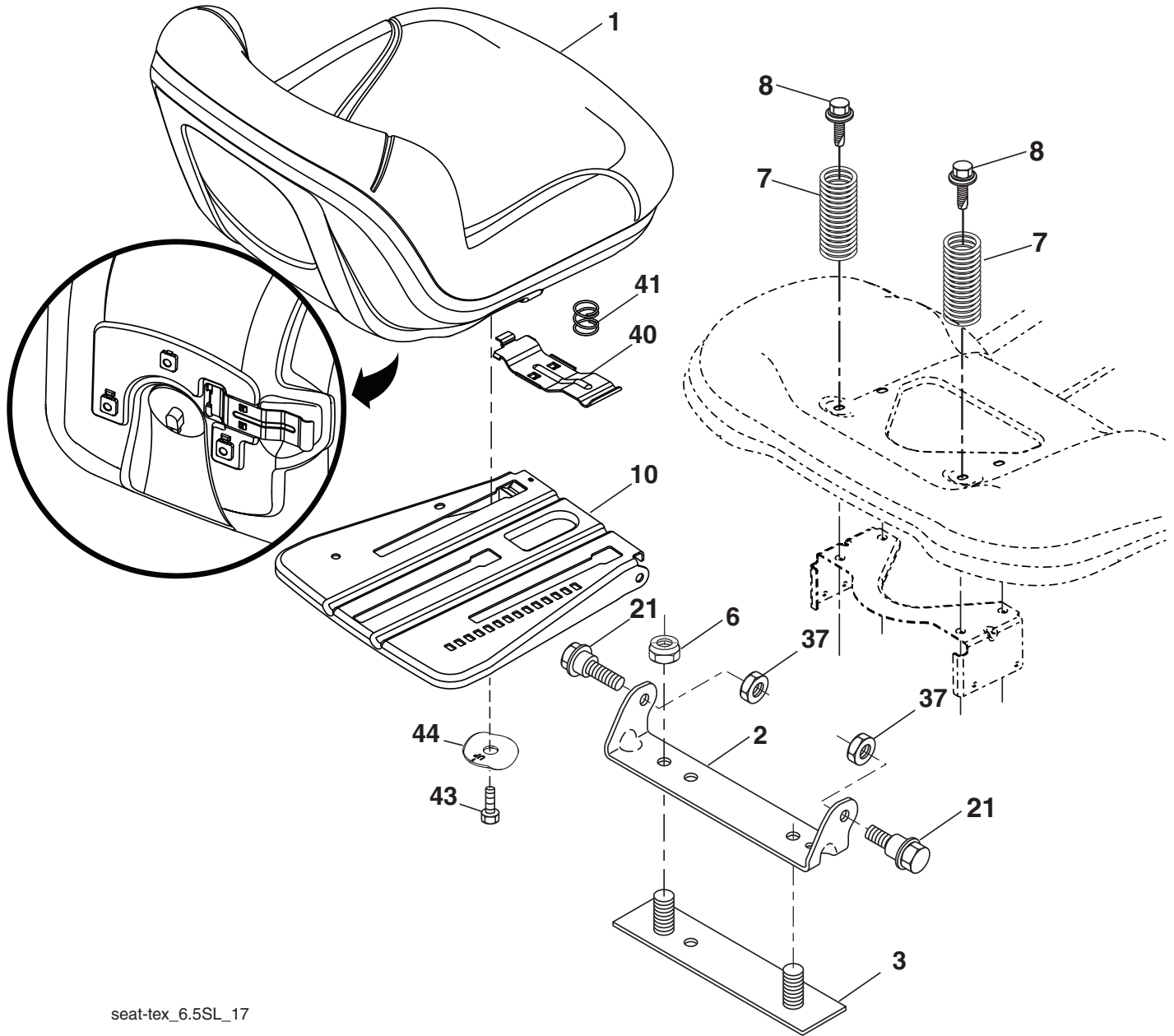
*Key 91 may be substituted for Key 101

KEY NO.	PART NO.	DESCRIPTION
2	532 43 69-96	Deck Lift
3	532 19 52-31	Lever Asm., Lift RH
7	580 96 23-01	Grip, Lever
10	532 19 63-14	Spring Torsion
87	532 19 42-09	Pin Cotter 7/16 Bow Tie Lock
88	532 44 54-96	Spring Lift Assist
89	819 19 19-12	Washer 17/32 x 1-3/16 x 12 Ga.
90	532 19 42-08	Pin Cotter 5/16 Bow Tie Lock
91	532 19 51-81	Link Lift Susp Mower Rear

KEY NO.	PART NO.	DESCRIPTION
97	817 49 06-08	Screw 3/8-16 x 1/2
98	532 19 52-70	Link Lift Susp. Front Mower
100	873 93 06-00	Nut Centerlock
101	532 40 70-03	Link Asm. Lift
116	819 15 15-16	Washer 15/32 x 15/16 x 16 Ga.

NOTE: All component dimensions given in U.S. inches
 1 inch = 25.4 mm

**TRACTOR - - MODEL NO. TC 138 (96051012404), PRODUCT NO. 960 51 01-24
SEAT ASSEMBLY 42**



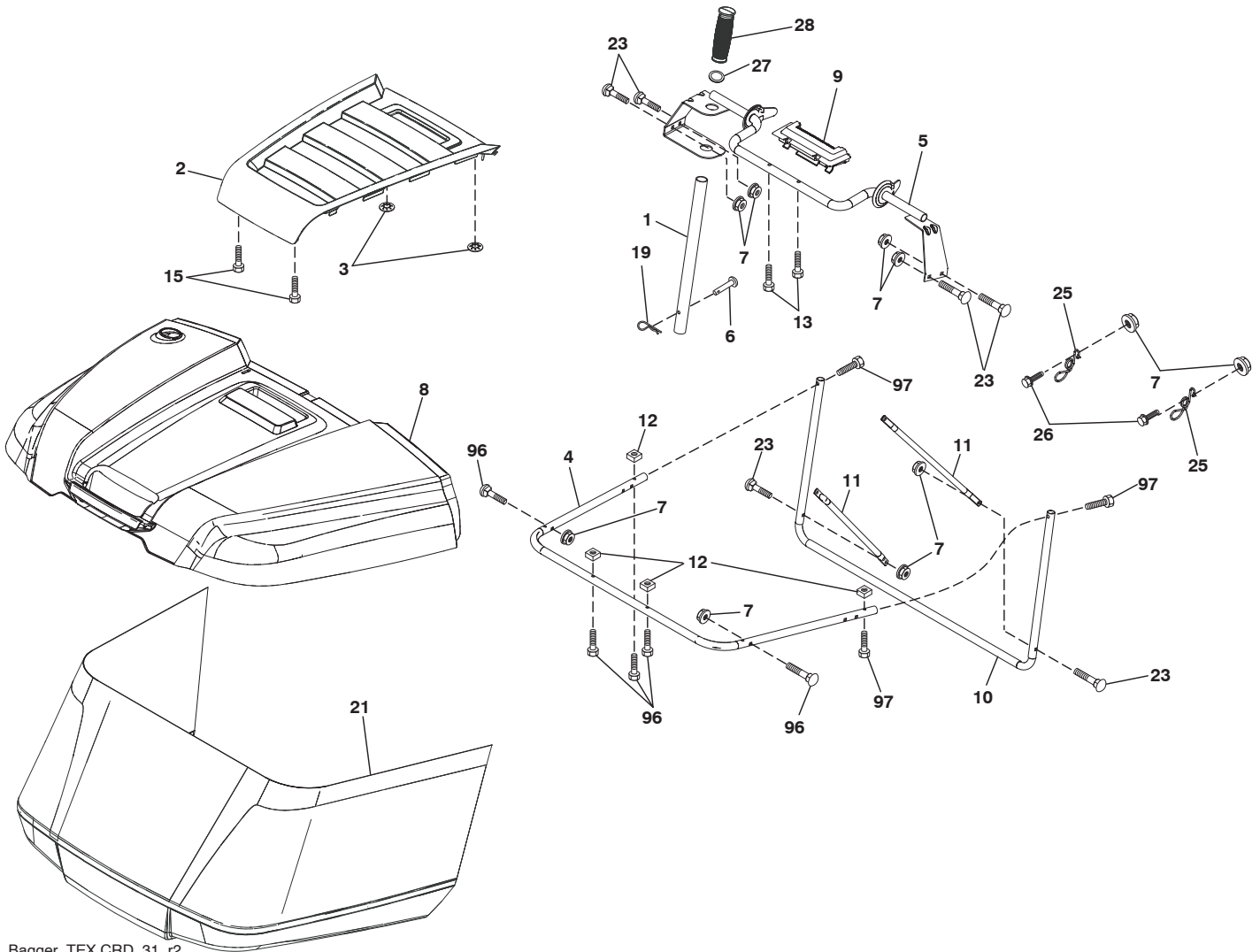
seat-tex_6.5SL_17

KEY NO.	PART NO.	DESCRIPTION
1	532 43 97-09	Seat
2	532 18 01-66	Bracket Pivot Fender
3	532 14 06-75	Strap, Asm. Fender
6	873 80 06-00	Nut, Lock w/Ins. 3/8-16 unc
7	589 48 35-01	Spring, Seat Cprsn.
8	532 17 18-77	Bolt 5/16-18 unc x 3/4 w/Sems.
10	587 23 20-02	Pan, Seat PLate
21	587 90 78-01	Bolt, Shoulder 5/16-18 x 5/8

KEY NO.	PART NO.	DESCRIPTION
37	873 80 05-00	Nut, Lock 5/16-18 unc
40	532 19 76-61	Handle
41	532 19 82-00	Spring
43	874 76 06-12	Bolt 3/8-16 unc x 3/4
44	501 05 18-01	Washer, Winged

NOTE: All component dimensions given in U.S. inches
1 inch = 25.4 mm

TRACTOR - - MODEL NO. TC 138 (96051012404), PRODUCT NO. 960 51 01-24
BAGGER 46



Bagger_TEX CRD_31_r2

**TRACTOR - - MODEL NO. TC 138 (96051012404), PRODUCT NO. 960 51 01-24
BAGGER 46**

KEY NO.	PART NO.	DESCRIPTION
1	532 42 86-10	Tube Handle Bagger
2	532 44 13-58	Applique
3	532 41 38-08	Nut Push .156
4	579 78 54-01	Frame Asm Bagger Top
5	532 41 76-32	Frame Asm Top Bagger
6	532 12 68-75	Rivet Drilled
7	873 90 04-00	Nut Hex Flange 1/4-20 unc
8	532 44 12-61	Cover Bagger
9	532 41 76-29	Insert Handle Bagger
10	532 43 67-70	Frame Front
11	532 43 67-71	Tubing Brace Bagger
12	532 42 17-93	Nut Square 1/4
13	532 42 17-80	Screw 1/4 x 1.150
15	532 42 18-01	Screw #8 Flat Head Drill Tip
19	532 19 42-08	Cotter Pin 5/16 Bow Tie
21	532 44 83-06	Bag Asm
23	872 04 04-10	Bolt Carr. 1/4-20
25	532 42 16-14	Spring Latch Bagger
26	817 49 04-12	Screw 1/4-20 x 3/4
27	532 42 12-62	Grommet Rubber
28	532 16 57-87	Grip Handle Black
96	501 40 66-01	Screw Hex Cap 1/4-20 x 1.500
97	590 10 57-01	Screw Torx Butn HD 1/4-20-1.5"

NOTE: All component dimensions given in U.S. inches
1 inch = 25.4 mm

