

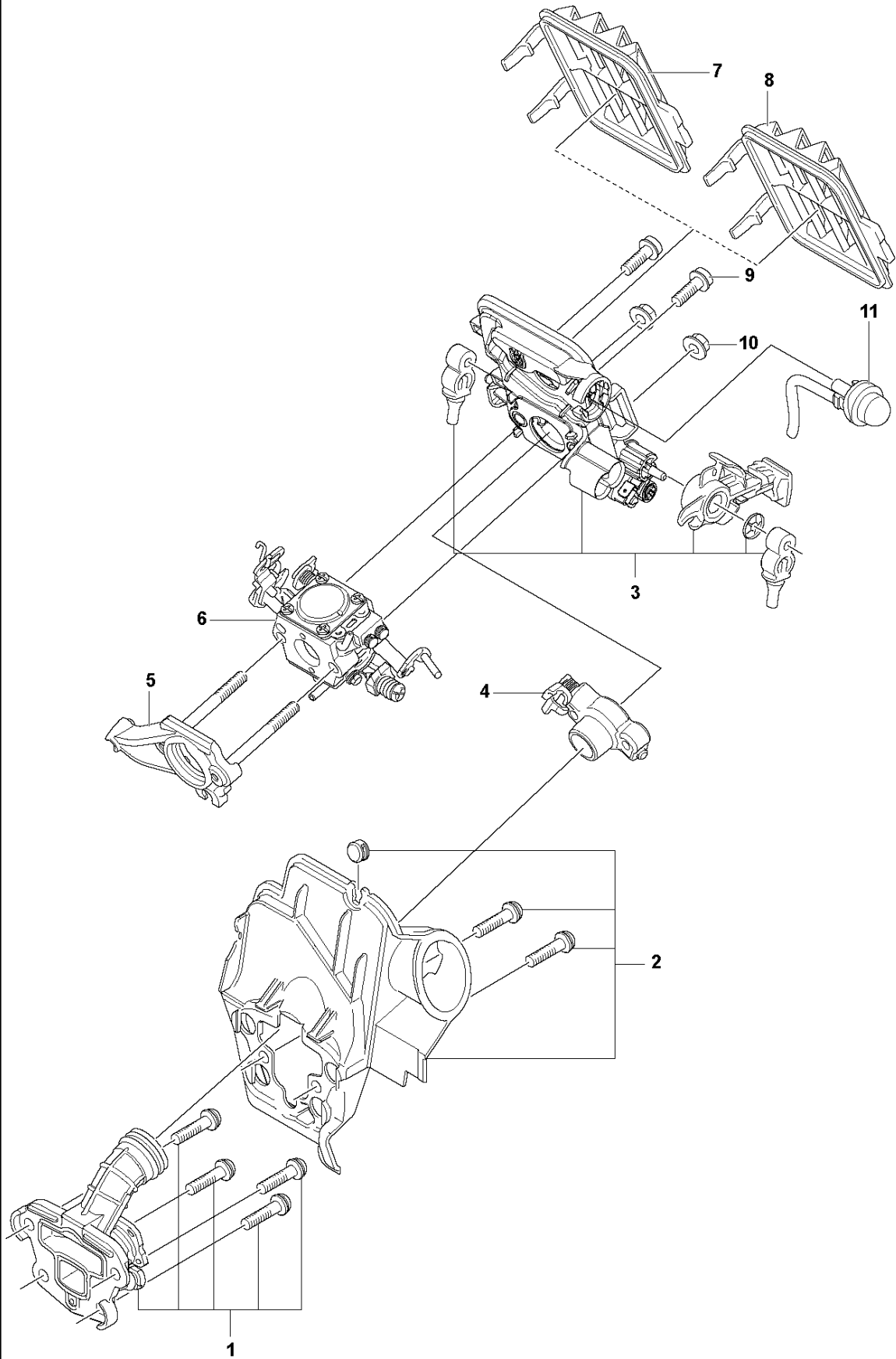


SPARE PARTS LIST

CHAIN SAWS

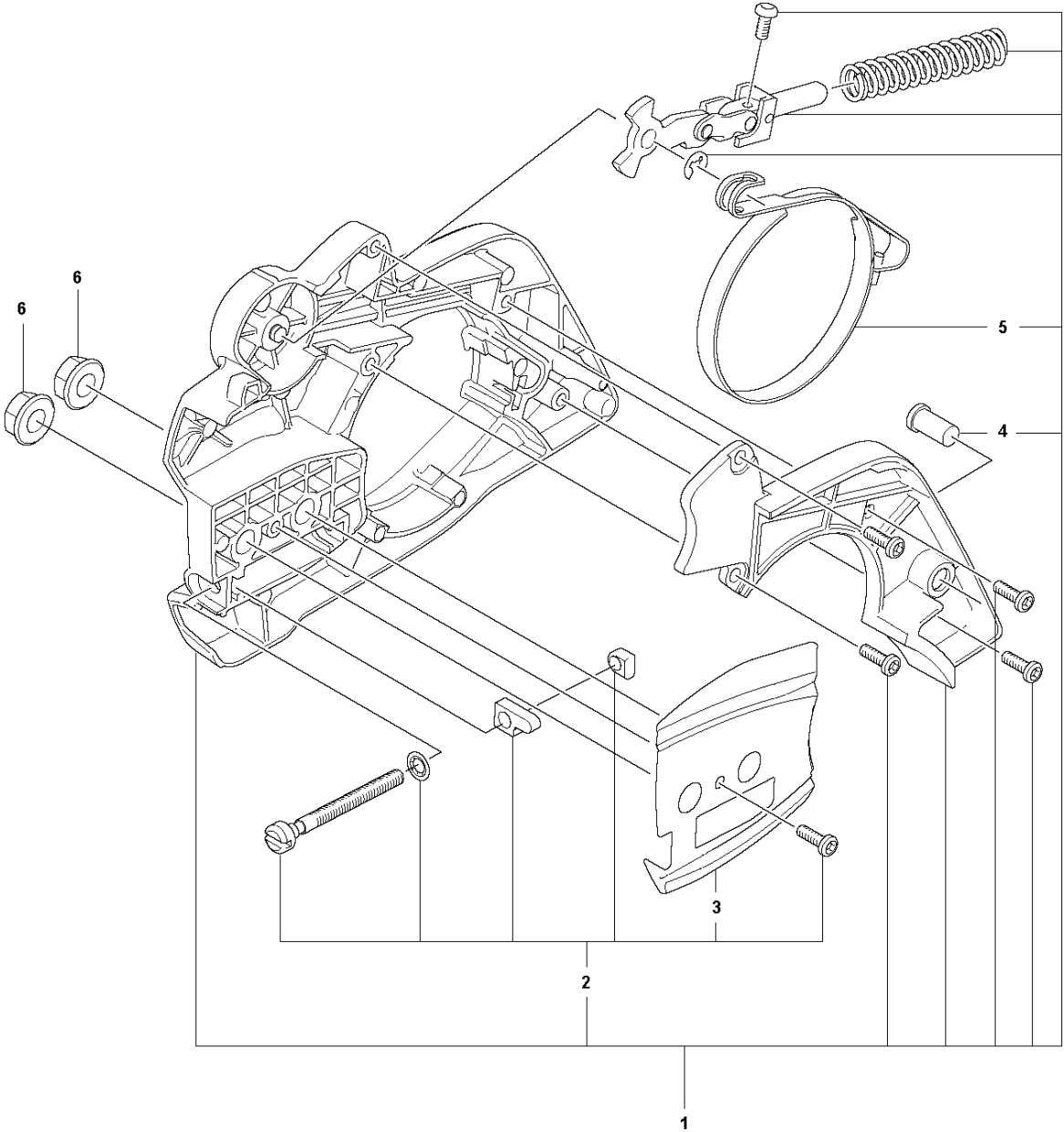
130

A 130
CARBURETOR & AIR FILTER



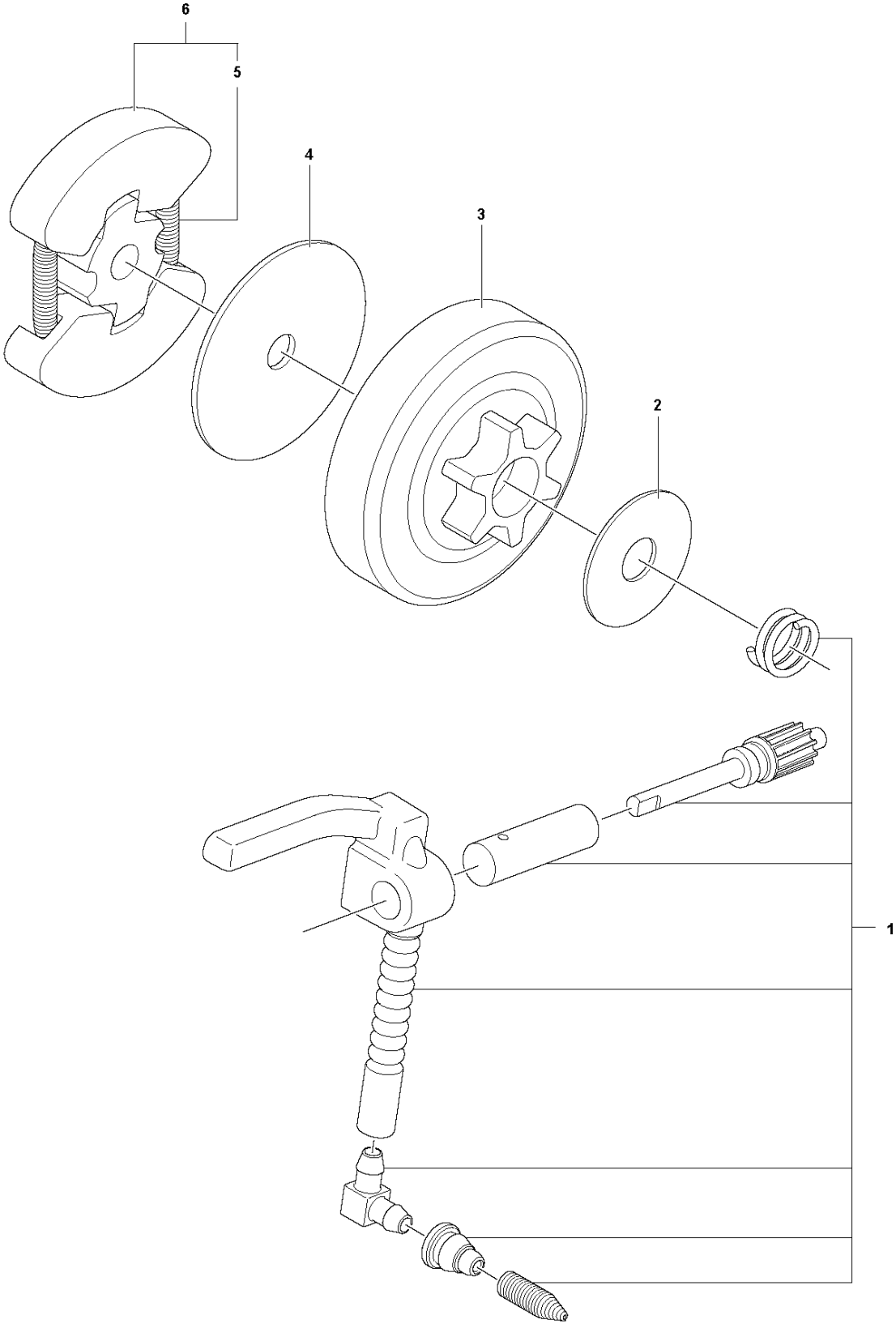
| Ref | Part No | Description | Remark | QTY KIT |
|-----|--------------|---------------|--------------------------------|---------|
| 1 | 591 46 39-01 | INLET | Intake Boot | 1 |
| 2 | 591 46 44-01 | SERVICE KIT | Insulation Wall | 1 |
| 3 | 591 46 45-01 | SERVICE KIT | Filter Holder | 1 |
| 4 | 501 74 94-01 | VALVE ASSY | | 1 |
| 5 | 589 28 92-01 | FLANGE | | 1 |
| 6 | 588 24 79-01 | CARBURETTOR | | 1 |
| 6 | 593 81 81-01 | CARBURETTOR | RUSSIA & LATIN AMERICA ONLY | 1 |
| 7 | 588 22 93-01 | AIR FILTER | Mesh Filter | 1 |
| 8 | 588 22 93-02 | AIR FILTER | Non-Woven Filter | 1 |
| 9 | 503 21 70-10 | SCREW CCRPANT | | 2 |
| 10 | 530 01 61-01 | NUT | | 2 |
| 11 | 503 93 66-01 | PURGE | | 1 |

B 130
CHAIN BRAKE & CLUTCH COVER



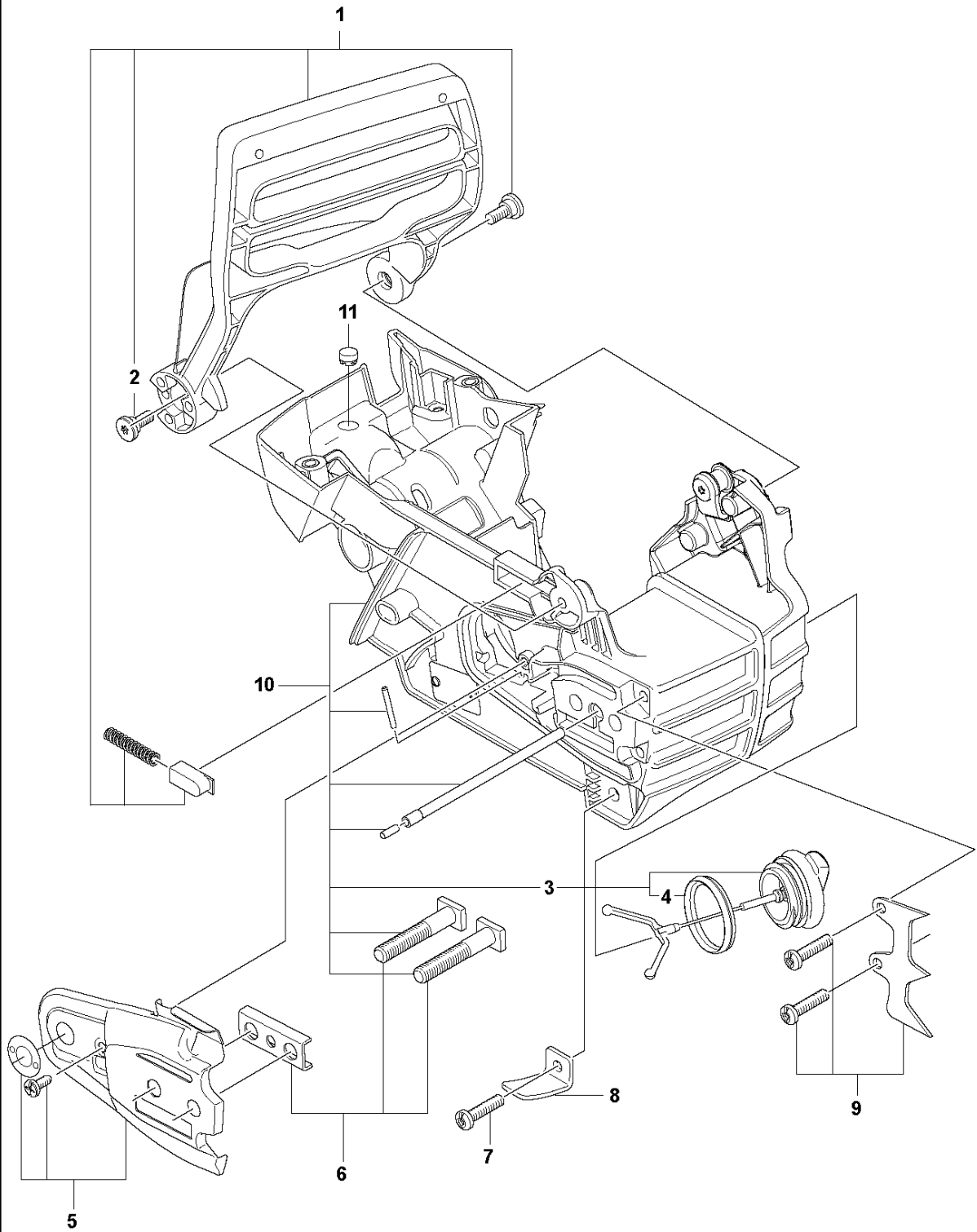
| Ref | Part No | Description | Remark | QTY | KIT |
|-----|--------------|-----------------|--------------|-----|-----|
| 1 | 591 46 47-01 | SERVICE KIT | Clutch Cover | 1 | |
| 2 | 591 46 46-01 | SERVICE KIT | Bar Adjuster | 1 | 1 |
| 3 | 582 64 76-01 | GUIDE PLATE | | 1 | 1,2 |
| 4 | 590 43 96-01 | GUIDE BUSHING | | 1 | |
| 5 | 544 30 60-01 | BRAKE BAND ASSY | | 1 | 1 |
| 6 | 530 01 59-17 | NUT | | 2 | |

C 130
CLUTCH & OIL PUMP



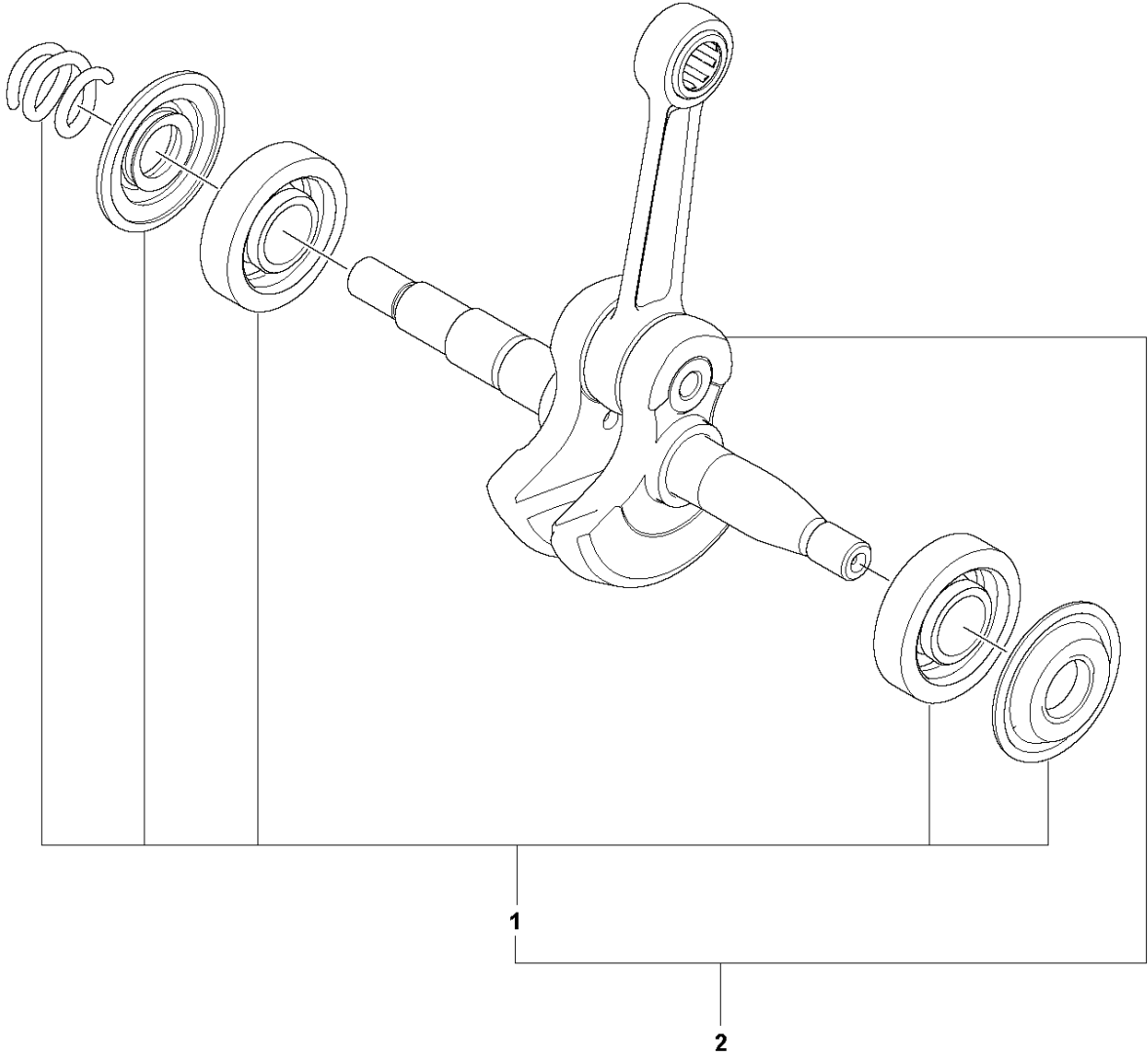
| Ref | Part No | Description | Remark | QTY | KIT |
|-----|--------------|------------------|----------|-----|-----|
| 1 | 591 46 68-01 | SERVICE KIT | OIL PUMP | 1 | |
| 2 | 579 62 15-01 | WASHER | | 1 | |
| 3 | 582 59 84-01 | CLUTCH DRUM ASSY | | 1 | |
| 4 | 530 01 56-11 | WASHER | | 1 | |
| 5 | 530 09 41-88 | SPRING | | 1 | 6 |
| 6 | 530 01 49-49 | CLUTCH | | 1 | |

D 130
CRANKCASE



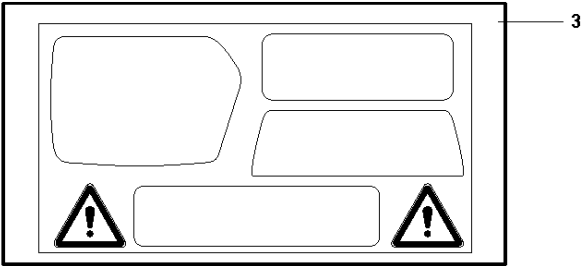
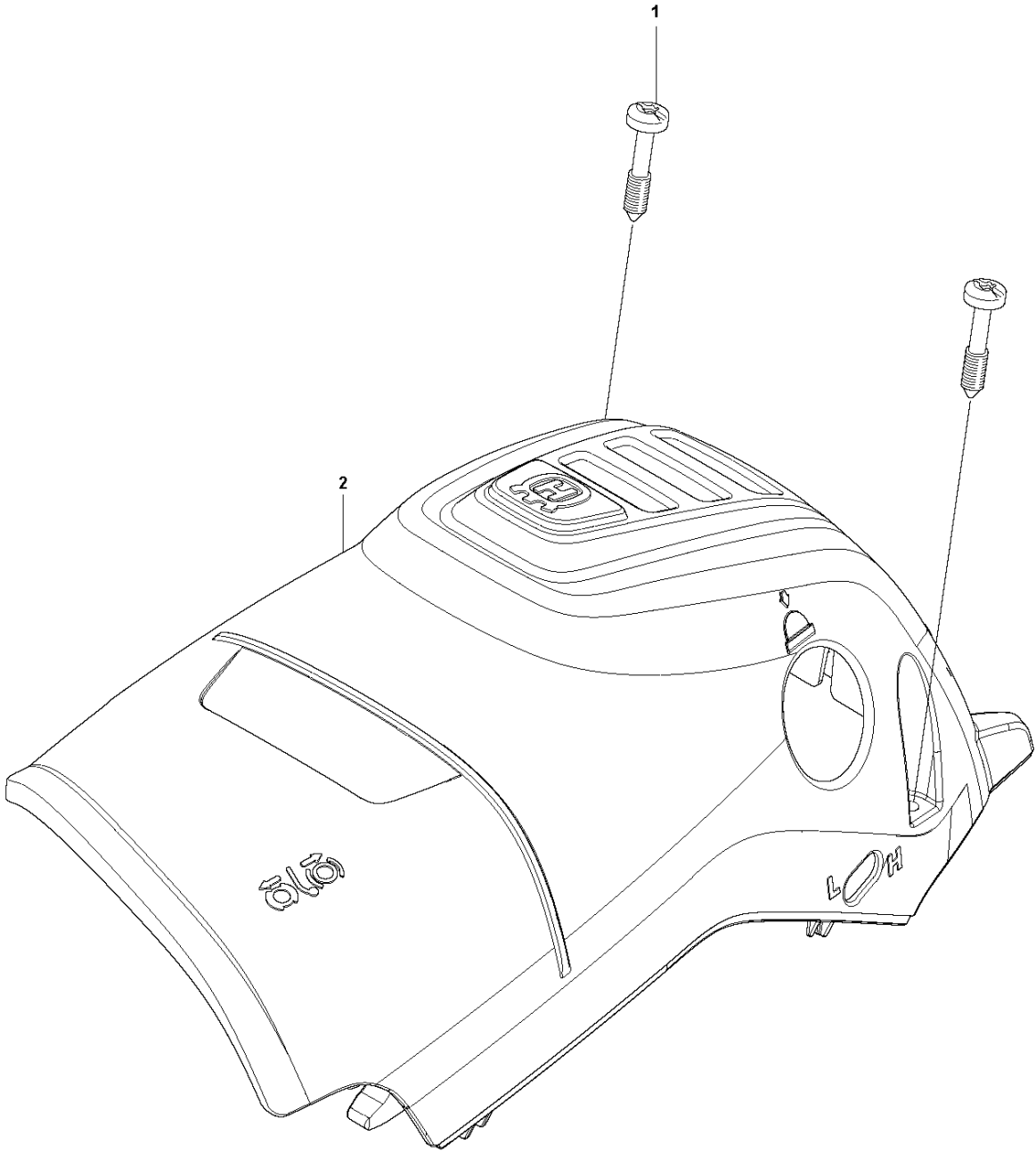
| Ref | Part No | Description | Remark | QTY | KIT |
|-----|--------------|---------------|--------------------|-----|------|
| 1 | 591 46 48-01 | SERVICE KIT | Hand Guard | 1 | |
| 2 | 545 12 73-01 | BOSS | SCREW | 2 | |
| 3 | 544 11 12-03 | TANK CAP ASSY | | 1 | 10 |
| 4 | 589 24 11-01 | GASKET | | 1 | 3,10 |
| 5 | 591 46 49-01 | SERVICE KIT | Bar Plate | 1 | |
| 6 | 591 46 50-01 | SERVICE KIT | Bar Bolt | 1 | |
| 7 | 530 01 64-32 | SCREW | | 1 | |
| 8 | 530 02 98-50 | CHAIN CATCHER | | 1 | |
| 9 | 530 01 43-81 | FELLING DOG | Spike Assembly Kit | 1 | |
| 10 | 591 46 53-01 | SERVICE KIT | Chassis | 1 | |
| 11 | 540 05 73-01 | SUPPORT | | 1 | |

E 130
CRANKSHAFT



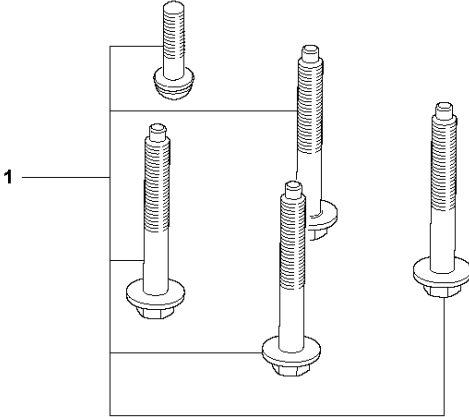
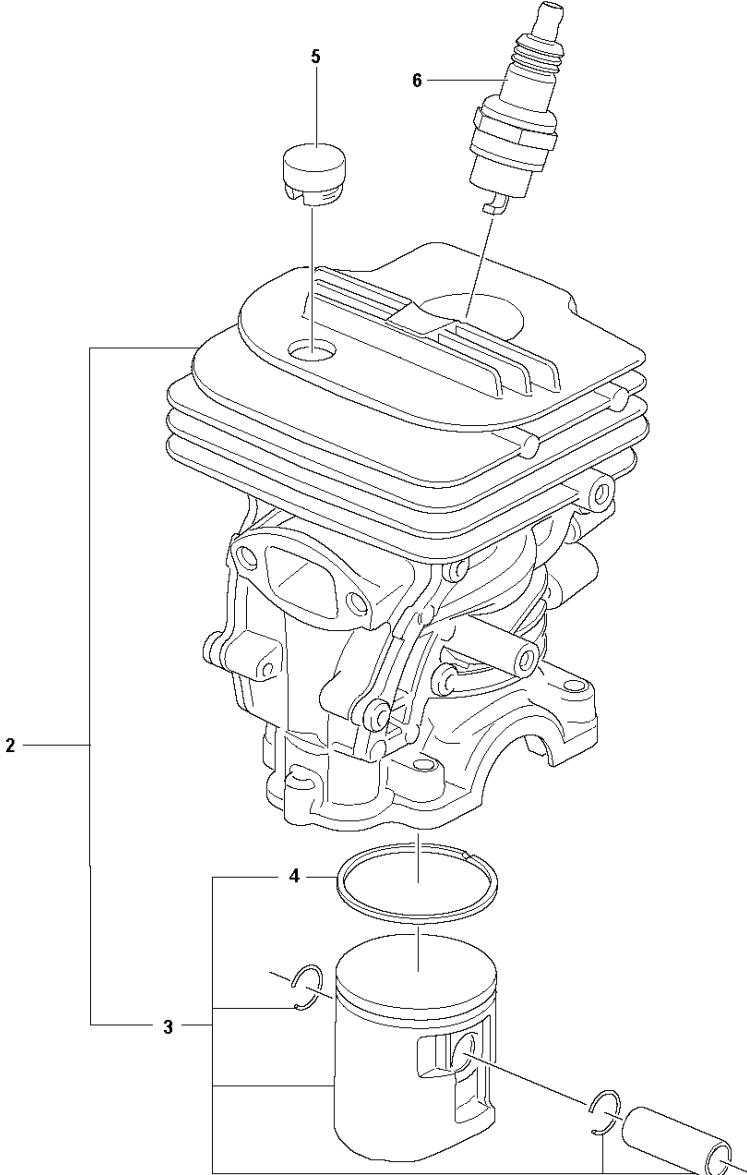
| Ref | Part No | Description | Remark | QTY KIT |
|-----|--------------|-----------------|-----------------|---------|
| 1 | 591 46 54-01 | BEARING KIT | Crankshaft Seal | 1 |
| 2 | 588 61 96-01 | CRANKSHAFT ASSY | | 1 |

F 130
CYLINDER COVER



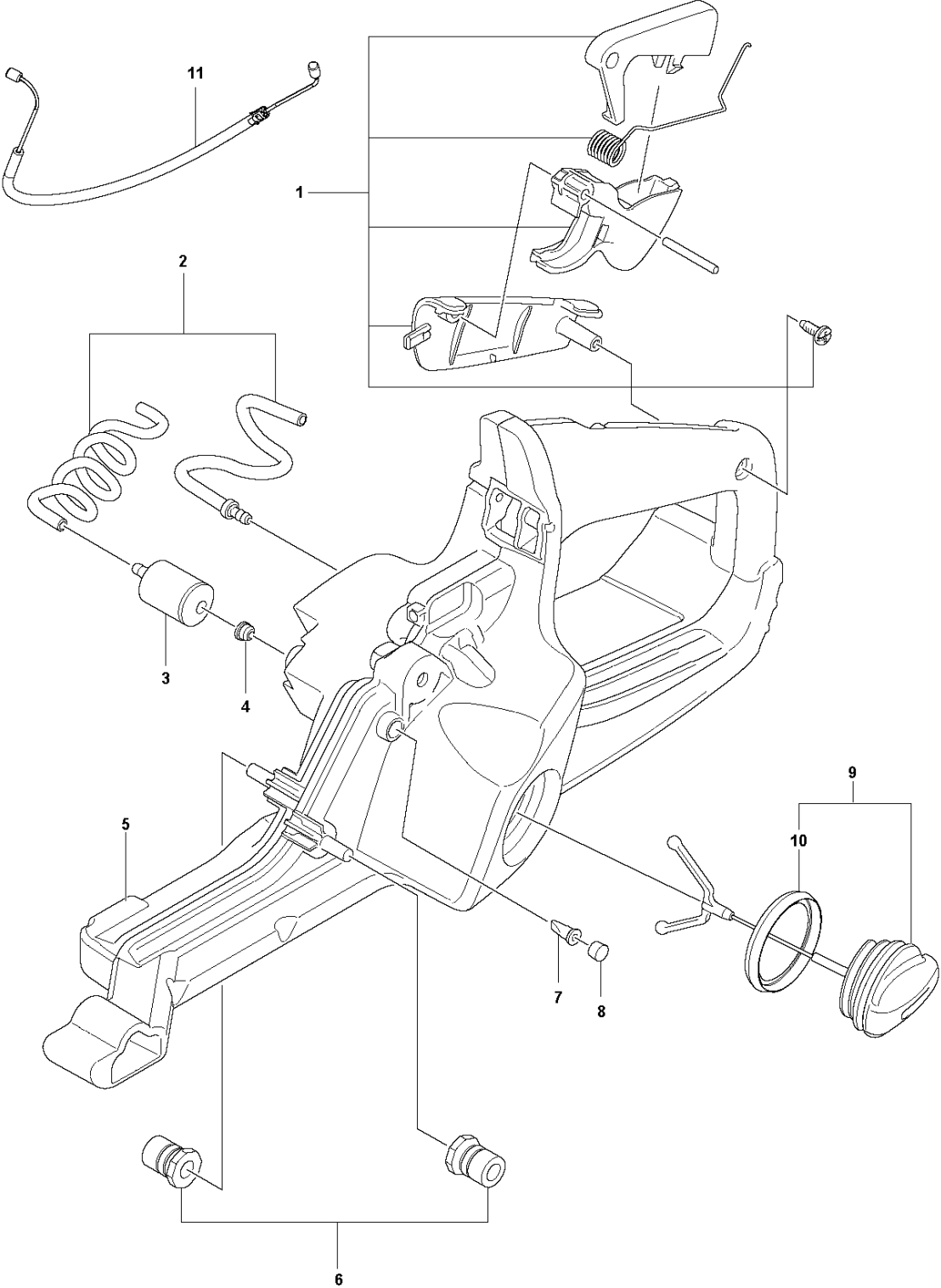
| Ref | Part No | Description | Remark | QTY KIT |
|-----|--------------|----------------|-----------|---------|
| 1 | 503 20 34-76 | SCREW CCRPANMO | | 3 |
| 2 | 596 39 48-01 | COVER | CYLINDER | 1 |
| 3 | 591 46 55-01 | SERVICE KIT | DECAL KIT | 1 |

G 130
CYLINDER PISTON



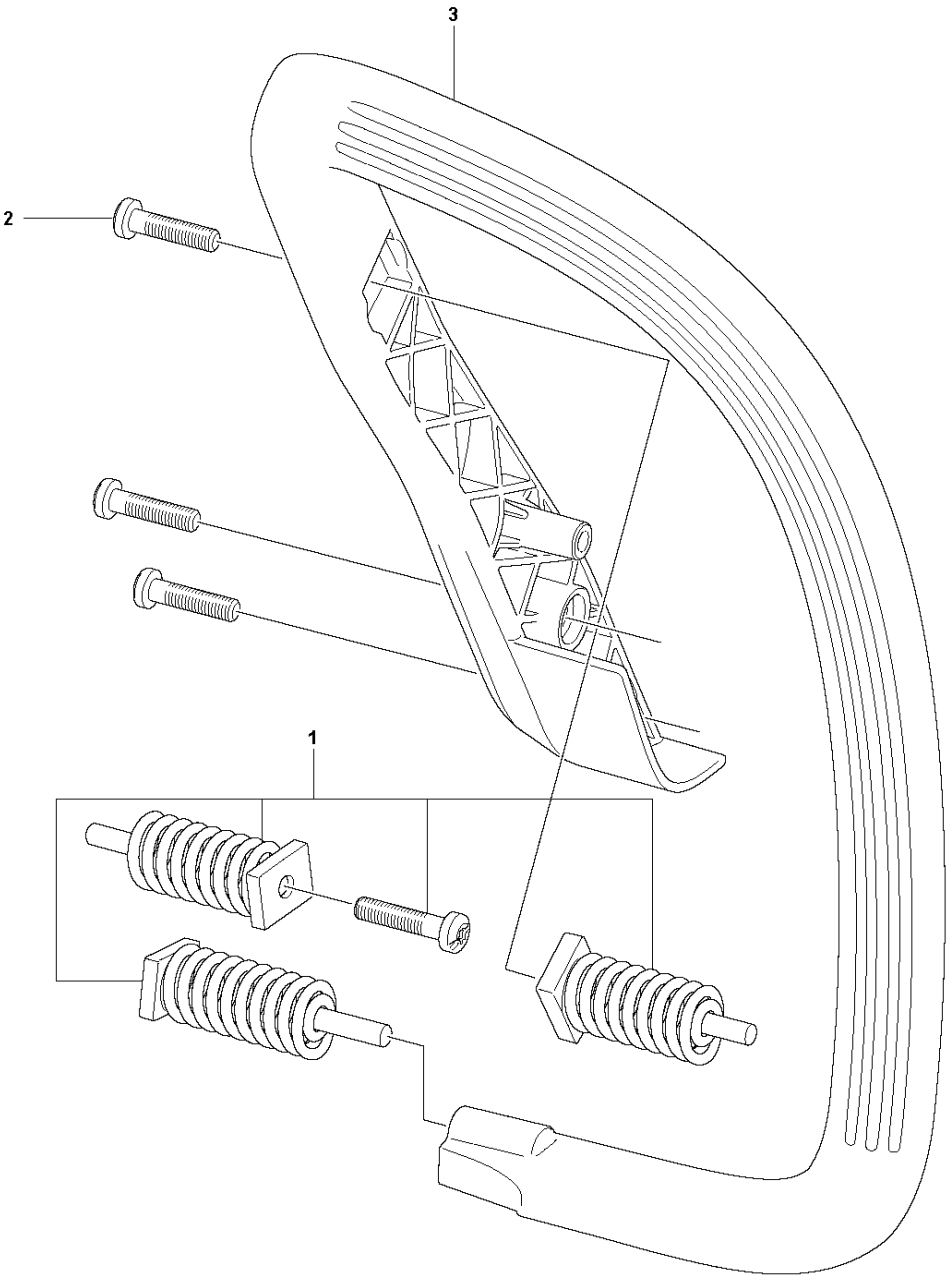
| Ref | Part No | Description | Remark | QTY | KIT |
|-----|--------------|-------------|-------------------|-----|-----|
| 1 | 591 46 56-01 | SERVICE KIT | Cylinder Bolt | 1 | |
| 2 | 591 46 57-01 | SERVICE KIT | Cylinder & Piston | 1 | |
| 3 | 591 46 57-02 | SERVICE KIT | Piston Kit | 1 | 2 |
| 4 | 585 04 06-01 | PISTON RING | | 1 | 2,3 |
| 5 | 590 40 99-01 | SUPPORT | | 1 | |
| 6 | 503 23 51-11 | SPARK PLUG | NGK BPMR7A | 1 | |

H 130
FUEL TANK



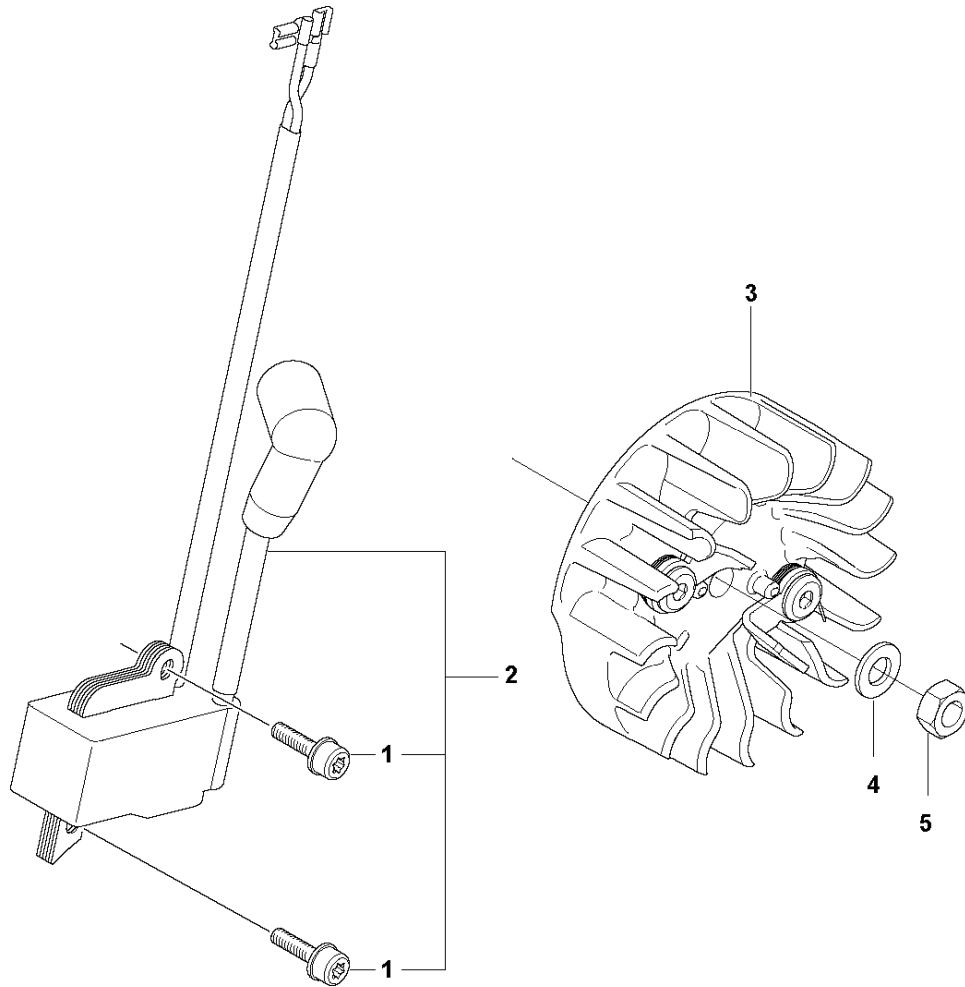
| Ref | Part No | Description | Remark | QTY | KIT |
|-----|--------------|---------------------|------------------|-----|-----|
| 1 | 591 46 60-01 | SERVICE KIT | Trigger Assembly | 1 | |
| 2 | 592 85 44-01 | SERVICE KIT | Fuel Hose | 1 | |
| 3 | 503 44 32-01 | FUEL FILTER | | 1 | |
| 4 | 503 73 58-01 | BUSHING | | 1 | |
| 5 | 501 51 84-02 | FUEL TANK ASSY | | 1 | |
| 6 | 591 46 58-01 | SERVICE KIT | Lateral Support | 1 | |
| 7 | 530 02 61-19 | CHECK VALVE | | 1 | |
| 8 | 530 02 98-68 | PLUG | | 1 | |
| 9 | 544 11 12-03 | TANK CAP ASSY | | 1 | |
| 10 | 589 24 11-01 | GASKET | | 1 | 9 |
| 11 | 582 28 70-01 | THROTTLE CABLE ASSY | | 1 | |

130
HANDLE



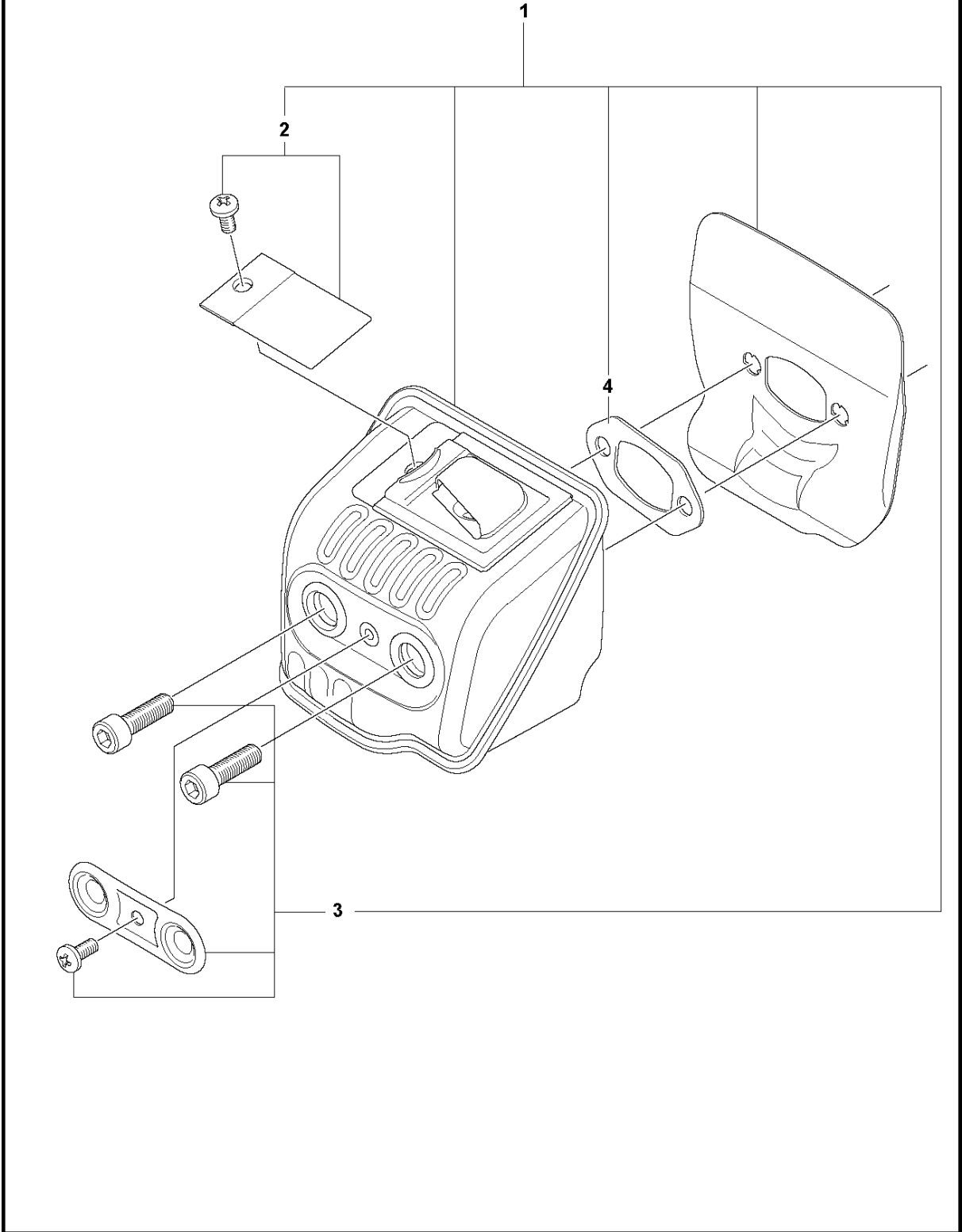
| Ref | Part No | Description | Remark | QTY KIT |
|-----|--------------|-------------|------------------------|---------|
| 1 | 591 46 61-01 | SERVICE KIT | Anti-vibration Element | 1 |
| 2 | 530 01 64-32 | SCREW | | 3 |
| 3 | 501 31 63-01 | HANDLE | | 1 |

J 130
IGNITION SYSTEM



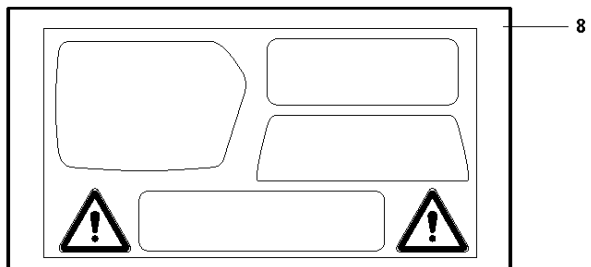
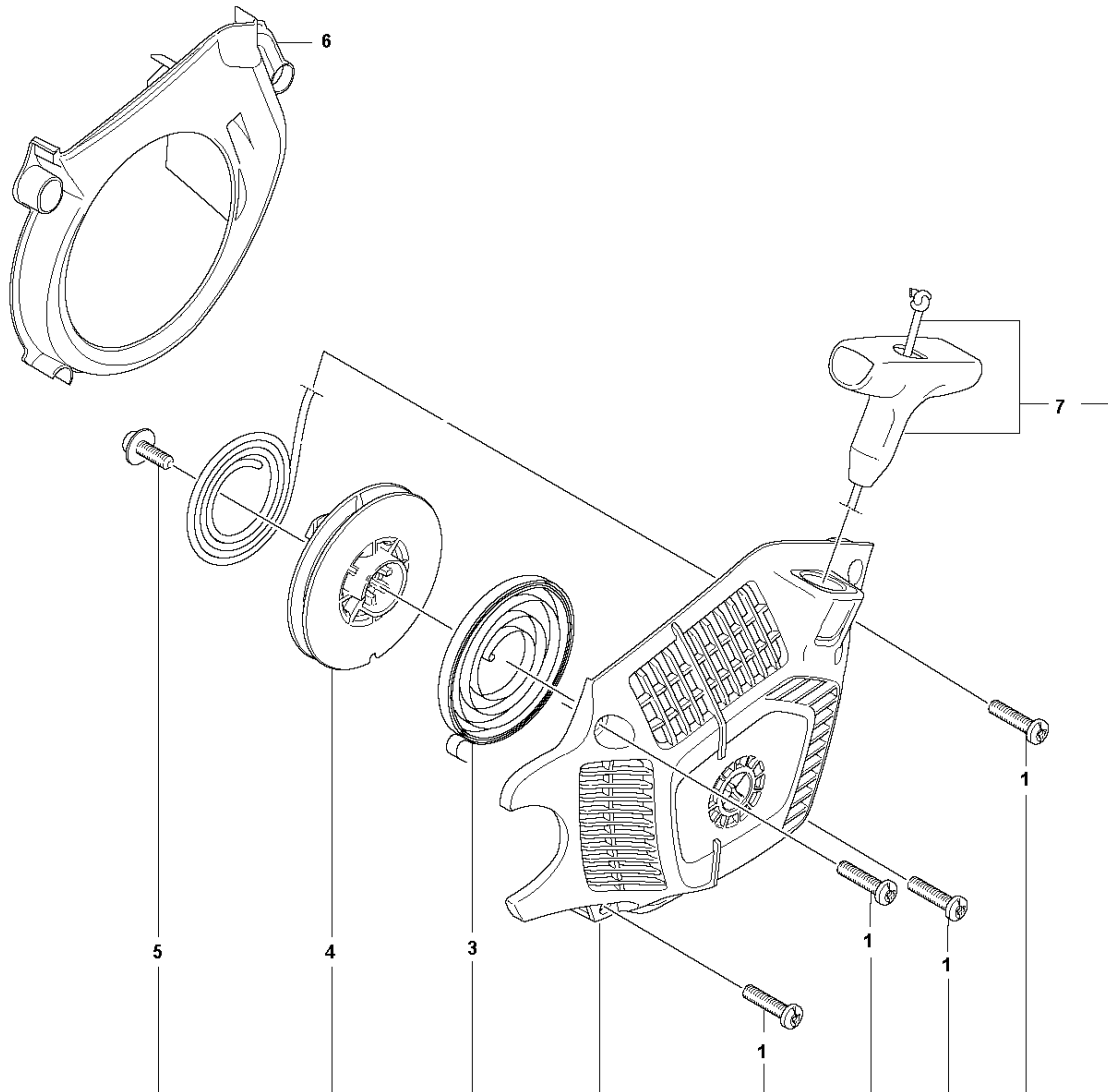
| Ref | Part No | Description | Remark | QTY | KIT |
|-----|--------------|---------------|-----------------|-----|-----|
| 1 | 575 96 26-01 | SCREW | | 2 | 2 |
| 2 | 591 46 65-01 | SERVICE KIT | Ignition Module | 1 | |
| 3 | 544 87 42-02 | FLYWHEEL ASSY | | 1 | |
| 4 | 530 01 51-27 | WASHER | | 1 | |
| 5 | 530 01 61-34 | NUT | | 1 | |

K 130
MUFFLER



| Ref | Part No | Description | Remark | QTY | KIT |
|-----|--------------|--------------|----------------|-----|-----|
| 1 | 501 26 62-03 | MUFFLER ASSY | | 1 | |
| 2 | 591 17 55-01 | SERVICE KIT | Spark Arrester | 1 | 1 |
| 3 | 591 17 46-01 | SERVICE KIT | MUFFLER | 1 | 1 |
| 4 | 501 61 95-01 | GASKET | | 1 | 1 |

L 130
STARTER



| Ref | Part No | Description | Remark | QTY | KIT |
|-----|--------------|-------------|-----------------|-----|-----|
| 1 | 530 01 64-32 | SCREW | | 4 | 2 |
| 2 | 591 46 67-01 | SERVICE KIT | Starter Housing | 1 | |
| 3 | 576 65 78-01 | SPRING | | 1 | 2 |
| 4 | 588 97 07-01 | PULLEY | | 1 | 2 |
| 5 | 530 01 59-20 | SCREW | | 1 | 2 |
| 6 | 588 97 06-01 | BAFFLE | | 1 | |
| 7 | 545 01 00-10 | HANDLE | Handle & Rope | 1 | 2 |
| 8 | 591 46 55-01 | SERVICE KIT | DECAL KIT | 1 | |

Illustrated Parts List - IPL Update



Product Name(s)

130 (Chainsaw)

Description of change

Spare parts added 5822870-01 Throttle cable, 530015127 Washer & 530016134 Nut

Comments

Introduced from

| Serial number / Date | Remark |
|----------------------|--------|
| | |
| | |
| | |
| | |

IPL updates

| Page title | Ref. no | New part no | Name | Excl. part no. | Remark |
|-----------------|---------|--------------|----------------|----------------|--------|
| Fuel tank | 11 | 582 28 70-01 | Throttle cable | | |
| Ignition system | 4 | 530 01 51-27 | Washer | | |
| Ignition system | 5 | 530 01 61-34 | Nut | | |
| | | | | | |