

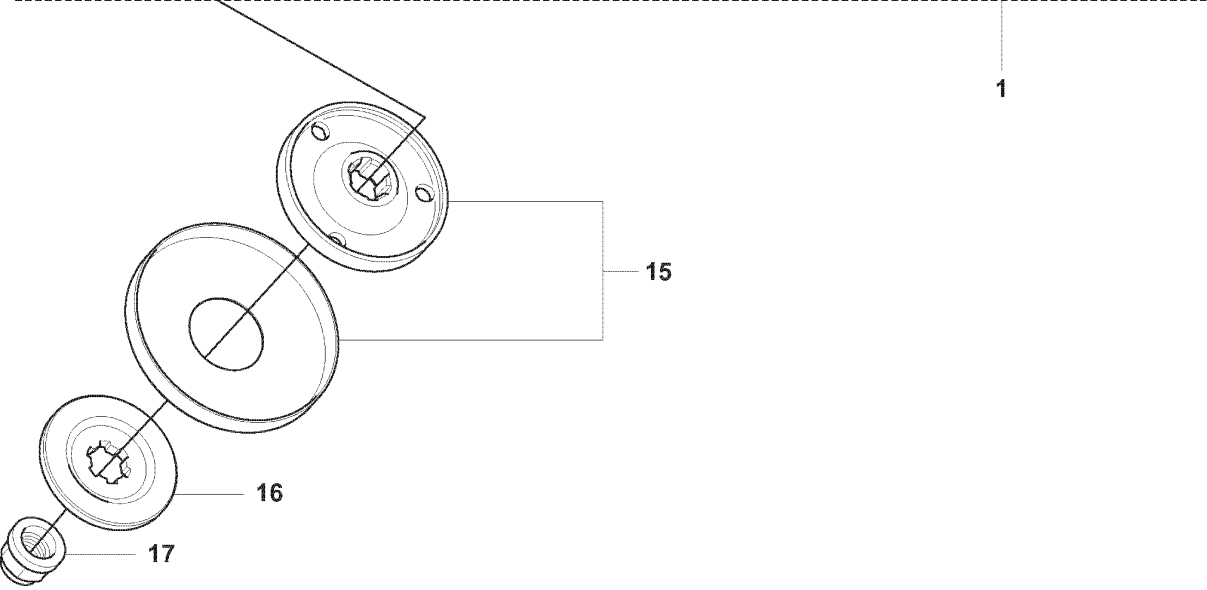
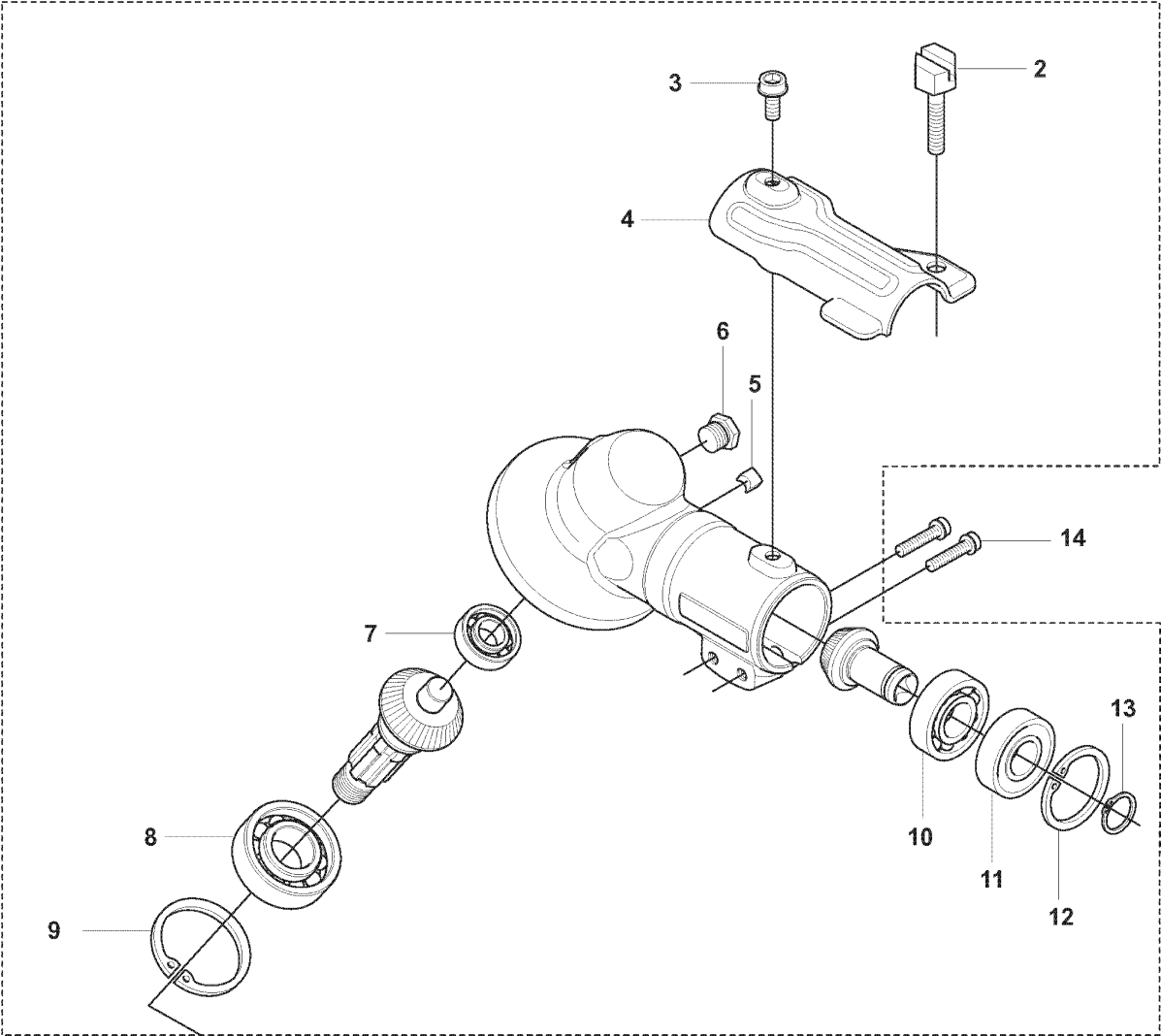


SPARE PARTS LIST

BRUSHCUTTERS/CLEARING SAWS

241 R, 2007-11

A1 241R

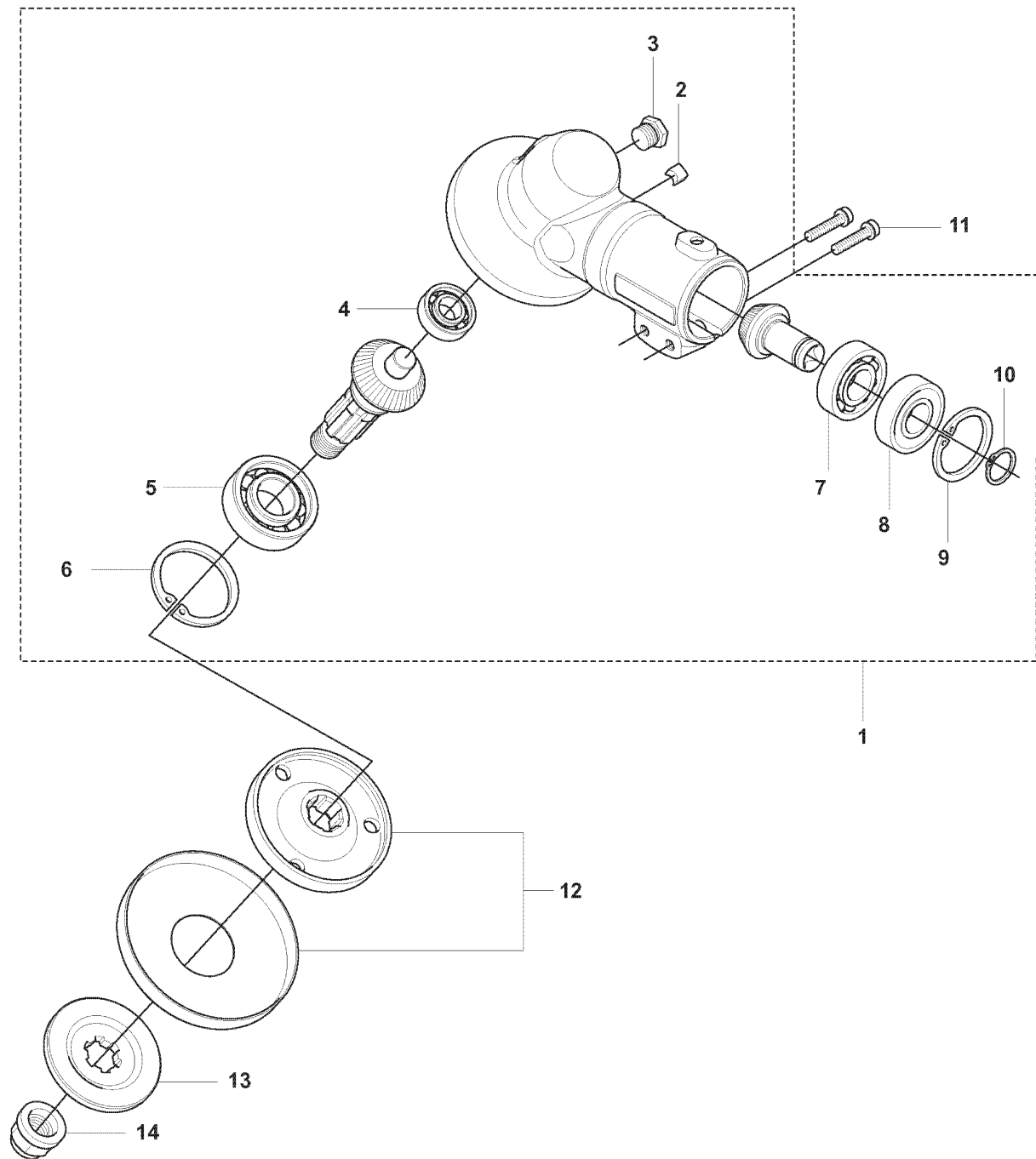


BEVEL GEAR

241 R, 2007-11

Ref	Part No	Description	Remark	QTY KIT
1	544 21 64-01	GEAR		1
2	537 18 95-01	SCREW		1
3	503 20 02-10	SCREW IHSCFM		1
4	544 08 76-01	CLAMP		1
5	537 14 74-01	MAGNET		1
6	503 20 15-01	SCREW		1
7	738 21 99-00	BALL BEARING		1
8	503 25 28-01	BALL BEARING		1
9	735 31 31-10	CIRCLIP		1
10	738 21 01-10	BALL BEARING		1
11	738 21 01-12	BALL BEARING		1
12	735 31 28-10	CIRCLIP		1
13	735 31 14-00	CIRCLIP		1
14	503 20 03-25	SCREW IHSCFM		2
15	537 35 14-01	DRIVER		1
16	537 34 35-01	SUPPORT FLANGE		1
17	503 22 73-01	NUT		1

A2 241RJ

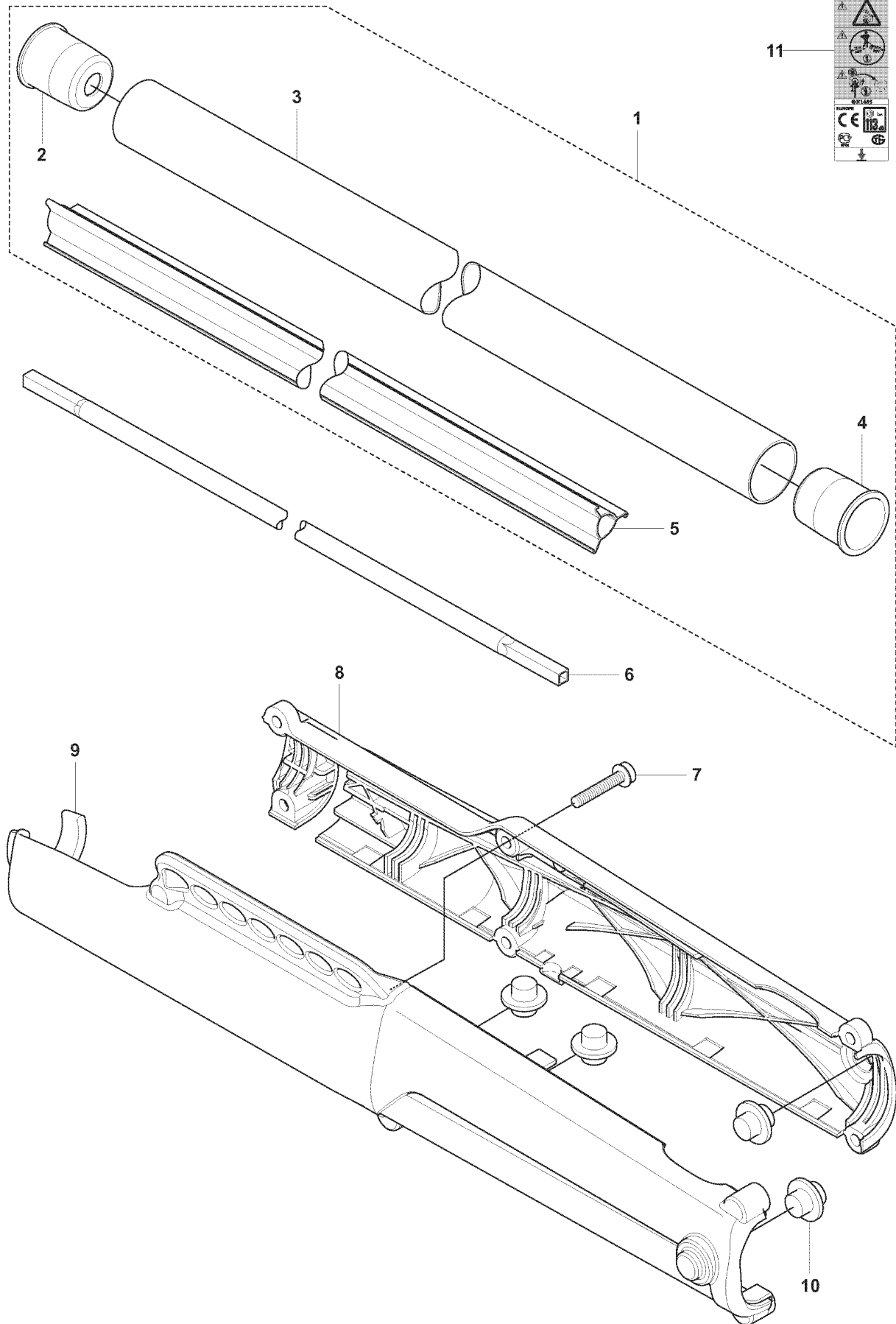


BEVEL GEAR

241 R, 2007-11

Ref	Part No	Description	Remark	QTY KIT
1	537 29 58-02	BEVEL GEAR		1
2	537 14 74-01	MAGNET		1
3	503 20 15-01	SCREW		1
4	738 21 99-00	BALL BEARING		1
5	503 25 28-01	BALL BEARING		1
6	735 31 31-10	CIRCLIP		1
7	738 21 01-10	BALL BEARING		1
8	738 21 01-12	BALL BEARING		1
9	735 31 28-10	CIRCLIP		1
10	735 31 14-00	CIRCLIP		1
11	503 20 03-25	SCREW IHSCFM		1
12	537 35 14-01	DRIVER		1
13	537 34 35-01	SUPPORT FLANGE		1
14	503 22 73-01	NUT		1

B 241R

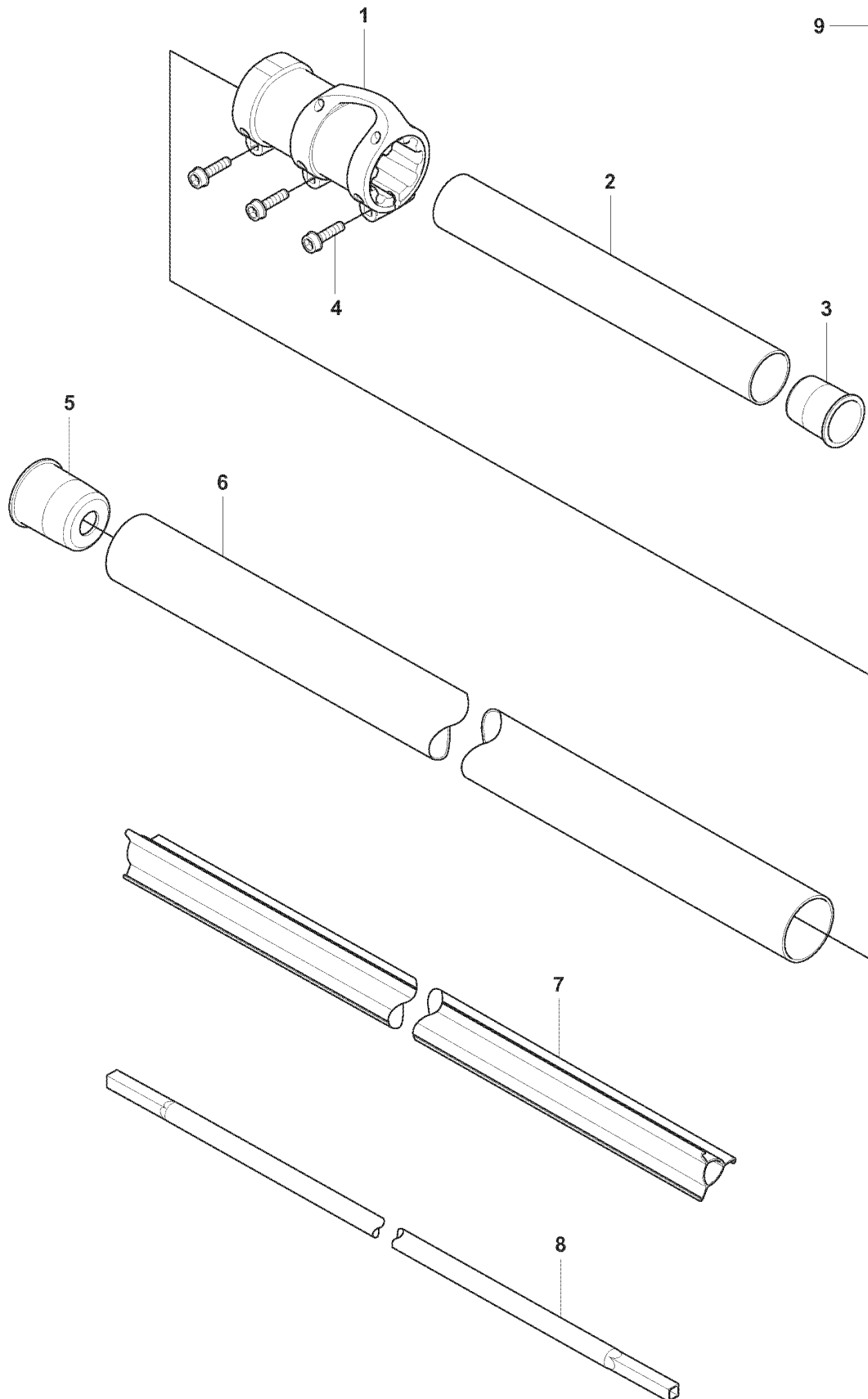


SHAFT

241 R, 2007-11

Ref	Part No	Description	Remark	QTY KIT
1	537 21 42-01	TUBE		1
2	537 36 02-02	SPACER		1
3	537 21 41-01	TUBE		1
4	537 36 02-01	SPACER		1
5	537 31 39-01	GUIDE		1
6	544 18 32-01	DRIVE SHAFT		1
7	503 21 68-72	SCREW IHSCT		6
8	544 27 91-01	WEAR PROTECTION		1
9	544 27 90-01	WEAR PROTECTION		1
10	544 10 17-02	DAMPER		4
11	589 29 51-01	LABEL		1

C 241RJ



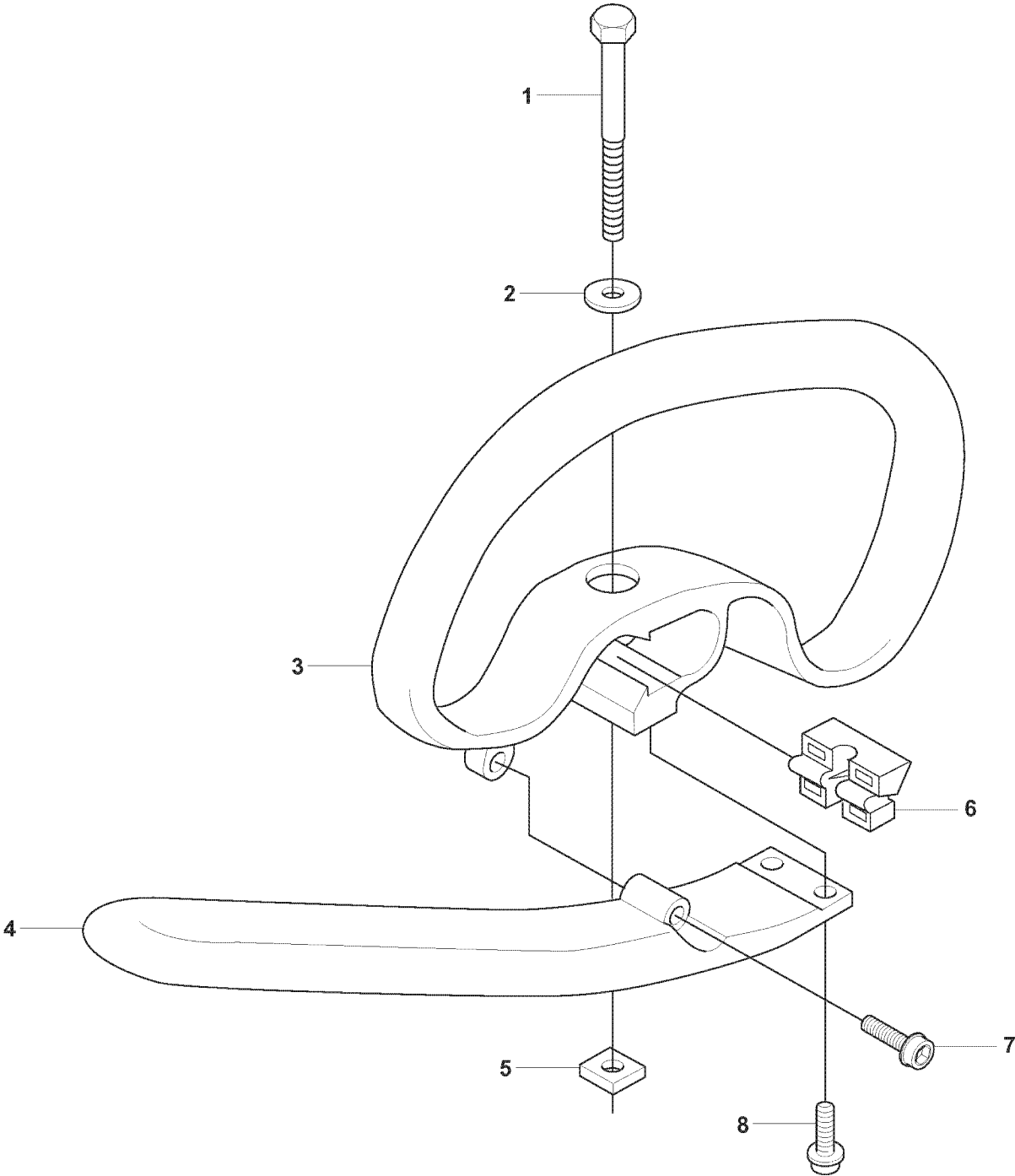
9

SHAFT

241 R, 2007-11

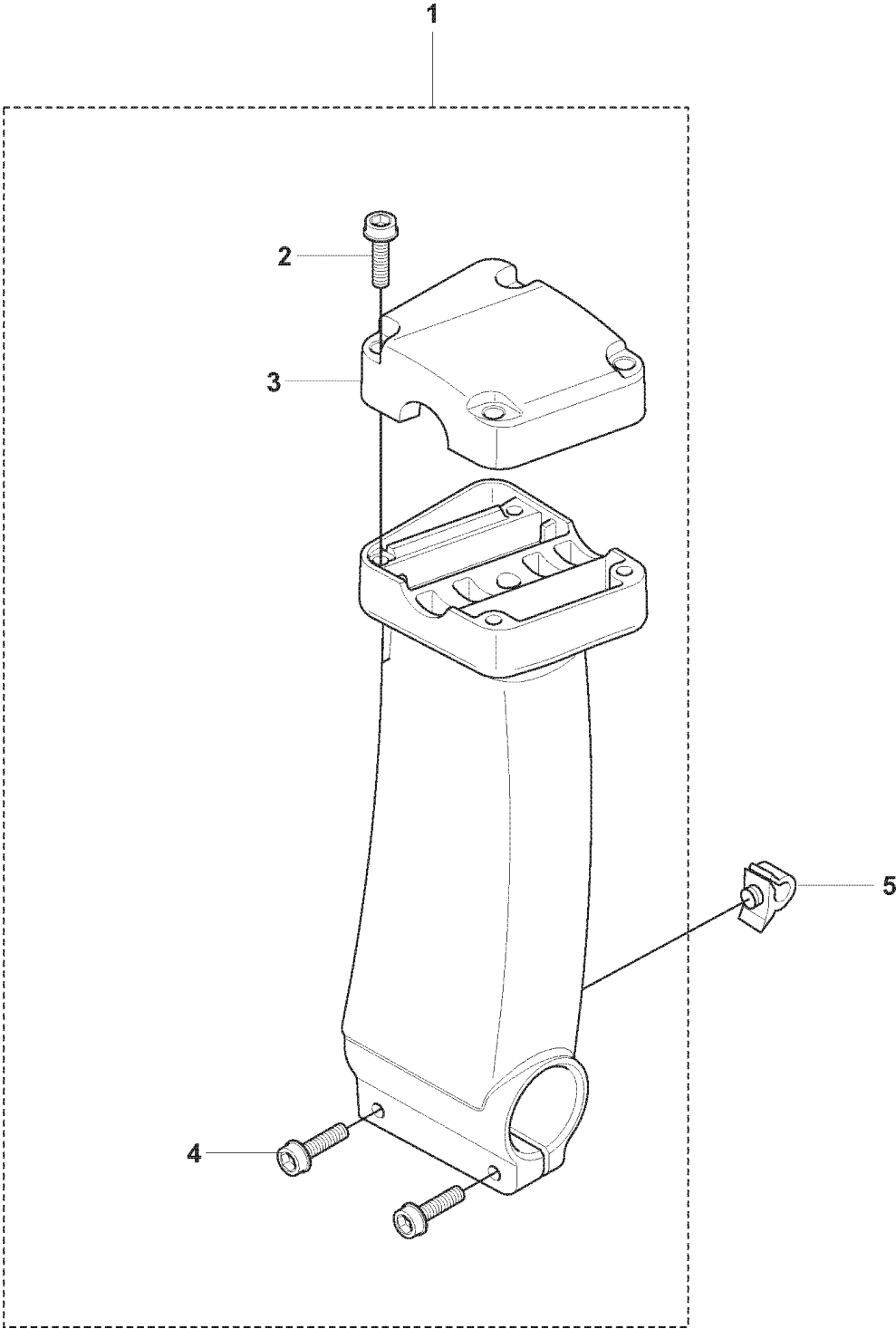
Ref	Part No	Description	Remark	QTY KIT
1	544 10 18-01	SLEEVE		1
2	537 18 26-10	TUBE		1
3	537 33 44-02	SPACER		1
4	544 25 40-01	SCREW		3
5	537 36 02-01	SPACER		1
6	537 21 41-02	TUBE		1
7	537 31 39-02	GUIDE		1
8	544 18 32-01	DRIVE SHAFT		1

D 241RJ



Ref	Part No	Description	Remark	QTY KIT
1	725 23 78-51	SCREW EHHM		1
2	503 23 00-61	WASHER		1
3	544 10 10-02	HANDLE LOOP		1
4	503 99 78-01	HANDLE		1
5	502 19 71-01	SQUARE NUT		1
6	544 10 11-01	BLOCK.SPACING		1
7	503 21 68-16	SCREW IHSCT		1
8	503 21 68-16	SCREW IHSCT		2

E 241R

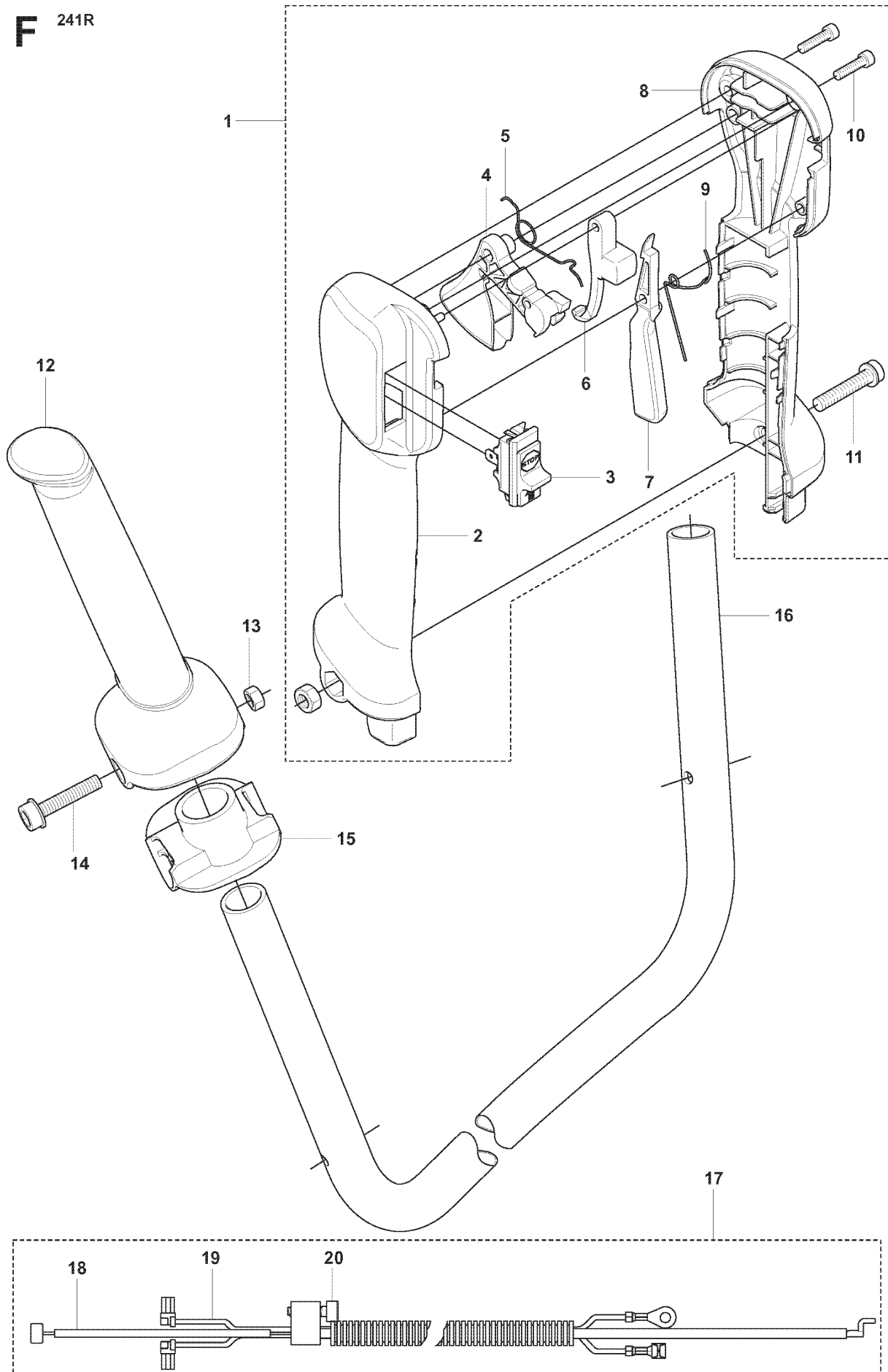


TOWER

241 R, 2007-11

Ref	Part No	Description	Remark	QTY KIT
2	503 20 08-32	SCREW IHSCM		4
3	544 01 99-02	HANDLEBAR BRACKET		1
4	725 53 31-65	SCREW IHSCM		2
5	502 28 61-01	CLIP		1

F 241R

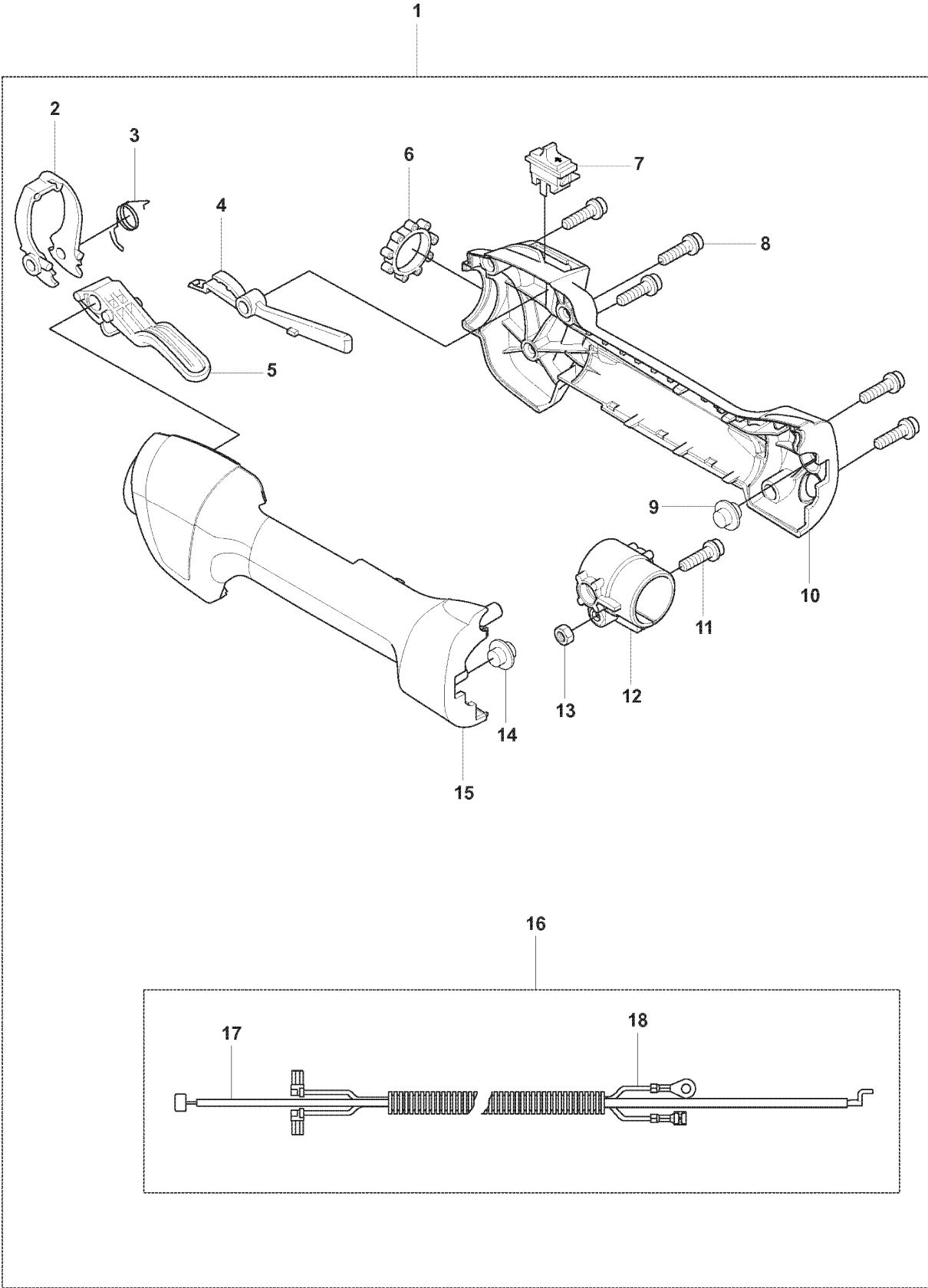


HANDLE & CONTROLS

241 R, 2007-11

Ref	Part No	Description	Remark	QTY KIT
1	537 42 45-06	HANDLE SYSTEM		1
2	537 16 02-03	HANDLE HALF		1
3	537 41 90-01	SWITCH		1
4	537 16 08-01	THROTTLE TRIGGER		1
5	537 17 42-01	SPRING THROTTLE TRIG		1
6	537 16 07-01	STARTER THROTTLE LOC		1
7	537 16 06-01	THROTTLE LOCKOUT		1
8	537 16 03-01	HANDLE HALF		1
9	537 17 43-01	SPRING		1
10	503 21 66-18	SCREW IHSC T		2
11	503 20 07-35	SCREW IHSCFM		1
12	537 17 28-01	HANDLE		1
13	731 23 14-01	HEXAGON NUT		1
14	503 20 02-45	SCREW IHSCFM		1
15	537 17 29-01	COVER		1
16	537 36 00-01	HANDLEBAR		1
17	537 35 96-02	WIRING ASSY		1
18	537 37 78-01	THROTTLE WIRE ASSY		1
19	503 87 85-07	SHORT CIRCUIT CABLE		1
20	503 21 66-18	SCREW IHSC T		1

G 241RJ

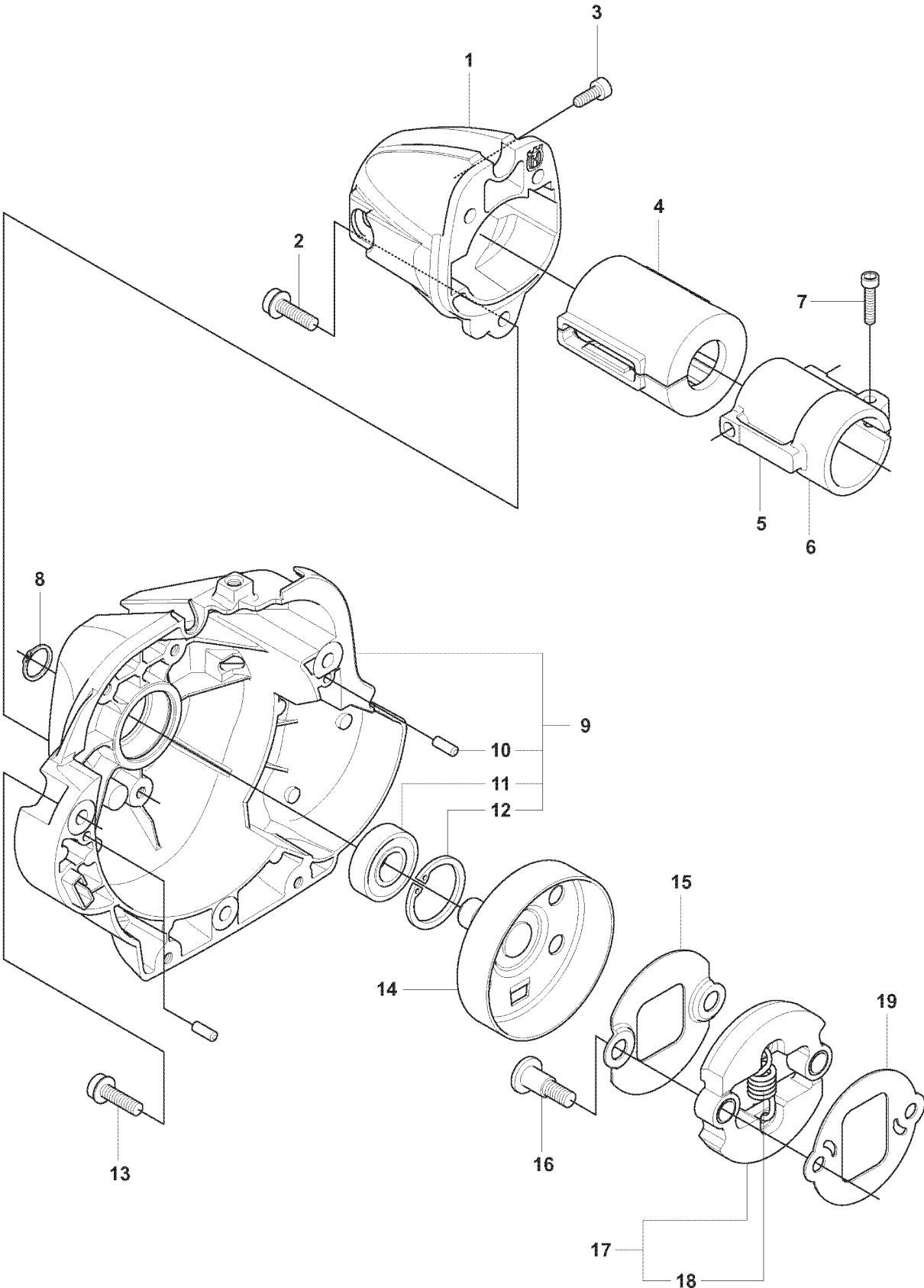


HANDLE & CONTROLS

241 R, 2007-11

Ref	Part No	Description	Remark	QTY KIT
1	544 14 36-02	CONTROL		1
2	503 91 81-01	THROTTLE LEVER		1
3	544 10 08-01	RECOIL SPRING		1
4	503 87 80-01	THROTTLE LOCKOUT		1
5	503 87 79-03	THROTTLE TRIGGER		1
6	503 96 14-01	ABSORBER		1
7	537 41 90-01	SWITCH		1
8	503 21 66-18	SCREW IH SCT		5
9	544 10 17-02	DAMPER		1
10	544 23 84-01	HANDLE HALF		1
11	503 20 03-20	SCREW IH SCFM		1
12	544 11 21-01	RETAINER		1
13	731 23 14-01	HEXAGON NUT		1
14	544 10 17-02	DAMPER		1
15	544 23 85-01	HANDLE HALF		1
16	544 14 49-01	WIRING ASSY		1
17	544 17 17-02	THROTTLE WIRE ASSY		1
18	503 87 85-06	SHORT CIRCUIT CABLE		1

H

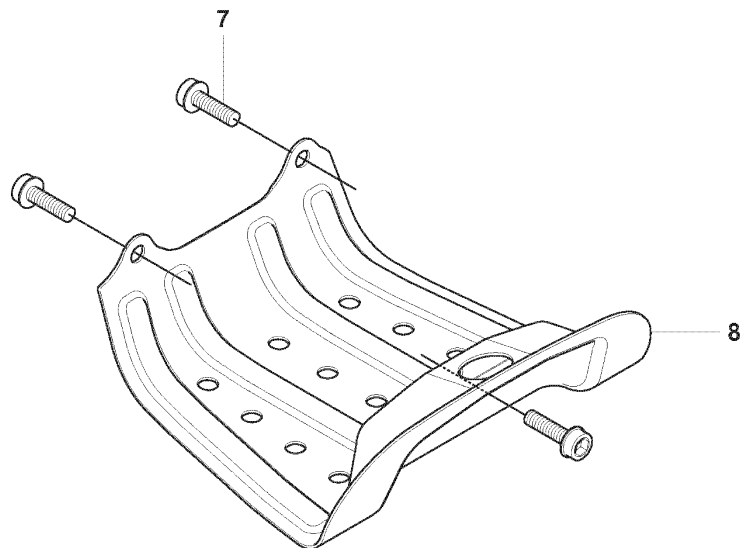
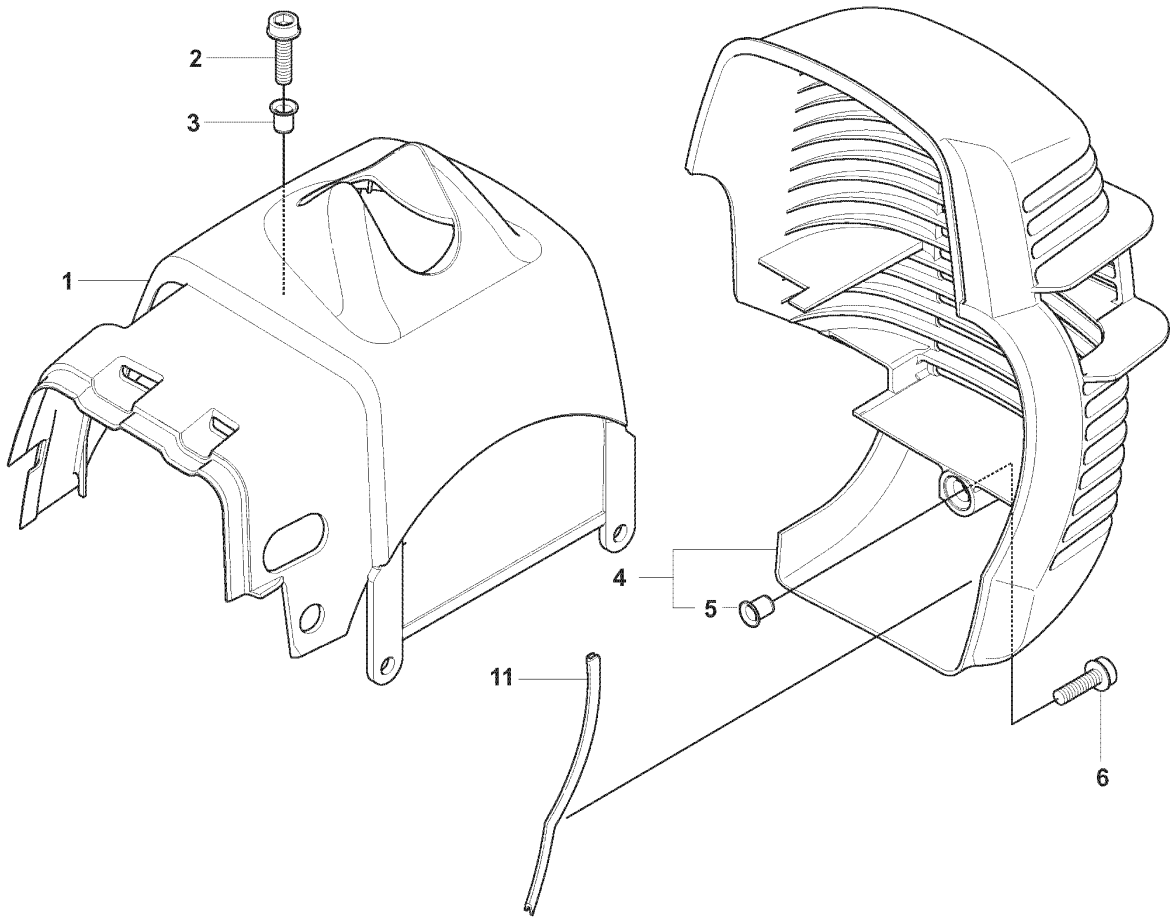


CLUTCH

241 R, 2007-11

Ref	Part No	Description	Remark	QTY KIT
1	544 11 02-01	COVER		1
2	503 20 03-02	SCREW IHSCFM		3
3	503 21 74-11	SCREW IHSCF		2
4	537 32 27-01	ANTIVIBRATION ELEMENT		1
5	537 31 01-01	COMPRESSION SLEEVE		1
6	537 31 01-02	COMPRESSION SLEEVE		1
7	725 53 33-55	SCREW IHSCM		1
8	735 31 14-00	CIRCLIP		1
9	537 30 29-02	CLUTCH COVER		1
10	503 24 07-02	PARALLEL PIN		2
11	738 21 01-04	BALL BEARING		1
12	735 31 28-10	CIRCLIP		1
13	503 20 03-02	SCREW IHSCFM		3
14	537 35 29-01	CLUTCH DRUM		1
15	537 41 57-01	WASHER		1
16	537 41 81-01	SCREW		2
17	537 34 04-01	CLUTCH		1
18	537 42 72-01	SPRING		1
19	537 04 68-01	WASHER		1

J

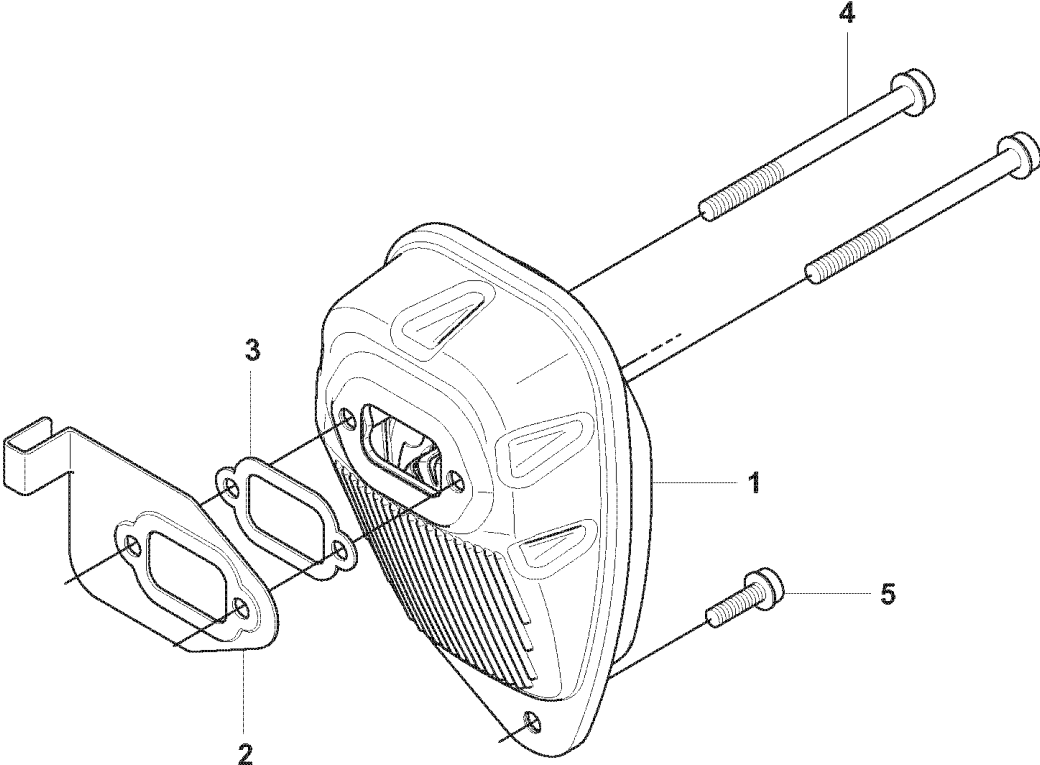


9 —  **Husqvarna**
241RJ

10 —  **Husqvarna**
241R

Ref	Part No	Description	Remark	QTY KIT
1	544 80 88-01	CYLINDER COVER		1
2	503 20 03-02	SCREW IHSCFM		1
3	537 37 38-02	TUBULAR RIVET		1
4	537 42 51-01	HEAT PROTECTOR		1
5	537 37 38-03	TUBULAR RIVET		1
6	503 20 03-02	SCREW IHSCFM		1
7	503 21 75-16	SCREW IHSCFT		2
8	544 28 34-01	SHEET		1
9	544 84 74-01	LABEL		1
10	544 84 74-02	LABEL		1
11	544 02 98-01	BAR		1

K

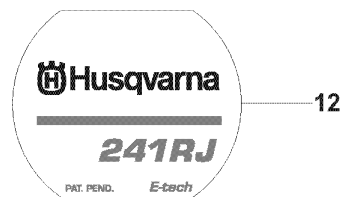
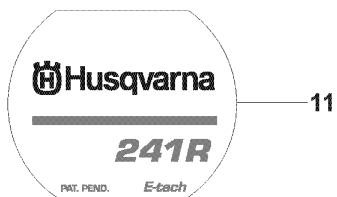
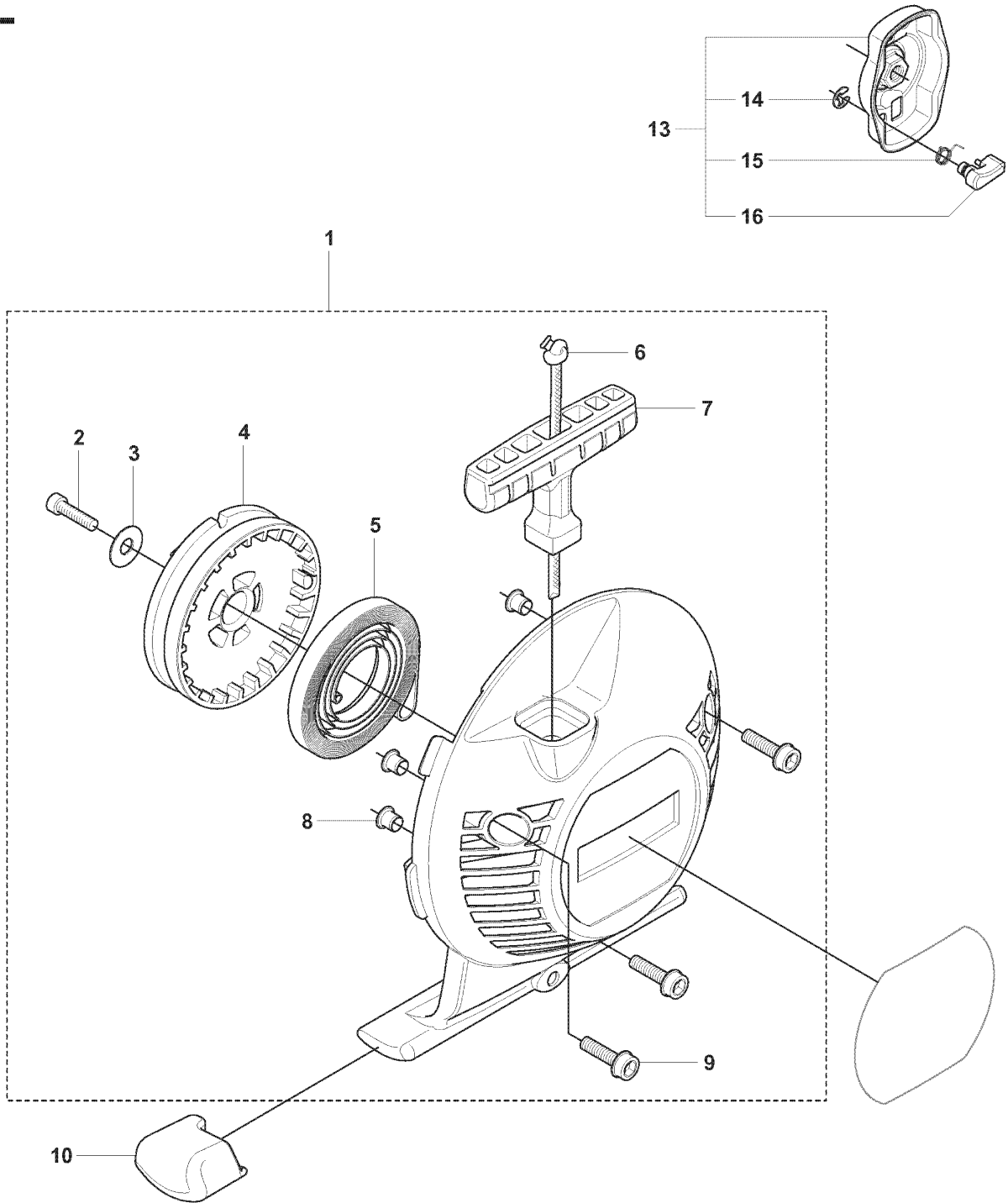


MUFFLER

241 R, 2007-11

Ref	Part No	Description	Remark	QTY KIT
1	504 07 50-01	MUFFLER ASSY		1
2	537 34 08-01	AIR CONDUCTOR		1
3	537 33 31-01	GASKET		1
4	503 20 29-63	SCREW IHSCFM		2
5	503 20 03-02	SCREW IHSCFM		1

L

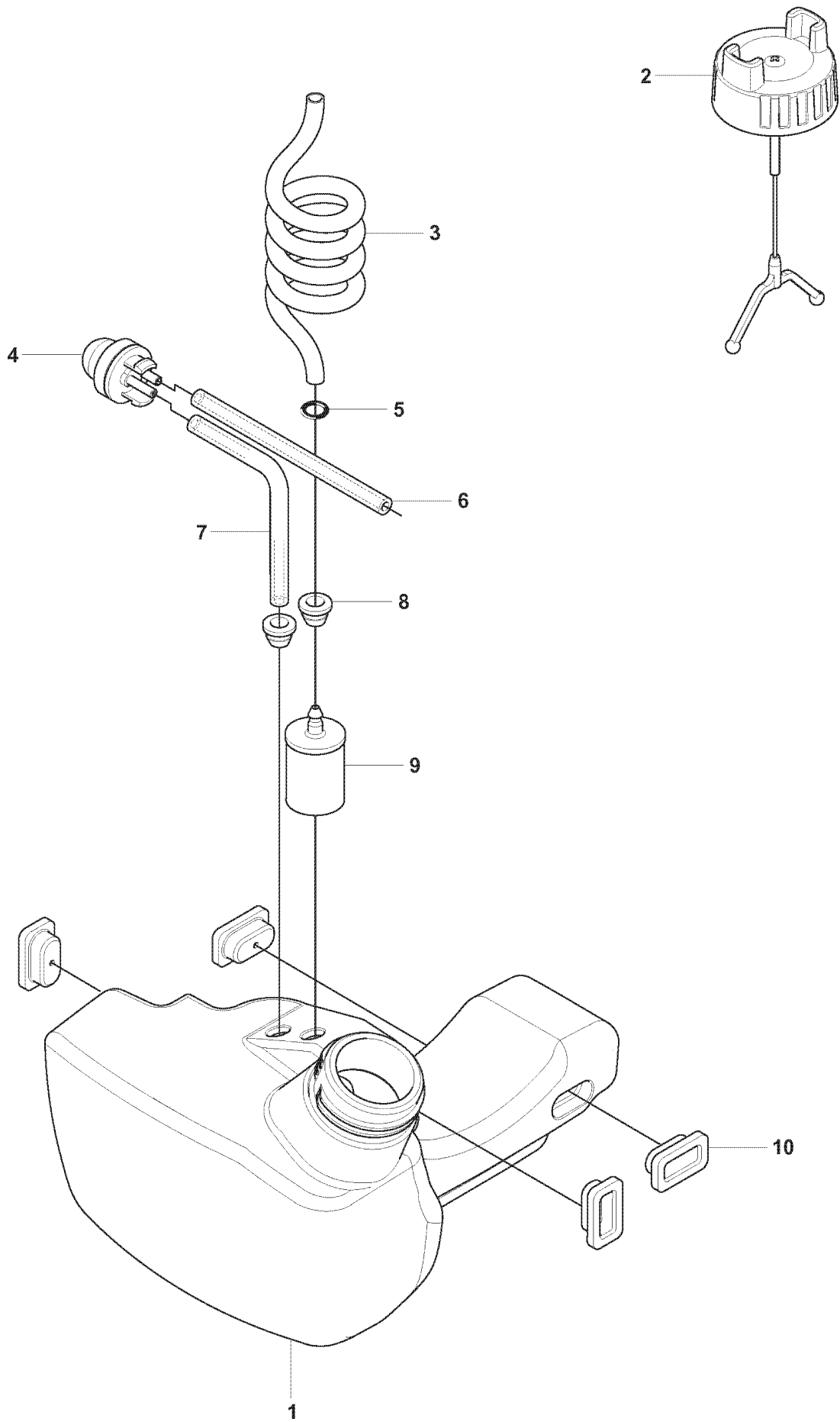


STARTER

241 R, 2007-11

Ref	Part No	Description	Remark	QTY KIT
1	537 21 47-03	STARTER ASSY		1
2	503 21 79-20	SCREW IH SCT		1
3	535 07 23-01	WASHER		1
4	537 32 50-02	STARTER PULLEY		1
5	503 85 99-01	RECOIL SPRING		1
6	505 30 51-25	STARTER CORD		1
7	503 54 39-01	STARTER HANDLE		1
8	537 37 38-02	TUBULAR RIVET		3
9	503 20 03-02	SCREW IH SCFM		3
10	544 90 34-01	DAMPER		1
11	544 84 73-02	DECAL		1
12	544 84 73-01	DECAL		1
13	503 87 33-04	STARTER PAWL BRIDGE		1
14	735 31 08-20	E-CLIP		1
15	503 87 36-01	SPRING		1
16	544 01 14-01	STARTER PAWL		2

M

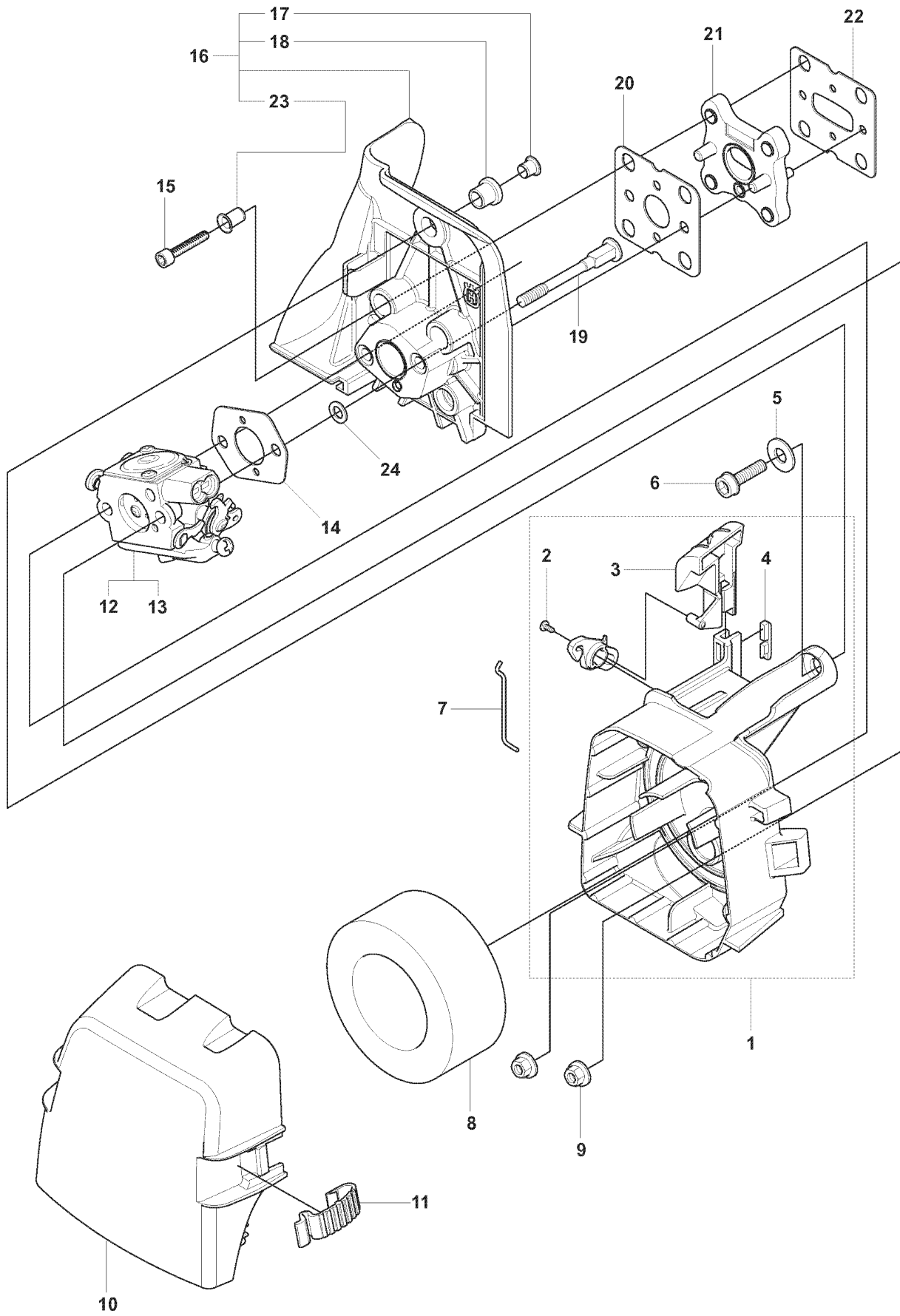


FUEL TANK

241 R, 2007-11

Ref	Part No	Description	Remark	QTY KIT
1	544 07 42-01	FUEL TANK		1
2	503 91 18-02	TANK CAP		1
3	544 32 50-01	FUEL HOSE		1
4	503 93 66-01	PURGE		1
5	537 18 49-01	O-RING		1
6	544 97 75-12	FUEL HOSE		1
7	544 97 75-12	FUEL HOSE		1
8	503 73 58-01	BUSHING		2
9	503 44 32-01	FUEL FILTER		1
10	544 32 48-01	SUSPENSION		4

N

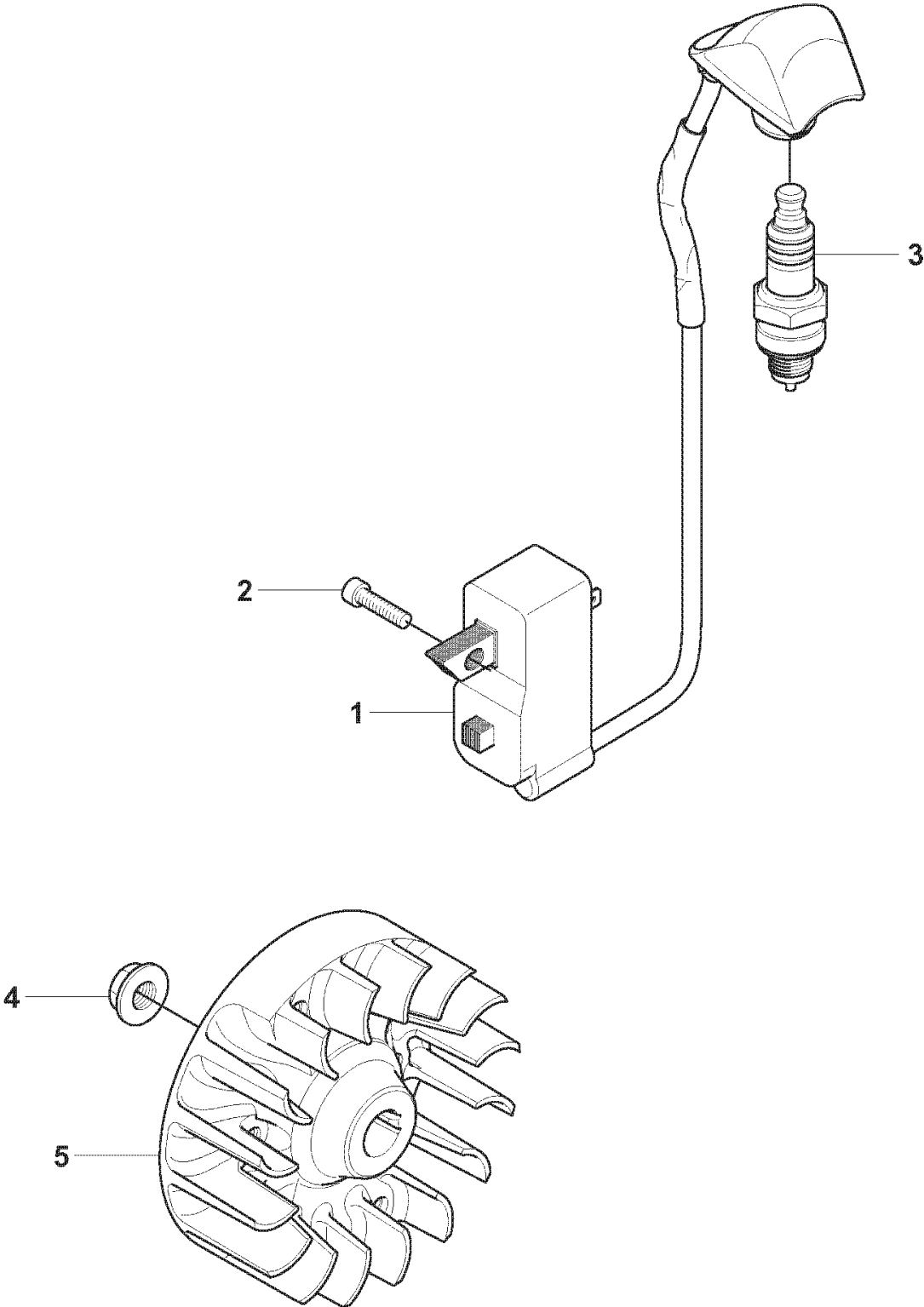


CARBURETOR & AIR FILTER

241 R, 2007-11

Ref	Part No	Description	Remark	QTY KIT
1	544 22 71-01	FILTER HOLDER ASSY		1
2	503 21 29-06	SCREW CCRPANT		1
3	537 33 71-01	CHOKE CONTROL		1
4	544 02 58-01	BAR		1
5	734 11 47-41	WASHER		1
6	503 20 03-02	SCREW IHSCFM		1
7	544 37 89-01	SLEEVING BRACKET		1
8	544 14 10-01	AIR FILTER		1
9	731 71 14-51	HEXAGON NUT FLANGE		2
10	544 13 82-01	FILTER COVER		1
11	537 38 72-01	SNAP LOCKING		2
12	501 32 69-01	CARBURETTOR		1
13	501 32 70-01	CARBURETTOR		1
14	503 49 71-01	GASKET		1
15	503 20 25-25	SCREW IHSCM		4
16	544 15 86-01	INSULATION WALL		1
17	544 01 91-01	TUBULAR RIVET		1
18	537 37 11-01	SLEEVE		1
19	544 08 20-02	SCREW		2
20	544 18 58-01	GASKET INTAKE		1
21	544 91 52-01	MANIFOLD		1
22	544 18 56-01	GASKET INTAKE		1
23	544 91 29-01	TUBULAR RIVET		4
24	734 11 46-01	WASHER		2

P

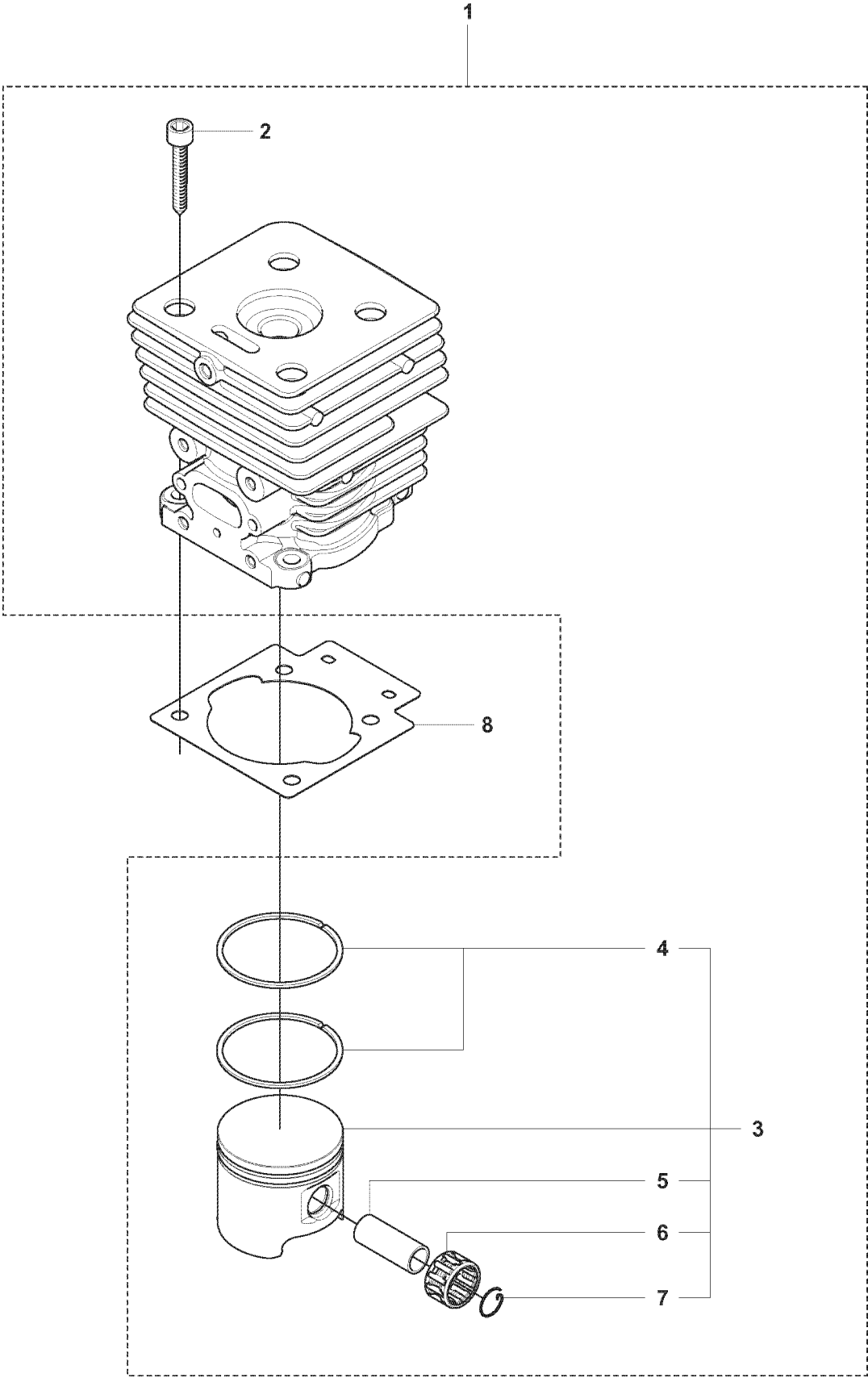


IGNITION SYSTEM

241 R, 2007-11

Ref	Part No	Description	Remark	QTY KIT
1	501 31 98-01	IGNITION MODULE		1
2	503 21 66-18	SCREW IHST		2
3	503 23 51-11	SPARK PLUG		1
4	731 71 16-51	HEXAGON NUT FLANGE		1
5	537 24 96-01	FLYWHEEL		1

Q

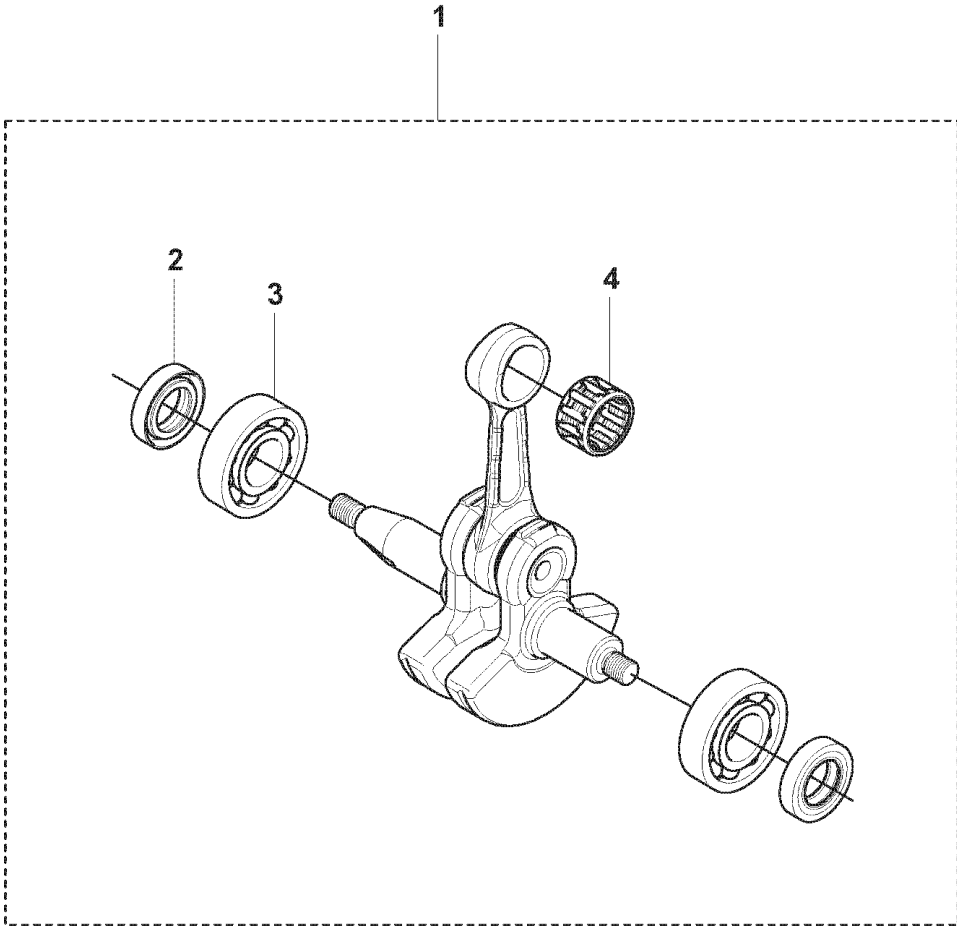


CYLINDER PISTON

241 R, 2007-11

Ref	Part No	Description	Remark	QTY KIT
1	502 24 33-01	CYLINDER ASSY		1
2	503 20 08-23	SCREW IHSCM		4
3	544 19 93-02	PISTON ASSY		1
4	544 19 94-01	PISTON RING		1
5	544 21 12-01	PISTON PIN		1
6	501 45 16-01	NEEDLE BEARING		1
7	737 44 10-00	SNAP RING		2
8	544 18 70-01	GASKET		1

R

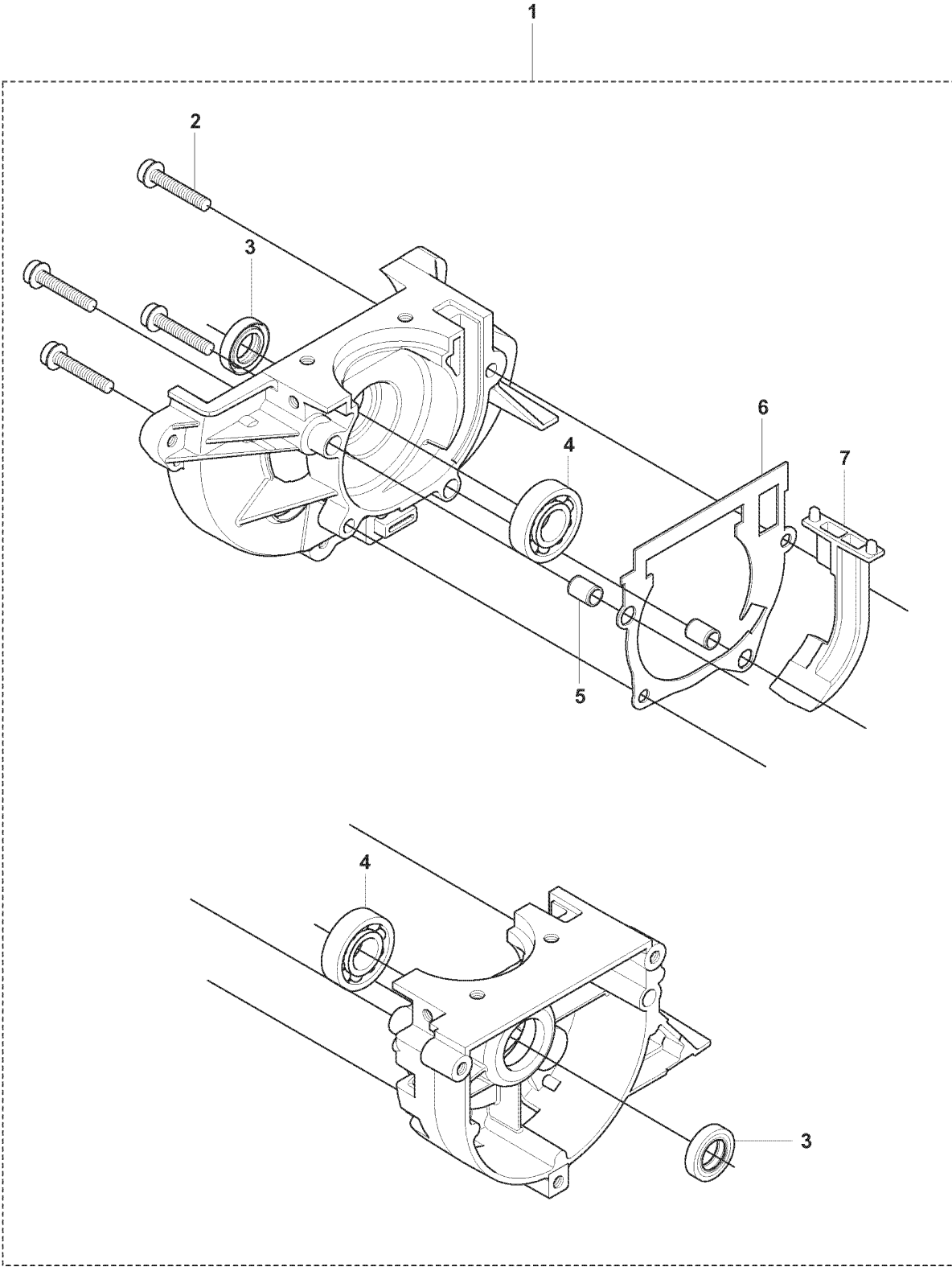


CRANKSHAFT

241 R, 2007-11

Ref	Part No	Description	Remark	QTY KIT
1	544 38 13-01	CRANKSHAFT ASSY		1
2	503 26 02-02	SEALING RING		1
3	738 21 01-10	BALL BEARING		1
4	501 45 16-01	NEEDLE BEARING		1

S



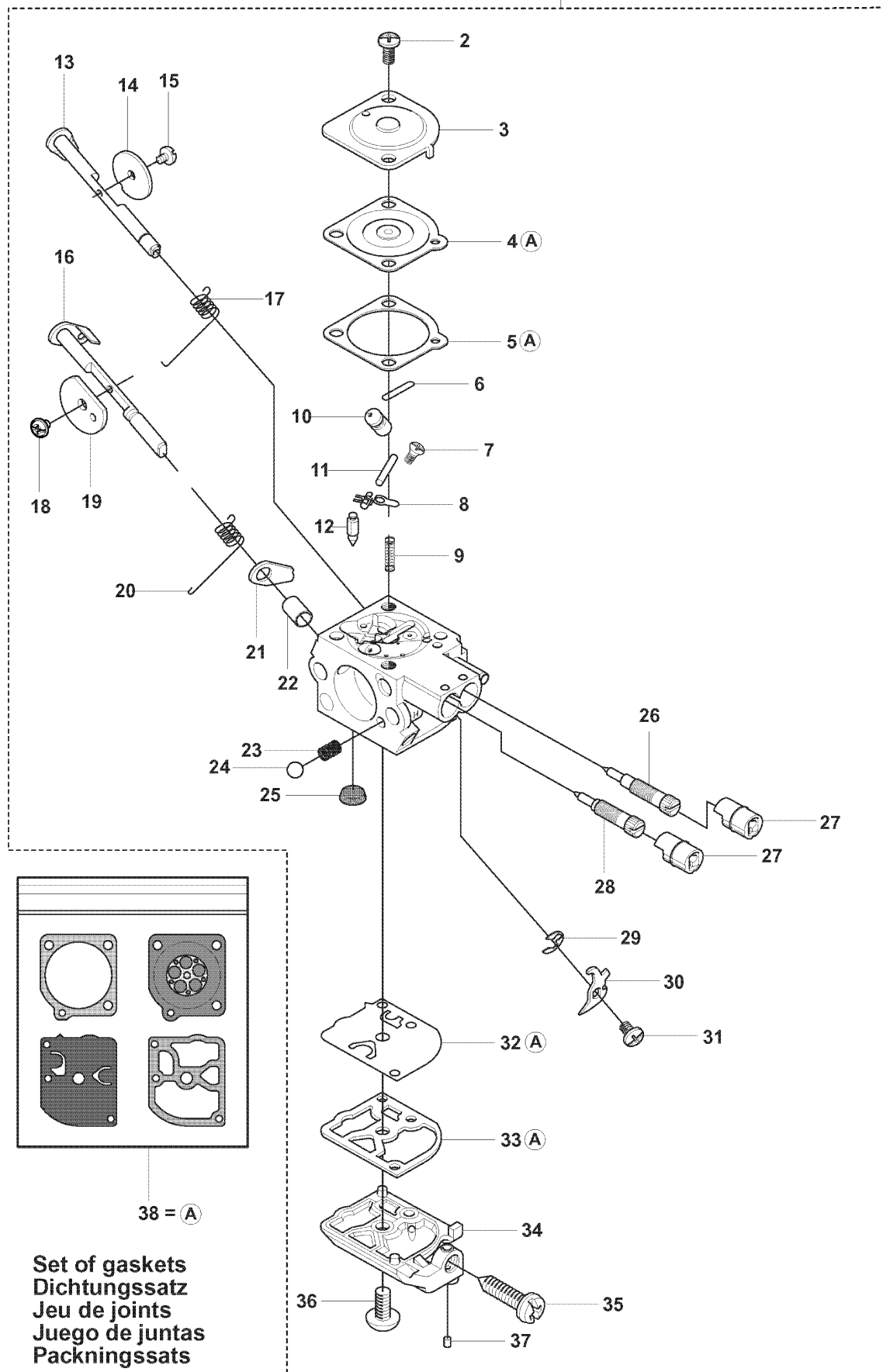
CRANKCASE

241 R, 2007-11

Ref	Part No	Description	Remark	QTY KIT
1	502 24 38-01	CRANKCASE ASSY		1
2	503 20 02-30	SCREW IHSCFM		4
3	503 26 02-02	SEALING RING		1
4	738 21 01-10	BALL BEARING		1
5	501 27 08-01	GUIDE BUSHING		2
6	537 33 29-01	GASKET		1
7	544 31 71-01	FILLER		1

T

Zama C1Q-EL38



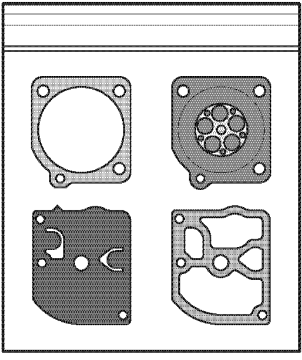
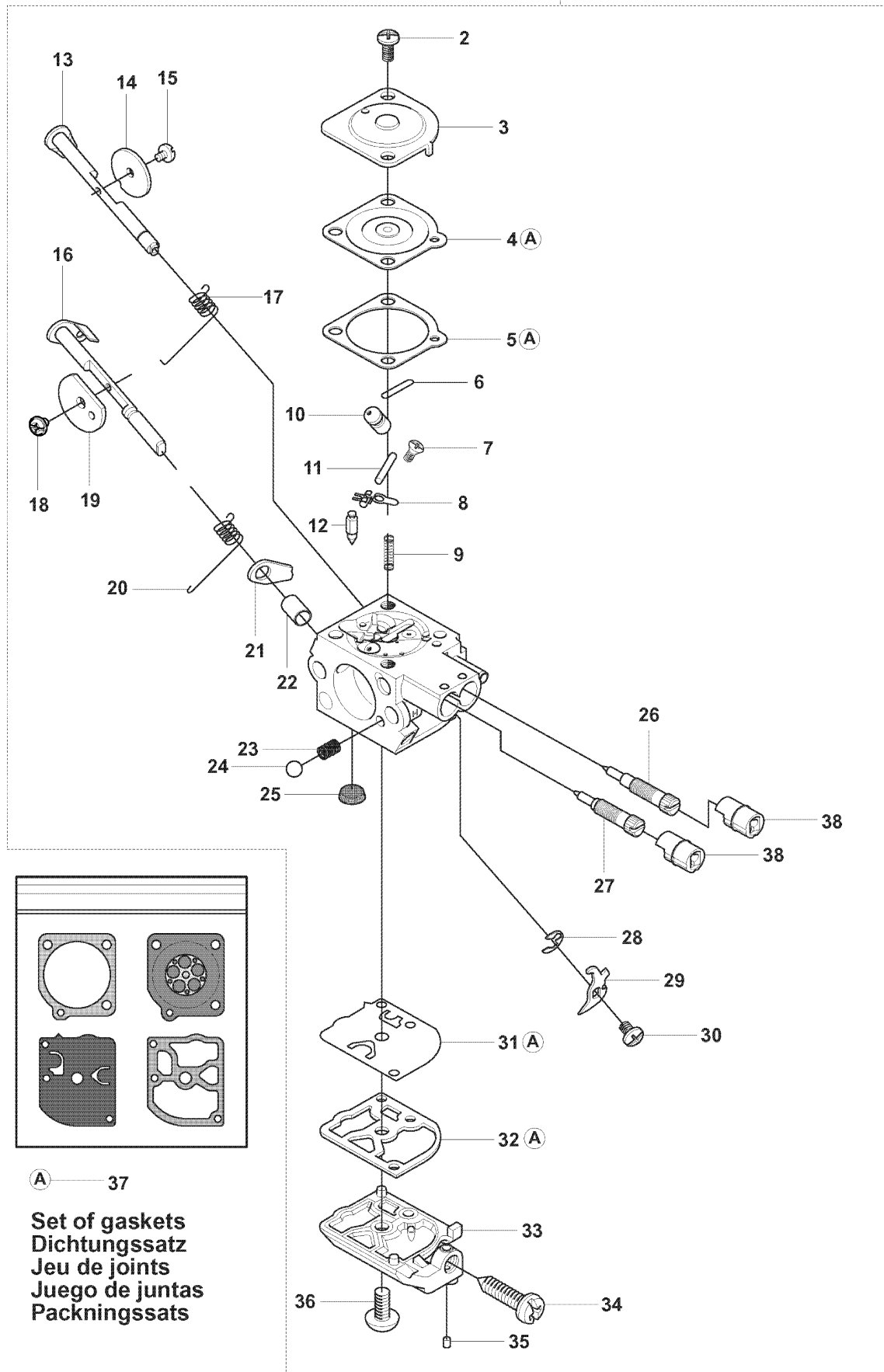
CARBURETOR DETAILS

241 R, 2007-11

Ref	Part No	Description	Remark	QTY KIT
1	501 32 69-01	CARBURETTOR		1
2	503 48 05-01	SCREW		2
3	503 97 43-01	COVER		1
4	504 10 56-01	DIAPHRAGM		1
5	537 02 04-01	GASKET		1
6	503 53 56-01	PLUG WELCH		1
7	503 48 01-01	SCREW		1
8	503 66 59-01	LEVER		1
9	537 02 03-01	SPRING		1
10	537 38 73-01	NOZZLE ASSY		1
11	503 48 00-01	PIN RETAINING SCREW		1
12	503 47 97-01	VALVE		1
13	504 10 27-01	SHAFT ASSY		1
14	537 41 72-01	VALVE		1
15	503 47 92-01	SCREW		1
16	501 32 71-01	SHAFT ASSY		1
17	544 37 24-01	SPRING		1
18	503 48 18-01	SCREW		1
19	537 37 03-01	VALVE		1
20	544 37 26-01	SPRING		1
21	544 37 25-01	LEVER		1
22	544 42 70-01	COLLAR		1
23	537 01 26-01	SPRING		1
24	537 01 25-01	BALL		1
25	503 48 13-01	STRAINER		1
26	537 41 69-01	SCREW		1
27	537 41 70-01	LIMITER CAP		2
28	537 38 75-01	SCREW		1
29	537 38 52-01	CLIP		1
30	537 41 74-01	LEVER		1
31	503 47 90-01	SCREW		1
32	537 02 00-01	DIAPHRAGM PUMP		1
33	537 02 01-01	GASKET		1
34	537 41 68-01	COVER		1
35	537 02 07-01	SCREW		1
36	503 47 96-01	SCREW		1
37	503 48 11-01	PIECE		1
38	531 00 45-52	GASKET KIT		1

U

Zama C1Q-EL39A



(A) — 37

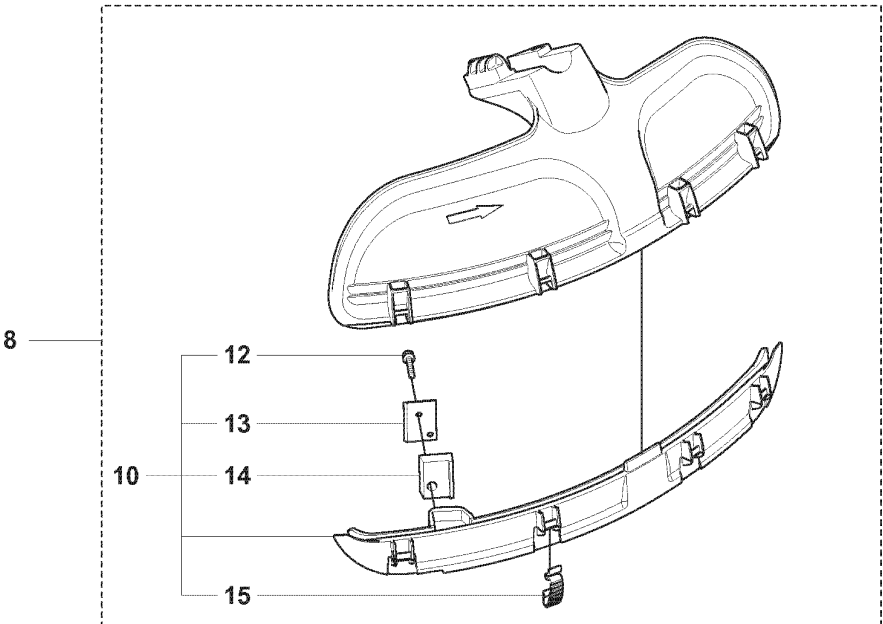
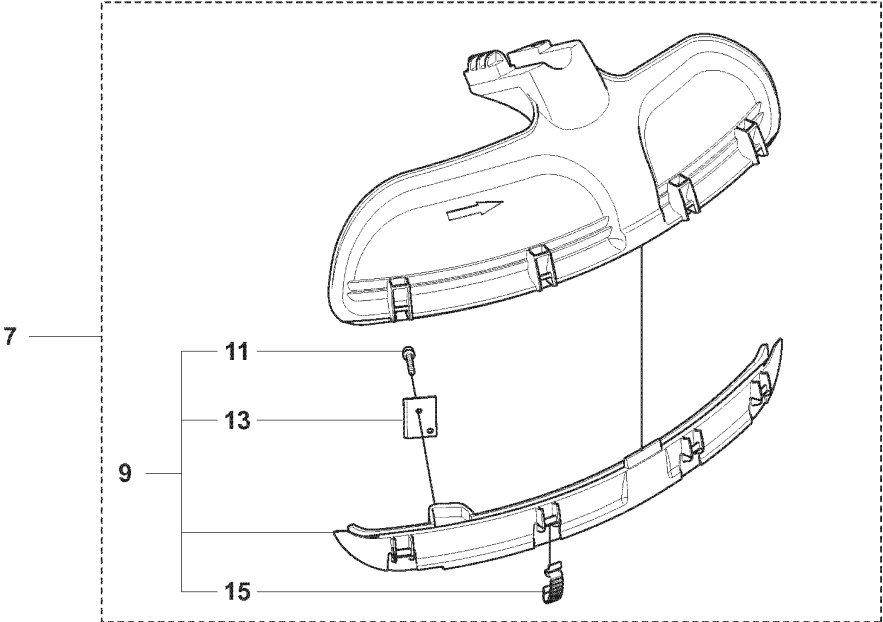
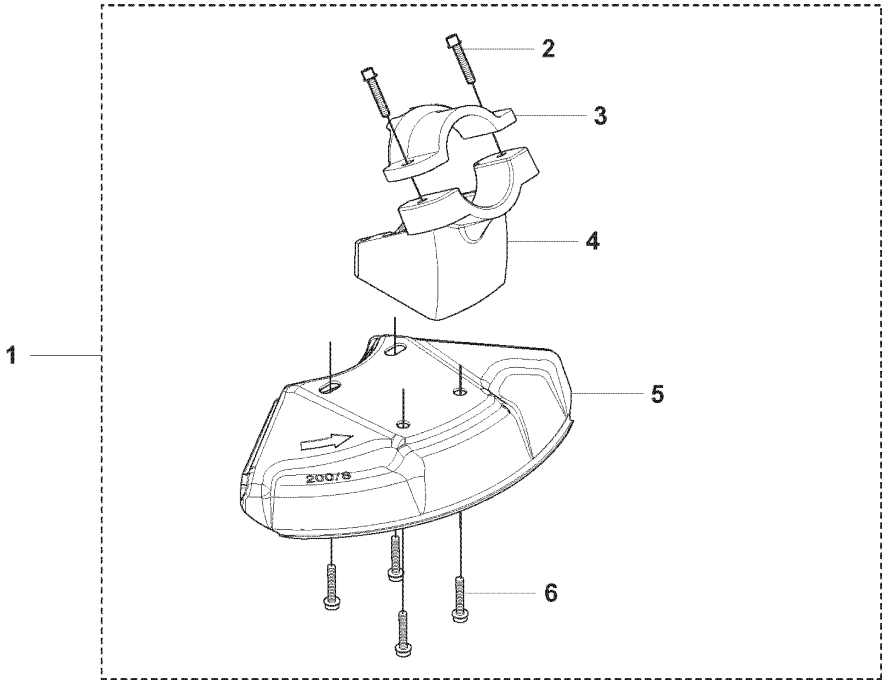
Set of gaskets
 Dichtungssatz
 Jeu de joints
 Juego de juntas
 Packningssats

CARBURETOR DETAILS

241 R, 2007-11

Ref	Part No	Description	Remark	QTY KIT
1	501 32 70-01	CARBURETTOR		1
2	503 48 05-01	SCREW		2
3	503 97 43-01	COVER		1
4	504 10 56-01	DIAPHRAGM		1
5	537 02 04-01	GASKET		1
6	503 53 56-01	PLUG WELCH		1
7	503 48 01-01	SCREW		1
8	503 66 59-01	LEVER		1
9	537 02 03-01	SPRING		1
10	537 38 73-01	NOZZLE ASSY		1
11	503 48 00-01	PIN RETAINING SCREW		1
12	503 47 97-01	VALVE		1
13	504 10 27-01	SHAFT ASSY		1
14	537 41 72-01	VALVE		1
15	503 47 92-01	SCREW		1
16	501 32 71-01	SHAFT ASSY		1
17	544 37 24-01	SPRING		1
18	503 48 18-01	SCREW		1
19	537 37 03-01	VALVE		1
20	544 37 26-01	SPRING		1
21	544 37 25-01	LEVER		1
22	544 42 70-01	COLLAR		1
23	537 01 26-01	SPRING		1
24	537 01 25-01	BALL		1
25	503 48 13-01	STRAINER		1
26	501 32 73-01	SCREW		1
27	501 32 72-01	SCREW		1
28	537 38 52-01	CLIP		1
29	537 41 74-01	LEVER		1
30	503 47 90-01	SCREW		1
31	537 02 00-01	DIAPHRAGM PUMP		1
32	537 02 01-01	GASKET		1
33	537 41 68-01	COVER		1
34	537 02 07-01	SCREW		1
35	503 48 11-01	PIECE		1
36	503 47 96-01	SCREW		1
37	531 00 45-52	GASKET KIT		1
38	537 41 70-01	LIMITER CAP		2

V



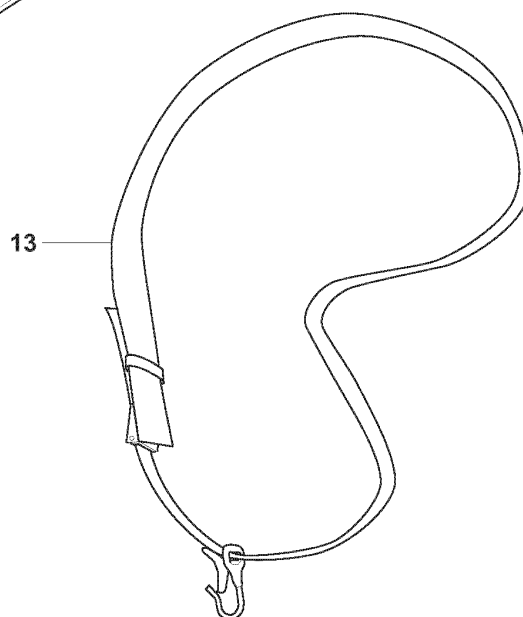
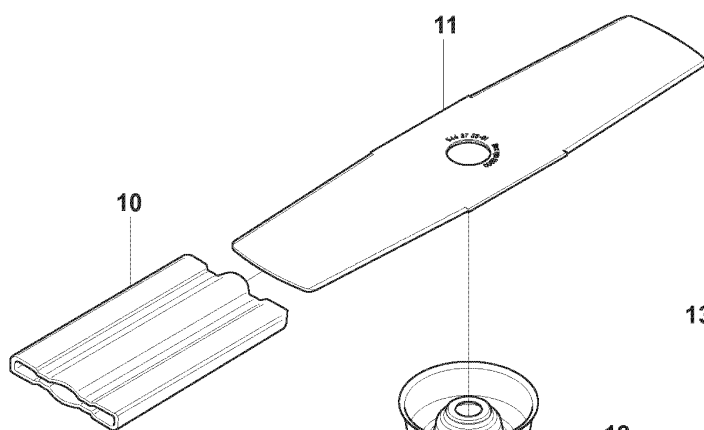
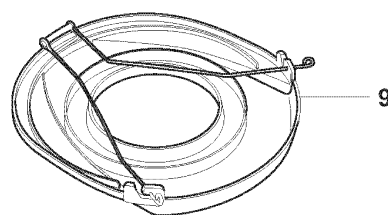
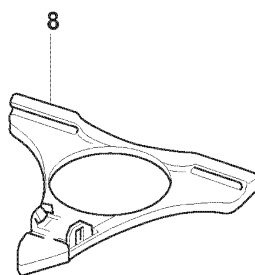
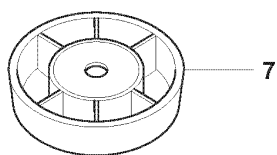
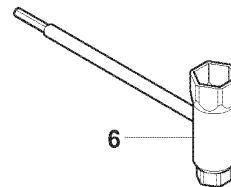
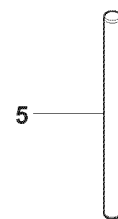
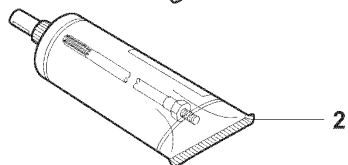
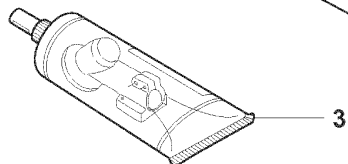
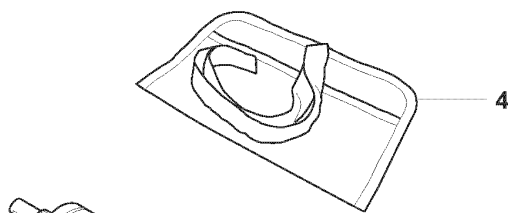
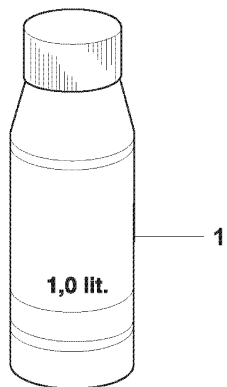
GUARDS

241 R, 2007-11

Ref	Part No	Description	Remark	QTY KIT
1	537 38 77-01	BLADE GUARD		1
2	503 20 02-16	SCREW IHSCFM		1
3	537 36 11-01	CLAMP		1
4	537 36 10-01	ADAPTER		1
5	537 21 71-04	BLADE GUARD		1
6	503 20 02-16	SCREW IHSCFM		4
7	537 33 16-01	COMBI GUARD		1
8	537 39 63-01	SPLASH GUARD		1
9	503 21 07-16	SCREW IHSCF		1
10	503 79 88-01	BLADE		1
11	537 38 72-01	SNAP LOCKING		4
12	537 33 16-03	SPLASH GUARD		1
13	537 39 63-03	SPLASH GUARD		1
14	503 21 68-25	SCREW IHSCFT		1
15	503 79 88-01	BLADE		1
16	544 12 45-01	RETAINER		1
17	537 38 72-01	SNAP LOCKING		4

W Accessories
 Zubehöre
 Accessoires
 Accesorios
 Tillbehör

Oil Airfilter
 Öl Luftfilter
 Huile Filtraire
 Aceite Filtro Air
 Olja Luftfilter

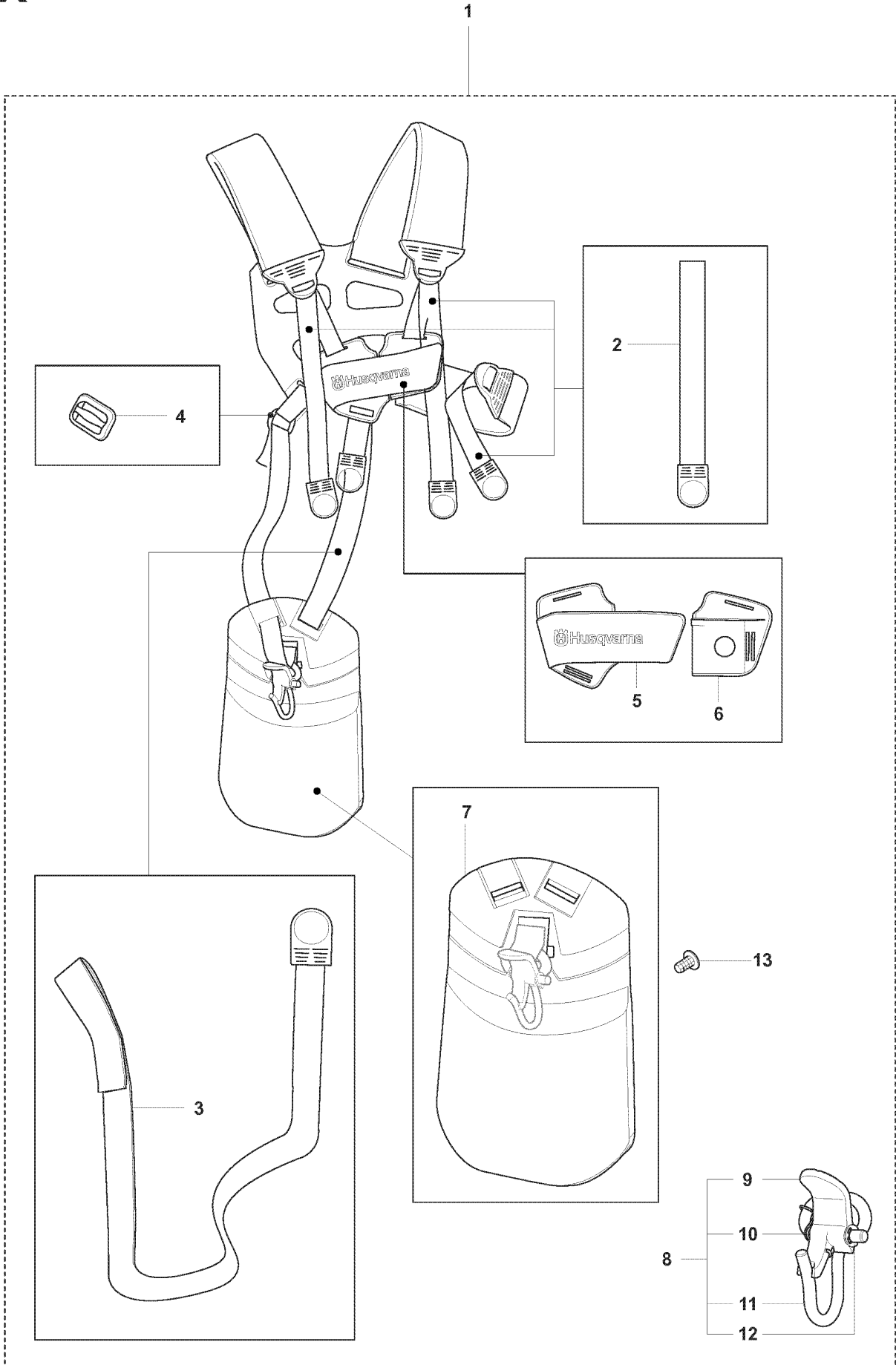


ACCESSORIES

241 R, 2007-11

Ref	Part No	Description	Remark	QTY KIT
1	531 00 92-48	FILTER OIL		1
2	503 80 17-01	GREASE		1
3	503 97 64-01	GREASE		1
4	501 19 22-01	TOOL		1
5	502 28 59-01	STOP		1
6	537 36 21-01	COMBINATION WRENCH		1
7	503 89 01-02	SUPPORT CUP		1
8	502 26 23-01	TRANSPORT GUARD		1
9	537 31 29-01	TRANSPORT GUARD		1
10	537 12 99-04	BAR GUARD		2
11	501 04 37-01	GRASS BLADE		1
12	544 38 02-01	SUPPORT CUP		1
13	537 21 62-01	HARNESS		1

X Duo Balance



HARNESS

241 R, 2007-11

Ref	Part No	Description	Remark	QTY KIT
1	537 27 57-02	HARNESS		1
2	503 99 61-01	BAND		3
3	503 99 61-03	BAND		1
4	537 11 35-01	RETAINER		1
5	537 28 84-01	BUCKLE		1
6	537 28 83-01	BUCKLE		1
7	537 27 59-01	HIP PAD		1
8	502 02 28-05	WELT HOOK		1
9	502 02 30-02	LOCK		1
10	502 02 38-01	SPRING		1
11	502 02 29-02	HOOK		1
12	735 31 09-20	E-CLIP		1
13	537 17 54-01	HIP PAD		3