

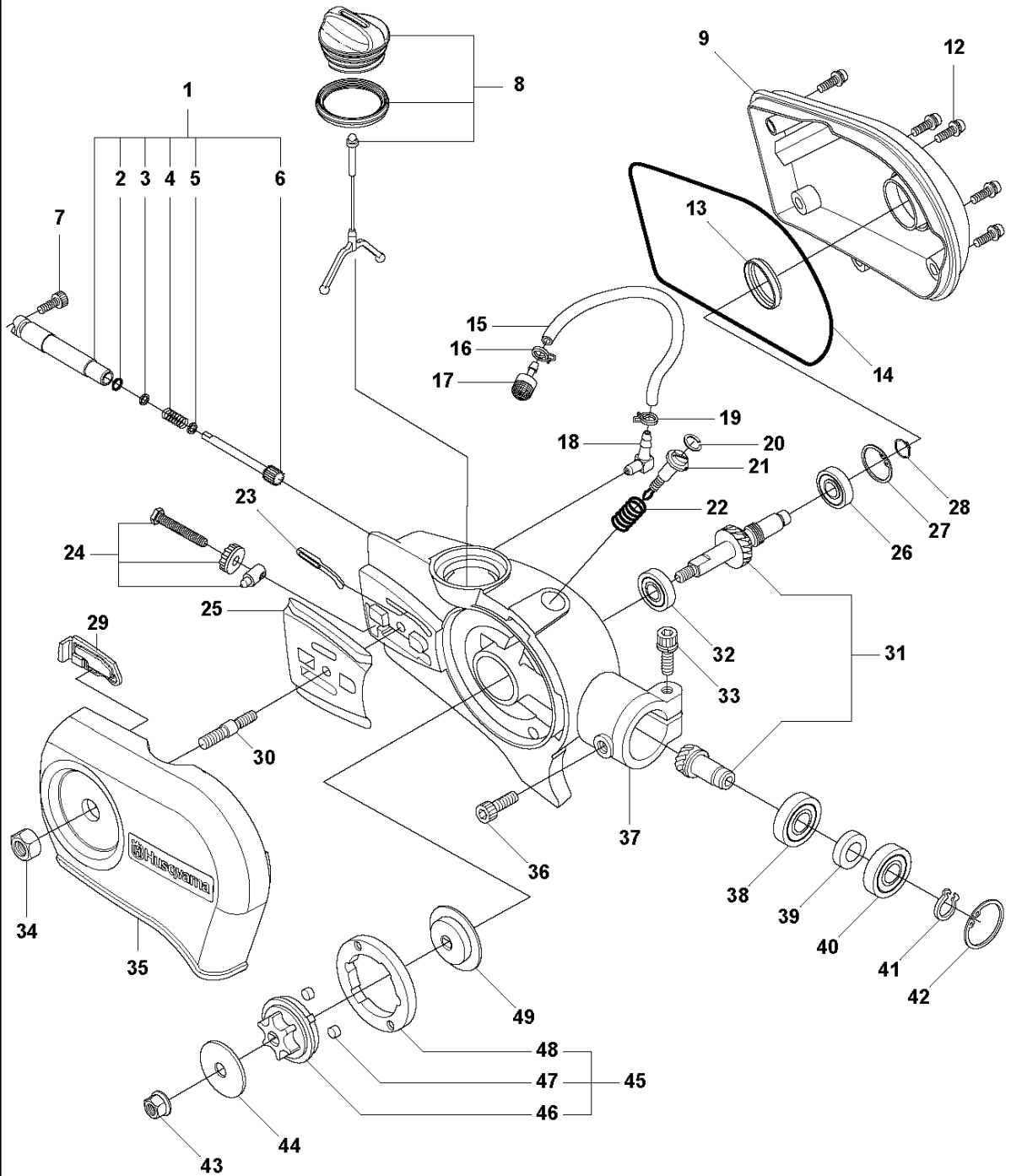


# SPARE PARTS LIST

POLE PRUNER/POLE SAWS

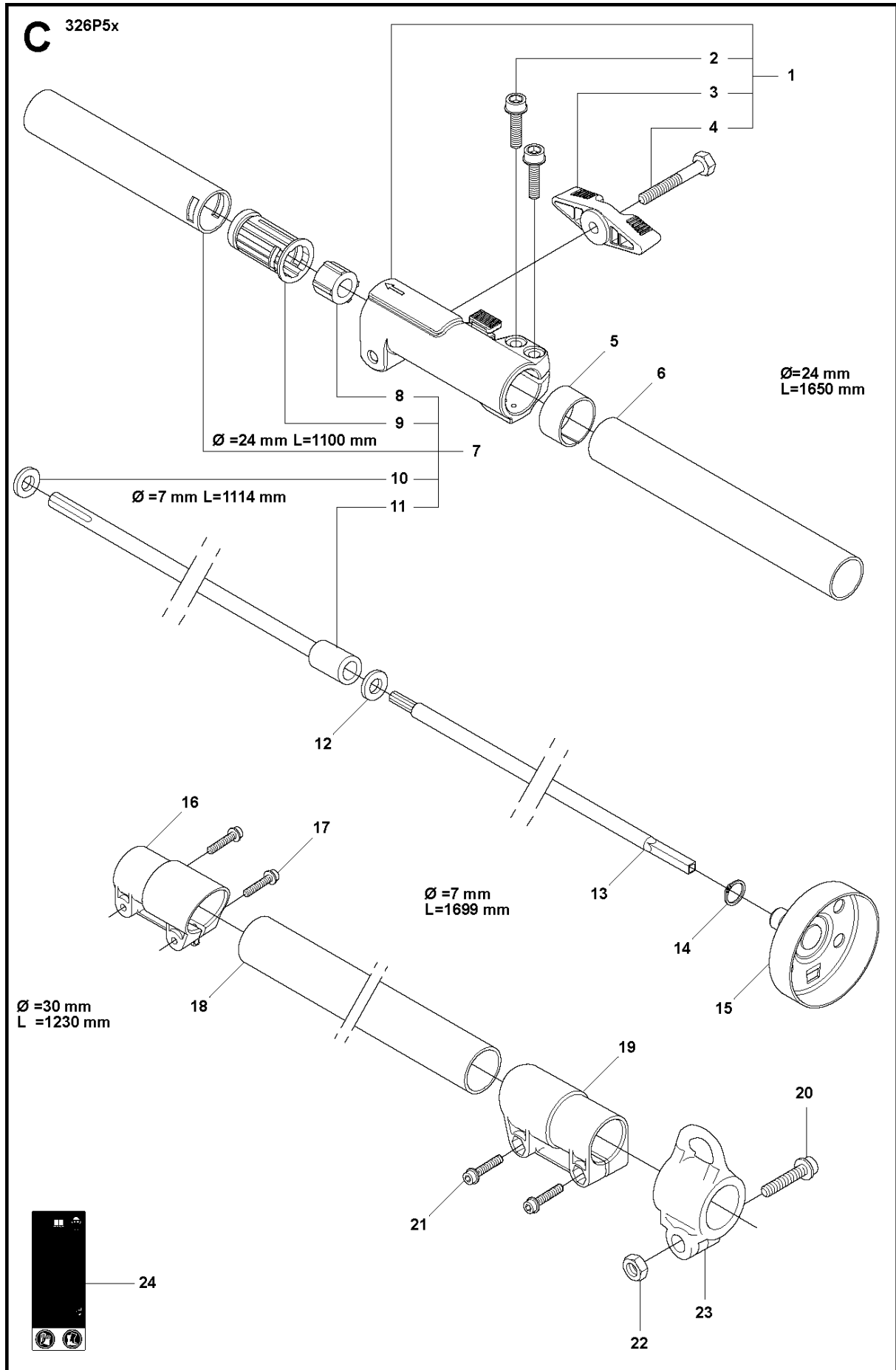
326P5, 20080900001-current,  
SUPPLEMENTAL PARTS LIST, NO  
ENGINE PARTS

**A** 326P5  
SAW HEAD



## GEAR HOUSING 326P5, 20080900001-current, SUPPLEMENTAL PARTS LIST, NO ENGINE PARTS

Ref	Part No	Description	Remark	QTY	KIT
1	537 29 92-01	OIL PUMP ASSY		1	
2	740 42 03-00	O-RING		1	1
3	503 23 00-16	WASHER		1	1
4	503 18 49-01	SPRING		1	1
5	503 23 00-16	WASHER		1	1
6	503 80 83-02	PUMP PISTON		1	1
7	725 53 27-55	SCREW IHSCM		1	
8	537 28 15-02	TANK CAP ASSY		1	
9	593 62 04-01	CAP ASSY		1	
12	725 53 29-55	SCREW IHSCM		5	
13	537 33 01-01	SEALING		1	
14	537 29 10-01	O-RING		1	
15	537 29 11-01	HOSE		1	
16	537 37 15-01	HOSE CLAMP		1	
17	504 71 00-03	OIL PLUMMET		1	
18	504 34 00-04	FITTING		1	
19	537 37 15-01	HOSE CLAMP		1	
20	537 29 09-01	CIRCLIP		1	
21	537 05 68-01	ADJUSTER		1	
22	503 97 82-01	SPRING		1	
23	537 33 17-01	OIL DUCT		1	
24	537 22 82-01	CHAIN TENSIONER		1	
25	537 19 42-01	CHAIN GUIDE PLATE		1	
26	738 21 00-04	BALL BEARING		1	
27	735 31 27-10	CIRCLIP		1	
28	735 31 12-00	CIRCLIP		1	
29	537 32 92-01	SEALING		1	
30	537 19 44-01	BAR BOLT		1	
31	537 29 90-01	GEAR WHEEL KIT		1	
32	738 21 99-04	BALL BEARING		1	
33	725 53 33-55	SCREW IHSCM		1	
34	731 23 18-01	HEXAGON NUT		1	
35	537 24 60-01	COVER		1	
36	725 53 27-55	SCREW IHSCM		1	
37	537 22 74-01	HOUSING		1	
38	738 21 99-04	BALL BEARING		1	
39	537 24 77-01	SPACER		1	
40	738 21 99-04	BALL BEARING		1	
41	735 31 11-00	CIRCLIP		1	
42	735 31 25-10	CIRCLIP		1	
43	731 71 16-51	HEXAGON NUT FLANGE		1	
44	503 23 00-68	WASHER		1	
45	537 27 18-01	FLYWHEEL		1	
46	537 27 15-01	HUB		1	45
47	537 27 17-01	BUSHING		2	45
48	537 27 14-01	RING		1	45
49	537 27 16-01	HUB CAP		1	
50	537 23 00-01	LABEL		1	

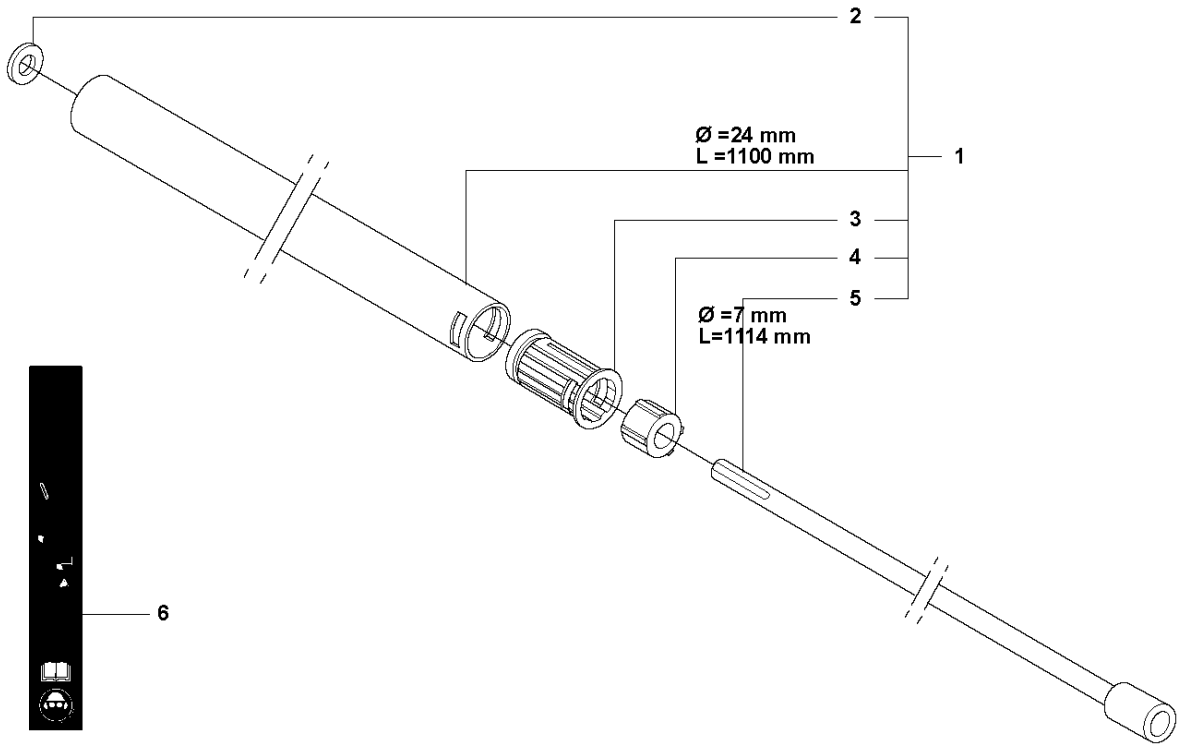


## SHAFT

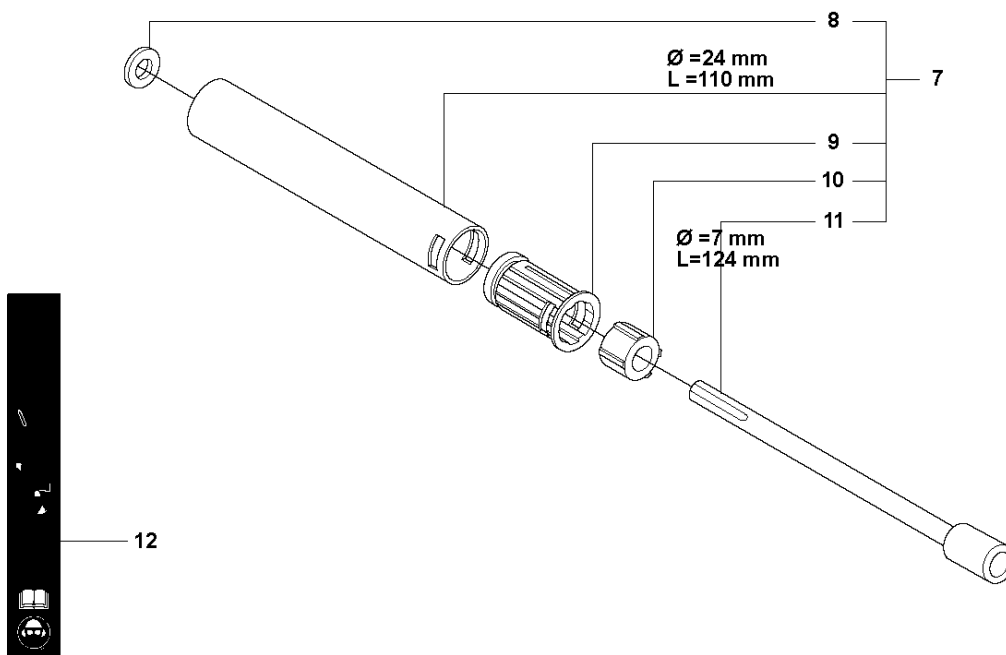
## 326P5, 20080900001-current, SUPPLEMENTAL PARTS LIST, NO ENGINE PARTS

Ref	Part No	Description	Remark	QTY KIT	
1	544 36 75-01	CLAMPING SLEEVE		1	
2	729 92 18-01	SCREW DV PAN		2	1
3	502 20 38-01	KNOB		1	1
4	725 23 79-51	SCREW EHHM		1	1
5	537 24 51-01	SPACER		1	
6	537 17 50-01	TUBE	Ø=24 mm L=1650 mm	1	
7	537 17 48-01	TUBE	Ø=24 mm L=1100 mm	1	
8	503 78 52-01	SUPPORTING BEARING		1	7
9	544 37 87-01	PLUG		1	7
10	735 58 08-10	LOCKWASHER		1	7
11	537 18 09-01	DRIVE SHAFT	Ø=7 mm L=1114 mm	1	7
12	735 58 08-10	LOCKWASHER		1	
13	537 23 48-06	DRIVE SHAFT	Ø=7 mm L=1699 mm	1	
14	735 31 12-00	CIRCLIP		1	
15	537 23 75-01	CLUTCH DRUM ASSY		1	
16	537 27 29-01	COMPRESSION SLEEVE		1	
17	503 21 75-20	SCREW IHSCFT		2	
18	537 24 68-01	PIPE	Ø=30 mm L=1230 mm	1	
19	537 27 29-01	COMPRESSION SLEEVE		1	
20	503 20 07-16	SCREW IHSCFM		1	
21	503 21 75-20	SCREW IHSCFT		2	
22	731 23 14-01	HEXAGON NUT		1	
23	503 94 10-01	HOOK		1	
24	537 08 38-01	LABEL		1	

**D** Saw Attachment



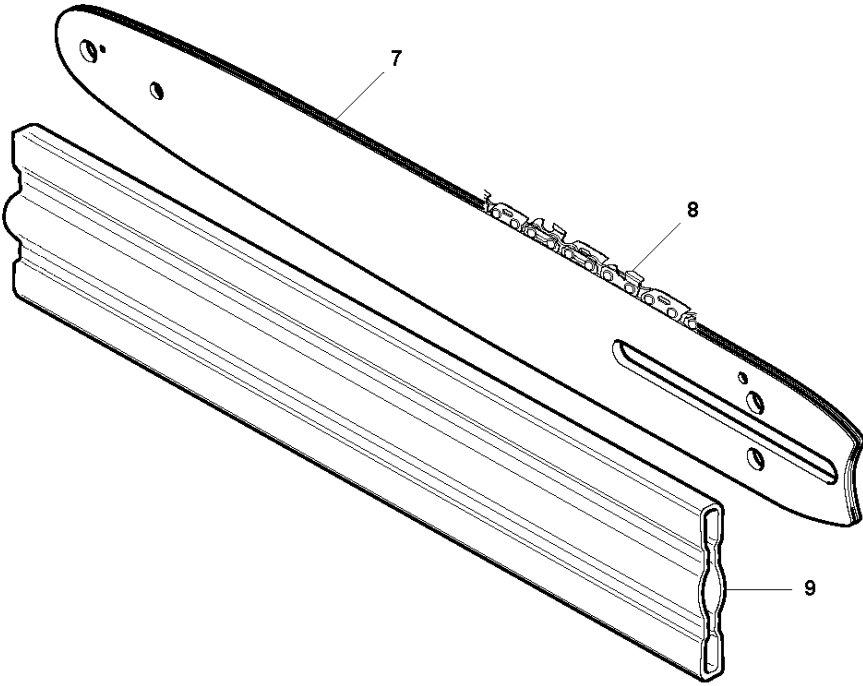
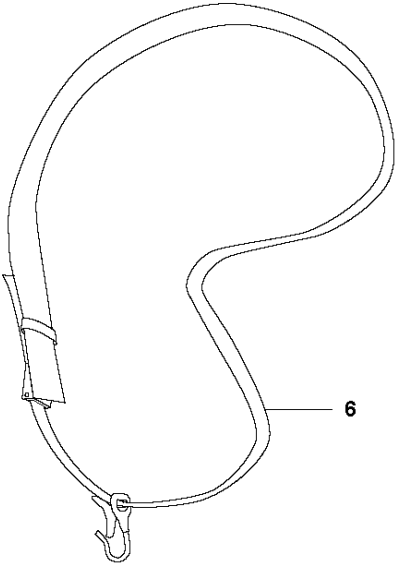
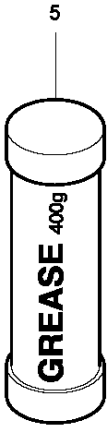
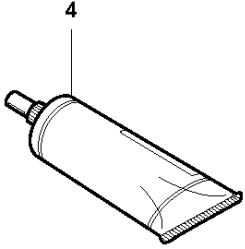
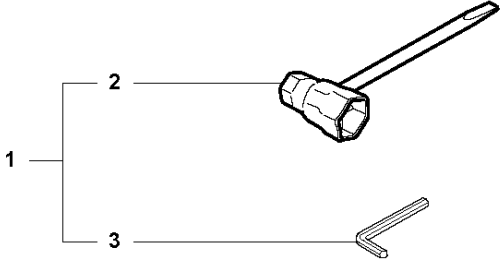
Saw Attachment



BEVEL GEAR & SHAFT 326P5, 20080900001-current, SUPPLEMENTAL PARTS LIST, NO ENGINE PARTS

Ref	Part No	Description	Remark	QTY KIT	
1	537 17 48-01	TUBE		1	
2	735 58 08-10	LOCKWASHER		1	1
3	503 98 54-01	BEARING CAGE		1	1
4	503 78 52-01	SUPPORTING BEARING		1	1
5	537 18 09-01	DRIVE SHAFT	Ø=7 mm L=1114 mm	1	1
6	537 19 84-01	LABEL		1	
7	537 19 58-01	TUBE	Ø=24 mm L=110 mm	1	
8	735 58 08-10	LOCKWASHER		1	7
9	503 98 54-01	BEARING CAGE		1	7
10	503 78 52-01	SUPPORTING BEARING		1	7
11	537 19 59-01	DRIVE SHAFT	Ø=7 mm L=124 mm	1	7
12	537 19 84-01	LABEL		1	

**R** Accessories

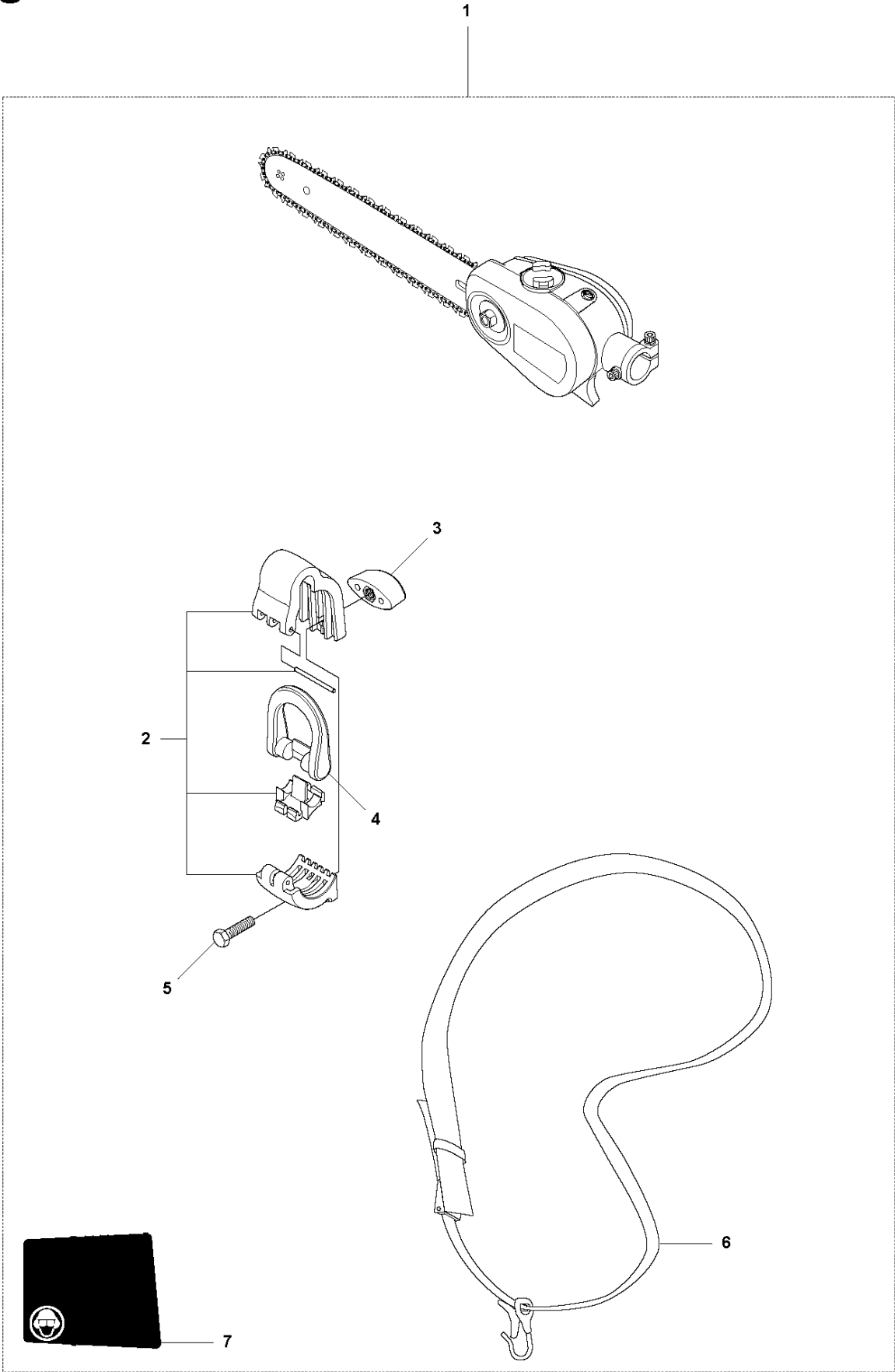




## ACCESSORIES 326P5, 20080900001-current, SUPPLEMENTAL PARTS LIST, NO ENGINE PARTS

Ref	Part No	Description	Remark	QTY	KIT
1	537 04 07-10	ACCESSORY BAG		1	
2	501 69 17-01	COMBINATION WRENCH		1	1
3	502 21 58-01	WRENCH		1	1
4	503 98 96-01	GREASE		1	
5	531 00 92-05	GREASE		1	
6	537 21 62-01	HARNESS		1	
6	537 21 62-02	HARNESS	(USA)	1	
7	501 95 92-40	BAR	"(10")"	1	
7	501 95 92-45	BAR	"(12")"	1	
8	501 84 21-40	SAW CHAIN	"(10")"	1	
8	501 84 21-45	SAW CHAIN	"(12")"	1	
9	537 12 99-01	BAR COVER		1	

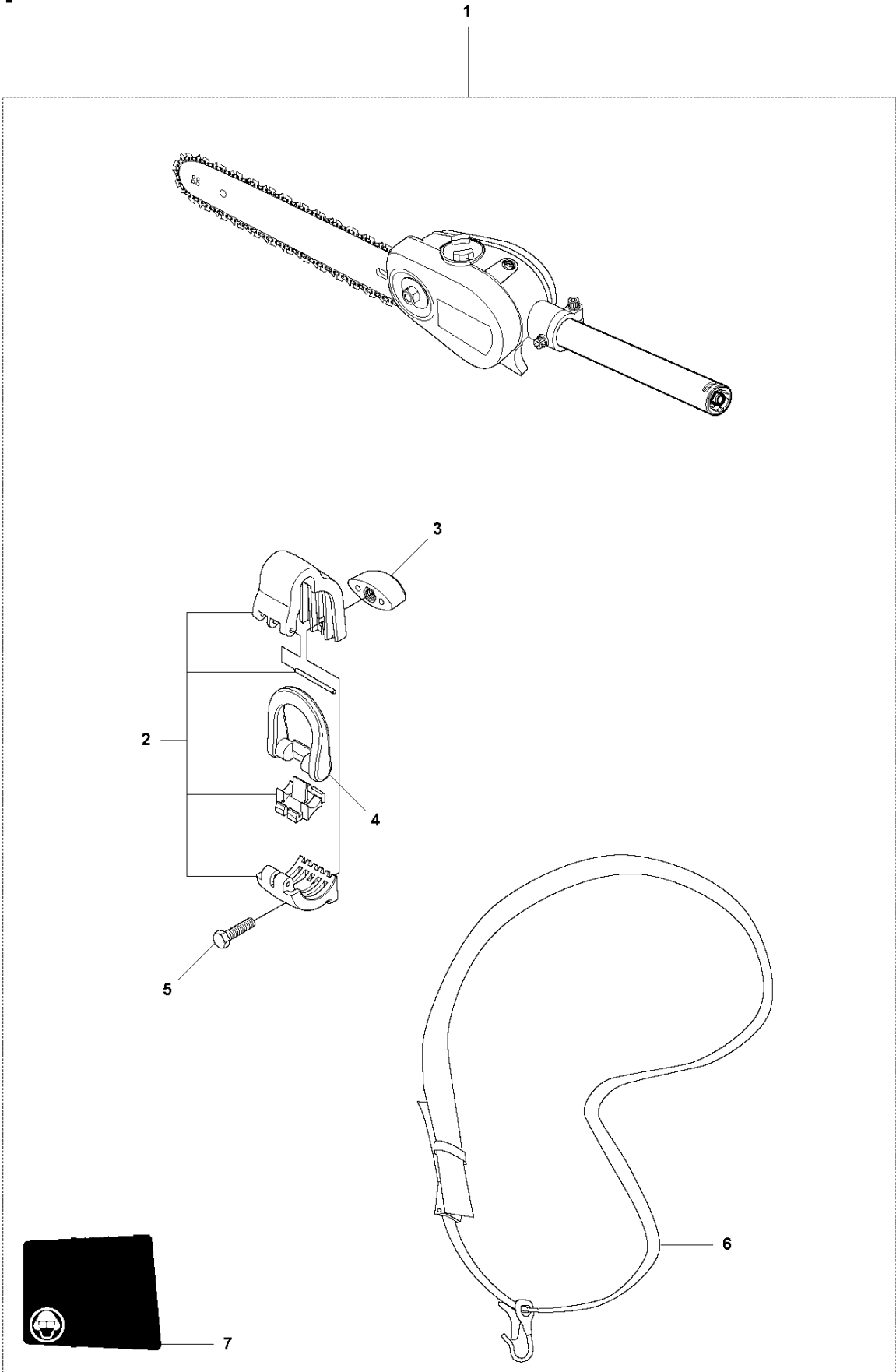
**S** Saw Attachment



## ACCESSORIES 326P5, 20080900001-current, SUPPLEMENTAL PARTS LIST, NO ENGINE PARTS

Ref	Part No	Description	Remark	QTY	KIT
1	537 18 33-11	ATTACHMENT		1	1
1	537 18 33-12	ATTACHMENT	(USA)	1	
2	537 35 36-01	LOOP		1	1
3	537 13 04-02	KNOB		1	1
4	537 35 01-01	LOOP		1	1
5	725 23 31-51	SCREW		1	1
6	537 21 62-01	HARNESS		1	1
6	537 21 62-02	HARNESS	(USA)	1	1
7	537 38 89-01	LABEL		1	1

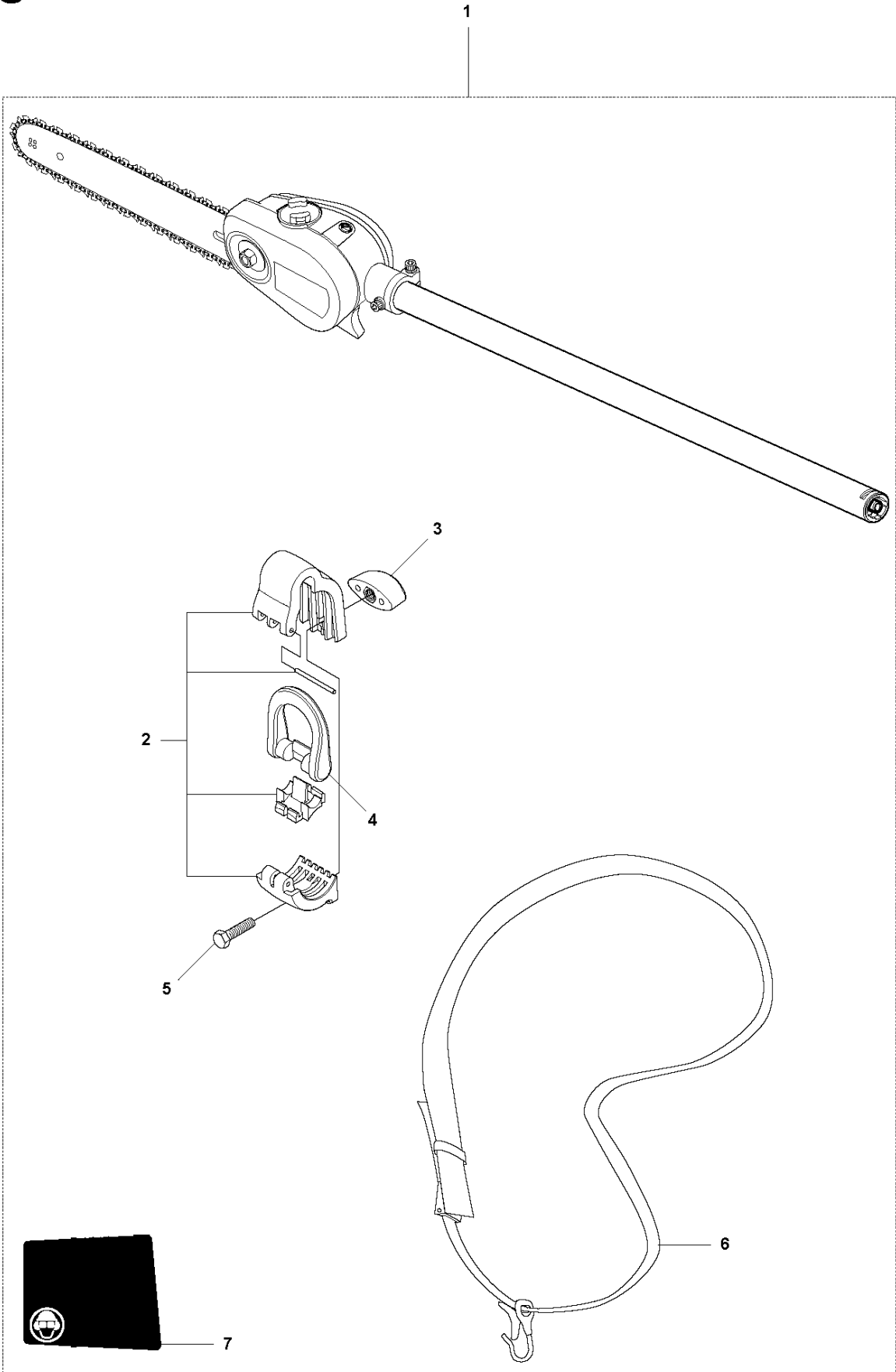
**T** Saw Attachment L=110mm



## ACCESSORIES 326P5, 20080900001-current, SUPPLEMENTAL PARTS LIST, NO ENGINE PARTS

Ref	Part No	Description	Remark	QTY	KIT
1	537 18 33-13	ATTACHMENT		1	
2	537 35 36-01	LOOP		1	1
3	537 13 04-02	KNOB		1	1
4	537 35 01-01	LOOP		1	1
5	725 23 31-51	SCREW		1	1
6	537 21 62-01	HARNESS		1	1
6	537 21 62-02	HARNESS	(USA)	1	1
7	537 38 89-01	LABEL		1	1

**U** Saw Attachment L=1100mm



## ACCESSORIES 326P5, 20080900001-current, SUPPLEMENTAL PARTS LIST, NO ENGINE PARTS

Ref	Part No	Description	Remark	QTY	KIT
1	537 18 33-16	ATTACHMENT		1	
1	537 18 33-17	ATTACHMENT	(USA)	1	1
2	537 35 36-01	LOOP		1	1
3	537 13 04-02	KNOB		1	1
4	537 35 01-01	LOOP		1	1
5	725 23 31-51	SCREW		1	1
6	537 21 62-01	HARNESS		1	1
6	537 21 62-02	HARNESS	(USA)	1	1
7	537 38 89-01	LABEL		1	1

# Illustrated Parts List - IPL Update



Product Name(s)

**326P5, 20080900001-current, SUPPLEMENTAL PARTS LIST, NO ENGINE PARTS**

Description of change

Plug, valve and hub cap will not be sold separately, but delivered as an assy, Cap assy.

Comments

Backward compatible

Introduced from

Serial number / Date	Remark
2019-12	

IPL updates

Page title	Ref . no	New part no	Name	Excl. part no.	Remark
SAW HEAD	9	593620401	Cap ASSY	537227501	New assembly. Including valve, plug and hub cap.
SAW HEAD	10	-	Valve	537040301	Included in new Cap ASSY
SAW HEAD	11	-	Plug	503981301	Included in new Cap ASSY
SAW HEAD	9	-	Hub cap	537227501	Included in new Cap ASSY