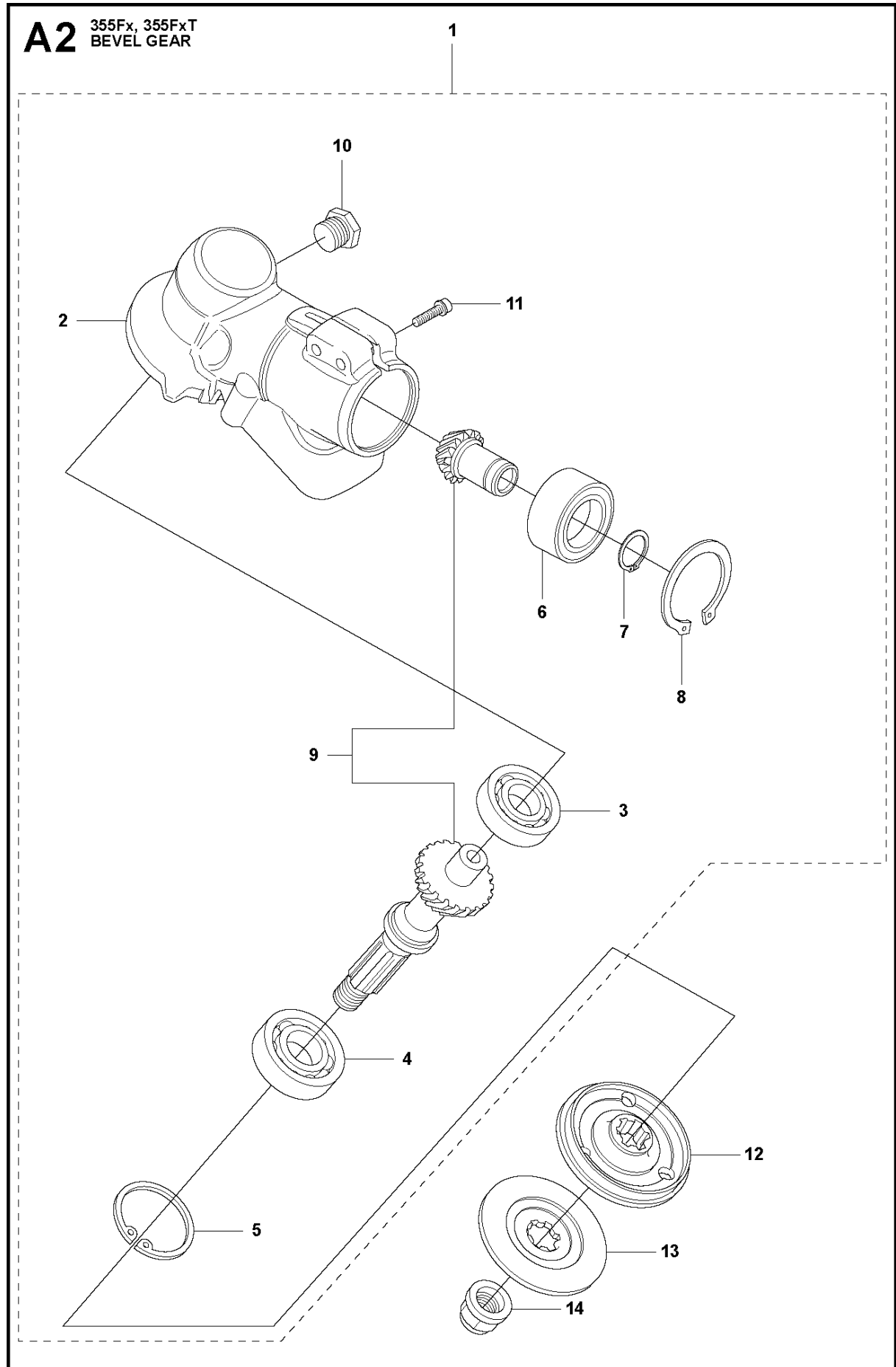




SPARE PARTS LIST

BRUSHCUTTERS/CLEARING SAWS

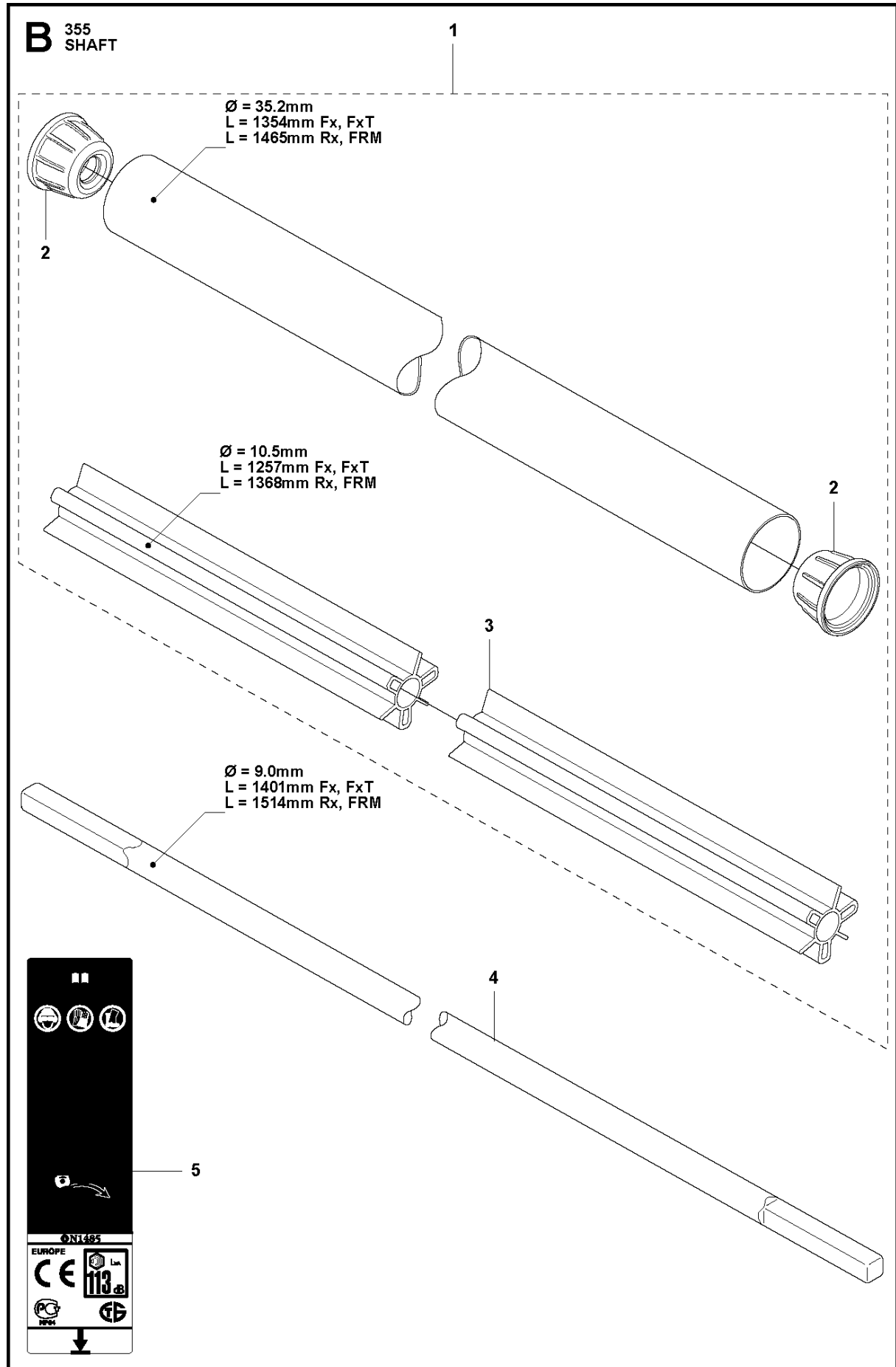
355 FXT, 2019-07



BEVEL GEAR

355 FXT, 2019-07

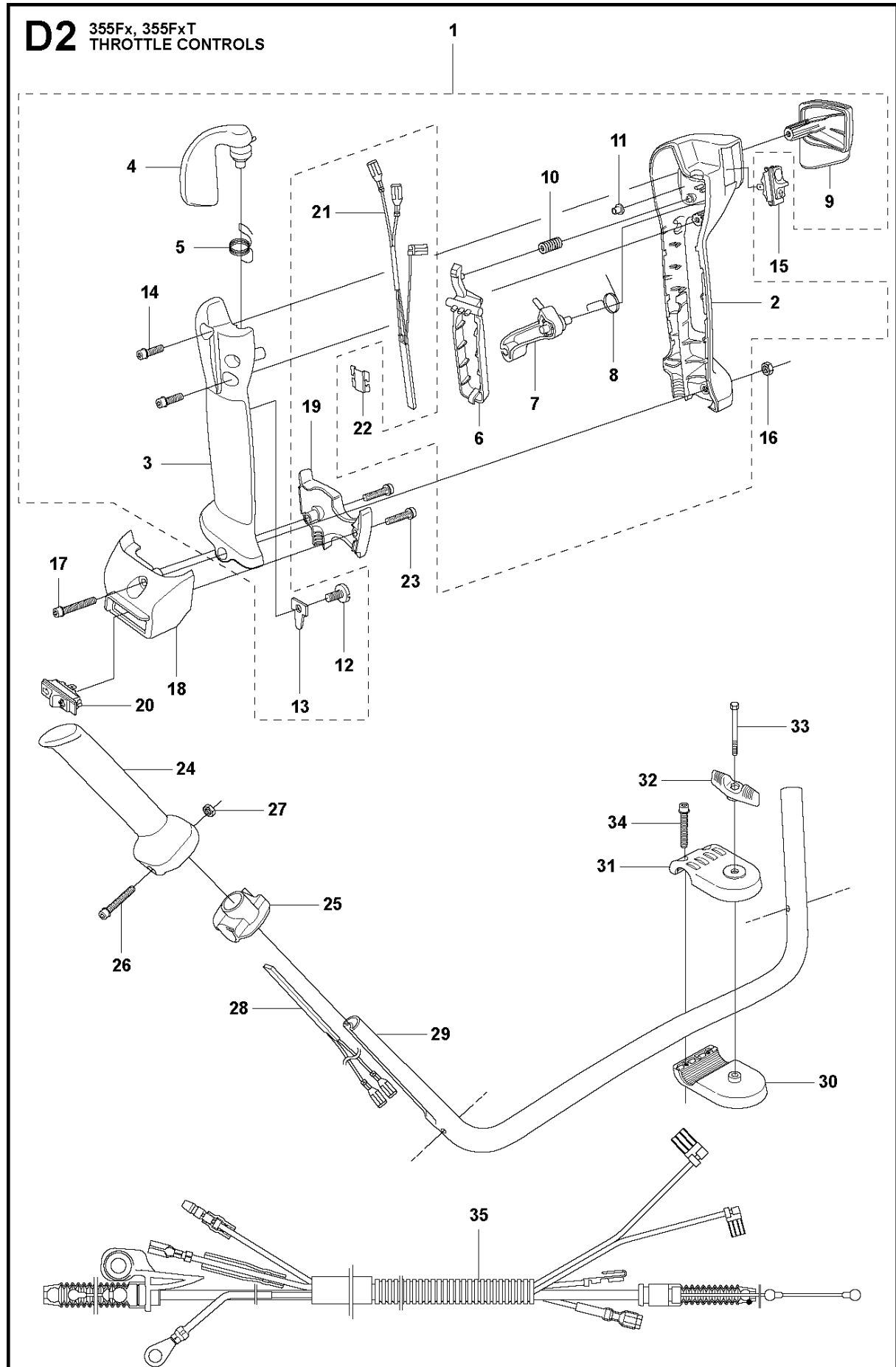
| Ref | Part No | Description | Remark | QTY KIT | |
|-----|--------------|----------------|-----------------|---------|---|
| 1 | 537 42 82-04 | BEVEL GEAR | Incl. Pos. 2-11 | 1 | |
| 2 | 537 42 83-01 | GEAR HOUSING | | 1 | 1 |
| 3 | 738 21 01-10 | BALL BEARING | | 1 | 1 |
| 4 | 503 25 25-01 | BALL BEARING | | 1 | 1 |
| 5 | 735 31 33-10 | CIRCLIP | | 1 | 1 |
| 6 | 503 25 18-01 | BEARING | | 1 | 1 |
| 7 | 735 31 17-00 | CIRCLIP | | 1 | 1 |
| 8 | 735 31 31-10 | CIRCLIP | | 1 | 1 |
| 9 | 502 43 47-01 | GEAR WHEEL KIT | Kit | 1 | 1 |
| 10 | 503 20 15-01 | SCREW | | 1 | 1 |
| 11 | 725 53 72-65 | SCREW IHSCM | | 2 | 1 |
| 12 | 544 19 78-01 | DRIVER | | 1 | |
| 13 | 544 21 78-01 | SUPPORT FLANGE | | 1 | |
| 14 | 503 22 73-01 | NUT | | 1 | |



SHAFT

355 FXT, 2019-07

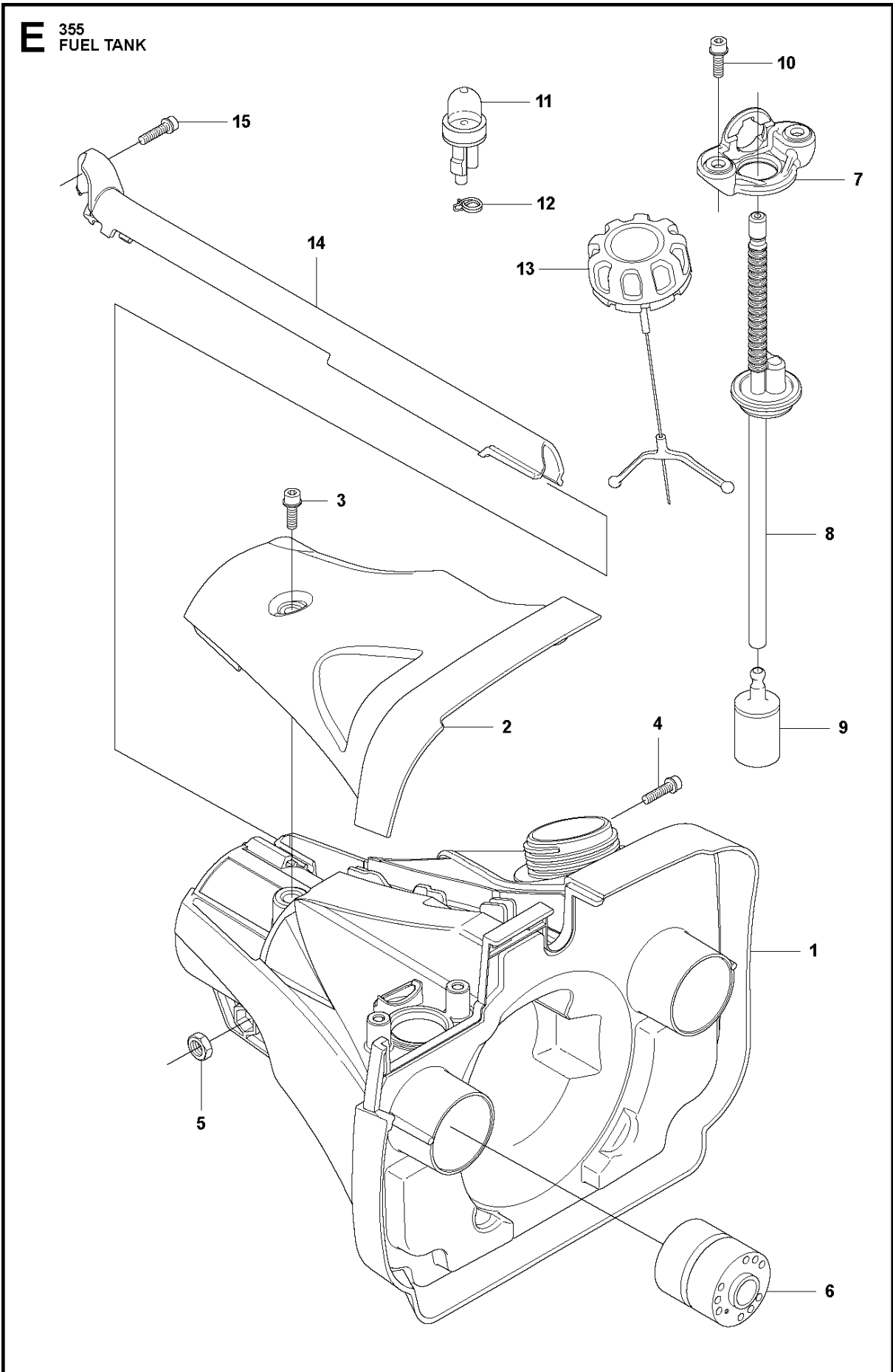
| Ref | Part No | Description | Remark | QTY KIT | |
|-----|--------------|----------------------|----------------------------|---------|---|
| 1 | 510 02 78-03 | TUBE DRIVESHAFT ASSY | Incl. Pos. 2-3, Reinforced | 1 | |
| 2 | 544 32 05-01 | SPACER | | 2 | 1 |
| 3 | 505 13 13-01 | BEARING SHAFT | L=1257mm, Ø=10.5mm | 1 | 1 |
| 4 | 544 15 67-01 | DRIVE SHAFT | L=1401mm, Ø=9.0mm | 1 | |
| 5 | 537 29 47-10 | LABEL | | 1 | |



THROTTLE CONTROLS

355 FXT, 2019-07

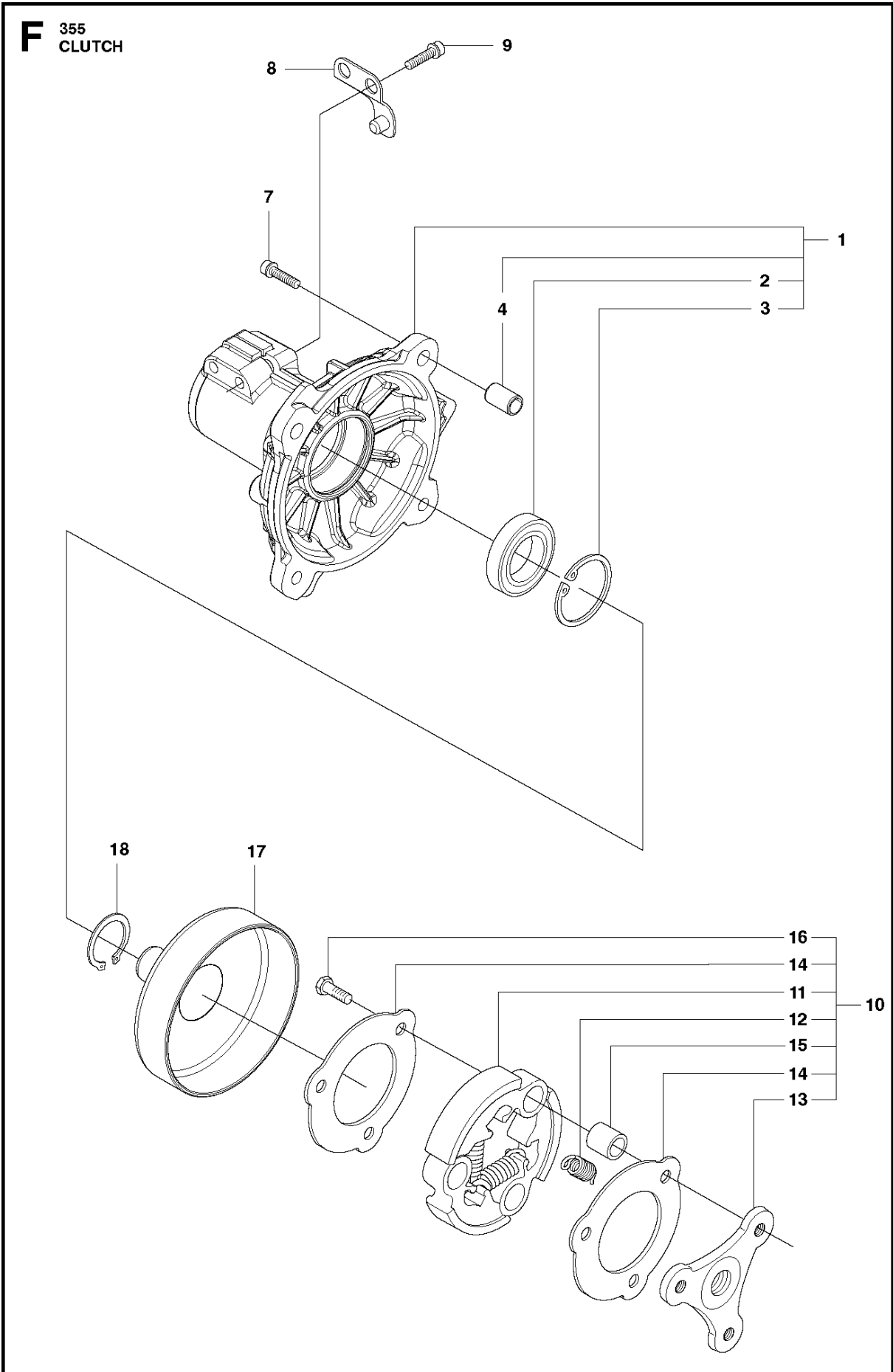
| Ref | Part No | Description | Remark | QTY | KIT |
|-----|--------------|----------------------|-----------------|-----|-----|
| 1 | 537 19 72-13 | THROTTLE HANDLE | Incl. Pos. 2-14 | 1 | |
| 2 | 537 15 52-01 | HANDLE HALF | | 1 | 1 |
| 3 | 537 15 53-01 | HANDLE HALF | | 1 | 1 |
| 4 | 537 26 34-01 | THROTTLE TRIGGER | | 1 | 1 |
| 5 | 537 28 37-01 | SPRING THROTTLE TRIG | | 1 | 1 |
| 6 | 537 15 56-01 | THROTTLE LOCKOUT | | 1 | 1 |
| 7 | 537 26 35-01 | THROTTLE LEVER | | 1 | 1 |
| 8 | 537 34 27-01 | SPRING | | 1 | 1 |
| 9 | 537 18 24-01 | COVER | | 1 | 1 |
| 10 | 537 19 97-01 | SPRING | | 1 | 1 |
| 11 | 537 30 72-01 | SLEEVE | | 1 | 1 |
| 12 | 503 21 70-10 | SCREW CCRPANT | | 1 | 1 |
| 13 | 537 25 11-01 | SECURING PLATE | | 1 | 1 |
| 14 | 503 21 75-20 | SCREW IHSCFT | | 2 | 1 |
| 15 | 537 41 90-01 | SWITCH | | 1 | |
| 16 | 731 23 14-05 | HEXAGON NUT | | 1 | |
| 17 | 503 20 02-35 | SCREW IHSCFM | Fx | 1 | |
| 17 | 503 20 02-45 | SCREW IHSCFM | FxT | 1 | |
| 18 | 537 20 15-01 | RETAINER | FxT | 1 | |
| 19 | 537 20 16-01 | RETAINER | FxT | 1 | |
| 20 | 503 71 82-02 | SWITCH | FxT | 1 | |
| 21 | 537 22 71-01 | ELEMENT | FxT | 1 | |
| 22 | 537 26 51-01 | SECURING PLATE | | 2 | |
| 23 | 503 21 71-20 | SCREW IHSCFT | FxT | 2 | |
| 24 | 537 17 28-05 | HANDLE | | 1 | |
| 25 | 537 17 29-02 | BRACKET | | 1 | |
| 26 | 503 20 02-45 | SCREW IHSCFM | | 1 | |
| 27 | 731 23 14-05 | HEXAGON NUT | | 1 | |
| 28 | 537 22 72-01 | ELEMENT | FxT | 1 | |
| 29 | 503 95 86-02 | HANDLEBAR | | 1 | |
| 30 | 537 12 91-01 | HANDLE BRACKET | | 1 | |
| 31 | 537 12 90-01 | HANDLEBAR BRACKET | | 1 | |
| 32 | 502 20 38-01 | KNOB | | 1 | |
| 33 | 725 23 84-85 | SCREW EHHM | | 1 | |
| 34 | 503 20 02-25 | SCREW IHSCFM | | 2 | |
| 35 | 537 40 34-01 | WIRING | Fx | 1 | |
| 35 | 537 40 34-02 | WIRING | FxT | 1 | |



FUEL TANK

355 FXT, 2019-07

| Ref | Part No | Description | Remark | QTY KIT |
|-----|--------------|-----------------------|--------------|---------|
| 1 | 537 35 88-01 | FUEL TANK | | 1 |
| 2 | 537 35 86-01 | COVER | | 1 |
| 3 | 503 20 07-72 | SCREW IHSCFM | | 1 |
| 4 | 503 20 07-76 | SCREW IHSCFM | | 1 |
| 5 | 503 22 10-12 | HEXAGON NUT | | 1 |
| 6 | 544 23 09-01 | ANTIVIBRATION ELEMENT | | 2 |
| 7 | 544 21 53-01 | BRACKET | | 1 |
| 8 | 544 21 54-01 | FUEL HOSE | | 1 |
| 9 | 503 44 32-01 | FUEL FILTER | | 1 |
| 10 | 503 20 07-76 | SCREW IHSCFM | | 2 |
| 11 | 503 93 66-01 | PURGE | | 1 |
| 12 | 544 34 86-01 | HOSE CLAMP | | 1 |
| 13 | 504 11 32-01 | TANK CAP | | 1 |
| 14 | 544 10 95-01 | WIRING PROTECTION | Rx | 1 |
| 14 | 544 10 95-02 | WIRING PROTECTION | Fx, FxT, FRM | 1 |
| 15 | 503 20 07-74 | SCREW IHSCFM | | 1 |

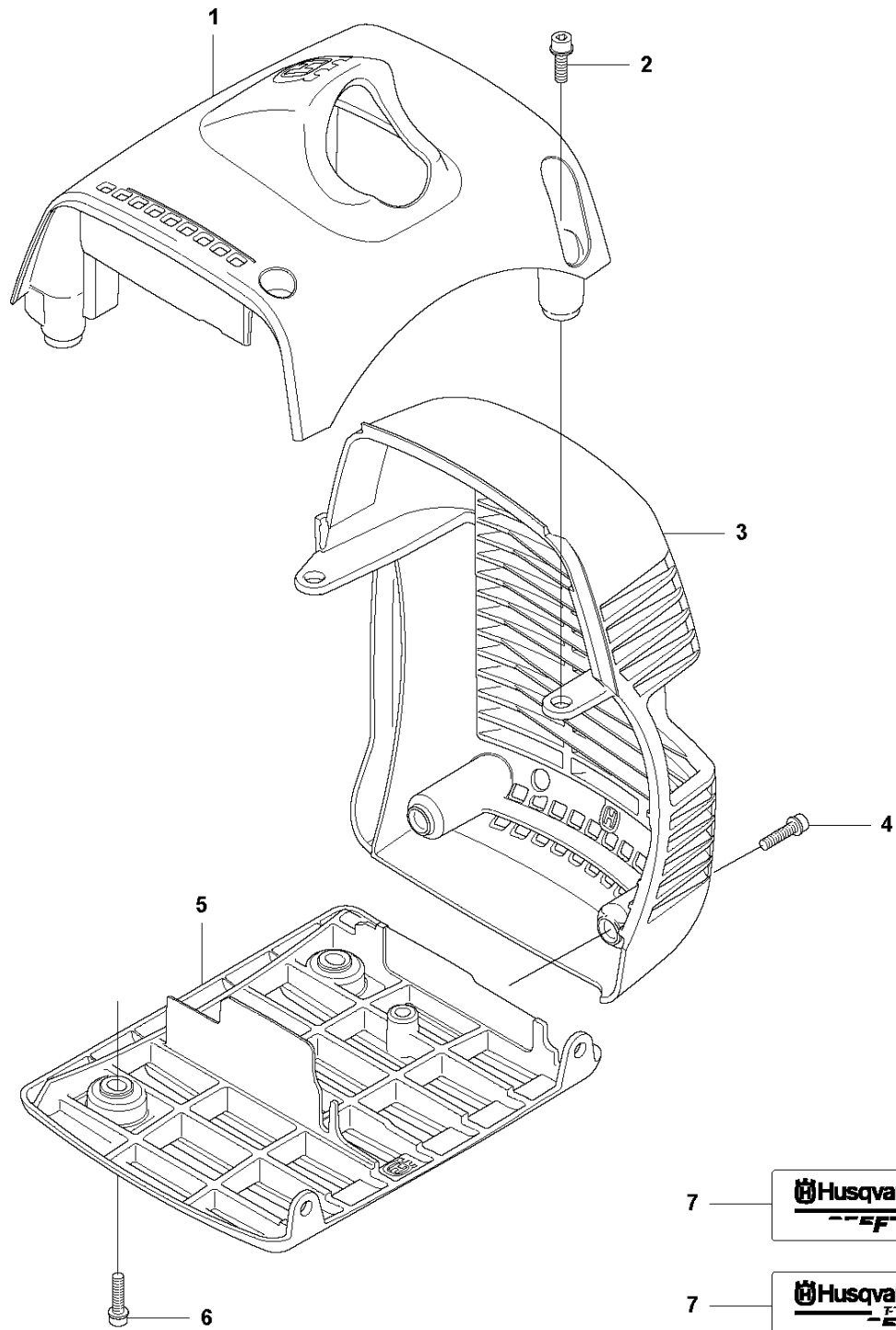


CLUTCH

355 FXT, 2019-07

| Ref | Part No | Description | Remark | QTY KIT | |
|-----|--------------|-------------------|--|---------|----|
| 1 | 597 51 92-01 | CLUTCH COVER ASSY | from s/n 20191600181- Incl. pos. 2-4 | 1 | |
| 1 | 597 51 92-02 | CLUTCH COVER ASSY | up to s/n - 20191600180. Incl. pos. 2-4 | 1 | |
| 2 | 738 22 02-19 | BALL BEARING | | 1 | 1 |
| 3 | 735 31 33-10 | CIRCLIP | | 1 | 1 |
| 4 | 593 80 60-01 | GUIDE BUSHING | from s/n 20191600181 | 2 | 1 |
| 4 | 597 37 11-01 | SLEEVE | up to s/n - 20191600180 | 2 | 1 |
| 7 | 503 20 07-78 | SCREW IHSCFM | | 4 | |
| 8 | 544 29 48-01 | LOCKING PLATE | | 1 | |
| 9 | 725 53 72-65 | SCREW IHSCM | | 2 | |
| 10 | 537 40 40-02 | CLUTCH ASSY | Incl. Pos. 11-16 | 1 | |
| 11 | 537 40 37-01 | CLUTCH SHOE | 1 clutch shoe only | 1 | 10 |
| 12 | 505 43 53-01 | CLUTCH SPRING | Ø 1.7 mm | 3 | 10 |
| 13 | 537 40 36-01 | CLUTCH HUB | | 1 | 10 |
| 14 | 544 89 28-01 | WASHER | | 2 | 10 |
| 15 | 537 13 54-01 | BEARING BUSH | | 3 | 10 |
| 16 | 503 20 18-02 | SCREW EHHM | | 3 | 10 |
| 17 | 575 86 16-01 | CLUTCH DRUM ASSY | | 1 | |
| 18 | 735 31 17-00 | CIRCLIP | | 1 | |

G1 355
CYLINDER COVER



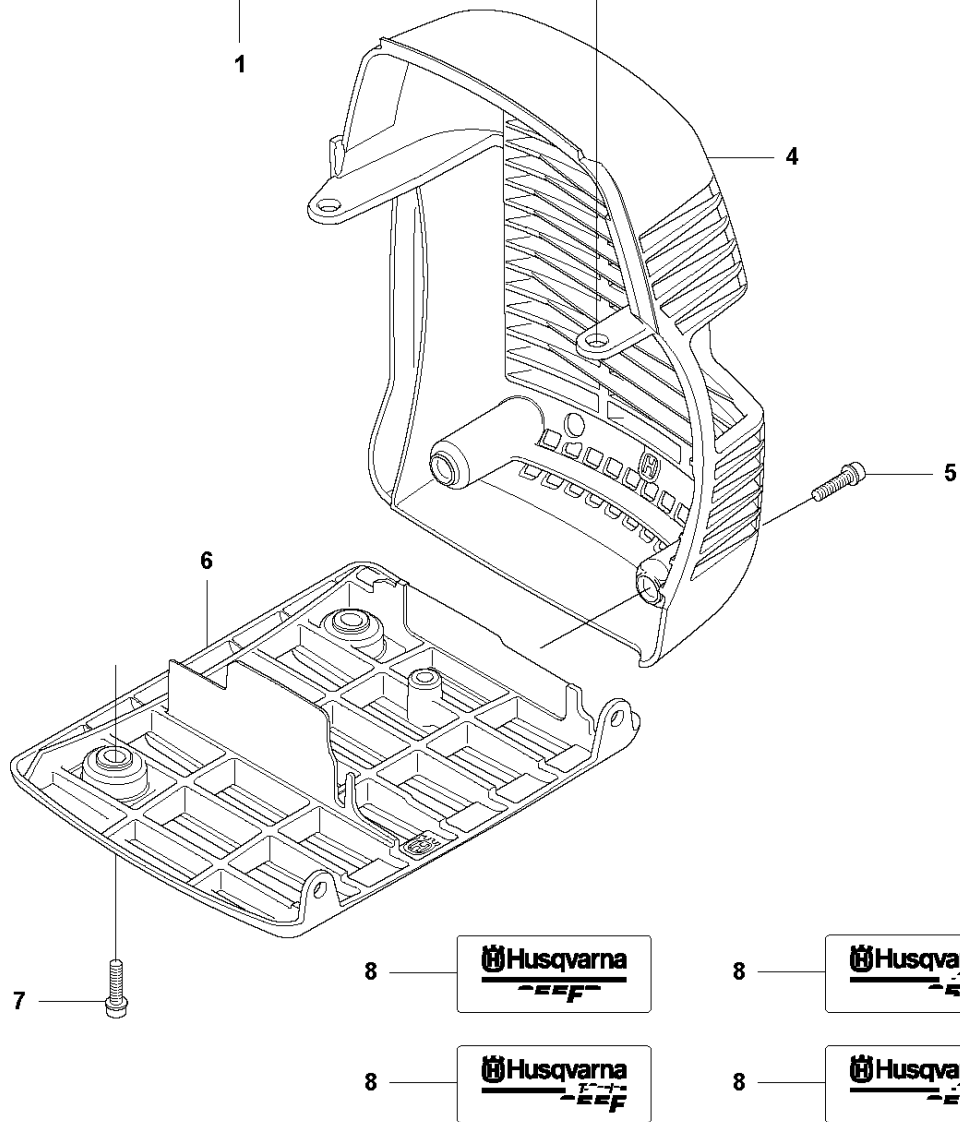
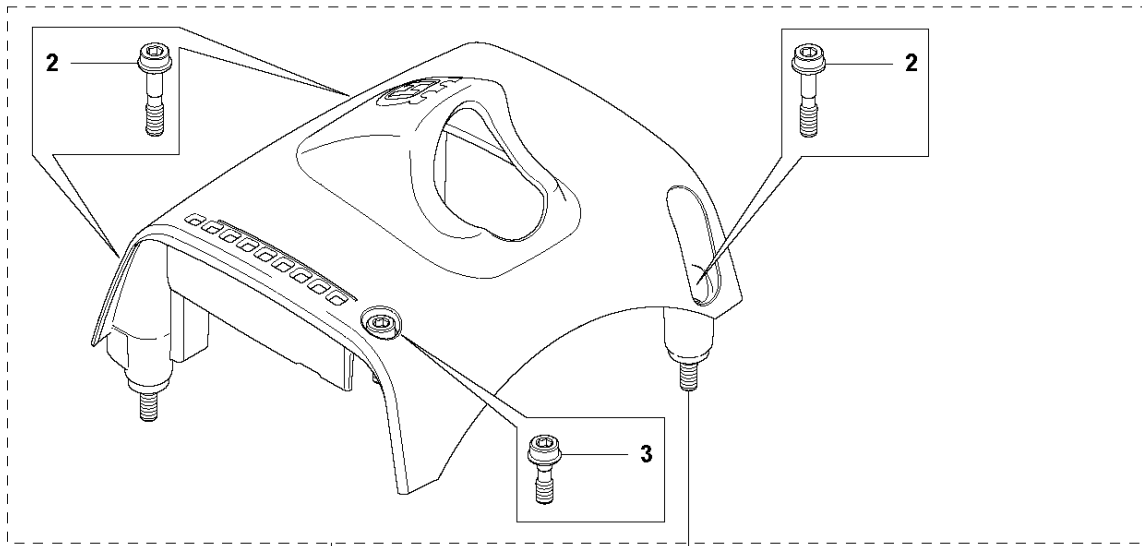
- 7 —
- 7 —
- 7 —
- 7 —

CYLINDER COVER

355 FXT, 2019-07

| Ref | Part No | Description | Remark | QTY KIT |
|-----|--------------|------------------|--------|---------|
| 1 | 544 08 12-02 | CYLINDER COVER | | 1 |
| 2 | 503 20 07-76 | SCREW IHSCFM | | 4 |
| 3 | 544 08 43-01 | HEAT PROTECTOR | | 1 |
| 4 | 503 20 07-76 | SCREW IHSCFM | | 2 |
| 5 | 505 49 26-01 | PROTECTIVE COVER | | 1 |
| 6 | 503 20 07-76 | SCREW IHSCFM | | 2 |
| 7 | 544 24 91-04 | LABEL | Rx | 1 |
| 7 | 544 24 91-01 | LABEL | Fx | 1 |
| 7 | 544 24 91-02 | LABEL | FxT | 1 |
| 7 | 544 24 91-05 | LABEL | FRM | 1 |

G2 355 CYLINDER COVER

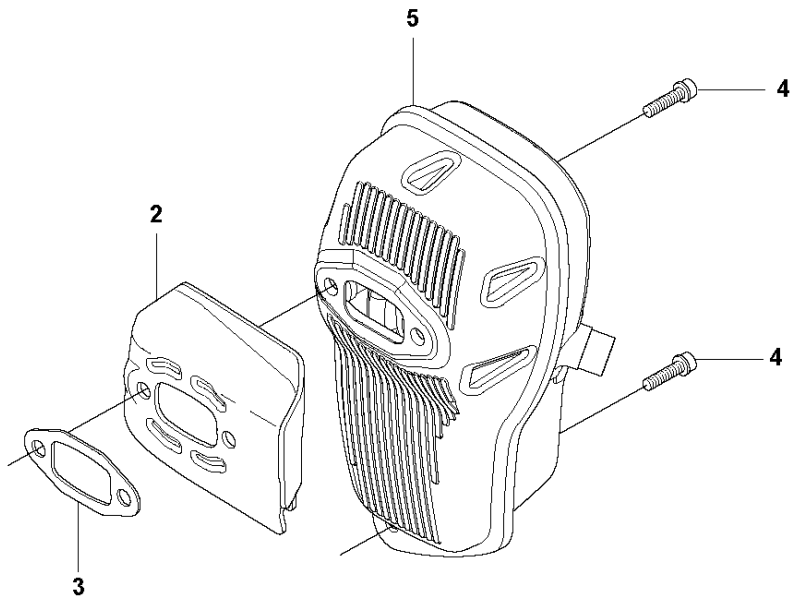
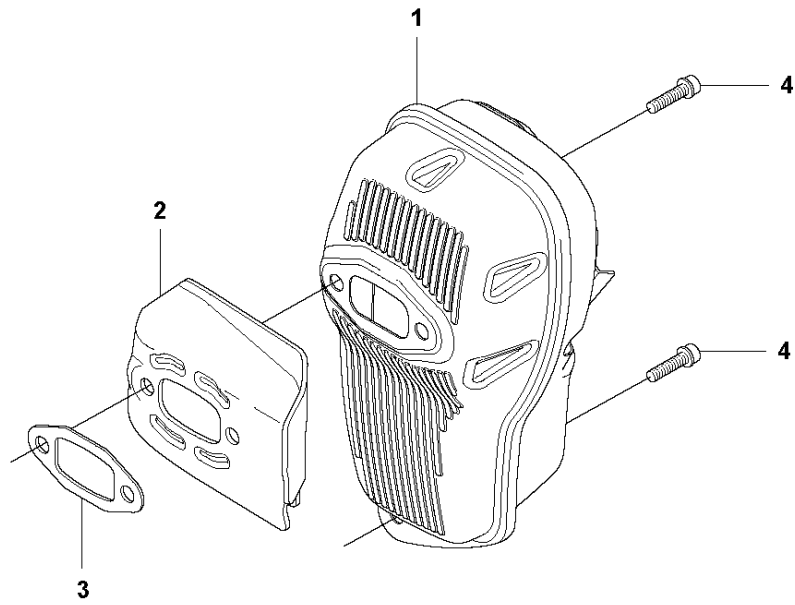


CYLINDER COVER

355 FXT, 2019-07

| Ref | Part No | Description | Remark | QTY KIT | |
|-----|--------------|---------------------|-------------------------------------|---------|---|
| 1 | 575 51 14-01 | CYLINDER COVER ASSY | Spare part incl. Screws Pos. 2-3 | 1 | |
| 2 | 573 99 43-04 | SCREW IHSCFMO | Captive Screw M5 | 3 | 1 |
| 3 | 573 99 43-01 | SCREW IHSCFMO | Captive Screw M5 | 1 | 1 |
| 4 | 544 08 43-01 | HEAT PROTECTOR | | 1 | |
| 5 | 503 20 07-76 | SCREW IHSCFM | | 2 | |
| 6 | 505 49 26-01 | PROTECTIVE COVER | | 1 | |
| 7 | 503 20 07-76 | SCREW IHSCFM | | 2 | |
| 8 | 544 24 91-04 | LABEL | Rx | 1 | |
| 8 | 544 24 91-01 | LABEL | Fx | 1 | |
| 8 | 544 24 91-02 | LABEL | FxT | 1 | |
| 8 | 544 24 91-05 | LABEL | FRM | 1 | |

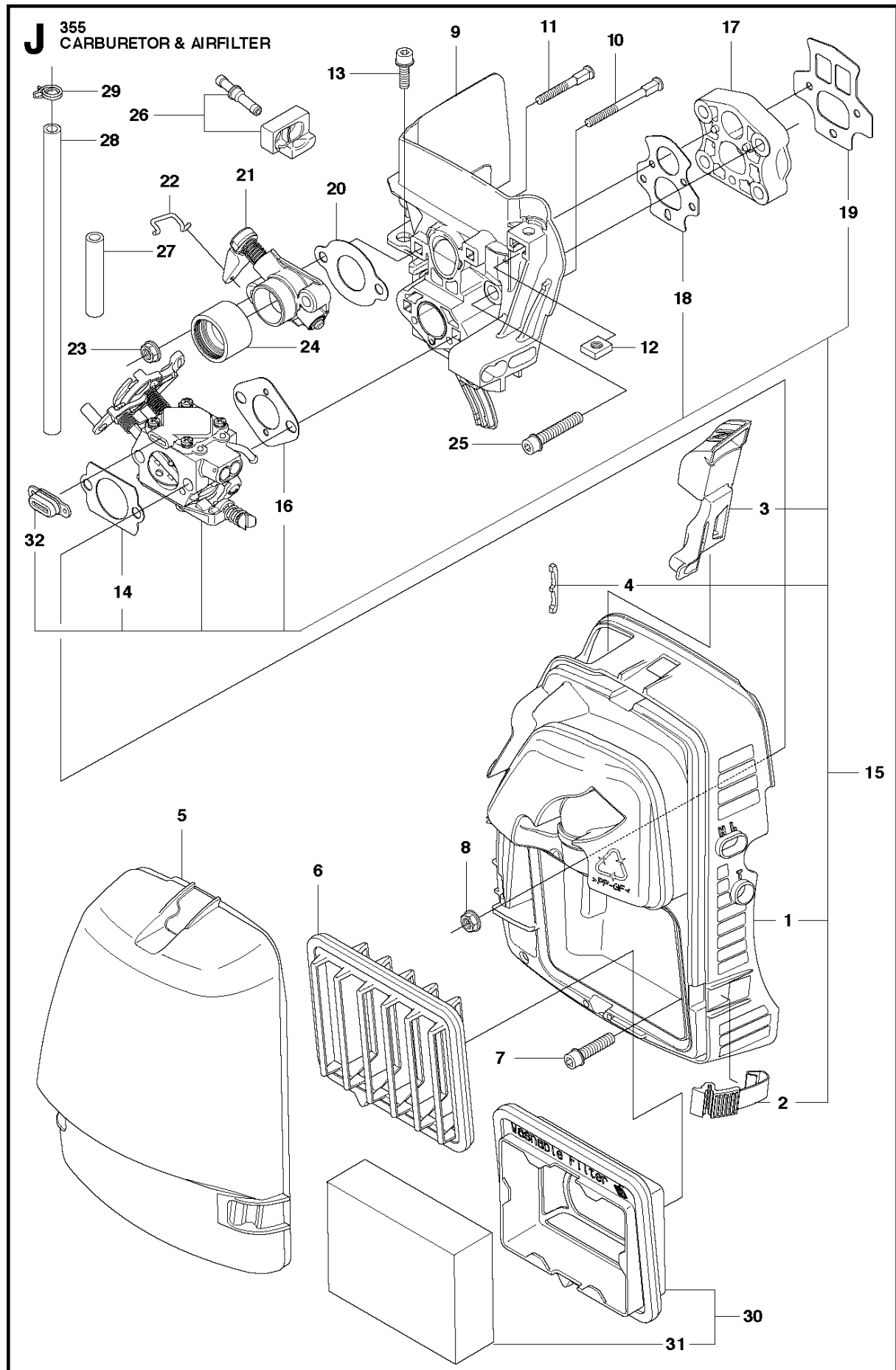
H 355
MUFFLER



MUFFLER

355 FXT, 2019-07

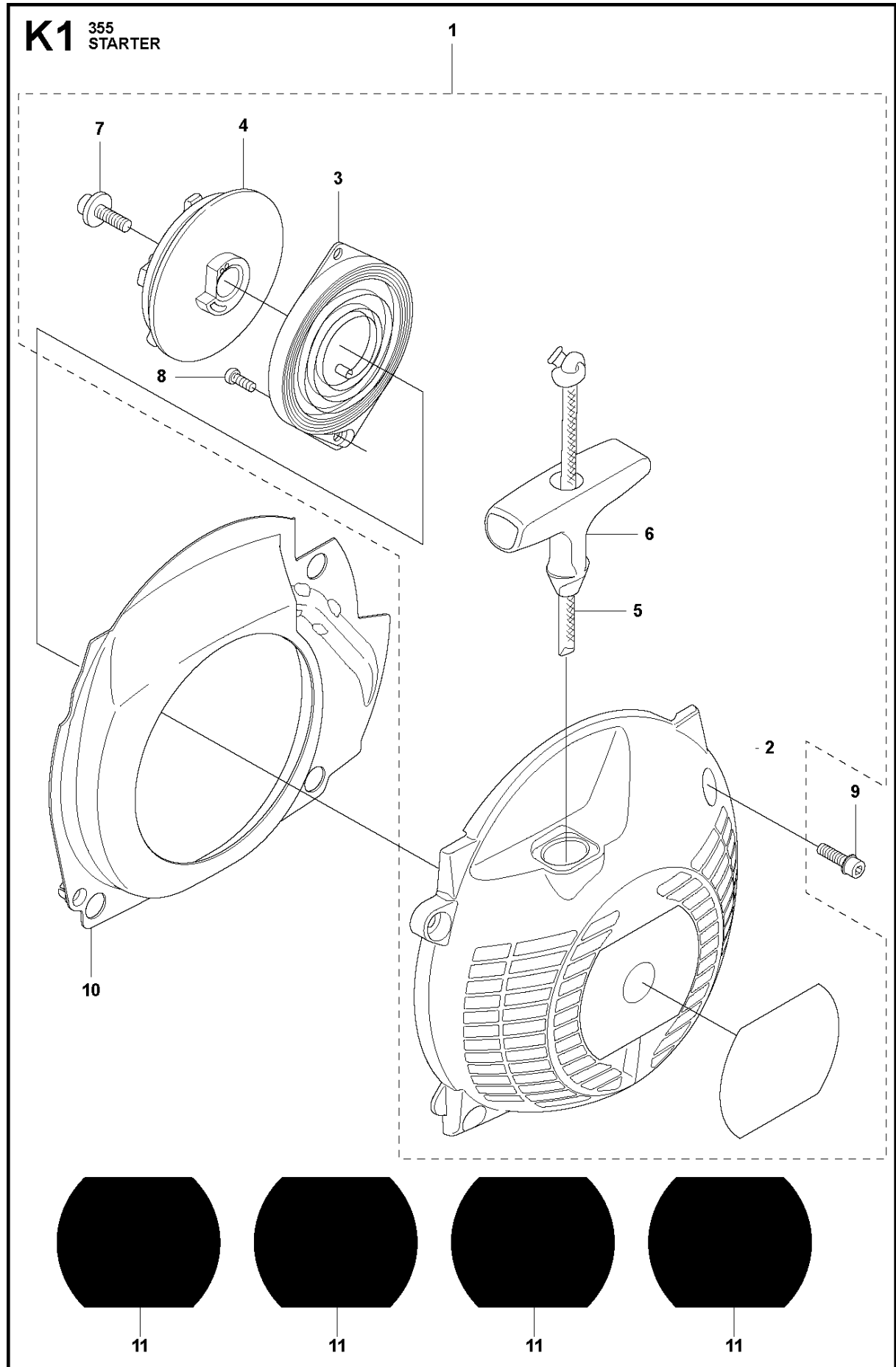
| Ref | Part No | Description | Remark | QTY KIT |
|-----|--------------|--------------|--------|---------|
| 1 | 537 36 03-01 | MUFFLER ASSY | Mesh | 1 |
| 2 | 537 34 57-01 | PLATE | | 1 |
| 3 | 503 82 11-01 | GASKET | | 1 |
| 4 | 503 20 02-20 | SCREW IHSCFM | | 3 |
| 5 | 504 03 79-01 | MUFFLER | Pipe | 1 |



CARBURETOR & AIR FILTER

355 FXT, 2019-07

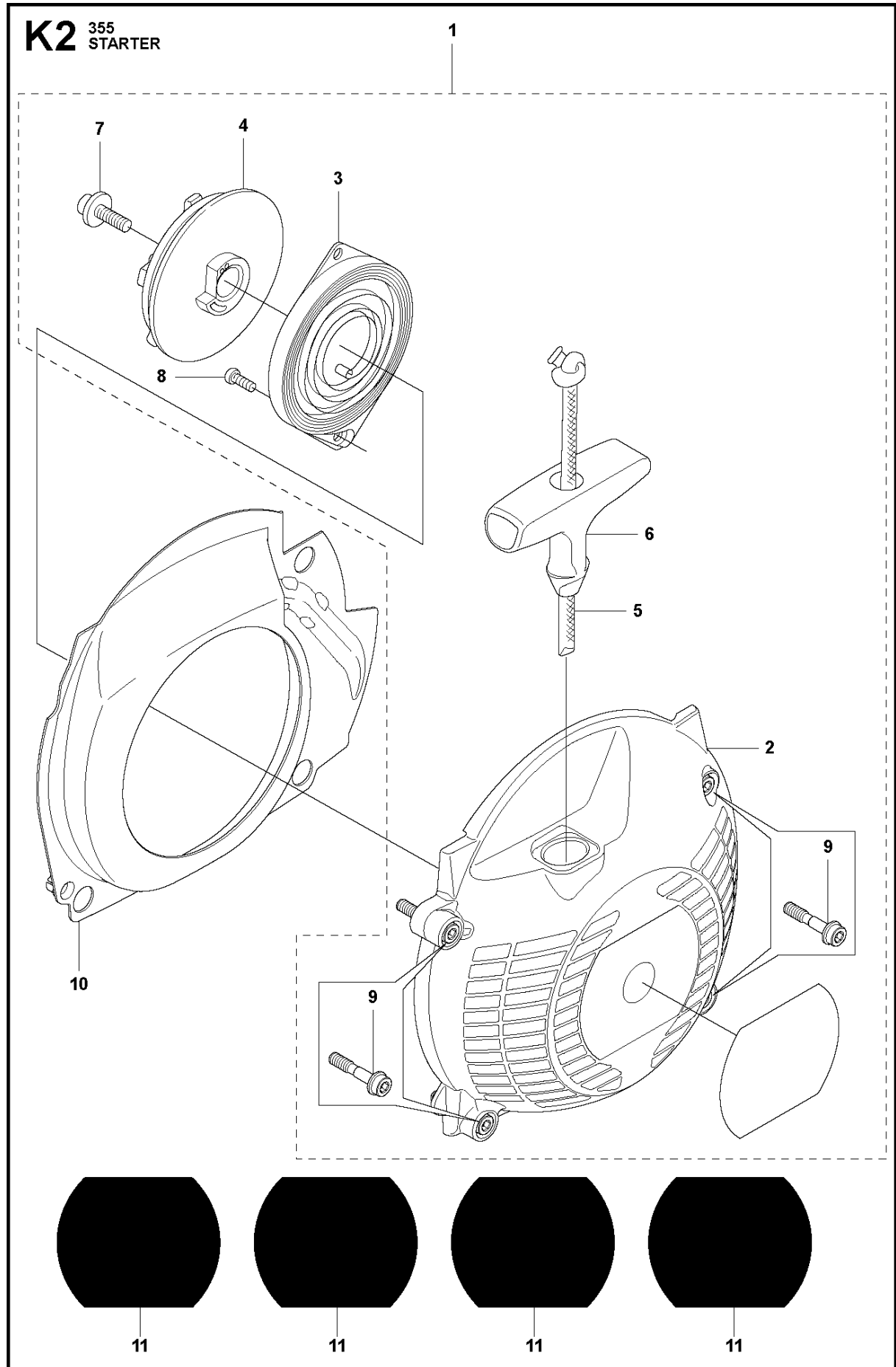
| Ref | Part No | Description | Remark | QTY | KIT |
|-----|--------------|--------------------|--------------------|-----|-------|
| 1 | 537 41 25-03 | FILTER HOLDER | | 1 | 15 |
| 2 | 503 74 01-02 | SNAP LOCKING | | 3 | 1, 15 |
| 3 | 537 35 26-01 | CHOKE CONTROL | | 1 | 1, 15 |
| 4 | 537 38 78-01 | GROMMET | | 1 | 1, 15 |
| 5 | 537 41 01-01 | FILTER COVER | | 1 | |
| 6 | 537 41 08-01 | FILTER | Nylon 80/32 Winter | 1 | |
| 6 | 537 41 08-02 | FILTER | Nylon 44/27 | 1 | |
| 6 | 537 41 08-03 | FILTER | Flock | 1 | |
| 7 | 503 20 07-76 | SCREW IHSCFM | | 2 | |
| 8 | 731 71 14-51 | HEXAGON NUT FLANGE | | 2 | |
| 9 | 537 35 04-01 | INSULATION WALL | | 1 | |
| 10 | 503 98 81-01 | SCREW | | 2 | |
| 11 | 503 98 81-04 | SCREW | | 2 | |
| 12 | 503 22 65-04 | SQUARE NUT | | 1 | |
| 13 | 503 20 07-76 | SCREW IHSCFM | | 1 | |
| 14 | 544 42 99-01 | GASKET | | 1 | 15 |
| 15 | 586 15 40-01 | CARBURETTOR KIT | | 1 | |
| 16 | 510 04 37-01 | GASKET | | 1 | 15 |
| 17 | 544 04 33-01 | MANIFOLD | | 1 | |
| 18 | 544 04 30-01 | GASKET | | 1 | 15 |
| 19 | 544 04 31-01 | GASKET | | 1 | 15 |
| 20 | 544 16 08-01 | GASKET | | 1 | |
| 21 | 544 21 40-01 | VALVE HOUSING | | 1 | |
| 22 | 544 84 78-01 | LINK | | 1 | |
| 23 | 731 71 14-51 | HEXAGON NUT FLANGE | | 2 | |
| 24 | 537 41 05-01 | INLET PIPE | | 1 | |
| 25 | 503 20 07-80 | SCREW IHSCFM | | 4 | |
| 26 | 544 16 15-01 | GROMMET | Kit | 1 | |
| 27 | 537 42 58-02 | SUCTION HOSE | | 1 | |
| 28 | 544 32 49-14 | FUEL HOSE | | 1 | |
| 29 | 544 34 86-01 | HOSE CLAMP | | 1 | |
| 30 | 505 03 47-01 | FILTER | Rx, Incl. Pos. 31 | 1 | |
| 31 | 505 03 10-02 | FILTER | | 1 | 30 |
| 32 | 577 96 93-01 | SEALING PLUG | | 1 | 15 |



STARTER

355 FXT, 2019-07

| Ref | Part No | Description | Remark | QTY | KIT |
|-----|--------------|----------------------|----------------|-----|-----|
| 1 | 537 34 54-01 | STARTER | Incl. Pos. 2-8 | 1 | |
| 2 | 544 09 58-01 | STARTER HOUSING | | 1 | 1 |
| 3 | 502 20 06-01 | SPRING CASSETTE ASSY | | 1 | 1 |
| 4 | 503 95 73-01 | STARTER PULLEY | | 1 | 1 |
| 5 | 505 30 51-25 | STARTER CORD | | 1 | 1 |
| 6 | 537 23 25-01 | STARTER HANDLE | | 1 | 1 |
| 7 | 503 21 69-16 | SCREW IHST | | 1 | 1 |
| 8 | 503 21 29-06 | SCREW CCRPANT | | 2 | 1 |
| 9 | 503 20 07-76 | SCREW IHSCFM | | 4 | |
| 10 | 537 34 56-01 | AIR CONDUCTOR | | 1 | |
| 11 | 544 24 90-04 | LABEL | Rx | 1 | |
| 11 | 544 24 90-01 | LABEL | Fx | 1 | |
| 11 | 544 24 90-02 | LABEL | FxT | 1 | |
| 11 | 544 24 90-05 | LABEL | FRM | 1 | |



STARTER

355 FXT, 2019-07

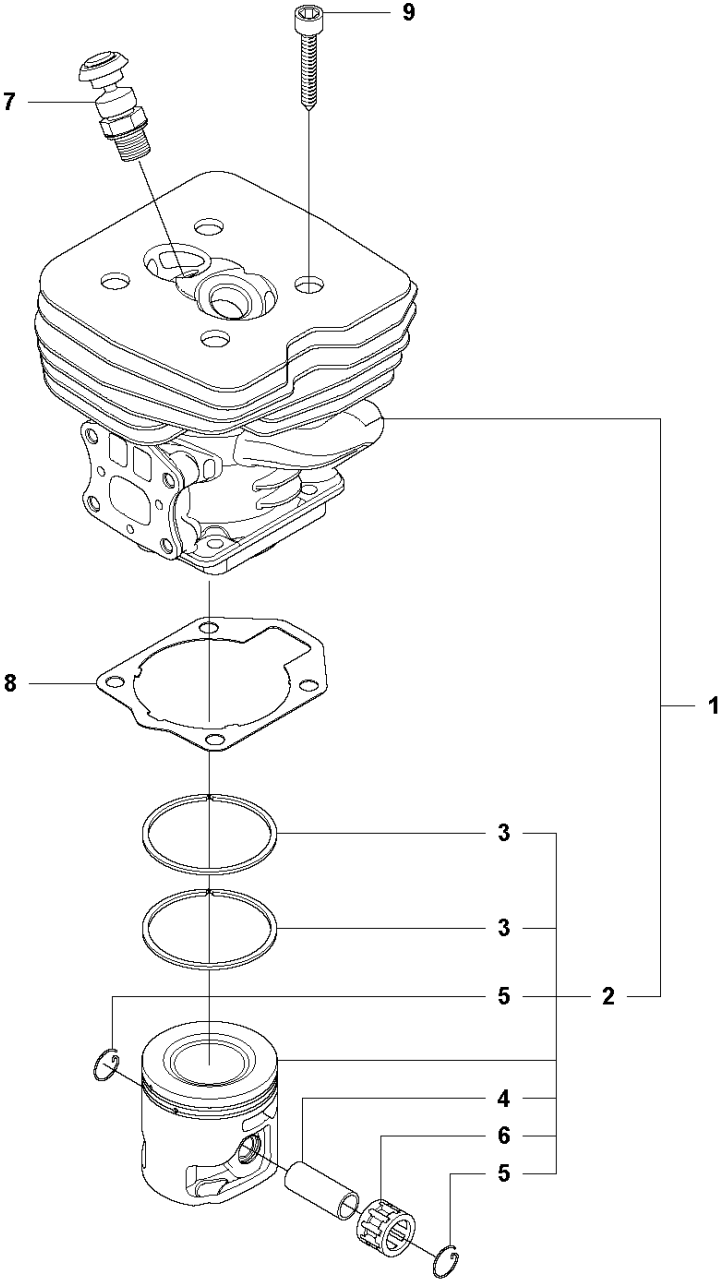
| Ref | Part No | Description | Remark | QTY KIT | |
|-----|--------------|----------------------|-----------------------------------|---------|------|
| 1 | 575 51 17-01 | STARTER ASSY | Incl. Pos. 2-9 | 1 | |
| 2 | 575 51 26-01 | STARTER HOUSING | Spare part incl. Screws Pos. 9 | 1 | 1 |
| 3 | 502 20 06-01 | SPRING CASSETTE ASSY | | 1 | 1 |
| 4 | 503 95 73-01 | STARTER PULLEY | | 1 | 1 |
| 5 | 505 30 51-25 | STARTER CORD | | 1 | 1 |
| 6 | 537 23 25-01 | STARTER HANDLE | | 1 | 1 |
| 7 | 503 21 69-16 | SCREW IH SCT | | 1 | 1 |
| 8 | 503 21 29-06 | SCREW CCRPANT | | 2 | 1 |
| 9 | 573 99 43-04 | SCREW IHSCFMO | Captive Screw M5 | 4 | 1, 2 |
| 10 | 537 34 56-01 | AIR CONDUCTOR | | 1 | |
| 11 | 544 24 90-04 | LABEL | Rx | 1 | |
| 11 | 544 24 90-01 | LABEL | Fx | 1 | |
| 11 | 544 24 90-02 | LABEL | FxT | 1 | |
| 11 | 544 24 90-05 | LABEL | FRM | 1 | |

IGNITION SYSTEM

355 FXT, 2019-07

| Ref | Part No | Description | Remark | QTY | KIT |
|-----|--------------|------------------|-----------------------------|-----|-----|
| 1 | 504 70 87-01 | IGNITION MODULE | Pos. 2-3 | 1 | |
| 2 | 537 41 22-01 | SPARK PLUG CAP | | 1 | 1 |
| 3 | 501 48 56-01 | CONTACT SPRING | | 1 | 1 |
| 4 | 503 20 25-16 | SCREW IHSCM | | 2 | |
| 5 | 503 23 51-11 | SPARK PLUG | NGK BPMR7A | 1 | |
| 6 | 537 24 05-01 | FLYWHEEL ASSY | Rx, Fx, FRM Incl. Pos. 7-10 | 1 | |
| 6 | 537 24 05-02 | FLYWHEEL ASSY | FxT Incl. Pos. 7-10 | 1 | |
| 7 | 503 81 24-01 | STARTER PAWL | | 2 | 6 |
| 8 | 503 81 29-01 | SPRING | | 2 | 6 |
| 9 | 501 81 99-03 | SCREW | | 2 | 6 |
| 10 | 503 23 00-42 | WASHER | | 2 | 6 |
| 11 | 503 22 04-01 | NUT | | 1 | |
| 12 | 537 25 63-02 | GENERATOR STATOR | FxT | 1 | |
| 13 | 544 44 43-01 | SCREW IH SCT | FxT | 2 | |

M 355
CYLINDER & PISTON

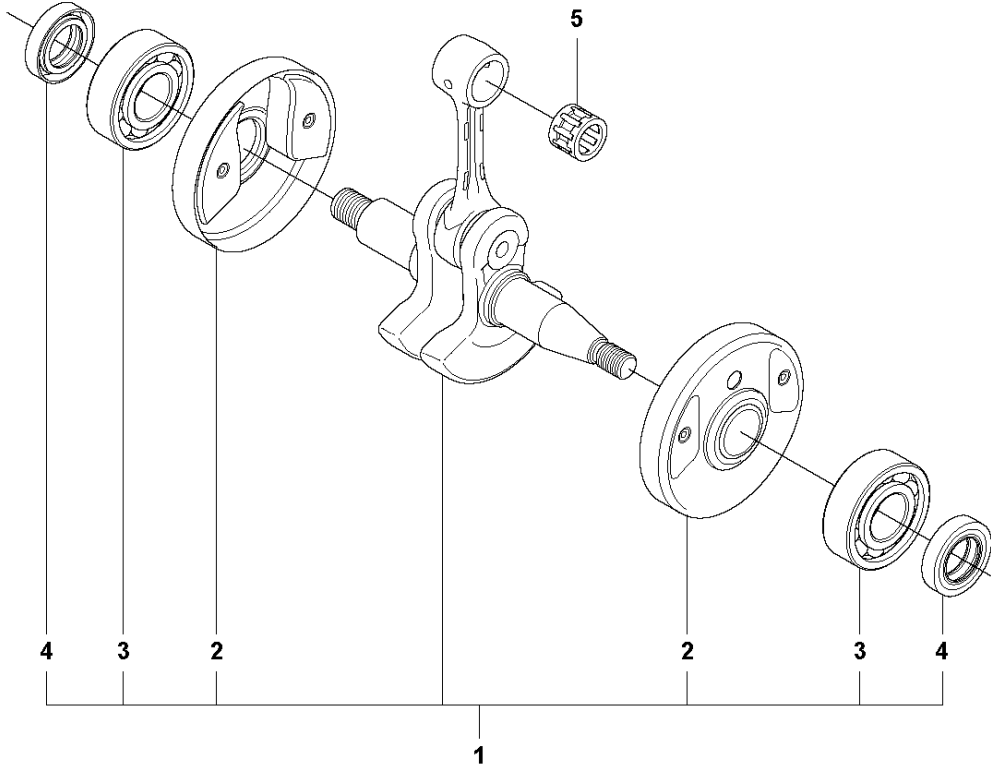


CYLINDER PISTON

355 FXT, 2019-07

| Ref | Part No | Description | Remark | QTY | KIT |
|-----|--------------|---------------------|----------------|-----|------|
| 1 | 544 98 60-02 | CYLINDER ASSY | Incl. Pos. 2-6 | 1 | |
| 2 | 576 95 48-01 | PISTON ASSY | Incl. Pos. 3-6 | 1 | 1 |
| 3 | 502 65 39-01 | PISTON RING | | 2 | 1, 2 |
| 4 | 505 49 57-01 | PISTON PIN | | 1 | 1, 2 |
| 5 | 505 49 58-01 | CIRCLIP | | 2 | 1, 2 |
| 6 | 503 25 63-01 | NEEDLE BEARING | | 1 | 1, 2 |
| 7 | 544 20 00-01 | DECOMPRESSION VALVE | | 1 | |
| 8 | 537 34 68-01 | GASKET | | 1 | |
| 9 | 725 53 33-55 | SCREW IHSCM | | 4 | |

N 355
CRANK SHAFT

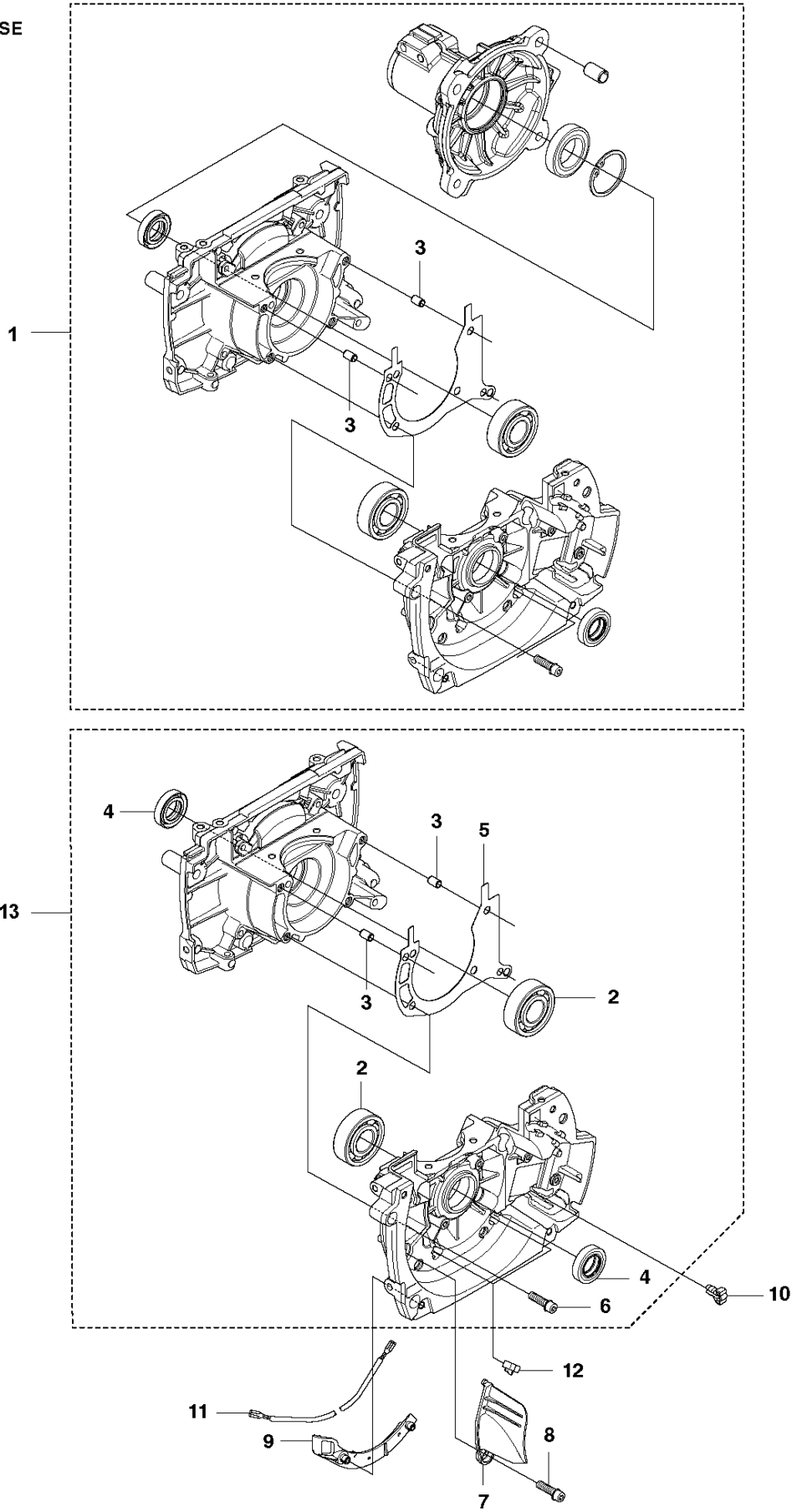


CRANKSHAFT

355 FXT, 2019-07

| Ref | Part No | Description | Remark | QTY | KIT |
|-----|--------------|----------------|----------------|-----|-----|
| 1 | 544 95 26-02 | CRANKSHAFT | Incl. Pos. 2-4 | 1 | |
| 2 | 544 01 01-01 | CUP | | 2 | 1 |
| 3 | 503 25 08-01 | BEARING | | 2 | 1 |
| 4 | 503 26 02-04 | SEALING RING | | 2 | 1 |
| 5 | 501 45 16-01 | NEEDLE BEARING | | 1 | |

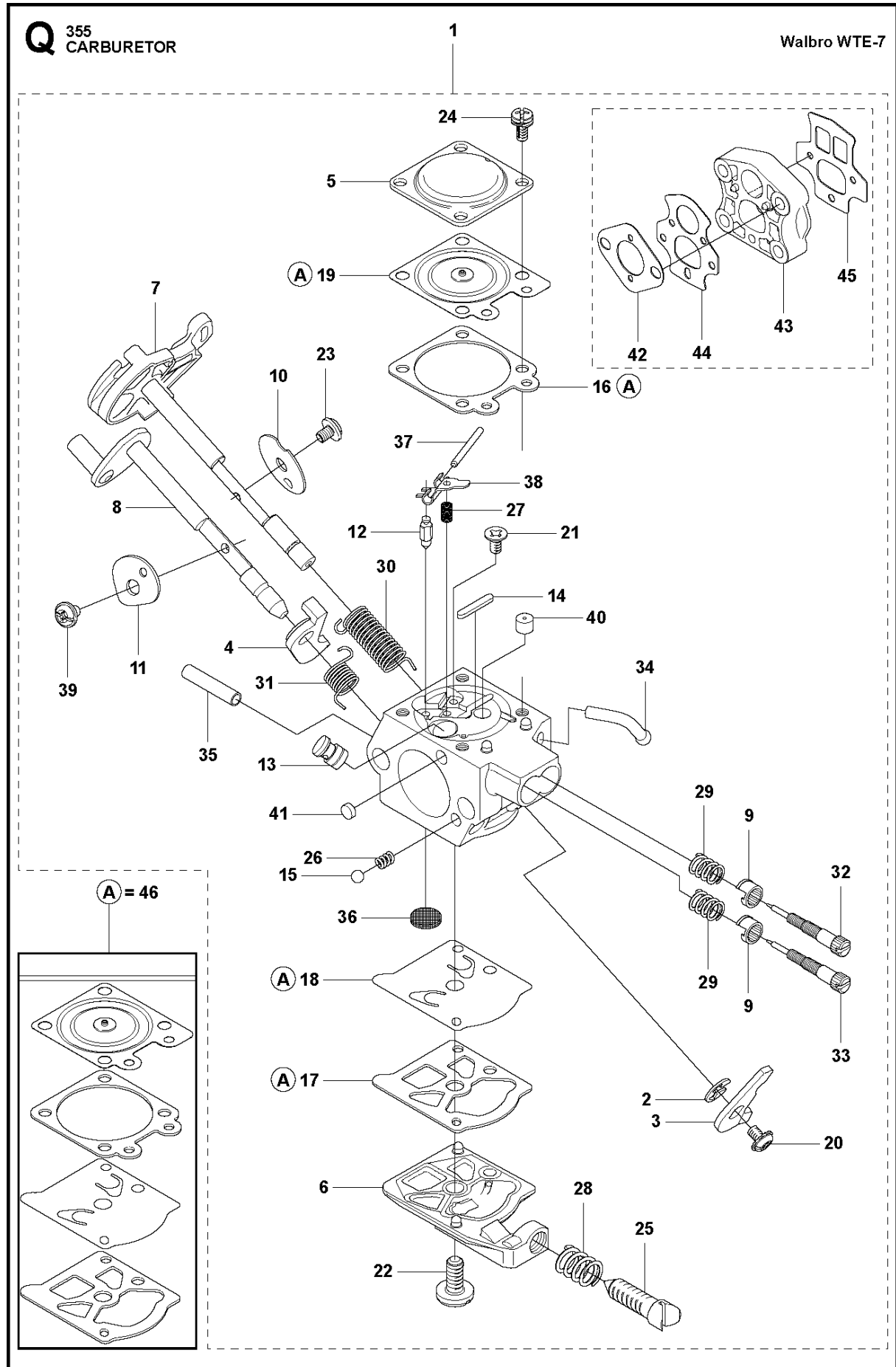
P 355
CRANKCASE



CRANKCASE

355 FXT, 2019-07

| Ref | Part No | Description | Remark | QTY | KIT |
|-----|--------------|---------------------|-------------------------|-----|-------|
| 1 | 503 91 15-01 | CRANKCASE ASSY | up to s/n - 20191600180 | 1 | |
| 2 | 503 25 08-01 | BEARING | | 2 | 13 |
| 3 | 593 80 60-01 | GUIDE BUSHING | from s/n 20175100007 - | 2 | 1, 13 |
| 3 | 720 13 07-10 | PARALLEL PIN | up to s/n - 20175100006 | 2 | 1, 13 |
| 4 | 503 26 02-04 | SEALING RING | | 2 | 13 |
| 5 | 590 18 23-01 | GASKET | from s/n 20175100007 - | 1 | 13 |
| 5 | 537 34 67-01 | GASKET | up to s/n - 20175100006 | 1 | 13 |
| 6 | 503 20 02-30 | SCREW IHSCFM | | 5 | 13 |
| 7 | 544 09 45-01 | NOZZLE | | 1 | |
| 8 | 503 20 25-16 | SCREW IHSCM | | 1 | |
| 9 | 544 09 44-01 | CABLE HOLDER | | 1 | |
| 10 | 540 07 01-01 | RETAINER | | 1 | |
| 11 | 544 33 18-01 | SHORT CIRCUIT CABLE | | 1 | |
| 12 | 501 04 44-01 | RETAINER | | 2 | |
| 13 | 544 95 25-03 | CRANKCASE | from s/n 20191600181 | 1 | |



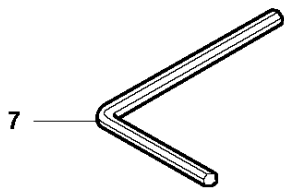
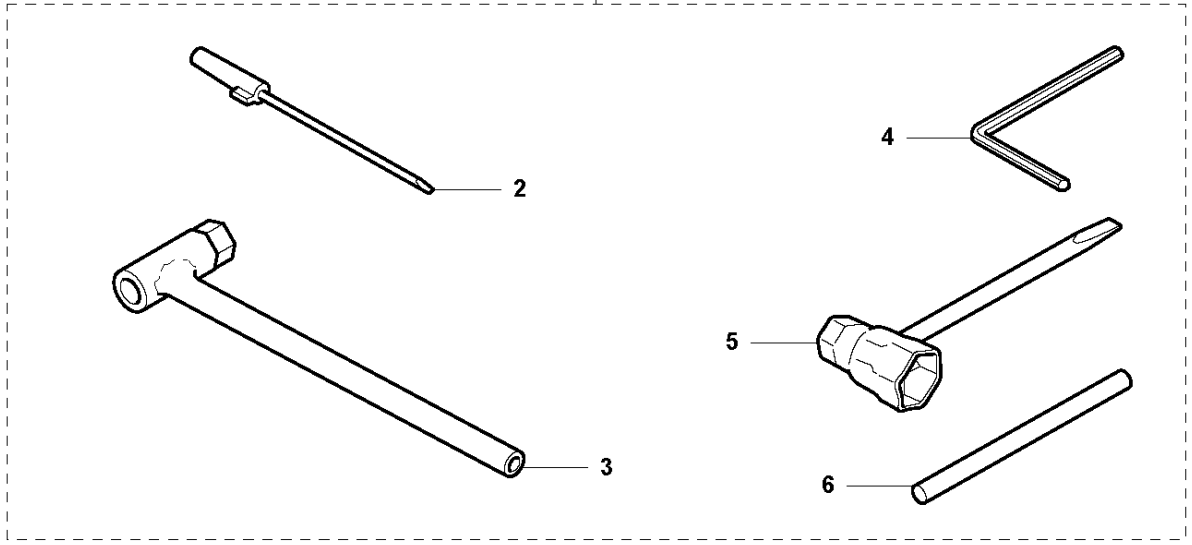
CARBURETOR

355 FXT, 2019-07

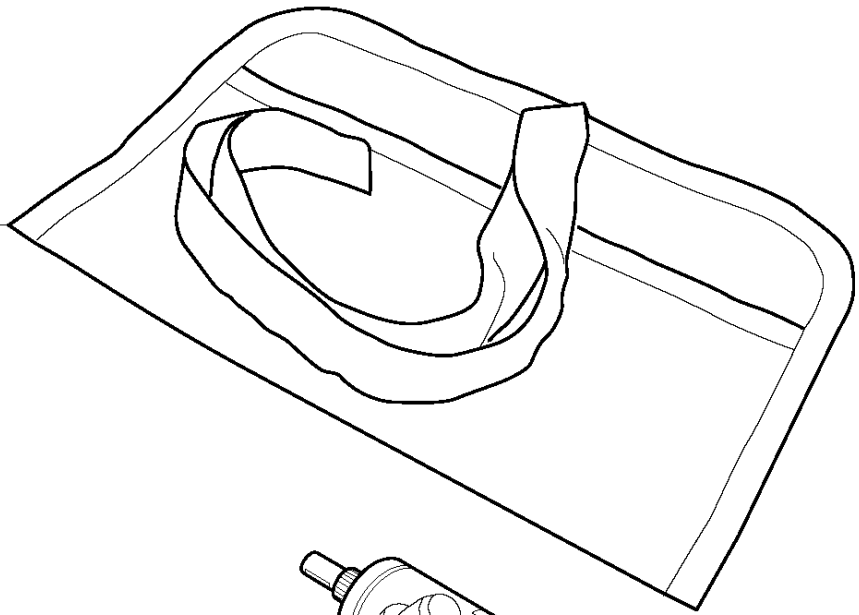
| Ref | Part No | Description | Remark | QTY | KIT |
|-----|--------------|------------------|---|-----|-------|
| 1 | 510 24 20-01 | CARBURETTOR | Walbro WTE7 Incl. Pos. 2-45 | 1 | |
| 2 | 505 31 67-36 | RING | | 1 | 1 |
| 3 | 544 97 07-01 | LEVER | | 1 | 1 |
| 4 | 544 17 77-01 | LEVER | | 1 | 1 |
| 5 | 505 31 67-54 | LOCK STYRMEMBRAN | | 1 | 1 |
| 6 | 503 58 43-01 | COVER | | 1 | 1 |
| 7 | 544 04 36-01 | SHAFT | | 1 | 1 |
| 8 | 544 04 40-01 | SHAFT | | 1 | 1 |
| 9 | 544 97 08-01 | LIMITER CAP | | 2 | 1 |
| 10 | 505 42 71-01 | VALVE | | 1 | 1 |
| 11 | 537 10 96-01 | VALVE | | 1 | 1 |
| 12 | 503 56 34-01 | NEEDLE VALVE | | 1 | 1 |
| 13 | 502 84 68-01 | NOZZLE ASSY | | 1 | 1 |
| 14 | 502 84 69-01 | PLUG | | 1 | 1 |
| 15 | 501 46 85-01 | BALL | | 1 | 1 |
| 16 | 504 35 09-06 | GASKET | | 1 | 1, 42 |
| 17 | 504 13 09-06 | GASKET | | 1 | 1, 42 |
| 18 | 502 21 36-01 | DIAPHRAGM PUMP | | 1 | 1, 42 |
| 19 | 502 84 70-01 | DIAPHRAGM | | 1 | 1, 42 |
| 20 | 501 46 87-01 | SCREW | | 1 | 1 |
| 21 | 502 84 71-01 | SCREW | | 1 | 1 |
| 22 | 501 46 69-01 | SCREW | | 1 | 1 |
| 23 | 537 00 34-01 | SCREW | | 1 | 1 |
| 24 | 503 10 87-01 | SCREW | | 4 | 1 |
| 25 | 537 40 82-01 | SCREW | | 1 | 1 |
| 26 | 501 46 84-01 | SPRING | | 1 | 1 |
| 27 | 501 79 59-01 | SPRING | | 1 | 1 |
| 28 | 501 66 78-01 | SPRING | | 1 | 1 |
| 29 | 544 97 10-01 | SPRING | | 2 | 1 |
| 30 | 544 17 76-01 | SPRING | | 1 | 1 |
| 31 | 544 97 11-01 | SPRING | | 1 | 1 |
| 32 | 502 84 72-01 | NEEDLE | | 1 | 1 |
| 33 | 502 84 73-01 | NEEDLE | | 1 | 1 |
| 34 | 544 97 15-01 | FITTING | | 1 | 1 |
| 35 | 544 97 16-01 | FITTING | | 1 | 1 |
| 36 | 501 66 61-01 | SCREEN | | 1 | 1 |
| 37 | 505 52 01-25 | PIN | | 1 | 1 |
| 38 | 502 84 74-01 | LEVER | | 1 | 1 |
| 39 | 544 11 15-01 | SCREW | | 1 | 1 |
| 40 | 505 42 69-01 | JET | | 1 | 1 |
| 41 | 503 57 43-01 | PLUG | | 1 | 1 |
| 42 | TBD | TBD | Delivered with 510 24 20-01. Separate spare part, see page J. | 1 | 1 |
| 43 | TBD | TBD | Delivered with 510 24 20-01. Separate spare part, see page J. | 1 | 1 |
| 44 | TBD | TBD | Delivered with 510 24 20-01. Separate spare part, see page J. | 1 | 1 |
| 45 | TBD | TBD | Delivered with 510 24 20-01. Separate spare part, see page J. | 1 | 1 |
| 46 | 515 99 96-01 | KIT | | 1 | |

R1 ³⁵⁵
ACCESSORIES

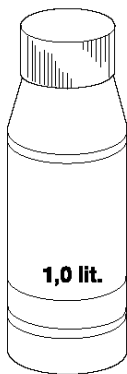
1



8

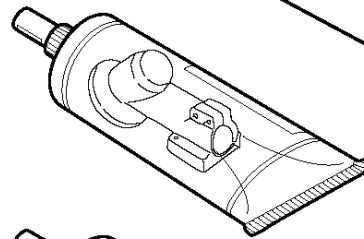


Oil Airfilter
Öl Luftfilter
Aceite Filtro Air
Huile Filtera aire
Olja Luftfilter

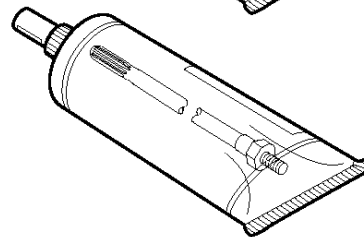


11

1,0 lit.



9



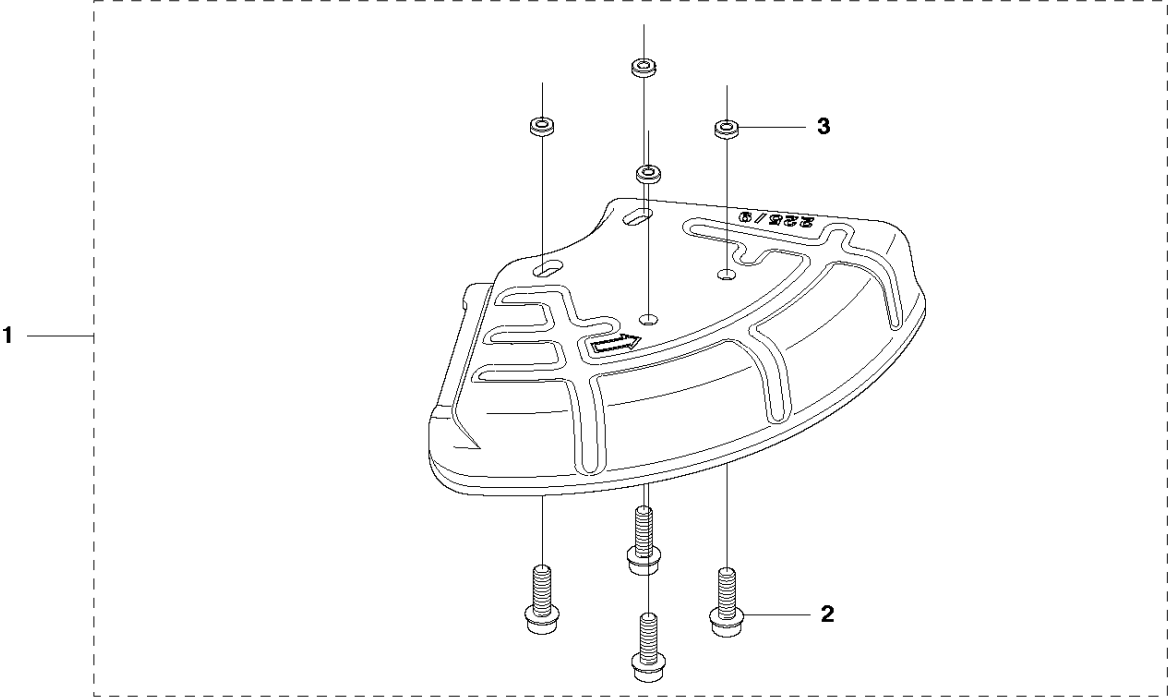
10

ACCESSORIES

355 FXT, 2019-07

| Ref | Part No | Description | Remark | QTY | KIT |
|-----|--------------|--------------------|------------|-----|-----|
| 1 | 502 21 60-15 | ACCESSORY BAG | Pos. 2-6 | 1 | |
| 2 | 501 60 02-03 | SCREWDRIVER | | 1 | 1 |
| 3 | 502 11 46-03 | KEY | | 1 | 1 |
| 4 | 502 21 58-01 | WRENCH | 4mm | 1 | 1 |
| 5 | 501 69 17-01 | COMBINATION WRENCH | | 1 | 1 |
| 6 | 502 28 59-01 | STOP | | 1 | 1 |
| 7 | 503 55 86-05 | SPANNER | 5mm | 1 | |
| 8 | 501 19 22-01 | TOOL | | 1 | |
| 9 | 503 97 64-01 | GREASE | | 1 | |
| 10 | 503 80 17-01 | GREASE | | 1 | |
| 11 | 531 00 92-48 | FILTER OIL | Filter oil | 1 | |

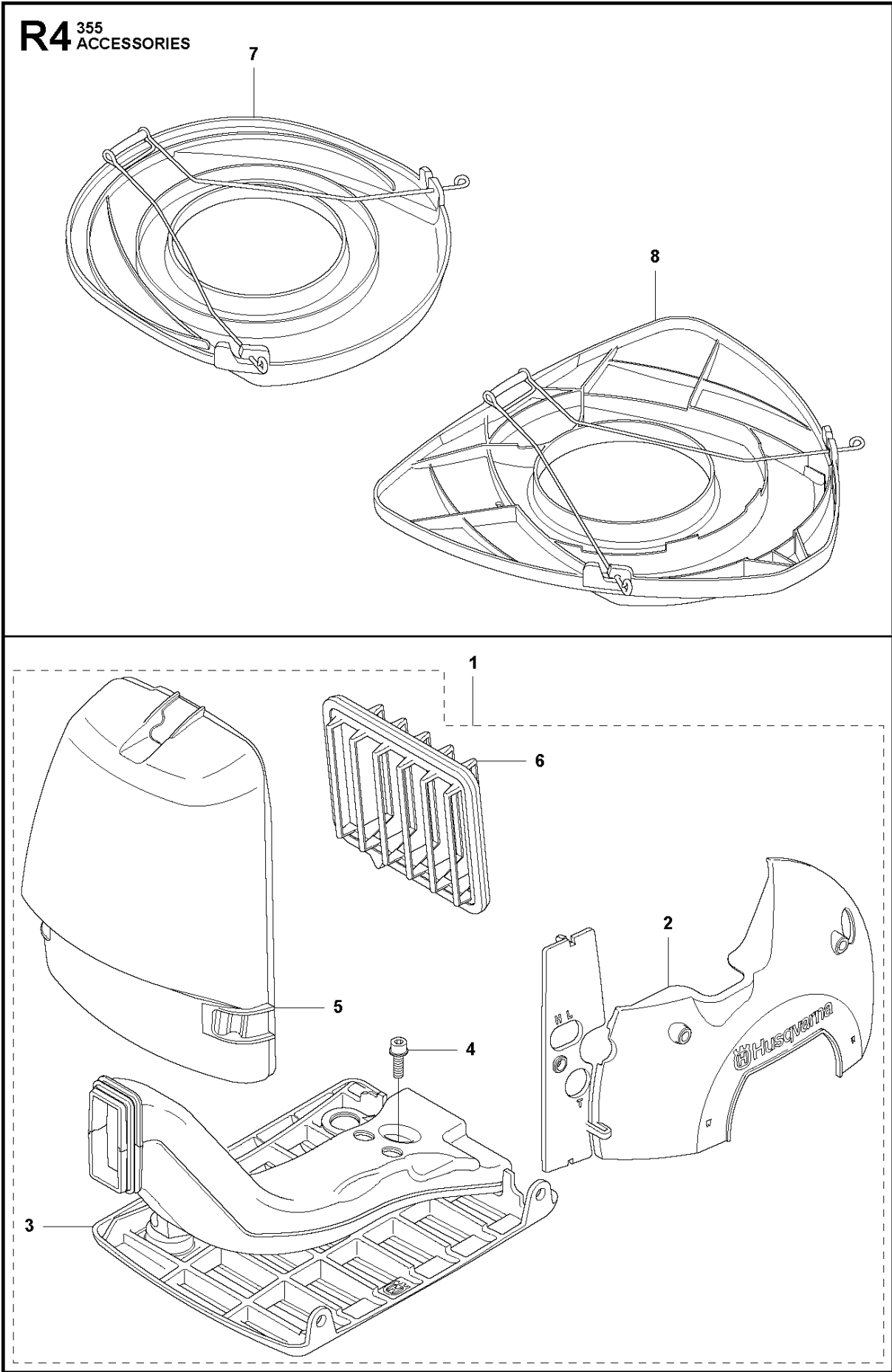
R3 355
ACCESSORIES



ACCESSORIES

355 FXT, 2019-07

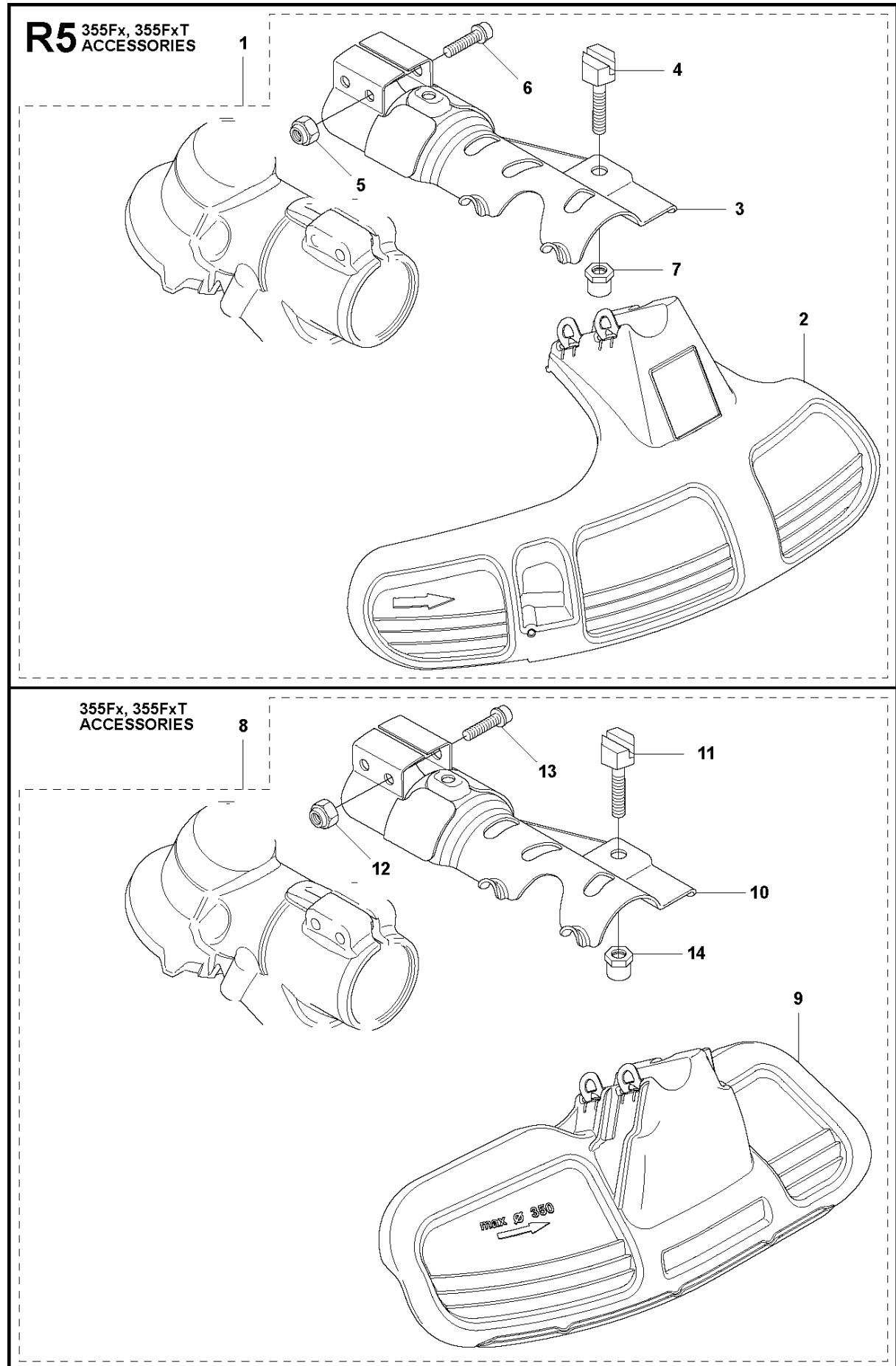
| Ref | Part No | Description | Remark | QTY | KIT |
|-----|--------------|-----------------|------------------------|-----|-----|
| 1 | 574 50 67-02 | SAW BLADE GUARD | Fx, FxT Incl. Pos. 2-3 | 1 | |
| 2 | 503 20 03-16 | SCREW IHSCFM | | 4 | 1 |
| 3 | 574 03 95-01 | LOCK NUT | | 4 | 1 |



ACCESSORIES

355 FXT, 2019-07

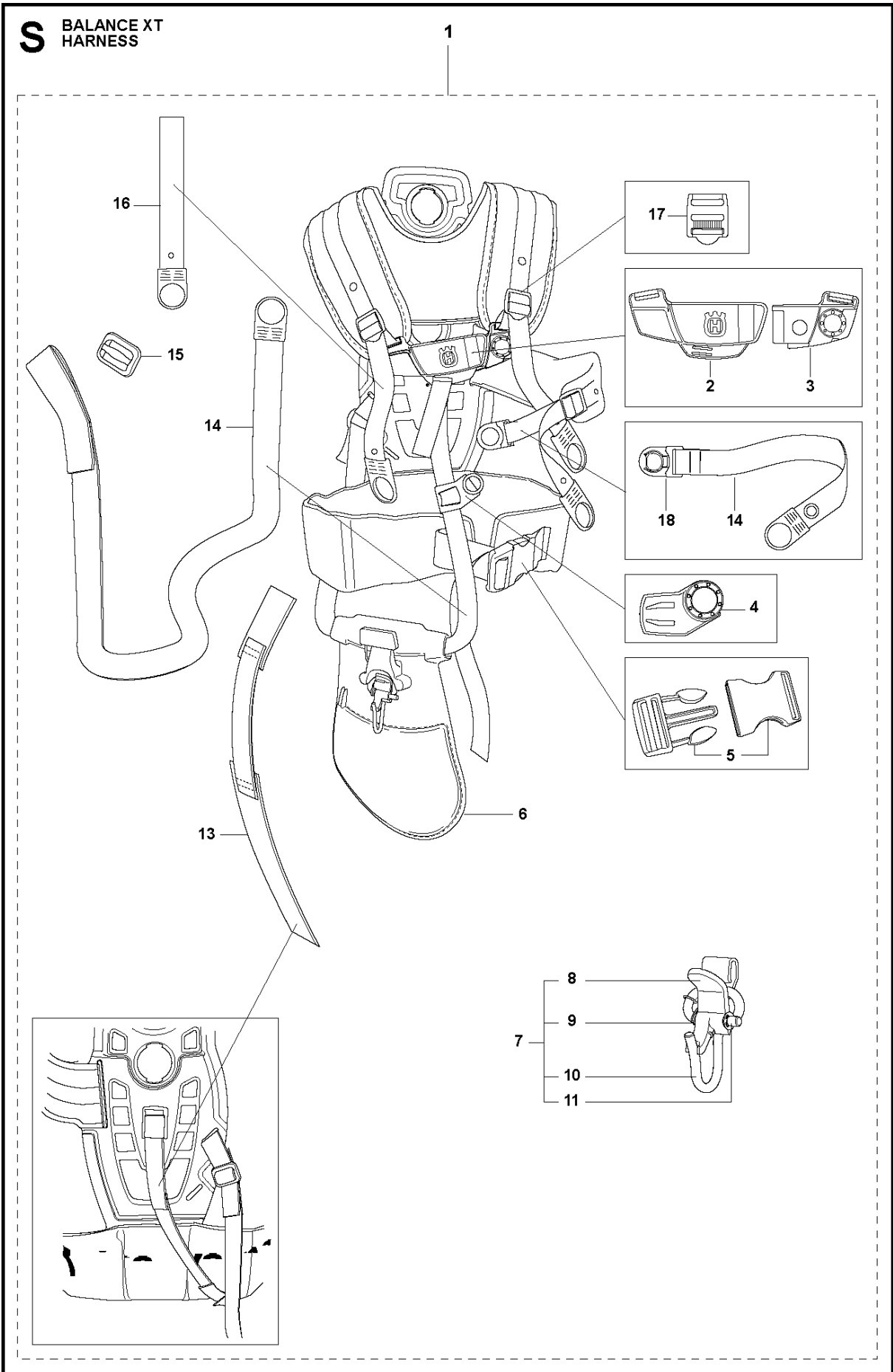
| Ref | Part No | Description | Remark | QTY | KIT |
|-----|--------------|-----------------|---------------------------|-----|-----|
| 1 | 502 43 58-01 | WINTER KIT | Winter kit Incl. Pos. 2-6 | 1 | |
| 2 | 544 95 28-01 | WINTER COVER | | 1 | 1 |
| 3 | 537 35 10-01 | AIR DUCT | | 1 | 1 |
| 4 | 503 21 07-16 | SCREW IHSCT | | 1 | 1 |
| 5 | 544 87 02-01 | COVER | | 1 | 1 |
| 6 | 537 41 08-01 | FILTER | | 1 | 1 |
| 7 | 537 31 29-01 | TRANSPORT GUARD | | 1 | |
| 8 | 544 35 91-01 | TRANSPORT GUARD | | 1 | |



ACCESSORIES

355 FXT, 2019-07

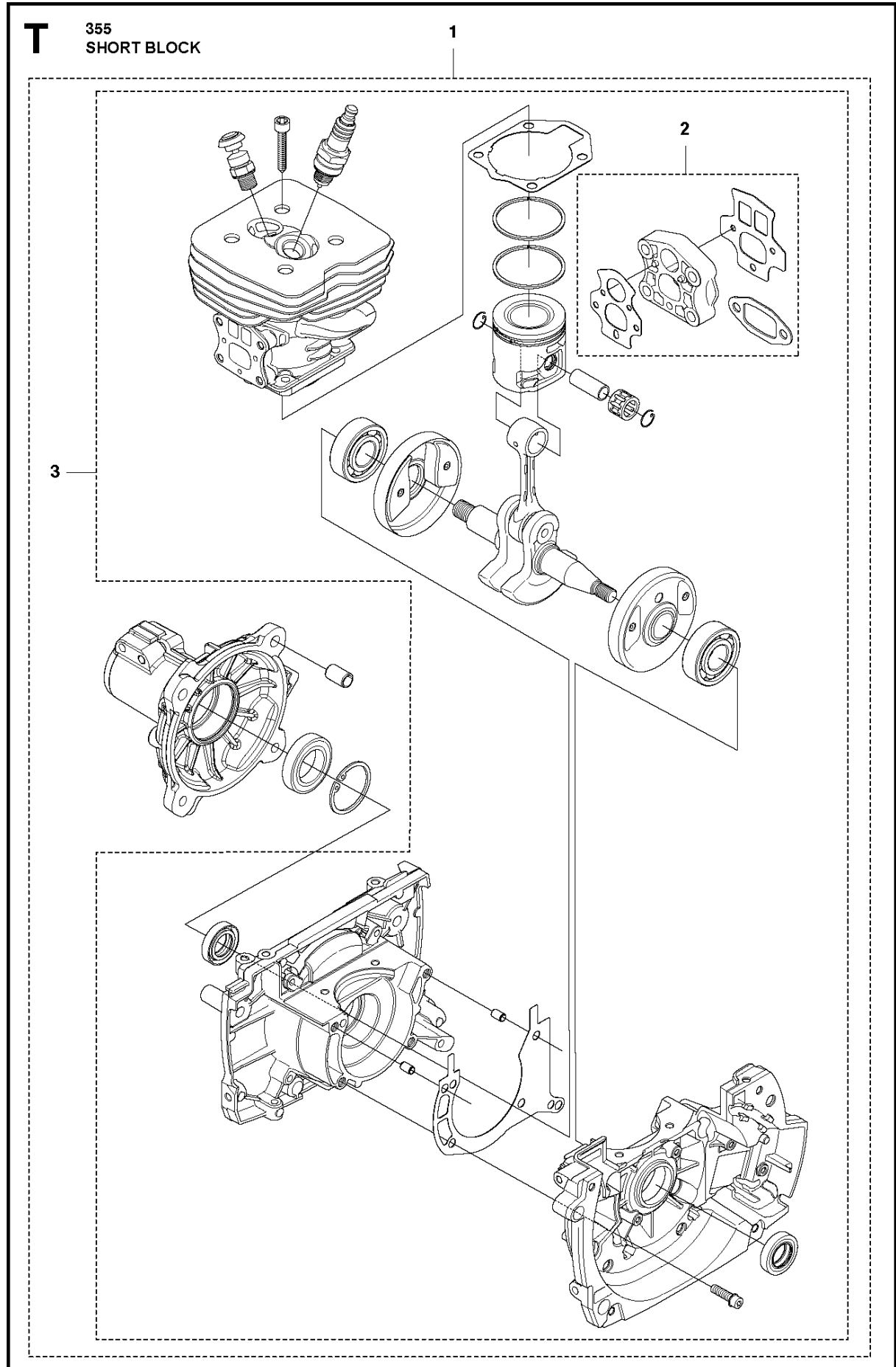
| Ref | Part No | Description | Remark | QTY KIT | |
|-----|--------------|-------------------|-----------------|---------|---|
| 1 | 502 46 50-01 | TRIMMER GUARD | Incl. Pos. 2-7 | 1 | |
| 2 | 544 10 74-02 | TRIMMER GUARD | | 1 | 1 |
| 3 | 544 89 57-01 | ATTACHMENT PLATE | | 1 | 1 |
| 4 | 537 18 95-01 | SCREW | | 1 | 1 |
| 5 | 732 21 16-01 | LOCK NUT | | 2 | 1 |
| 6 | 725 53 76-55 | SCREW IHSCM | | 2 | 1 |
| 7 | 505 43 67-01 | SPACING SLEEVE | | 1 | 1 |
| 8 | 502 46 49-01 | GRASS BLADE GUARD | Incl. Pos. 9-14 | 1 | |
| 9 | 544 16 03-01 | TRIMMER GUARD | | 1 | 8 |
| 10 | 544 89 57-01 | ATTACHMENT PLATE | | 1 | 8 |
| 11 | 537 18 95-01 | SCREW | | 1 | 8 |
| 12 | 732 21 16-01 | LOCK NUT | | 2 | 8 |
| 13 | 725 53 76-55 | SCREW IHSCM | | 2 | 8 |
| 14 | 505 43 67-01 | SPACING SLEEVE | | 1 | 8 |



HARNESSES

355 FXT, 2019-07

| Ref | Part No | Description | Remark | QTY | KIT |
|-----|--------------|--------------|-----------------|-----|-----|
| 1 | 505 20 42-01 | HARNESSES | Incl. Pos. 2-18 | 1 | |
| 2 | 504 54 52-01 | BUCKLE | | 1 | 1 |
| 3 | 504 54 51-01 | BUCKLE | | 1 | 1 |
| 4 | 504 63 75-01 | SNAP LOCKING | | 1 | 1 |
| 5 | 537 33 15-01 | BUCKLE | | 1 | 1 |
| 6 | 544 90 17-01 | HIP PAD | | 1 | 1 |
| 7 | 544 96 07-02 | WELT HOOK | Incl. Pos. 8-11 | 1 | 1 |
| 8 | 502 02 30-02 | LOCK | | 1 | 1,7 |
| 9 | 502 02 38-01 | SPRING | | 1 | 1,7 |
| 10 | 502 02 29-02 | HOOK | | 1 | 1,7 |
| 11 | 735 31 09-20 | E-CLIP | | 1 | 1,7 |
| 13 | 537 15 35-01 | STRAP | | 1 | 1 |
| 14 | 503 99 61-04 | BAND | | 1 | 1 |
| 15 | 537 11 35-01 | RETAINER | | 1 | 1 |
| 16 | 503 99 61-07 | BAND | | 2 | 1 |
| 17 | 505 44 46-01 | BUCKLE | | 3 | 1 |
| 18 | 504 63 74-01 | SNAP LOCKING | | 1 | 1 |



SHORT BLOCK

355 FXT, 2019-07

| Ref | Part No | Description | Remark | QTY | KIT |
|-----|--------------|-------------|-------------------------|-----|------|
| 1 | 576 79 88-03 | SHORT BLOCK | up to s/n - 20191600180 | 1 | |
| 2 | 576 79 87-01 | GASKET KIT | | 1 | 1, 3 |
| 3 | 576 79 88-02 | SHORT BLOCK | from s/n 20191600181 | 1 | |

Illustrated Parts List - IPL Update



Product Name(s)

355FXT

Description of change

New solution and alternative because spring system between crankcase and clutch cover breaks.

Comments

Introduced from

| Serial number / Date | Remark |
|----------------------|------------|
| 2019-07 | 5449525-02 |
| 2019-07 | 5024935-06 |
| 2019-07 | 5767988-01 |
| | |

IPL updates

| Page title | Ref. no | New part no | Name | Excl. part no. | Remark |
|-------------|---------|-------------|--------------------------|----------------|---|
| CRANKCASE | 1 | 503911501 | Crankcase assy | 544952502 | Up to s/n - 20191600180 |
| CRANKCASE | 13 | 544952503 | crankcase | 544952502 | From s/n 20191600181 |
| CLUTCH | 1 | 597519202 | Clutch cover assy | 502493506 | up to s/n - 20191600180. Incl. pos. 2-4 |
| CLUTCH | 1 | 597519201 | Clutch cover assy | 502493506 | from s/n 20191600181- Incl. pos. 2-4 |
| SHORT BLOCK | 1 | 576798803 | Short block | 576798801 | Up to s/n - 20191600180 |
| SHORT BLOCK | 3 | 576798802 | Short block | 576798801 | From s/n 20191600181 |