



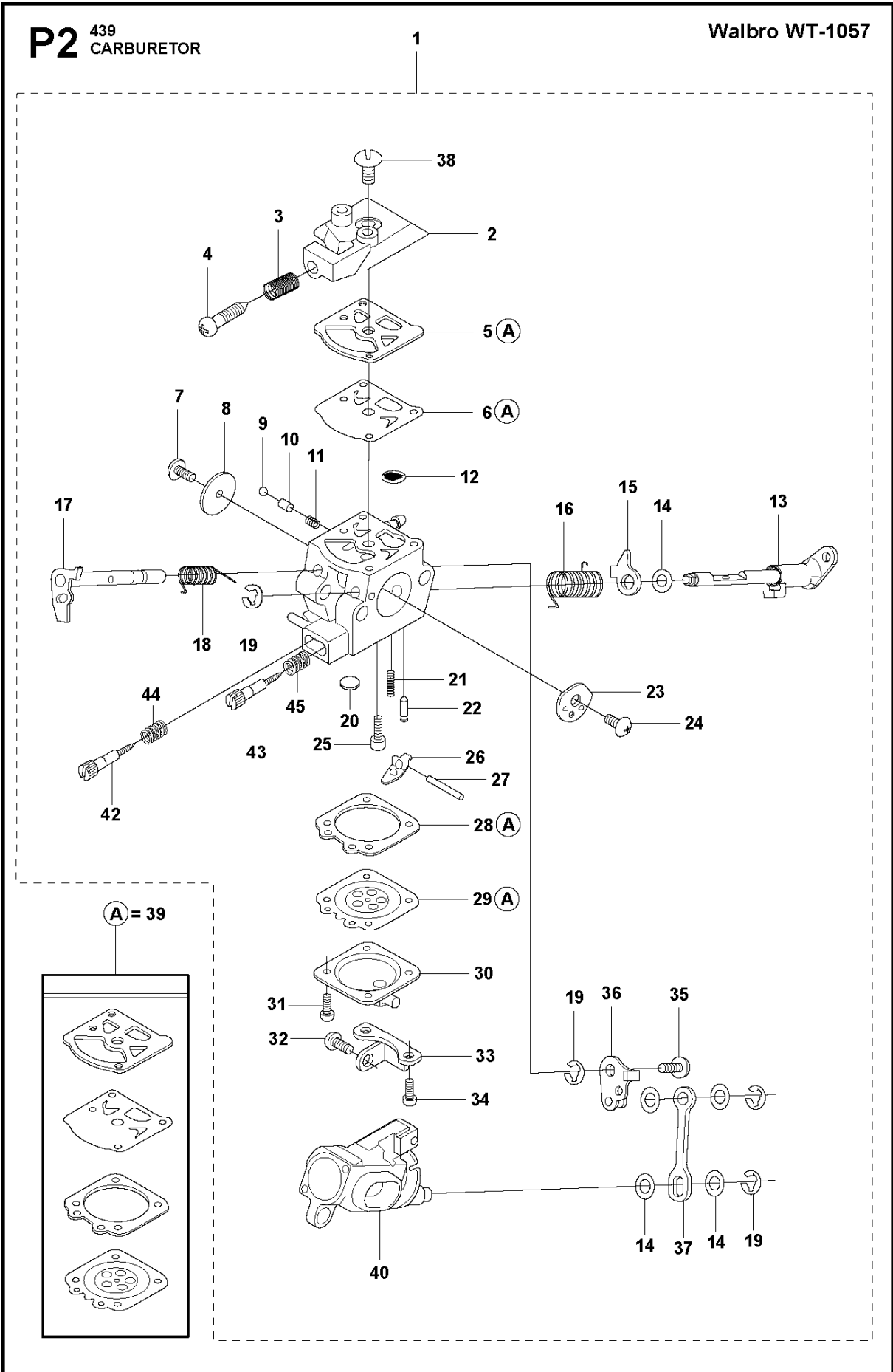
SPARE PARTS LIST

CHAIN SAWS

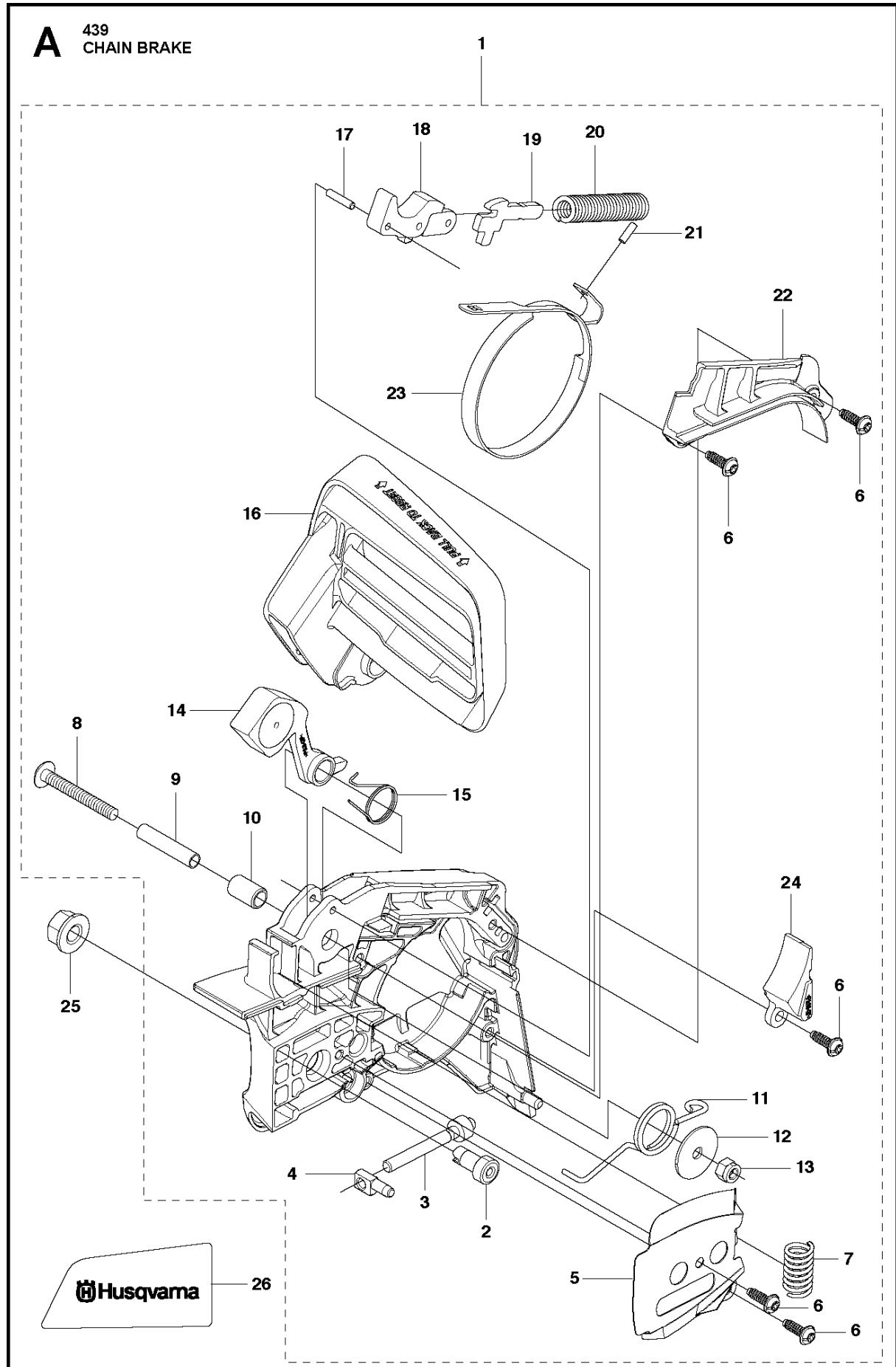
439

P2 439
CARBURETOR

Walbro WT-1057

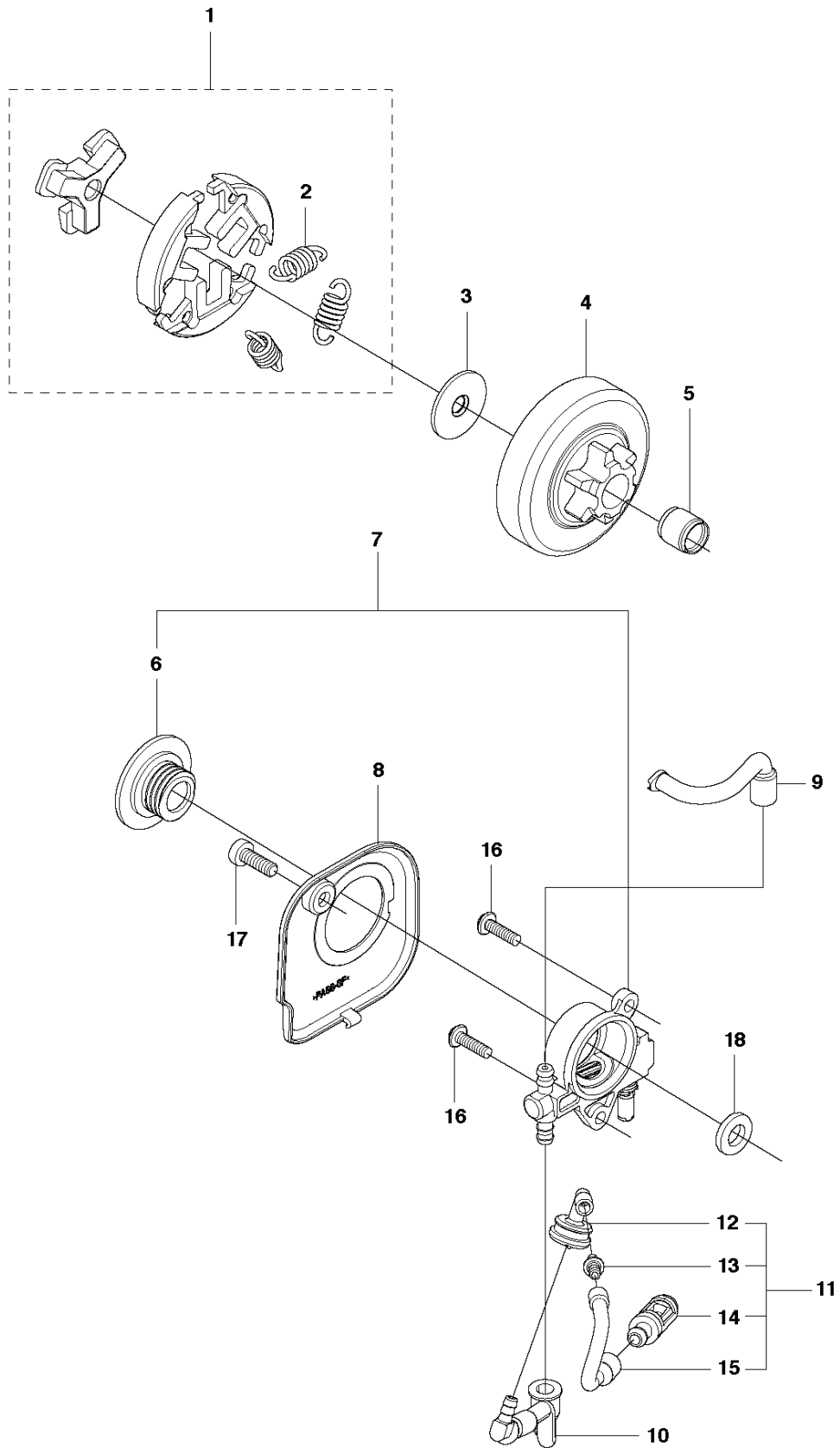


| Ref | Part No | Description | Remark | QTY KIT |
|-----|--------------|----------------|----------------|---------|
| 1 | 579 58 86-01 | CARBURETTOR | For JAPAN only | 1 |
| 2 | 521 57 56-01 | COVER | | 1 |
| 3 | 521 06 63-01 | SPRING | | 1 |
| 4 | 516 77 83-01 | SCREW | | 1 |
| 5 | 520 95 48-01 | GASKET | | 1 |
| 6 | 584 97 78-01 | DIAPHRAGM PUMP | | 1 |
| 7 | 520 75 98-01 | SCREW | | 1 |
| 8 | 520 97 86-01 | VALVE | | 1 |
| 9 | 516 93 60-01 | BALL | | 1 |
| 10 | 516 93 59-01 | PISTON | | 1 |
| 11 | 505 05 79-01 | SPRING | | 1 |
| 12 | 520 95 70-01 | SCREEN | | 1 |
| 13 | 579 30 82-01 | SHAFT ASSY | | 1 |
| 14 | 516 52 42-01 | WASHER | | 5 |
| 15 | 521 58 11-01 | LEVER | | 1 |
| 16 | 521 58 01-01 | SPRING | | 1 |
| 17 | 581 12 43-01 | SHAFT ASSY | | 1 |
| 18 | 516 84 39-01 | SPRING | | 1 |
| 19 | 505 05 65-01 | RING | | 4 |
| 20 | 516 34 29-01 | PLUG | | 1 |
| 21 | 516 98 00-01 | SPRING | | 1 |
| 22 | 521 08 54-01 | VALVE.INLET | | 1 |
| 23 | 516 95 69-01 | CHOKE VALVE | | 1 |
| 24 | 520 75 98-01 | SCREW | | 1 |
| 25 | 520 97 73-01 | SCREW | | 1 |
| 26 | 520 97 72-01 | LEVER | | 1 |
| 27 | 520 97 74-01 | PIN | | 1 |
| 28 | 516 97 21-01 | GASKET | | 1 |
| 29 | 520 95 49-01 | DIAPHRAGM | | 1 |
| 30 | 522 64 60-01 | COVER | | 1 |
| 31 | 520 97 88-01 | SCREW ASSY | | 2 |
| 32 | 522 64 61-01 | SCREW | | 1 |
| 33 | 579 23 64-01 | BRACKET | | 1 |
| 34 | 522 64 56-01 | SCREW ASSY | | 2 |
| 35 | 520 75 98-01 | SCREW | | 1 |
| 36 | 579 30 81-01 | LINK ASSY | | 1 |
| 37 | 522 64 64-01 | ROD.LINK | | 1 |
| 38 | 520 97 63-01 | SCREW | | 1 |
| 39 | 527 66 16-01 | GASKET KIT | | 1 |
| 40 | 579 23 63-01 | BODY | | 1 |
| 42 | 521 78 76-01 | NEEDLE | | 1 |
| 43 | 513 89 04-01 | NEEDLE | | 1 |
| 44 | 514 10 38-01 | SPRING | | 2 |
| 45 | 513 30 15-01 | SPRING | | 1 |

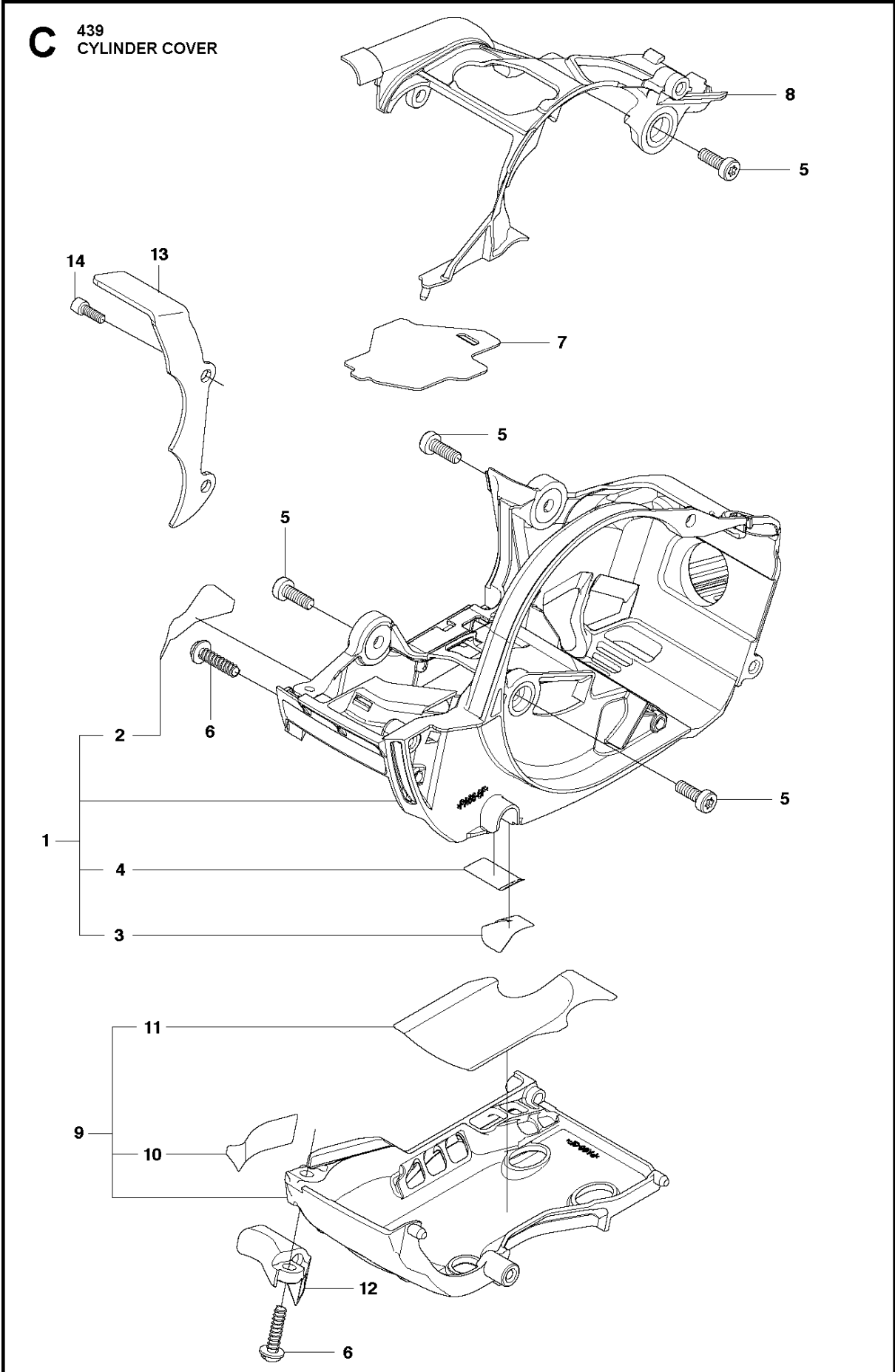


| Ref | Part No | Description | Remark | QTY KIT |
|-----|--------------|-------------------|--------|---------|
| 1 | 585 13 50-01 | CLUTCH COVER ASSY | | 1 |
| 2 | 513 63 79-01 | GEAR | | 1 |
| 3 | 513 73 07-01 | SCREW | | 1 |
| 4 | 513 70 14-01 | NUT | | 1 |
| 5 | 522 64 33-01 | PLATE | | 1 |
| 6 | 516 82 72-01 | SCREW | | 5 |
| 7 | 522 64 32-01 | SPRING | | 1 |
| 8 | 516 96 75-01 | SCREW | | 1 |
| 9 | 516 96 76-01 | SPACER INNER | | 1 |
| 10 | 516 96 78-01 | SPACER | | 1 |
| 11 | 516 96 74-01 | RETURN SPRING | | 1 |
| 12 | 521 02 54-01 | WASHER | | 1 |
| 13 | 514 18 39-01 | NUT | | 1 |
| 14 | 527 75 22-01 | WEIGHT | | 1 |
| 15 | 516 98 84-01 | SPRING | | 1 |
| 16 | 579 31 05-01 | HAND GUARD | | 1 |
| 17 | 513 80 73-01 | ROLLER | | 1 |
| 18 | 513 80 66-01 | LEVER C | | 1 |
| 19 | 516 82 56-01 | ARM | | 1 |
| 20 | 513 75 88-01 | SPRING | | 1 |
| 21 | 521 07 54-01 | ROLLER | | 1 |
| 22 | 522 01 54-01 | COVER | | 1 |
| 23 | 580 88 59-01 | BRAKE BAND | | 1 |
| 24 | 523 08 06-01 | PROTECTION | | 1 |
| 25 | 503 22 00-01 | HEXAGON NUT | | 1 |
| 26 | 522 63 52-01 | LABEL.COVER | | 1 |

B 439
CLUTCH & OIL PUMP

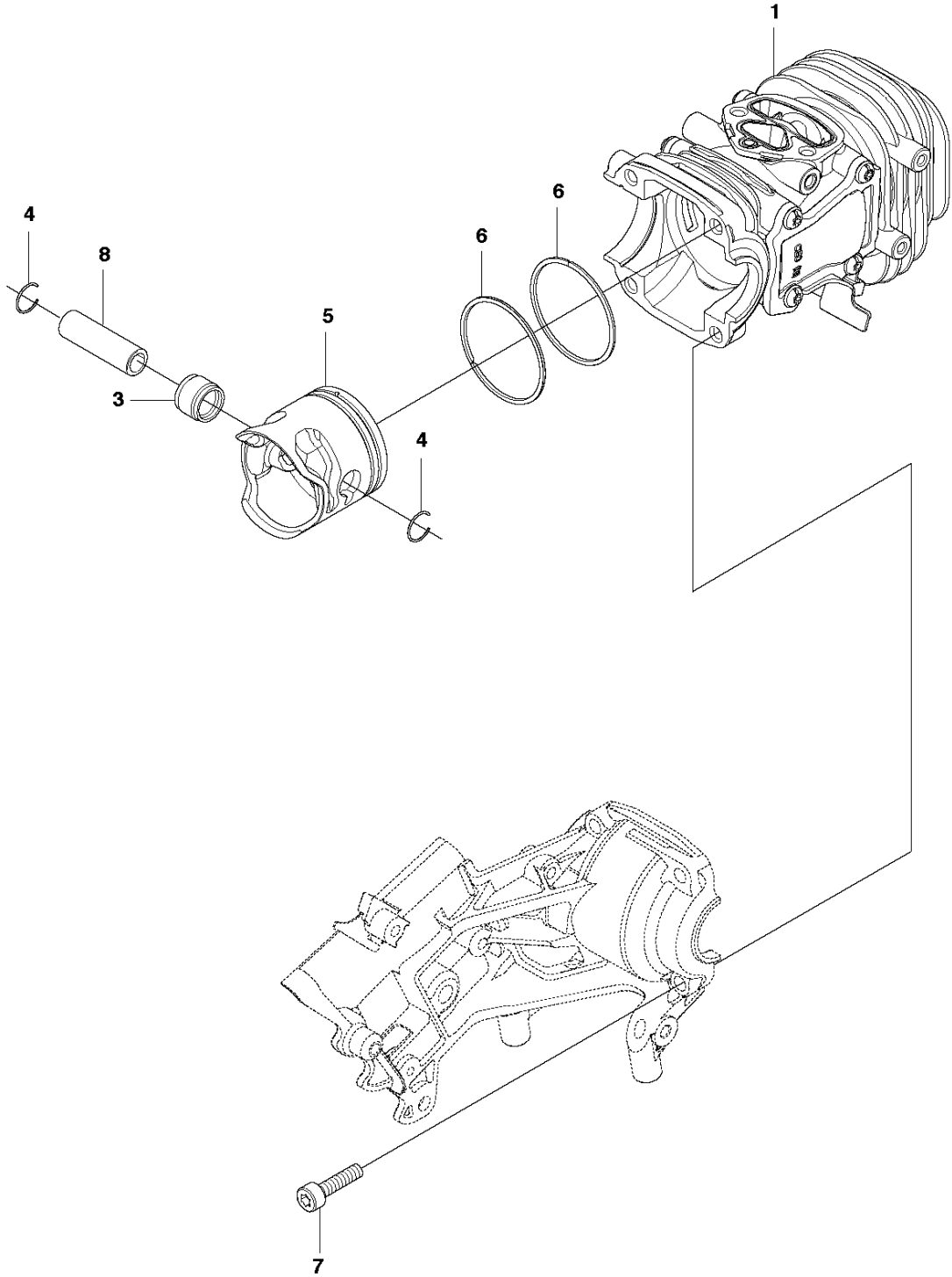


| Ref | Part No | Description | Remark | QTY KIT |
|-----|--------------|------------------|--------|---------|
| 1 | 521 55 74-01 | CLUTCH ASSY | | 1 |
| 2 | 521 55 75-01 | SPRING | | 3 |
| 3 | 512 42 34-01 | PLATE | | 1 |
| 4 | 512 48 92-01 | CLUTCH DRUM ASSY | | 1 |
| 5 | 514 18 33-01 | BEARING | | 1 |
| 6 | 505 05 31-01 | WORM | | 1 |
| 7 | 521 58 60-01 | OIL PUMP | | 1 |
| 8 | 522 00 58-01 | COVER | | 1 |
| 9 | 521 79 26-02 | OUTLET PIPE ASSY | | 1 |
| 10 | 522 64 36-01 | PIPE IN COMP | | 1 |
| 11 | 527 67 23-01 | FILTER | | 1 |
| 12 | 527 67 21-01 | PIPE,OIL FILTER | | 1 |
| 13 | 516 95 03-01 | JOINT | | 1 |
| 14 | 521 58 00-01 | FILTER | | 1 |
| 15 | 529 25 17-01 | PIPE | | 1 |
| 16 | 516 82 94-01 | SCREW | | 2 |
| 17 | 521 51 62-01 | BOLT | | 1 |
| 18 | 505 05 33-01 | WASHER | | 1 |



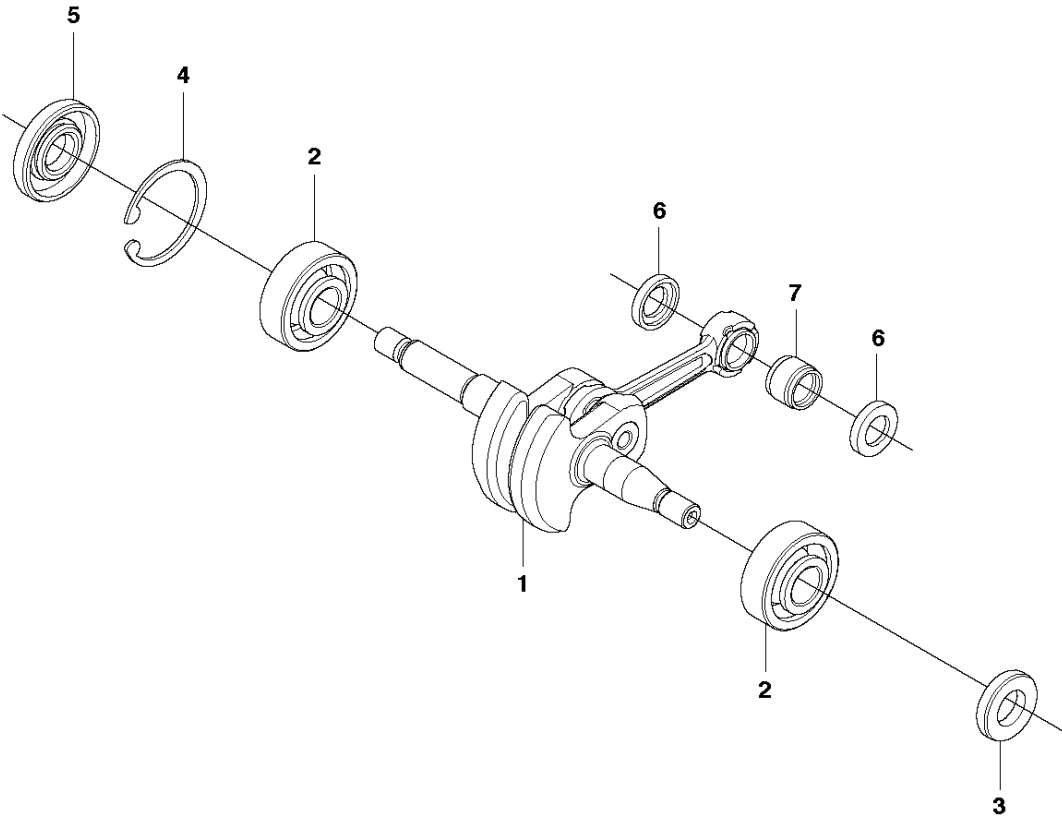
| Ref | Part No | Description | Remark | QTY KIT |
|-----|--------------|-------------|--------|---------|
| 1 | 522 00 11-01 | CASE COMP | | 1 |
| 2 | 527 66 79-01 | TAPE,CASE | | 1 |
| 3 | 527 68 28-01 | TAPE,CASE | | 1 |
| 4 | 527 68 40-01 | TAPE,CASE | | 1 |
| 5 | 521 51 62-01 | BOLT | | 4 |
| 6 | 521 51 80-01 | SCREW | | 2 |
| 7 | 522 64 12-01 | GASKET | | 1 |
| 8 | 522 00 12-01 | COVER | | 1 |
| 9 | 577 10 49-01 | CASE | | 1 |
| 10 | 527 67 72-01 | TAPE,CASE | | 1 |
| 11 | 577 10 37-01 | TAPE | | 1 |
| 12 | 522 01 21-01 | CATCH | | 1 |
| 13 | 579 71 61-01 | SPIKE | | 1 |
| 14 | 521 51 62-01 | BOLT | | 1 |

D 439
CYLINDER & PISTON



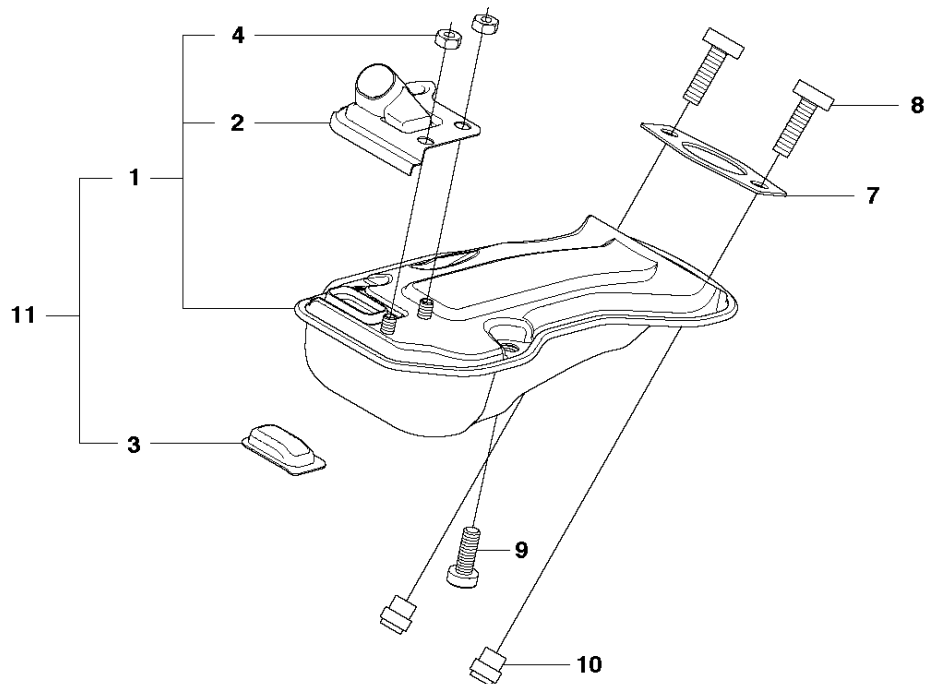
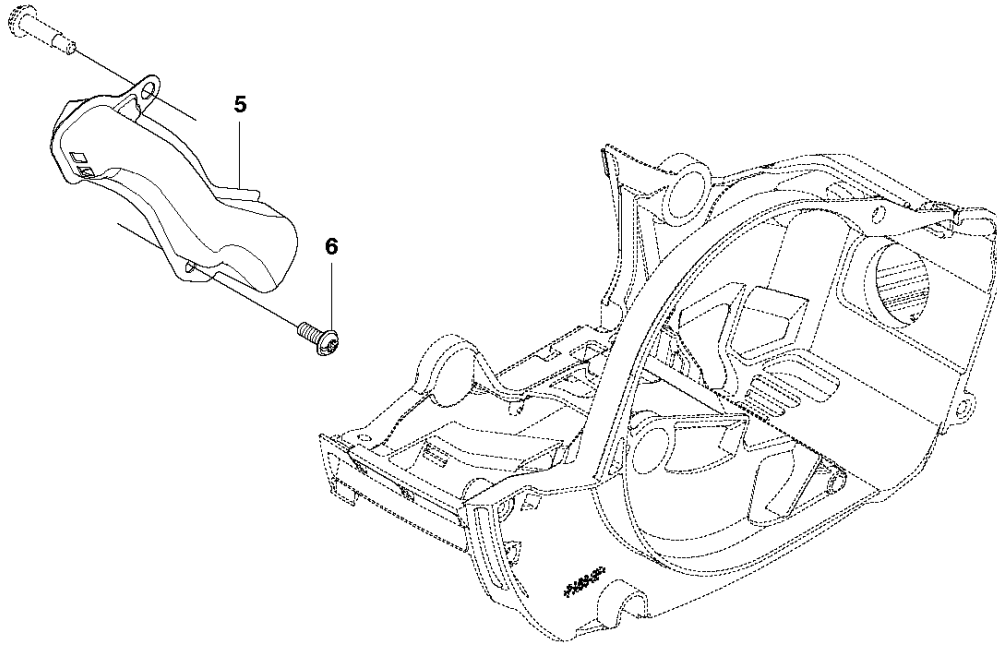
| Ref | Part No | Description | Remark | QTY KIT |
|-----|--------------|---------------|--------|---------|
| 1 | 522 64 03-01 | CYLINDER ASSY | | 1 |
| 3 | 505 29 73-01 | BEARING | | 1 |
| 4 | 516 28 30-01 | RING | | 2 |
| 5 | 522 64 25-01 | PISTON | | 1 |
| 6 | 513 28 49-01 | RING | | 2 |
| 7 | 504 11 43-01 | SCREW | | 4 |
| 8 | 522 63 93-01 | PIN | | 1 |

E 439
CRANK SHAFT



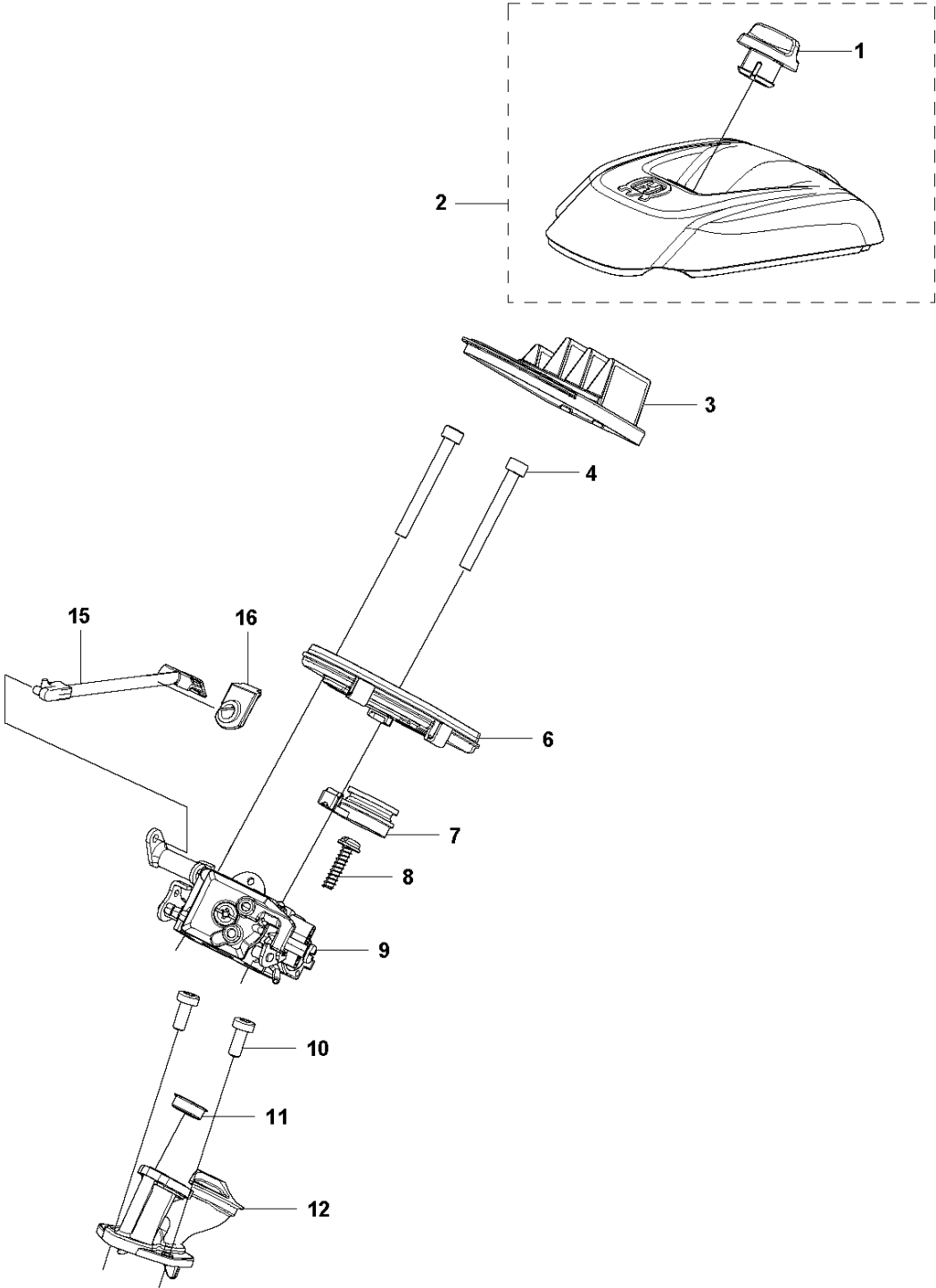
| Ref | Part No | Description | Remark | QTY KIT |
|-----|--------------|-------------|--------|---------|
| 1 | 576 44 97-01 | CRANKSHAFT | | 1 |
| 2 | 513 74 63-01 | BEARING | | 2 |
| 3 | 522 63 91-01 | SEAL | | 1 |
| 4 | 504 12 10-01 | SNAP RING | | 1 |
| 5 | 522 63 92-01 | SEAL | | 1 |
| 6 | 513 75 24-01 | WASHER | | 2 |
| 7 | 505 29 73-01 | BEARING | | 1 |

F 439
MUFFLER



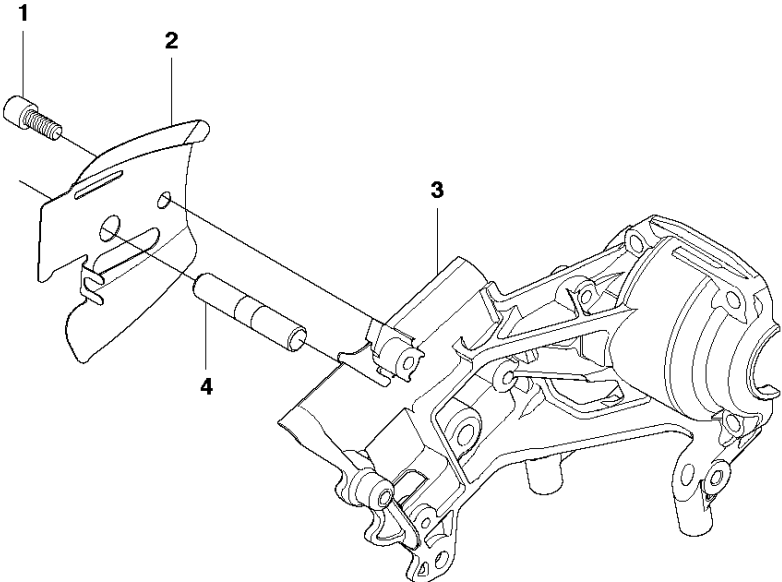
| Ref | Part No | Description | Remark | QTY | KIT |
|-----|--------------|--------------|-------------------|-----|-----|
| 1 | 585 04 41-01 | MUFFLER ASSY | For EU/JAPAN only | 1 | 11 |
| 2 | 574 38 14-01 | GUIDE | Muffler guide | 1 | 1 |
| 3 | 527 68 26-01 | ARRESTER | | 1 | 11 |
| 4 | 510 48 58-01 | NUT | Nut | 2 | 1 |
| 5 | 522 00 45-01 | PIPE.EXHAUST | Exhaust pipe | 1 | |
| 6 | 516 80 88-01 | SCREW | Screw | 1 | |
| 7 | 521 79 20-01 | GASKET | Gasket | 1 | |
| 8 | 522 63 88-01 | BOLT | Bolt | 2 | |
| 9 | 521 51 62-01 | BOLT | Screw | 2 | |
| 10 | 516 96 09-01 | NUT | Nut | 2 | |
| 11 | 577 74 20-01 | MUFFLER ASSY | For US/CAN only | 1 | |

G 439
CARBURETOR & AIR FILTER



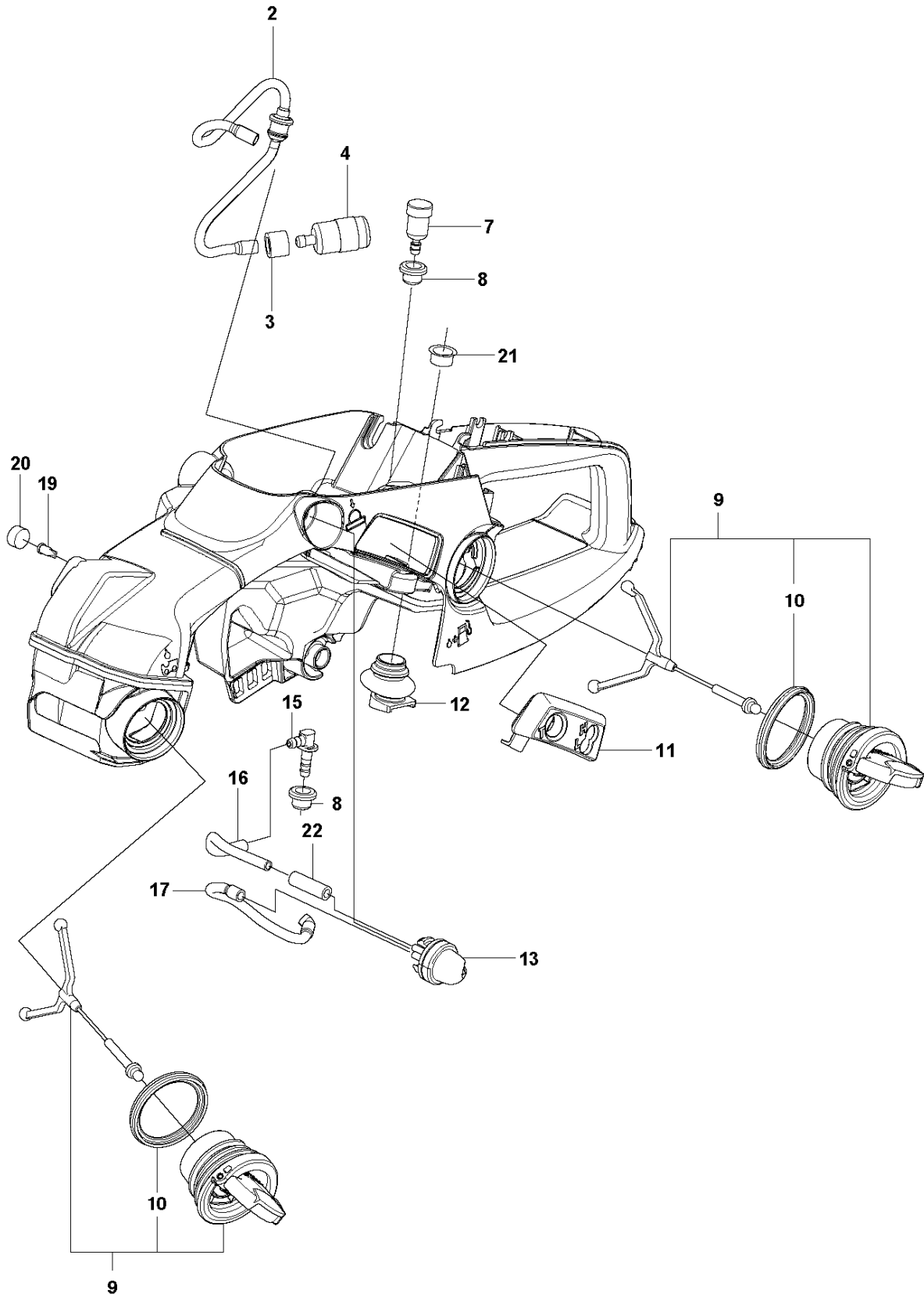
| Ref | Part No | Description | Remark | QTY KIT |
|-----|--------------|-------------------|----------------------|---------|
| 1 | 577 43 37-01 | KNOB | | 1 |
| 2 | 579 31 20-01 | AIR FILTER COVER | | 1 |
| 3 | 579 30 89-01 | AIR FILTER | | 1 |
| 4 | 522 63 87-01 | BOLT | | 2 |
| 6 | 579 30 85-01 | AIR FILTER BOTTOM | | 1 |
| 7 | 527 67 51-01 | SEAL | | 1 |
| 8 | 521 51 81-01 | SCREW | | 1 |
| 9 | 579 30 80-01 | CARBURETTOR | For EU/US only | 1 |
| 9 | 579 58 86-01 | CARBURETTOR | For JAPAN only | 1 |
| 10 | 522 63 85-01 | BOLT | | 2 |
| 11 | 581 89 78-01 | RING | | 1 |
| 12 | 587 13 94-01 | INLET PIPE | s/n frpm 20174300651 | 1 |
| 15 | 579 30 83-01 | CHOKE ROD | | 1 |
| 16 | 579 30 84-01 | GROMMET | | 1 |

H 439
CRANKCASE



| Ref | Part No | Description | Remark | QTY KIT |
|-----|--------------|-------------|--------|---------|
| 1 | 521 79 99-01 | BOLT | | 1 |
| 2 | 522 01 20-01 | PLATE | | 1 |
| 3 | 527 66 56-01 | CASE | | 1 |
| 4 | 516 73 80-01 | STUD BOLT | | 1 |

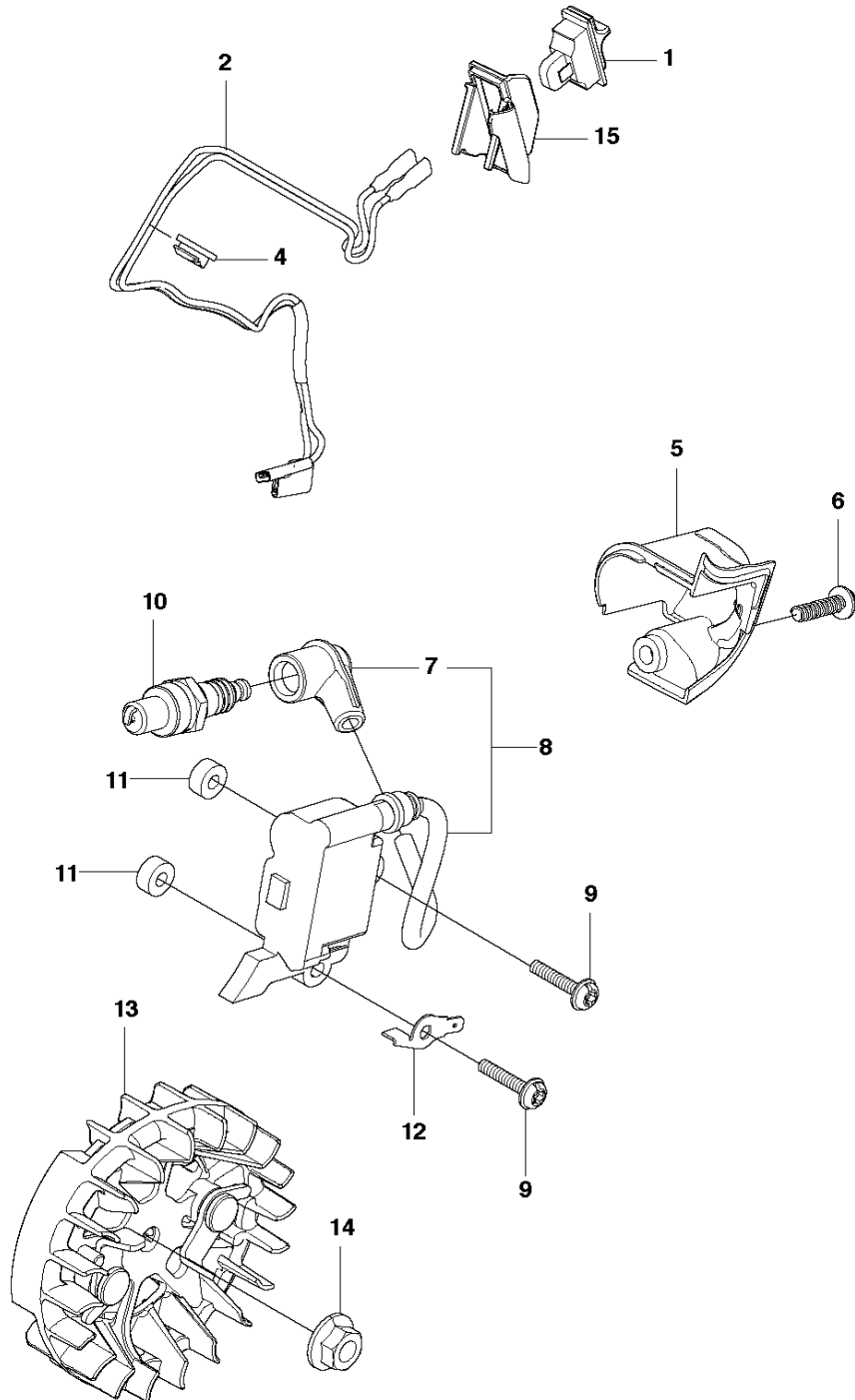
J 439
FUEL TANK



| Ref | Part No | Description | Remark | QTY KIT |
|-----|--------------|----------------|-------------------|---------|
| 2 | 587 41 84-02 | FUEL HOSE ASSY | For EU/JAPAN only | 1 |
| 2 | 579 31 24-01 | FUEL HOSE ASSY | For US/CAN only | 1 |
| 3 | 513 75 08-01 | COLLAR | | 1 |
| 4 | 575 96 07-01 | FILTER | | 1 |
| 7 | 513 75 15-01 | BREATHER | | 1 |
| 8 | 514 20 14-01 | GROMMET | | 2 |
| 9 | 577 87 86-03 | TANK CAP ASSY | | 2 |
| 10 | 589 24 13-01 | GASKET | | 2 |
| 11 | 579 30 92-01 | GROMMET | For EU/US only | 1 |
| 11 | 579 34 27-01 | GROMMET | For JAPAN only | 1 |
| 12 | 522 64 71-01 | PIPE.AIR | | 1 |
| 13 | 513 78 93-01 | PUMP | | 1 |
| 15 | 521 05 54-01 | ELBOW | | 1 |
| 16 | 595 52 69-03 | FUEL HOSE | | 1 |
| 17 | 595 52 69-07 | FUEL HOSE | | 1 |
| 19 | 516 96 19-01 | BREATHER | | 1 |
| 20 | 516 94 81-01 | SEAL | | 1 |
| 21 | 581 73 61-01 | GUIDE | | 1 |
| 22 | 585 14 16-01 | TUBE | | 1 |

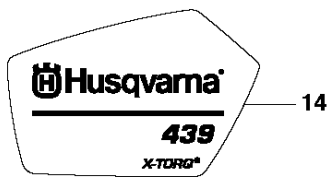
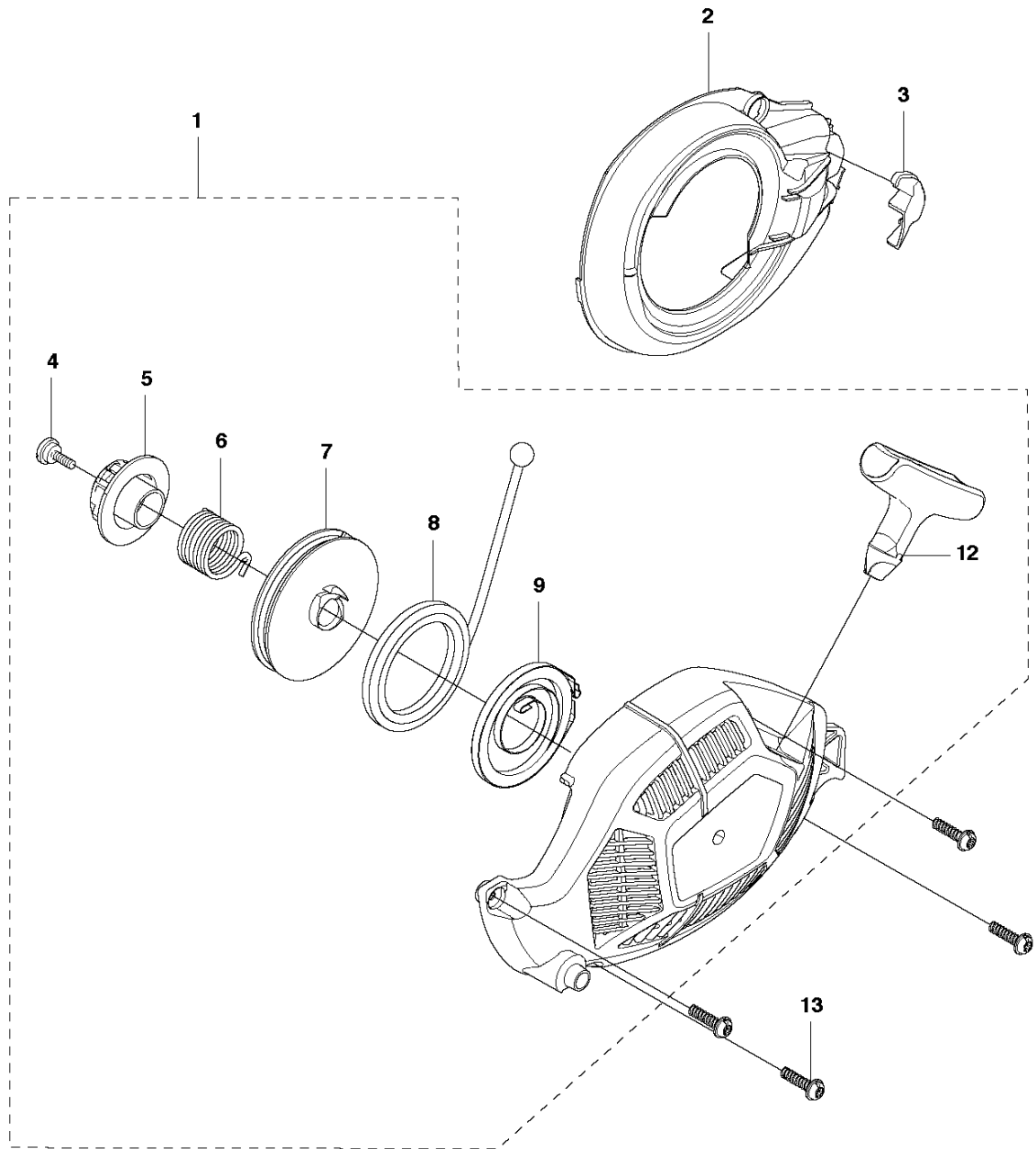
| Ref | Part No | Description | Remark | QTY KIT |
|-----|--------------|----------------|--------|---------|
| 1 | 579 31 16-01 | COVER | | 1 |
| 2 | 522 01 70-01 | ARM | | 1 |
| 3 | 579 31 15-01 | THROTTLE ROD | | 1 |
| 4 | 521 52 24-01 | PIN | | 1 |
| 5 | 581 64 18-01 | THROTTLE LEVER | | 1 |
| 6 | 521 07 89-01 | SPRING | | 1 |
| 7 | 579 31 43-01 | HANDLE | | 1 |
| 8 | 521 51 81-01 | SCREW | | 6 |
| 9 | 579 31 28-01 | SPRING | | 1 |
| 10 | 581 94 51-01 | SCREW | | 1 |
| 11 | 583 83 29-01 | SPRING | | 1 |
| 12 | 521 51 80-01 | SCREW | | 1 |
| 13 | 522 64 24-01 | SPRING.PTO | | 1 |
| 14 | 513 19 23-01 | SPACER | | 1 |
| 15 | 579 31 17-01 | COVER | | 1 |
| 16 | 512 84 81-01 | SCREW | | 3 |
| 18 | 579 31 22-01 | FRONT HANDLE | | 1 |
| 19 | 579 31 34-01 | DECAL | | 1 |
| 20 | 584 89 37-01 | GROMMET | | 1 |
| 21 | 513 73 74-01 | GROMMET | | 1 |

M 439
IGNITION SYSTEM



| Ref | Part No | Description | Remark | QTY KIT |
|-----|--------------|--------------------|--------|---------|
| 1 | 522 79 82-02 | STOP SWITCH | | 1 |
| 2 | 585 14 29-01 | WIRING ASSY | | 1 |
| 4 | 522 64 43-01 | GROMMET | | 1 |
| 5 | 585 51 79-02 | COVER | | 1 |
| 6 | 521 51 81-01 | SCREW | | 1 |
| 7 | 523 08 28-01 | HUB CAP | | 1 |
| 8 | 584 40 37-01 | IGNITION COIL ASSY | | 1 |
| 9 | 585 70 29-01 | BOLT | | 2 |
| 10 | 521 23 35-01 | PLUG | | 1 |
| 11 | 505 04 34-01 | SPACER | | 2 |
| 12 | 522 64 44-01 | TERMINAL | | 1 |
| 13 | 581 97 20-01 | FLYWHEEL ASSY | | 1 |
| 14 | 516 43 74-01 | NUT | | 1 |
| 15 | 579 30 94-01 | BRACKET | | 1 |

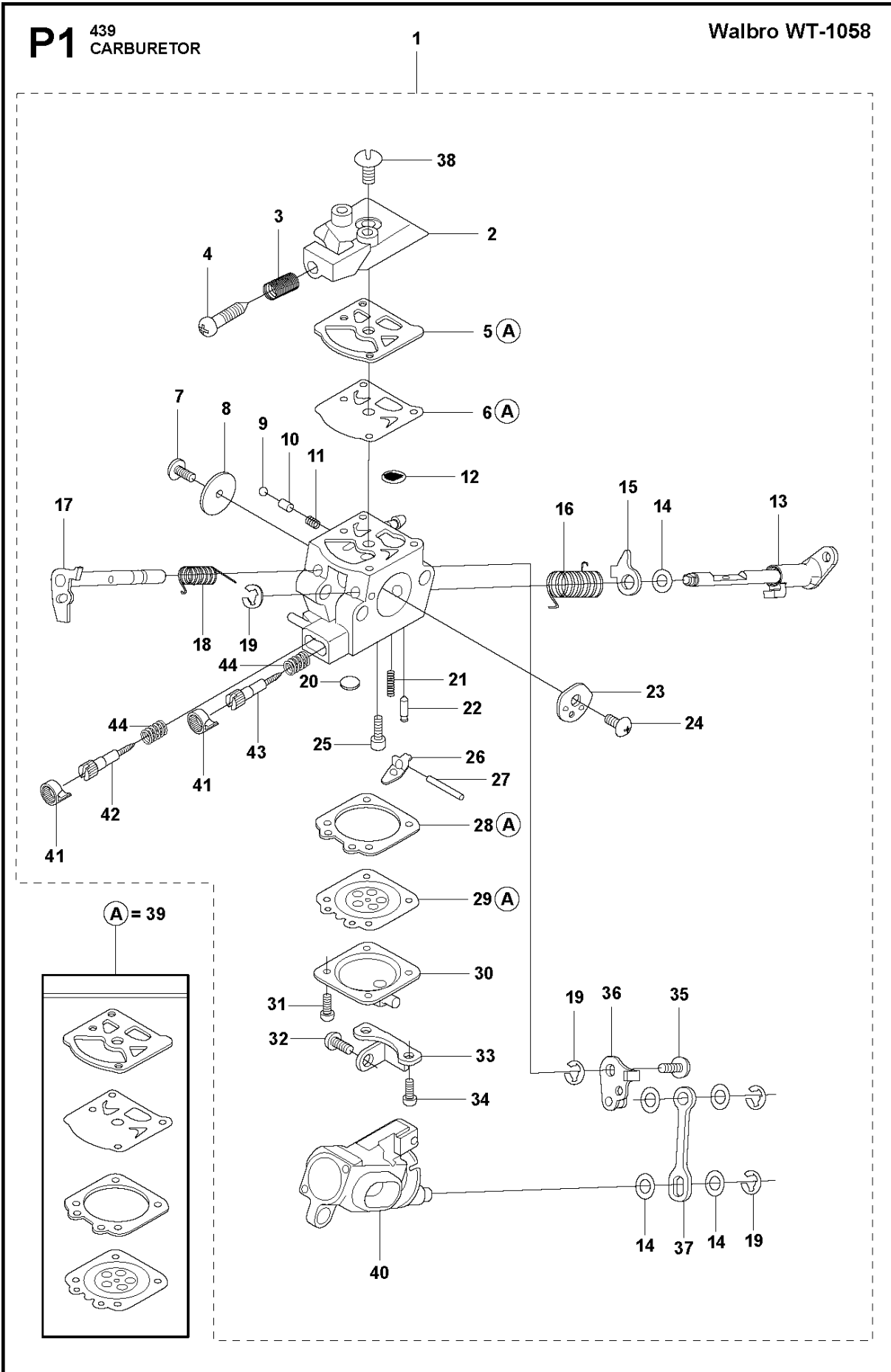
N 439
STARTER



| Ref | Part No | Description | Remark | QTY KIT |
|-----|--------------|----------------|--------|---------|
| 1 | 579 30 98-01 | STARTER ASSY | | 1 |
| 2 | 522 64 47-01 | COVER | | 1 |
| 3 | 527 67 38-01 | GUIDE | | 1 |
| 4 | 515 36 71-01 | SCREW | | 1 |
| 5 | 522 64 54-01 | CAM | | 1 |
| 6 | 522 64 53-01 | SPRING | | 1 |
| 7 | 522 64 50-01 | REEL | | 1 |
| 8 | 522 64 51-01 | ROPE | | 1 |
| 9 | 522 64 49-01 | SPRING_ASSY | | 1 |
| 12 | 537 23 25-01 | STARTER HANDLE | | 1 |
| 13 | 521 51 81-01 | SCREW | | 4 |
| 14 | 579 31 35-01 | DECAL | | 1 |

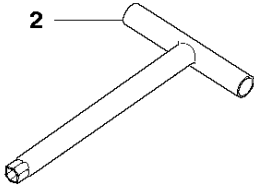
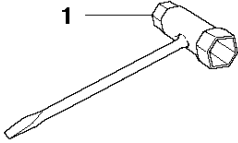
P1 439
CARBURETOR

Walbro WT-1058



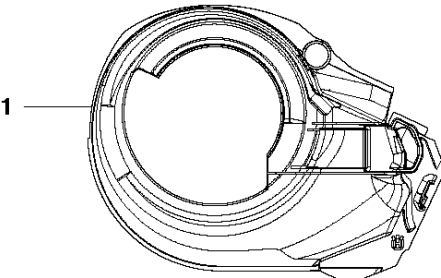
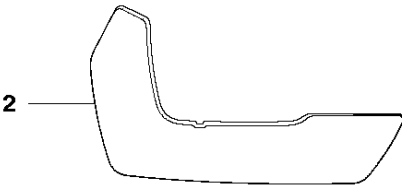
| Ref | Part No | Description | Remark | QTY KIT |
|-----|--------------|----------------|----------------|---------|
| 1 | 579 30 80-01 | CARBURETTOR | For EU/US only | 1 |
| 2 | 521 57 56-01 | COVER | | 1 |
| 3 | 521 06 63-01 | SPRING | | 1 |
| 4 | 516 77 83-01 | SCREW | | 1 |
| 5 | 520 95 48-01 | GASKET | | 1 |
| 6 | 584 97 78-01 | DIAPHRAGM PUMP | | 1 |
| 7 | 520 75 98-01 | SCREW | | 1 |
| 8 | 520 97 86-01 | VALVE | | 1 |
| 9 | 516 93 60-01 | BALL | | 1 |
| 10 | 516 93 59-01 | PISTON | | 1 |
| 11 | 505 05 79-01 | SPRING | | 1 |
| 12 | 520 95 70-01 | SCREEN | | 1 |
| 13 | 579 30 82-01 | SHAFT ASSY | | 1 |
| 14 | 516 52 42-01 | WASHER | | 5 |
| 15 | 521 58 11-01 | LEVER | | 1 |
| 16 | 521 58 01-01 | SPRING | | 1 |
| 17 | 522 64 62-01 | SHAFT ASSY | | 1 |
| 18 | 516 84 39-01 | SPRING | | 1 |
| 19 | 505 05 65-01 | RING | | 4 |
| 20 | 516 34 29-01 | PLUG | | 1 |
| 21 | 516 98 00-01 | SPRING | | 1 |
| 22 | 521 08 54-01 | VALVE.INLET | | 1 |
| 23 | 516 95 69-01 | CHOKE VALVE | | 1 |
| 24 | 520 75 98-01 | SCREW | | 1 |
| 25 | 520 97 73-01 | SCREW | | 1 |
| 26 | 520 97 72-01 | LEVER | | 1 |
| 27 | 520 97 74-01 | PIN | | 1 |
| 28 | 516 97 21-01 | GASKET | | 1 |
| 29 | 505 30 68-01 | DIAPHRAGM | | 1 |
| 30 | 522 64 60-01 | COVER | | 1 |
| 31 | 520 97 88-01 | SCREW ASSY | | 2 |
| 32 | 522 64 61-01 | SCREW | | 1 |
| 33 | 579 23 64-01 | BRACKET | | 1 |
| 34 | 522 64 56-01 | SCREW ASSY | | 2 |
| 35 | 520 75 98-01 | SCREW | | 1 |
| 36 | 579 30 81-01 | LINK ASSY | | 1 |
| 37 | 522 64 64-01 | ROD.LINK | | 1 |
| 38 | 520 97 63-01 | SCREW | | 1 |
| 39 | 585 59 74-01 | GASKET KIT | | 1 |
| 40 | 579 23 63-01 | BODY | | 1 |
| 41 | 578 91 30-01 | CAP | | 2 |
| 42 | 585 66 01-01 | NEEDLE | | 1 |
| 43 | 578 91 31-01 | NEEDLE | | 1 |
| 44 | 578 91 28-01 | SPRING | | 2 |

Q 439
ACCESSORIES



| Ref | Part No | Description | Remark | QTY KIT |
|-----|--------------|---------------|--------|---------|
| 1 | 521 53 29-01 | WRENCH | | 1 |
| 2 | 505 38 13-07 | SOCKET WRENCH | | 1 |

R 439
WINTERKIT



| Ref | Part No | Description | Remark | QTY KIT |
|-----|--------------|--------------|--------|---------|
| 1 | 584 89 40-01 | COVER | | 1 |
| 2 | 584 89 47-01 | WINTER COVER | | 1 |

