

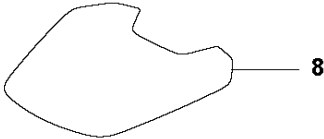
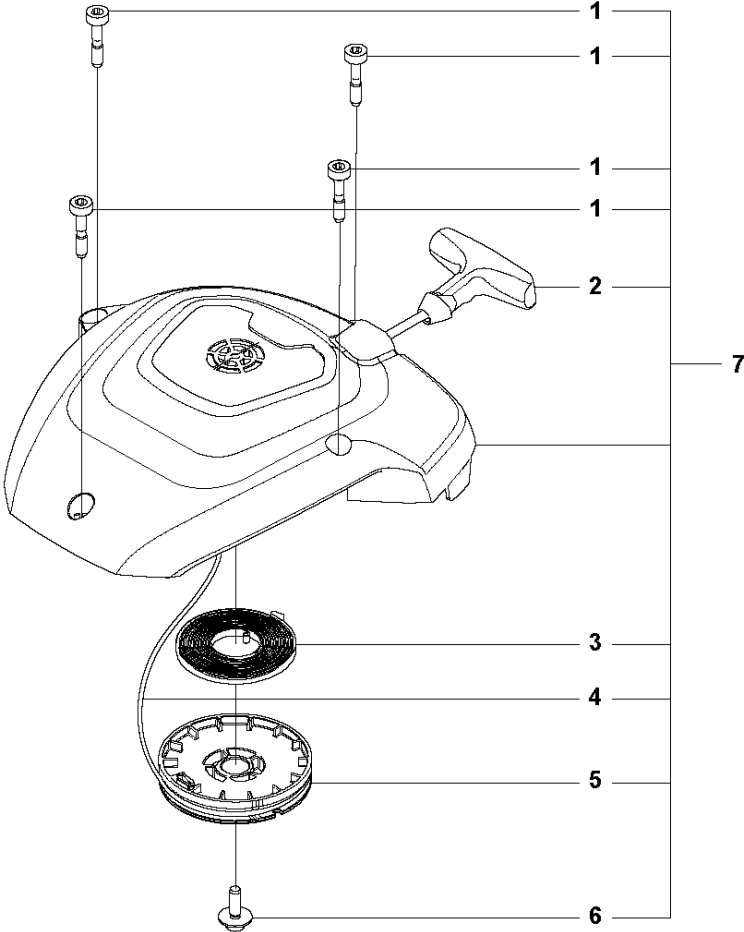


SPARE PARTS LIST

HEDGE TRIMMERS/POLE HEDGE
TRIMMERS

522 HS75 S

A 522HS75S
STARTER

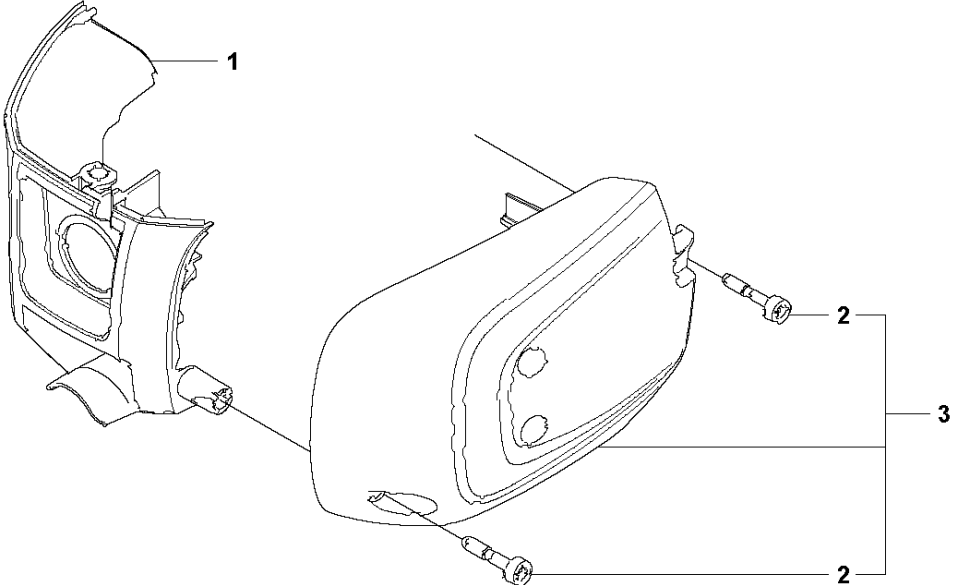


STARTER

522 HS75 S

Ref	Part No	Description	Remark	QTY	KIT
1	504 08 80-01	SCREW ITXSCM		4	7
2	575 48 95-01	STARTER HANDLE		1	7
3	575 89 64-01	SPRING		1	7
4	574 28 69-02	STARTER CORD		1	7
5	590 04 90-01	STARTER PULLEY		1	7
6	577 22 61-02	SCREW ITXSCT		1	7
7	597 02 89-01	STARTER ASSY		1	
8	593 88 89-09	LABEL	522HS75S	1	

B 522HS75S
CYLINDER COVER



CYLINDER COVER

522 HS75 S

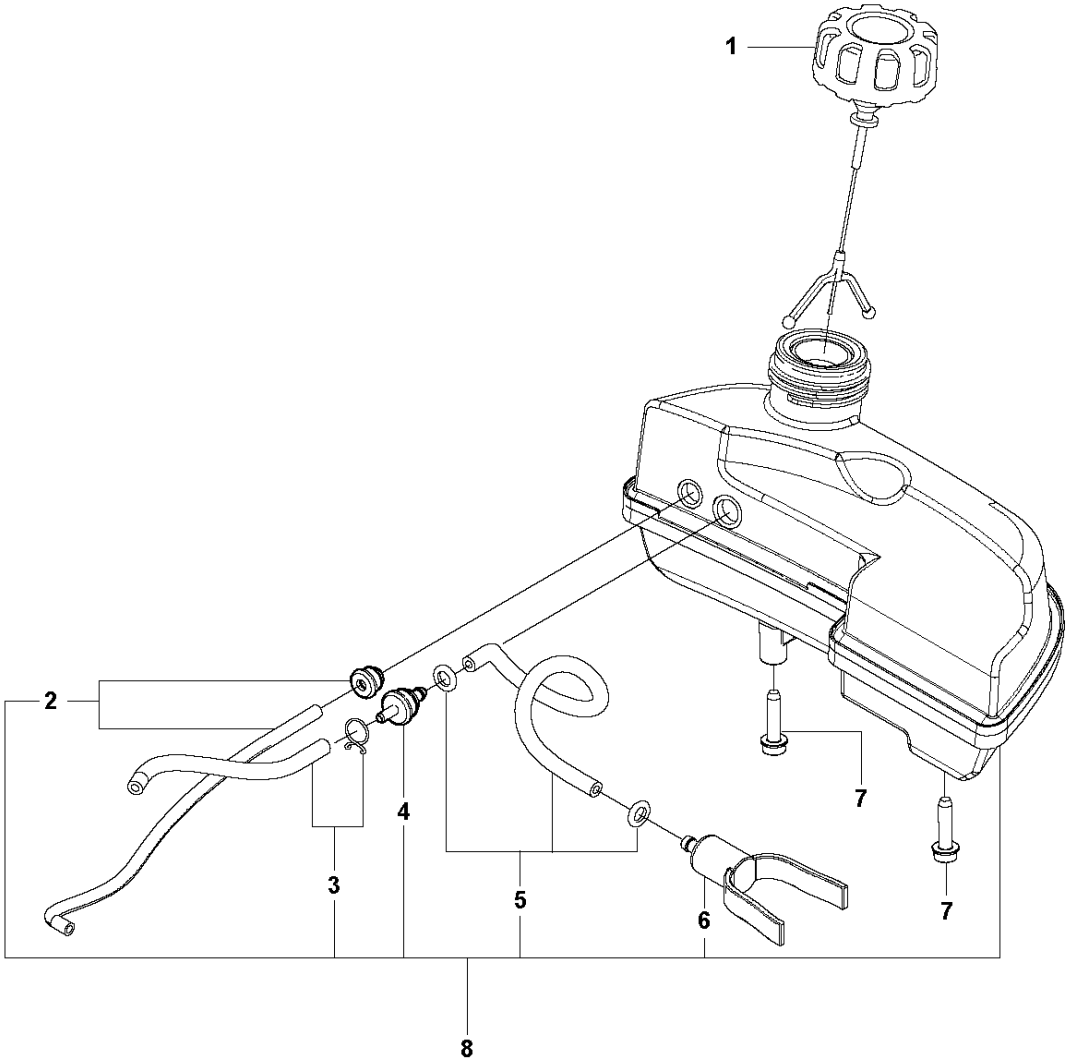
Ref	Part No	Description	Remark	QTY	KIT
1	590 04 99-01	CYLINDER COVER		1	
2	504 08 80-01	SCREW ITXSCM		2	3
3	597 02 06-01	HEAT PROTECTOR		1	

CARBURETOR & AIR FILTER

522 HS75 S

Ref	Part No	Description	Remark	QTY	KIT
1	597 02 91-01	FILTER COVER		1	
2	590 04 79-01	FILTER		1	
3	590 04 07-01	FILTER		1	
4	573 92 58-02	SCREW ITXSCFT		2	
5	590 04 16-01	CHOKE		1	
6	590 03 95-01	FILTER HOLDER ASSY		1	
7	577 88 24-02	GASKET		1	13
8	596 65 83-01	CARBURETTOR		1	
9	525 76 09-04	SCREW ITXSCM		4	12
10	525 54 85-01	GASKET		1	12, 13
11	573 92 58-05	SCREW ITXSCFT		2	12
12	597 02 90-01	MANIFOLD		1	
13	597 02 10-01	GASKET KIT		1	
14	588 98 60-01	KIT	CARBURETTOR	1	
15	590 74 01-01	SNAP LOCKING		1	

D 522HS75S
FUEL TANK

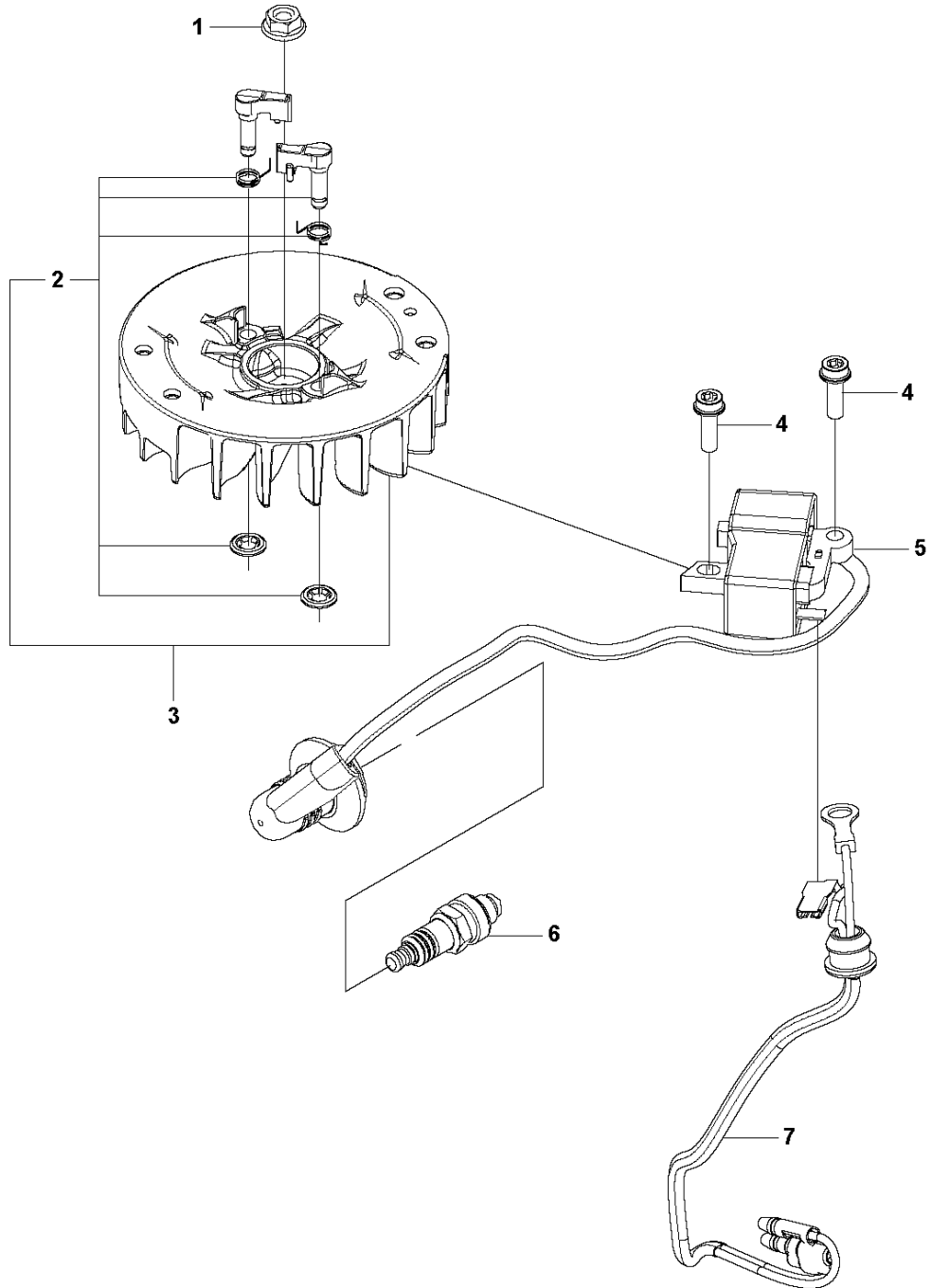


FUEL TANK

522 HS75 S

Ref	Part No	Description	Remark	QTY	KIT
1	504 11 32-01	TANK CAP		1	
2	597 02 12-01	HOSE KIT		1	8
3	597 02 13-01	HOSE KIT		1	8
4	578 29 56-01	HOSE NIPPLE		1	8
5	597 02 14-01	HOSE KIT		1	8
6	574 60 39-01	FUEL FILTER		1	8
7	521 51 81-01	SCREW		2	
8	597 02 15-01	FUEL TANK KIT		1	

E 522HS75S
IGNITION SYSTEM

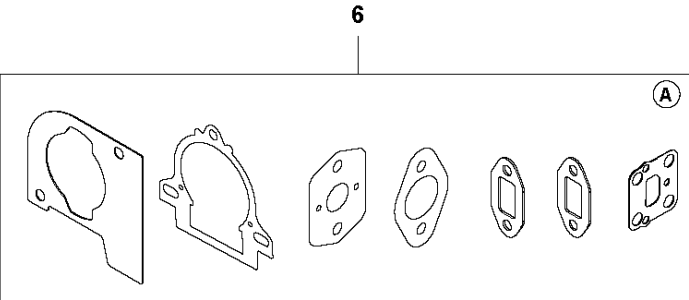
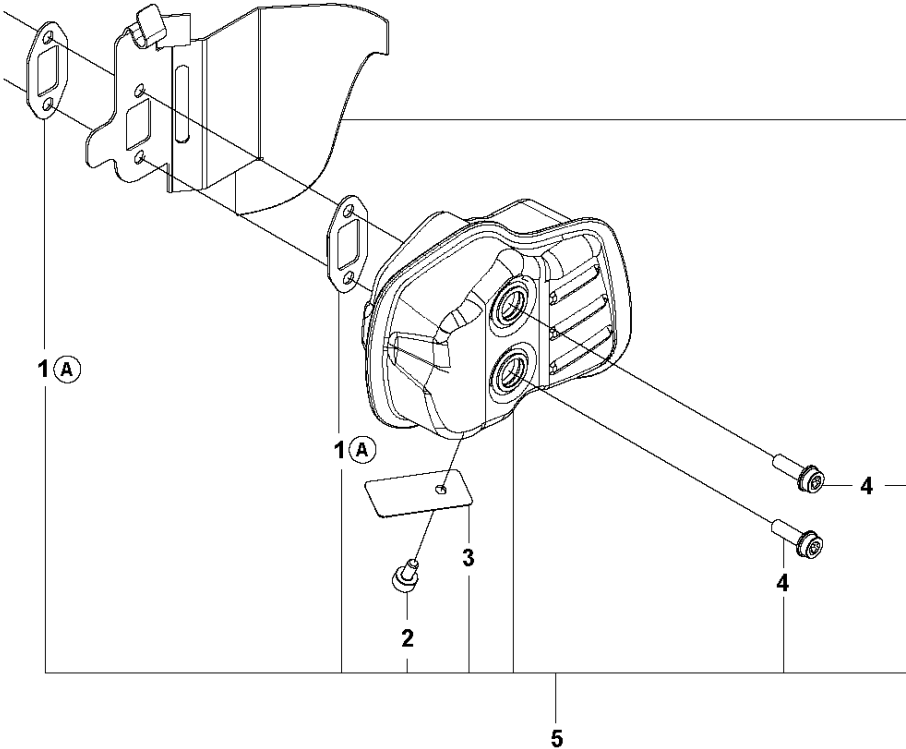


IGNITION SYSTEM

522 HS75 S

Ref	Part No	Description	Remark	QTY	KIT
1	731 71 16-51	HEXAGON NUT FLANGE		1	
2	597 02 93-01	SCREW KIT		1	3
3	525 73 95-01	FLYWHEEL ASSY		1	
4	525 75 51-01	SCREW ITXSCFM		2	
5	585 07 40-02	IGNITION MODULE		1	
6	503 23 54-01	SPARK PLUG		1	
7	574 48 89-04	SHORT CIRCUIT CABLE		1	

F 522HS75S
MUFFLER

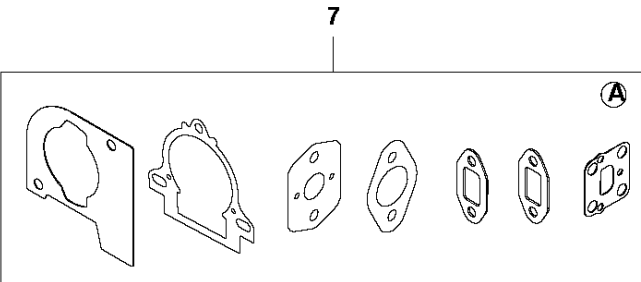
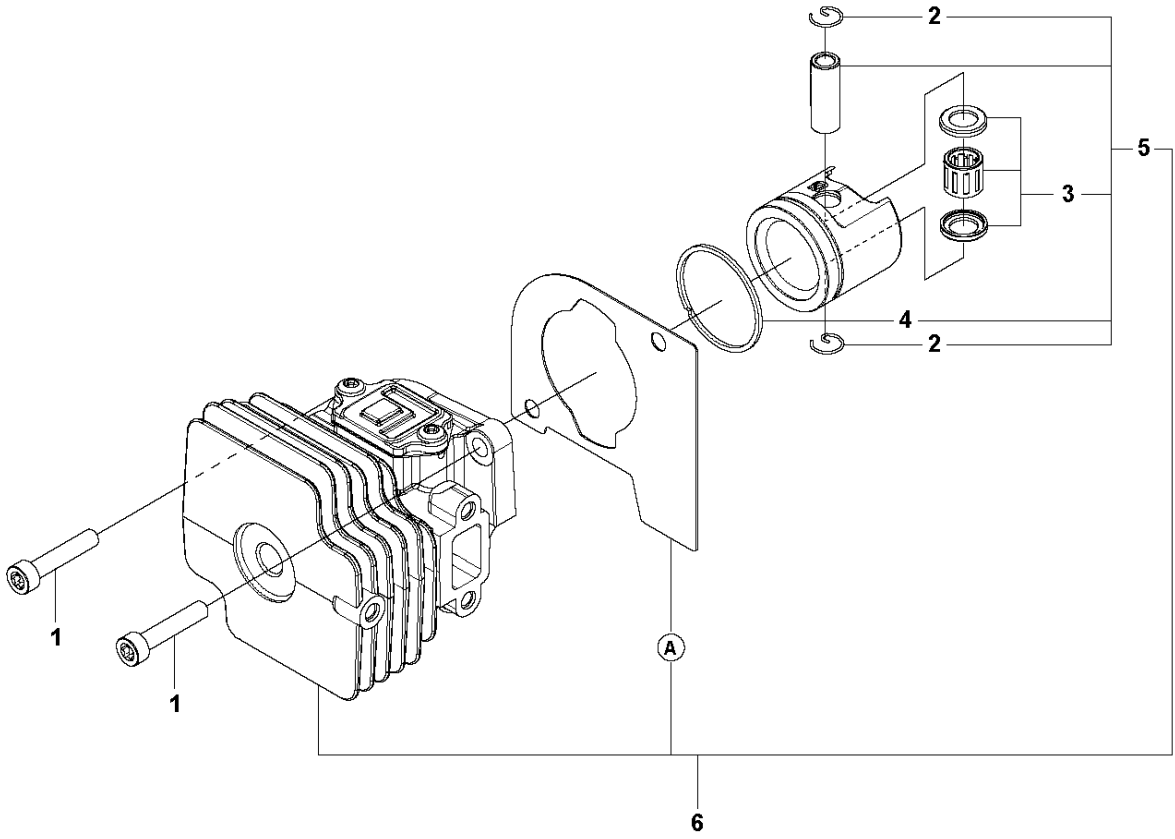


MUFFLER

522 HS75 S

Ref	Part No	Description	Remark	QTY	KIT
1	522 99 73-01	GASKET		2	5, 6
2	504 08 79-01	SCREW ITXSCM		1	5
3	525 74 16-01	SPARK ARRESTER		1	5
4	525 75 51-01	SCREW ITXSCFM		2	5
5	593 87 64-01	MUFFLER ASSY		1	
6	597 02 10-01	GASKET KIT		1	

G 522HS75S
CYLINDER & PISTON

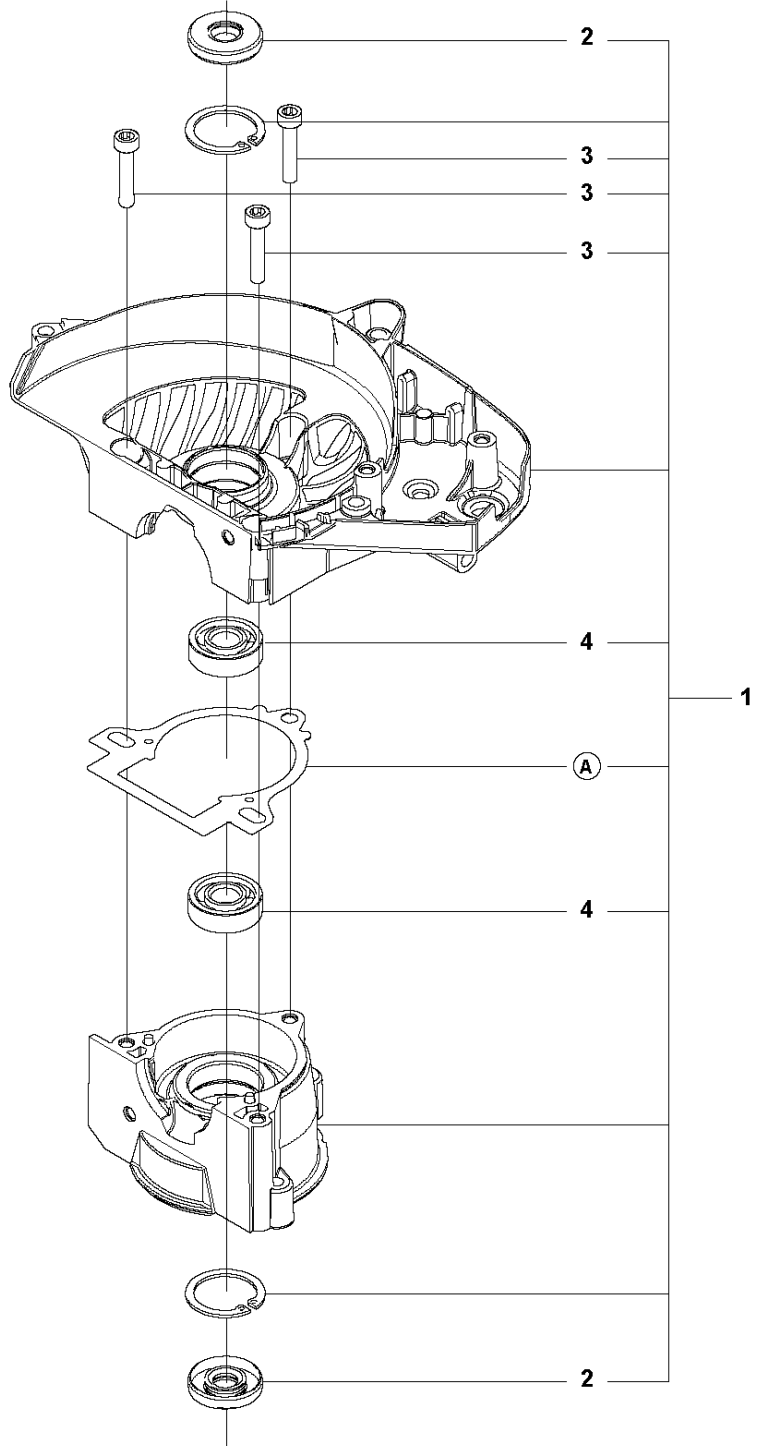


CYLINDER PISTON

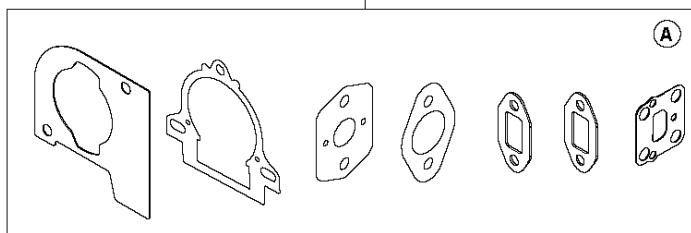
522 HS75 S

Ref	Part No	Description	Remark	QTY	KIT
1	525 82 50-01	SCREW ITXSCM		2	
2	737 44 08-00	CIRCLIP		2	5, 6
3	597 29 22-01	BEARING KIT		1	5, 6
4	505 15 58-02	PISTON RING		1	5, 6
5	510 22 36-04	PISTON ASSY		1	6
6	597 02 44-01	CYLINDER ASSY		1	
7	597 02 10-01	GASKET KIT		1	

H 522HS75S
CRANKCASE



5

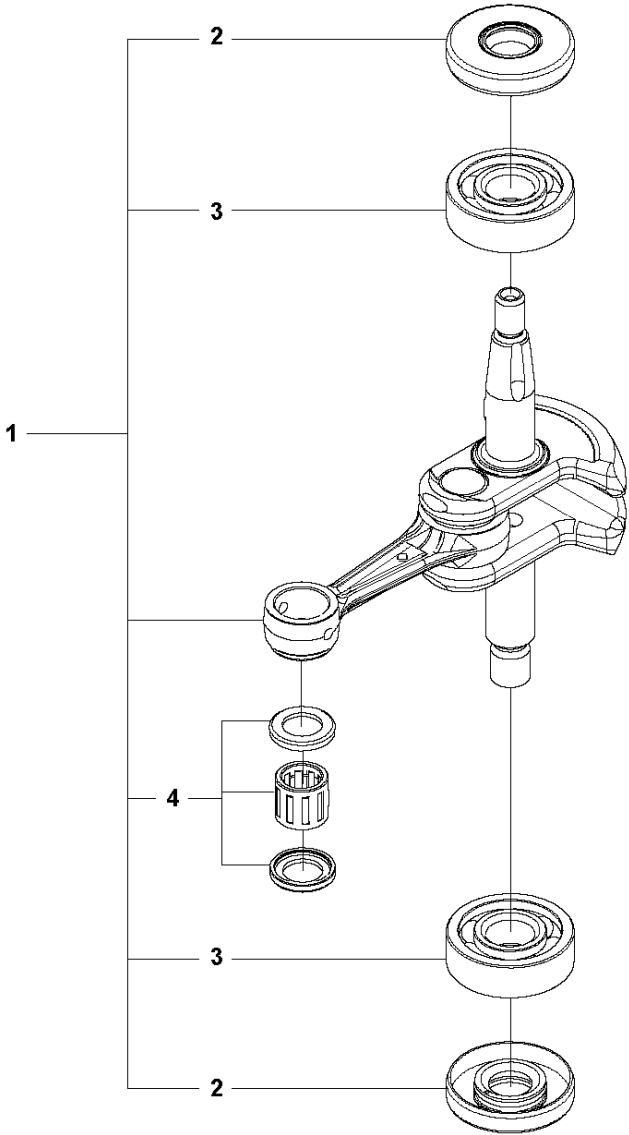


CRANKCASE

522 HS75 S

Ref	Part No	Description	Remark	QTY	KIT
1	597 02 36-01	CRANKCASE ASSY		1	
2	525 63 73-01	SEALING RING		2	1
3	525 82 50-01	SCREW ITXSCM		3	1
4	525 72 84-01	BALL BEARING		2	1
5	597 02 10-01	GASKET KIT		1	

**522HS75S
CRANK SHAFT**

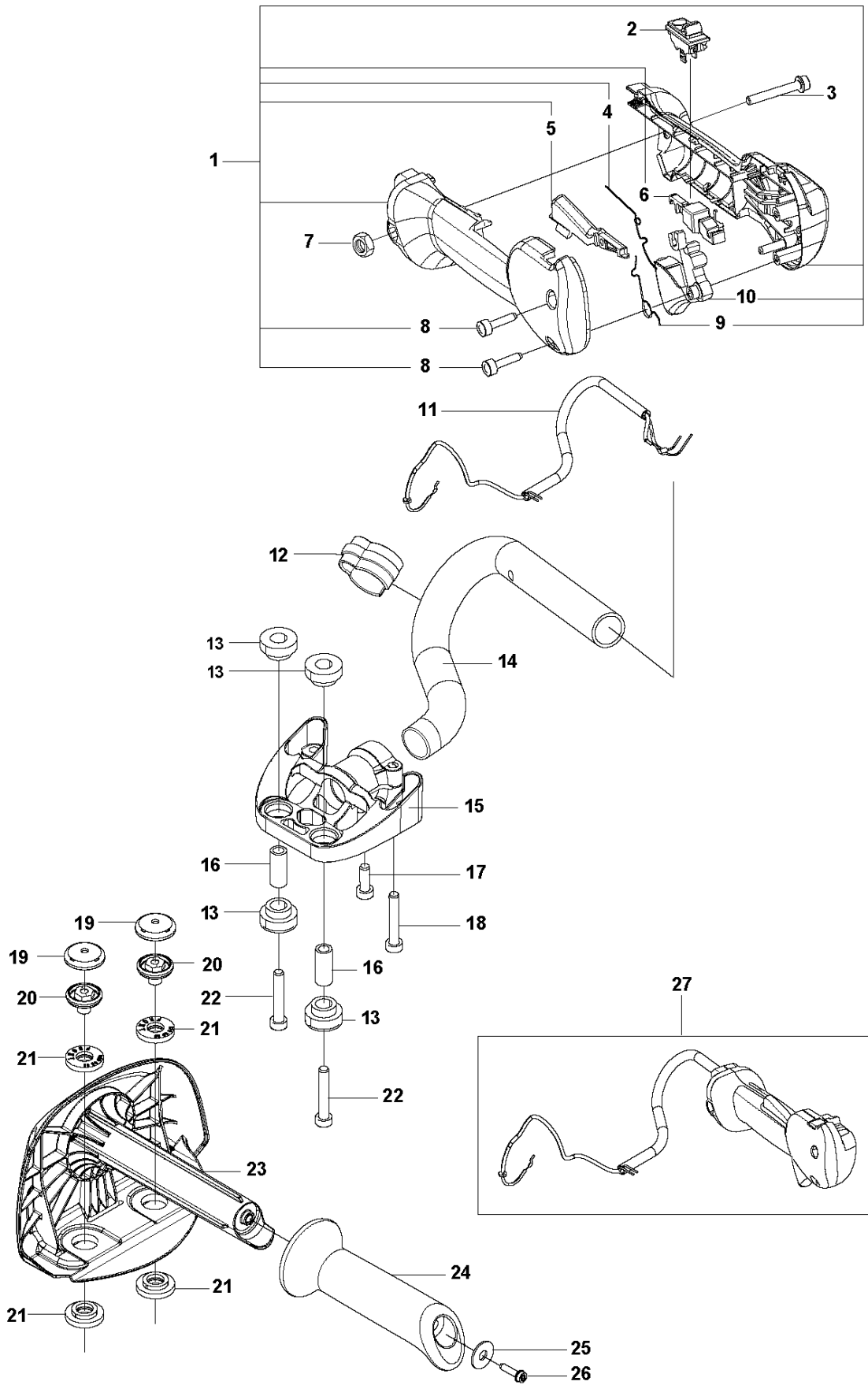


CRANKSHAFT

522 HS75 S

Ref	Part No	Description	Remark	QTY	KIT
1	577 67 00-02	CRANKSHAFT KIT		1	
2	525 63 73-01	SEALING RING		2	1
3	525 72 84-01	BALL BEARING		2	1
4	575 50 49-01	NEEDLE BEARING		1	1

J 522HS75S
HANDLE

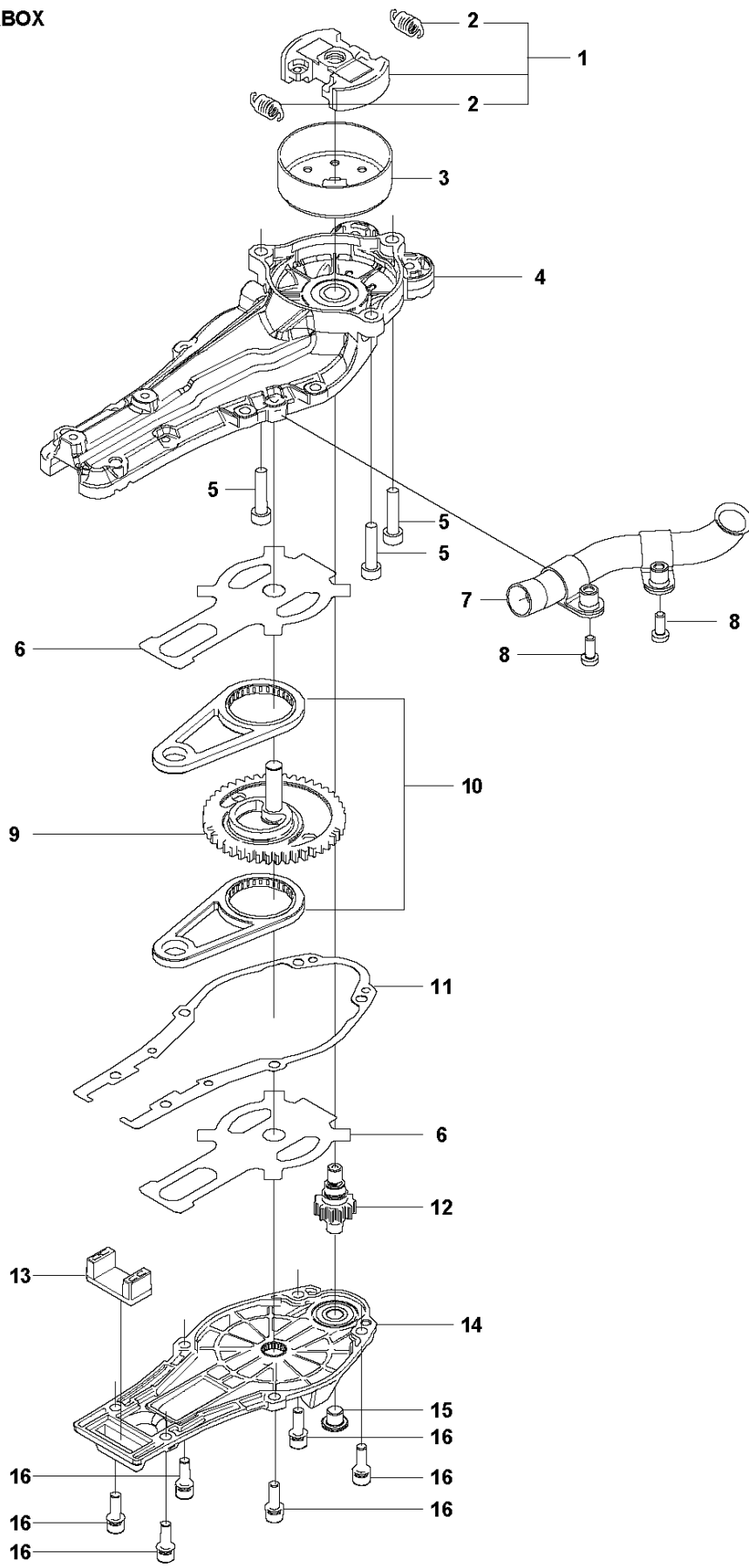


HANDLE & CONTROLS

522 HS75 S

Ref	Part No	Description	Remark	QTY	KIT
1	577 07 19-10	THROTTLE HANDLE ASSY		1	27
2	537 41 90-01	SWITCH		1	27
3	503 20 07-82	SCREW IHSCFM		1	27
4	537 17 43-01	SPRING		1	1, 27
5	506 49 51-01	THROTTLE LOCKOUT		1	1, 27
6	585 06 59-01	BUTTON		1	1, 27
7	503 22 10-13	HEXAGON NUT		1	27
8	503 21 66-74	SCREW IHSCF		1	1, 27
9	537 17 42-01	SPRING THROTTLE TRIG		1	1, 27
10	506 49 50-01	THROTTLE CONTROL		6	1, 27
11	592 72 69-01	WIRE		1	27
12	502 21 12-01	STAPLE		4	
13	506 68 65-01	ABSORBER		4	
14	590 78 47-01	HANDLEBAR		1	
15	590 72 37-01	BRACKET		1	
16	590 71 47-01	SLEEVE		2	
17	581 49 98-01	BOLT		1	
18	503 20 07-82	SCREW IHSCFM		1	
19	506 68 67-01	HUB CAP		2	
20	590 92 41-01	HOLDER		2	
21	525 63 36-01	ANTIVIBRATION ELEMENT		4	
22	544 21 84-05	SCREW ITXSCM		2	
23	590 71 32-01	FRONT HANDLE		1	
24	591 47 10-01	HANDLE GRIP		1	
25	503 23 00-35	WASHER		1	
26	521 51 81-01	SCREW		1	
27	577 07 19-07	THROTTLE HANDLE ASSY		1	

K 522HS75S
CLUTCH & GEARBOX

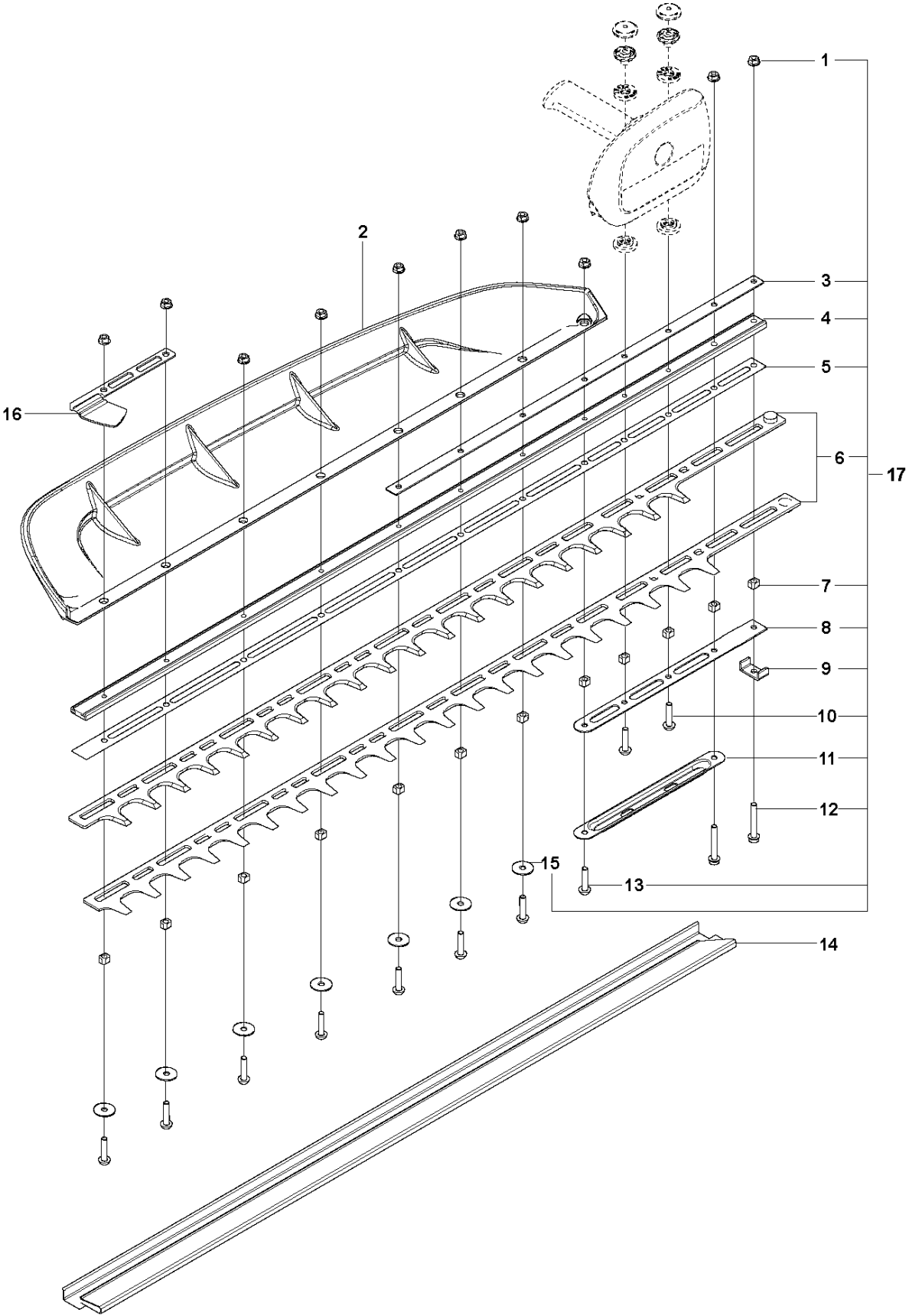


GEAR HOUSING

522 HS75 S

Ref	Part No	Description	Remark	QTY	KIT
1	582 19 31-01	CLUTCH ASSY		1	
2	590 81 96-01	CLUTCH SPRING		2	1
3	590 53 64-02	CLUTCH DRUM		1	
4	597 37 17-01	GEAR HOUSING ASSY		1	
5	544 21 84-03	SCREW ITXSCM		3	
6	590 53 69-01	PLATE		1	
7	591 04 69-01	EXHAUST PIPE ASSY		1	
8	525 75 51-01	SCREW ITXSCFM		2	
9	593 65 15-01	GEAR		1	
10	597 02 17-01	ROD		1	
11	590 53 77-01	GASKET		1	
12	590 53 67-01	GEAR		1	
13	590 53 71-01	SEALING		1	
14	597 37 18-01	GEAR HOUSING ASSY		1	
15	590 64 94-01	SCREW PLUG		1	
16	575 70 10-01	SCREW		6	

L 522HS75S
CUTTING EQUIPMENT

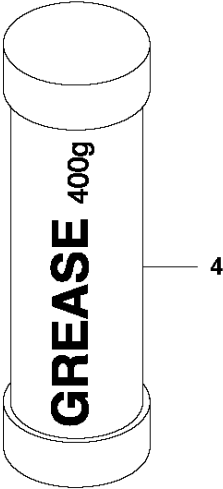
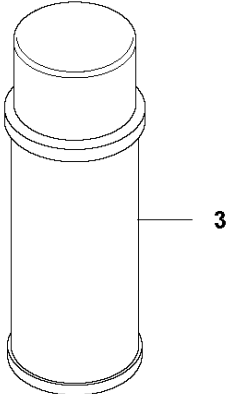
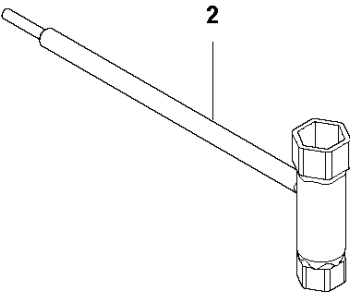
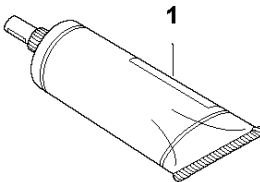


CUTTING EQUIPMENT

522 HS75 S

Ref	Part No	Description	Remark	QTY	KIT
1	592 75 13-01	NUT		10	17
2	590 34 01-01	PLATE		1	
3	592 84 87-01	BAR PLATE		1	17
4	590 32 71-02	GUIDE BAR		1	17
5	590 32 76-01	WEAR PLATE		1	17
6	597 02 37-01	BLADE KIT		1	17
7	592 65 43-01	SPACER		12	17
8	590 32 82-01	BAR PLATE		1	17
9	590 33 93-01	BRACKET		1	17
10	525 75 51-04	SCREW ITXSCFM		2	17
11	592 88 94-01	BAR PLATE		1	17
12	525 75 51-09	SCREW ITXSCFM		2	17
13	592 73 25-01	SCREW		8	17
14	590 71 30-01	TRANSPORT GUARD		1	
15	592 73 81-01	WASHER		7	17
16	590 71 27-01	PROTECTION		1	
17	597 25 43-04	CUTTING DECK KIT		1	17

M 522HS75S
ACCESSORIES



ACCESSORIES

522 HS75 S

Ref	Part No	Description	Remark	QTY KIT
1	577 76 56-01	GREASE		1
2	575 73 82-01	COMBINATION WRENCH		1
3	544 14 21-01	GREASE	UL21	1
4	588 81 48-01	GREASE		1