

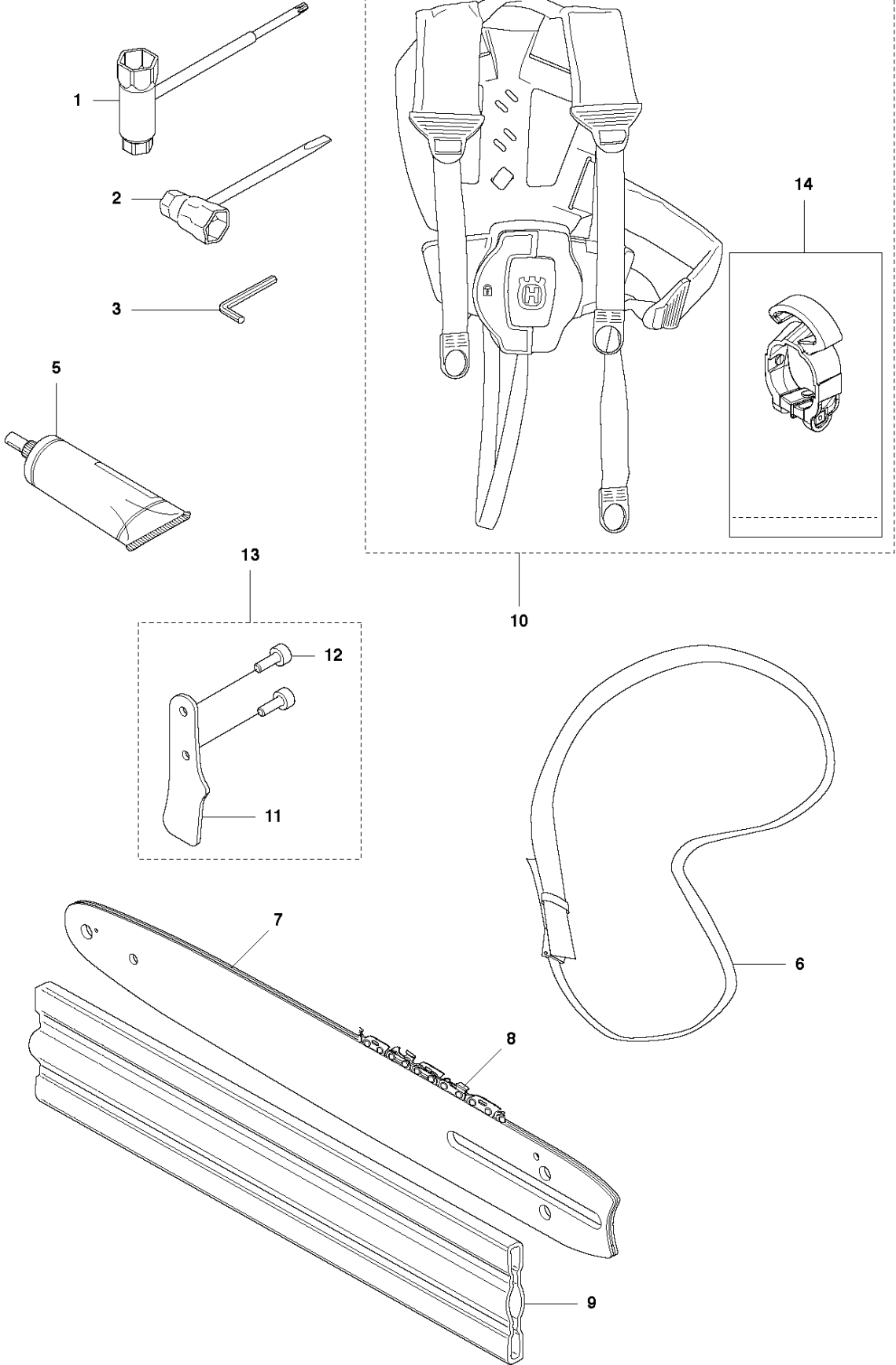


# SPARE PARTS LIST

POLE PRUNER/POLE SAWS

525 PT5S

**N** 525PT5S  
ACCESSORIES

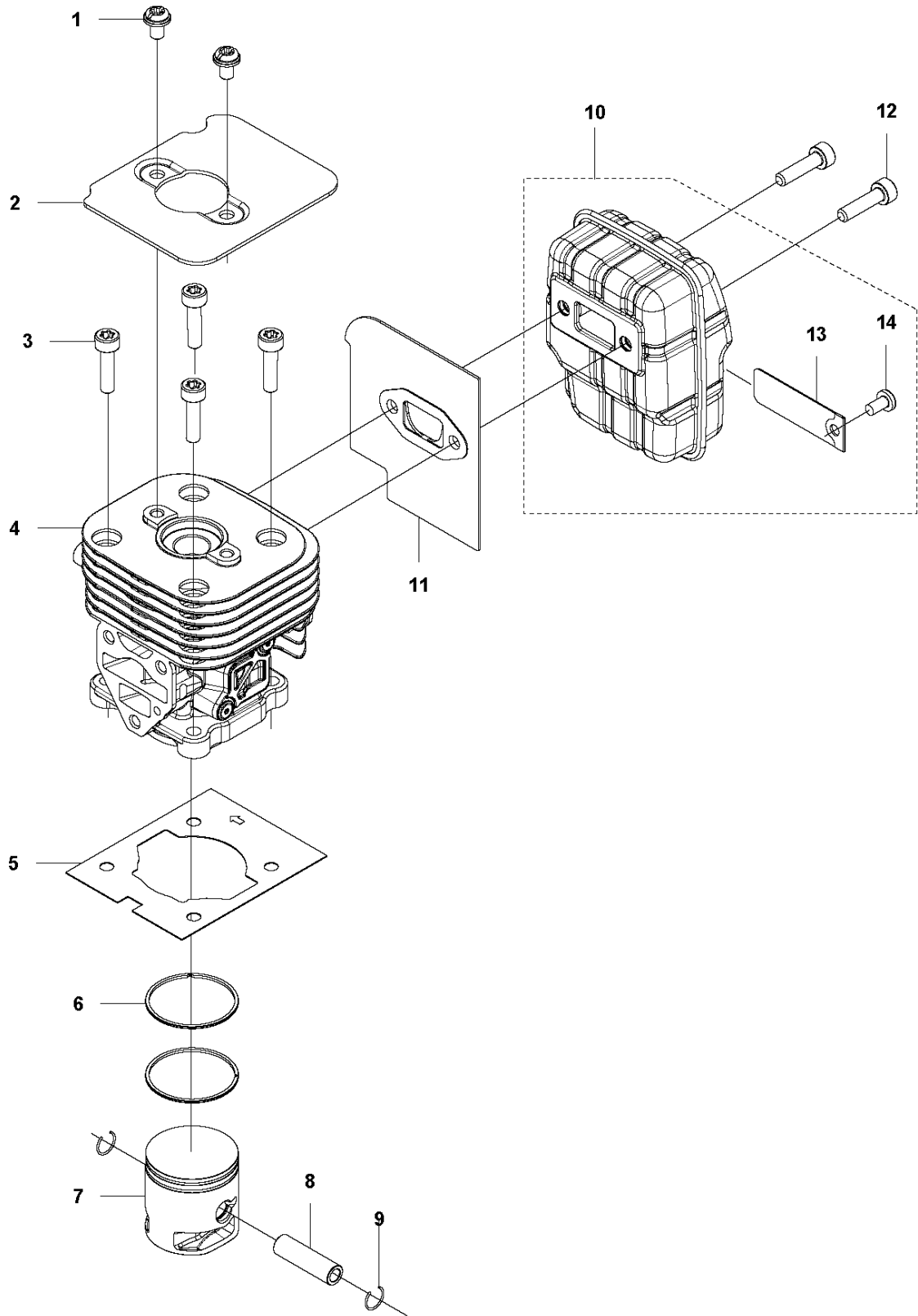


## ACCESSORIES

525 PT5S

Ref	Part No	Description	Remark	QTY	KIT
1	575 73 82-02	COMBINATION WRENCH		1	
2	501 69 17-01	COMBINATION WRENCH		1	
3	503 55 86-01	SPANNER		1	
5	579 06 49-01	GREASE	100 g	1	
6	537 21 62-03	HARNESS		1	
7	575 84 22-58	BAR	"10"" , 1/4"" - 1,3 mm"	1	
7	575 84 22-64	BAR	"12"" , 1/4"" - 1,3 mm"	1	
7	585 82 91-44	BAR	"12"" 3/8"" mini 1,3mm"	1	
8	501 84 40-58	SAW CHAIN	"10"" , 1/4"" - 1,3mm. 58DL"	1	
8	501 84 40-64	SAW CHAIN	"12"" , 1/4"" - 1,3 mm. 64DL"	1	
8	591 10 84-44	SAW CHAIN	"12"" 3/8"" mini 1,3" (US only)	1	
9	537 12 99-01	BAR GUARD		1	
10	578 44 99-01	HARNESS	Balance flex	1	
11	574 83 01-01	SHEET		1	13
12	574 35 35-05	SCREW ITXSCM		2	13
13	588 19 77-01	HOOK	Kit	1	
14	579 83 41-01	ACCESSORY BAG	To be used with Harness 578 44 99-01	1	

**K** 525PT5S  
CYLINDER PISTON & MUFFLER

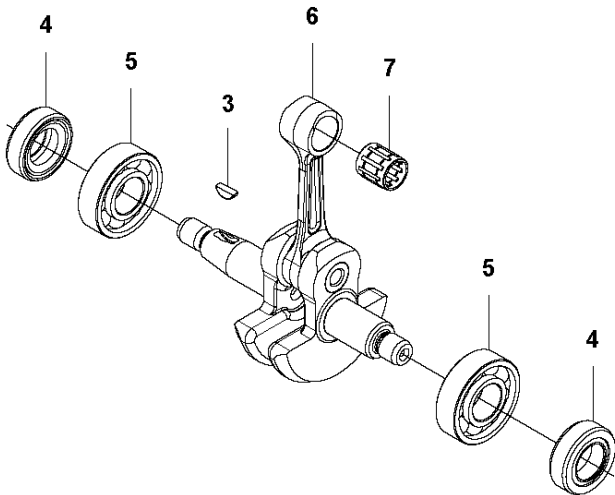
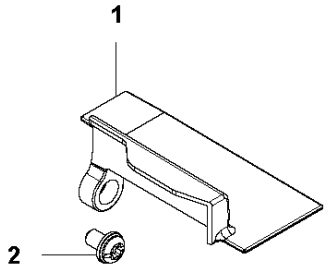


## CYLINDER, PISTON &amp; MUFFLER

525 PT5S

Ref	Part No	Description	Remark	QTY	KIT
1	544 25 68-01	SCREW		2	
2	578 78 53-01	PLATE		1	
3	504 11 43-01	SCREW		4	
4	577 97 90-01	CYLINDER		1	
5	576 39 87-02	GASKET		1	
6	506 61 81-01	RING		2	
7	577 91 74-01	PISTON		1	
8	505 04 07-01	PIN		1	
9	505 04 52-01	RING		2	
10	585 24 86-01	MUFFLER		1	
10	580 52 36-01	MUFFLER ASSY	USA	1	
10	585 03 29-01	MUFFLER ASSY	Australia / New Zealand	1	
11	578 40 81-01	GASKET		1	
12	504 11 43-01	SCREW		2	
13	580 51 44-01	SPARK ARRESTER		1	10
14	729 57 74-05	SCREW CRPANT		1	10

**L** 525PT5S  
CRANKSHAFT

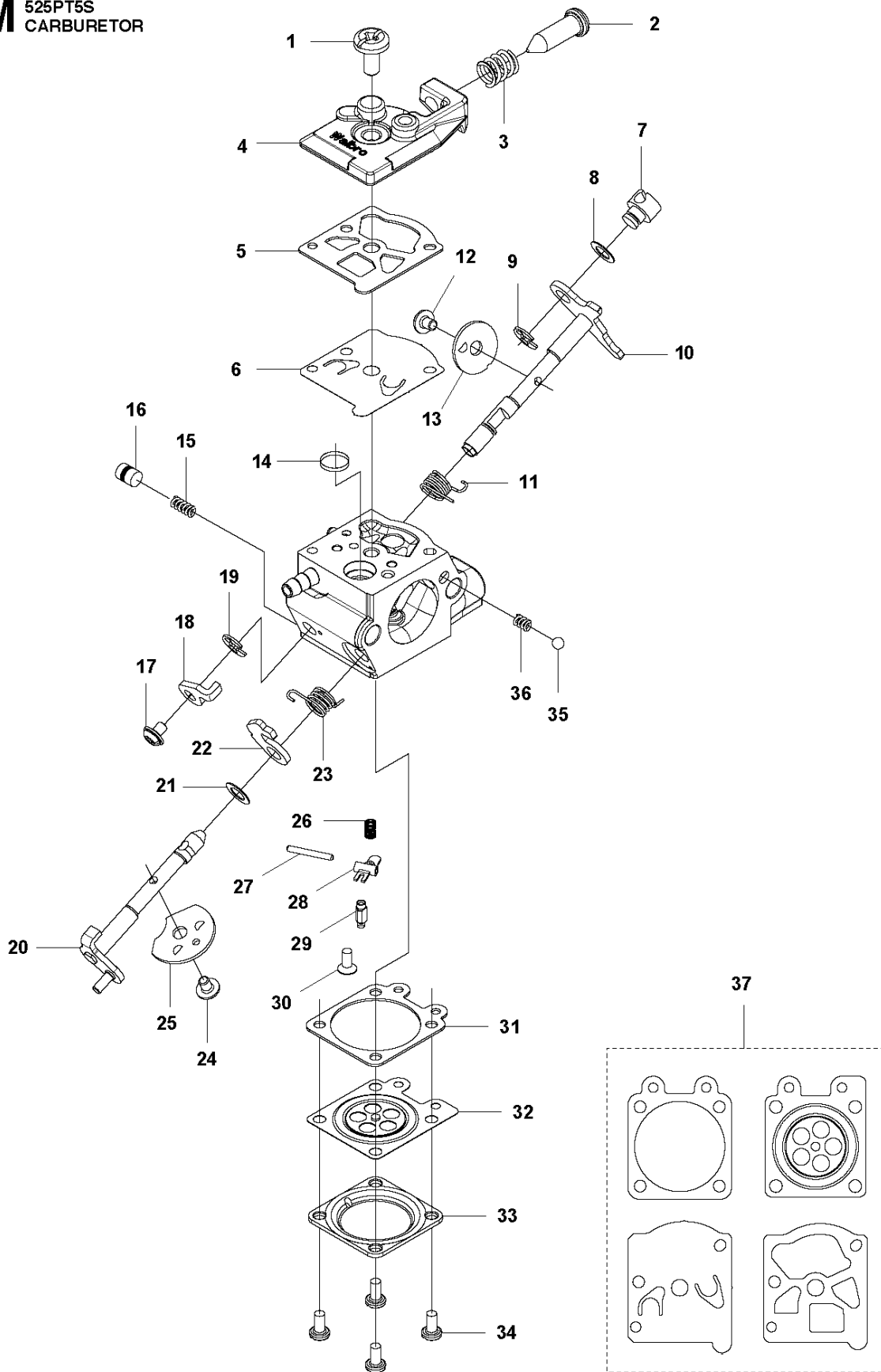


CRANKSHAFT

525 PT5S

Ref	Part No	Description	Remark	QTY KIT
1	576 40 46-01	MUFFLER		1
2	544 25 68-01	SCREW		1
3	506 68 94-01	KEY		1
4	504 12 15-01	SEALING		2
5	506 61 03-01	BEARING		2
6	579 22 32-01	CRANKSHAFT		1
7	576 40 27-01	BEARING		1

**M** 525PT5S  
CARBURETOR



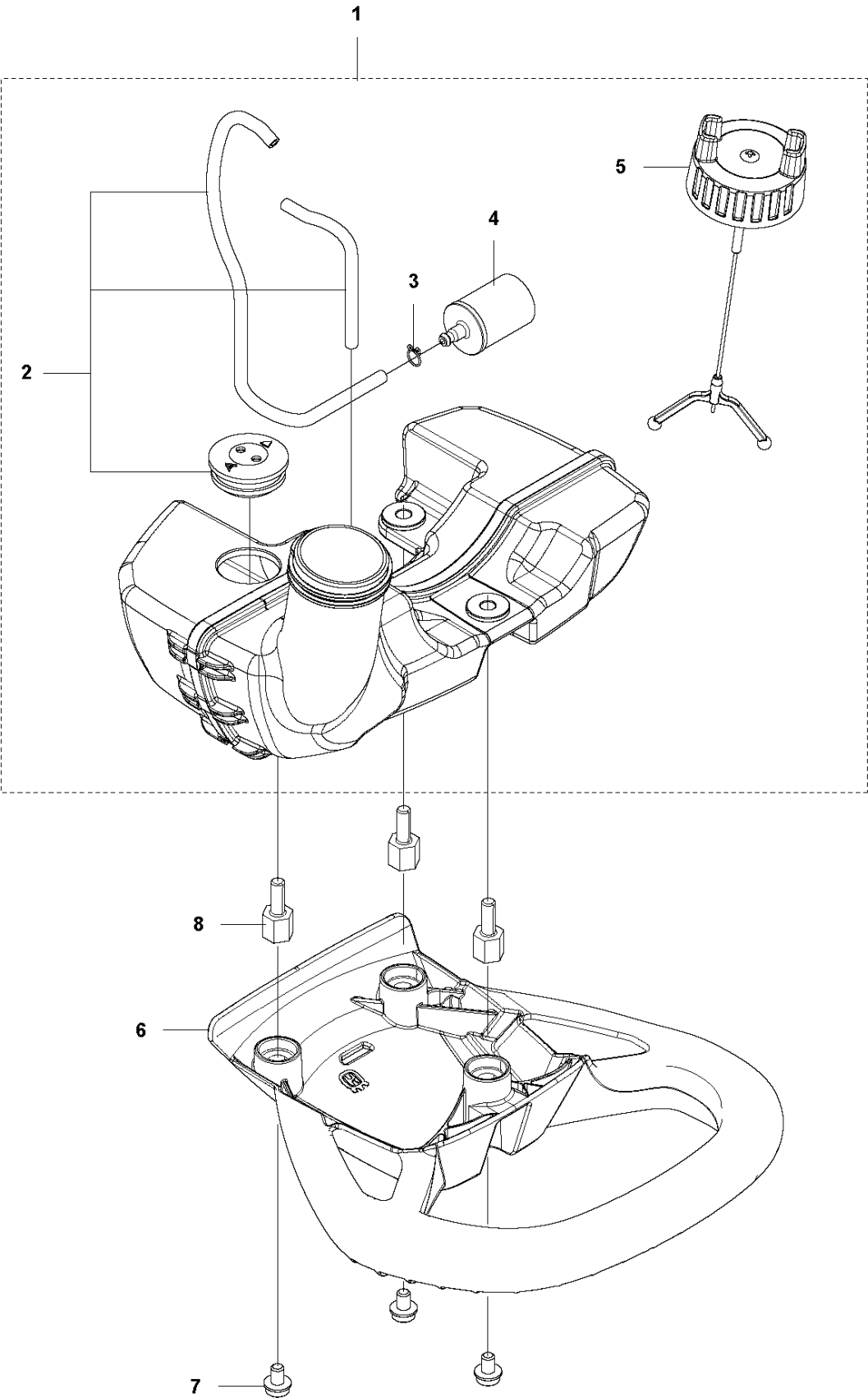


## CARBURETOR

525 PT5S

Ref	Part No	Description	Remark	QTY KIT
1	520 97 63-01	SCREW		1
2	577 81 57-01	SCREW		1
3	513 59 32-01	SPRING		1
4	579 19 06-01	COVER		1
5	520 95 48-01	GASKET		1
6	502 21 36-01	DIAPHRAGM PUMP		1
7	513 40 08-01	SWIVEL		1
8	516 52 42-01	WASHER		1
9	506 73 86-01	RETAINER RING		1
10	579 19 07-01	SHAFT		1
11	577 81 55-01	SPRING		1
12	520 75 98-01	SCREW		1
13	520 97 86-01	VALVE		1
14	520 95 70-01	SCREEN		1
15	505 05 79-01	SPRING		1
16	584 90 12-01	PISTON ASSY		1
17	520 75 98-01	SCREW		1
18	579 19 08-01	LEVER		1
19	505 05 65-01	RING		1
20	579 19 10-01	SHAFT		1
21	516 52 42-01	WASHER		1
22	584 90 13-01	LEVER		1
23	579 19 11-01	SPRING		1
24	520 75 98-01	SCREW		1
25	581 15 49-01	VALVE		1
26	578 89 54-01	SPRING		1
27	520 97 74-01	PIN		1
28	577 80 72-01	LEVER		1
29	521 08 54-01	VALVE.INLET		1
30	577 80 71-01	SCREW		1
31	516 97 21-01	GASKET		1
32	577 80 70-01	DIAPHRAGM		1
33	514 18 92-01	COVER		1
34	520 97 88-01	SCREW ASSY		4
35	514 24 26-01	BALL		1
36	514 24 33-01	SPRING.CHOKE		1
37	580 68 48-01	GASKET KIT	Coomopes by item 5, 6, 31 and 32	1

**H** 525PT5S  
FUEL TANK

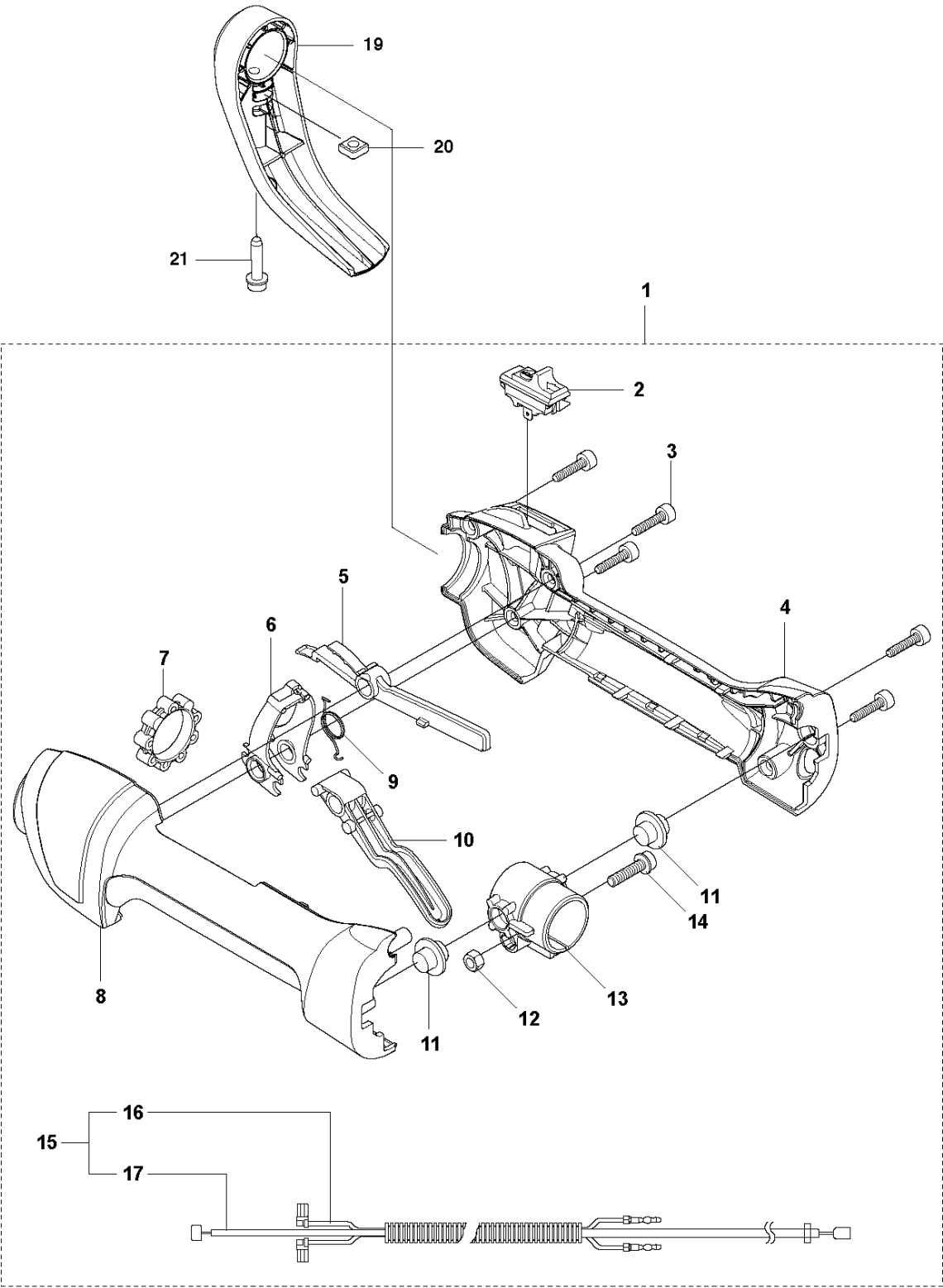


## FUEL TANK

525 PT5S

Ref	Part No	Description	Remark	QTY	KIT
1	576 40 51-01	FUEL TANK		1	
1	576 40 51-02	FUEL TANK	Australia / New Zealand	1	
2	579 21 03-02	HOSE ASSY		1	1
2	577 50 99-03	PIPE	Australia / New Zealand	1	
3	506 70 70-01	CLIP		1	1
4	503 44 32-01	FUEL FILTER		1	1
5	579 64 57-03	TANK CAP		1	1
6	587 36 59-01	BUMPER		1	
7	525 75 51-08	SCREW ITXSCFM		3	
8	587 61 56-01	STUD SCREW		3	

**C** 525PT5S  
THROTTLE CONTROLS

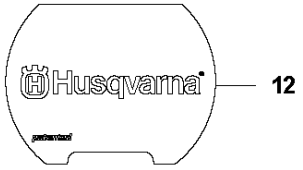
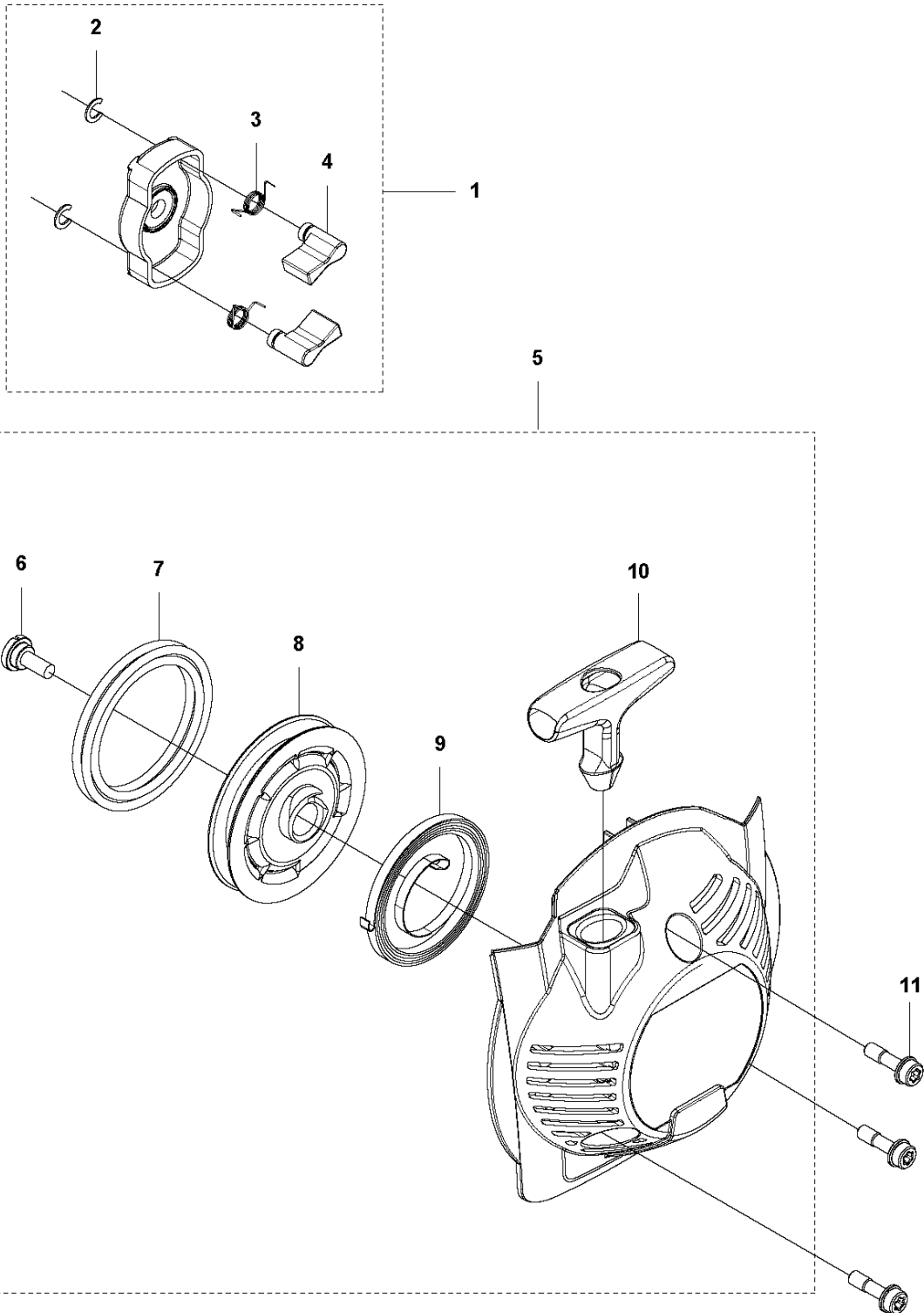


## THROTTLE CONTROLS

525 PT5S

Ref	Part No	Description	Remark	QTY	KIT
1	578 27 95-01	THROTTLE CONTROL	L, LS, LST, RJX	1	
1	578 27 95-02	THROTTLE CONTROL	LK, RJD, (LST Australia)	1	
2	537 41 90-01	SWITCH		1	1
3	575 96 05-01	SCREW IH SCT		5	1
4	544 23 84-01	HANDLE HALF	L, LS, LST, RJX	1	1
4	544 10 02-02	HANDLE HALF	LK, RJD, (LST Australia)	1	1
5	503 87 80-01	THROTTLE LOCKOUT		1	1
6	503 91 81-01	THROTTLE LEVER		1	1
7	503 96 14-01	ABSORBER		1	1
8	544 23 85-01	HANDLE HALF	L, LS, LST, RJX	1	1
8	544 10 03-02	HANDLE HALF	LK, RJD, (LST Australia)	1	1
9	544 10 08-01	RECOIL SPRING		1	1
10	503 87 79-03	THROTTLE TRIGGER		1	1
11	544 10 17-03	DAMPER	L, LS, LST, RJX	2	1
11	544 10 17-02	DAMPER	LK, RJD, (LST Australia)	2	1
12	731 23 14-01	HEXAGON NUT		1	1
13	544 11 21-01	RETAINER		1	1
14	506 68 90-01	BOLT		1	1
15	578 27 96-01	WIRING		1	1
16	502 53 16-01	SHORT CIRCUIT CABLE		1	1, 15
17	578 86 78-01	THROTTLE CABLE		1	1, 15
19	523 06 26-01	TRIGGER	GUARD	1	
20	503 22 65-01	SQUARE NUT		1	
21	579 86 56-01	SCREW ITXSCFM		1	

**F** 525PT5S  
STARTER

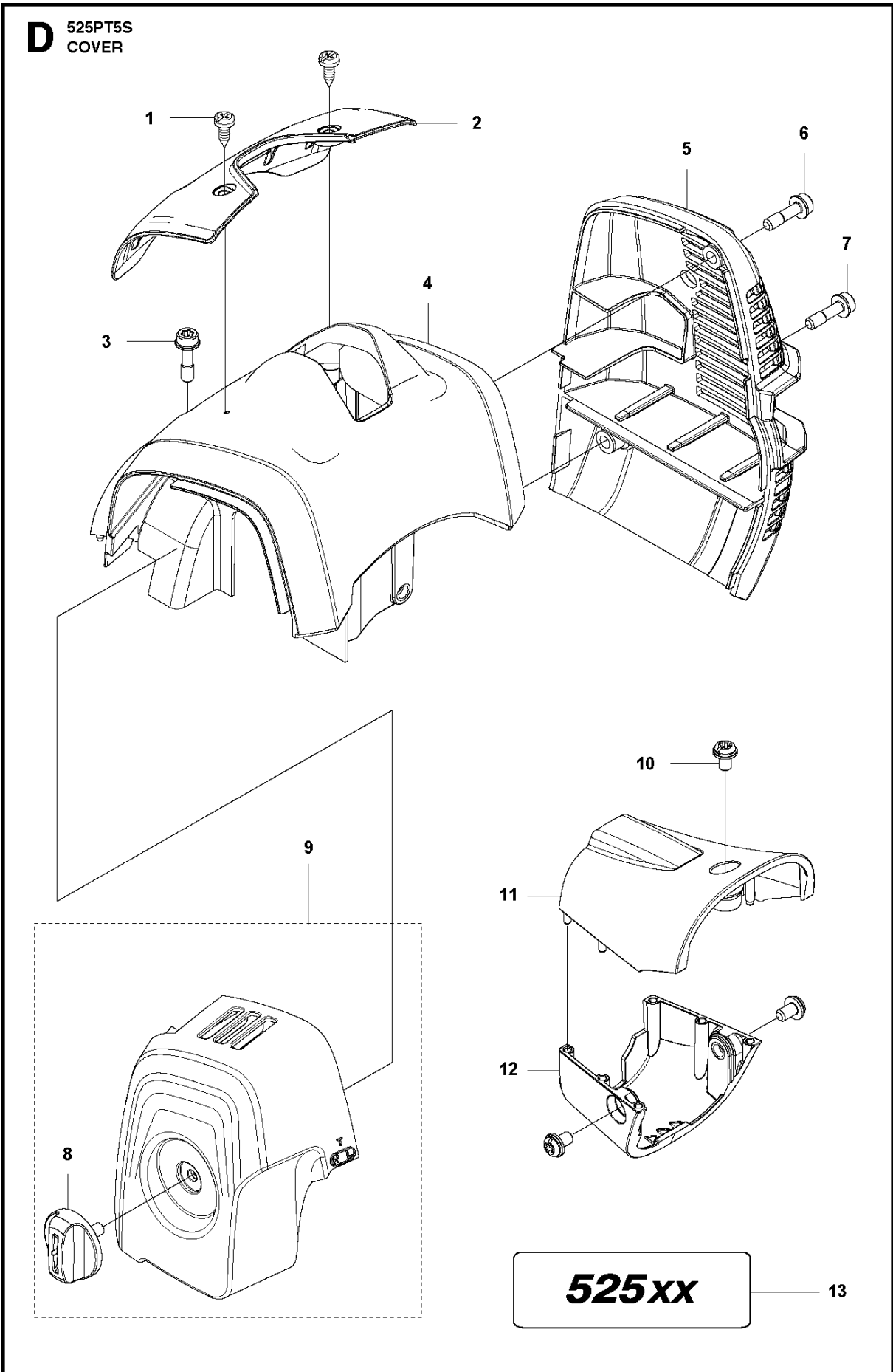


## STARTER

525 PT5S

Ref	Part No	Description	Remark	QTY	KIT
1	581 14 65-01	STARTER PULLEY		1	
2	521 60 04-01	E-RING		2	1
3	521 60 03-01	SPRING		2	1
4	521 60 02-01	RATCHET		2	1
5	578 99 25-01	STARTER		1	
6	506 61 30-01	SCREW		1	5
7	579 06 46-01	ROPE		1	5
8	579 06 48-01	STARTER PULLEY		1	5
9	504 11 50-01	SPIRAL SPRING		1	5
10	575 48 95-01	STARTER HANDLE		1	5
11	577 81 54-01	BOLT		3	
12	579 36 96-01	DECAL		1	

**D** 525PT5S  
COVER



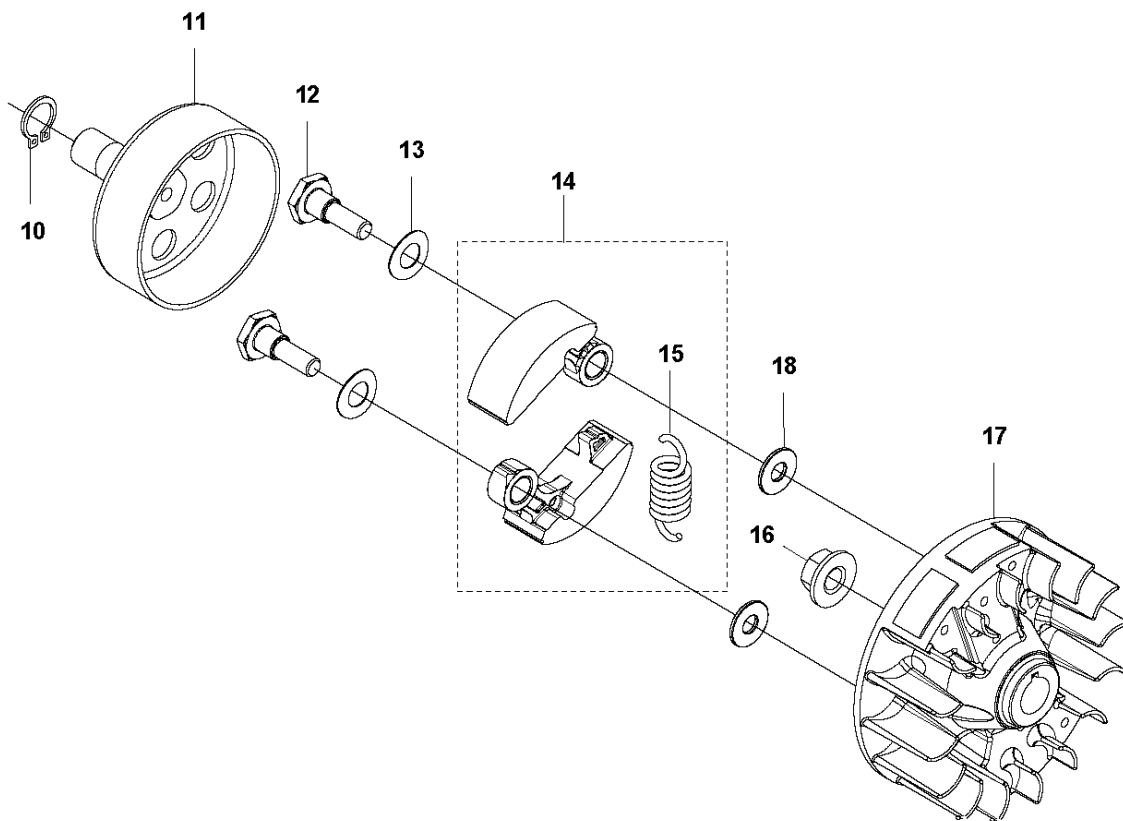
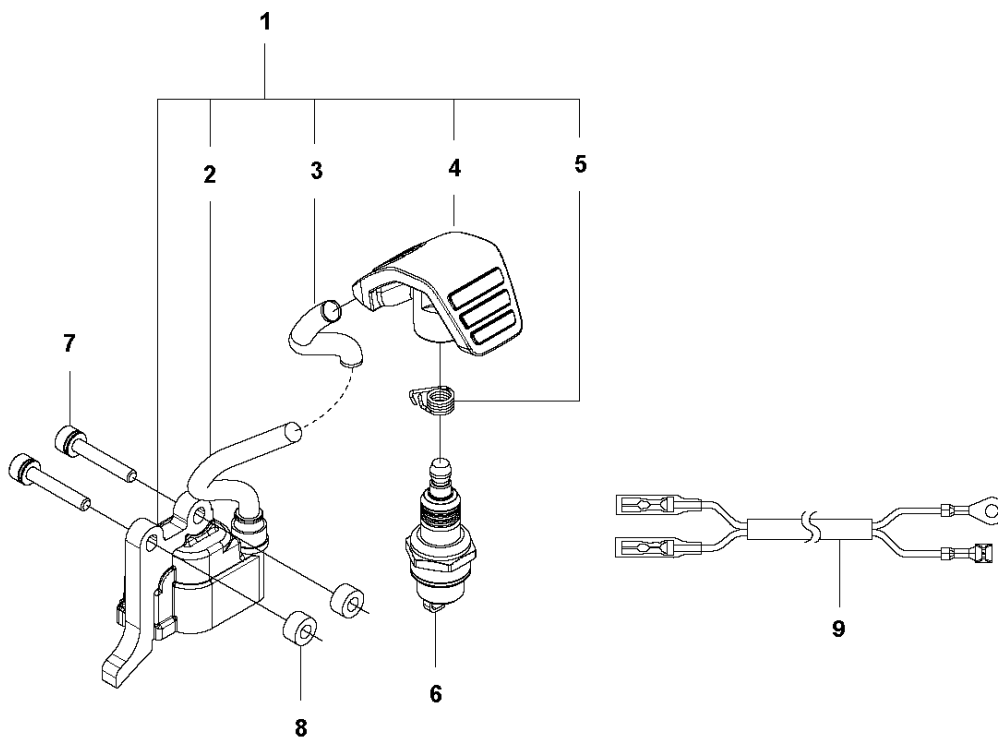


## COVER

525 PT5S

Ref	Part No	Description	Remark	QTY	KIT
1	503 21 35-12	SCREW CCRPANT		2	
2	576 40 45-01	ARM PROTECTION		1	
3	577 81 54-01	BOLT		1	
4	592 81 09-01	CYLINDER COVER		1	
5	576 40 47-01	MUFFLER GUARD		1	
6	577 81 54-01	BOLT		1	
7	577 81 54-01	BOLT		1	
8	576 99 24-02	KNOB		1	9
9	581 04 73-01	FILTER COVER ASSY		1	
10	544 25 68-01	SCREW		3	
11	577 84 82-01	COVER	524L, 525L, LS, LST, RJD	1	
11	577 85 11-01	COVER	RS	1	
12	577 84 81-01	COVER	524L, 525L, LS, LST, RJD	1	
12	577 85 10-01	COVER	RS	1	
13	579 44 58-06	DECAL	525L	1	

**J** 525PT5S  
IGNITION SYSTEM & CLUTCH

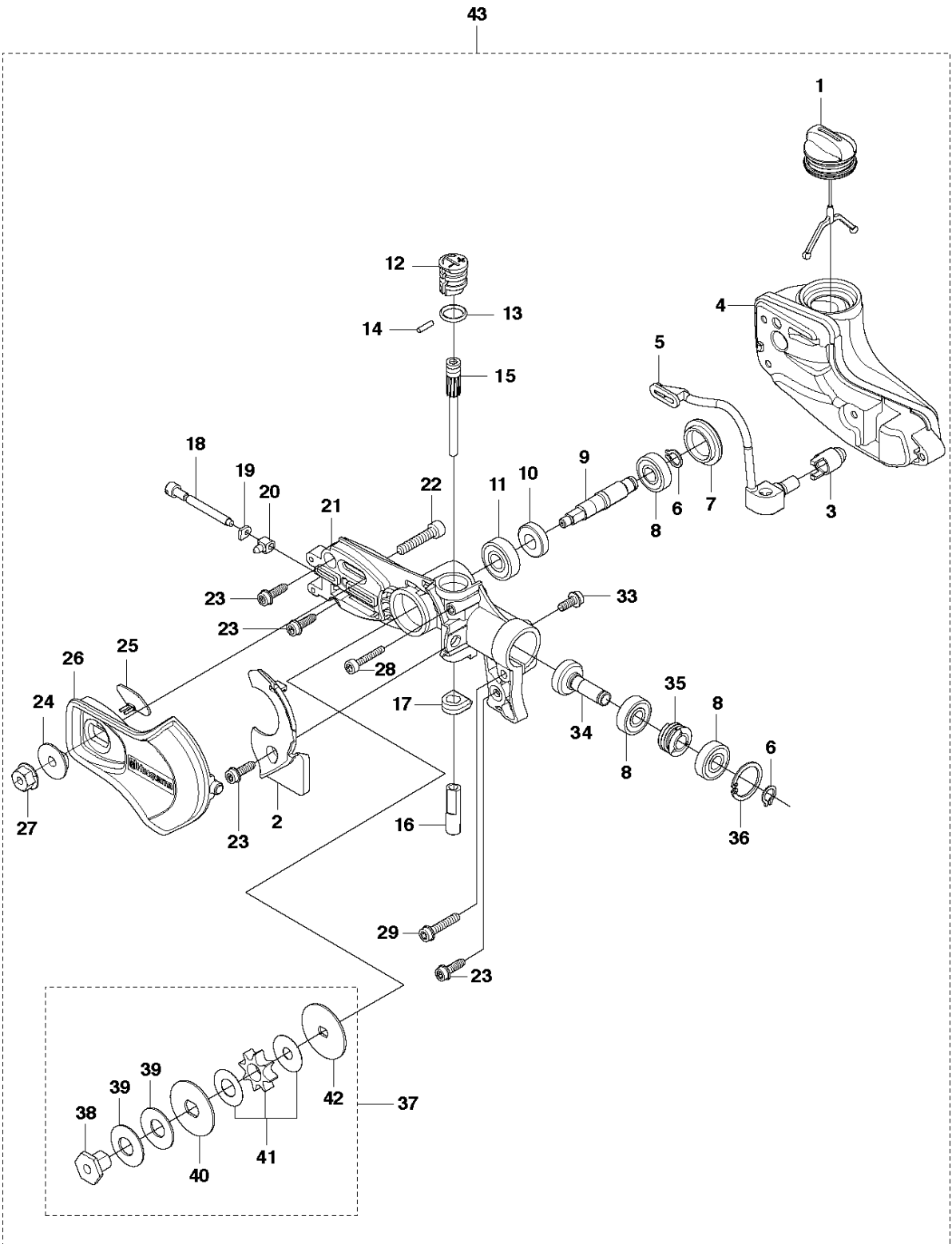


## IGNITION SYSTEM &amp; CLUTCH

525 PT5S

Ref	Part No	Description	Remark	QTY	KIT
1	588 14 15-01	IGNITION COIL		1	
2	584 82 66-01	IGNITION CABLE		1	1
3	579 59 07-01	TUBE		1	1
4	586 10 72-01	SPARK PLUG CAP		1	1
5	580 63 48-01	SPRING		1	1
6	584 96 81-01	SPARK PLUG	BPMR-8Y : NGK	1	
7	521 51 58-01	BOLT		2	
8	521 76 97-01	SPACER		2	
9	577 85 17-01	SHORT CIRCUIT CABLE		1	
10	516 12 41-01	SNAP RING		1	
11	581 14 20-01	CLUTCH DRUM		1	
12	513 18 96-01	SCREW		2	
13	521 75 82-01	WASHER		2	
14	577 05 28-01	CLUTCH ASSY		1	
15	576 40 07-01	CLUTCH SPRING		1	14
16	504 11 80-01	NUT		1	
17	578 96 78-01	FLYWHEEL		1	
18	505 05 44-01	WASHER		2	

**A** 525PT5S  
SAW HEAD

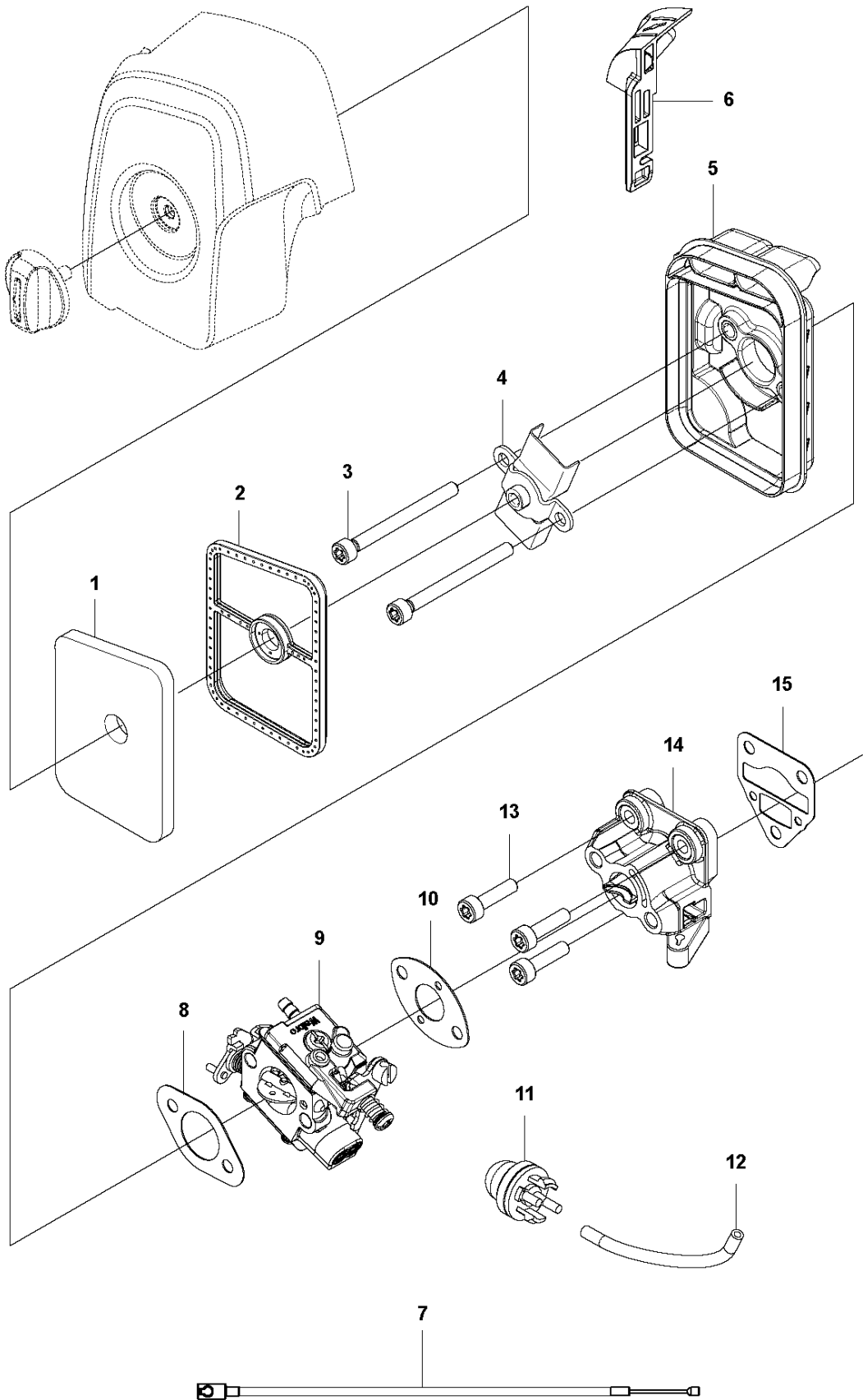


## SAW HEAD

525 PT5S

Ref	Part No	Description	Remark	QTY	KIT
1	577 87 86-03	TANK CAP ASSY		1	43
2	525 61 31-01	COVER		1	43
3	510 04 43-01	OIL SCREEN		1	43
4	577 66 70-01	OIL TANK		1	43
5	525 49 06-01	OIL HOSE		1	43
6	735 31 11-00	CIRCLIP		2	43
7	574 82 98-01	COVER		1	43
8	738 21 99-04	BALL BEARING		3	43
9	525 49 04-01	SHAFT		1	43
10	575 35 56-01	GEAR WHEEL		1	43
11	738 21 00-04	BALL BEARING		1	43
12	525 48 16-01	KNOB		1	43
13	740 43 10-14	O-RING		1	43
14	503 24 09-11	NEEDLE ROLLER		1	43
15	540 05 79-01	PUMP PISTON		1	43
16	537 15 48-01	PUMP CYLINDER		1	43
17	576 39 59-01	FASTENER		1	43
18	501 81 92-01	SCREW		1	43
19	501 45 27-02	LOCK NUT		1	43
20	501 45 41-01	NUT		1	43
21	523 85 37-02	GEAR HOUSING		1	43
22	576 83 10-01	SCREW IHSCM		1	43
23	573 92 58-01	SCREW ITXSCFT		3	43
24	525 49 07-01	BUSHING		1	43
25	574 40 47-01	RUBBER		1	43
26	525 48 14-01	COVER		1	43
27	503 22 00-07	HEXAGON NUT		4	43
28	525 76 09-05	SCREW ITXSCM		1	43
29	525 75 51-04	SCREW ITXSCFM		1	43
33	525 75 51-05	SCREW ITXSCFM		1	43
34	575 35 55-01	PINION		1	43
35	525 48 97-01	WORM GEAR		1	43
36	735 31 25-10	CIRCLIP		1	43
37	585 48 31-01	SPROCKET	"for 1/4"" Chain"	1	43
37	585 48 31-02	SPROCKET	"for 3/8"" chain" (US only)	1	43
38	580 76 04-01	NUT		1	37, 43
39	581 12 61-01	DISC SPRING		2	37, 43
40	576 74 00-02	WASHER		1	37, 43
41	582 87 22-01	SPROCKET	"for 1/4"" Chain"	1	37, 43
41	582 87 22-02	SPROCKET	"for 3/8"" chain" (US only)	1	37, 43
42	576 74 00-01	WASHER		1	43
43	575 78 43-09	POLE SAW HEAD	"for 1/4"" Chain"	1	
43	575 78 43-10	POLE SAW HEAD	"for 3/8"" chain" (US only)	1	

**E** 525PT5S  
CARBURETOR & AIR FILTER

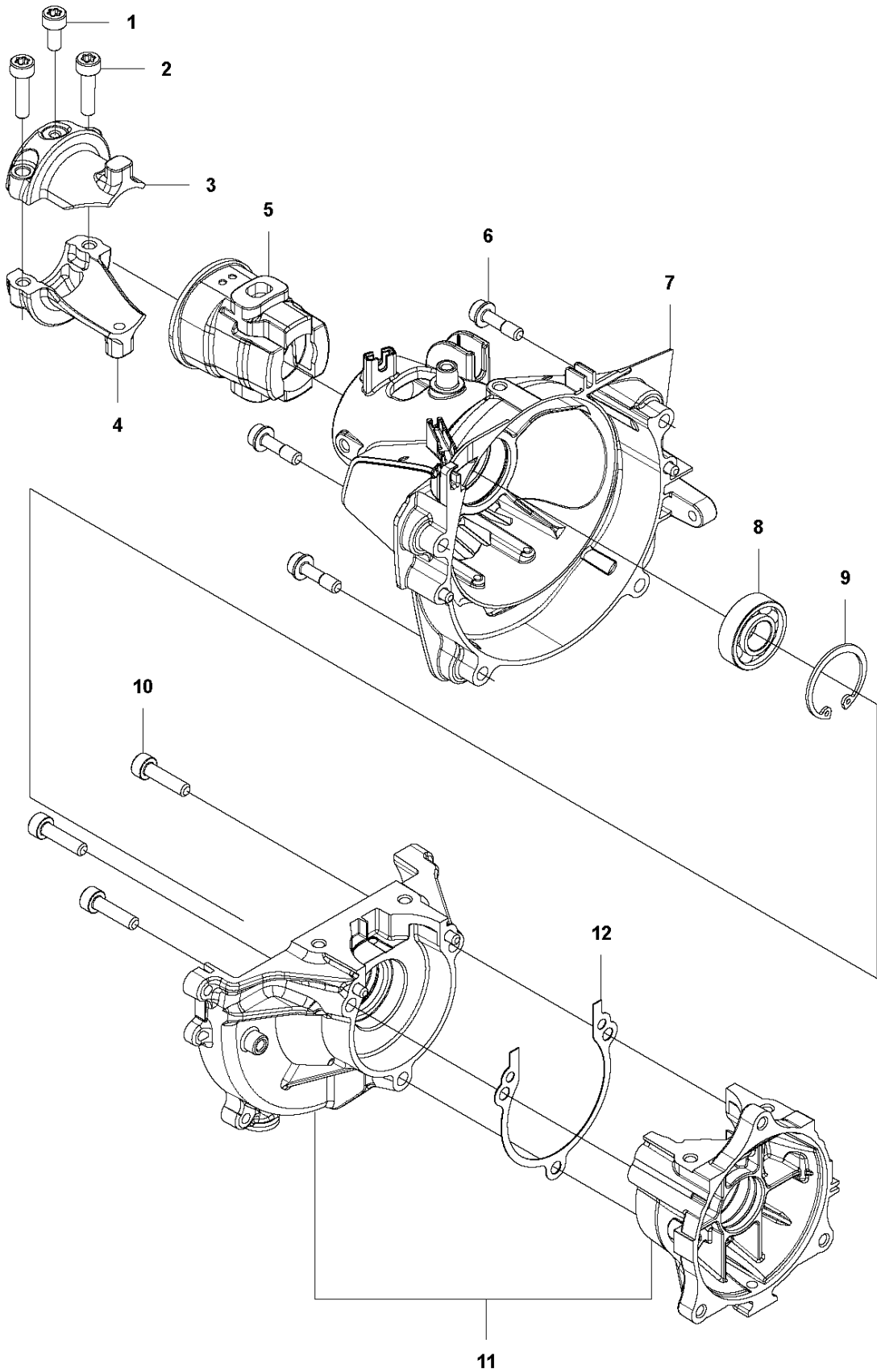


## CARBURETOR &amp; AIR FILTER

525 PT5S

Ref	Part No	Description	Remark	QTY KIT
1	581 04 74-01	AIR FILTER		1
2	581 45 18-01	AIR FILTER		1
3	580 46 72-01	BOLT		2
4	580 43 79-01	PLATE		1
5	581 04 70-01	FILTER HOUSING		1
6	577 84 83-01	CHOKE CONTROL		1
7	590 90 00-01	THROTTLE CABLE		1
8	577 88 24-02	GASKET		1
9	584 90 14-01	CARBURETTOR		1
10	576 39 91-02	GASKET		1
11	503 93 66-01	PURGE		1
12	577 05 05-01	PIPE		1
13	504 11 43-01	SCREW		3
14	578 90 83-01	INSULATOR		1
15	576 39 89-01	GASKET		1

**G** 525PT5S  
CRANKCASE

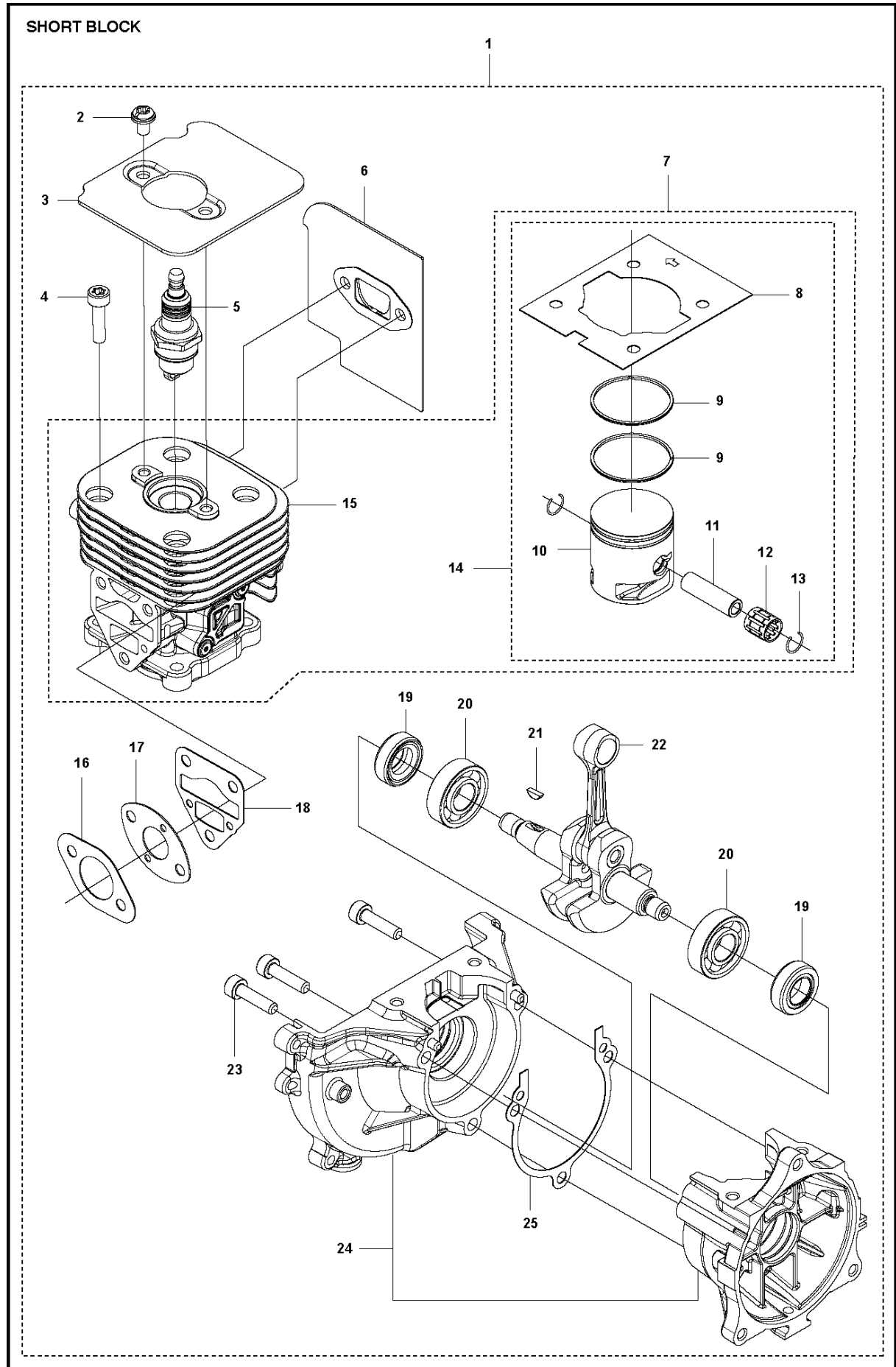




CRANKCASE

525 PT5S

Ref	Part No	Description	Remark	QTY KIT
1	525 82 49-14	SCREW ITXSCM		1
2	577 94 20-01	BOLT		2
3	576 42 07-02	BRACKET		1
4	576 42 08-02	BRACKET		1
5	576 42 05-01	CUSHION		1
6	577 81 54-01	BOLT		4
7	588 56 77-01	HOUSING		1
8	525 95 32-01	BEARING		1
9	506 60 99-01	SNAP RING		1
10	504 11 43-01	SCREW		3
11	581 30 86-02	CRANKCASE		1
12	576 39 95-02	GASKET		1

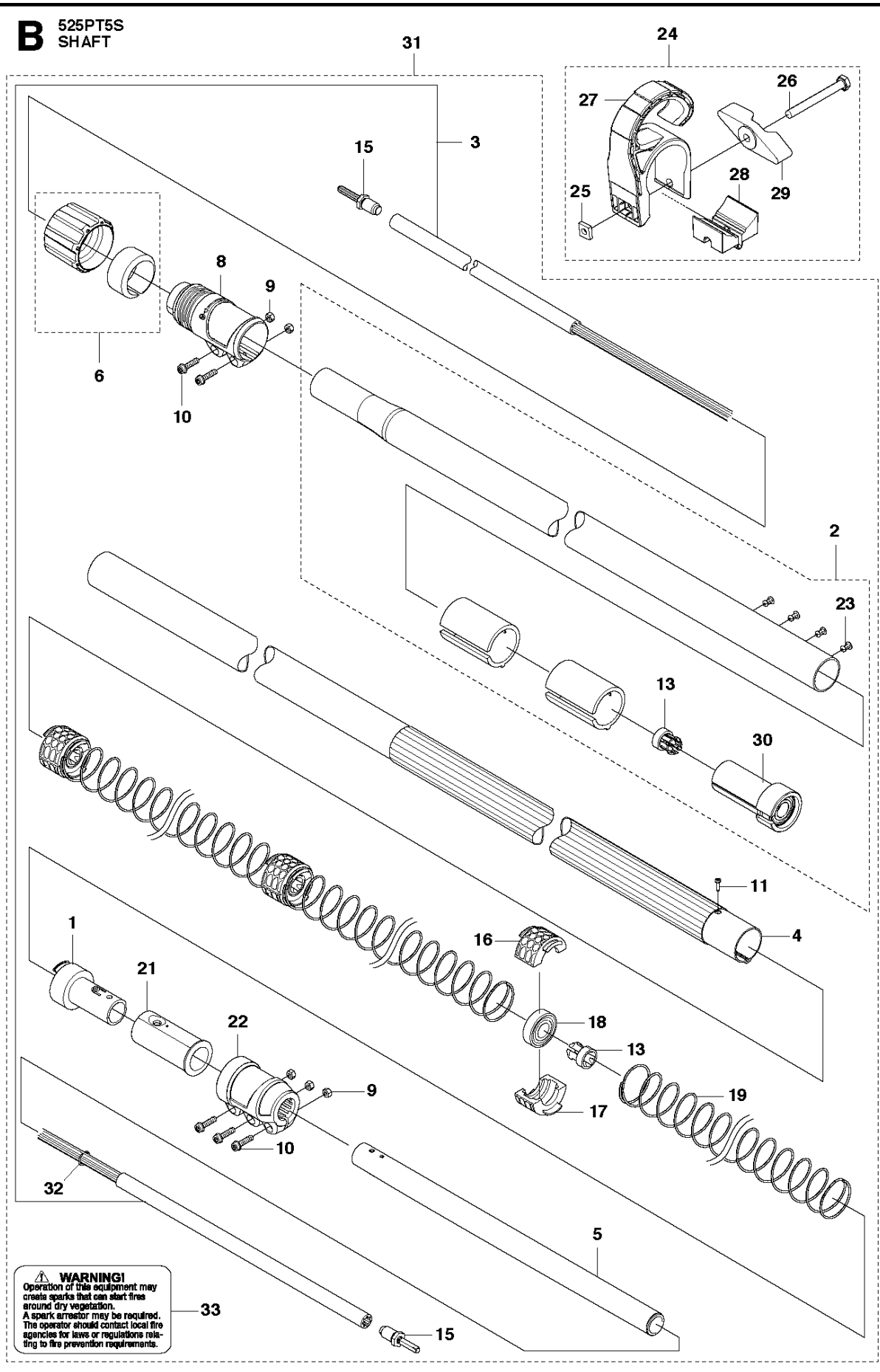


## SHORT BLOCK

525 PT5S

Ref	Part No	Description	Remark	QTY	KIT
1	000 00 00-00	W/O DESCRIPTION		1	
2	544 25 68-01	SCREW		2	
3	578 78 53-01	PLATE		1	
4	504 11 43-01	SCREW		4	
5	576 59 81-01	SPARK PLUG		1	
6	578 40 81-01	GASKET		1	
7	588 09 82-02	SERVICE KIT		1	
8	576 39 87-02	GASKET		1	7,14
9	506 61 81-01	RING		2	7,14
10	577 91 74-01	PISTON		1	7,14
11	505 04 07-01	PIN		1	7,14
12	576 40 27-01	BEARING		1	7,14
13	505 04 52-01	RING		2	7,14
14	588 09 81-02	SERVICE KIT		1	7
15	577 97 90-01	CYLINDER		1	7
16	577 88 24-02	GASKET		1	
17	576 39 91-02	GASKET		1	
18	576 39 89-01	GASKET		1	
19	504 12 15-01	SEALING		2	
20	506 61 03-01	BEARING		2	
21	506 68 94-01	KEY		1	
22	586 65 66-01	CRANKSHAFT		1	
23	504 11 43-01	SCREW		3	
24	581 30 86-02	CRANKCASE		1	
25	576 39 95-02	GASKET		1	

**B** 525PT5S  
SHAFT



**⚠ WARNING!**  
 Operation of this equipment may create sparks that can start fires around dry vegetation.  
 A spark arrester may be required.  
 The operator should contact local fire agencies for laws or regulations relating to fire prevention requirements.

## SHAFT

525 PT5S

Ref	Part No	Description	Remark	QTY	KIT
1	576 92 60-01	BEARING SLEEVE		1	31
2	576 92 58-02	TUBE		1	31
3	576 92 56-02	DRIVE SHAFT		1	31
4	576 92 55-01	FRAME		1	31
5	576 92 57-02	TUBE		1	31
6	590 94 02-01	RING		1	31
8	510 09 60-01	CLAMPING SLEEVE		1	31
9	731 23 14-01	HEXAGON NUT		5	31
10	525 75 51-02	SCREW ITXSCFM		5	31
11	530 01 60-64	SCREW		1	4, 31
13	537 09 45-01	SLIDING SHOE		4	2, 31
15	574 61 89-02	ADAPTER		2	31
16	510 09 73-01	BEARING HOUSING		3	31
17	510 09 47-01	BEARING HOUSING		3	31
18	738 21 01-02	BALL BEARING		3	31
19	510 09 52-01	SPRING		3	31
21	510 09 10-01	SLEEVE		1	31
22	522 59 70-01	CLAMPING SLEEVE		1	31
23	576 22 12-01	RIVET		1	2, 31
24	579 26 40-01	LOOP		1	31
25	502 19 71-01	SQUARE NUT		1	24
26	725 23 81-51	SCREW EHHM		1	24
27	522 72 31-01	LOOP		1	24
28	522 72 33-01	SPACING BLOCK		1	24
29	502 20 38-01	KNOB		1	24
30	579 27 55-01	BEARING SLEEVE		1	2, 31
31	510 09 70-02	TUBE DRIVESHAFT ASSY		1	
32	510 11 25-01	CIRCLIP		1	3, 31
33	522 92 86-02	LABEL		1	

# Illustrated Parts List - IPL Update



Product Name(s)

**525PT5S**

Description of change

New article number because of updated printing on carton required for US-market.

Comments

Fully interchangeable

Introduced from

<b>Serial number / Date</b>	<b>Remark</b>
2019-01	

IPL updates

<b>Page title</b>	<b>Ref. no</b>	<b>New part no</b>	<b>Name</b>	<b>Excl. part no.</b>	<b>Remark</b>
Accessories	8	591 10 84-44	Saw chain	501 84 70-44	