

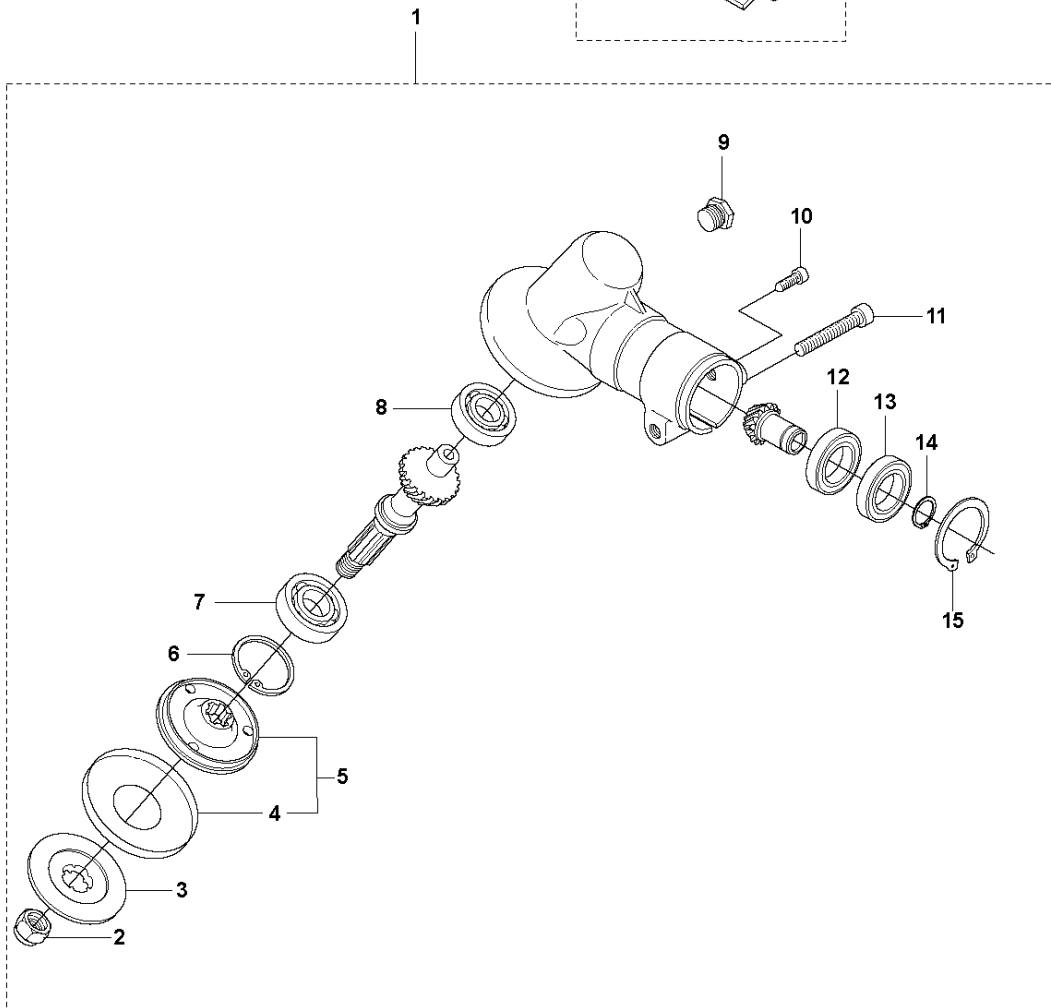
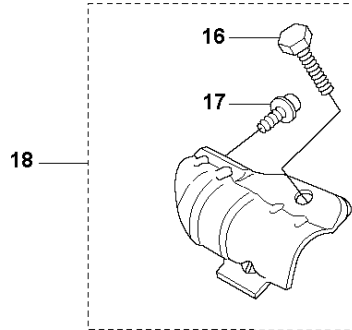


SPARE PARTS LIST

TRIMMERS/EDGERS

535 LK

A 535LK
BEVEL GEAR

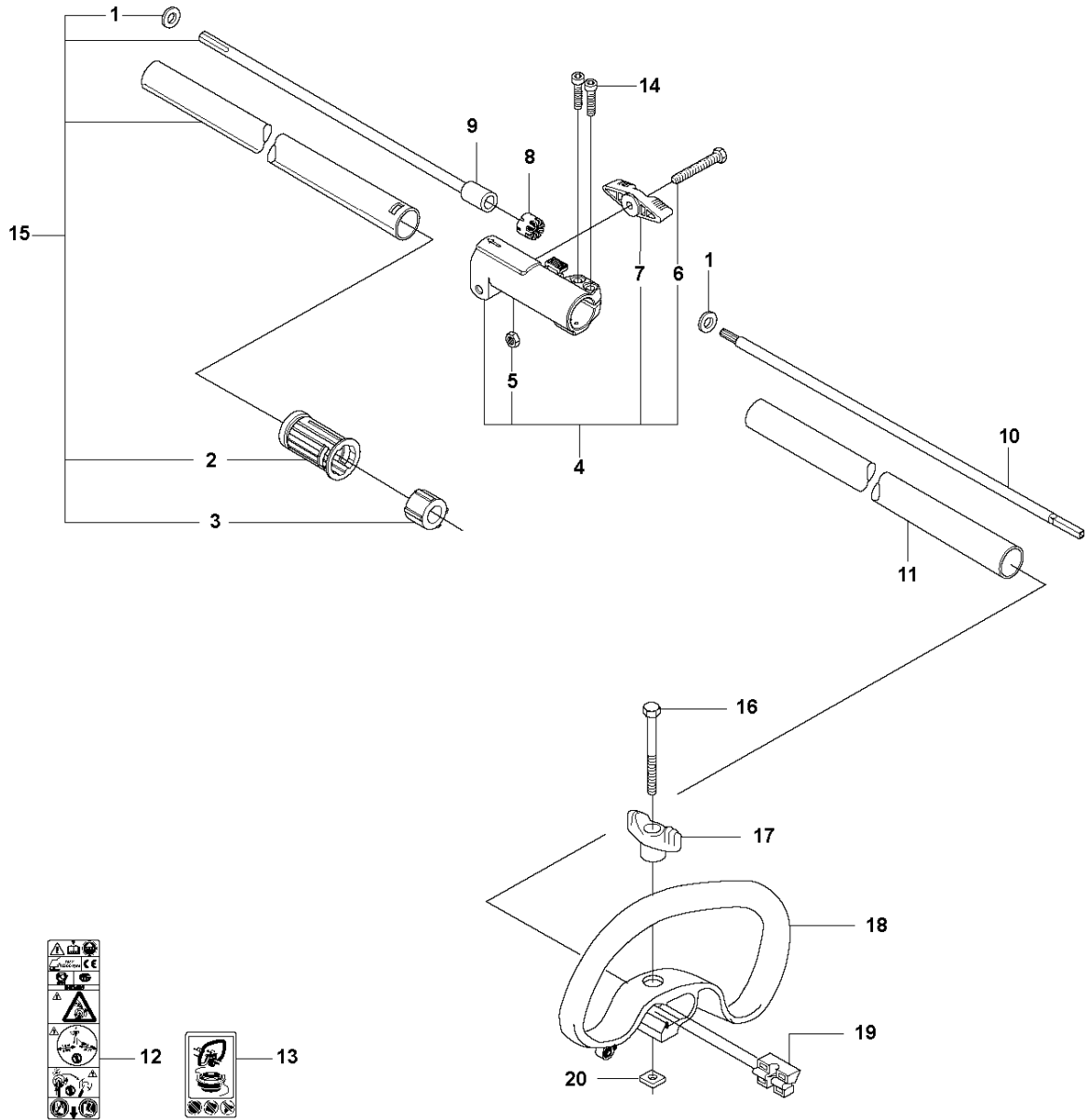


BEVEL GEAR

535 LK

Ref	Part No	Description	Remark	QTY	KIT
1	537 19 92-02	BEVEL GEAR ASSY		1	
2	503 85 63-01	NUT		1	1
3	537 28 56-01	SUPPORT FLANGE		1	1
4	537 29 26-01	CUP		1	1
5	537 23 49-01	DRIVER ASSY		1	1
6	735 31 28-10	CIRCLIP		1	1
7	503 25 24-01	BALL BEARING		1	1
8	738 21 98-00	BALL BEARING		1	1
9	503 20 15-01	SCREW		1	1
10	503 20 14-12	SCREW IHSCFMO		1	1
11	503 20 07-25	SCREW IHSCFM		1	1
12	738 21 99-00	BALL BEARING		1	1
13	738 21 99-02	BALL BEARING		1	1
14	735 31 11-00	CIRCLIP		1	1
15	735 31 25-10	CIRCLIP		1	1
16	725 23 70-51	SCREW		1	18
17	503 20 07-12	SCREW IHSCFM		1	18
18	503 93 55-01	CLAMP.GUARD		1	1

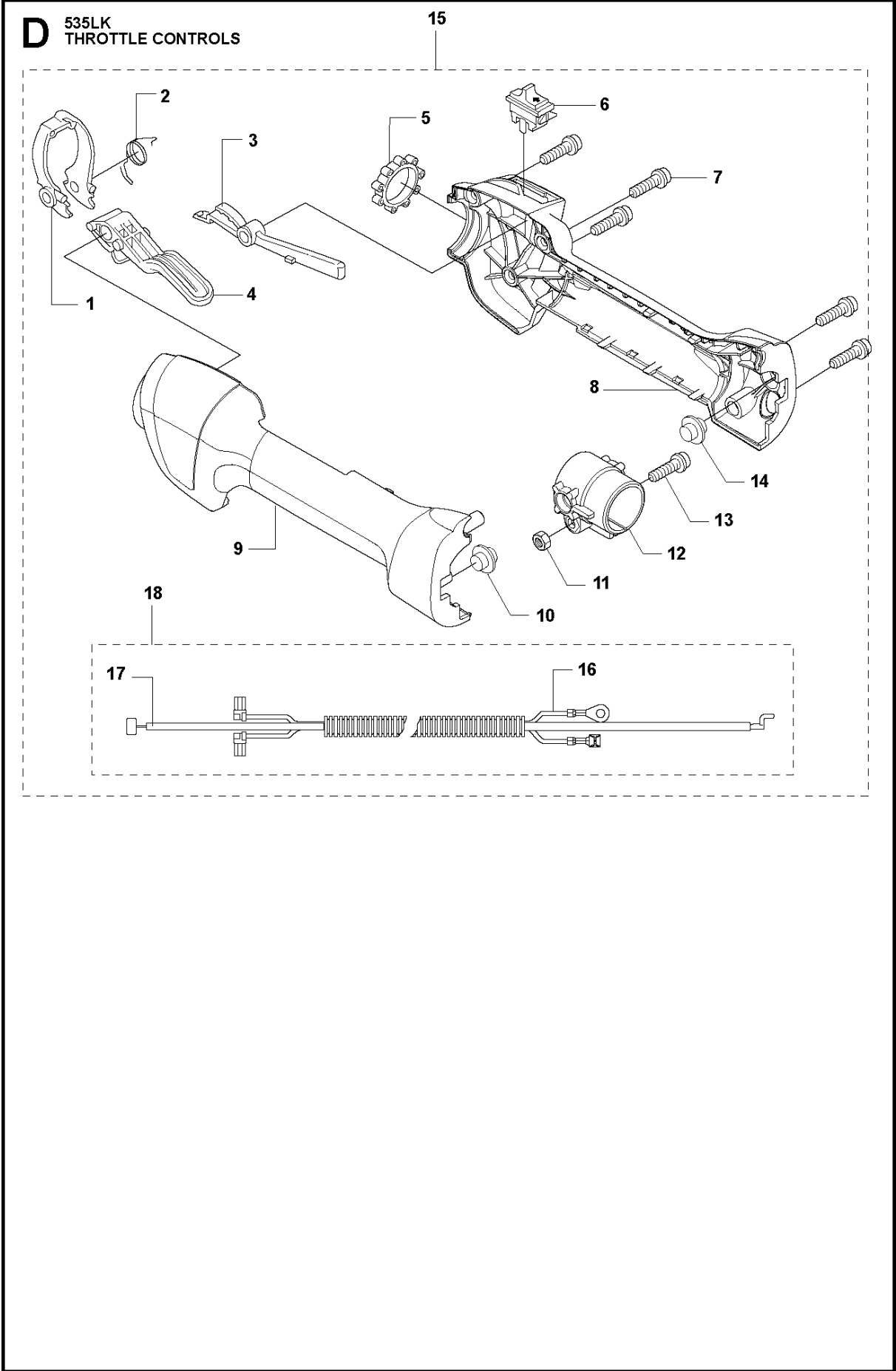
B 535LK
SHAFT



SHAFT

535 LK

Ref	Part No	Description	Remark	QTY	KIT
1	735 58 08-10	LOCKWASHER		2	15
2	587 41 46-01	PLUG		1	15
3	503 78 52-02	SUPPORTING BEARING		1	15
4	576 28 26-02	CLAMPING SLEEVE ASSY		1	
5	731 23 16-01	HEXAGON NUT		1	4
6	725 23 76-01	SCREW		1	4
7	576 28 24-01	KNOB		1	4
8	583 93 83-01	CLIP		1	
9	587 41 17-01	DRIVE SHAFT	L=843mm Ø=7mm	1	15
10	581 81 51-02	DRIVE SHAFT	L=699mm Ø=7mm, thread end	1	
11	587 98 79-01	TUBE ASSY	L=650mm Ø=24mm	1	
12	589 29 51-01	LABEL		1	
13	503 79 56-01	LABEL		1	
14	503 20 07-25	SCREW IHSCFM		2	
15	587 98 81-01	TUBE ASSY		1	
16	725 23 80-51	SCREW EHHM		1	
17	503 87 90-01	KNOB		1	
18	503 87 19-03	HANDLE		1	
19	503 94 03-01	DISTANCE		1	
20	502 19 71-01	SQUARE NUT		1	

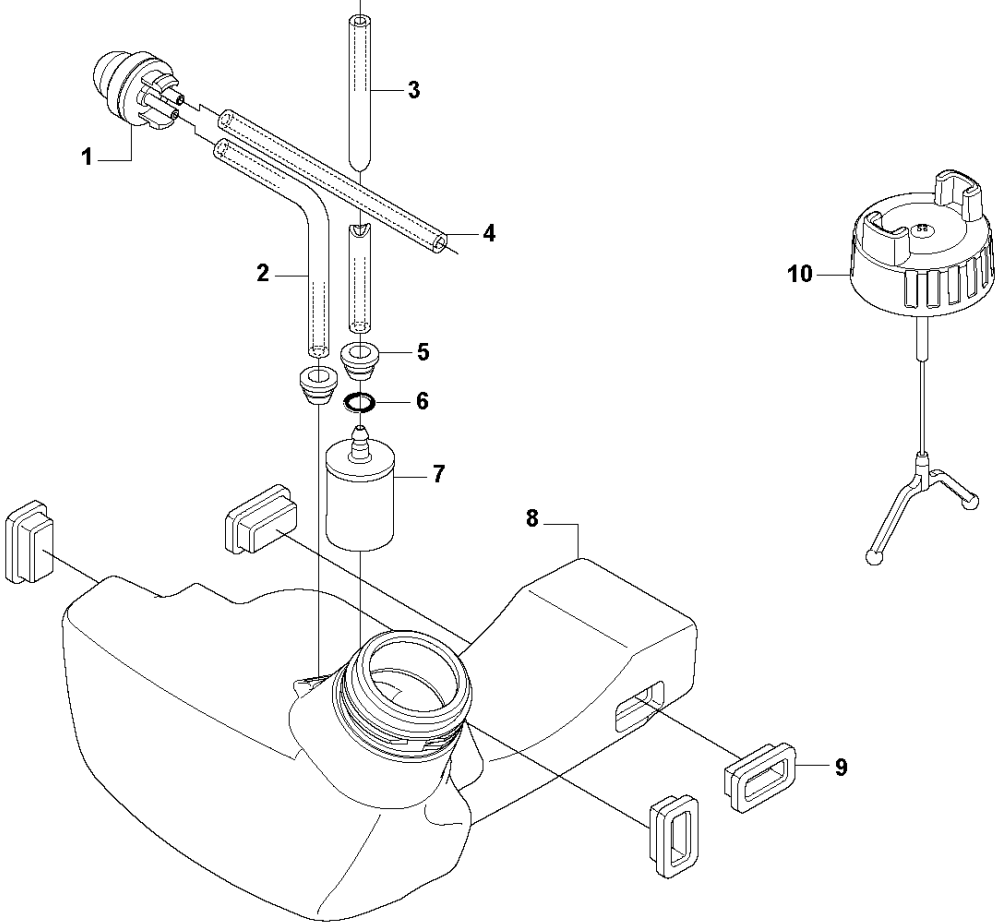


THROTTLE CONTROLS

535 LK

Ref	Part No	Description	Remark	QTY	KIT
1	503 91 81-01	THROTTLE LEVER		1	15
2	544 10 08-01	RECOIL SPRING		1	15
3	503 87 80-01	THROTTLE LOCKOUT		1	15
4	503 87 79-03	THROTTLE TRIGGER		1	15
5	503 96 14-01	ABSORBER		1	15
6	537 41 90-01	SWITCH		1	15
7	503 21 66-18	SCREW IHSC		5	15
8	544 23 84-01	HANDLE HALF	Hard grip	1	15
8	544 10 02-02	HANDLE HALF	Soft grip	1	15
9	544 23 85-01	HANDLE HALF	Hard grip	1	15
9	544 10 03-02	HANDLE HALF	Soft grip	1	15
10	544 10 17-02	DAMPER		1	15
11	731 23 14-01	HEXAGON NUT		1	15
12	544 11 21-01	RETAINER		1	15
13	503 20 03-20	SCREW IHSCFM		1	15
14	544 10 17-02	DAMPER		1	15
15	544 14 36-02	CONTROL		1	
16	503 87 85-06	SHORT CIRCUIT CABLE		1	15, 18
17	544 17 17-02	THROTTLE CABLE ASSY		1	15, 18
18	544 14 49-01	WIRING ASSY		1	15

E 535LK
FUEL TANK

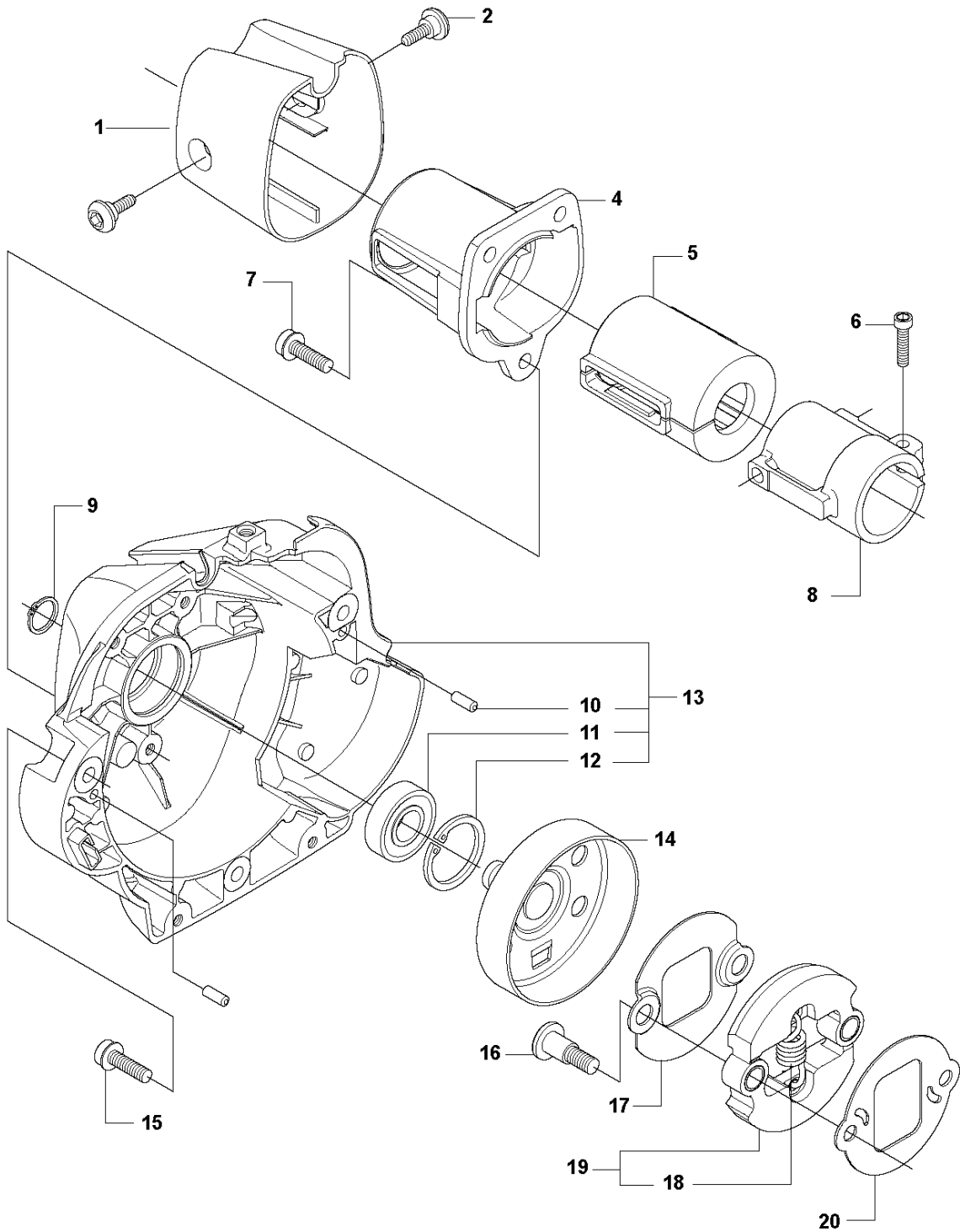


FUEL TANK

535 LK

Ref	Part No	Description	Remark	QTY KIT
1	503 93 66-01	PURGE		1
2	537 04 24-12	FUEL HOSE		1
3	537 05 23-01	FUEL HOSE		1
4	537 04 24-12	FUEL HOSE		1
5	503 73 58-01	BUSHING		2
6	537 18 49-01	O-RING		1
7	503 44 32-01	FUEL FILTER		1
8	544 32 88-01	TANK ASSY		1
9	503 91 10-01	SUSPENSION		4
10	503 91 18-02	TANK CAP		1

F 535LK
CLUTCH

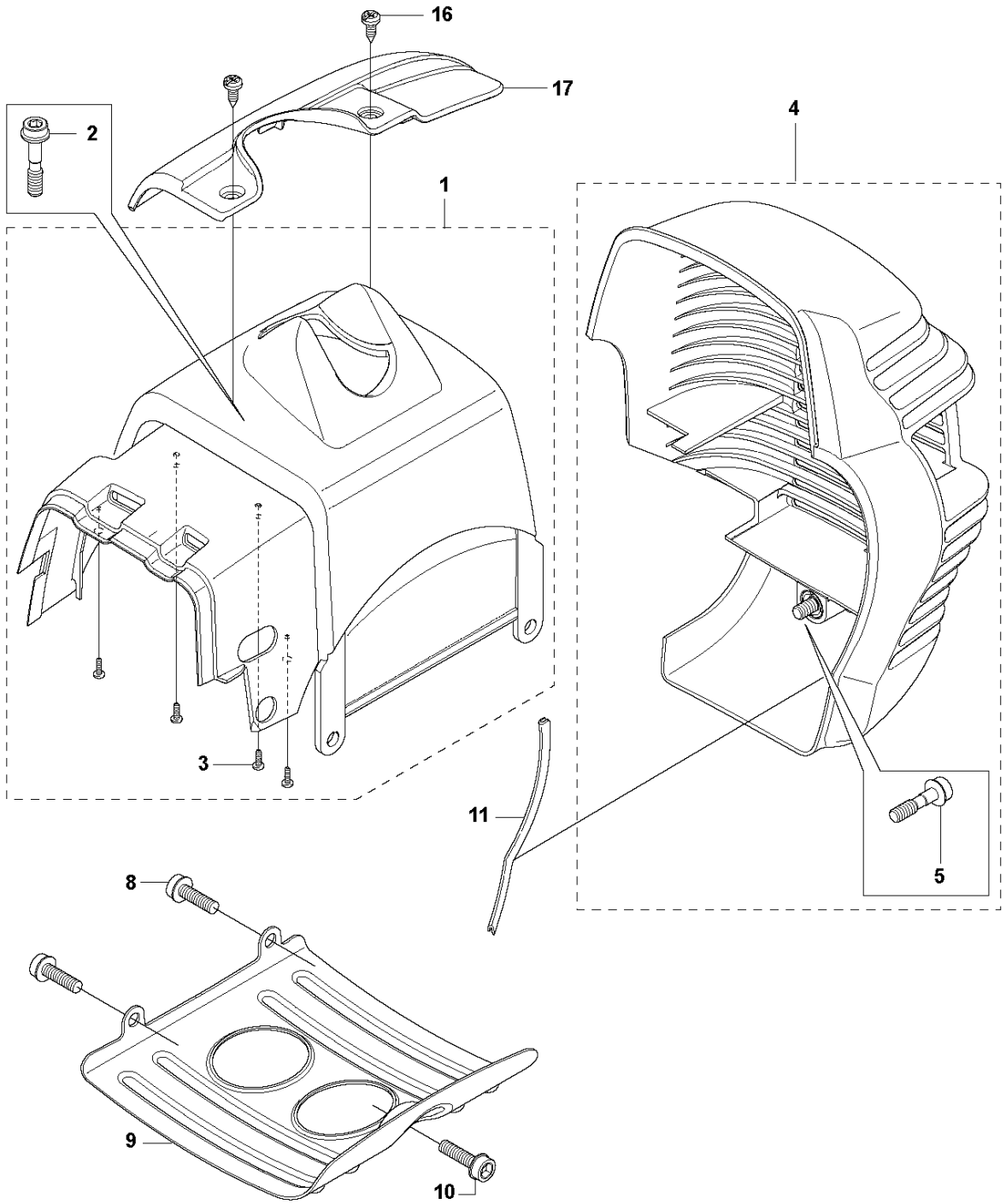


CLUTCH

535 LK

Ref	Part No	Description	Remark	QTY	KIT
1	544 11 97-01	COVER		1	
2	503 96 13-01	SCREW		2	
4	537 31 00-01	COVER		1	
5	537 32 27-01	ANTIVIBRATION ELEMENT		1	
6	725 53 33-55	SCREW IHSCM		1	
7	503 20 03-20	SCREW IHSCFM		3	
8	537 31 01-02	COMPRESSION SLEEVE		1	
9	735 31 14-00	CIRCLIP		1	
10	503 24 07-02	PARALLEL PIN		2	13
11	738 21 01-04	BALL BEARING		1	13
12	735 31 28-10	CIRCLIP		1	13
13	537 30 29-01	CLUTCH COVER		1	
14	589 44 72-01	CLUTCH DRUM		1	
15	503 20 03-20	SCREW IHSCFM		3	
16	537 41 81-01	SCREW		2	
17	537 41 57-01	WASHER		1	
18	537 42 72-01	SPRING		1	19
19	537 34 04-01	CLUTCH		1	
20	537 04 68-01	WASHER		1	

G 535LK
CYLINDER COVER

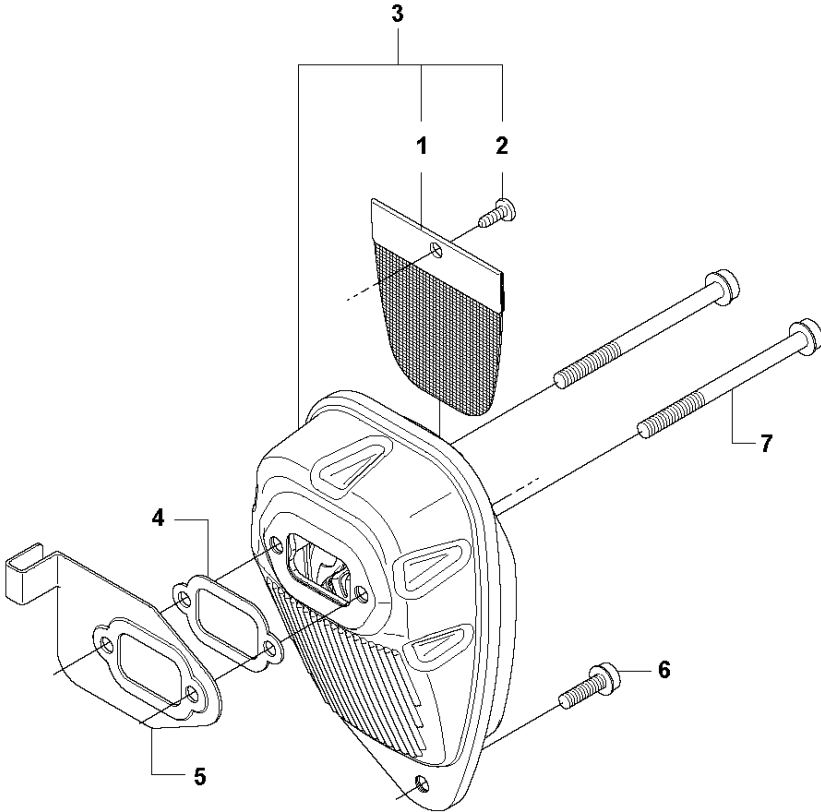


CYLINDER COVER

535 LK

Ref	Part No	Description	Remark	QTY	KIT
1	544 16 01-03	CYLINDER COVER	Spare part incl. Screws Pos. 2	1	
2	573 99 43-04	SCREW IHSCFMO	Captive screws	1	1
3	503 21 29-10	SCREW CCRPANT		4	1
4	537 42 51-02	HEAT PROTECTOR	Spare part incl. Screws Pos. 5	1	
5	574 47 70-03	SCREW IHSCFMO	Captive screws	1	4
8	503 21 75-16	SCREW IHSCFT		2	
9	537 35 72-01	PROTECTIVE PLATE		1	
10	503 21 75-16	SCREW IHSCFT		1	
11	544 02 98-01	BAR		1	
16	503 21 35-02	SCREW		2	
17	502 43 39-01	ARM PROTECTION		1	
18	576 99 86-23	LABEL		1	

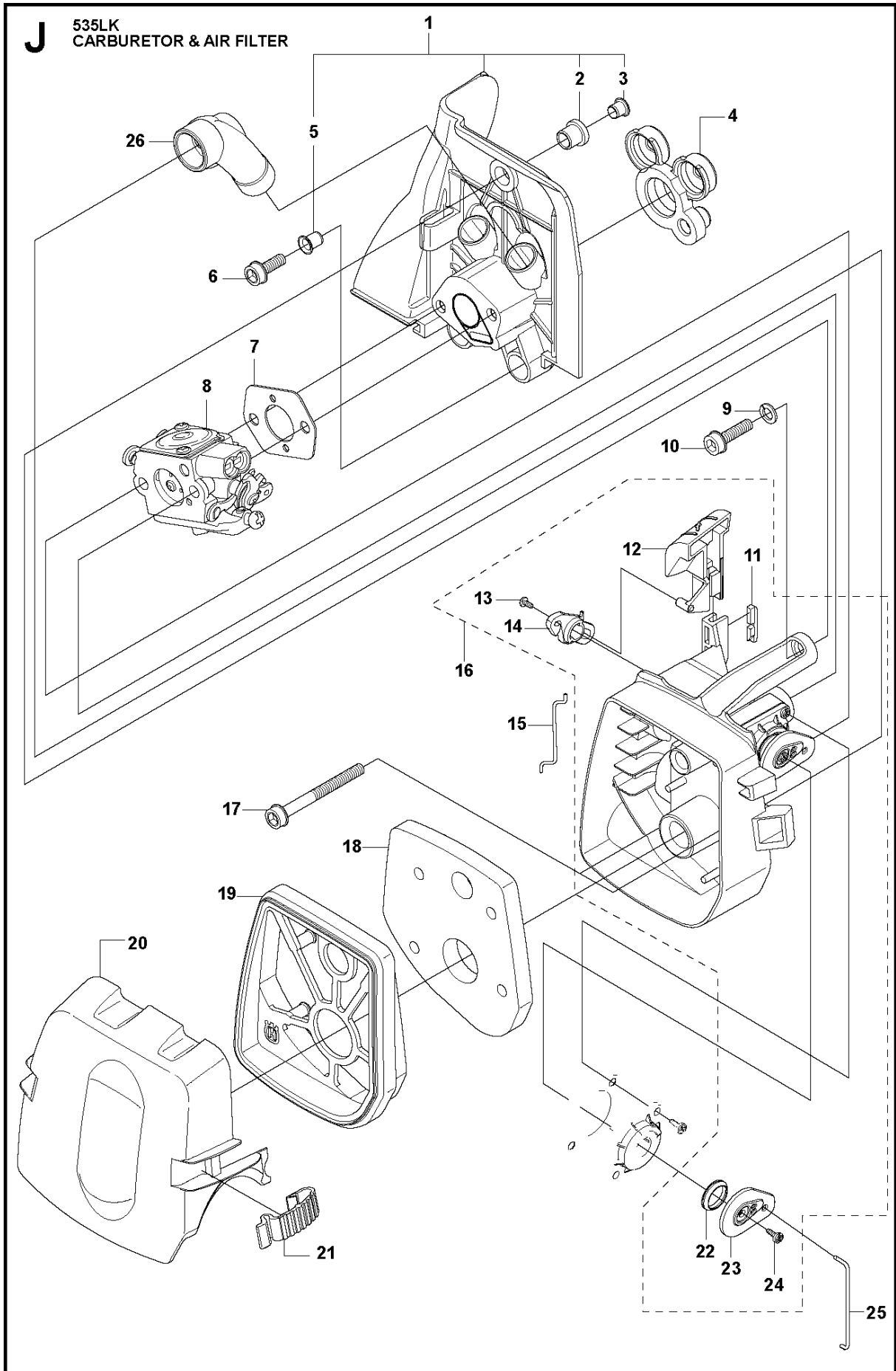
H 535LK
MUFFLER



MUFFLER

535 LK

Ref	Part No	Description	Remark	QTY	KIT
1	544 11 68-01	SPARK ARRESTER SCREEN		1	3
2	724 12 87-59	SCREW CRPANM		1	3
3	505 40 86-01	MUFFLER ASSY	Cat	1	
4	537 33 31-01	GASKET		1	
5	537 34 08-01	AIR CONDUCTOR		1	
6	503 20 03-20	SCREW IHSCFM		1	
7	503 20 29-63	SCREW IHSCFM		2	

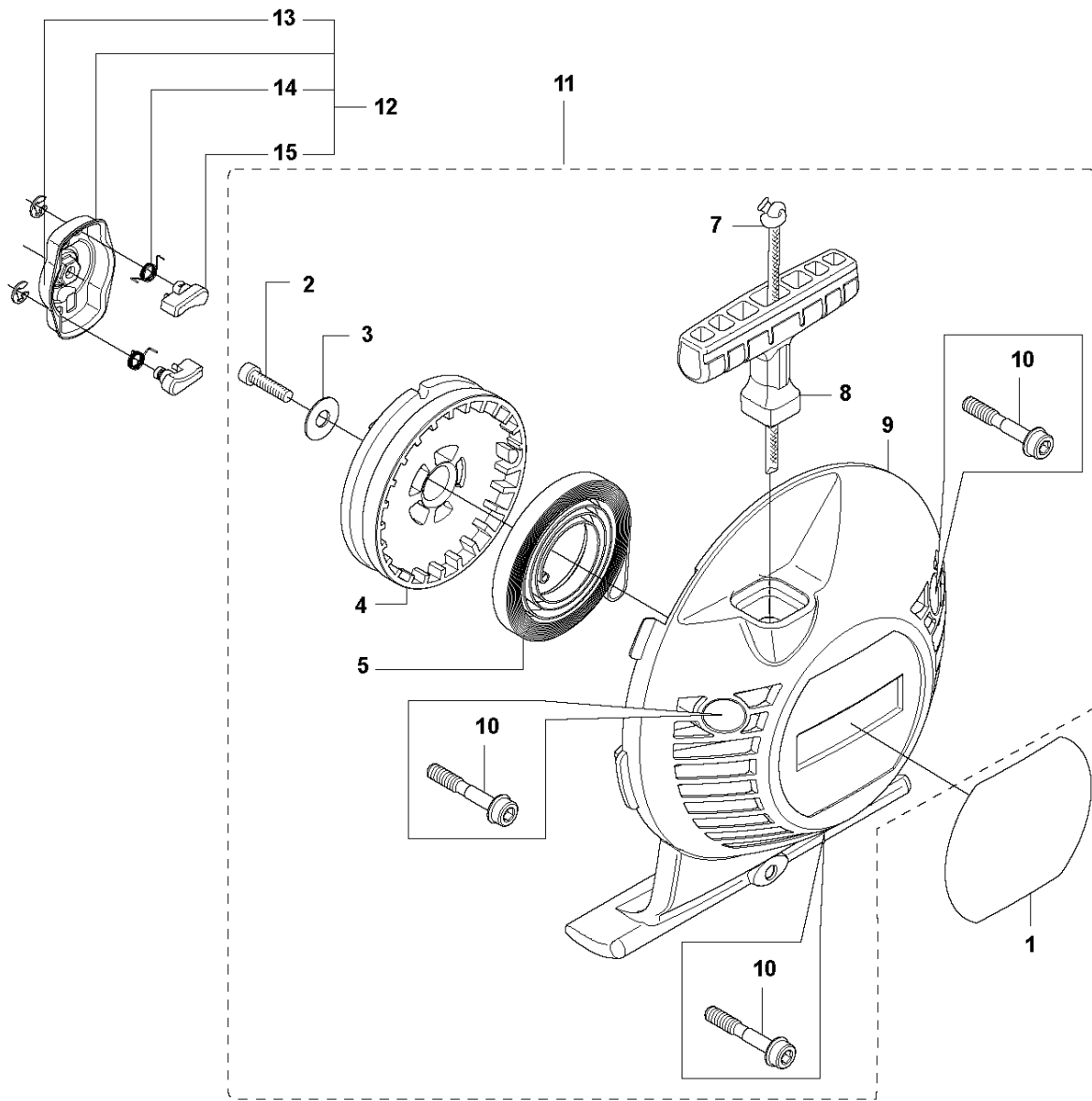


CARBURETOR & AIR FILTER

535 LK

Ref	Part No	Description	Remark	QTY	KIT
1	537 37 12-02	INSULATION WALL		1	
2	537 37 11-01	SLEEVE		1	1
3	544 01 91-01	TUBULAR RIVET		1	1
4	537 33 43-01	INLET PIPE		1	
5	537 37 38-03	TUBULAR RIVET		2	1
6	503 20 03-16	SCREW IHSCFM		2	
7	503 49 71-01	GASKET		1	
8	581 16 75-01	CARBURETTOR	(ZAMA C1Q-EL36)	1	
9	503 23 10-06	WASHER		1	
10	503 20 03-20	SCREW IHSCFM		1	
11	544 02 58-01	BAR		1	16
12	537 33 71-01	CHOKE CONTROL		1	16
13	503 21 29-06	SCREW CCRPANT		1	16
14	537 35 58-01	LEVER		1	16
15	544 37 27-01	SLEEVING BRACKET		1	
16	537 31 41-01	FILTER HOLDER		1	
17	503 21 75-50	SCREW IHSCFT		2	
18	537 33 72-01	FILTER		1	
19	537 31 42-01	FRAME		1	
20	537 31 44-01	FILTER COVER		1	
21	537 38 72-01	SNAP LOCKING		2	
22	544 01 47-01	BELLOWS		1	16
23	544 01 46-01	LEVER		1	16
24	503 21 29-06	SCREW CCRPANT		1	16
25	537 34 90-01	LEVER		1	
26	537 34 13-01	AIR DUCT		1	

K 535LK
STARTER

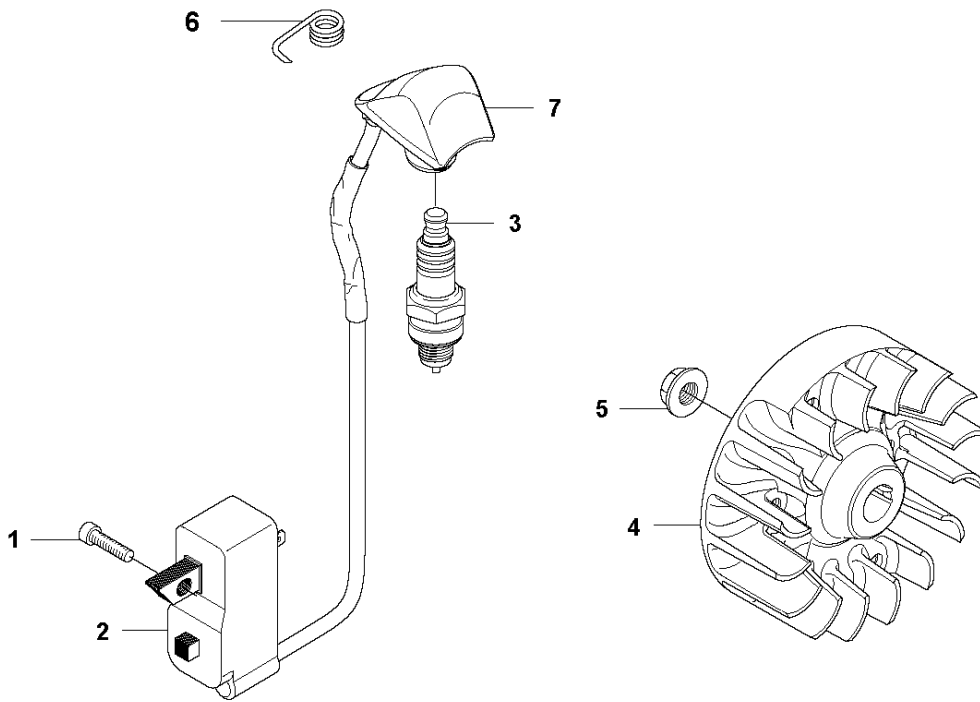


STARTER

535 LK

Ref	Part No	Description	Remark	QTY	KIT
1	577 22 36-01	DECAL		1	
2	503 21 79-20	SCREW IH SCT		1	11
3	535 07 23-01	WASHER		1	11
4	537 32 50-02	STARTER PULLEY		1	11
5	503 85 99-01	RECOIL SPRING		1	11
7	505 30 51-25	STARTER CORD		1	11
8	503 54 39-01	STARTER HANDLE		1	11
9	544 10 25-02	STARTER	Spare part adapted for captive screws	1	11
10	573 99 43-05	SCREW IH SCFMO	Captive screws	3	
11	537 21 47-07	STARTER ASSY		1	
12	503 87 33-05	STARTER PAWL		1	
13	735 31 08-20	E-CLIP		2	12
14	503 87 36-01	SPRING		1	12
15	503 87 35-02	STARTER PAWL		2	12

L 535LK
IGNITION

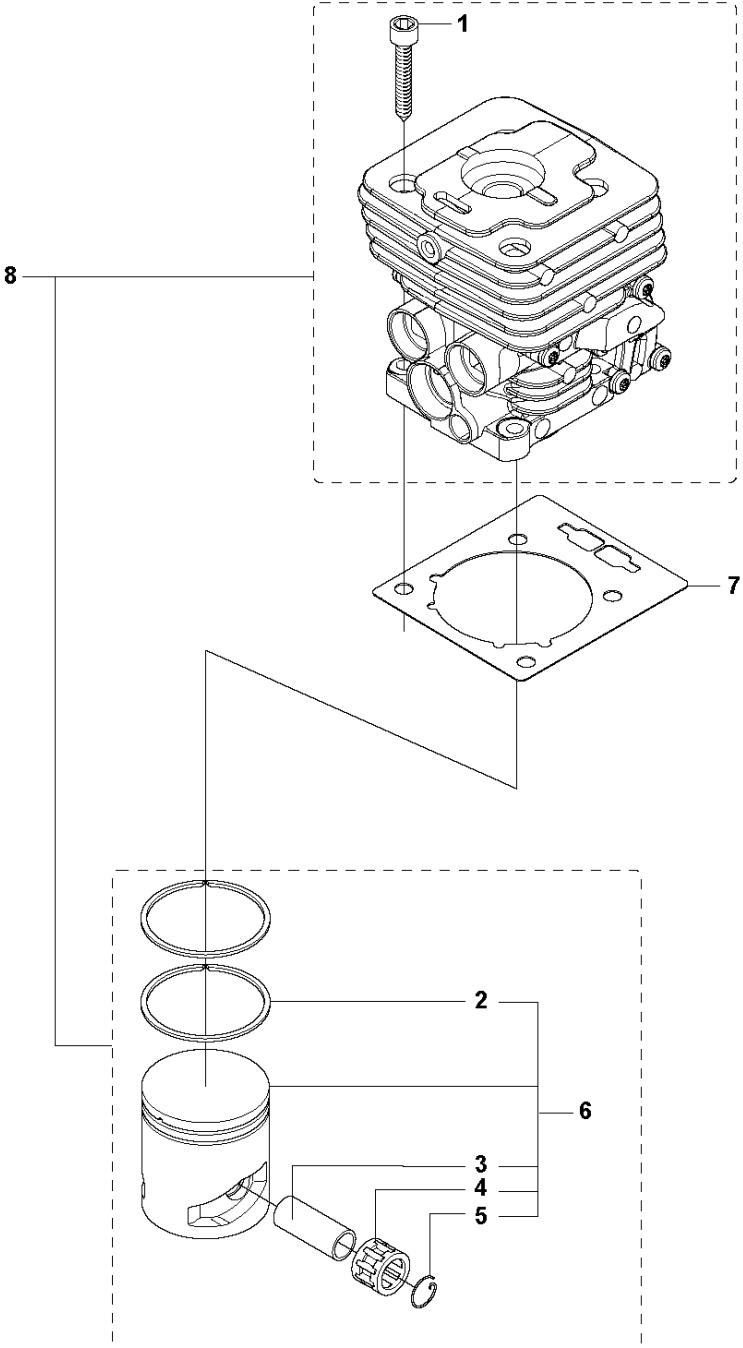


IGNITION SYSTEM

535 LK

Ref	Part No	Description	Remark	QTY KIT
1	503 21 66-18	SCREW IHSCT		2
2	544 12 70-01	IGNITION MODULE		1
3	503 23 51-09	SPARK PLUG	CH RCJ6Y (Ø=14 mm)	1
4	537 24 96-01	FLYWHEEL		1
5	731 71 16-51	HEXAGON NUT FLANGE		1
6	537 23 93-01	CONTACT SPRING		1
7	537 43 43-01	SPARK PLUG CAP		1

M 535LK
CYLINDER PISTON

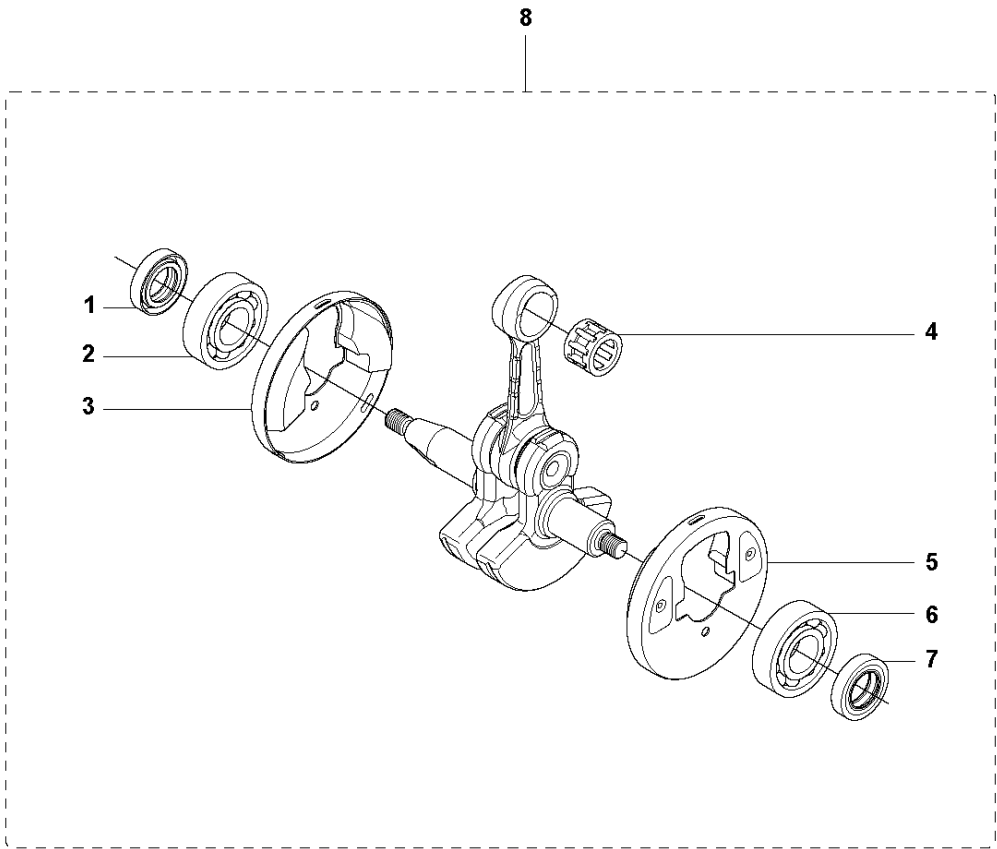


CYLINDER PISTON

535 LK

Ref	Part No	Description	Remark	QTY	KIT
1	725 53 33-55	SCREW IHSCM		4	8
2	503 28 90-54	PISTON RING		2	6,8
3	503 28 91-19	PISTON PIN		1	6,8
4	503 41 41-01	NEEDLE BEARING		1	6,8
5	737 44 10-00	SNAP RING		2	6,8
6	585 99 83-02	PISTON ASSY		1	8
7	537 33 30-02	GASKET		1	
8	544 40 06-01	CYLINDER ASSY	Ø = 38mm. 574 36 43-01	1	

N 535LK
CRANK SHAFT

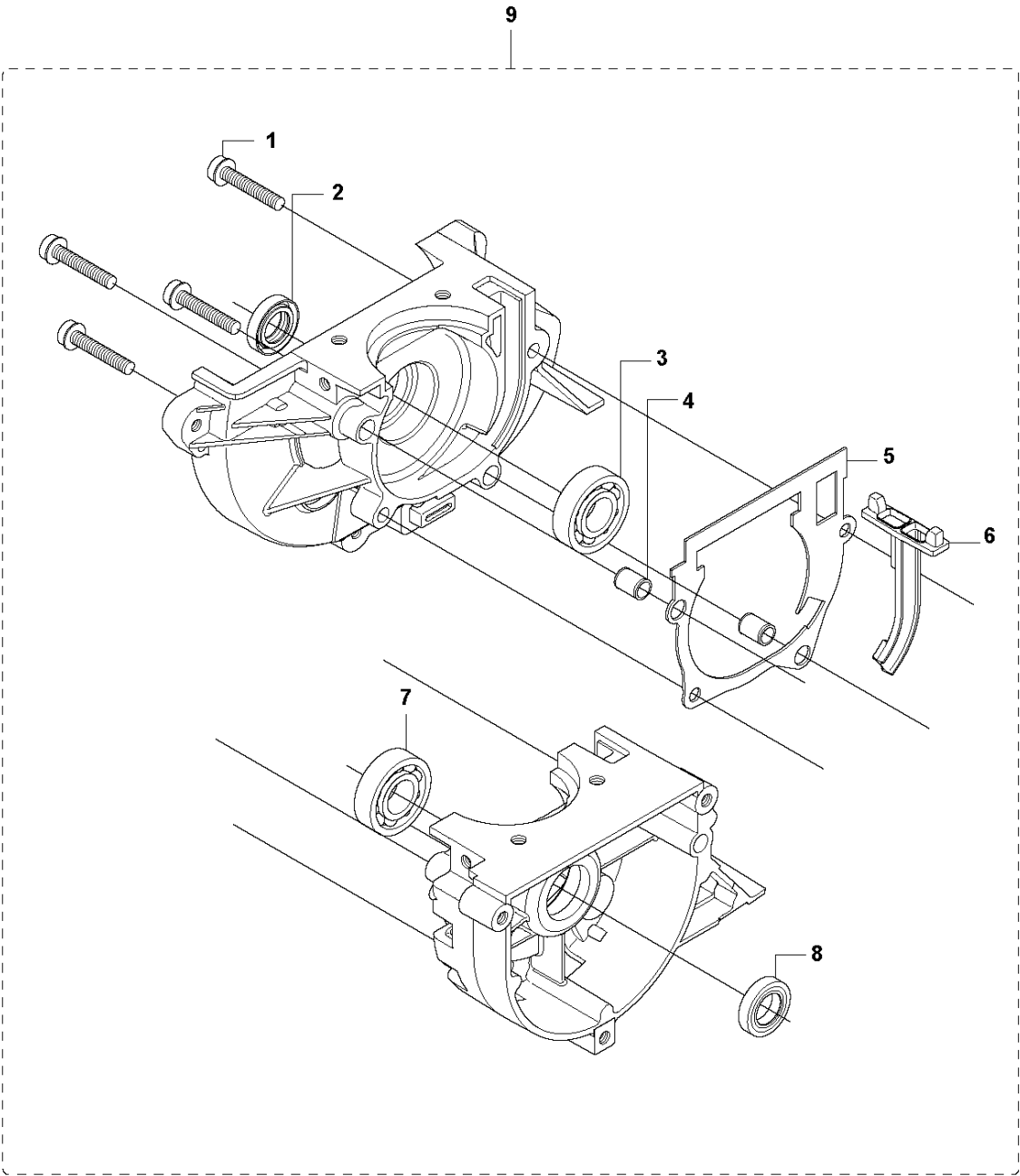


CRANKSHAFT

535 LK

Ref	Part No	Description	Remark	QTY	KIT
1	503 26 02-02	SEALING RING		1	8
2	738 21 01-10	BALL BEARING		1	8
3	537 29 76-01	CUP		1	8
4	503 41 41-01	NEEDLE BEARING		1	8
5	537 29 76-01	CUP		1	8
6	738 21 01-10	BALL BEARING		1	8
7	503 26 02-02	SEALING RING		1	8
8	544 03 90-01	CRANKSHAFT ASSY		1	

P 535LK
CRANKCASE



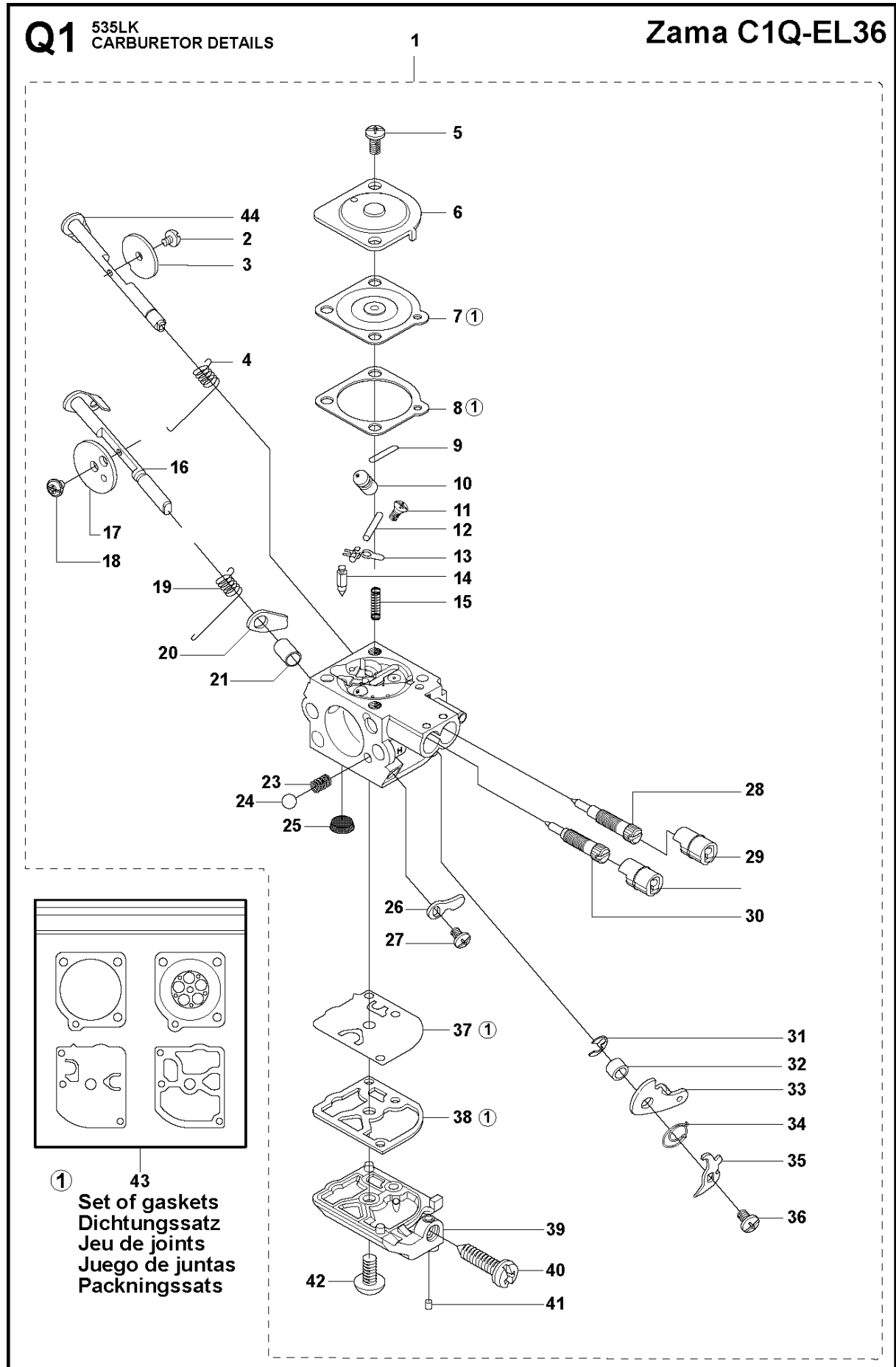
CRANKCASE

535 LK

Ref	Part No	Description	Remark	QTY	KIT
1	503 20 02-30	SCREW IHSCFM		4	9
2	503 26 02-02	SEALING RING		1	9
3	738 21 01-10	BALL BEARING		1	9
4	593 80 60-01	GUIDE BUSHING		2	9
5	593 77 76-01	GASKET		1	9
6	537 32 42-01	INSERT		1	9
7	738 21 01-10	BALL BEARING		1	9
8	503 26 02-02	SEALING RING		1	9
9	544 03 89-01	CRANKCASE ASSY		1	

Q1 535LK
CARBURETOR DETAILS

Zama C1Q-EL36

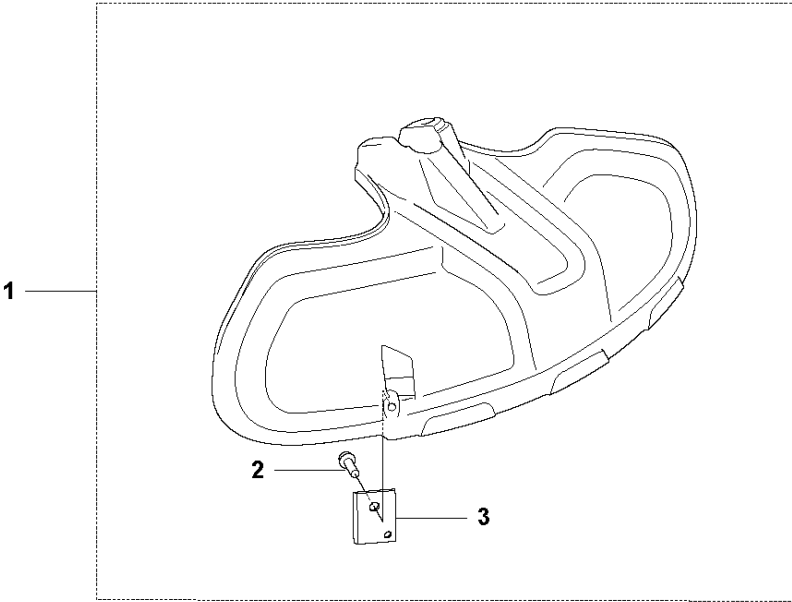


CARBURETOR

535 LK

Ref	Part No	Description	Remark	QTY	KIT
1	544 32 56-01	CARBURETTOR		1	
2	503 47 92-01	SCREW		1	1
3	537 41 72-01	VALVE		1	1
4	544 37 24-01	SPRING		1	1
5	503 48 05-01	SCREW		2	1
6	503 97 43-01	COVER		1	1
7	537 04 89-01	DIAPHRAGM		1	1, 43
8	537 02 04-01	GASKET		1	1, 43
9	503 53 56-01	PLUG WELCH		1	1
10	537 38 73-01	NOZZLE ASSY		1	1
11	503 48 01-01	SCREW		1	1
12	503 48 00-01	PIN RETAINING SCREW		1	1
13	503 66 59-01	LEVER		1	1
14	503 47 97-01	VALVE		1	1
15	537 02 03-01	SPRING		1	1
16	544 37 22-01	SHAFT ASSY		1	1
17	537 02 11-01	VALVE		1	1
18	503 48 18-01	SCREW		1	1
19	544 37 26-01	SPRING		1	1
20	544 37 25-01	LEVER		1	1
21	544 42 70-01	COLLAR		1	1
23	537 01 26-01	SPRING		1	1
24	537 01 25-01	BALL		1	1
25	503 48 13-01	STRAINER		1	1
26	544 37 23-01	LEVER		1	1
27	503 47 90-01	SCREW		1	1
28	537 41 69-01	SCREW		1	1
29	537 41 70-01	LIMITER CAP		2	1
30	537 38 75-01	SCREW		1	1
31	537 38 52-01	CLIP		1	1
32	537 41 77-01	COLLAR		1	1
33	537 41 73-01	LEVER		1	1
34	537 41 78-01	SPRING THROTT.RETURN		1	1
35	537 41 74-01	LEVER		1	1
36	503 47 90-01	SCREW		1	1
37	537 02 00-01	DIAPHRAGM PUMP		1	1, 43
38	537 02 01-01	GASKET		1	1, 43
39	537 41 68-01	COVER		1	1
40	537 02 07-01	SCREW		1	1
41	503 48 11-01	PIECE		1	1
42	503 47 96-01	SCREW		1	1
43	531 00 45-52	GASKET KIT		1	
44	537 38 74-01	SHAFT ASSY		1	1

R1 535LK
ACCESSORIES

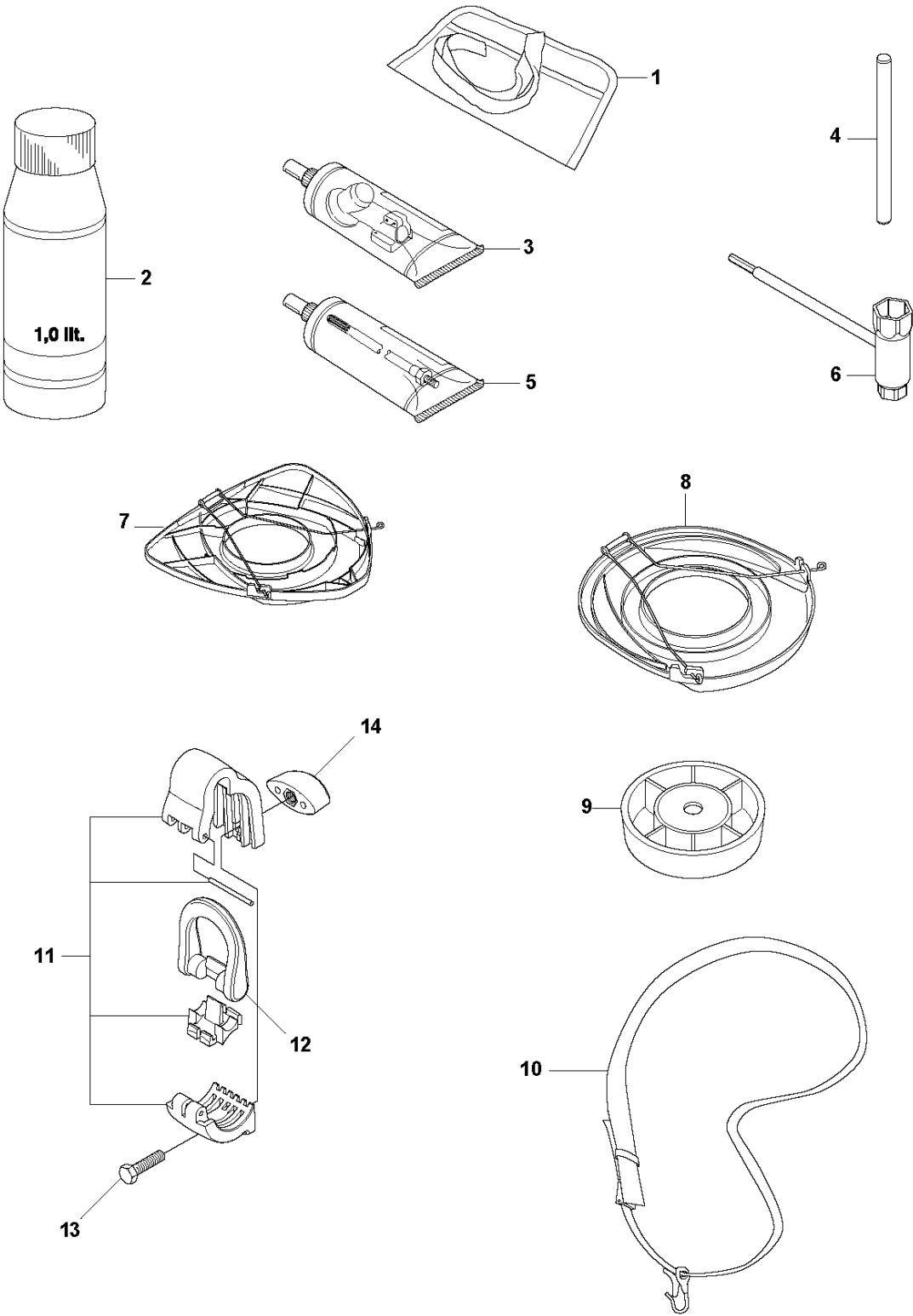


ACCESSORIES

535 LK

Ref	Part No	Description	Remark	QTY KIT
1	588 11 79-01	COMBINATION GUARD		1
2	576 27 56-01	SCREW ITXSCFT		1
3	503 79 88-02	BLADE		1

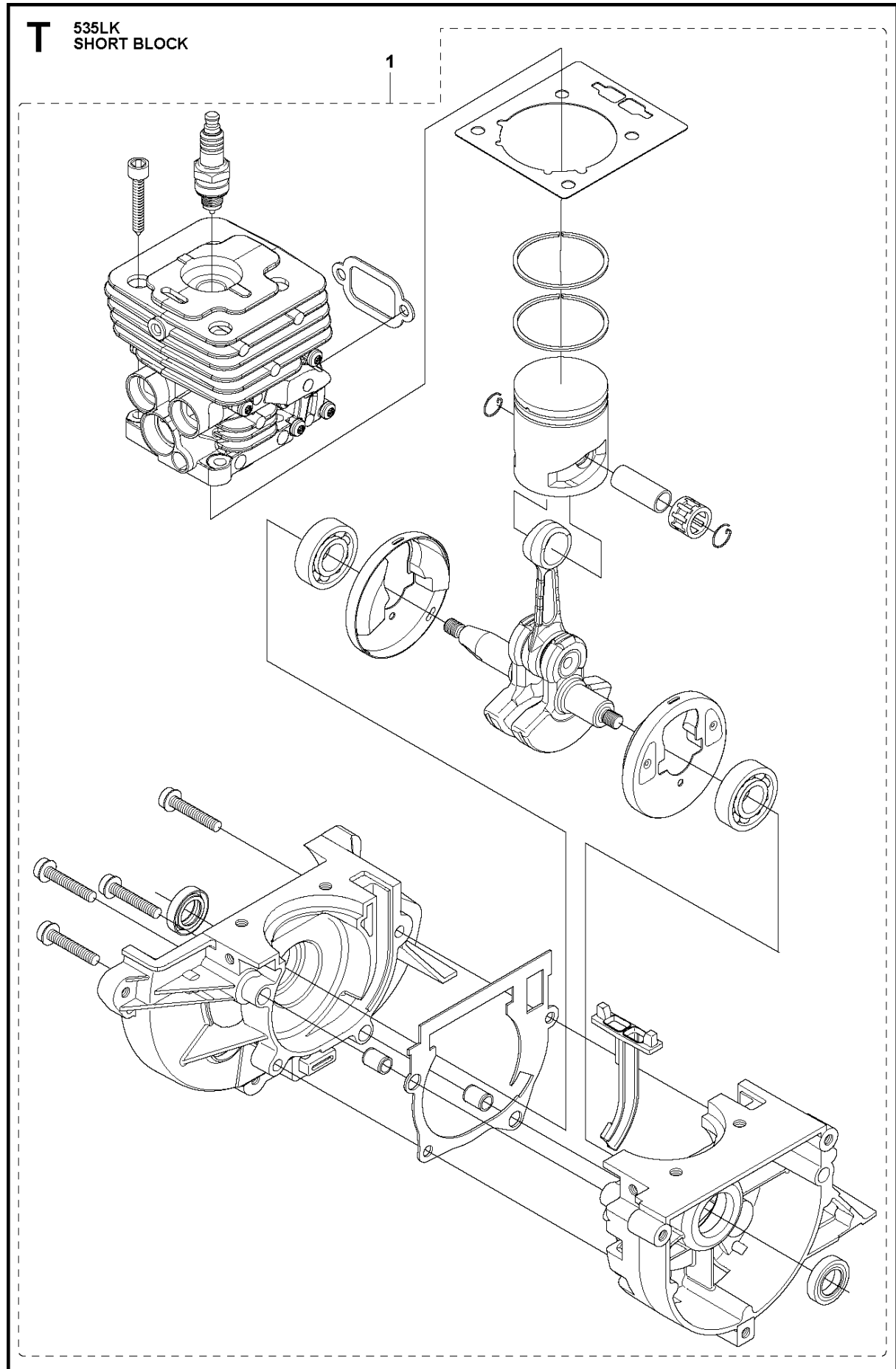
R2 535LK
ACCESSORIES



ACCESSORIES

535 LK

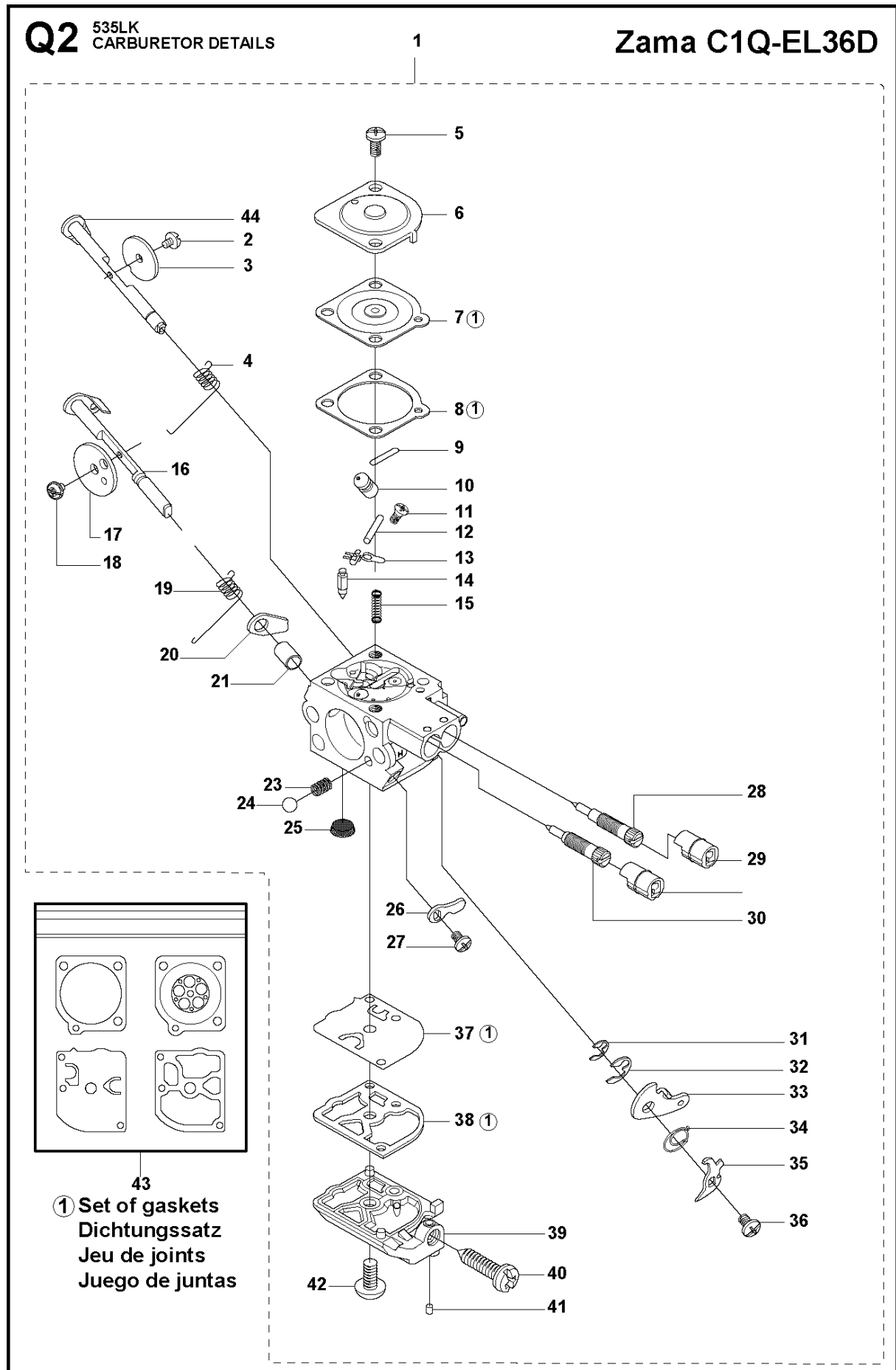
Ref	Part No	Description	Remark	QTY KIT
1	501 19 22-01	TOOL		1
2	531 00 92-48	FILTER OIL	Oil Airfilter	1
3	503 97 64-01	GREASE		1
4	502 28 59-01	STOP		1
5	503 80 17-01	GREASE		1
6	537 36 21-01	COMBINATION WRENCH		1
7	544 35 91-01	TRANSPORT GUARD		1
8	537 31 29-01	TRANSPORT GUARD	200-275 mm	1
9	503 89 01-02	SUPPORT CUP		1
10	537 21 62-01	HARNESS		1
10	537 21 62-02	HARNESS	USA	1
11	537 35 36-01	LOOP		1
12	537 35 01-01	LOOP		1
13	725 23 31-51	SCREW		1
14	537 13 04-02	KNOB		1



Ref	Part No	Description	Remark	QTY KIT
1	576 79 68-01	SHORT BLOCK	Assembled	1

Q2 535LK
CARBURETOR DETAILS

Zama C1Q-EL36D



CARBURETOR

535 LK

Ref	Part No	Description	Remark	QTY	KIT
1	581 16 75-01	CARBURETTOR		1	
2	503 47 92-01	SCREW		1	1
3	537 41 72-01	VALVE		1	1
4	544 37 24-01	SPRING		1	1
5	503 48 05-01	SCREW		2	1
6	503 97 43-01	COVER		1	1
7	537 04 89-01	DIAPHRAGM		1	1, 43
8	537 02 04-01	GASKET		1	1, 43
9	503 53 56-01	PLUG WELCH		1	1
10	581 89 95-01	MAIN NOZZLE		1	1
11	503 48 01-01	SCREW		1	1
12	503 48 00-01	PIN RETAINING SCREW		1	1
13	503 66 59-01	LEVER		1	1
14	503 47 97-01	VALVE		1	1
15	503 47 81-01	SPRING		1	1
16	544 37 22-01	SHAFT ASSY		1	1
17	537 37 03-01	VALVE		1	1
18	503 48 18-01	SCREW		1	1
19	544 37 26-01	SPRING		1	1
20	544 37 25-01	LEVER		1	1
21	544 42 70-01	COLLAR		1	1
23	537 01 26-01	SPRING		1	1
24	537 01 25-01	BALL		1	1
25	503 48 13-01	STRAINER		1	1
26	544 37 23-01	LEVER		1	1
27	503 47 90-01	SCREW		1	1
28	537 41 69-01	SCREW		1	1
29	537 41 70-01	LIMITER CAP		2	1
30	581 89 93-01	SCREW		1	1
31	537 38 52-01	CLIP		1	1
32	537 38 50-01	CLIP		1	1
33	537 41 73-01	LEVER		1	1
34	576 74 66-01	SPRING		1	1
35	537 41 74-01	LEVER		1	1
36	502 07 84-01	SCREW		1	1
37	537 02 00-01	DIAPHRAGM PUMP		1	1, 43
38	537 02 01-01	GASKET		1	1, 43
39	537 41 68-01	COVER		1	1
40	537 02 07-01	SCREW		1	1
41	503 48 11-01	PIECE		1	1
42	503 47 96-01	SCREW		1	1
43	531 00 45-52	GASKET KIT		1	
44	544 37 21-01	SHAFT ASSY		1	1

Illustrated Parts List - IPL Update



Product Name(s)

535LK

Description of change

O-ring was removed from variants using Cover 544 11 97-01 /-02 because of assembly problems. There are no space for O-ring to be compressed.

Comments

Introduced from

Serial number / Date	Remark
2020-03	

IPL updates

Page title	Ref. no	New part no	Name	Excl. part no.	Remark
Clutch	3		O-ring	740 42 06-00	REMOVED