

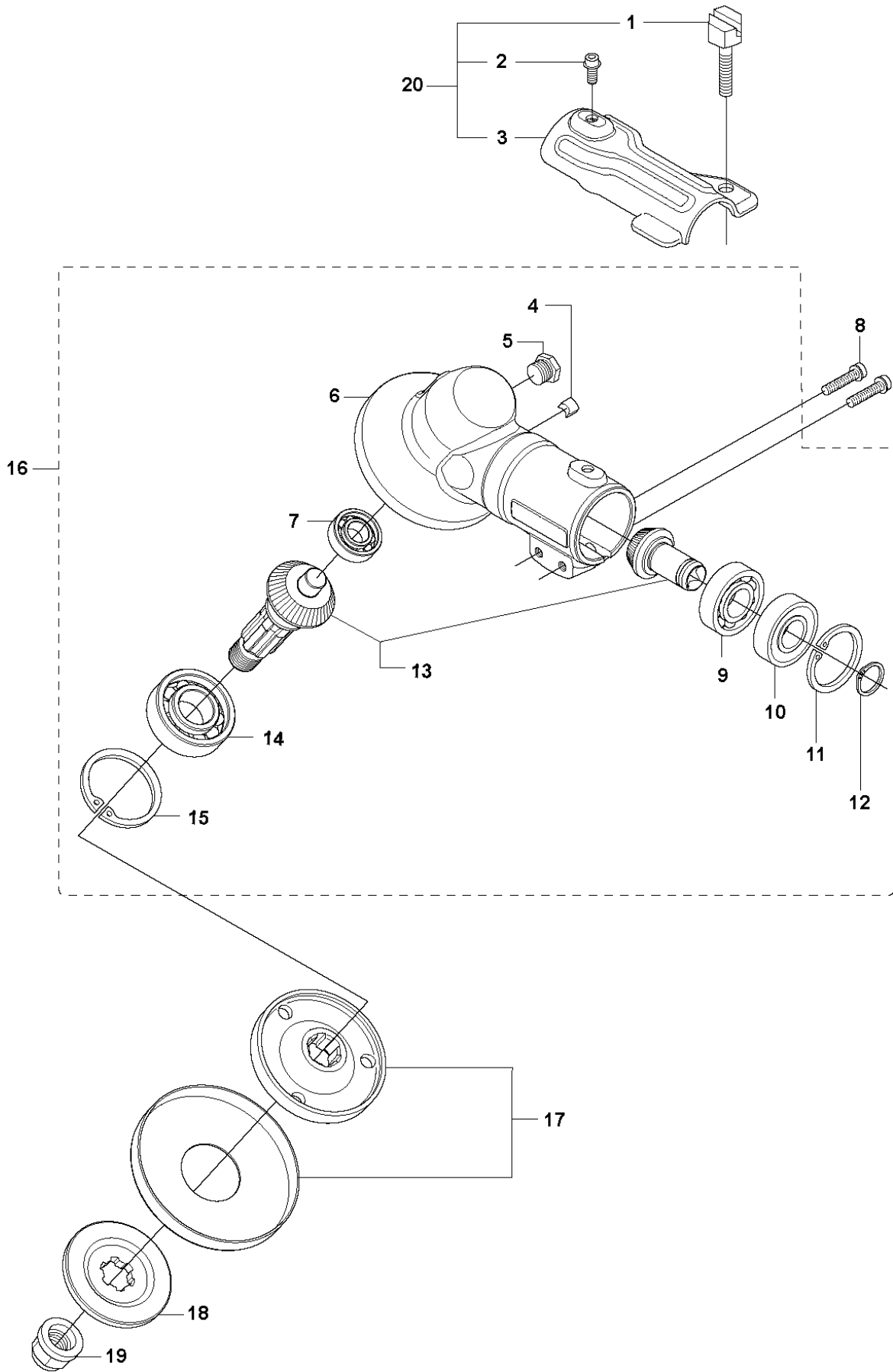


SPARE PARTS LIST

BRUSHCUTTERS/CLEARING SAWS

535 LS

A 535 RX, 535 RJ, 535 RXT, 535 LS
BEVEL GEAR

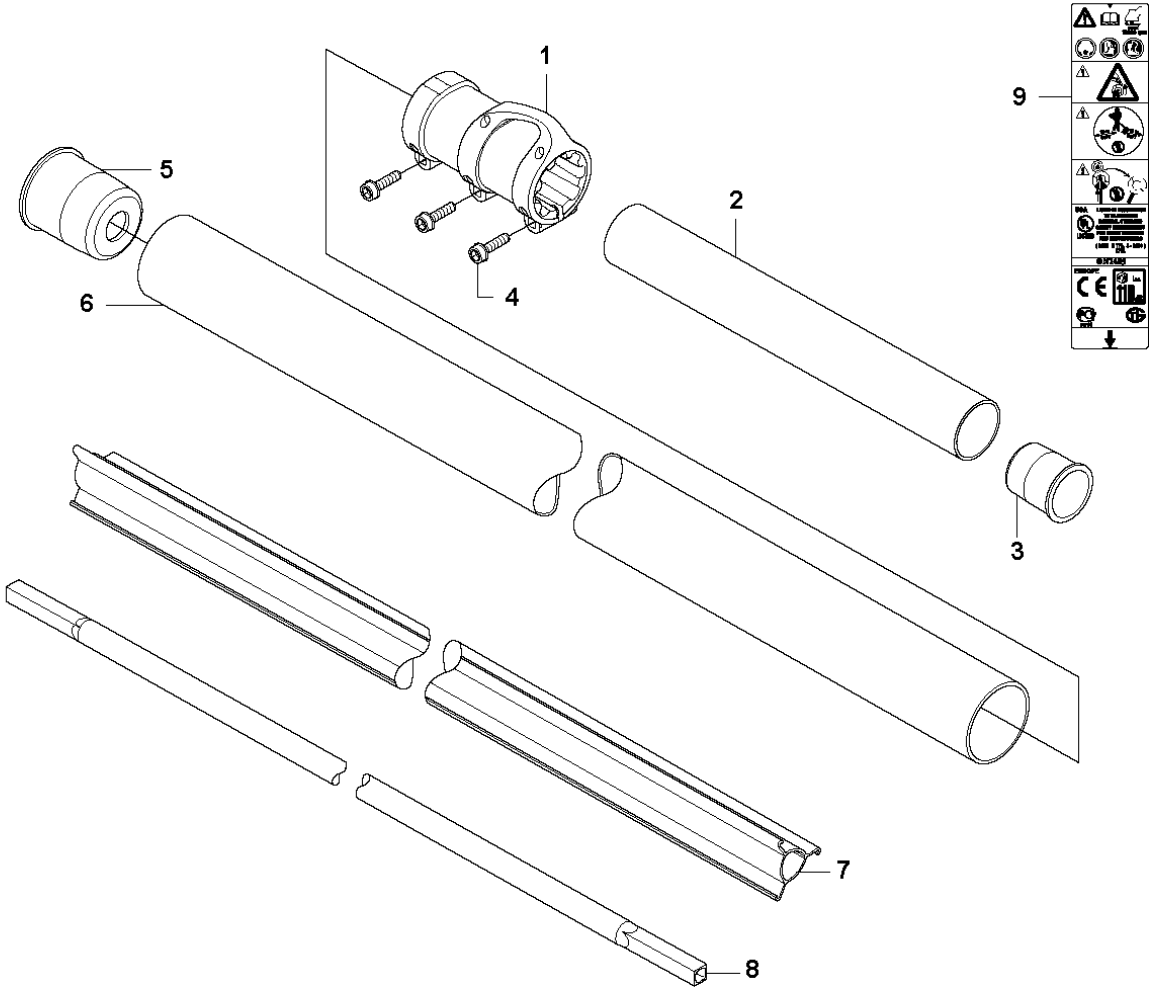


BEVEL GEAR

535 LS

Ref	Part No	Description	Remark	QTY	KIT
1	537 18 95-01	SCREW		1	
2	503 20 02-10	SCREW IHSCFM		1	20
3	544 08 76-01	CLAMP		1	20
4	537 14 74-01	MAGNET		1	20
5	503 20 15-01	SCREW		1	16
6	537 29 59-02	GEAR HOUSING		1	16
7	738 21 99-00	BALL BEARING		1	16
8	503 20 03-25	SCREW IHSCFM		2	16
9	738 21 01-10	BALL BEARING		1	
10	738 21 01-12	BALL BEARING		1	16
11	735 31 28-10	CIRCLIP		1	16
12	735 31 14-00	CIRCLIP		1	16
13	505 13 33-01	SPARE PARTS KIT	535 RX, 535 RXT	1	16
13	505 13 34-01	SPARE PARTS KIT	535 RJ, 535 LS	1	16
14	503 25 28-01	BALL BEARING		1	16
15	735 31 31-10	CIRCLIP		1	16
16	544 21 64-01	GEAR	535 RX, 535 RXT	1	16
16	537 29 58-02	BEVEL GEAR	535 RJ, 535 LS	1	
17	537 35 14-02	DRIVER	"(1")"	1	
18	537 34 35-01	SUPPORT FLANGE		1	
19	502 29 11-01	BLADE NUT		1	
20	574 30 68-01	CLAMP		1	

B2 535 RJ, 535 LS
SHAFT

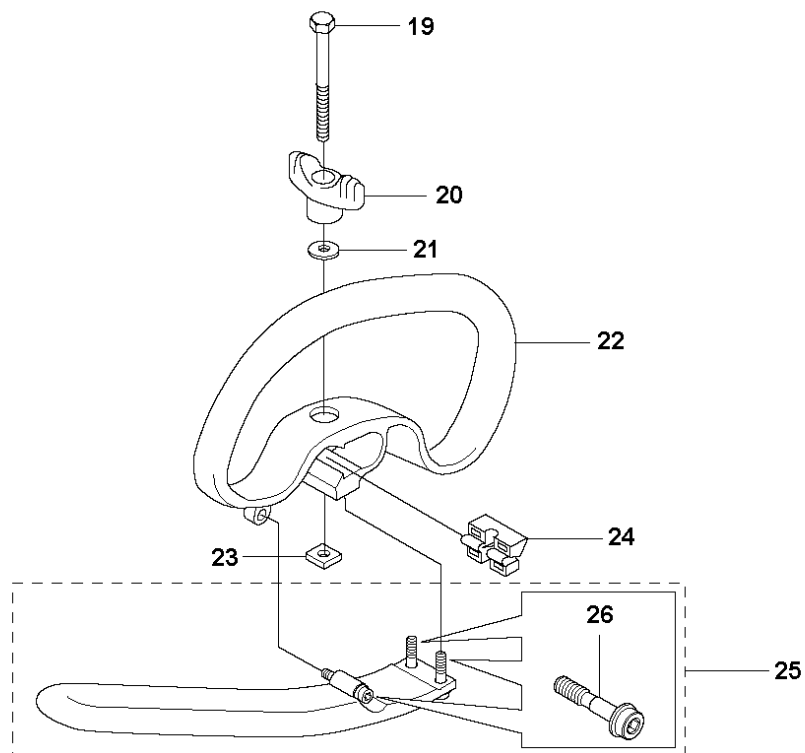
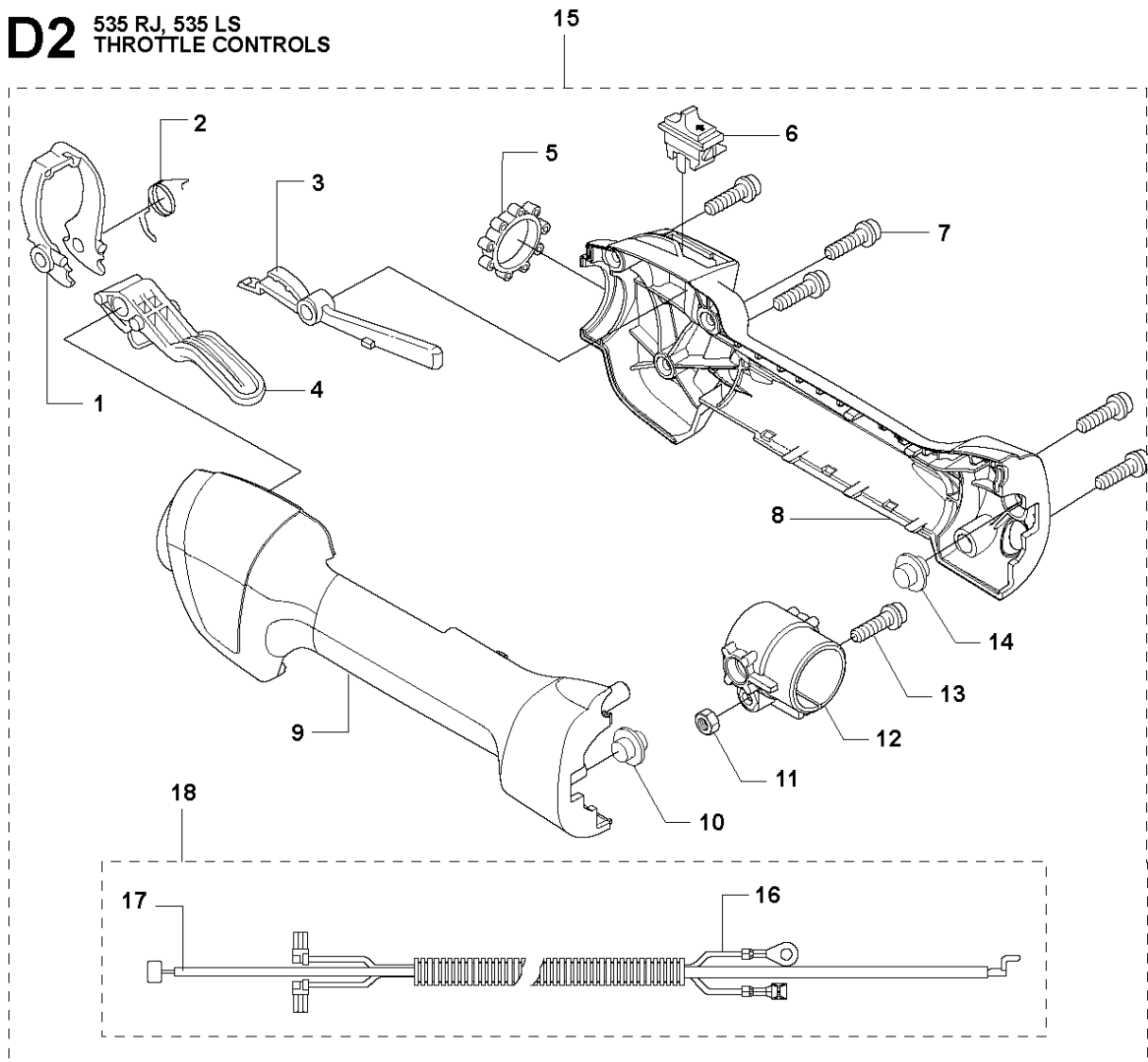


SHAFT

535 LS

Ref	Part No	Description	Remark	QTY KIT
1	544 10 18-01	SLEEVE	535 RJ, 535 LS	1
2	537 18 26-10	TUBE	Ø = 24mm, L = 330mm	1
3	537 33 44-02	SPACER		1
4	544 25 40-01	SCREW		1
5	537 36 02-01	SPACER		1
6	537 21 41-02	TUBE	Ø = 28mm, L = 1152mm	1
7	537 31 39-02	GUIDE	Ø = 9mm, L = 1115mm	1
8	537 35 52-01	DRIVE SHAFT	Ø = 8mm, L = 1527mm	1
9	589 29 51-01	LABEL		1

D2 535 RJ, 535 LS
THROTTLE CONTROLS

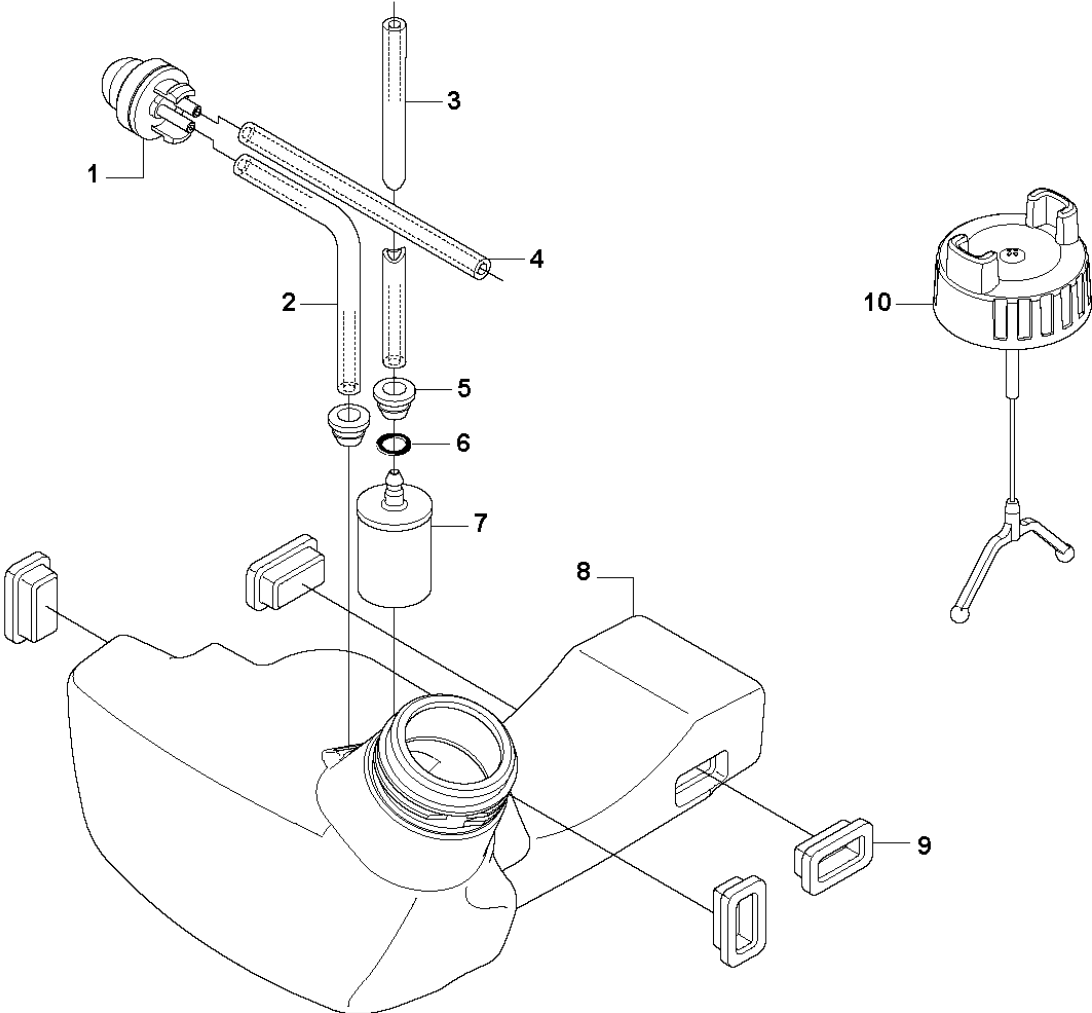


THROTTLE CONTROLS

535 LS

Ref	Part No	Description	Remark	QTY	KIT
1	503 91 81-01	THROTTLE LEVER		1	15
2	544 10 08-01	RECOIL SPRING		1	15
3	503 87 80-01	THROTTLE LOCKOUT		1	15
4	503 87 79-03	THROTTLE TRIGGER		1	15
5	503 96 14-01	ABSORBER		1	15
6	537 41 90-01	SWITCH		1	15
7	503 21 66-18	SCREW IHSC T		5	15
8	544 23 84-01	HANDLE HALF	Hard grip	1	15
8	544 10 02-02	HANDLE HALF	Soft grip	1	15
9	544 23 85-01	HANDLE HALF	Hard grip	1	15
9	544 10 03-02	HANDLE HALF	Soft grip	1	15
10	544 10 17-02	DAMPER		1	15
11	731 23 14-01	HEXAGON NUT		1	15
12	544 11 21-01	RETAINER		1	15
13	503 20 03-20	SCREW IHSCFM		1	15
14	544 10 17-02	DAMPER		1	15
15	544 14 36-02	CONTROL		1	
16	503 87 85-06	SHORT CIRCUIT CABLE		1	15, 18
17	544 17 17-02	THROTTLE WIRE ASSY		1	15, 18
18	544 14 49-01	WIRING ASSY		1	15
19	725 23 80-51	SCREW EHHM		1	
20	503 87 90-01	KNOB		1	
21	503 23 00-61	WASHER		1	
22	544 10 10-04	HANDLE.LOOP		1	
23	502 19 71-01	SQUARE NUT		1	
24	544 10 11-01	BLOCK.SPACING		1	
25	503 99 78-01	HANDLE	Spare part incl. Screws Pos. 26	1	
26	574 18 15-01	SCREW IHSCFTO	Captive screws	3	25

E 535 RX, 535 RJ, 535 RXT, 535 LS
FUEL TANK

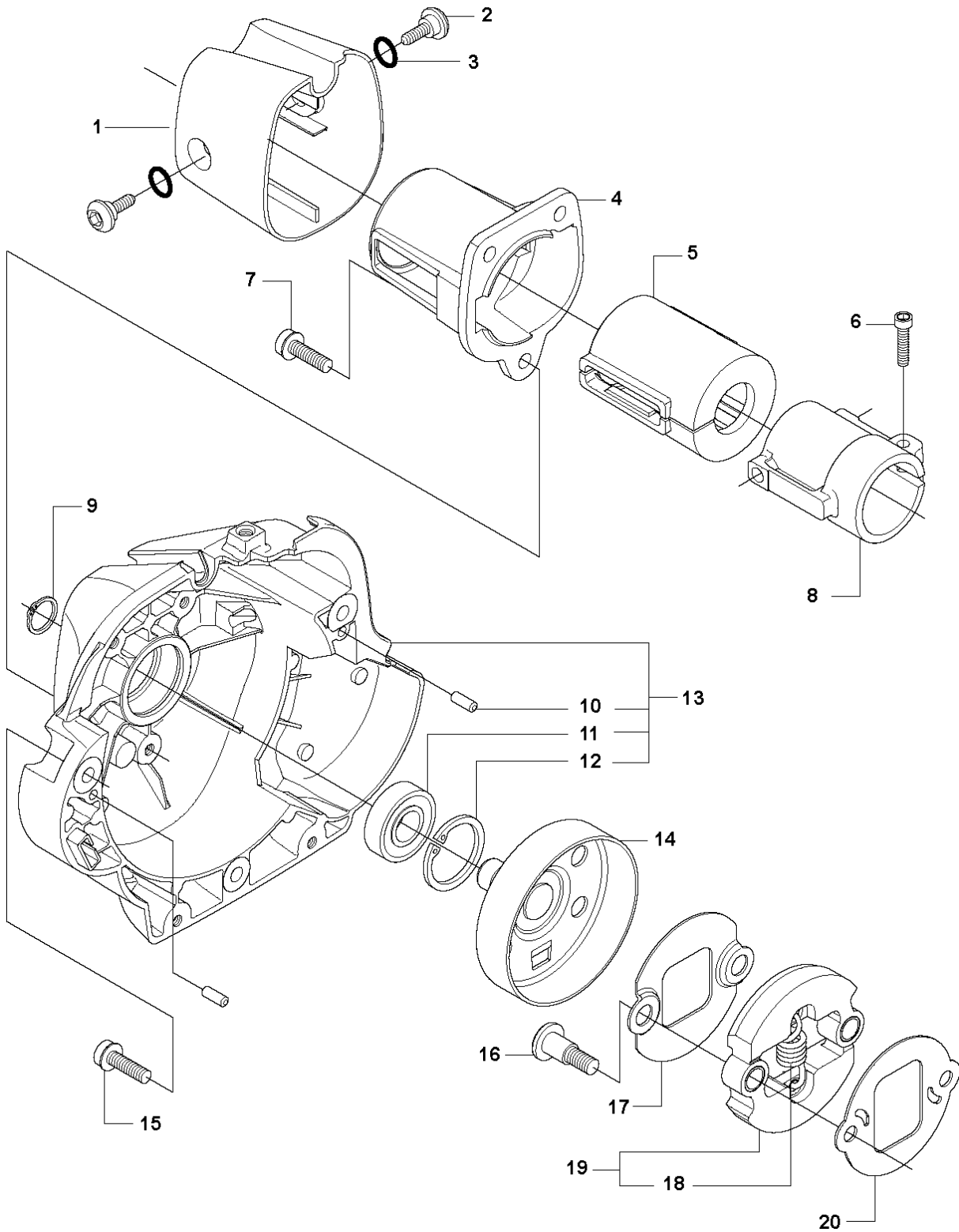


FUEL TANK

535 LS

Ref	Part No	Description	Remark	QTY KIT
1	503 93 66-01	PURGE		1
2	537 04 24-12	FUEL HOSE		1
3	537 05 23-01	FUEL HOSE		1
4	537 04 24-12	FUEL HOSE		1
5	503 73 58-01	BUSHING		2
6	537 18 49-01	O-RING		1
7	503 44 32-01	FUEL FILTER		1
8	544 32 88-01	TANK ASSY		1
9	503 91 10-01	SUSPENSION		4
10	503 91 18-02	TANK CAP		1

F 535 RX, 535 RJ, 535 RXT, 535 LS
CLUTCH

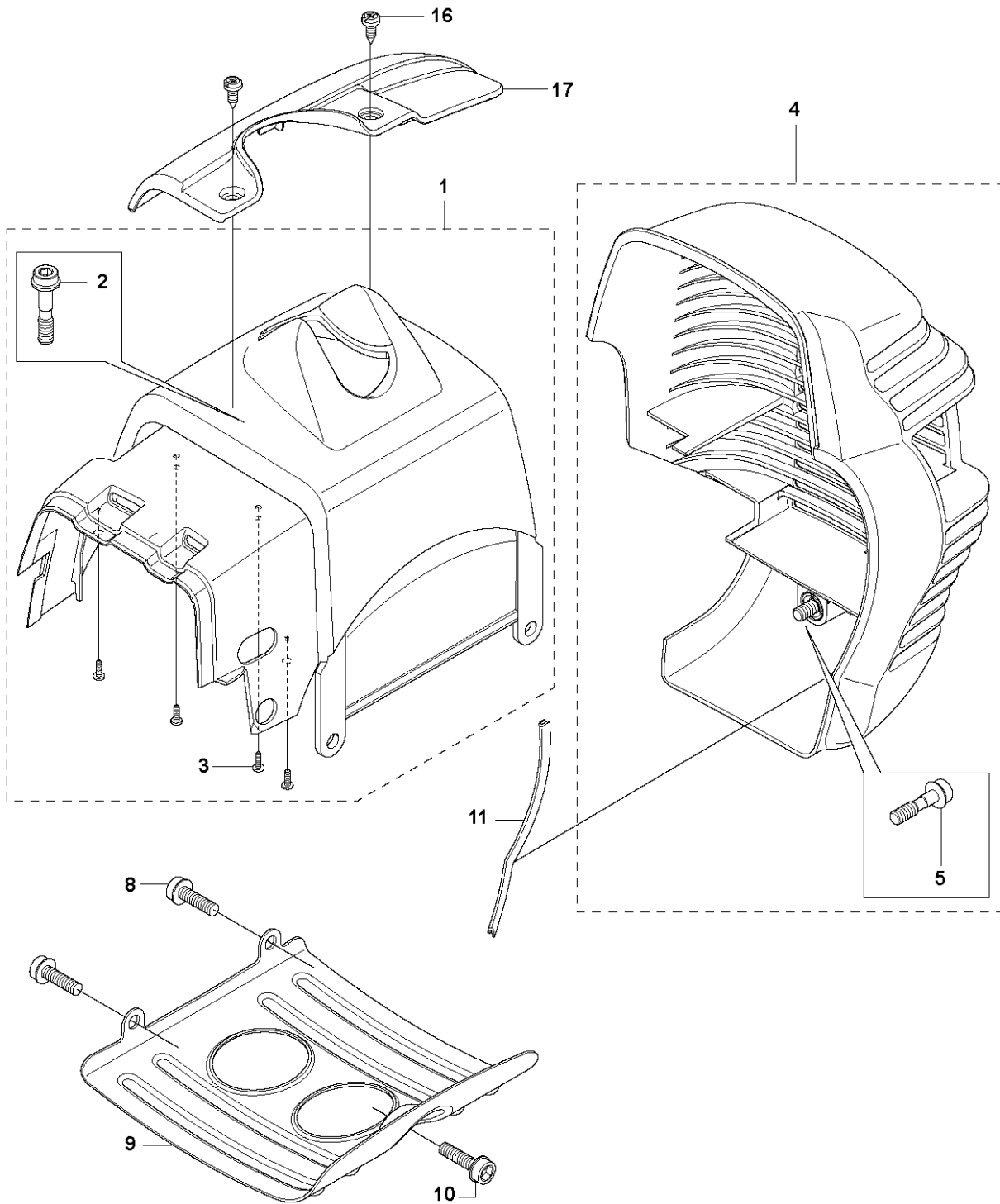






CLUTCH

535 LS

Ref	Part No	Description	Remark	QTY	KIT
1	544 11 97-01	COVER	535 RJ, 535 LS	1	
1	537 32 61-01	COVER	535 RX, 535 RXT	1	
2	503 96 13-01	SCREW		2	
3	740 42 06-00	O-RING		2	
4	537 31 00-01	COVER		1	
5	537 32 27-01	ANTIVIBRATION ELEMENT		1	
6	725 53 33-55	SCREW IHSCM		1	
7	503 20 03-20	SCREW IHSCFM		3	
8	537 31 01-01	COMPRESSION SLEEVE	535 RX, 535 RXT	1	
8	537 31 01-02	COMPRESSION SLEEVE	535 RJ, 535 LS	1	
9	735 31 14-00	CIRCLIP		1	
10	503 24 07-02	PARALLEL PIN		2	13
11	738 21 01-04	BALL BEARING		1	13
12	735 31 28-10	CIRCLIP		1	13
13	537 30 29-01	CLUTCH COVER		1	
14	537 35 29-01	CLUTCH DRUM		1	
15	503 20 03-20	SCREW IHSCFM		3	
16	537 41 81-01	SCREW		2	
17	537 41 57-01	WASHER		1	
18	537 42 72-01	SPRING		1	19
19	537 34 04-01	CLUTCH		1	
20	537 04 68-01	WASHER		1	

G 535 RX, 535 RJ, 535 RXT, 535 LS
CYLINDER COVER



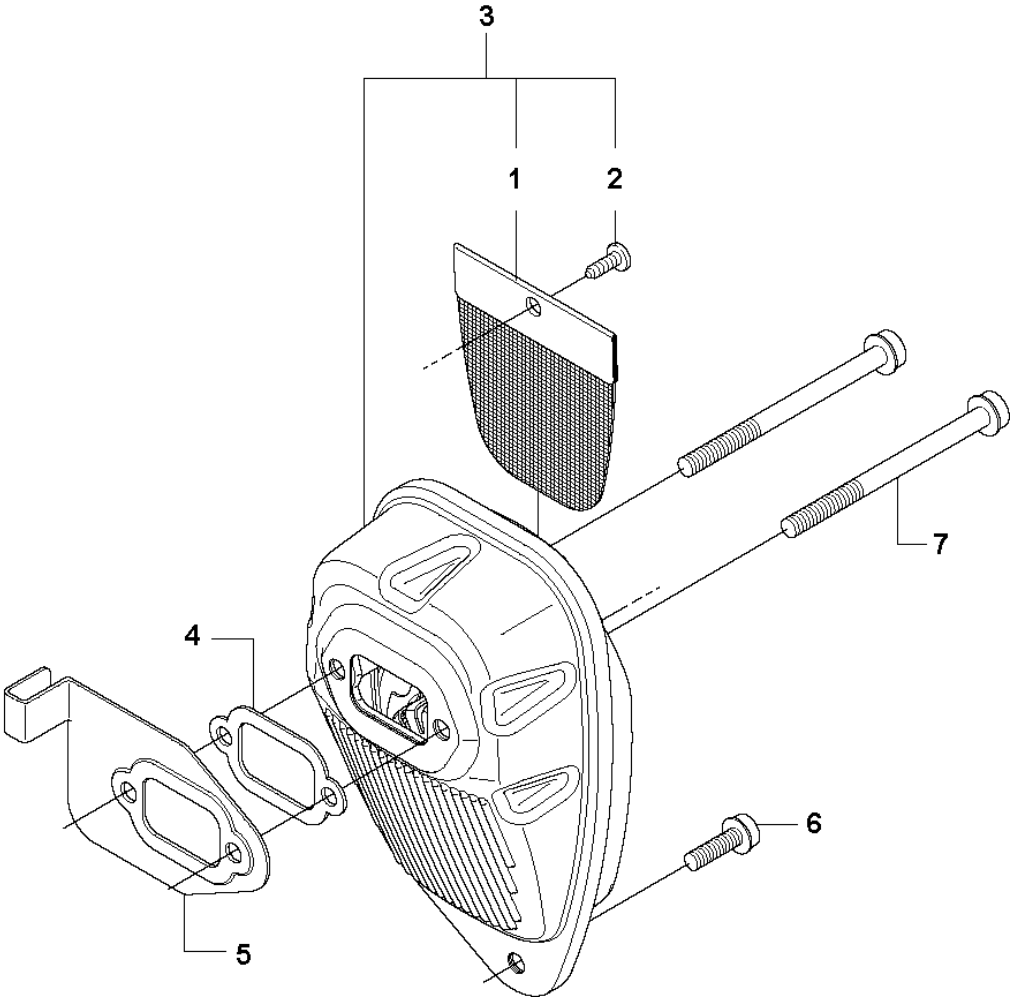
- 12 — 
- 13 — 
- 14 — 
- 15 — 

CYLINDER COVER

535 LS

Ref	Part No	Description	Remark	QTY	KIT
1	544 16 01-03	CYLINDER COVER	Spare part incl. Screws Pos. 2	1	
2	573 99 43-04	SCREW IHSCFMO	Captive screws	1	1
3	503 21 29-10	SCREW CCRPANT		4	1
4	537 42 51-02	HEAT PROTECTOR	Spare part incl. Screws Pos. 5	1	
5	574 47 70-03	SCREW IHSCFMO	Captive screws	1	4
8	503 21 75-16	SCREW IHSCFT		2	
9	537 35 72-01	PROTECTIVE PLATE		1	
10	503 21 75-16	SCREW IHSCFT		1	
11	544 02 98-01	BAR		1	
12	576 99 86-10	LABEL	535 RXT	1	
13	576 99 86-11	LABEL	535 RX	1	
14	576 99 86-12	LABEL	535 RJ	1	
15	576 99 86-13	LABEL	535 LS	1	
16	503 21 35-02	SCREW	535 RJ, 535 LS	2	
17	502 43 39-01	ARM PROTECTION	535 RJ, 535 LS	1	

H 535 RX, 535 RJ, 535 RXT, 535 LS
MUFFLER

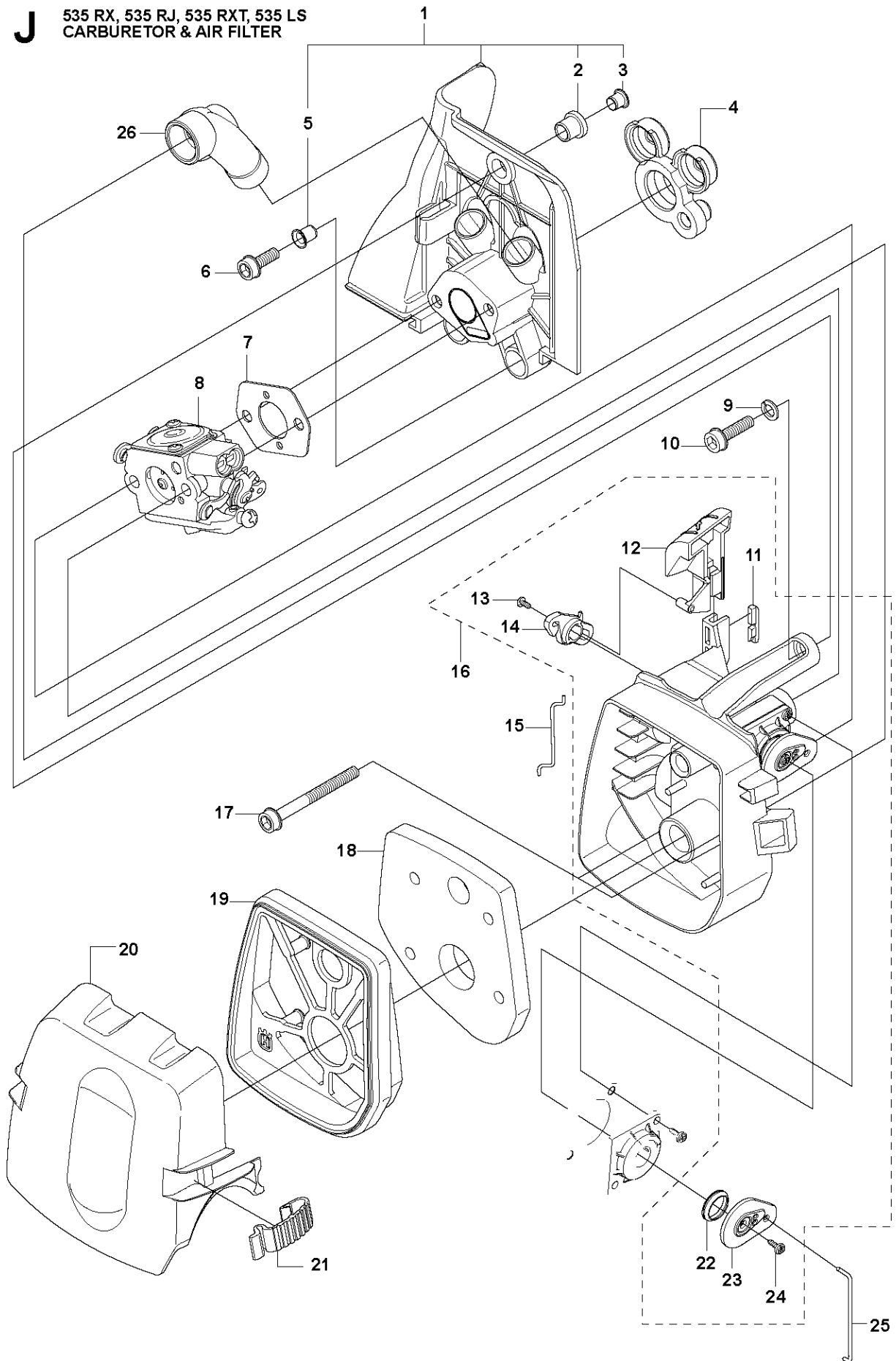


MUFFLER

535 LS

Ref	Part No	Description	Remark	QTY	KIT
1	544 11 68-01	SPARK ARRESTER SCREEN		1	3
2	724 12 87-59	SCREW CRPANM		1	3
3	505 40 86-01	MUFFLER ASSY	Cat	1	
4	537 33 31-01	GASKET		1	
5	537 34 08-01	AIR CONDUCTOR		1	
6	503 20 03-20	SCREW IHSCFM		1	
7	503 20 29-63	SCREW IHSCFM		2	

J 535 RX, 535 RJ, 535 RXT, 535 LS
CARBURETOR & AIR FILTER

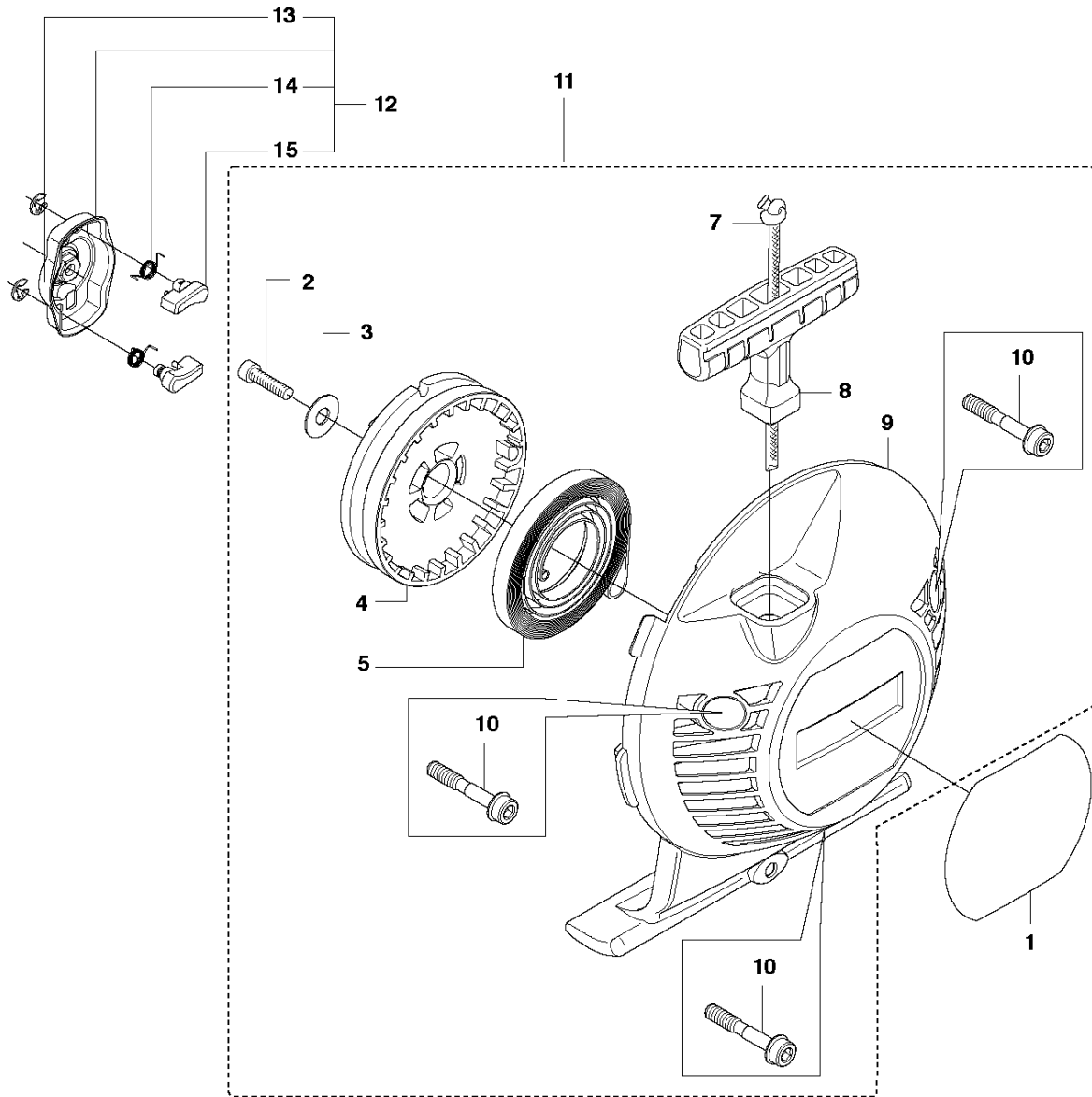


CARBURETOR & AIR FILTER

535 LS

Ref	Part No	Description	Remark	QTY	KIT
1	537 37 12-02	INSULATION WALL		1	
2	537 37 11-01	SLEEVE		1	1
3	544 01 91-01	TUBULAR RIVET		1	1
4	537 33 43-01	INLET PIPE		1	
5	537 37 38-03	TUBULAR RIVET		2	1
6	503 20 03-16	SCREW IHSCFM		2	
7	503 49 71-01	GASKET		1	
8	581 16 75-01	CARBURETTOR	(ZAMA C1Q-EL36)	1	
9	503 23 10-06	WASHER		1	
10	503 20 03-20	SCREW IHSCFM		1	
11	544 02 58-01	BAR		1	16
12	537 33 71-01	CHOKE CONTROL		1	16
13	503 21 29-06	SCREW CCRPANT		1	16
14	537 35 58-01	LEVER		1	16
15	544 37 27-01	SLEEVING BRACKET		1	
16	537 31 41-01	FILTER HOLDER		1	
17	503 21 75-50	SCREW IHSCFT		2	
18	537 33 72-01	FILTER		1	
19	537 31 42-01	FRAME		1	
20	537 31 44-01	FILTER COVER		1	
21	537 38 72-01	SNAP LOCKING		2	
22	544 01 47-01	BELLOWS		1	16
23	544 01 46-01	LEVER		1	16
24	503 21 29-06	SCREW CCRPANT		1	16
25	537 34 90-01	LEVER		1	
26	537 34 13-01	AIR DUCT		1	

K 535 RX, 535 RJ, 535 RXT, 535 LS
STARTER

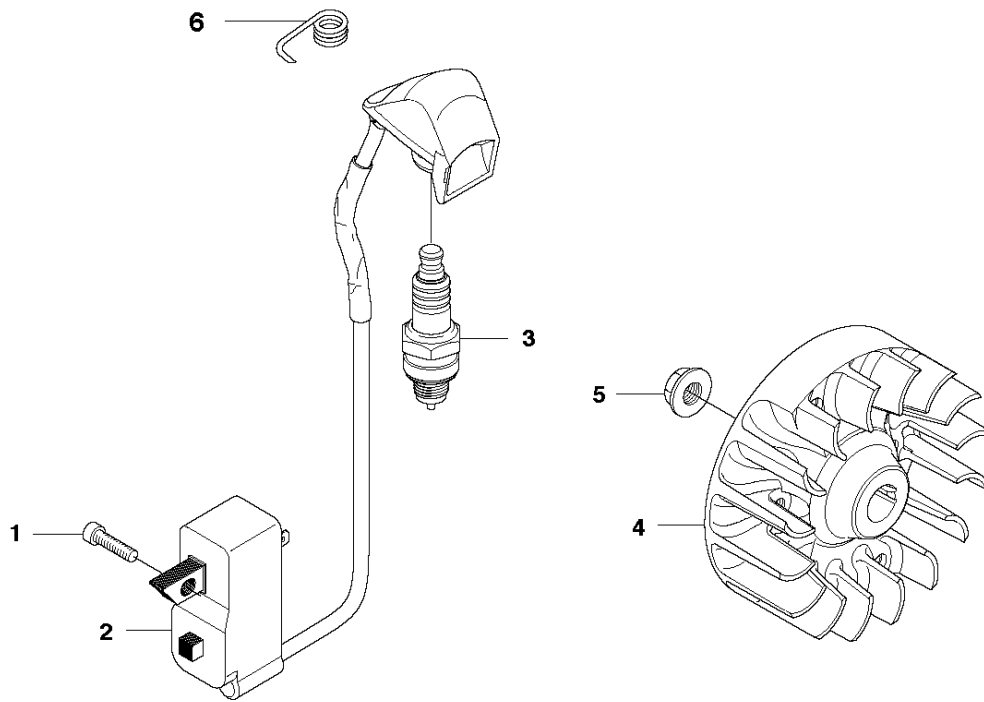


STARTER

535 LS

Ref	Part No	Description	Remark	QTY	KIT
1	577 22 36-02	DECAL		1	
2	503 21 79-20	SCREW IH SCT		1	11
3	535 07 23-01	WASHER		1	11
4	537 32 50-02	STARTER PULLEY		1	11
5	503 85 99-01	RECOIL SPRING		1	11
7	505 30 51-25	STARTER CORD		1	11
8	503 54 39-01	STARTER HANDLE		1	11
9	544 10 25-02	STARTER	Spare part adapted for captive screws	1	11
10	573 99 43-05	SCREW IH SCFMO	Captive screws	3	
11	537 21 47-07	STARTER ASSY		1	
12	503 87 33-05	STARTER PAWL		1	
13	735 31 08-20	E-CLIP		2	12
14	503 87 36-01	SPRING		1	12
15	503 87 35-02	STARTER PAWL		2	12

L 535 RX, 535 RJ, 535 RXT, 535 LS
IGNITION

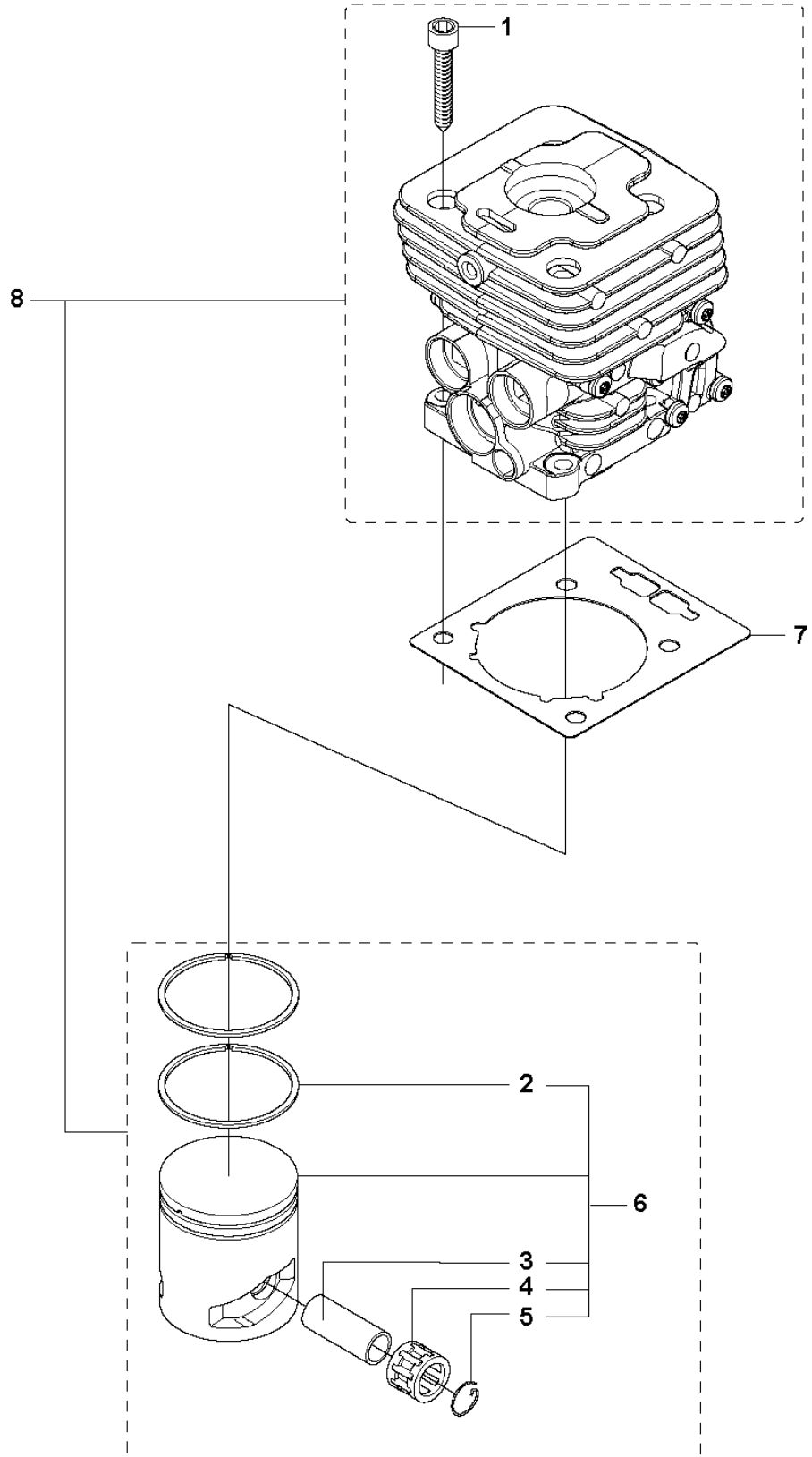


IGNITION SYSTEM

535 LS

Ref	Part No	Description	Remark	QTY KIT
1	503 21 66-18	SCREW IHSCT		2
2	544 12 70-02	IGNITION MODULE		1
3	503 23 51-09	SPARK PLUG	CH RCJ6Y (Ø=14 mm)	1
4	537 24 96-01	FLYWHEEL		1
5	731 71 16-51	HEXAGON NUT FLANGE		1
6	537 23 93-01	CONTACT SPRING		1

M 535 RX, 535 RJ, 535 RXT, 535 LS
CYLINDER PISTON

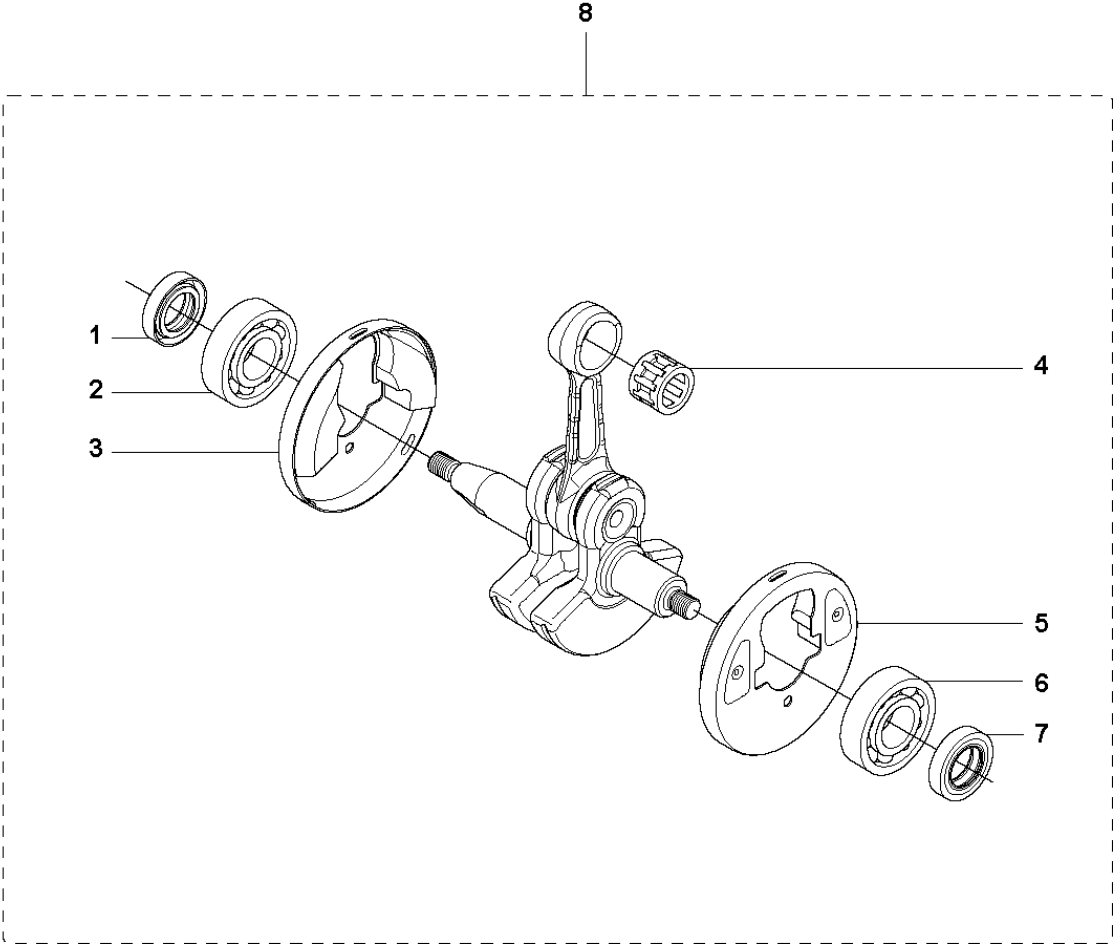


CYLINDER PISTON

535 LS

Ref	Part No	Description	Remark	QTY	KIT
1	725 53 33-55	SCREW IHSCM		4	8
2	503 28 90-54	PISTON RING		2	6,8
3	503 28 91-19	PISTON PIN		1	6,8
4	503 41 41-01	NEEDLE BEARING		1	6,8
5	737 44 10-00	SNAP RING		2	6,8
6	585 99 83-02	PISTON ASSY		1	8
7	537 33 30-02	GASKET		1	
8	544 40 06-01	CYLINDER ASSY	Ø = 38mm. 574 36 43-01	1	

N 535 RX, 535 RJ, 535 RXT, 535 LS
CRANK SHAFT

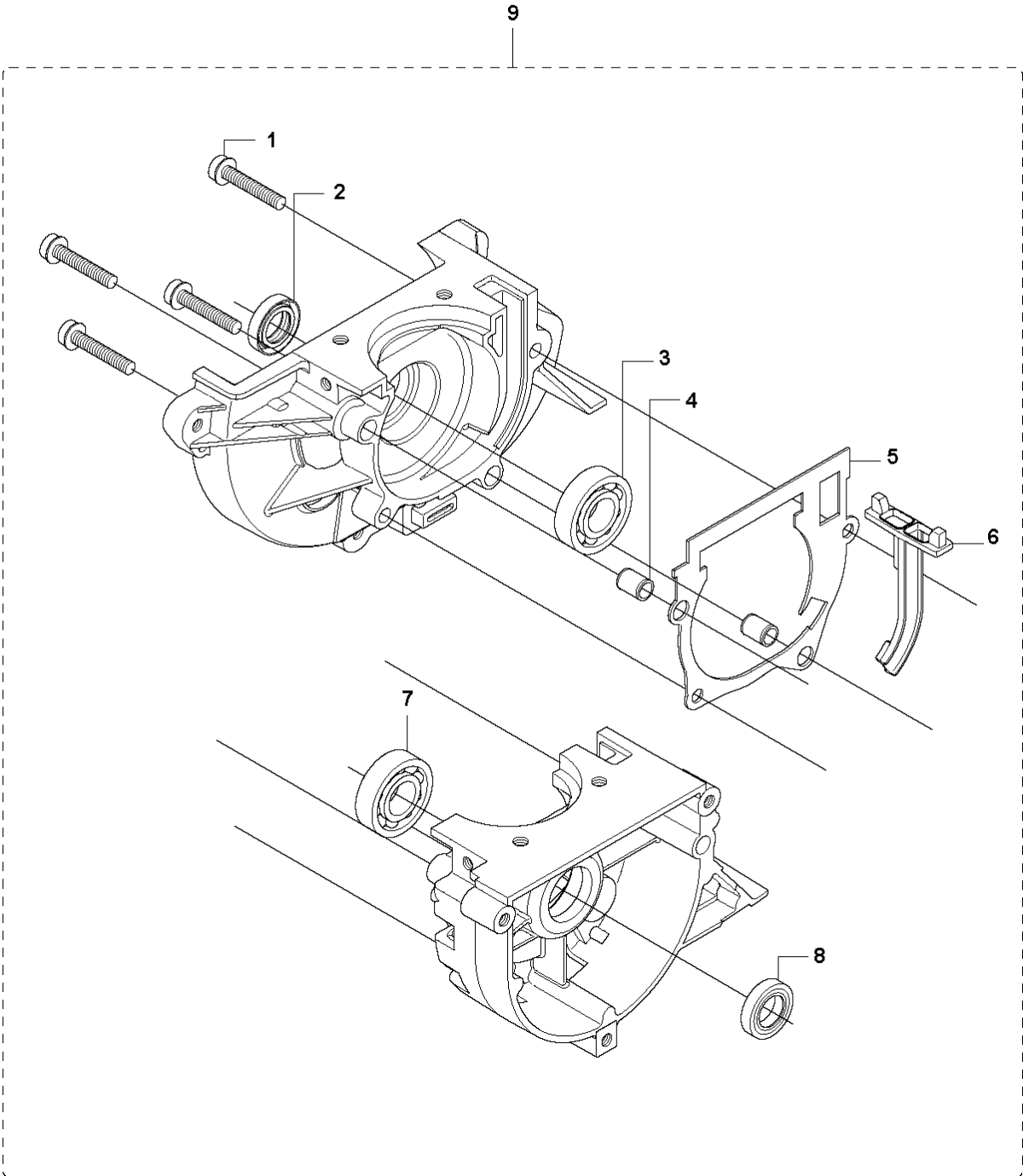


CRANKSHAFT

535 LS

Ref	Part No	Description	Remark	QTY	KIT
1	503 26 02-02	SEALING RING		1	8
2	738 21 01-10	BALL BEARING		1	8
3	537 29 76-01	CUP		1	8
4	503 41 41-01	NEEDLE BEARING		1	8
5	537 29 76-01	CUP		1	8
6	738 21 01-10	BALL BEARING		1	8
7	503 26 02-02	SEALING RING		1	8
8	544 03 90-01	CRANKSHAFT ASSY		1	

P 535 RX, 535 RJ, 535 RXT, 535 LS
CRANKCASE



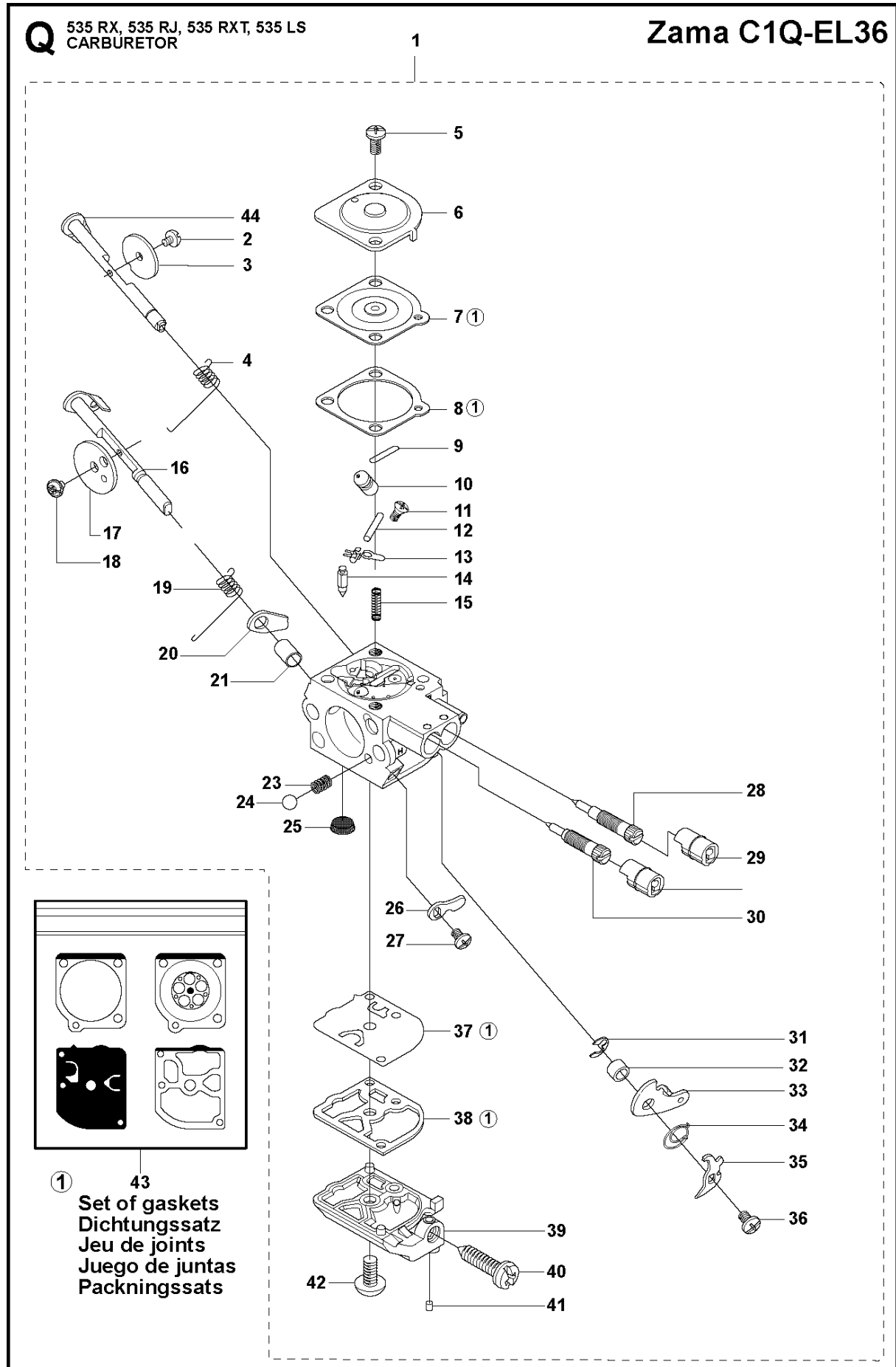
CRANKCASE

535 LS

Ref	Part No	Description	Remark	QTY	KIT
1	503 20 02-30	SCREW IHSCFM		4	9
2	503 26 02-02	SEALING RING		1	9
3	738 21 01-10	BALL BEARING		1	9
4	593 80 60-01	GUIDE BUSHING		2	9
5	593 77 76-01	GASKET		1	9
6	537 32 42-01	INSERT		1	9
7	738 21 01-10	BALL BEARING		1	9
8	503 26 02-02	SEALING RING		1	9
9	544 03 89-01	CRANKCASE ASSY		1	

Q 535 RX, 535 RJ, 535 RXT, 535 LS
CARBURETOR

Zama C1Q-EL36

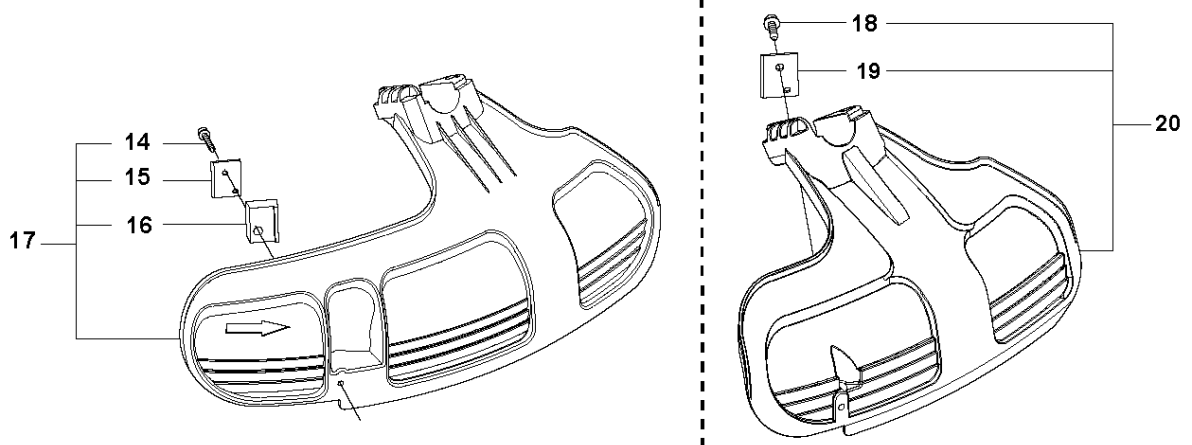
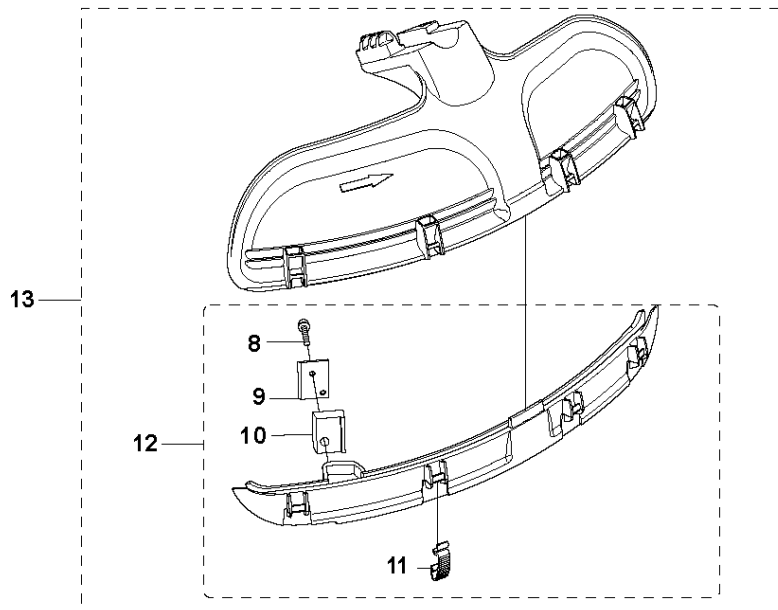
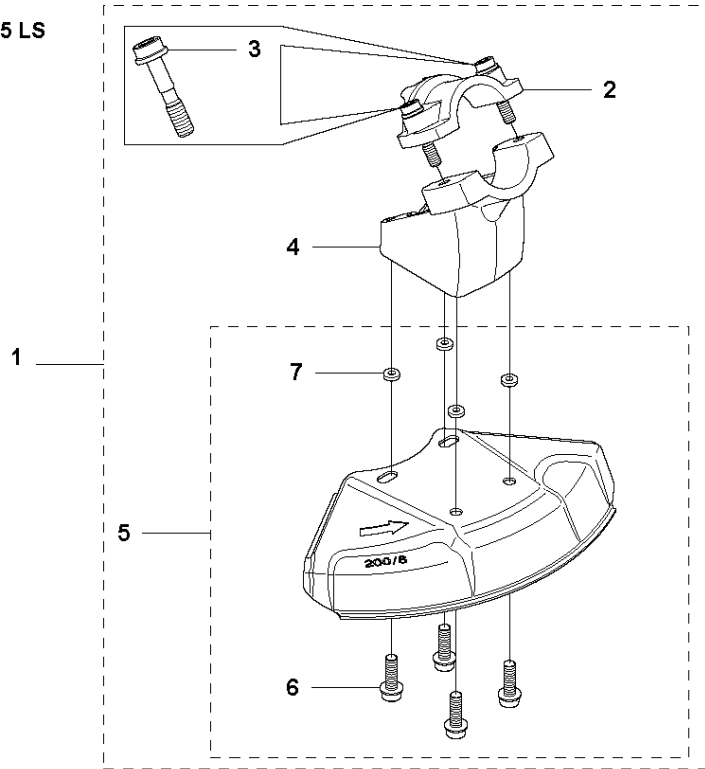


CARBURETOR

535 LS

Ref	Part No	Description	Remark	QTY	KIT
1	544 32 56-01	CARBURETTOR		1	
2	503 47 92-01	SCREW		1	1
3	537 41 72-01	VALVE		1	1
4	544 37 24-01	SPRING		1	1
5	503 48 05-01	SCREW		2	1
6	503 97 43-01	COVER		1	1
7	537 04 89-01	DIAPHRAGM		1	1, 43
8	537 02 04-01	GASKET		1	1, 43
9	503 53 56-01	PLUG WELCH		1	1
10	537 38 73-01	NOZZLE ASSY		1	1
11	503 48 01-01	SCREW		1	1
12	503 48 00-01	PIN RETAINING SCREW		1	1
13	503 66 59-01	LEVER		1	1
14	503 47 97-01	VALVE		1	1
15	537 02 03-01	SPRING		1	1
16	544 37 22-01	SHAFT ASSY		1	1
17	537 02 11-01	VALVE		1	1
18	503 48 18-01	SCREW		1	1
19	544 37 26-01	SPRING		1	1
20	544 37 25-01	LEVER		1	1
21	544 42 70-01	COLLAR		1	1
23	537 01 26-01	SPRING		1	1
24	537 01 25-01	BALL		1	1
25	503 48 13-01	STRAINER		1	1
26	544 37 23-01	LEVER		1	1
27	503 47 90-01	SCREW		1	1
28	537 41 69-01	SCREW		1	1
29	537 41 70-01	LIMITER CAP		2	1
30	537 38 75-01	SCREW		1	1
31	537 38 52-01	CLIP		1	1
32	537 41 77-01	COLLAR		1	1
33	537 41 73-01	LEVER		1	1
34	537 41 78-01	SPRING THROTT.RETURN		1	1
35	537 41 74-01	LEVER		1	1
36	503 47 90-01	SCREW		1	1
37	537 02 00-01	DIAPHRAGM PUMP		1	1, 43
38	537 02 01-01	GASKET		1	1, 43
39	537 41 68-01	COVER		1	1
40	537 02 07-01	SCREW		1	1
41	503 48 11-01	PIECE		1	1
42	503 47 96-01	SCREW		1	1
43	531 00 45-52	GASKET KIT		1	
44	537 38 74-01	SHAFT ASSY		1	1

R1 535 RX, 535 RJ, 535 RXT, 535 LS
ACCESSORIES

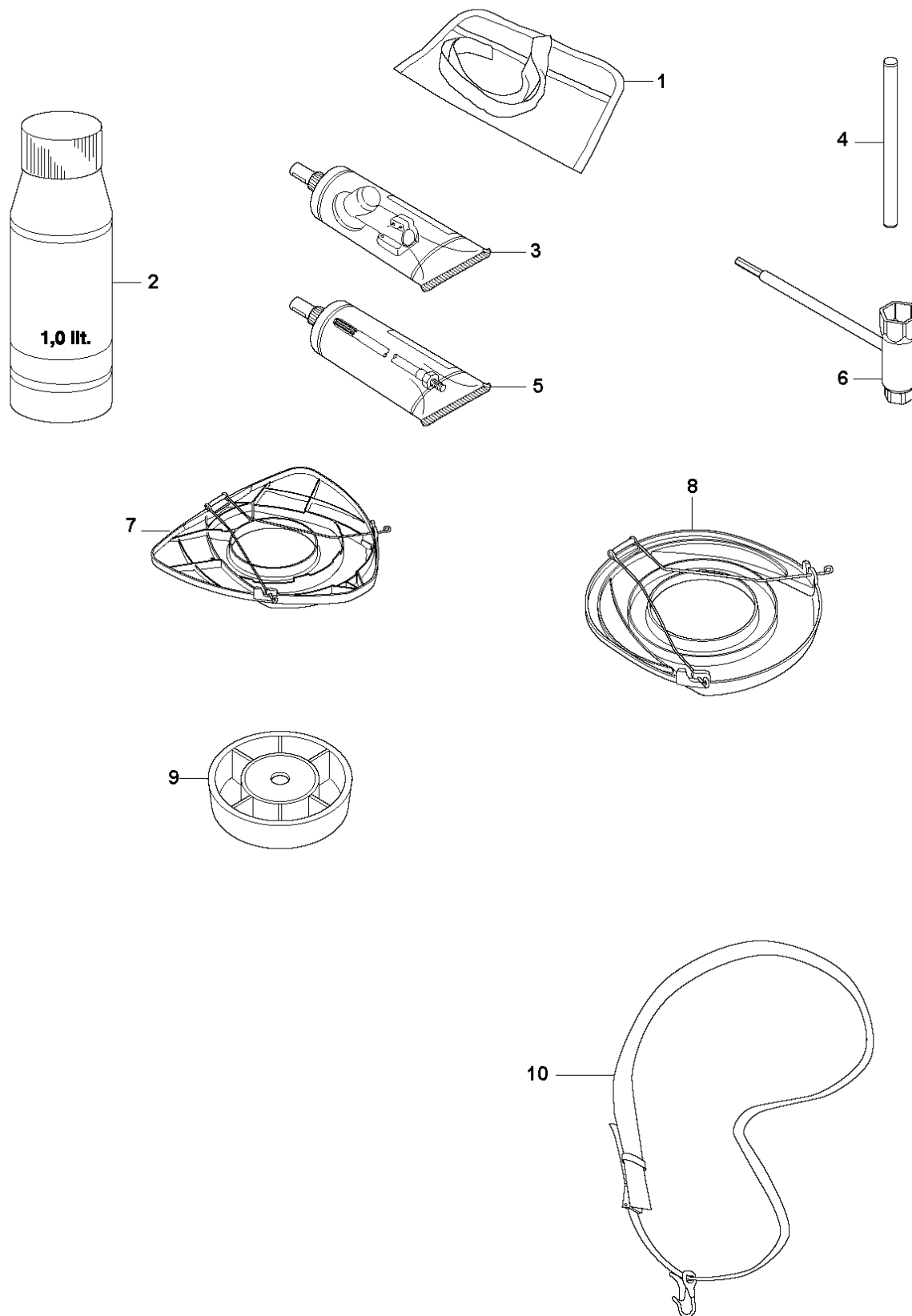


ACCESSORIES

535 LS

Ref	Part No	Description	Remark	QTY KIT	
1	501 32 04-02	SAW BLADE GUARD	Incl. Pos. 2-7	1	
2	574 53 06-01	CLAMP	Spare part incl. Screws Pos. 3	1	1
3	573 99 43-04	SCREW IHSCFMO	Captive Screw M5	2	1, 2
4	501 32 08-01	ADAPTER		1	1
5	574 53 26-01	BLADE GUARD	Incl. Pos. 6-7	1	1
6	503 20 02-16	SCREW IHSCFM		4	1, 5
7	574 03 95-01	LOCK NUT		4	1, 5
8	503 21 07-16	SCREW IHSCFT	535 RX, 535 RXT	1	13
8	503 21 68-25	SCREW IHSCFT	535 LS, 535 RJ	1	13
9	503 79 88-02	BLADE		1	13
10	544 12 45-01	RETAINER	535 LS, 535 RJ	1	13
11	537 38 72-01	SNAP LOCKING		4	13
12	537 39 63-01	SPLASH GUARD	535 RX, 535 RXT	1	13
12	537 39 63-03	SPLASH GUARD	535 LS, 535 RJ	1	
13	537 33 16-01	COMBI GUARD	535 RX, 535 RXT	1	
13	537 33 16-03	SPLASH GUARD	535 LS, 535 RJ	1	
14	503 21 68-25	SCREW IHSCFT		1	17
15	503 79 88-02	BLADE		1	17
16	544 12 45-01	RETAINER		1	17
17	537 34 94-03	TRIMMER GUARD	535 LS, 535 RJ	1	
18	503 21 68-25	SCREW IHSCFT		1	20
19	503 79 88-02	BLADE		1	20
20	502 44 81-01	TRIMMER GUARD ASSY		1	

R2 535 RX, 535 RJ, 535 RXT, 535 LS
ACCESSORIES



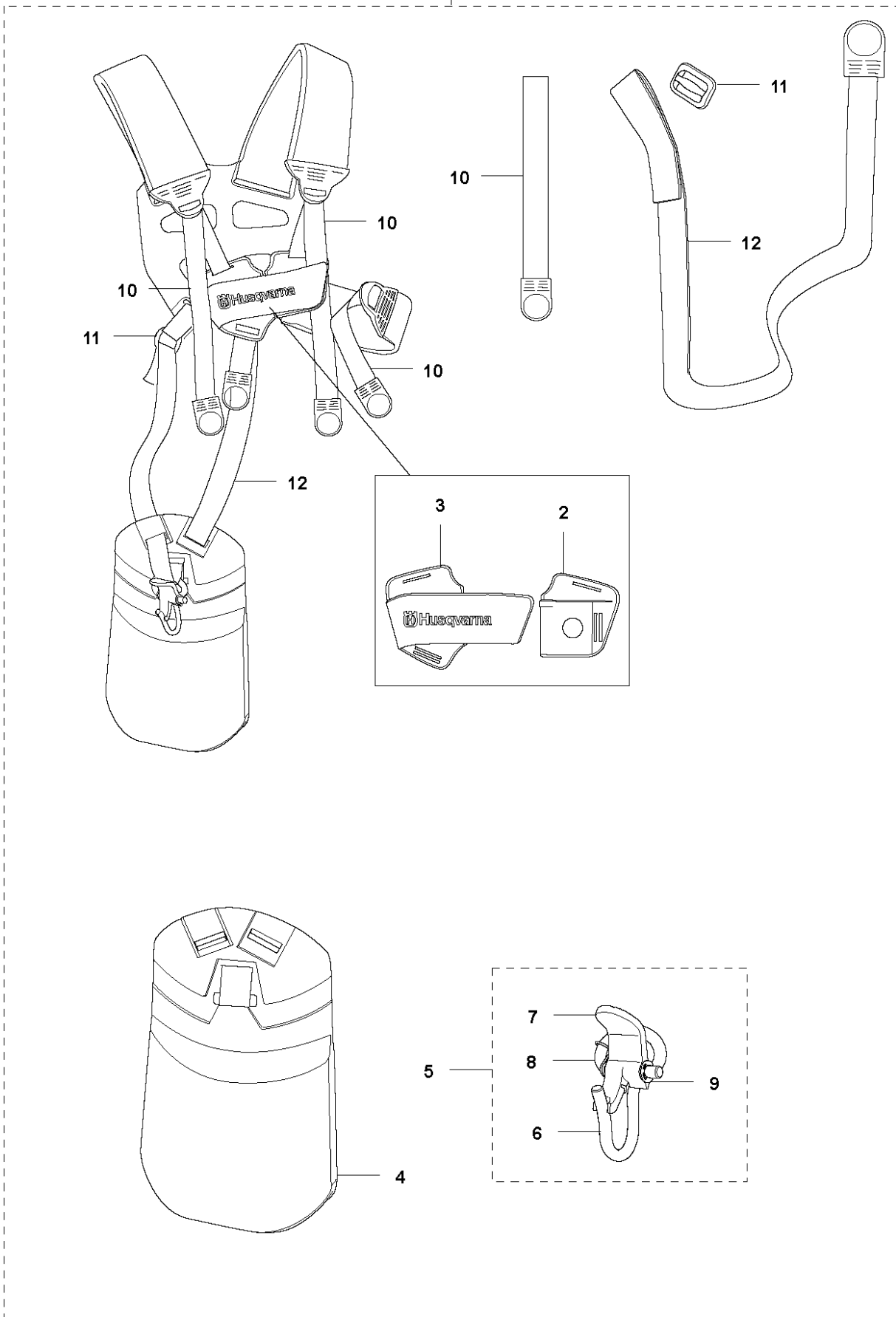
ACCESSORIES

535 LS

Ref	Part No	Description	Remark	QTY KIT
1	501 19 22-01	TOOL		1
2	531 00 92-48	FILTER OIL	Oil Airfilter	1
3	503 97 64-01	GREASE		1
4	502 28 59-01	STOP		1
5	503 80 17-01	GREASE		1
6	537 36 21-01	COMBINATION WRENCH		1
7	544 35 91-01	TRANSPORT GUARD		1
8	537 31 29-01	TRANSPORT GUARD	200-275 mm	1
9	503 89 01-02	SUPPORT CUP		1
10	537 21 62-01	HARNESS		1
10	537 21 62-02	HARNESS	USA	1

S DUO BALANCE 35
HARNESS

1

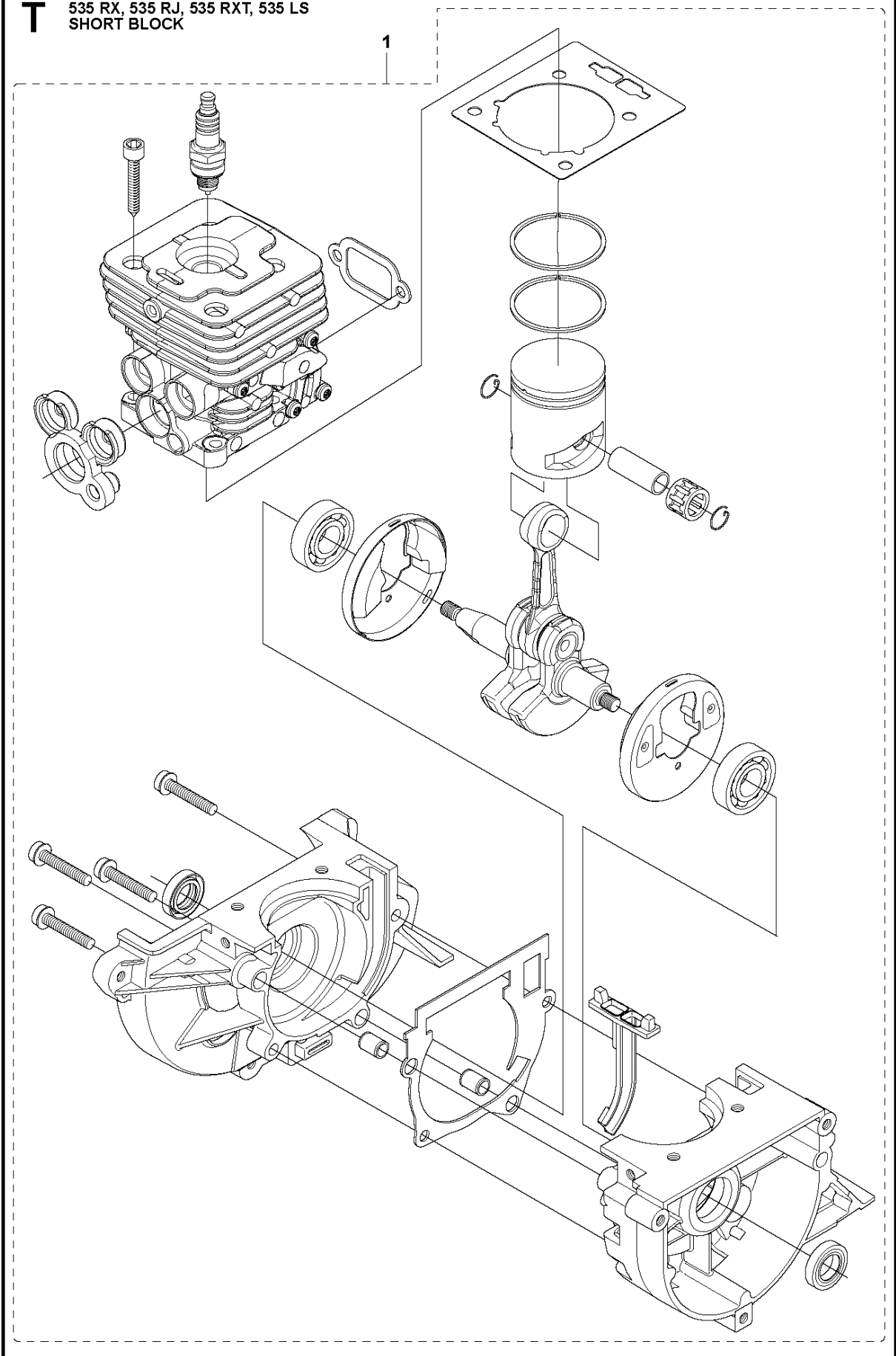


HARNESSES

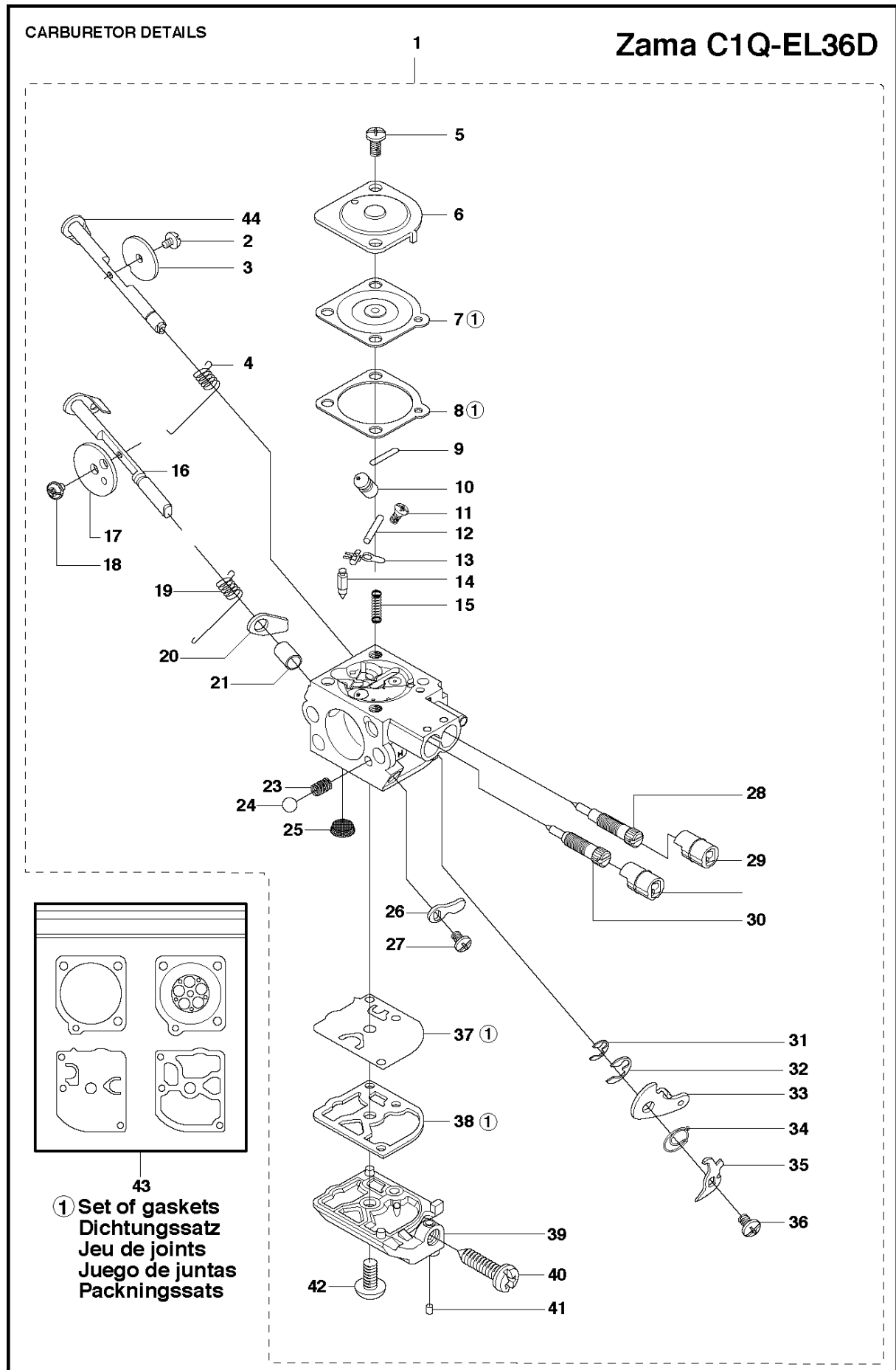
535 LS

Ref	Part No	Description	Remark	QTY KIT	
1	537 27 57-02	HARNESSES		1	
1	537 27 57-04	HARNESSES	US	1	
2	537 28 83-01	FRONT PIECE		1	1
3	537 28 84-01	FRONT PIECE		1	1
4	537 27 59-01	HIP PAD		1	1
5	502 02 28-01	HOOK		1	1
6	502 02 29-02	HOOK		1	1,5
7	502 02 30-02	LOCK		1	1,5
8	502 02 38-01	SPRING		1	1,5
9	735 31 09-20	E-CLIP		1	1,5
10	503 99 61-01	BAND		3	1
11	537 11 35-01	RETAINER		1	1
12	503 99 61-03	BAND		1	1

T 535 RX, 535 RJ, 535 RXT, 535 LS
SHORT BLOCK



Ref	Part No	Description	Remark	QTY KIT
1	576 79 68-01	SHORT BLOCK	Assembled	1



CARBURETOR

535 LS

Ref	Part No	Description	Remark	QTY	KIT
1	581 16 75-01	CARBURETTOR		1	
2	503 47 92-01	SCREW		1	1
3	537 41 72-01	VALVE		1	1
4	544 37 24-01	SPRING		1	1
5	503 48 05-01	SCREW		2	1
6	503 97 43-01	COVER		1	1
7	537 04 89-01	DIAPHRAGM		1	1, 43
8	537 02 04-01	GASKET		1	1, 43
9	503 53 56-01	PLUG WELCH		1	1
10	581 89 95-01	MAIN NOZZLE		1	1
11	503 48 01-01	SCREW		1	1
12	503 48 00-01	PIN RETAINING SCREW		1	1
13	503 66 59-01	LEVER		1	1
14	503 47 97-01	VALVE		1	1
15	503 47 81-01	SPRING		1	1
16	544 37 22-01	SHAFT ASSY		1	1
17	537 37 03-01	VALVE		1	1
18	503 48 18-01	SCREW		1	1
19	544 37 26-01	SPRING		1	1
20	544 37 25-01	LEVER		1	1
21	544 42 70-01	COLLAR		1	1
23	537 01 26-01	SPRING		1	1
24	537 01 25-01	BALL		1	1
25	503 48 13-01	STRAINER		1	1
26	544 37 23-01	LEVER		1	1
27	503 47 90-01	SCREW		1	1
28	537 41 69-01	SCREW		1	1
29	537 41 70-01	LIMITER CAP		2	1
30	581 89 93-01	SCREW		1	1
31	537 38 52-01	CLIP		1	1
32	537 38 50-01	CLIP		1	1
33	537 41 73-01	LEVER		1	1
34	576 74 66-01	SPRING		1	1
35	537 41 74-01	LEVER		1	1
36	502 07 84-01	SCREW		1	1
37	537 02 00-01	DIAPHRAGM PUMP		1	1, 43
38	537 02 01-01	GASKET		1	1, 43
39	537 41 68-01	COVER		1	1
40	537 02 07-01	SCREW		1	1
41	503 48 11-01	PIECE		1	1
42	503 47 96-01	SCREW		1	1
43	531 00 45-52	GASKET KIT		1	
44	544 37 21-01	SHAFT ASSY		1	1