

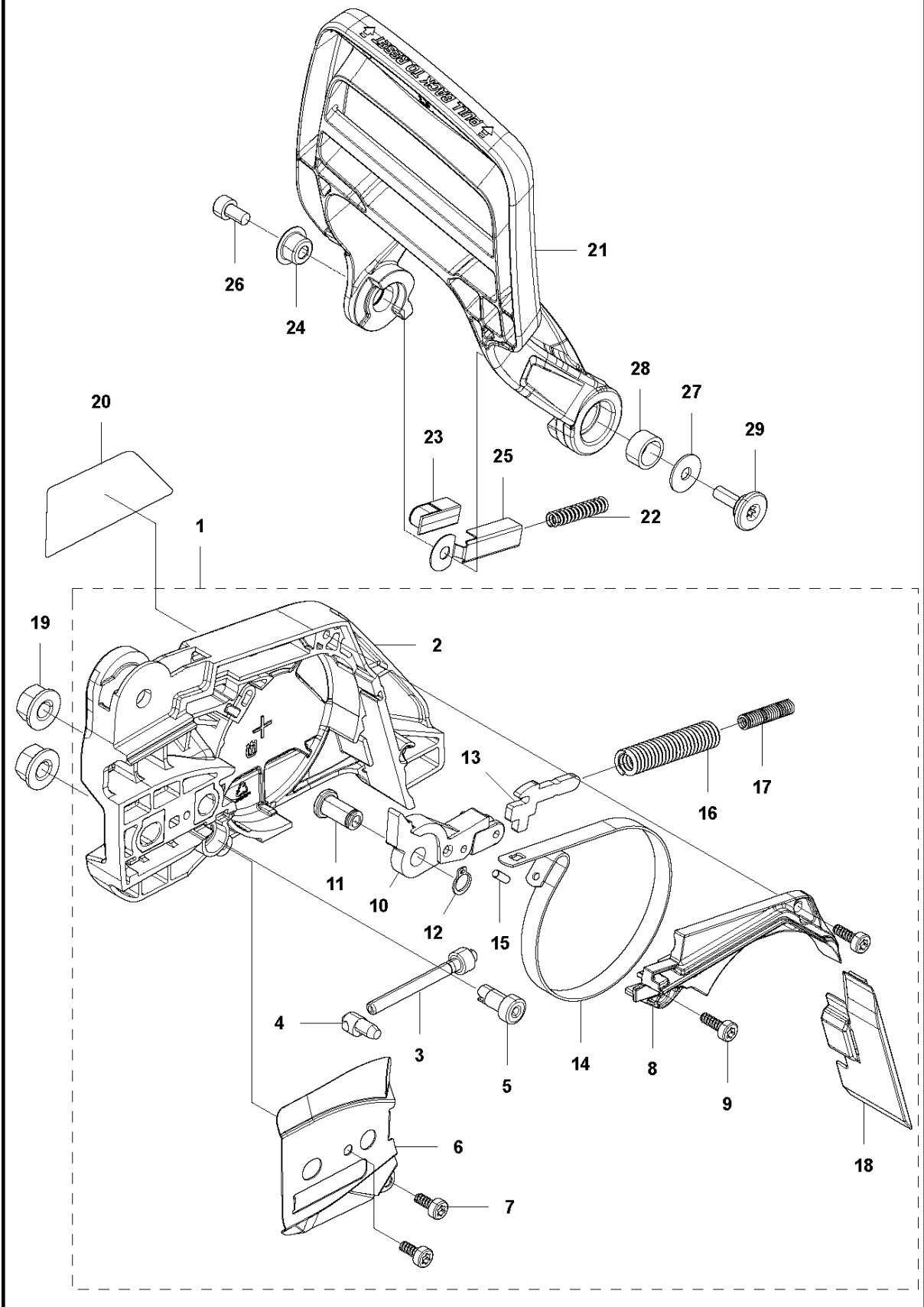


SPARE PARTS LIST

CHAIN SAWS

543 XP

A 543XP, 543XPG
CHAIN BRAKE & CLUTCH COVER

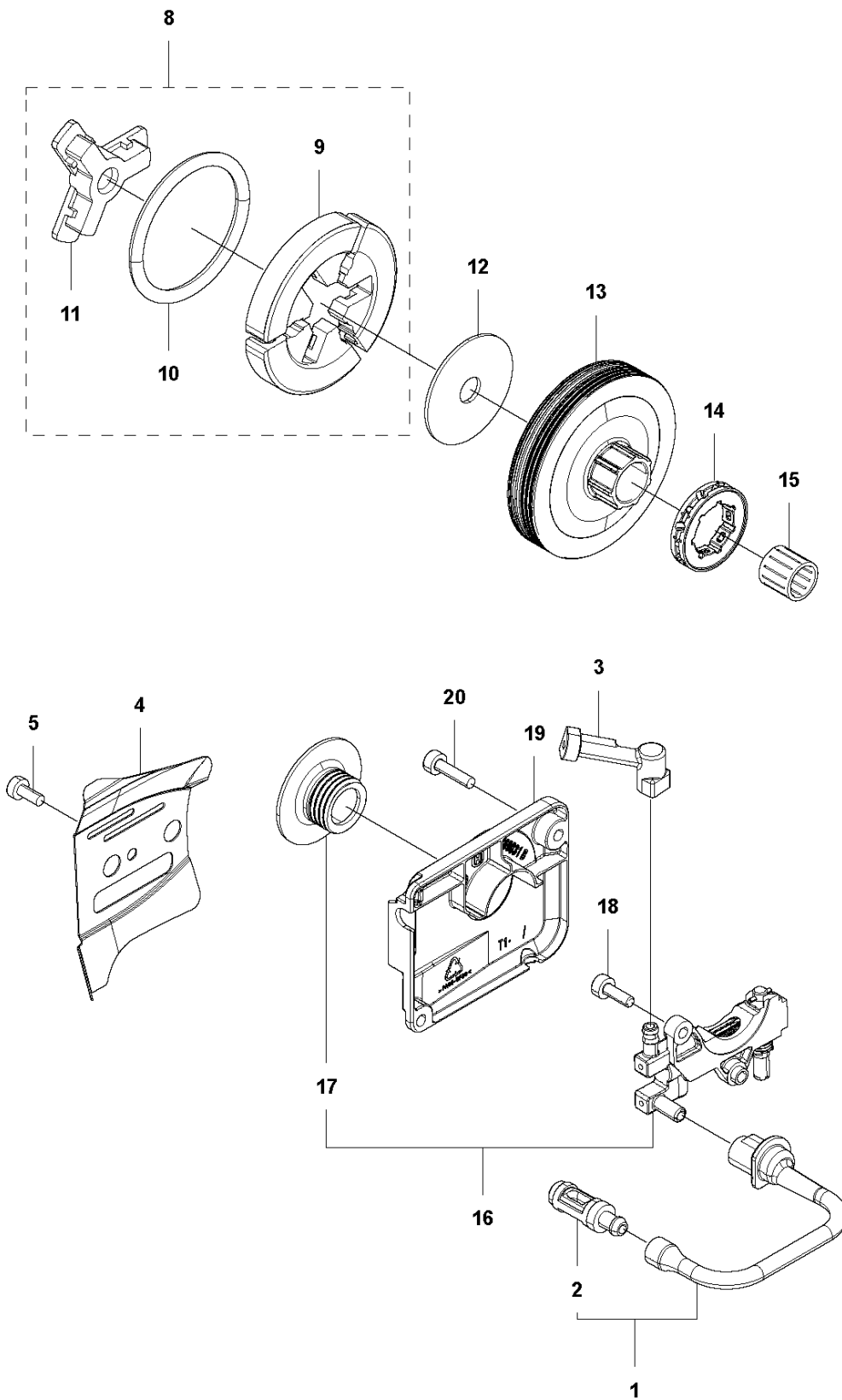


CHAIN BRAKE & CLUTCH COVER

543 XP

Ref	Part No	Description	Remark	QTY	KIT
1	577 43 38-01	CLUTCH COVER ASSY		1	
2	577 43 39-01	CLUTCH COVER		1	1
3	513 63 77-01	SCREW		1	1
4	513 70 14-01	NUT		1	1
5	513 63 79-01	GEAR		1	1
6	576 98 39-01	PLATE		1	1
7	576 98 41-01	SCREW	T4x10-T27	2	1
8	576 98 38-01	COVER LID		1	1
9	576 98 40-01	SCREW	T4x12-T27	2	1
10	576 98 35-01	BRAKE LEVER		1	1
11	577 00 82-01	PEN		1	1
12	579 19 02-01	RING		1	1
13	516 82 56-01	ARM		1	1
14	580 49 08-01	BRAKE BAND		1	1
15	521 07 54-01	ROLLER		1	1
16	516 82 66-01	BRAKE SPRING		1	1
17	513 96 59-01	SPRING		1	1
18	576 98 42-01	WEAR PROTECTION		1	1
19	575 96 08-01	NUT	M8xP1.25	2	
20	577 43 64-01	DECAL		1	
21	581 64 73-02	HAND GUARD		1	
22	576 98 45-01	SPRING		1	
23	576 98 46-01	CATCH		1	
24	576 98 49-01	SPACER		1	
25	576 98 50-01	WEAR PROTECTION		1	
26	529 26 81-01	BOLT	M5x9-T27	1	
27	513 24 94-01	WASHER		1	
28	576 98 52-01	SPACER		1	
29	526 83 45-01	SCREW		1	

B 543XP, 543XPG
CLUTCH & OIL PUMP

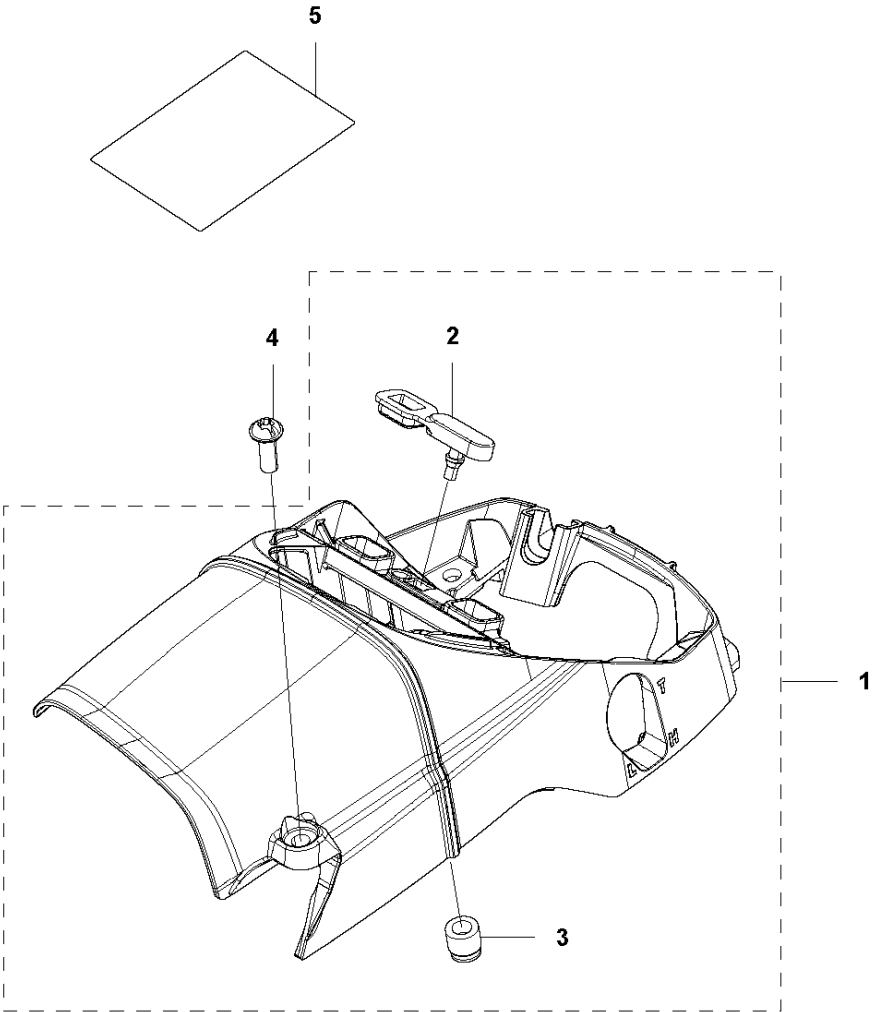


CLUTCH & OIL PUMP

543 XP

Ref	Part No	Description	Remark	QTY KIT	
1	521 57 99-02	OIL PIPE		1	
2	521 58 00-01	FILTER		1	1
3	513 61 88-02	PIPE		1	
4	576 98 53-01	BAR MOUNT PLATE		1	
5	576 98 54-01	SCREW	M4x10-T27	1	
8	585 00 60-01	CLUTCH ASSY		1	
9	514 19 74-01	SHOE		3	8
10	585 00 61-01	CLUTCH SPRING		1	8
11	521 57 94-01	BOSS		1	8
12	513 62 57-01	PLATE		1	
13	513 95 61-01	DRUM	325P	1	
14	514 23 94-01	RIM		1	
15	513 70 12-01	BEARING		1	
16	521 58 65-01	OIL PUMP	325P	1	
17	511 19 45-01	WORM		1	16
18	506 74 57-01	BOLT	M4x16-T27	2	
19	576 98 31-01	PUMP COVER		1	
20	521 51 57-01	BOLT	M4x12-T27	2	

C 543XP, 543XPG
CYLINDER COVER

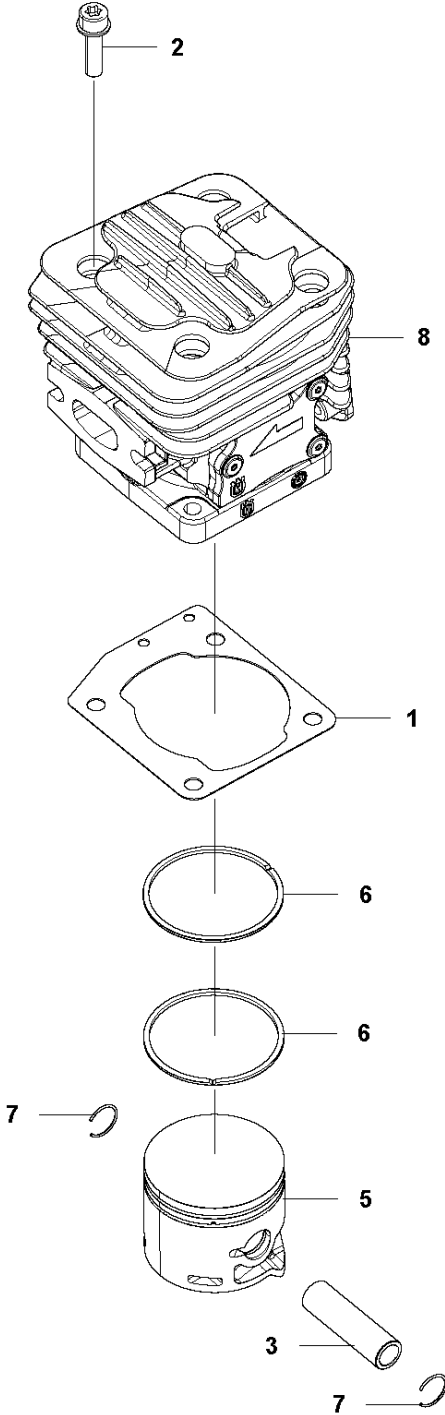


CYLINDER COVER

543 XP

Ref	Part No	Description	Remark	QTY	KIT
1	577 43 77-02	CYLINDER COVER ASSY		1	
2	578 01 64-02	GROMMET		1	1
3	514 24 82-01	GROMMET		1	1
4	579 19 13-01	SCREW	M5x14-T27	4	
5	588 96 07-01	DECAL		1	

D 543XP, 543XPG
CYLINDER PISTON

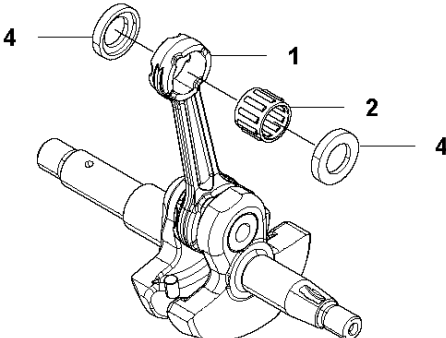


CYLINDER PISTON

543 XP

Ref	Part No	Description	Remark	QTY KIT
1	576 97 70-01	GASKET		1
2	510 90 46-01	BOLT	M5x20-T27/P	4
3	512 48 49-01	PIN		1
5	581 75 59-01	PISTON		1
6	579 02 97-01	PISTON RING		2
7	516 28 30-01	RING		2
8	577 40 50-01	CYLINDER ASSY		1

E 543XP, 543XPG
CRANKSHAFT



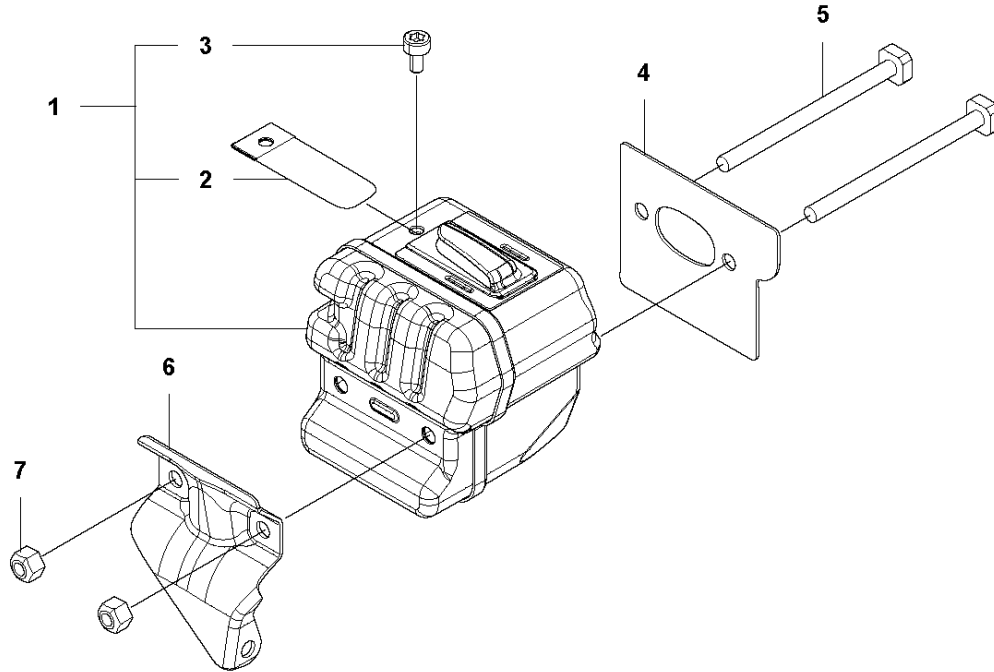
CRANKSHAFT

543 XP

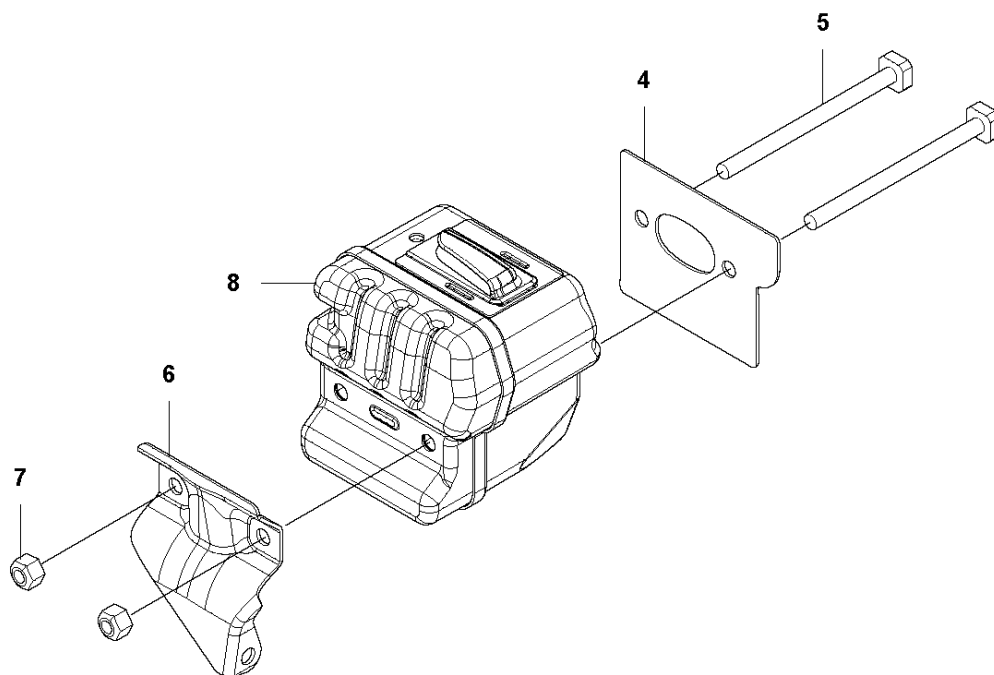
Ref	Part No	Description	Remark	QTY KIT
1	576 97 20-02	CRANKSHAFT ASSY		1
2	579 02 98-01	NEEDLE BEARING		1
4	513 75 24-01	WASHER		2

F 543XP, 543XPG
MUFFLER

FOR US/CAN ONLY



FOR EU/JAPAN ONLY

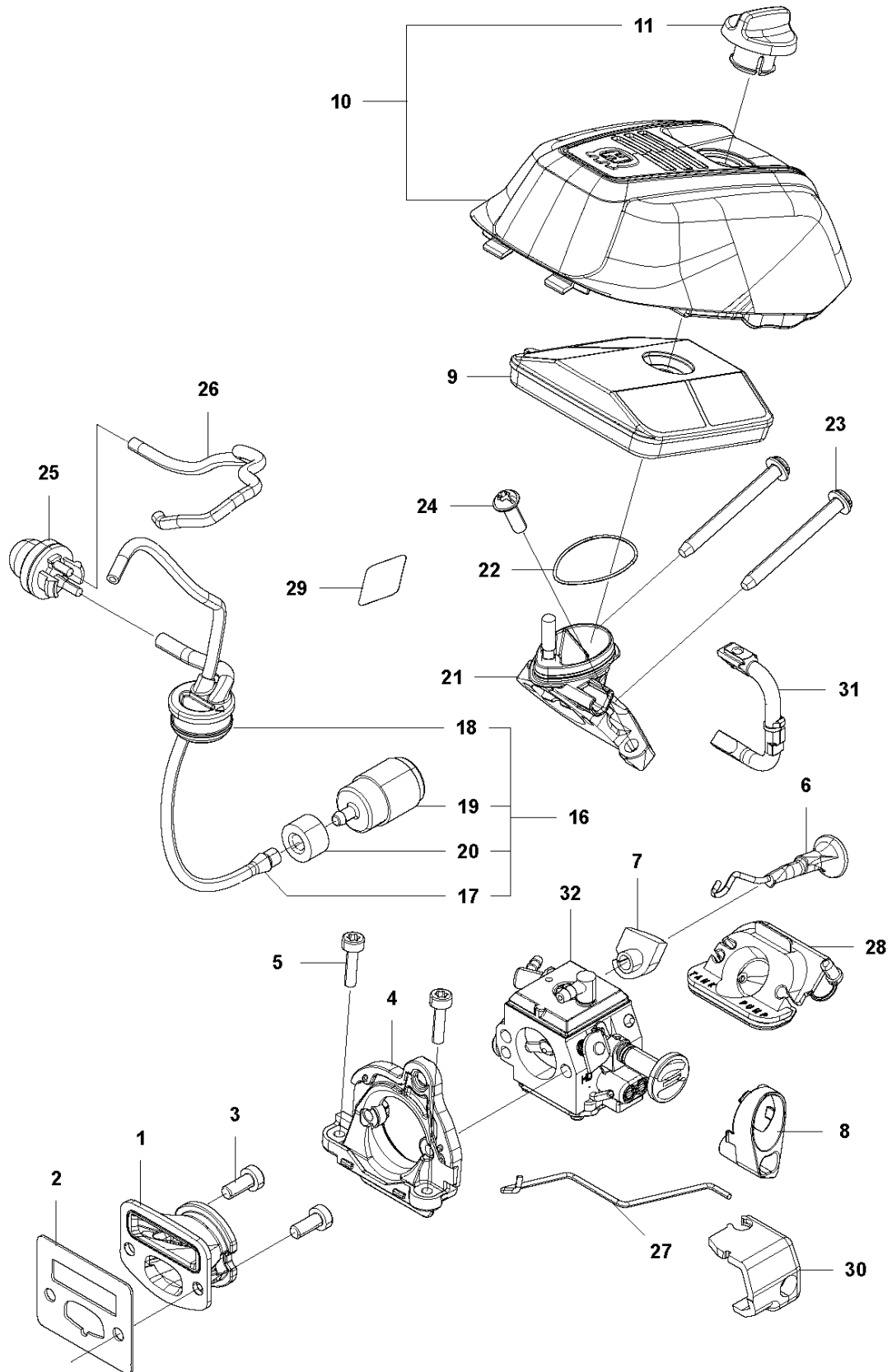


MUFFLER

543 XP

Ref	Part No	Description	Remark	QTY	KIT
1	576 98 11-01	MUFFLER ASSY	For US/CAN only	1	
2	576 98 20-01	SPARK ARRESTER SCREEN		1	1
3	544 36 27-01	BOLT	M4x8-T27	1	1
4	579 18 37-01	GASKET		1	
5	514 24 59-01	BOLT	M5x70	2	
6	576 98 21-01	BRACKET		1	
7	516 96 09-01	NUT		2	
8	576 98 12-01	MUFFLER	For EU/JAPAN only	1	

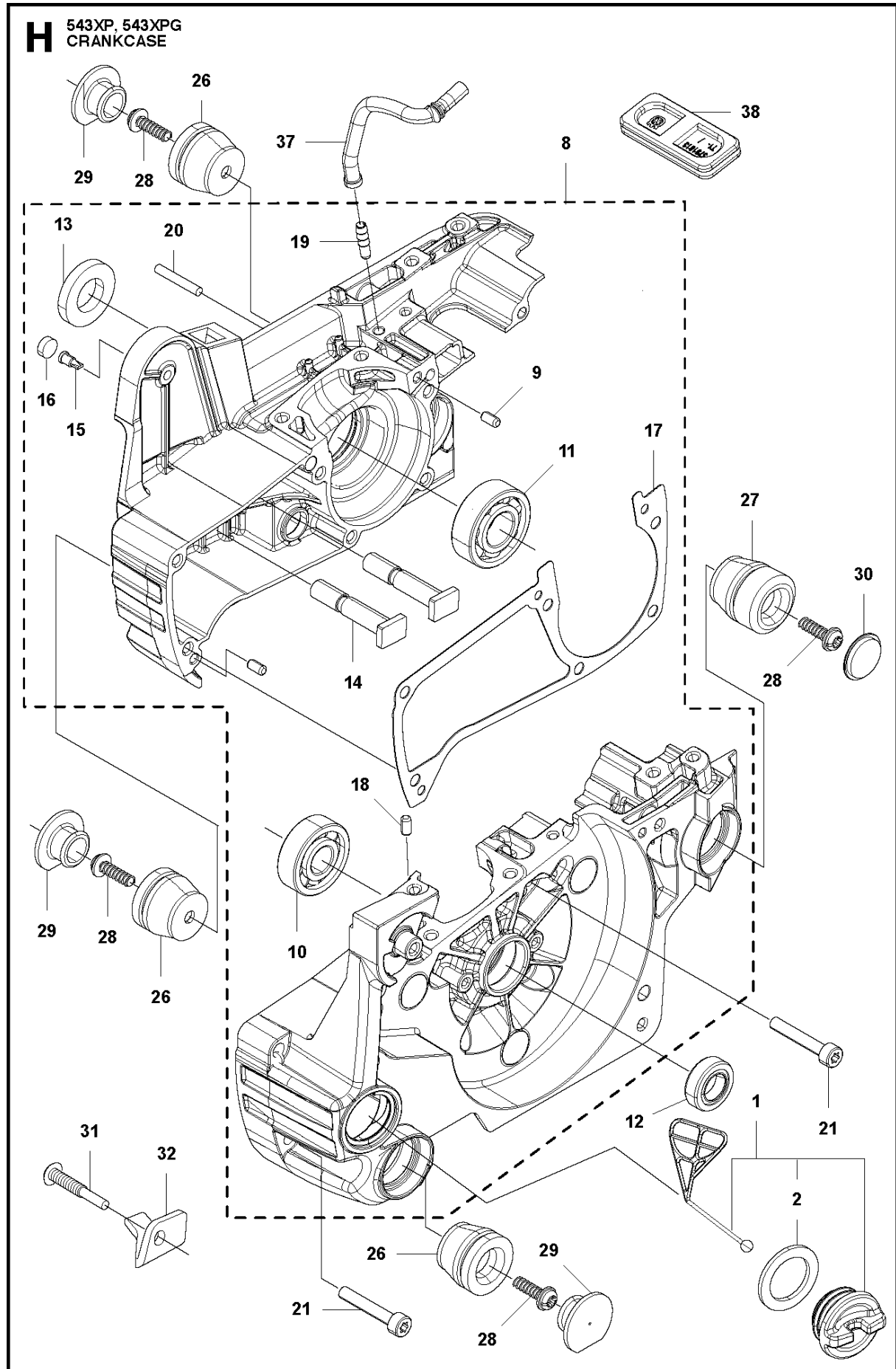
G 543XP, 543XPG
CARBURETOR & AIR FILTER



CARBURETOR & AIR FILTER

543 XP

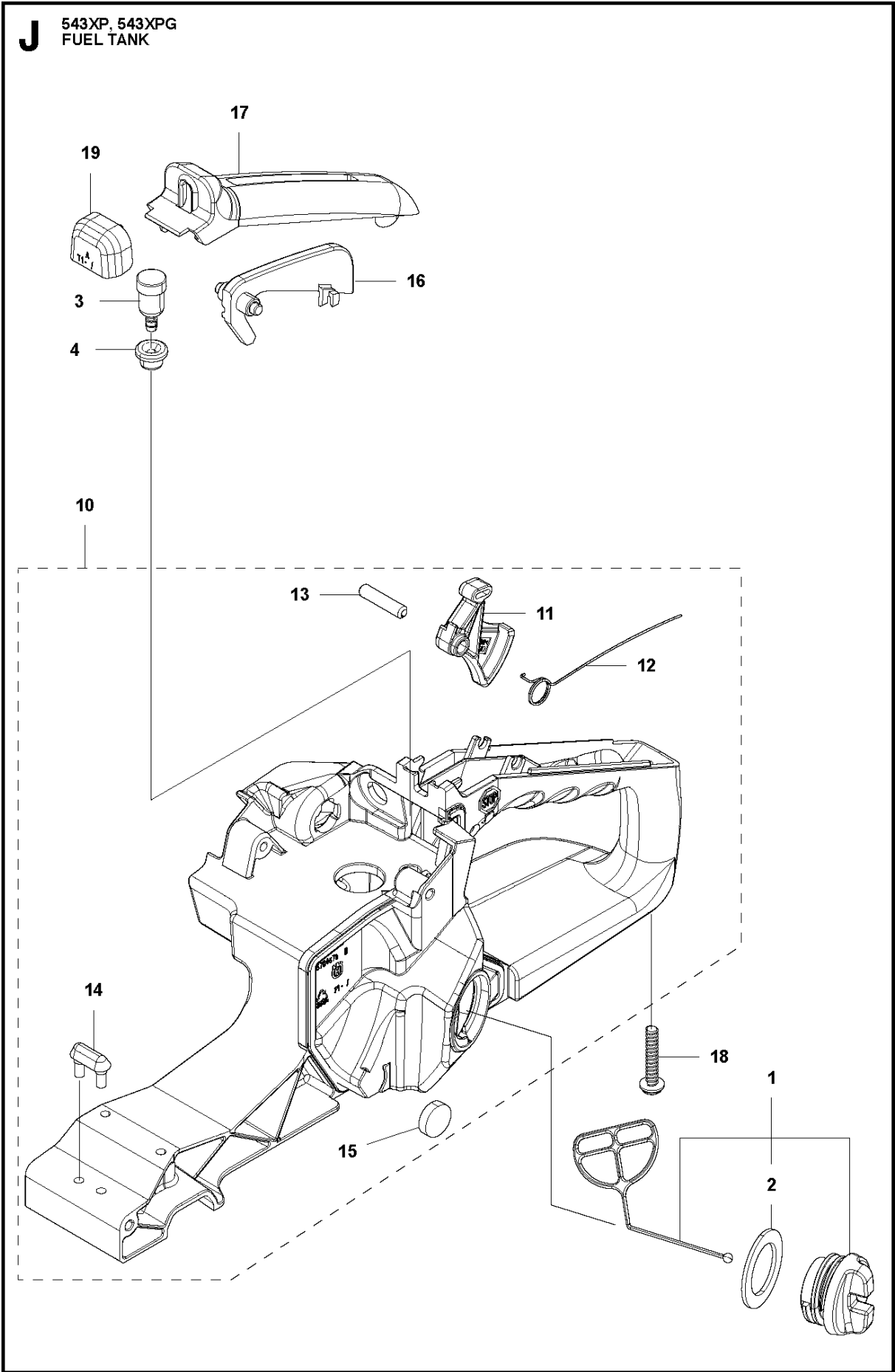
Ref	Part No	Description	Remark	QTY	KIT
1	576 98 01-01	PIPE ASSY		1	
2	579 18 71-01	GASKET		1	
3	522 63 85-01	BOLT	M5x12-T27	2	
4	579 18 10-01	FLANGE		1	
5	506 74 57-01	BOLT	M4x16-T27	2	
6	577 43 32-01	ROD		1	
7	577 43 33-01	GROMMET		1	
8	582 33 92-01	GROMMET	For EU/US only	1	
8	501 30 51-01	GROMMET	For JAPAN only	1	
9	513 79 46-01	AIR FILTER	s/n up to – 20171915387	1	
9	588 84 91-01	AIR FILTER ASSY	s/n from 20172200001	1	
10	577 43 35-01	AIR FILTER COVER		1	
11	577 43 37-01	KNOB		1	10
16	588 41 23-02	FUEL HOSE ASSY	For EU/JAPAN only	1	
16	579 20 40-02	FUEL HOSE ASSY	For US/CAN only	1	
17	595 52 69-16	FUEL HOSE	For EU/JAPAN only	1	16
17	579 51 84-01	FUEL HOSE	For US/CAN only	1	16
18	578 77 81-02	GROMMET		1	16
19	506 74 26-01	FILTER		1	16
20	513 75 08-01	COLLAR		1	
21	576 98 07-01	MANIFOLD	s/n up to – 20171915387	1	
21	588 81 79-01	MANIFOLD	s/n from 20172200001	1	
22	581 35 62-01	SEAL	s/n up to – 20171915387	1	
22	588 84 88-01	O-RING	s/n from 20172200001	1	
23	580 37 01-01	BOLT		2	
24	579 19 13-01	SCREW		1	
25	513 78 93-01	PUMP		1	
26	595 52 69-11	FUEL HOSE		1	
27	576 98 06-01	THROTTLE ROD		1	
28	512 46 31-01	GROMMET		1	
29	580 69 55-01	DECAL		1	
30	584 98 25-01	GROMMET		1	
31	588 90 31-01	PIPE	s/n from 20172200001	1	
32	590 41 34-01	CARBURETTOR	s/n from 20172200001, For EU/US only	1	
32	580 79 84-01	CARBURETTOR	s/n up to – 20171915387, for EU/US only	1	
32	588 84 89-01	CARBURETTOR	For JAPAN only	1	



CRANKCASE

543 XP

Ref	Part No	Description	Remark	QTY	KIT
1	511 06 43-01	CAP ASSY		1	
2	505 04 61-01	GASKET		1	1
8	582 64 96-04	CRANKCASE ASSY		1	
9	577 16 74-01	PIN		2	8
10	596 44 90-01	BALL BEARING		1	8
11	596 44 91-01	BALL BEARING		1	8
12	504 12 15-01	SEALING		1	
13	581 28 49-01	SEAL		1	8
14	513 74 62-01	BOLT		2	8
15	516 96 19-01	BREATHER		1	8
16	513 74 64-01	SEAL		1	8
17	576 97 62-01	GASKET		1	
18	578 28 12-01	PEN		1	8
19	578 19 67-01	FITTING		1	8
20	521 52 24-01	PIN		1	8
21	515 38 81-01	BOLT	M5x30-T27	6	
26	513 56 04-01	DAMPER		3	
27	512 45 83-01	DAMPER		1	
28	521 51 79-01	SCREW	T5x16-T27	4	
29	513 82 61-01	HUB CAP		3	
30	513 94 51-01	HUB CAP		1	
31	577 82 37-01	SCREW		1	
32	579 21 02-01	CHAIN CATCHER		1	
37	577 02 95-01	PIPE		1	
38	579 18 13-02	GROMMET		1	

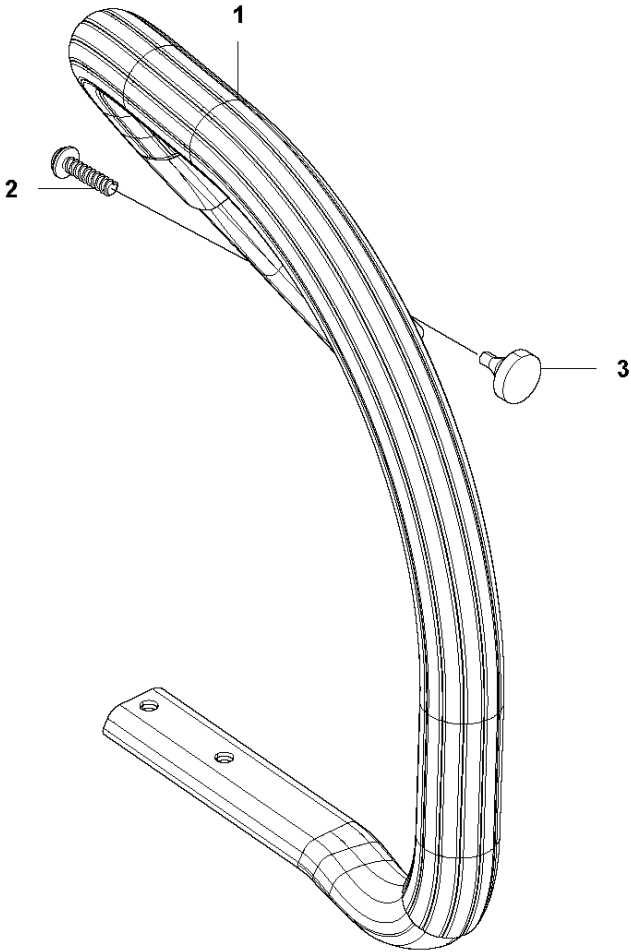


FUEL TANK

543 XP

Ref	Part No	Description	Remark	QTY	KIT
1	580 75 91-01	TANK CAP ASSY		1	
2	579 51 80-01	GASKET		1	1
3	513 75 15-01	BREATHER		1	
4	514 20 14-01	GROMMET		1	
10	577 43 46-01	HANDLE ASSY	543XP	1	
11	580 69 47-02	THROTTLE LEVER		1	10
12	505 04 80-01	SPRING		1	10
13	505 04 81-01	SPRING PIN		1	10
14	513 62 02-01	DAMPER		1	10
15	513 75 02-01	HELPER(M)		1	10
16	577 43 54-01	ARM		1	
17	583 95 08-01	COVER		1	
18	521 51 83-01	SCREW		1	
19	580 73 30-01	SUPPORT		1	

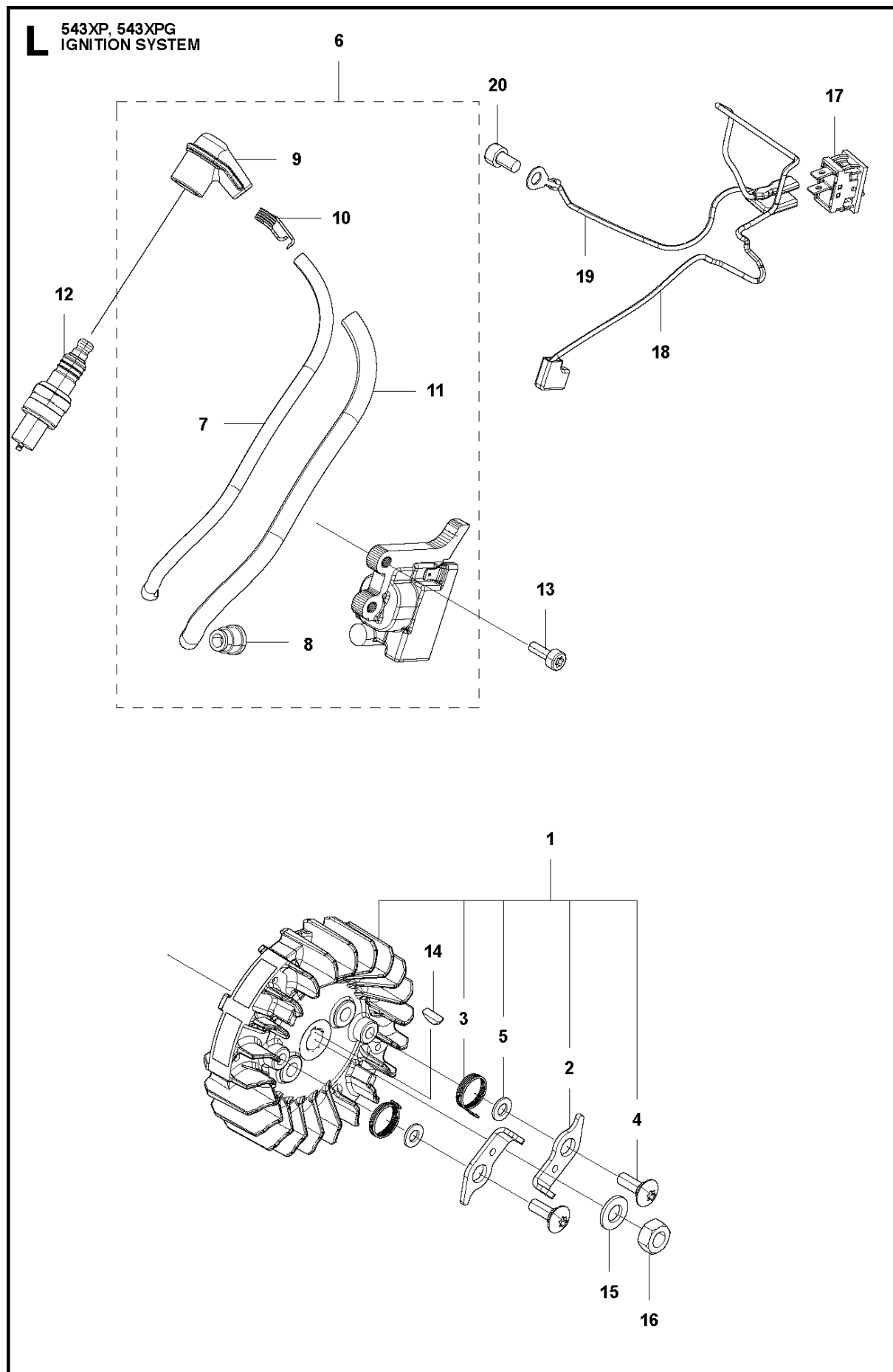
K1 543XP
HANDLES



HANDLE

543 XP

Ref	Part No	Description	Remark	QTY KIT
1	577 43 58-01	FRONT HANDLE ASSY		1
2	521 51 80-01	SCREW	T5x19-T27	4
3	513 74 96-01	HELPER(P)		1



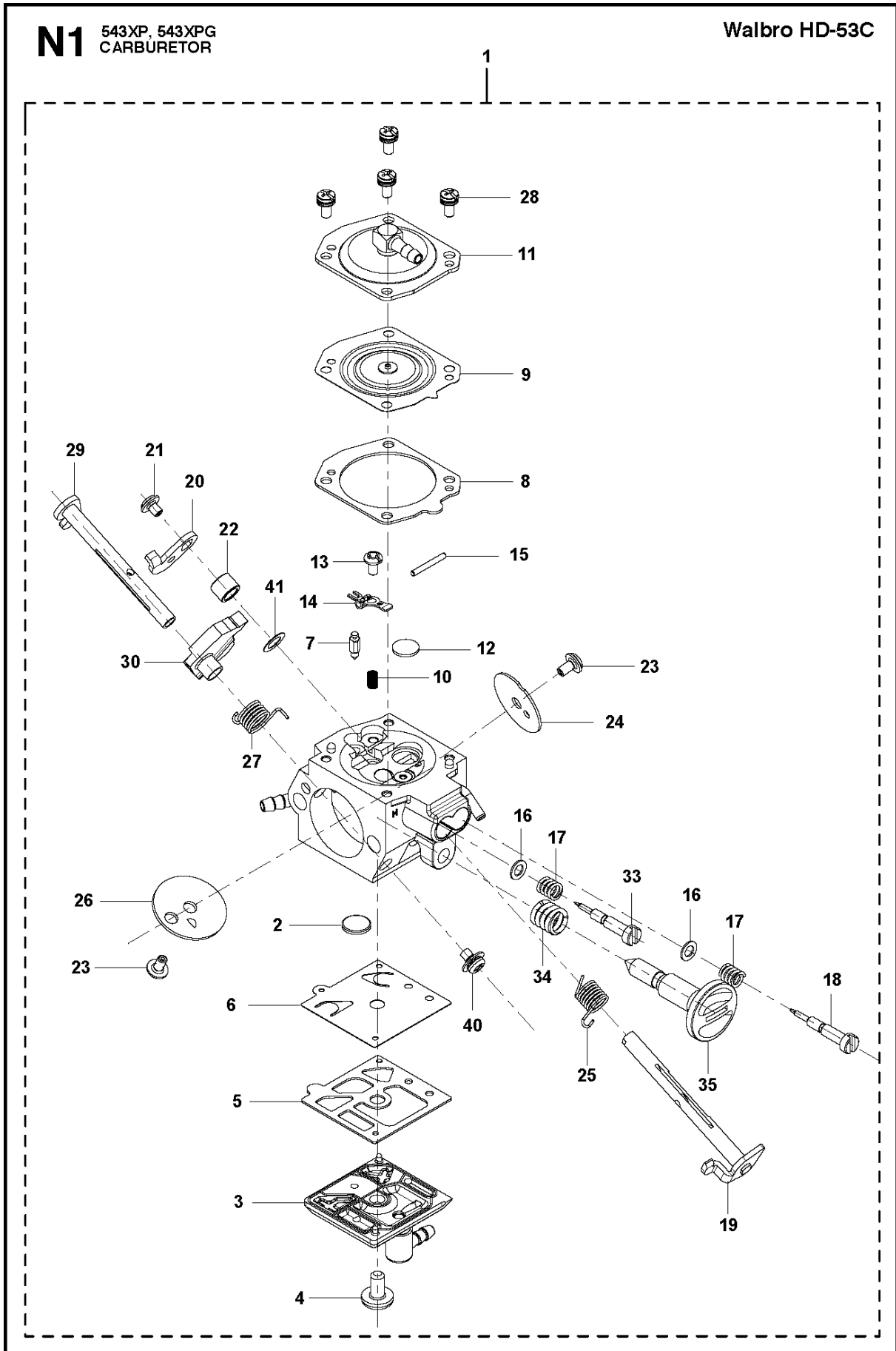
IGNITION SYSTEM

543 XP

Ref	Part No	Description	Remark	QTY	KIT
1	576 98 23-01	FLYWHEEL ASSY		1	
2	576 98 25-01	PAWL		2	1
3	514 24 09-01	SPRING		2	1
4	577 82 36-01	SCREW	M5x12-T27	2	1
5	506 61 44-01	WASHER		2	1
6	588 84 90-01	IGNITION MODULE ASSY		1	
7	577 33 55-01	CODE		1	6
8	505 04 28-01	HUB CAP		1	6
9	512 44 40-01	HUB CAP		1	6
10	504 11 82-01	SPRING		1	6
11	577 33 56-01	TUBE		1	6
12	521 23 34-01	SPARK PLUG	NGK CMR7H	1	
13	506 74 57-01	BOLT	M4x16-T27	2	
14	506 68 94-01	KEY		1	
15	510 48 81-01	WASHER		1	
16	514 23 92-01	NUT		1	
17	586 24 68-01	STOP SWITCH		1	
18	576 98 30-01	CORD		1	
19	513 76 62-01	CORD		1	
20	529 26 81-01	BOLT	M5x9-T27	1	

N1 543XP, 543XPG
CARBURETOR

Walbro HD-53C



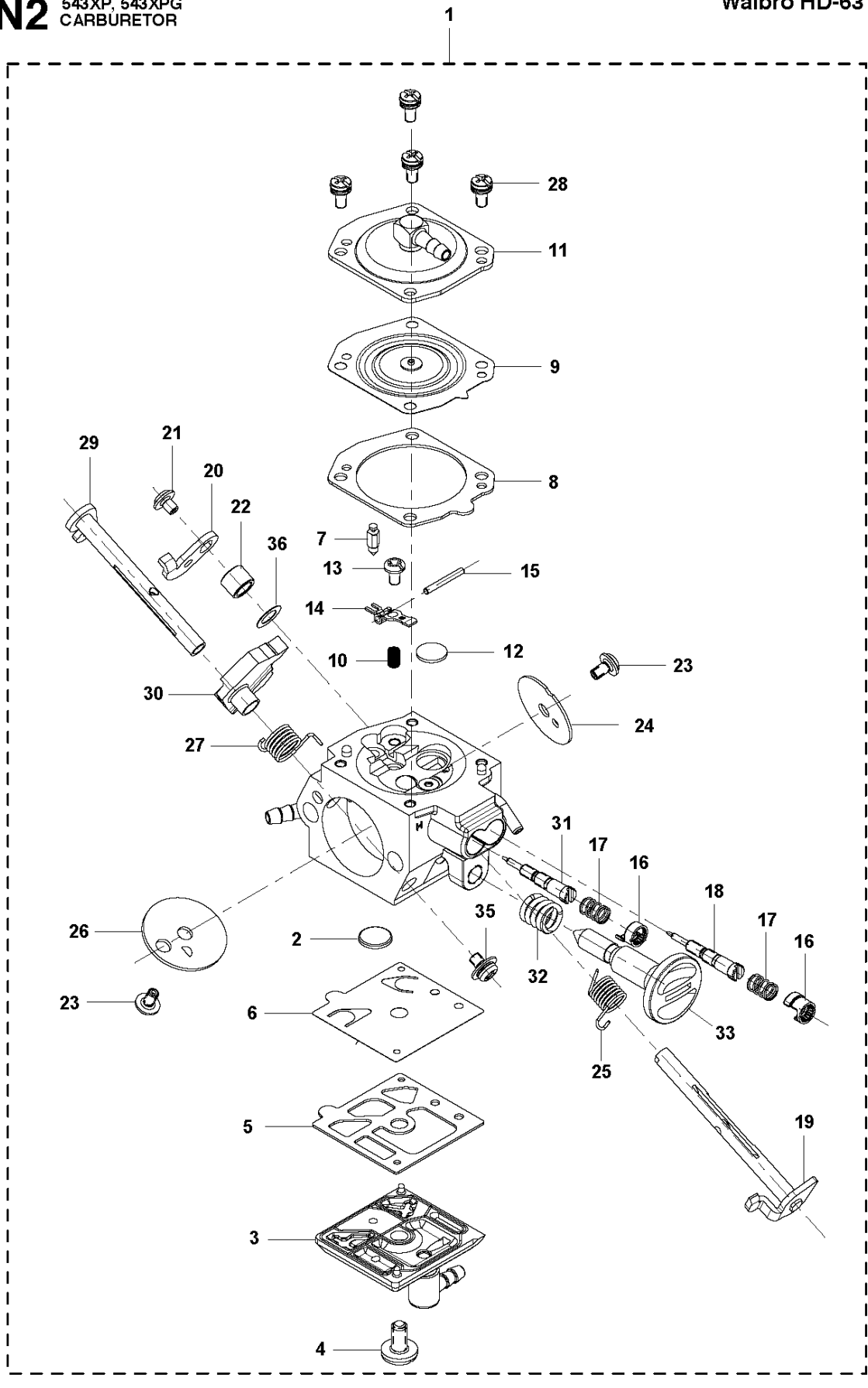
CARBURETOR DETAILS

543 XP

Ref	Part No	Description	Remark	QTY KIT	
1	588 84 89-01	CARBURETTOR	JAPAN	1	
2	520 95 70-01	SCREEN		1	1
3	579 49 21-01	COVER		1	1
4	513 30 13-01	SCREW		1	1
5	514 24 27-01	GASKET		1	1
6	514 24 30-01	DIAPHRAGM		1	1
7	521 08 54-01	VALVE.INLET		1	1
8	514 24 28-01	GASKET		1	1
9	579 49 22-01	DIAPHRAGM		1	1
10	516 98 00-01	SPRING		1	1
11	501 40 57-01	COVER		1	1
12	516 34 29-01	PLUG		1	1
13	520 97 73-01	SCREW		1	1
14	514 24 29-01	LEVER		1	1
15	520 97 74-01	PIN		2	1
16	521 57 60-01	WASHER		2	1
17	514 18 82-01	SPRING		1	1
18	579 49 24-01	NEEDLE		1	1
19	579 49 25-01	SHAFT ASSY		1	1
20	579 49 26-01	LEVER		1	1
21	520 75 98-01	SCREW		1	1
22	579 49 27-01	SPACER		1	1
23	579 49 28-01	SCREW		2	1
24	579 49 29-01	VALVE		1	1
25	579 49 30-01	SPRING		1	1
26	579 49 31-01	VALVE		1	1
27	581 29 80-01	SPRING		1	1
28	520 97 88-01	SCREW ASSY		4	1
29	581 29 81-01	SHAFT ASSY		1	1
30	581 29 82-01	LEVER		1	1
33	579 49 35-01	NEEDLE		1	1
34	579 49 30-01	SPRING		1	1
35	513 79 28-01	SCREW		1	1
40	581 29 83-01	SCREW		1	1
41	506 74 61-01	WASHER		1	1

N2 543XP, 543XPG
CARBURETOR

Walbro HD-63

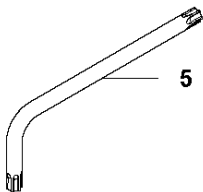
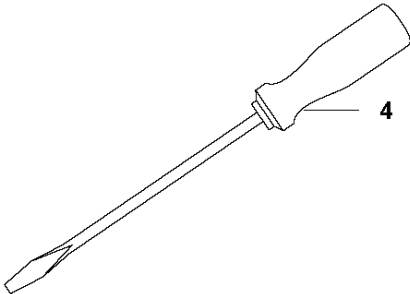
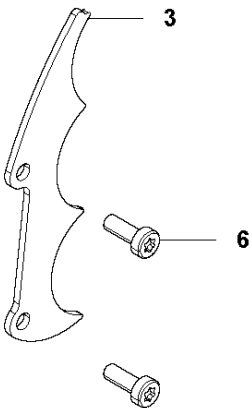
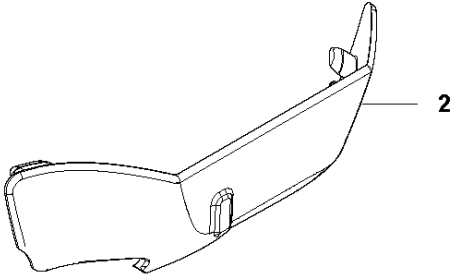
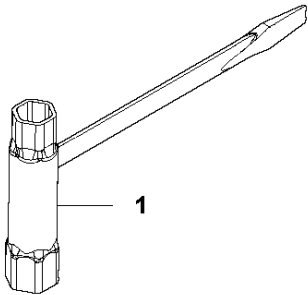


CARBURETOR DETAILS

543 XP

Ref	Part No	Description	Remark	QTY KIT	
1	580 79 84-01	CARBURETTOR	s/n up to – 20171915387 (HD–54B EU, US)	1	
1	590 41 34-01	CARBURETTOR	s/n from 20172200001 (HD–63 EU, US)	1	
2	520 95 70-01	SCREEN		1	1
3	579 49 21-01	COVER		1	1
4	513 30 13-01	SCREW		1	1
5	514 24 27-01	GASKET		1	1
6	585 39 98-01	DIAPHRAGM PUMP		1	1
7	521 08 54-01	VALVE.INLET		1	1
8	514 24 28-01	GASKET		1	1
9	579 49 22-01	DIAPHRAGM		1	1
10	516 98 00-01	SPRING		1	1
11	501 40 57-01	COVER		1	1
12	516 34 29-01	PLUG		1	1
13	520 97 73-01	SCREW		1	1
14	514 24 29-01	LEVER		1	1
15	520 97 74-01	PIN		1	1
16	578 91 30-01	CAP		2	1
17	578 91 28-01	SPRING		2	1
18	580 24 21-01	NEEDLE		1	1
19	579 49 25-01	SHAFT ASSY		1	1
20	579 49 26-01	LEVER		1	1
21	520 75 98-01	SCREW		1	1
22	579 49 27-01	SPACER		1	1
23	579 49 28-01	SCREW		2	1
24	579 49 29-01	VALVE		1	1
25	579 49 30-01	SPRING		1	1
26	579 49 31-01	VALVE		1	1
27	581 29 80-01	SPRING		1	1
28	520 97 88-01	SCREW ASSY		4	1
29	581 29 81-01	SHAFT ASSY		1	1
30	581 29 82-01	LEVER		1	1
31	580 24 26-01	NEEDLE HIGH SPEED		1	1
32	521 06 63-01	SPRING		1	1
33	513 79 28-01	SCREW		1	1
35	581 29 83-01	SCREW		1	1
36	506 74 61-01	WASHER		1	1

P 543XP, 543XPG
ACCESSORIES

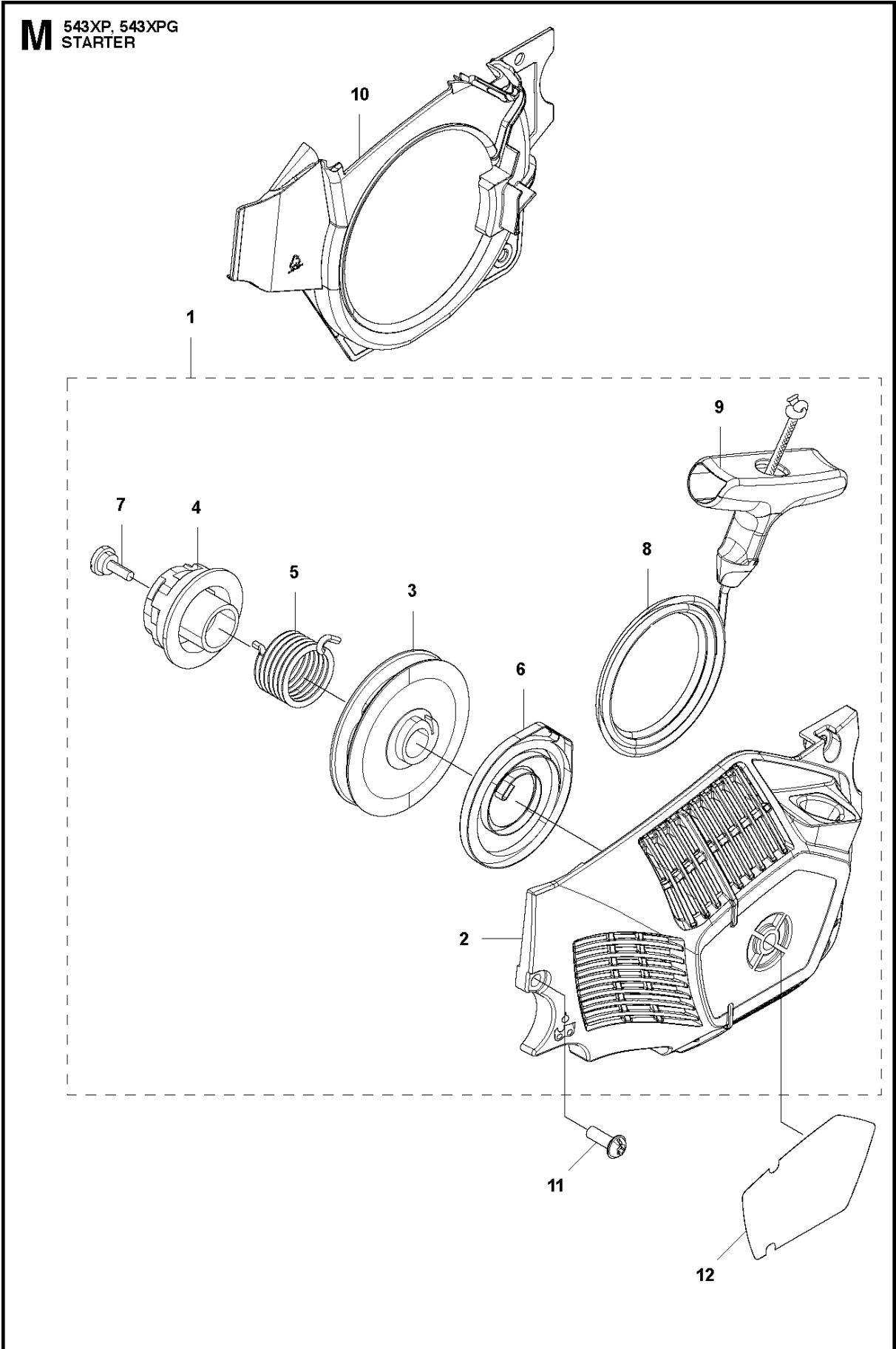


ACCESSORIES

543 XP

Ref	Part No	Description	Remark	QTY KIT
1	521 53 29-01	WRENCH		1
2	580 65 98-01	WINTER COVER		1
3	585 69 70-01	SPIKE		1
4	513 63 56-01	DRIVER		1
5	584 40 91-01	HEX KEY	T27	1
6	521 51 62-01	BOLT		2

M 543XP, 543XPG
STARTER



STARTER

543 XP

Ref	Part No	Description	Remark	QTY	KIT
1	577 43 41-01	STARTER ASSY	s/n up to – 20171915387	1	
1	586 69 31-02	STARTER ASSY	s/n from 20172200001	1	
2	577 43 44-01	CASE	s/n up to – 20171915387	1	1
2	586 69 32-02	STARTER HOUSING	s/n from 20172200001	1	1
3	527 75 60-01	REEL	s/n up to – 20171915387	1	1
3	586 69 35-01	REEL	s/n from 20172200001	1	1
4	576 98 56-01	STARTER PULLEY		1	1
5	527 75 62-01	SPRING		1	1
6	576 38 33-01	SPRING CASSETTE ASSY		1	1
7	515 36 71-01	SCREW		1	1
8	527 75 61-01	ROPE		1	1
9	537 23 25-01	STARTER HANDLE		1	1
10	576 98 59-01	AIR BAFFLE	s/n up to – 20171915387	1	
10	586 68 90-01	AIR CONDUCTOR	s/n from 20172200001	1	
11	579 19 13-01	SCREW	M5x14-T27	3	
12	577 43 65-01	DECAL	543XP	1	

Illustrated Parts List - IPL Update



Product Name(s)

543XP

Description of change

1. Change the CRANKSHAFT ASSY with new NEEDLE BEARING, to improve durability.
2. Change the BALL BEARINGS, to improve durability.
3. Change the CRANKCASE ASSY with new BALL BEARINGS.
4. Change the PIPE, FUEL HOSE and GROMMET, to apply to RoHS II regulation.

Comments

Introduced from

Serial number / Date	Remark
s/n 20184502148	Valid for new CRANKSHAFT ASSY
s/n 20185002200	Valid for new CRANKCASE ASSY

IPL updates

Page Title	Ref. no	New part no	Name	Excl. part no.	Remark
B CLUTCH & OIL PUMP	1	521 57 99-02	OILPIPE COMP	521 57 99-01	
	3	513 61 88-02	PIPE	513 61 88-01	
C CYLINDER COVER	1	577 43 77-02	CYLINDER COVER ASSY	577 43 77-01	
	2	578 01 64-02	GROMMET	578 01 64-01	
E CRANKSHAFT	1	576 97 20-02	CRANKSHAFT ASSY	576 97 20-01	
G CARBURETOR & AIR FILTER	16	588 41 23-02	FUEL HOSE ASSY	588 41 23-01	
	16	579 20 40-02	FUEL HOSE ASSY	579 20 40-01	
	17	595 52 69-16	FUEL HOSE	510 92 09-01	
	18	578 77 81-02	GROMMET	578 77 81-01	
	26	595 52 69-11	FUEL HOSE	580 60 72-01	
H CRANKCASE	8	582 64 96-04	CRANKCASE ASSY	582 64 96-02	
	10	596 44 90-01	BALL BEARING	513 74 63-01	
	11	596 44 91-01	BALL BEARING	502 84 91-01	
	38	579 18 13-02	GROMMET	579 18 13-01	