

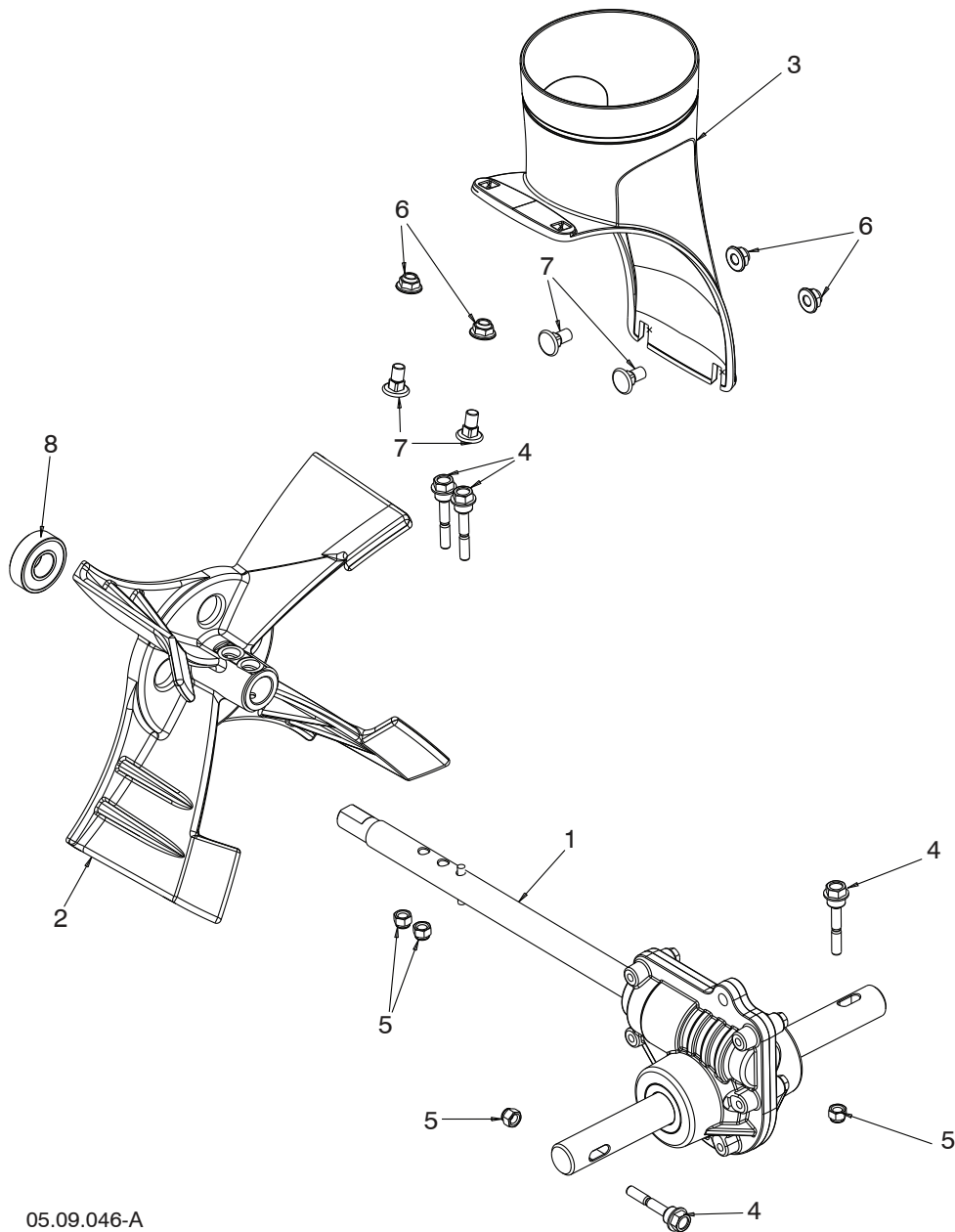
ILLUSTRATED PARTS LIST

MODEL NUMBER ST 424T
PRODUCT NUMBER 961 93 01-32
MFG. ID. NUMBER 96193013201

REPAIR PARTS

AUGER HOUSING / IMPELLER ASSEMBLY

SNOW THROWER - MODEL NO. ST 424T (96193013201), PRODUCT NO. 961 93 01-32



05.09.046-A

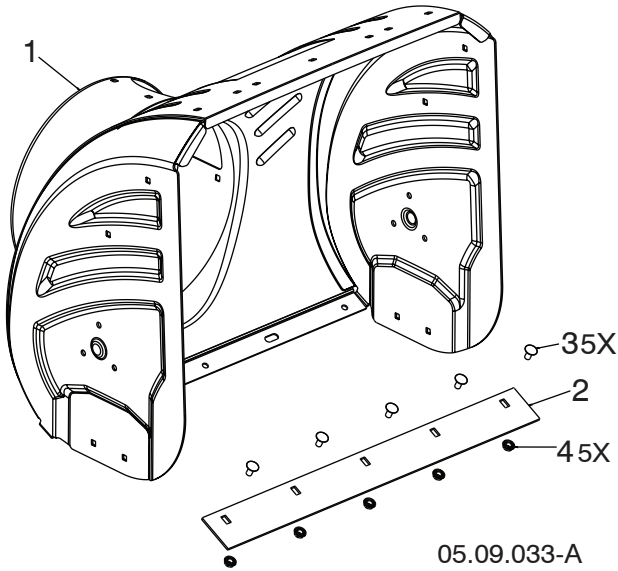
KEY NO.	PART NO.	DESCRIPTION	KEY NO.	PART NO.	DESCRIPTION
1	582 86 77-01	AUGER TRANSMISSION, CAST IRON	5	595 08 66-01	NUT. NYLOCK 1/4-20
2	585 19 83-03	IMPELLER, CAST IRON	6	585 69 13-01	NUT. FLANGE. NY LOCK 5/16-18 - BLK
3	593 04 28-02	CHUTE. DISCHARGE. BASE - CAST ALUMINUM	7	585 69 12-01	BOLT. CARRIAGE. WAFER HEAD 5/16-18 X 5/8- BLK
4	588 07 75-02	BOLT. SHEAR 1/4-20	8	532 19 87-91	BEARING. BALL

NOTE: All component dimensions given in U.S. inches. 1 inch = 25.4 mm
IMPORTANT: Use only Original Equipment Manufacturer (O.E.M.) replacement parts. Failure to do so could be hazardous, damage your snow thrower and void your warranty.

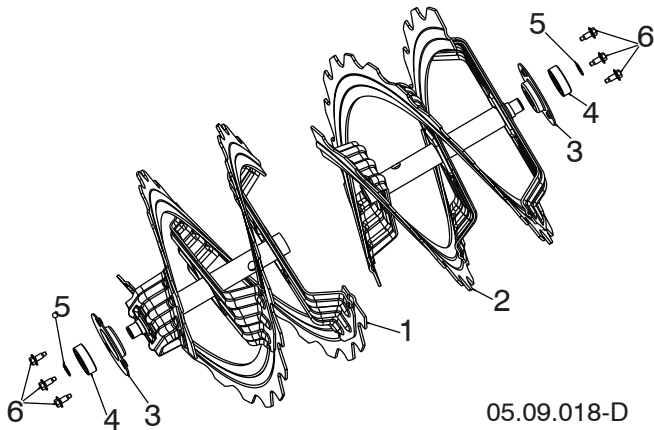
REPAIR PARTS

AUGER HOUSING / IMPELLER ASSEMBLY

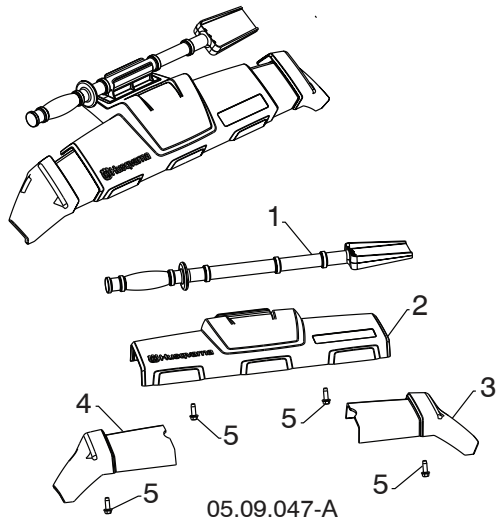
SNOW THROWER - MODEL NO. ST 424T (96193013201), PRODUCT NO. 961 93 01-32



KEY NO.	PART NO.	DESCRIPTION
1	588 61 02-39	AUGER HOUSING 24 LS
2	585 04 83-02	SHAVE PLATE 24 LS MS428
3	596 03 94-01	BOLT CARRIAGE 5/16-18 X .625
4	532 15 53-77	NUT 5/16-18 HEX TOP LOCK



KEY NO.	PART NO.	DESCRIPTION
1	581 97 01-03	AUGER RIBBON 24 RH LS
2	581 97 02-03	AUGER RIBBON 24 LH LS
3	532 43 40-10	SUPPORT AUGER BEARING
4	532 11 04-85	BEARING IDLER 6203
5	812 00 00-28	RING RETAINING #5100-52
6	585 51 78-01	SCREW 1/4-20 X .65 W/DOG POINT



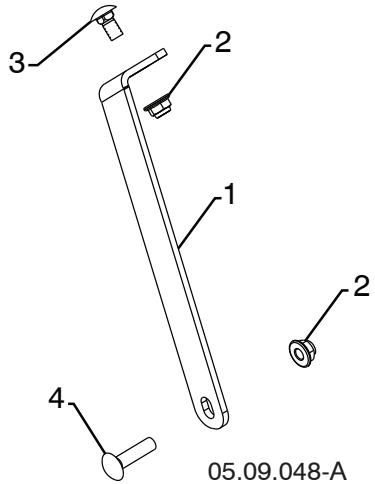
KEY NO.	PART NO.	DESCRIPTION
1	532 19 21-99	TOOL CLEANOUT
2	586 41 48-02	AUGER FRONT TRIM ASM
3	586 33 03-02	TRIM AUGER HOUSING WING RH
4	586 33 04-02	TRIM AUGER HOUSING WING LH
5	817 06 04-10	SCREW HEX WASHER TRI-LOBE 1/4-20 X 3/4

NOTE: All component dimensions given in U.S. inches. 1 inch = 25.4 mm
IMPORTANT: Use only Original Equipment Manufacturer (O.E.M.) replacement parts.
 Failure to do so could be hazardous, damage your snow thrower and void your warranty.

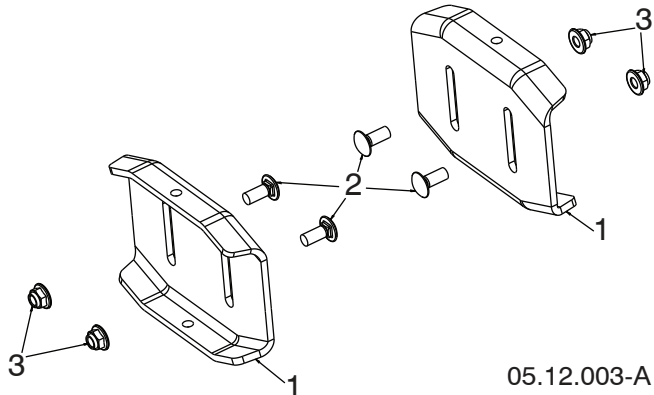
REPAIR PARTS

AUGER HOUSING / IMPELLER ASSEMBLY

SNOW THROWER - MODEL NO. ST 424T (96193013201), PRODUCT NO. 961 93 01-32



KEY NO.	PART NO.	DESCRIPTION
1	585 10 90-04	SUPPORT GEARBOX LS
2	585 69 13-01	NUT HEX FLG NYLOCK BLK 5/16-18
3	585 83 20-01	BOLT CARRIAGE BLK 5/16-18 X 5/8 BLK
4	872 11 05-10	BOLT CARRIAGE 5/16-18 X 1-1/4



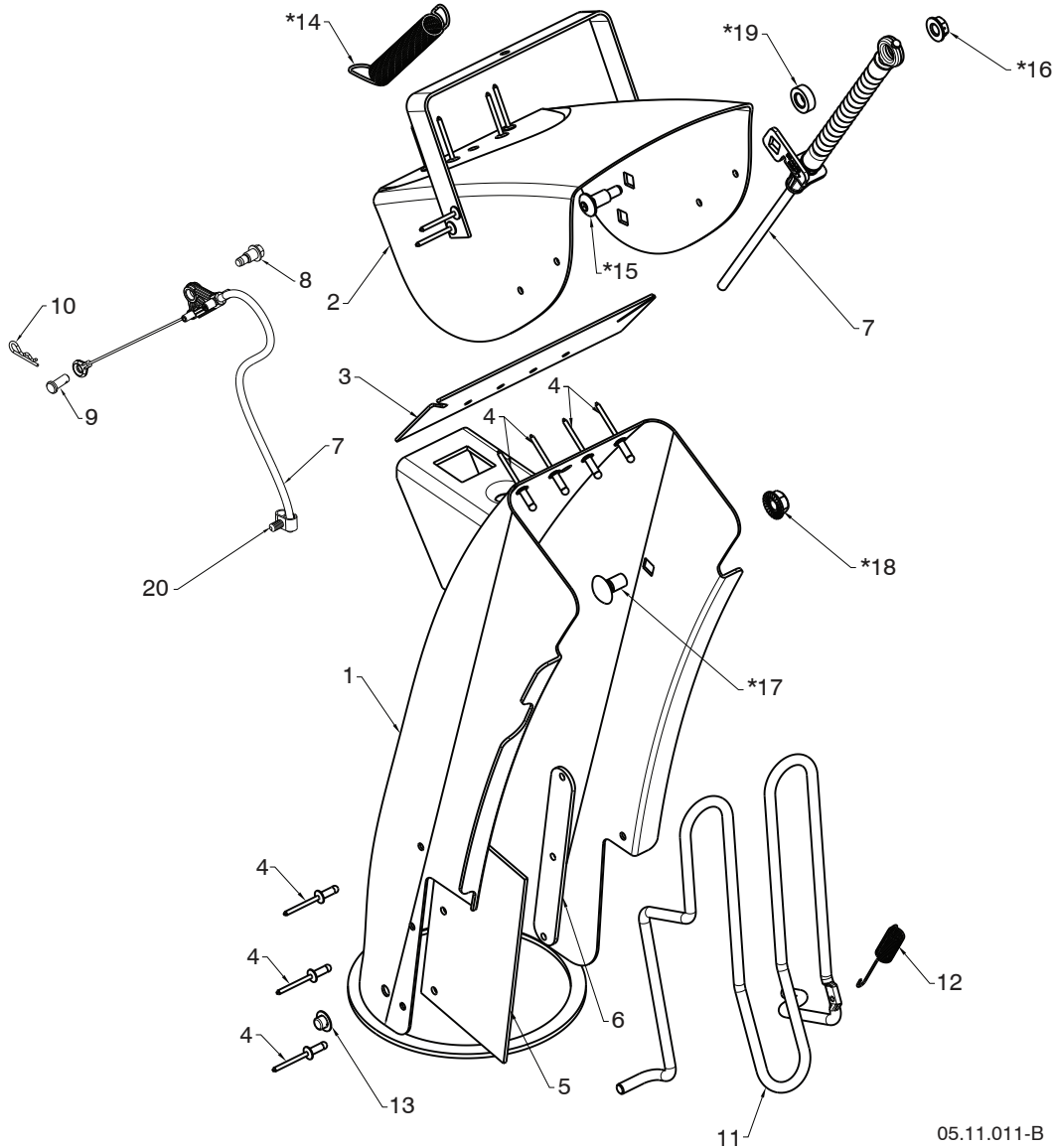
KEY NO.	PART NO.	DESCRIPTION
1	532 40 78-34	SKID PLATE
2	585 69 17-01	BOLT CARRIAGE 5/16-18 X .750 – BLK
3	585 69 13-01	NUT FLANGE NYLOCK 5/16-18 –BLK

NOTE: All component dimensions given in U.S. inches. 1 inch = 25.4 mm
IMPORTANT: Use only Original Equipment Manufacturer (O.E.M.) replacement parts. Failure to do so could be hazardous, damage your snow thrower and void your warranty.

REPAIR PARTS

CONTROL PANEL / DISCHARGE CHUTE

SNOW THROWER - MODEL NO. ST 424T (96193013201), PRODUCT NO. 961 93 01-32



05.11.011-B

KEY NO.	PART NO.	DESCRIPTION	KEY NO.	PART NO.	DESCRIPTION
1	588 07 78-02	CHUTE WELDMENT KIT	13	532 05 93-49	PUSH NUT
2	-----	RIVETED DEFLECTOR ASSEMBLY	*14	532 18 45-05	DEFLECTOR SPRING
3	-----	DEFLECTOR SEAL	*15	501 41 73-01	CARRIAGE BOLT 1/4-20 X .544
4	-----	POP RIVET	*16	585 69 14-01	NUT 1/4-20
5	-----	CHUTE SNOW SHIELD	*17	585 83 20-01	CARRIAGE BOLT 3/8-16 X .625
6	-----	SHIELD STRAP RETAINER	*18	873 97 05-00	NUT 5/16-18
7	590 58 70-02	CONTROL.CHUTE. DEFLECTOR.BOWDEN	*19	501 41 74-01	WASHER .362 X .625 X .205 NYLON
8	581 72 61-01	SHOULDER BOLT 1/4-20	20	532 18 15-80	CLIP, DUAL
9	590 80 09-01	PIN CLEVIS 1/4 X .438			
10	532 42 33-03	HAIRPIN RETAINER			
11	593 62 22-01	CHUTE GUARD			
12	532 43 56-16	GUARD RETURN SPRING			

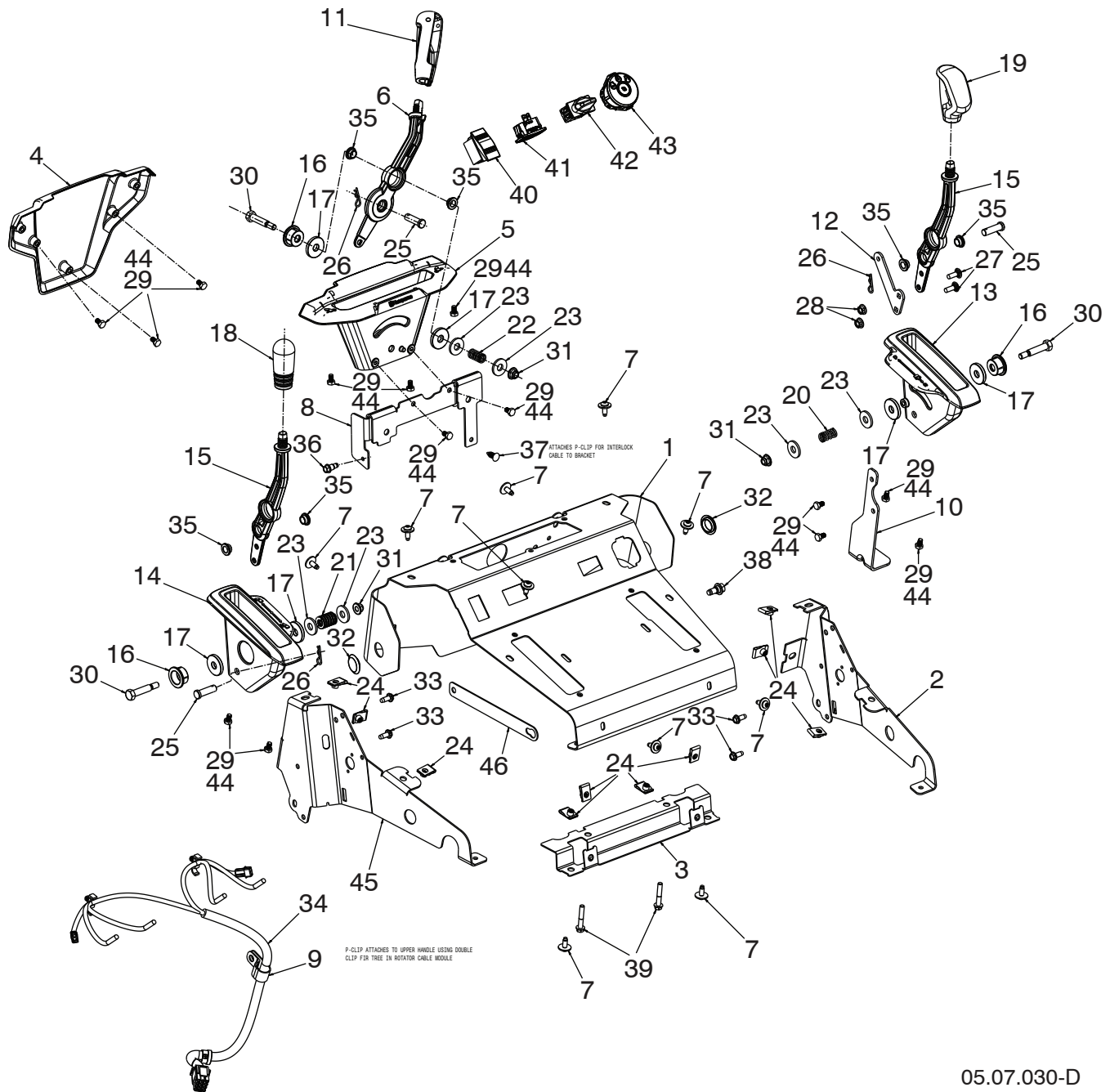
NOTE: ALL ITEMS MARKED WITH AN * ARE PROVIDED IN THE BAG OF ITEMS SHIPPED LOOSE WITH PRODUCT.

NOTE: All component dimensions given in U.S. inches. 1 inch = 25.4 mm
IMPORTANT: Use only Original Equipment Manufacturer (O.E.M.) replacement parts. Failure to do so could be hazardous, damage your snow thrower and void your warranty.

REPAIR PARTS

CONTROL PANEL / DISCHARGE CHUTE

SNOW THROWER - MODEL NO. ST 424T (96193013201), PRODUCT NO. 961 93 01-32



05.07.030-D

NOTE: All component dimensions given in U.S. inches. 1 inch = 25.4 mm
IMPORTANT: Use only Original Equipment Manufacturer (O.E.M.) replacement parts. Failure to do so could be hazardous, damage your snow thrower and void your warranty.

REPAIR PARTS

CONTROL PANEL / DISCHARGE CHUTE

SNOW THROWER - MODEL NO. ST 424T (96193013201), PRODUCT NO. 961 93 01-32

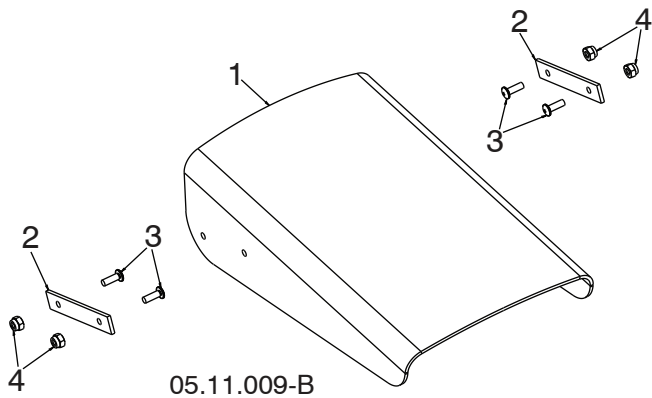
KEY NO.	PART NO.	DESCRIPTION	KEY NO.	PART NO.	DESCRIPTION
1	589 62 64-02	CONSOLE BASE	27	596 23 84-01	1/4-20 X 3/4 CARRIAGE BOLT
2	589 62 68-04	CONSOLE SIDE RHS GREY	28	532 19 17-30	1/4-20 HEX FLANGE LOCK NUT
3	589 62 69-02	BRACKET REAR CONSOLE			
4	593 06 84-01	CONSOLE ASSY – LEFT SIDE PANEL	29	597 42 55-01	1/4-20 X 3/8 HEX WASHER HD BOLT
5	589 75 43-01	BRACKET ROTATOR REAR	30	593 09 20-01	BOLT SHOULDER 3/8 X 1.325
6	596 92 41-01	LEVER ROTATOR	31	594 94 44-01	NUT 5/16-18 HEX FLANGE NYLOCK
7	589 77 22-01	SCREW BUTTON HEAD WASHER CAP SCREW	32	593 08 42-01	PLUG 7/8
8	589 79 59-01	BRACKET CABLE CHUTE ROTATOR	33	817 06 04-10	SCREW 1/4-20 x 5/8 HEX WASHER
9	532 19 79-91	P-CLIP	34	593 07 92-01	HARNESS UPPER
10	589 79 65-01	BRACKET HYDRO CABLE	35	590 79 06-01	BUSHING LEVER
11	589 80 11-01	KNOB CHUTE ROTATOR	36	581 72 61-01	BOLT SHOULDER_1_4-20_ TRILOB
12	590 77 47-01	LEVER HYDRO CABLE			
13	589 75 41-01	BRACKET HYDRO LEVER	37	532 42 81-24	FIR TREE
14	589 75 40-01	BRACKET DEFLECTOR LEVER	38	532 17 01-65	BOLT SHOULDER_5-16_18_ THD_FORM
15	589 75 44-01	LEVER HYDRO DEFLECTOR			
16	589 79 61-01	BUTTON BOLT CARRIER	39	501 40 66-01	SCREW
17	589 79 62-01	PAD FRICTION	40	585 80 50-01	SWITCH HEATED GRIP BLACK
18	589 79 63-01	KNOB DEFLECTOR			
19	589 79 64-01	KNOB HYDRO	41	596 51 55-01	HOUR METER
20	589 80 05-01	SPRING HYDRO	42	591 06 65-01	SWITCH - 3 POSITION ROTARY
21	596 91 84-01	SPRING DEFLECTOR			
22	593 07 51-01	SPRING ROTATOR	43	594 72 18-01	IGNITION SWITCH - 3 POSITION
23	597 36 74-01	WASHER .406 ID 1.00 OD X .109 THK	44	597 42 57-01	1/4 LOCK WASHER
24	532 41 76-93	1/4-20 CLIP ON NUT	45	589 62 68-03	CONSOLE SIDE LHS GREY
25	590 79 17-01	PIN CLEVIS .375 X 1.25	46	597 48 92-02	CHUTE DEFLECTOR SUPPORT BRACE
26	532 42 33-03	SPRING HAIRPIN			

NOTE: All component dimensions given in U.S. inches. 1 inch = 25.4 mm
IMPORTANT: Use only Original Equipment Manufacturer (O.E.M.) replacement parts.
 Failure to do so could be hazardous, damage your snow thrower and void your warranty.

REPAIR PARTS

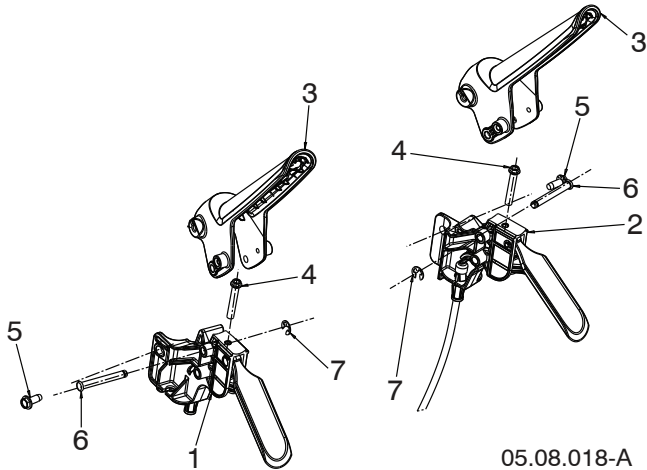
CONTROL PANEL / DISCHARGE CHUTE

SNOW THROWER - MODEL NO. ST 424T (96193013201), PRODUCT NO. 961 93 01-32



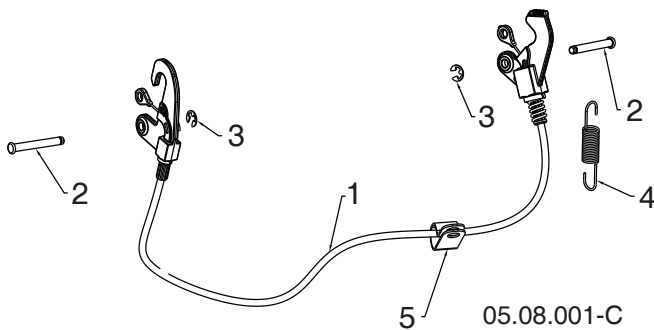
05.11.009-B

KEY NO.	PART NO.	DESCRIPTION
1	532 42 11-38	SHIELD DEFLECTOR
2	532 43 58-31	STRAP
3	586 11 80-01	SCREW MACHINE 8-32 X .50 - BLK
4	586 11 81-01	NUT HEX NYLOCK 8-32 - BLK



05.08.018-A

KEY NO.	PART NO.	DESCRIPTION
1	589 28 95-01	CABLE,POWER STEER - LHS
2	589 28 95-02	CABLE,POWER STEER - RHS
3	589 80 38-01	LEVER,CONTROL
4	581 32 95-01	SCREW HI-LO 13-16 X 1.50
5	817 06 04-10	SCREW 1/4-20 X .625
6	532 43 17-62	PIN, GROOVED
7	812 00 00-14	E-RING



05.08.001-C

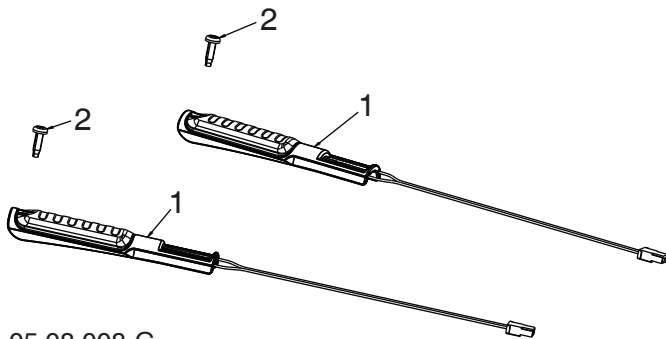
KEY NO.	PART NO.	DESCRIPTION
1	593 85 34-01	CABLE INTERLOCK
2	532 43 17-62	PIN GROOVED
3	812 00 00-14	E-RING
4	581 15 12-01	SPRING RETURN
5	532 19 79-91	CLIP CABLE BLACK

NOTE: All component dimensions given in U.S. inches. 1 inch = 25.4 mm
IMPORTANT: Use only Original Equipment Manufacturer (O.E.M.) replacement parts.
 Failure to do so could be hazardous, damage your snow thrower and void your warranty.

REPAIR PARTS

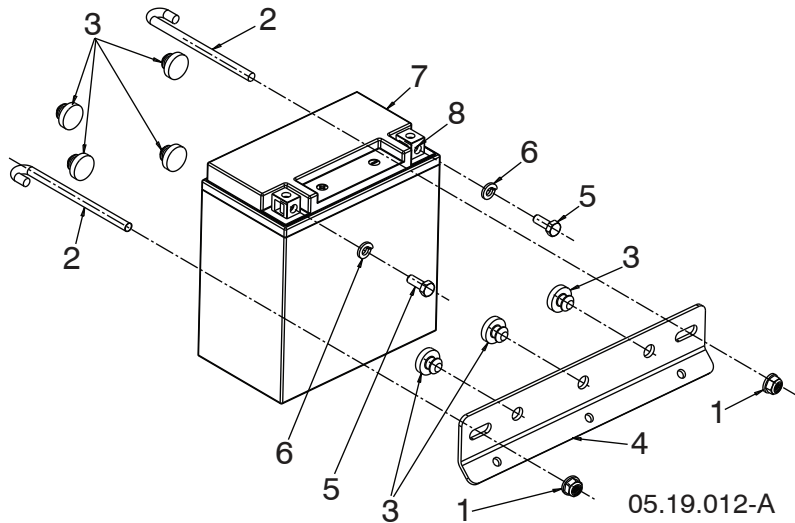
CONTROL PANEL / DISCHARGE CHUTE

SNOW THROWER - MODEL NO. ST 424T (96193013201), PRODUCT NO. 961 93 01-32



KEY NO.	PART NO.	DESCRIPTION
1	590 49 36-01	GRIP, HEATED, DSST SHO
2	532 44 22-50	SCREW PAN HD TORX 1/4-20 X .75

05.08.008-G



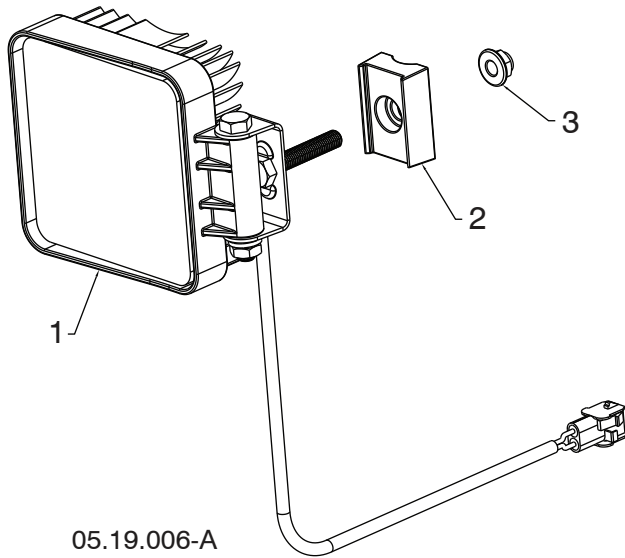
KEY NO.	PART NO.	DESCRIPTION
1	582 47 86-02	NUT - 1/4-20 FLANGE LOCKING
2	588 83 94-01	J-HOOK
3	585 98 93-01	BUMPER - RUBBER
4	590 94 29-02	BATTERY STRAP
5	532 43 80-39	SCREW M6X1 X 16L
6	596 02 98-01	LOCK WASHER - 1/4
7	532 43 71-57	BATTERY AGM 12V 230CCA
8	594 08 65-01	SQUARE NUT - M6X1

NOTE: All component dimensions given in U.S. inches. 1 inch = 25.4 mm
IMPORTANT: Use only Original Equipment Manufacturer (O.E.M.) replacement parts.
 Failure to do so could be hazardous, damage your snow thrower and void your warranty.

REPAIR PARTS

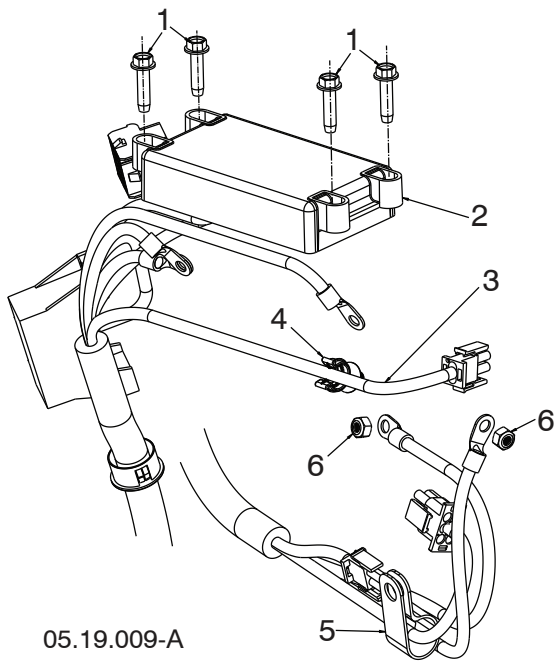
CONTROL PANEL / DISCHARGE CHUTE

SNOW THROWER - MODEL NO. ST 424T (96193013201), PRODUCT NO. 961 93 01-32



05.19.006-A

KEY NO.	PART NO.	DESCRIPTION
1	590 07 13-01	4.25 X 4.25 LIGHT
2	590 73 98-01	LIGHT MOUNTING BRACKET
3	532 42 79-42	HEX HD 5/16-18 FLANGE NYLOCK



05.19.009-A

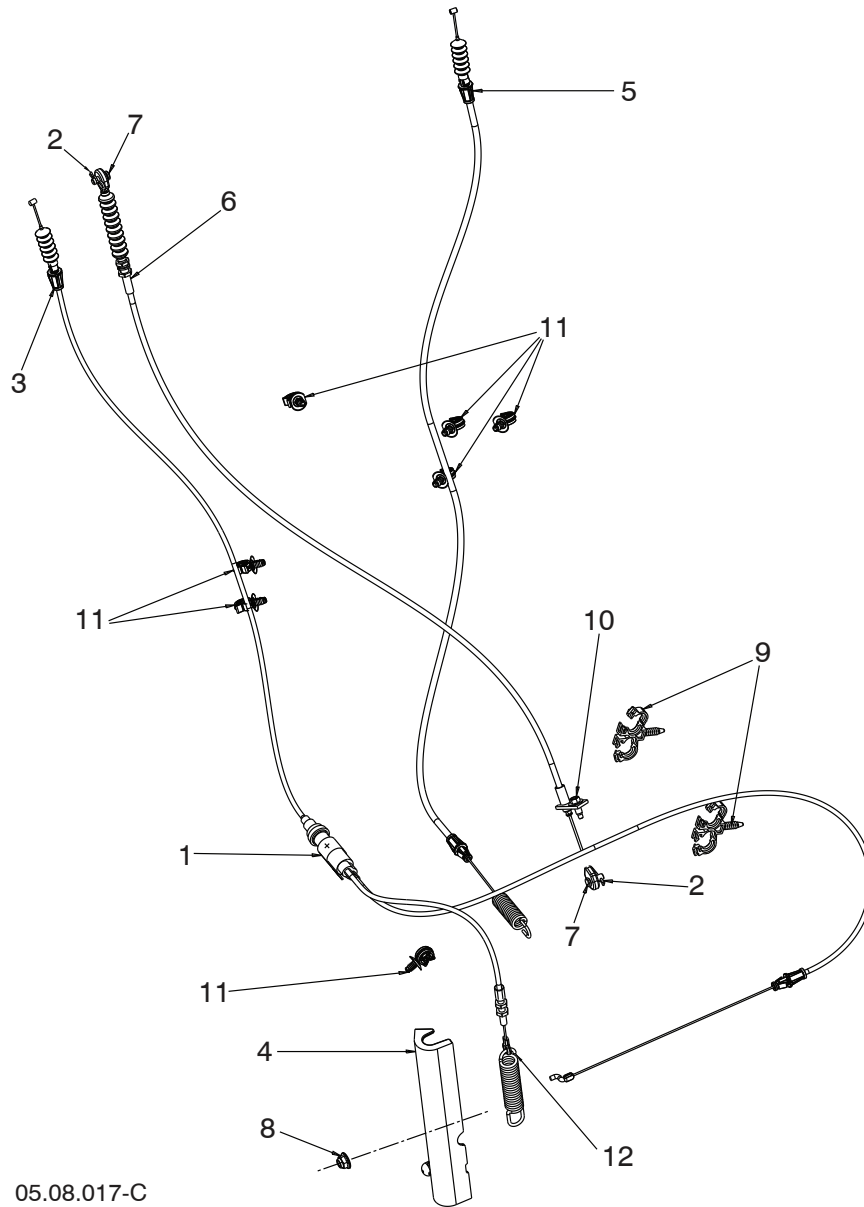
KEY NO.	PART NO.	DESCRIPTION
1	585 69 11-01	SCREW 1/4-20 X 1.0
2	593 08 46-02	ENGINE CONTROL UNIT – EFI 306cc
3	593 07 93-01	HARNESS - LOWER EFI
4	595 27 17-01	CLIP, CORRUGATED TUBE
5	532 19 79-91	P CLIP
6	597 43 41-01	M6 X 1.0 NYLOC NUT

NOTE: All component dimensions given in U.S. inches. 1 inch = 25.4 mm
IMPORTANT: Use only Original Equipment Manufacturer (O.E.M.) replacement parts. Failure to do so could be hazardous, damage your snow thrower and void your warranty.

REPAIR PARTS

CONTROL PANEL / DISCHARGE CHUTE

SNOW THROWER - MODEL NO. ST 424T (96193013201), PRODUCT NO. 961 93 01-32



05.08.017-C

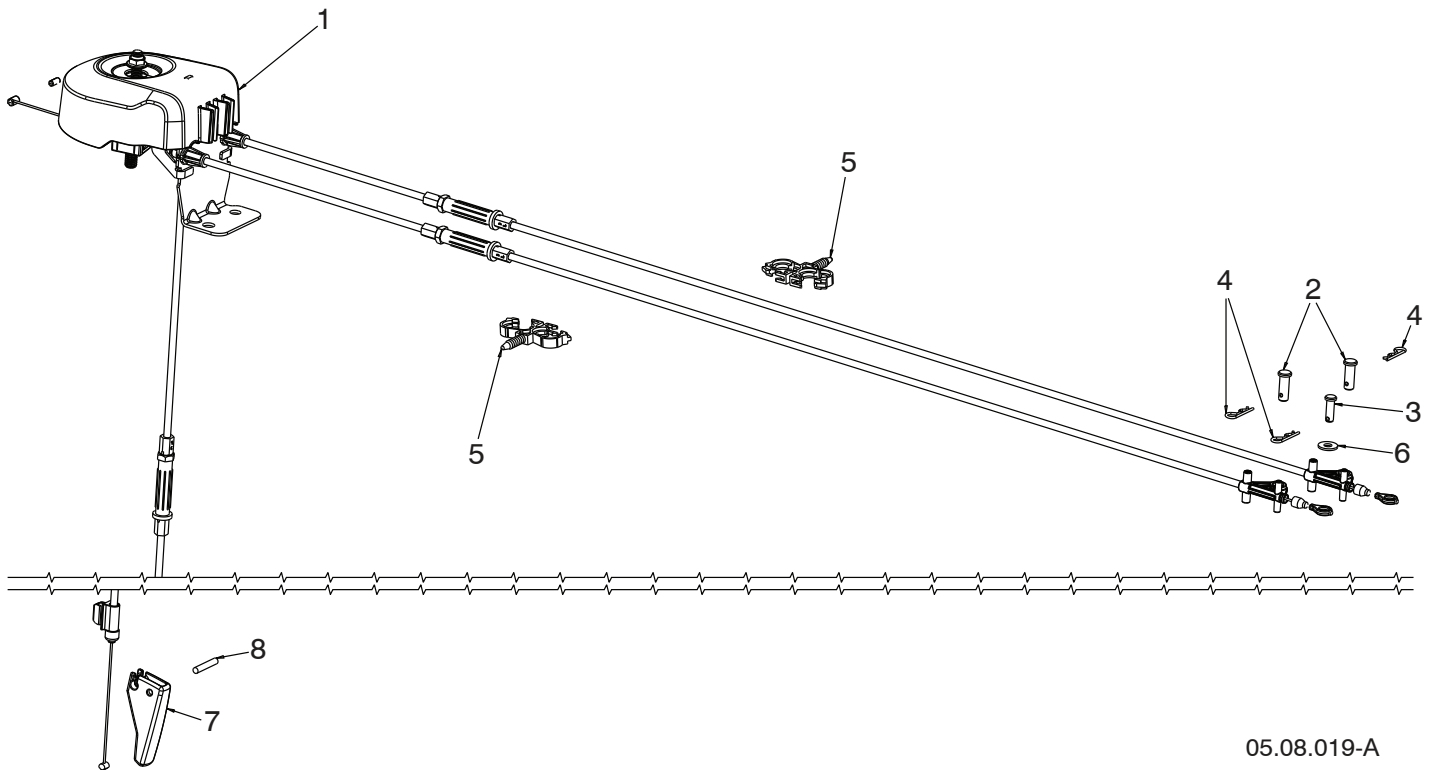
KEY NO.	PART NO.	DESCRIPTION	KEY NO.	PART NO.	DESCRIPTION
1	532 19 79-91	CLIP	8	532 42 79-42	NUT
2	532 42 33-03	HAIRPIN	9	584 65 22-01	CLIP, DUAL
3	579 76 36-01	CABLE - IMPELLER	10	585 51 78-01	SCREW - 1/4-20 x .65
4	589 26 52-01	COVER - CABLE	11	592 85 74-01	CLIP, CABLE
5	589 28 98-01	CABLE - HYDRO DRIVE	12	594 71 65-01	AUGER CABLE SPRING
6	590 02 66-01	CABLE - HYDRO SPEED			
7	590 80 09-01	PIN - CLEVIS			

NOTE: All component dimensions given in U.S. inches. 1 inch = 25.4 mm
IMPORTANT: Use only Original Equipment Manufacturer (O.E.M.) replacement parts.
 Failure to do so could be hazardous, damage your snow thrower and void your warranty.

REPAIR PARTS

CONTROL PANEL / DISCHARGE CHUTE

SNOW THROWER - MODEL NO. ST 424T (96193013201), PRODUCT NO. 961 93 01-32



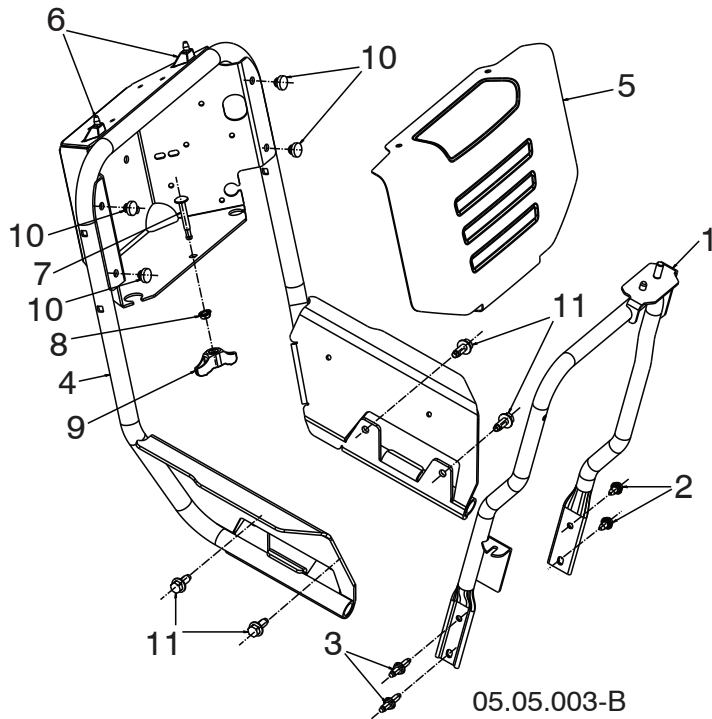
KEY NO.	PART NO.	DESCRIPTION
1	591 08 68-01	CABLE CHUTE ROTATOR ASM - LOCKING
2	581 32 94-01	PIN CLEVIS 5/16 X 7/8
3	877 10 08-12	PIN CLEVIS 1/4 X 3/4
4	532 42 33-03	HAIRPIN SOFT ZINC
5	584 65 22-01	CLIP CONDUIT DOUBLE
6	586 68 21-01	WASHER
7	589 79 60-01	ROTATOR LOCK LEVER
8	532 78 36-00	3/16 X 1.0 ROLL PIN

NOTE: All component dimensions given in U.S. inches. 1 inch = 25.4 mm
IMPORTANT: Use only Original Equipment Manufacturer (O.E.M.) replacement parts.
 Failure to do so could be hazardous, damage your snow thrower and void your warranty.

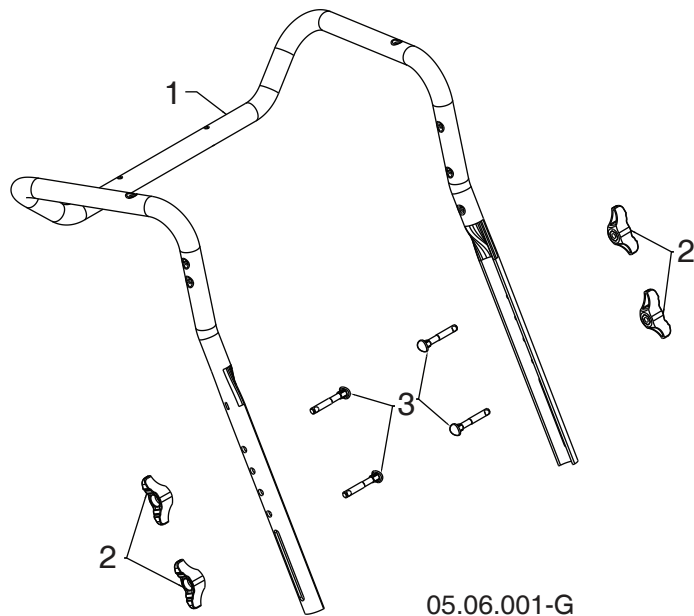
REPAIR PARTS

HANDLES

SNOW THROWER - MODEL NO. ST 424T (96193013201), PRODUCT NO. 961 93 01-32

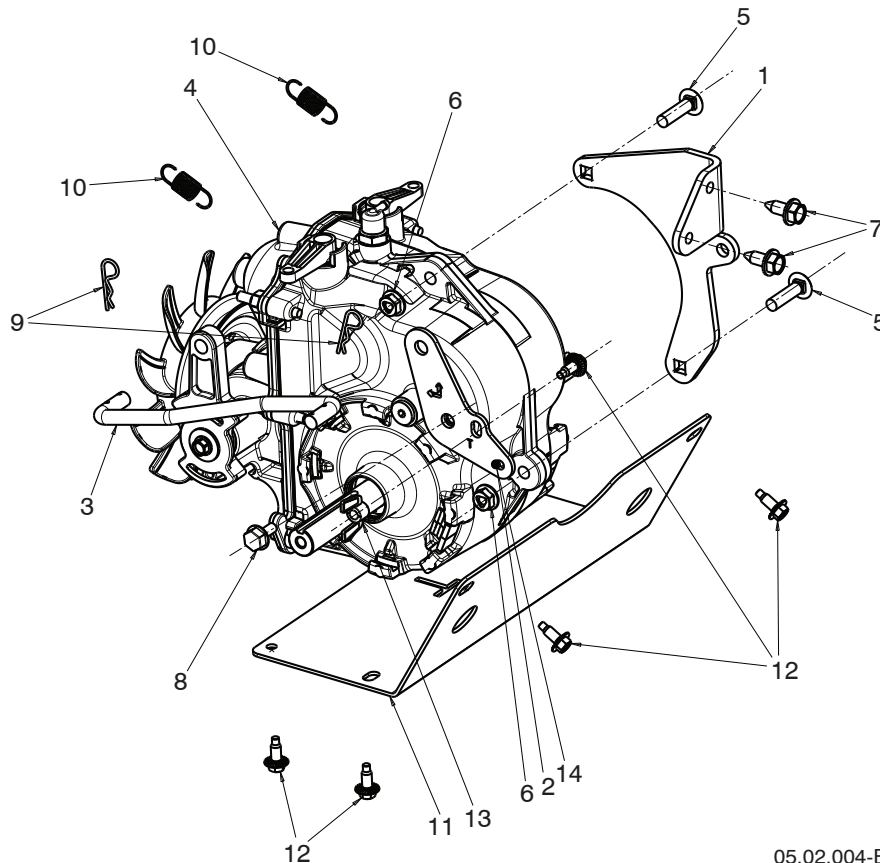


KEY NO.	PART NO.	DESCRIPTION
1	589 26 45-02	SUPPORT
2	817 00 05-10	BOLT 5/16-18 x .625
3	582 91 79-01	STUD - 5/16-18
4	589 87 57-02	HANDLE - LOWER
5	590 94 28-02	COVER - BATTERY
6	595 02 62-01	STUD - BATTERY COVER
7	501 06 71-01	CARRIAGE BOLT 5/16-18
8	532 15 53-77	NUT - 5/16-18
9	594 94 06-01	KNOB
10	585 98 93-01	BUMPER
11	595 51 79-01	SCREW - 3/8-16 MATHREAD



KEY NO.	PART NO.	DESCRIPTION
1	588 16 08-03	UPPER HANDLE
2	532 19 19-38	HANDLE KNOB STD BLACK
3	588 05 99-01	SCREW 5/16-18 X 2.25 CONCAVE HEAD WITH PATCH

NOTE: All component dimensions given in U.S. inches. 1 inch = 25.4 mm
IMPORTANT: Use only Original Equipment Manufacturer (O.E.M.) replacement parts.
 Failure to do so could be hazardous, damage your snow thrower and void your warranty.



05.02.004-B

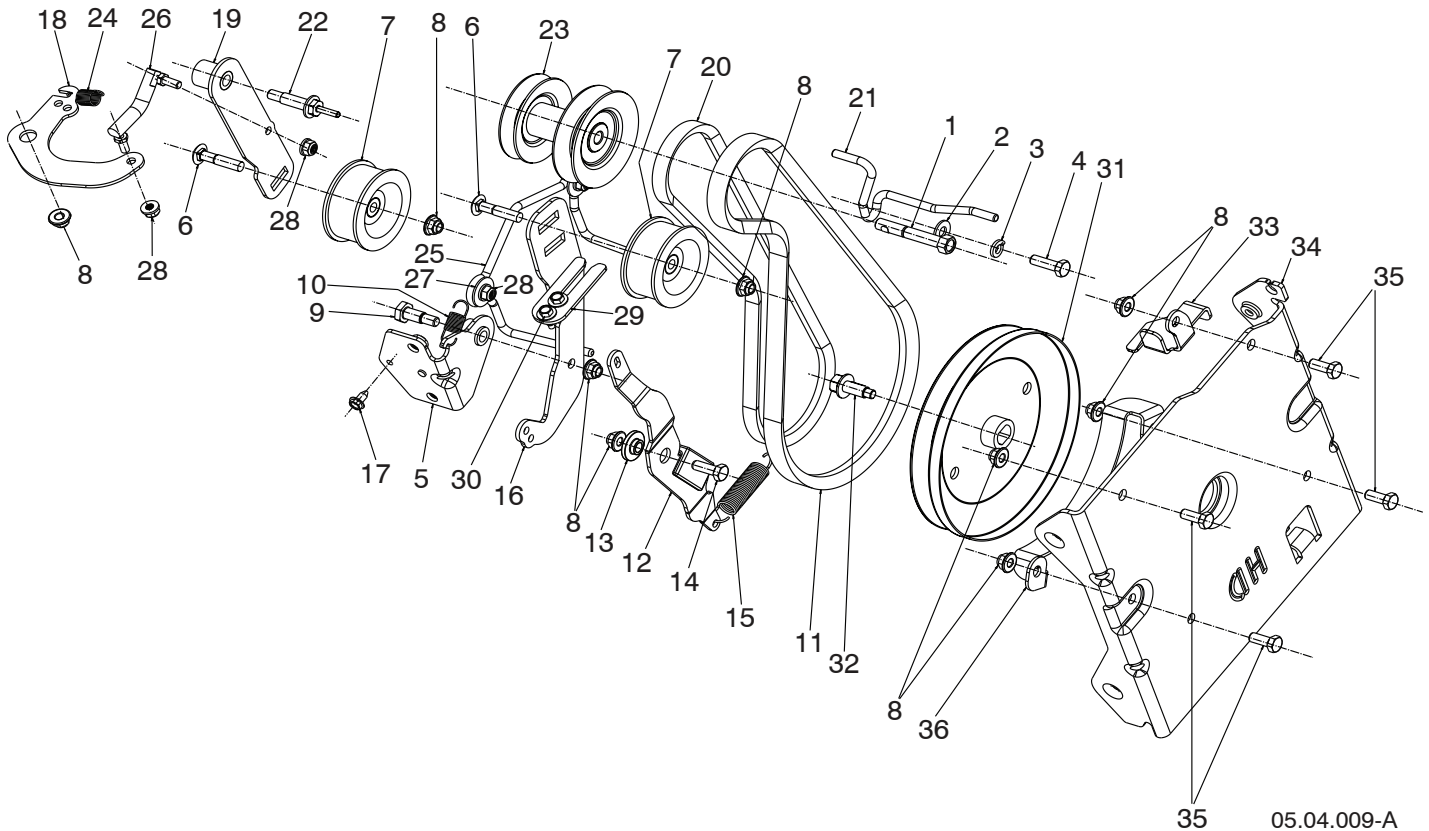
KEY NO.	PART NO.	DESCRIPTION
1	589 28 88-01	TRANSMISSION MOUNT
2	589 28 90-02	SPEED BELCRANK
3	589 28 93-01	SPEED ROD
4	589 28 87-01	TRANSMISSION
5	872 11 05-10	5/16-18 X 1.25 CARRIAGE BOLT
6	532 75 11-53	5/16-18 FLANGE LOCK NUT
7	532 42 88-67	5/16-18 BOLT
8	595 51 76-01	SHOULDER BOLT
9	532 16 96-75	HAIR PIN
10	589 26 37-01	RETURN SPRING
11	583 80 86-01	BELLY PAN TRACK
12	585 51 78-01	1/4-20 DOG POINT SCREW
13	539 99 09-97	WINGNUT - 1/4-20 NYLOC
14	532 05 38-47	THRUST WASHER

NOTE: All component dimensions given in U.S. inches. 1 inch = 25.4 mm
IMPORTANT: Use only Original Equipment Manufacturer (O.E.M.) replacement parts.
 Failure to do so could be hazardous, damage your snow thrower and void your warranty.

REPAIR PARTS

CHASSIS / ENGINE / PULLEYS

SNOW THROWER - MODEL NO. ST 424T (96193013201), PRODUCT NO. 961 93 01-32



KEY NO.	PART NO.	DESCRIPTION	KEY NO.	PART NO.	DESCRIPTION
1	582 38 84-01	BOLT - 3/8-24 X 2.375	20	589 29 06-01	BELT - 4L DRIVE
2	596 20 41-01	WASHER	21	589 29 07-01	GUIDE - BELT 4L DRIVE 5L IMPELLER
3	596 23 88-01	WASHER	22	589 29 08-01	GUIDE - DRIVE BELT
4	874 61 05-16	SCREW - 5/16-24 X 1.0	23	589 26 22-02	PULLEY
5	589 26 34-02	BRACKET - WELDMENT, IDLER ARM	24	589 48 16-01	SPRING
6	589 28 45-01	BOLT - 5/16-18 X 1.50 CARRIAGE	25	589 76 07-01	GUIDE - HYDRO BELT
7	589 26 27-01	PULLEY - IDLER	26	590 72 07-01	LINK ASSY
8	532 42 79-42	FLANGE NUT - 5/16-18	27	513 91 89-00	WASHER
9	589 26 36-01	SCREW - SHOULDER 3/8	28	582 47 86-02	FLANGE LOCKNUT 1/4-20
10	589 26 37-01	SPRING - RETURN	29	592 91 78-02	GUIDE - IDLER ARM
11	589 26 26-02	BELT - 5L HD IMPELLER	30	585 51 78-01	SCREW 1/4-20 X .65 WITH DOG POINT
12	579 76 33-01	ARM	31	589 26 38-01	PULLEY - IMPELLER.DD.5L.HD
13	587 34 37-01	BUSHING	32	595 51 79-01	SCREW - FLANGE HEAD CAP WITH DOG POINT, 3/8-16
14	596 32 22-01	BOLT - 5/16-18 X .875	33	589 26 25-05	GUIDE - BELT 5L
15	579 76 35-01	SPRING - BRAKE	34	501 59 54-02	INTERFACE BRACKET
16	589 26 29-02	ARM - IDLER	35	874 78 05-12	SCREW - 5/16-18 X .75
17	817 06 04-08	SCREW 1/4-20 X .50	36	581 63 20-02	LOWER BELT KEEPER
18	589 28 99-02	BELLCRANK - DRIVE			
19	589 29 05-02	ARM - DRIVE IDLER			

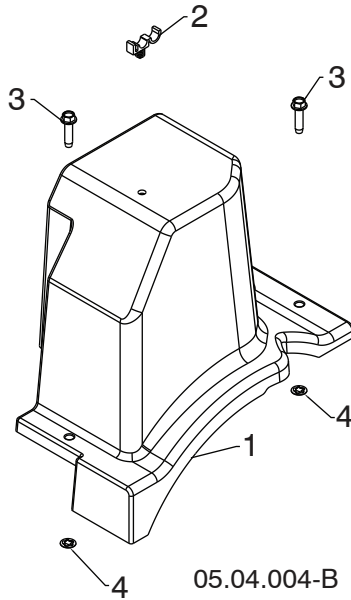
NOTE: All component dimensions given in U.S. inches. 1 inch = 25.4 mm

IMPORTANT: Use only Original Equipment Manufacturer (O.E.M.) replacement parts. Failure to do so could be hazardous, damage your snow thrower and void your warranty.

REPAIR PARTS

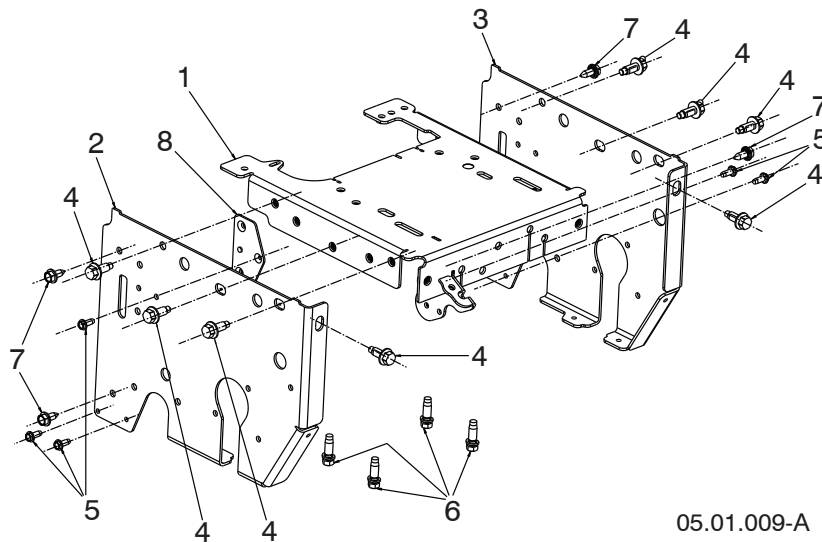
CHASSIS / ENGINE / PULLEYS

SNOW THROWER - MODEL NO. ST 424T (96193013201), PRODUCT NO. 961 93 01-32



05.04.004-B

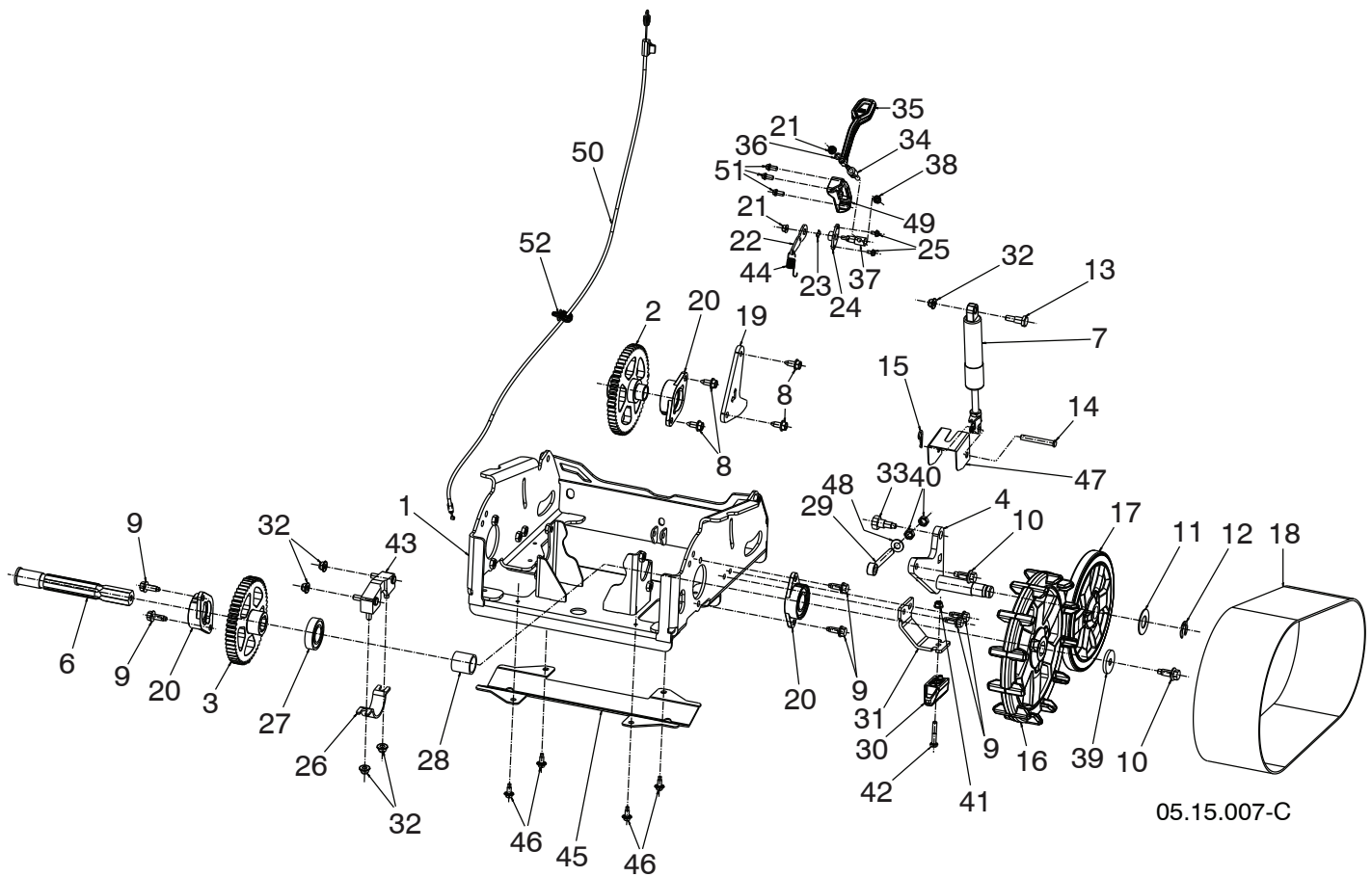
KEY NO.	PART NO.	DESCRIPTION
1	587 10 55-01	BELT COVER HI CRANK (INCLUDES #3 AND #4)
2	532 14 50-06	CABLE GUIDE
3	-----	BOLT HEX WSH THDRL 1/4-20 X 1
4	-----	PALNUT 1/4 IN



05.01.009-A

KEY NO.	PART NO.	DESCRIPTION
1	583 80 80-02	FRAME TOP
2	583 80 84-03	FRAME SIDE LHS
3	583 80 84-04	FRAME SIDE RHS
4	595 51 79-01	SCREW 3/8-16 X .75 MATHREAD
5	817 06 04-10	SCREW 1/4-20 x .625
6	532 15 04-06	SCREW 3/8-16 x 1.28
7	532 42 88-67	SCREW 5/16-18 x .75
8	590 04 46-02	BRACKET NUT

NOTE: All component dimensions given in U.S. inches. 1 inch = 25.4 mm
IMPORTANT: Use only Original Equipment Manufacturer (O.E.M.) replacement parts. Failure to do so could be hazardous, damage your snow thrower and void your warranty.



NOTE: All component dimensions given in U.S. inches. 1 inch = 25.4 mm
IMPORTANT: Use only Original Equipment Manufacturer (O.E.M.) replacement parts.
Failure to do so could be hazardous, damage your snow thrower and void your warranty.

REPAIR PARTS

WHEELS

SNOW THROWER - MODEL NO. **ST 424T** (96193013201), PRODUCT NO. 961 93 01-32

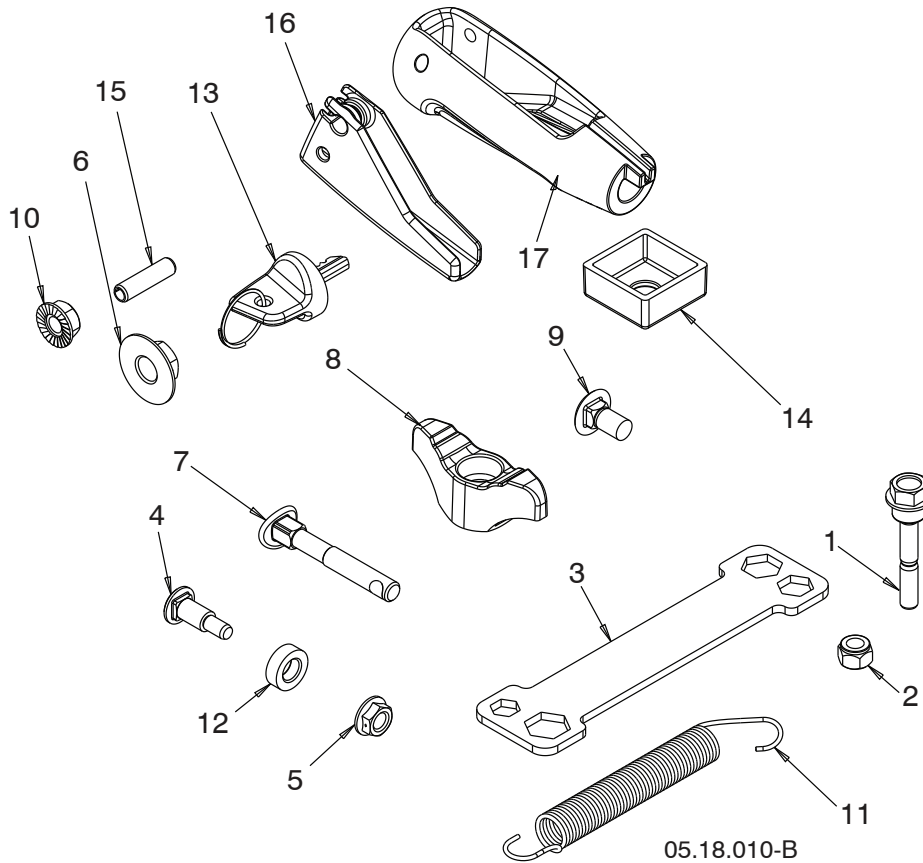
KEY NO.	PART NO.	DESCRIPTION	KEY NO.	PART NO.	DESCRIPTION
1	589 33 04-02	FRAME - TRACK	30	590 55 41-01	GUIDE - TRACK
2	593 09 21-01	GEAR - TRANSMISSION	31	590 55 42-02	BRACKET - TRACK GUIDE
3	589 33 18-01	GEAR - TRACK	32	532 42 79-42	NUT - 5/16-18 FLANGE NYLOC
4	589 33 24-01	ARM - ADJUSTMENT LHS	33	590 55 43-02	BOLT - SHOULDER .5"
5	589 33 24-02	ARM - ADJUSTMENT RHS	34	590 59 43-01	ROD - BUCKET HEIGHT CONTROL
6	589 45 95-01	AXLE - TRACK	35	590 59 42-01	LEVER - BUCKET HEIGHT
7	589 34 12-01	ACTUATOR - LOCKABLE GAS ASSIST	36	590 59 45-01	WASHER - WAVE .269 ID
8	532 42 88-67	SCREW - 5/16-18 X .75	37	590 59 44-01	AXLE - BUCKET HEIGHT CONTROL
9	595 51 77-01	SCREW - 5/16-18 X .75 Mathread	38	595 08 66-01	NUT - 1/4-20 NYLOC
10	595 51 79-01	SCREW - 3/8-16 X .75 Mathread	39	590 69 85-01	SPACER PLATE - 1.5 OD
11	532 18 89-67	WASHER - HARDENED	40	596 43 35-01	NUT 3/8-16 HEX JAM
12	812 00 00-29	KLIPRING	41	582 47 86-02	NUT - 1/4-20 FLANGE SIDE LOCK
13	589 35 36-01	BOLT - SHOULDER 10 MM	42	874 78 04-24	SCREW - 1/4-20 X 1.5
14	589 35 38-01	PIN - 5/16	43	590 55 36-01	MOUNT - BEARING
15	532 00 44-97	RETAINER - HAIRPIN	44	589 48 16-01	SPRING - EXTENSION
16	590 55 44-01	SPROCKET - TRACK DRIVE	45	590 84 96-02	COVER - TRACK GEAR
17	589 36 78-01	WHEEL - TRACK IDLER	46	585 51 78-01	SCREW - 1/4-20 X .65 DOG POINT
18	589 36 75-01	BELT - TRACK DRIVE	47	590 84 84-02	COVER - GAS STRUT RELEASE HEAD
19	589 79 32-02	BRACKET - LIFT STOP	48	596 56 53-01	WASHER - 3/8
20	590 00 06-01	CARRIER - WITH BEARING	49	595 08 04-01	BRACKET - BUCKET HEIGHT LEVER
21	589 92 70-01	NUT - 10-24 FLANGE NYLOC	50	589 74 59-01	CABLE ASSY - BUCKET HEIGHT ADJUST
22	589 64 49-02	ARM - BUCKET HEIGHT ADJUSTER	51	817 41 13-08	13-16 x .50 HI-LO SCREW
23	589 74 65-01	WASHER - WAVE .393 ID	52	592 85 74-01	CLIP, CABLE
24	589 64 53-01	BUSHING - HEIGHT ADJUSTER			
25	532 70 02-16	SCREW - 10-24 X .375			
26	590 55 37-01	MOUNT - BEARING STRAP			
27	590 55 38-01	BEARING R16-2RS			
28	590 55 39-01	SPACER - TRACK AXLE			
29	590 55 40-01	ROD END - 3/8			

NOTE: All component dimensions given in U.S. inches. 1 inch = 25.4 mm
IMPORTANT: Use only Original Equipment Manufacturer (O.E.M.) replacement parts.
 Failure to do so could be hazardous, damage your snow thrower and void your warranty.

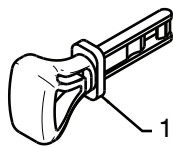
REPAIR PARTS

BAG OF PARTS

SNOW THROWER - MODEL NO. ST 424T (96193013201), PRODUCT NO. 961 93 01-32



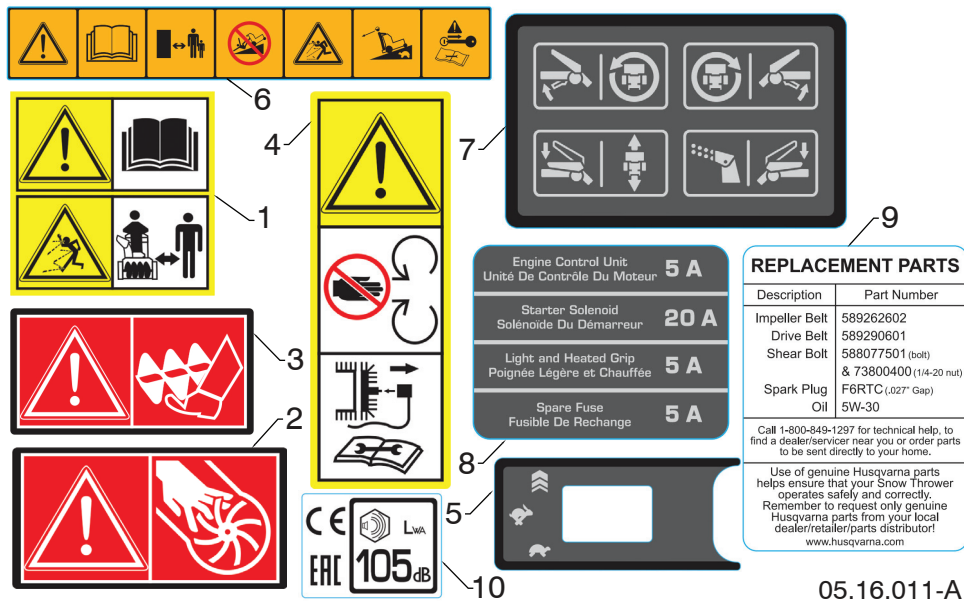
KEY NO.	PART NO.	DESCRIPTION	KEY NO.	PART NO.	DESCRIPTION
1	588 07 75-01	BOLT 1/4-20 X 1.81	9	585 83 20-01	BOLT 5/16-18 X .625
2	873 80 04-00	NUT NYLOCK 1/4-20	10	873 97 05-00	NUT SERR FL LOCK 5/16-18
3	597 43 31-01	WRENCH	11	532 18 45-05	SPRING DEFLECT CHUTE
4	501 41 73-01	BOLT SHOULDER	12	501 41 74-01	WASHER NYLON
5	585 69 14-01	NUT HEX FL 1/4-20 CTR	13	591 07 06-01	IGNITION KEY
6	585 69 10-01	NUT NYLOCK 3/8-16	14	591 08 74-01	CHUTE RETAINER
7	588 05 99-01	BOLT 5/16-18 X 2.25 CONCAVE	15	532 78 36-00	ROLL PIN
8	532 18 97-13	KNOB 5/16-18 TWO-WING	16	589 79 60-01	ROTATOR TRIGGER
			17	589 80 11-01	KNOB CHUTE ROTATOR



01.14.009-B

KEY NO.	PART NO.	DESCRIPTION
1	532 44 30-59	SAFETY IGNITION KEY KIT

NOTE: All component dimensions given in U.S. inches. 1 inch = 25.4 mm
IMPORTANT: Use only Original Equipment Manufacturer (O.E.M.) replacement parts. Failure to do so could be hazardous, damage your snow thrower and void your warranty.



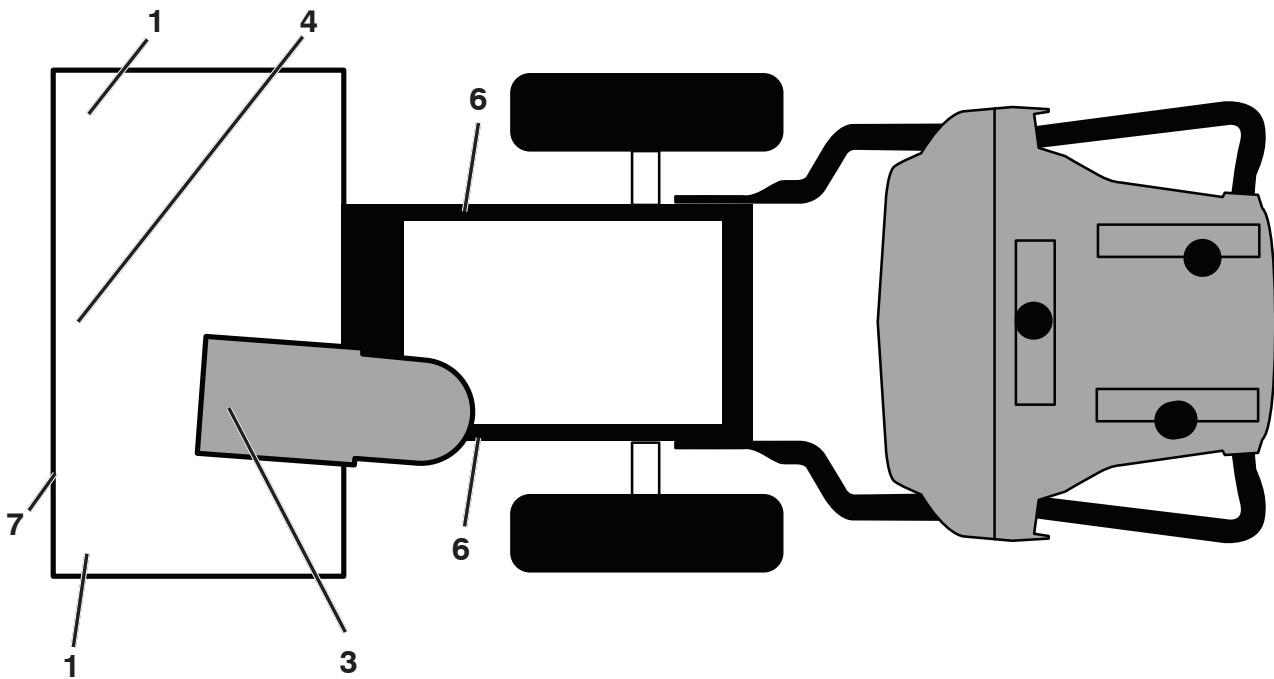
REPLACEMENT PARTS	
Description	Part Number
Impeller Belt	589262602
Drive Belt	589290601
Shear Bolt	588077501 (bolt) & 73800400 (1/4-20 nut)
Spark Plug	F6RTC (.027" Gap)
Oil	5W-30

Call 1-800-849-1297 for technical help, to find a dealer/service near you or order parts to be sent directly to your home.

Use of genuine Husqvarna parts helps ensure that your Snow Thrower operates safely and correctly. Remember to request only genuine Husqvarna parts from your local dealer/retailer/parts distributor!
www.husqvarna.com

KEY NO.	PART NO.	DESCRIPTION
1	532 18 40-45	DECAL AUGER
2	590 81 22-01	DECAL CHUTE
3	532 19 96-83	DECAL AUGER SAFETY
4	532 18 40-28	DECAL BELT GUARD
5	593 09 25-01	DECAL THROTTLE
6	593 09 26-01	DECAL CONSOLE WARNING
7	593 09 27-01	DECAL CONSOLE INSTRUCTION
8	593 14 69-01	DECAL FUSE
9	593 14 70-01	DECAL REPLACEMENT PARTS
10	588 04 98-01	DECAL NOISE LEVEL

NOTE: All component dimensions given in U.S. inches. 1 inch = 25.4 mm
IMPORTANT: Use only Original Equipment Manufacturer (O.E.M.) replacement parts. Failure to do so could be hazardous, damage your snow thrower and void your warranty.



KEY PART NO.	PART NO.	DESCRIPTION
1	532 19 96-83	DECAL, DANGER
3	590 81 22-01	DECAL, DANGER, DEFLECTOR CHUTE
4	532 18 40-45	DECAL, DANGER
6	532 18 40-28	DECAL, BELT GUIDE
7	593 09 63-01	DECAL, AUGER FRONT
--	590 69 72-01	DECAL, ENGINE REWIND (NOT SHOWN)
--	532 42 86-77	"H" EMBLEM (NOT SHOWN)
--	114 07 23-49	OPERATOR'S MANUAL, ENGLISH, FRENCH, SPANISH
--	114 07 23-10	OPERATOR'S MANUAL, SCAN
--	114 07 23-20	OPERATOR'S MANUAL, EURO
--	114 07 23-40	OPERATOR'S MANUAL, BALTIC
--	114 07 23-50	OPERATOR'S MANUAL, EBLOC

NOTE: All component dimensions given in U.S. inches. 1 inch = 25.4 mm
IMPORTANT: Use only Original Equipment Manufacturer (O.E.M.) replacement parts. Failure to do so could be hazardous, damage your snow thrower and void your warranty.

291/306/369/414/420cc EFI Snow Engines

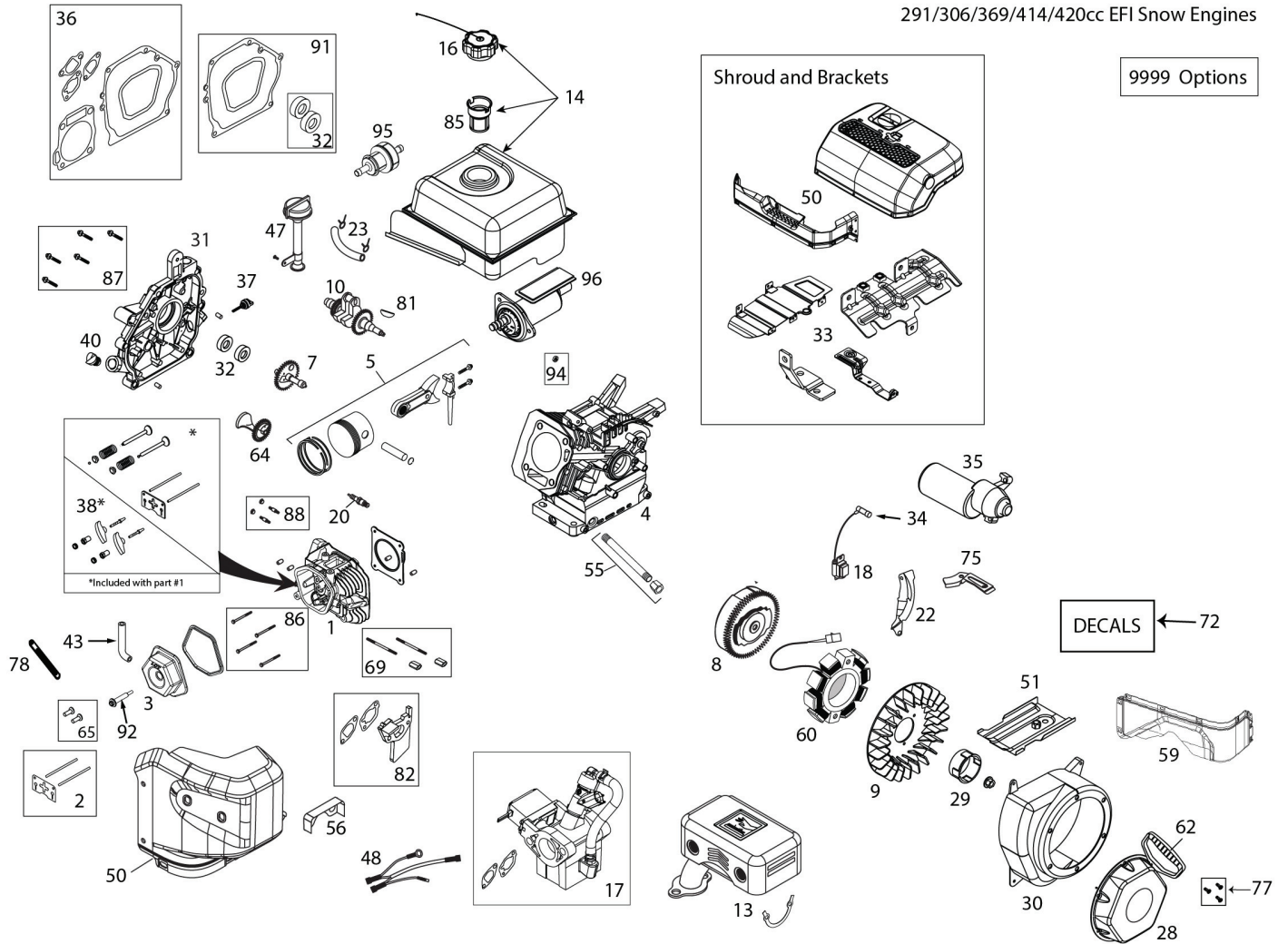


ILLUSTRATION FOR REFERENCE PURPOSES ONLY

ENGINE, LCT**COMPLETE ENGINE-592919301**

KEY PART NO.	PART NO.	DESCRIPTION	KEY PART NO.	PART NO.	DESCRIPTION
1	597 50 46-01	CYLINDER HEAD	36	597 50 58-01	ENGINE GASKET KIT
2	532 42 96-13	PUSH ROD & PLATE KIT (W/ COVER GSKT)	37	532 43 55-34	SMALL BLACK OIL DIPSTICK (PLASTIC)
3	532 42 93-03	VALVE COVER (W/ GASKET)	38	532 42 96-12	ROCKER ARM KIT (W/ GASKET)
5	597 50 47-01	PISTON AND ROD ASSEMBLY	40	532 42 92-42	NON-REMOVABLE PLASTIC PLUG
7	597 50 48-01	CAMSHAFT - MCR	43	580 35 38-01	BREATHER TUBE
8	532 44 38-95	FLYWHEEL - ELEC START	49	532 43 54-94	OIL DRAIN PLUG W/WASHER
9	532 42 92-38	COOLING FAN - FLYWHEEL	50	597 35 93-01	TOP SHROUD
10	590 92 22-01	CRANKSHAFT #18 WITH KEY	50	597 50 59-01	THROTTLE BODY COVER
13	597 50 49-01	MUFFLER	51	597 50 60-01	SHIELD - CYLINDER
14	597 35 80-01	FUEL TANK ASSEMBLY (PUMP NOT INCLUDED)	55	587 13 99-01	OIL DRAIN TUBE W/ CAP NUT
16	597 35 81-01	FUEL CAP	56	597 35 99-01	THROTTLE BODY VAPOR SHIELD
17	597 50 50-01	THROTTLE BODY ASSEMBLY	58	532 42 92-98	SHIELD - GOVERNOR LINKAGE
18	532 44 39-44	CDI IGNITION COIL	59	597 36 01-01	RECOIL SHROUD
20	532 42 92-55	SPARK PLUG	59	597 36 02-01	SHROUD - PTO SIDE
23	597 35 83-01	FUEL HOSE KIT (QTY 3 W/CLAMPS)	60	597 36 03-01	CHARGING COIL (75-WATT AC)
24	597 50 52-01	SPEED CONTROL BRACKET (SHIELD)	62	532 44 38-99	STARTER GRIP-SNOW
28	582 62 11-01	RECOIL STARTER	65	581 37 29-01	TAPPET KIT (SET OF 2)
29	582 62 13-01	STARTER CUP	69	597 50 61-01	THROTTLE BODY MTG STUD KIT (2)
30	597 50 53-01	BLOWER HOUSING	72	597 36 04-01	LABEL KIT (HOP) (EFI)
31	597 50 54-01	CYL COVER (COMPLETE ASSEMBLY)	75	590 92 25-01	WIRE GUIDE PLATE
32	532 42 92-83	OIL SEAL KIT	77	532 43 26-88	RECOIL BOLT KIT (3 BOLTS PER KIT)
33	597 35 88-01	DIVIDER PLATE (BEWTEEN TANK AND MUFFLER)	78	585 77 13-01	BREATHER TUBE RETAINING STRAP
33	597 50 55-01	BRKT SHROUD SUPPORT (BE LOW DIVIDER PLATE)	79	587 15 20-01	SHIELD - THROTTLE BODY COVER
33	597 35 90-01	BRACKET - SHROUD MOUNTING (STARTER SIDE)	81	585 29 72-02	WOODRUFF FLYWHEEL KEYS
33	597 50 56-01	BRACKET - SHROUD SUPPORT (THROTTLE BODY SIDE)	82	585 02 05-01	THROTTLE BODY SPACER KIT
34	532 43 69-66	SPARK PLUG BOOT - WITH METAL SHIELD	85	586 32 56-01	FUEL TANK STRAINER
35	597 38 29-01	12V ELECTRIC STARTER	86	586 32 74-01	CYLINDER HEAD BOLT KIT (4)
			87	586 32 72-01	CC COVER BOLT KIT (7)
			91	587 99 41-03	CRANKSHAFT GASKET KIT
			92	587 99 52-01	VALVE COVER BOLT W/ SEAL
			95	597 36 06-01	FUEL FILTER (EFI)
			96	597 36 07-01	FUEL PUMP (EFI) W/SCREWS
			9999	597 50 62-01	ECU

