

ILLUSTRATED PARTS LIST

MODEL NUMBER ST 430

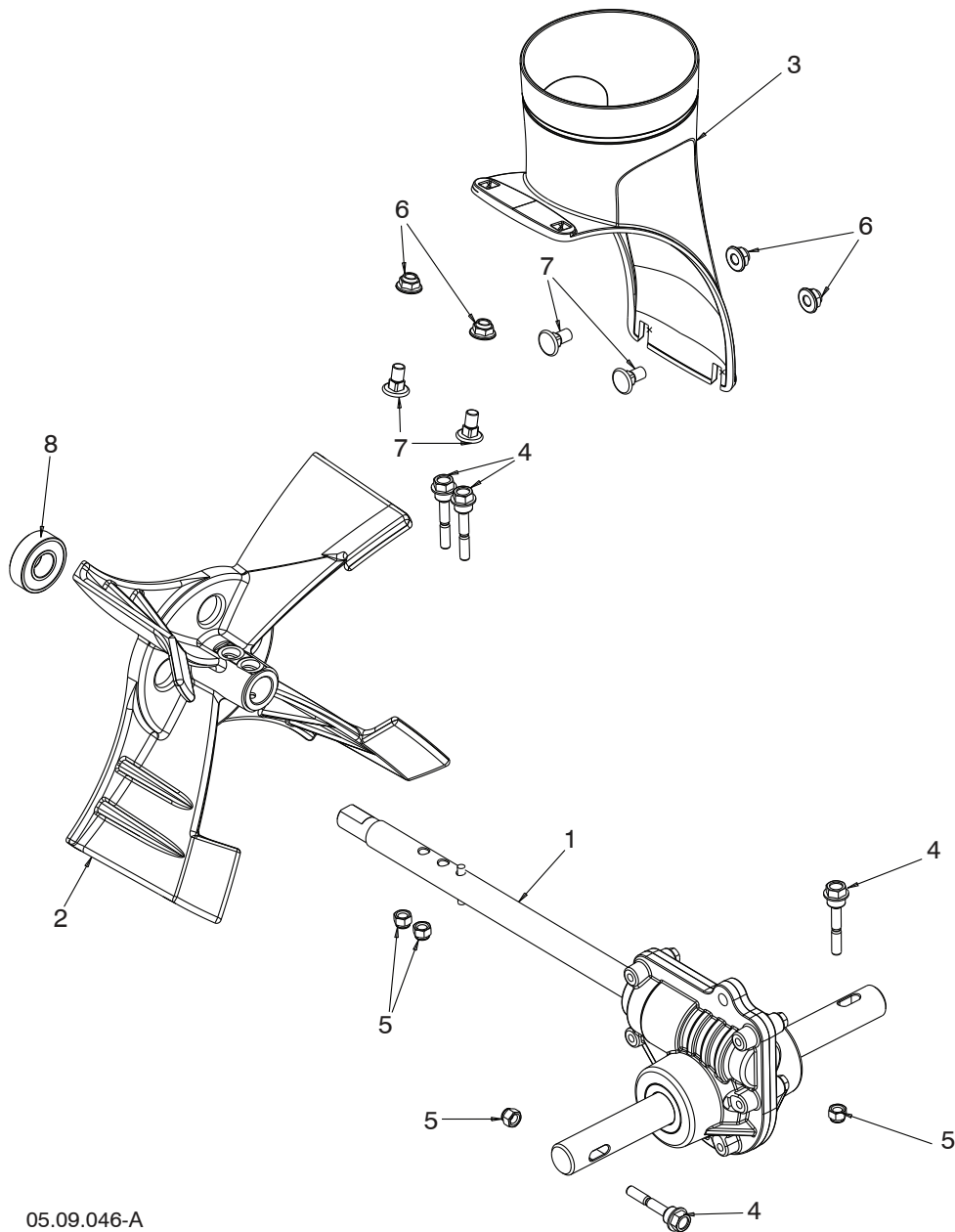
PRODUCT NUMBER 961 93 01-04

MFG. ID. NUMBER 96193010400

REPAIR PARTS

AUGER HOUSING / IMPELLER ASSEMBLY

SNOW THROWER - MODEL NO. ST 430 (96193010400), PRODUCT NO. 961 93 01-04



05.09.046-A

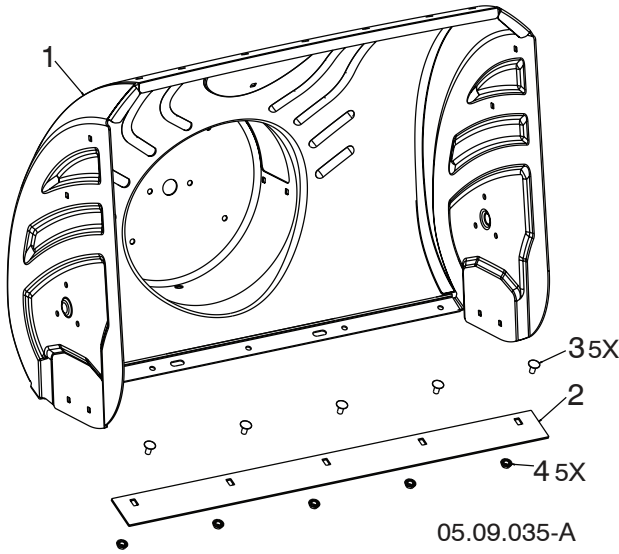
KEY NO.	PART NO.	DESCRIPTION	KEY NO.	PART NO.	DESCRIPTION
1	582 86 77-01	AUGER TRANSMISSION, CAST IRON	5	595 08 66-01	NUT. NYLOCK 1/4-20
2	585 19 83-03	IMPELLER, CAST IRON	6	585 69 13-01	NUT. FLANGE. NY LOCK 5/16-18 - BLK
3	593 04 28-02	CHUTE. DISCHARGE. BASE - CAST ALUMINUM	7	585 69 12-01	BOLT. CARRIAGE. WAFER HEAD 5/16-18 X 5/8- BLK
4	588 07 75-02	BOLT. SHEAR 1/4-20	8	532 19 87-91	BEARING. BALL

NOTE: All component dimensions given in U.S. inches. 1 inch = 25.4 mm
IMPORTANT: Use only Original Equipment Manufacturer (O.E.M.) replacement parts. Failure to do so could be hazardous, damage your snow thrower and void your warranty.

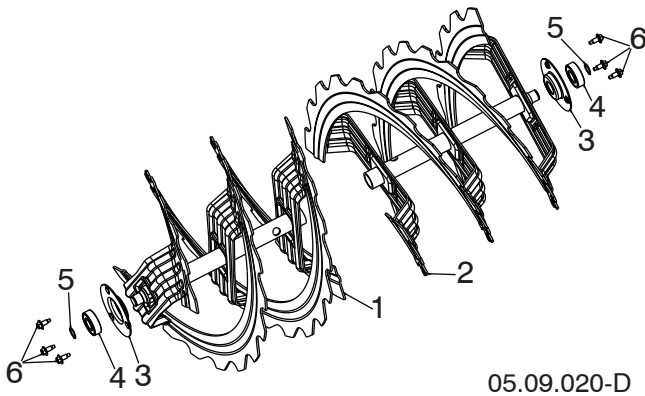
REPAIR PARTS

AUGER HOUSING / IMPELLER ASSEMBLY

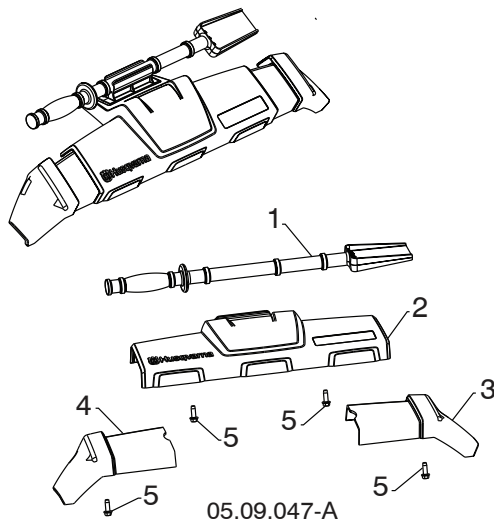
SNOW THROWER - MODEL NO. ST 430 (96193010400), PRODUCT NO. 961 93 01-04



KEY NO.	PART NO.	DESCRIPTION
1	588 61 02-40	AUGER HOUSING 30 LS
2	585 04 85-02	SHAVE PLATE 30 LS MS428
3	872 27 05-05	BOLT CARRIAGE 5/16-18 X .625
4	532 15 53-77	NUT 5/16-18 HEX TOP LOCK



KEY NO.	PART NO.	DESCRIPTION
1	581 97 05-03	AUGER RIBBON 30 RH LS
2	581 97 06-03	AUGER RIBBON 30 LH LS
3	580 85 55-01	SUPPORT AUGER BEARING
4	532 43 76-22	BEARING IDLER 6203
5	812 00 00-28	RING RETAINING #5100-52
6	585 51 78-01	SCREW 1/4-20 X .65 W/DOG POINT



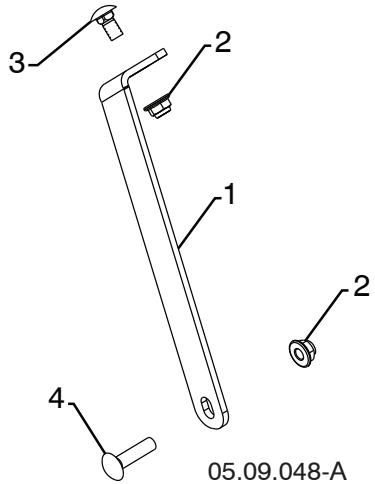
KEY NO.	PART NO.	DESCRIPTION
1	532 19 21-99	TOOL CLEANOUT
2	586 41 48-02	AUGER FRONT TRIM ASM
3	586 33 03-02	TRIM AUGER HOUSING WING RH
4	586 33 04-02	TRIM AUGER HOUSING WING LH
5	817 06 04-10	SCREW HEX WASHER TRI-LOBE 1/4-20 X 3/4

NOTE: All component dimensions given in U.S. inches. 1 inch = 25.4 mm
IMPORTANT: Use only Original Equipment Manufacturer (O.E.M.) replacement parts.
 Failure to do so could be hazardous, damage your snow thrower and void your warranty.

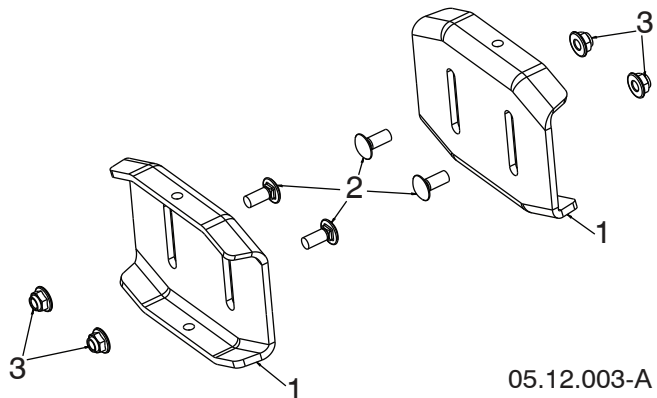
REPAIR PARTS

AUGER HOUSING / IMPELLER ASSEMBLY

SNOW THROWER - MODEL NO. ST 430 (96193010400), PRODUCT NO. 961 93 01-04



KEY NO.	PART NO.	DESCRIPTION
1	585 10 90-04	SUPPORT GEARBOX LS
2	585 69 13-01	NUT HEX FLG NYLOCK BLK 5/16-18
3	585 83 20-01	BOLT CARRIAGE BLK 5/16-18 X 5/8 BLK
4	872 11 05-10	BOLT CARRIAGE 5/16-18 X 1-1/4



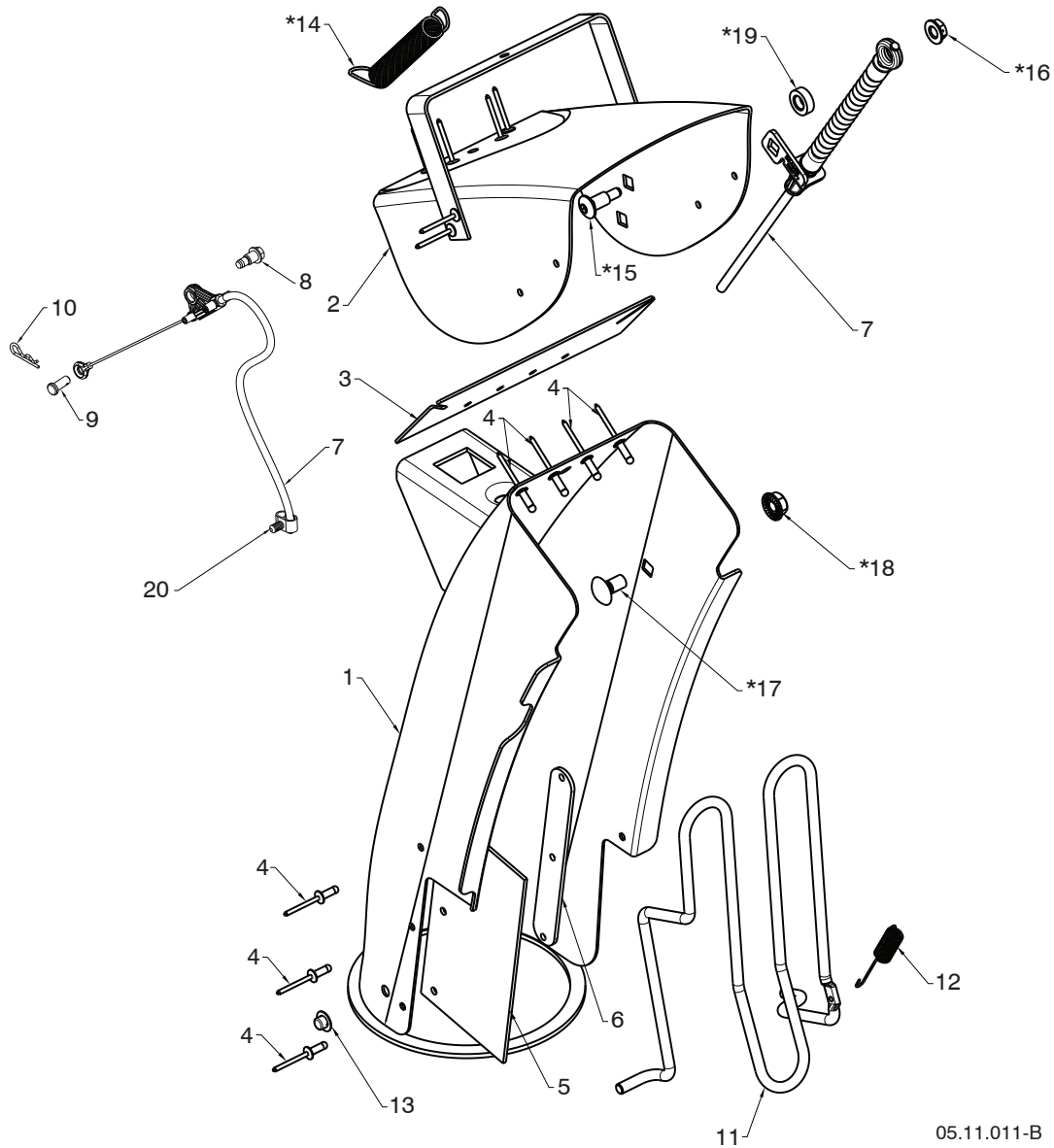
KEY NO.	PART NO.	DESCRIPTION
1	532 40 78-34	SKID PLATE
2	585 69 17-01	BOLT CARRIAGE 5/16-18 X .750 - BLK
3	585 69 13-01	NUT FLANGE NYLOCK 5/16-18 - BLK

NOTE: All component dimensions given in U.S. inches. 1 inch = 25.4 mm
IMPORTANT: Use only Original Equipment Manufacturer (O.E.M.) replacement parts. Failure to do so could be hazardous, damage your snow thrower and void your warranty.

REPAIR PARTS

CONTROL PANEL / DISCHARGE CHUTE

SNOW THROWER - MODEL NO. ST 430 (96193010400), PRODUCT NO. 961 93 01-04



05.11.011-B

KEY NO.	PART NO.	DESCRIPTION	KEY NO.	PART NO.	DESCRIPTION
1	588 07 78-02	CHUTE WELDMENT	12	532 43 56-16	GUARD RETURN SPRING
2	-----	RIVETED DEFLECTOR ASSEMBLY	13	532 05 93-49	PUSH NUT
3	-----	DEFLECTOR SEAL	*14	532 18 45-05	DEFLECTOR SPRING
4	-----	POP RIVET	*15	501 41 73-01	CARRIAGE BOLT 1/4-20 X .544
5	-----	CHUTE SNOW SHIELD	*16	585 69 14-01	NUT 1/4-20
6	-----	SHIELD STRAP RETAINER	*17	585 83 20-01	CARRIAGE BOLT 3/8-16 X .625
7	590 58 70-02	CONTROL.CHUTE. DEFLECTOR.BOWDEN	*18	873 97 05-00	NUT 5/16-18
8	581 72 61-01	SHOULDER BOLT 1/4-20	*19	501 41 74-01	WASHER .362 X .625 X .205 NYLON
9	590 80 09-01	PIN CLEVIS 1/4 X .438	20	532 18 15-80	CLIP, DUAL
10	532 42 33-03	HAIRPIN RETAINER			
11	593 62 22-01	CHUTE GUARD			

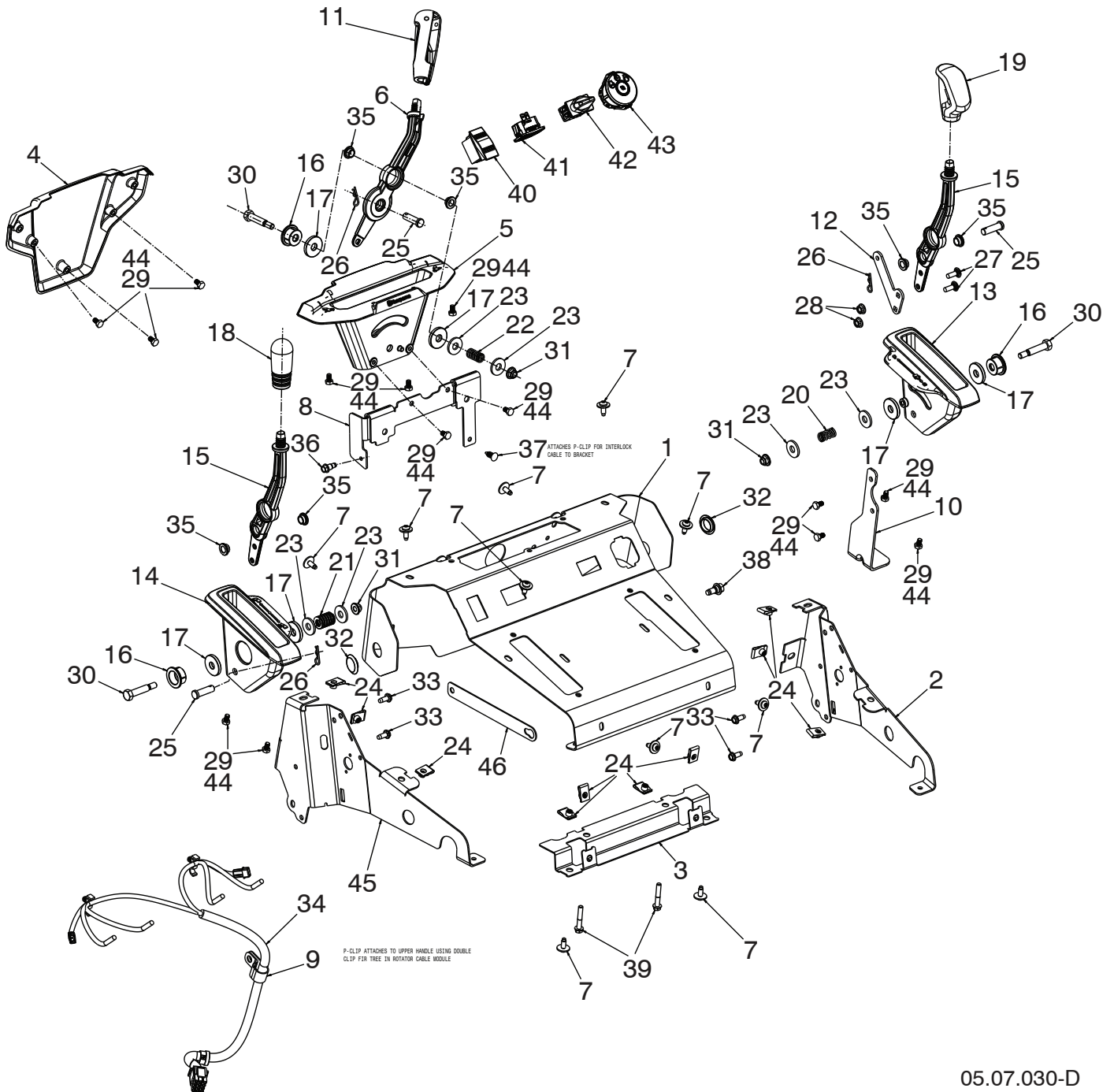
NOTE: ALL ITEMS MARKED WITH AN * ARE PROVIDED IN THE BAG OF ITEMS SHIPPED LOOSE WITH PRODUCT.

NOTE: All component dimensions given in U.S. inches. 1 inch = 25.4 mm
IMPORTANT: Use only Original Equipment Manufacturer (O.E.M.) replacement parts. Failure to do so could be hazardous, damage your snow thrower and void your warranty.

REPAIR PARTS

CONTROL PANEL / DISCHARGE CHUTE

SNOW THROWER - MODEL NO. ST 430 (96193010400), PRODUCT NO. 961 93 01-04



05.07.030-D

NOTE: All component dimensions given in U.S. inches. 1 inch = 25.4 mm
IMPORTANT: Use only Original Equipment Manufacturer (O.E.M.) replacement parts. Failure to do so could be hazardous, damage your snow thrower and void your warranty.

REPAIR PARTS

CONTROL PANEL / DISCHARGE CHUTE

SNOW THROWER - MODEL NO. **ST 430** (96193010400), PRODUCT NO. 961 93 01-04

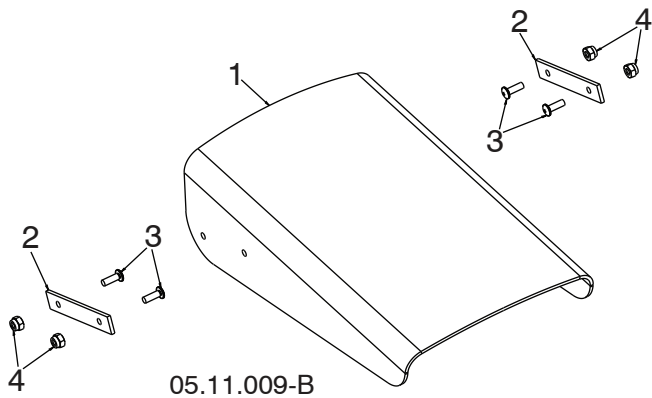
KEY NO.	PART NO.	DESCRIPTION	KEY NO.	PART NO.	DESCRIPTION
1	589 62 64-02	CONSOLE ASSY	27	596 23 84-01	1/4-20 X 3/4 CARRIAGE BOLT
2	589 62 68-04	CONSOLE SIDE RHS GREY	28	532 19 17-30	1/4-20 HEX FLANGE LOCKNUT
3	589 62 69-02	BRACKET REAR CONSOLE	29	597 42 55-01	1/4-20 X 3/8 HEX WASHER HD BOLT
4	589 75 42-01	BRACKET ROTATOR FRONT			
5	589 75 43-01	BRACKET ROTATOR REAR	30	593 09 20-01	BOLT SHOULDER 3/8 X 1.325
6	596 92 41-01	LEVER ROTATOR	31	594 94 44-01	NUT 5/16-18 HEX FLANGE NYLOCK
7	589 77 22-01	SCREW BUTTON HEAD WASHER CAP SCREW	32	593 08 42-01	PLUG 7/8
8	589 79 59-01	BRACKET CABLE CHUTE ROTATOR	33	817 06 04-10	SCREW 1/4-20 x 5/8 HEX WASHER
9	532 19 79-91	P-CLIP	34	593 07 92-01	HARNESS UPPER
10	589 79 65-01	BRACKET HYDRO CABLE	35	590 79 06-01	BUSHING LEVER
11	589 80 11-01	KNOB CHUTE ROTATOR	36	581 72 61-01	BOLT SHOULDER_1_4-20_ TRILOB
12	590 77 47-01	LEVER HYDRO CABLE			
13	589 75 41-01	BRACKET HYDRO LEVER	37	532 42 81-24	FIR TREE
14	589 75 40-01	BRACKET DEFLECTOR LEVER	38	532 17 01-65	BOLT SHOULDER_5-16_18_ THD_FORM
15	589 75 44-01	LEVER HYDRO DEFLECTOR			
16	589 79 61-01	BUTTON BOLT CARRIER	39	501 40 66-01	SCREW
17	589 79 62-01	PAD FRICTION	40	585 80 50-01	SWITCH HEATED GRIP BLACK
18	589 79 63-01	KNOB DEFLECTOR	41	596 51 55-01	HOUR METER
19	589 79 64-01	KNOB HYDRO	42	591 06 65-01	SWITCH - 3 POSITION ROTARY
20	589 80 05-01	SPRING HYDRO	43	594 72 18-01	IGNITION SWITCH - 3 POSITION
21	596 91 84-01	SPRING DEFLECTOR	44	597 42 57-01	1/4 LOCK WASHER
22	593 07 51-01	SPRING ROTATOR	45	589 62 68-03	CONSOLE SIDE LHS GREY
23	597 36 74-01	WASHER .406 ID 1.00 OD X .109 THK	46	597 48 92-02	CHUTE DEFLECTOR SUP PORT BRACE
24	532 41 76-93	1/4-20 CLIP ON NUT			
25	590 79 17-01	PIN CLEVIS .375 X 1.25			
26	532 42 33-03	SPRING HAIRPIN			

NOTE: All component dimensions given in U.S. inches. 1 inch = 25.4 mm
IMPORTANT: Use only Original Equipment Manufacturer (O.E.M.) replacement parts.
 Failure to do so could be hazardous, damage your snow thrower and void your warranty.

REPAIR PARTS

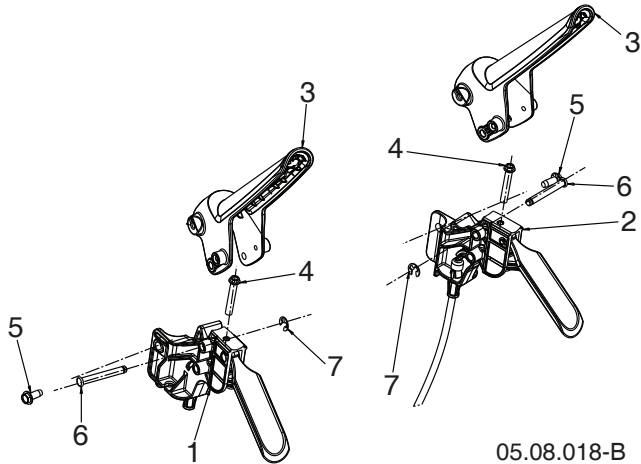
CONTROL PANEL / DISCHARGE CHUTE

SNOW THROWER - MODEL NO. ST 430 (96193010400), PRODUCT NO. 961 93 01-04



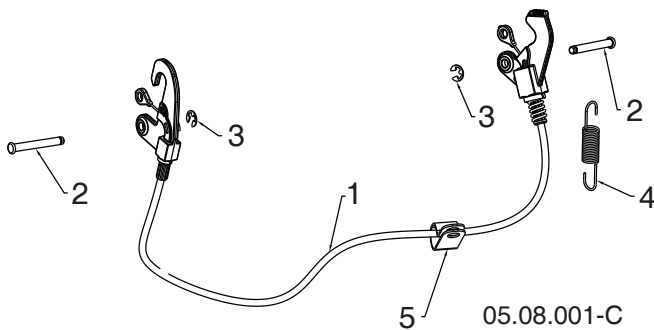
05.11.009-B

KEY NO.	PART NO.	DESCRIPTION
1	532 42 11-38	SHIELD DEFLECTOR
2	532 43 58-31	STRAP
3	586 11 80-01	SCREW MACHINE 8-32 X .50 - BLK
4	586 11 81-01	NUT HEX NYLOCK 8-32 - BLK



05.08.018-B

KEY NO.	PART NO.	DESCRIPTION
1	589 28 95-03	CABLE, POWER STEER - LHS
2	589 28 95-04	CABLE, POWER STEER - RHS
3	589 80 38-01	LEVER, CONTROL
4	581 32 95-01	SCREW HI-LO 13-16 X 1.50
5	817 06 04-10	SCREW 1/4-20 X .625
6	532 43 17-62	PIN, GROOVED
7	812 00 00-14	E-RING



05.08.001-C

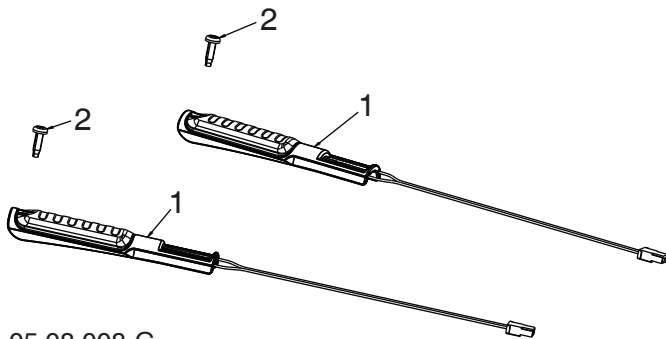
KEY NO.	PART NO.	DESCRIPTION
1	593 85 34-01	CABLE INTERLOCK
2	532 43 17-62	PIN GROOVED
3	812 00 00-14	E-RING
4	581 15 12-01	SPRING RETURN
5	532 19 79-91	CLIP CABLE BLACK

NOTE: All component dimensions given in U.S. inches. 1 inch = 25.4 mm
IMPORTANT: Use only Original Equipment Manufacturer (O.E.M.) replacement parts.
 Failure to do so could be hazardous, damage your snow thrower and void your warranty.

REPAIR PARTS

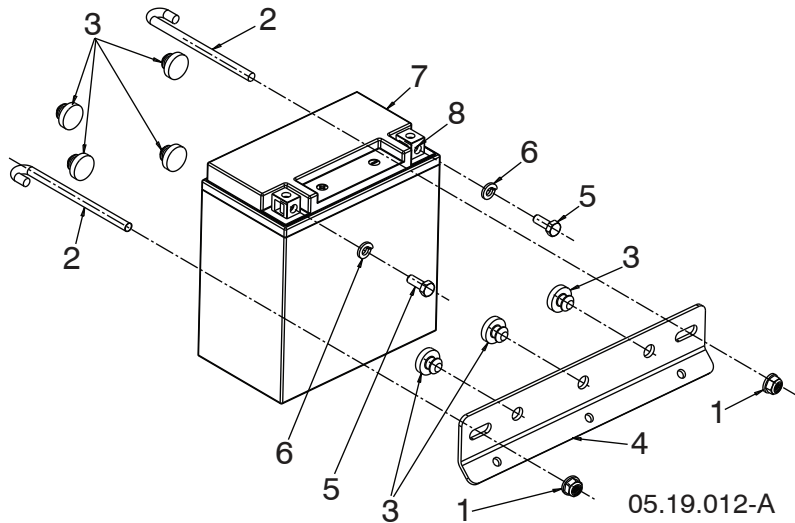
CONTROL PANEL / DISCHARGE CHUTE

SNOW THROWER - MODEL NO. **ST 430** (96193010400), PRODUCT NO. 961 93 01-04



KEY NO.	PART NO.	DESCRIPTION
1	590 49 36-01	GRIP, HEATED, DSST SHO
2	532 44 22-50	SCREW PAN HD TORX 1/4-20 X .75

05.08.008-G



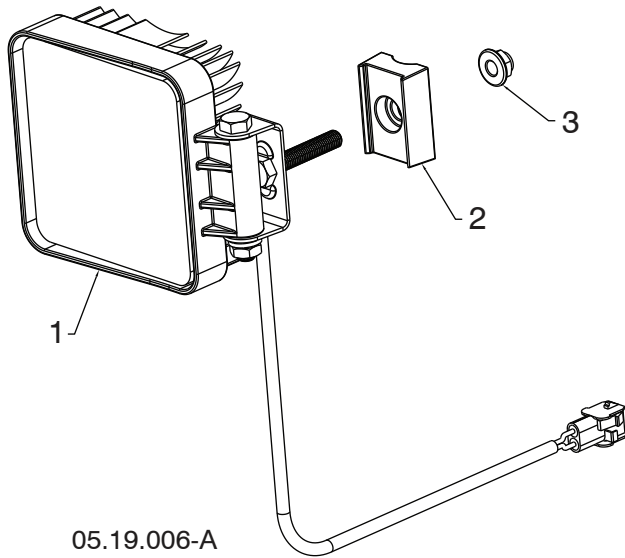
KEY NO.	PART NO.	DESCRIPTION
1	582 47 86-02	NUT - 1/4-20 FLANGE LOCKING
2	588 83 94-01	J-HOOK
3	585 98 93-01	BUMPER - RUBBER
4	590 94 29-02	BATTERY STRAP
5	532 43 80-39	SCREW M6X1 X 16L
6	596 02 98-01	LOCK WASHER - 1/4
7	532 43 71-57	BATTERY AGM 12V 230CCA
8	594 08 65-01	SQUARE NUT - M6X1

NOTE: All component dimensions given in U.S. inches. 1 inch = 25.4 mm
IMPORTANT: Use only Original Equipment Manufacturer (O.E.M.) replacement parts.
 Failure to do so could be hazardous, damage your snow thrower and void your warranty.

REPAIR PARTS

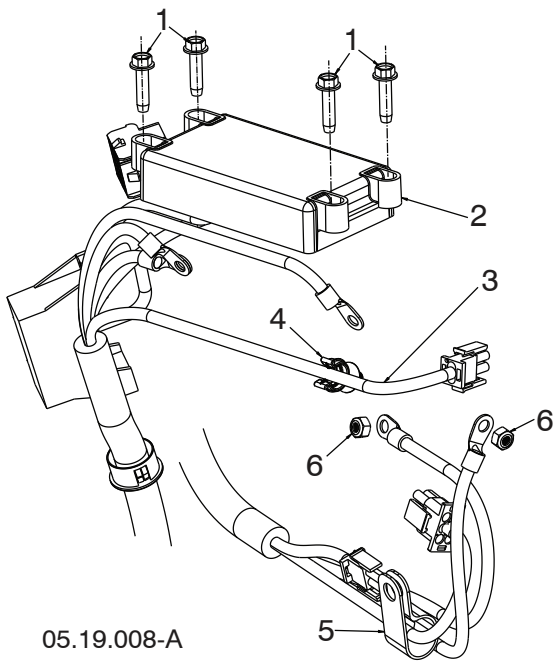
CONTROL PANEL / DISCHARGE CHUTE

SNOW THROWER - MODEL NO. ST 430 (96193010400), PRODUCT NO. 961 93 01-04



05.19.006-A

KEY NO.	PART NO.	DESCRIPTION
1	590 07 13-01	4.25 X 4.25 LIGHT
2	590 43 98-01	LIGHT MOUNTING BRACKET
3	532 42 79-42	HEX HD 5/16-18 FLANGE NYLOCK



05.19.008-A

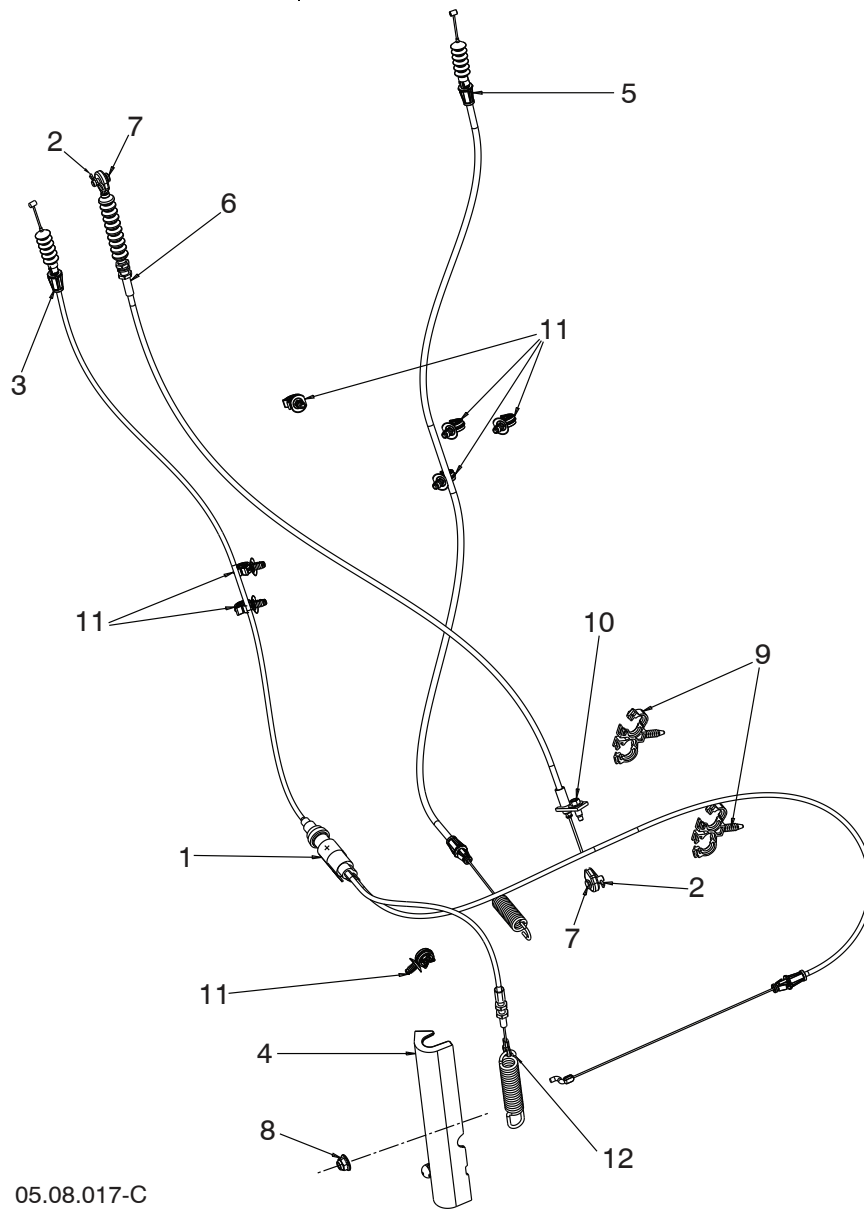
KEY NO.	PART NO.	DESCRIPTION
1	585 69 11-01	SCREW 1/4-20 X 1.0
2	593 08 46-01	ENGINE CONTROL UNIT - E-GOV
3	593 20 68-01	HARNESS - LOWER E-GOV
4	595 27 17-01	CLIP, CORRUGATED TUBE
5	532 19 79-91	P CLIP
6	597 43 41-01	M6 X 1.0 NYLOC NUT

NOTE: All component dimensions given in U.S. inches. 1 inch = 25.4 mm
IMPORTANT: Use only Original Equipment Manufacturer (O.E.M.) replacement parts. Failure to do so could be hazardous, damage your snow thrower and void your warranty.

REPAIR PARTS

CONTROL PANEL / DISCHARGE CHUTE

SNOW THROWER - MODEL NO. ST 430 (96193010400), PRODUCT NO. 961 93 01-04



05.08.017-C

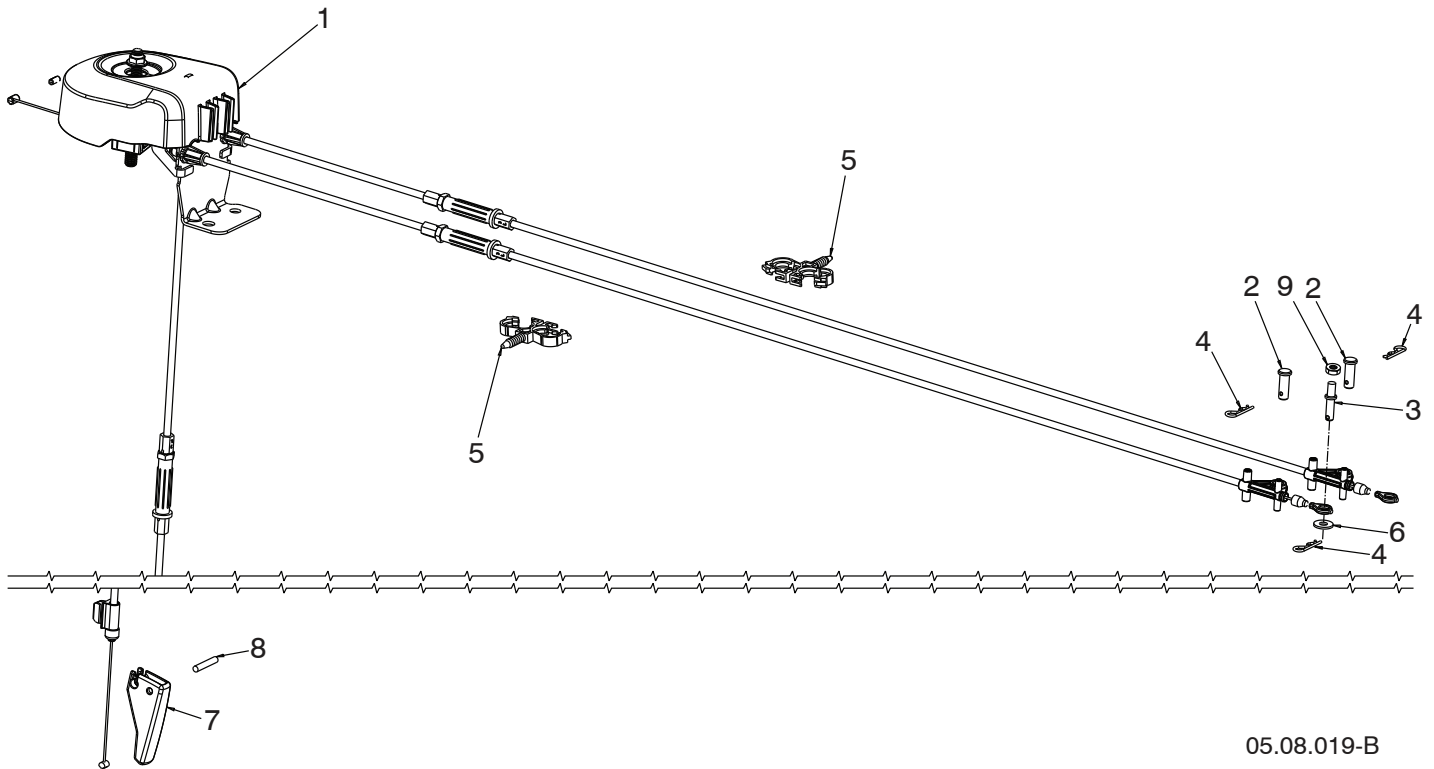
KEY NO.	PART NO.	DESCRIPTION	KEY NO.	PART NO.	DESCRIPTION
1	532 19 79-91	CLIP	8	532 42 79-42	NUT
2	532 42 33-03	HAIRPIN	9	584 65 22-01	CLIP, DUAL
3	579 76 36-01	CABLE - IMPELLER	10	585 51 78-01	SCREW - 1/4-20 x .65
4	589 26 52-01	COVER - CABLE	11	592 85 74-01	CLIP, CABLE
5	589 28 98-01	CABLE - HYDRO DRIVE	12	594 71 65-01	AUGER CABLE SPRING
6	590 02 66-01	CABLE - HYDRO SPEED			
7	590 80 09-01	PIN - CLEVIS			

NOTE: All component dimensions given in U.S. inches. 1 inch = 25.4 mm
IMPORTANT: Use only Original Equipment Manufacturer (O.E.M.) replacement parts.
 Failure to do so could be hazardous, damage your snow thrower and void your warranty.

REPAIR PARTS

CONTROL PANEL / DISCHARGE CHUTE

SNOW THROWER - MODEL NO. ST 430 (96193010400), PRODUCT NO. 961 93 01-04



05.08.019-B

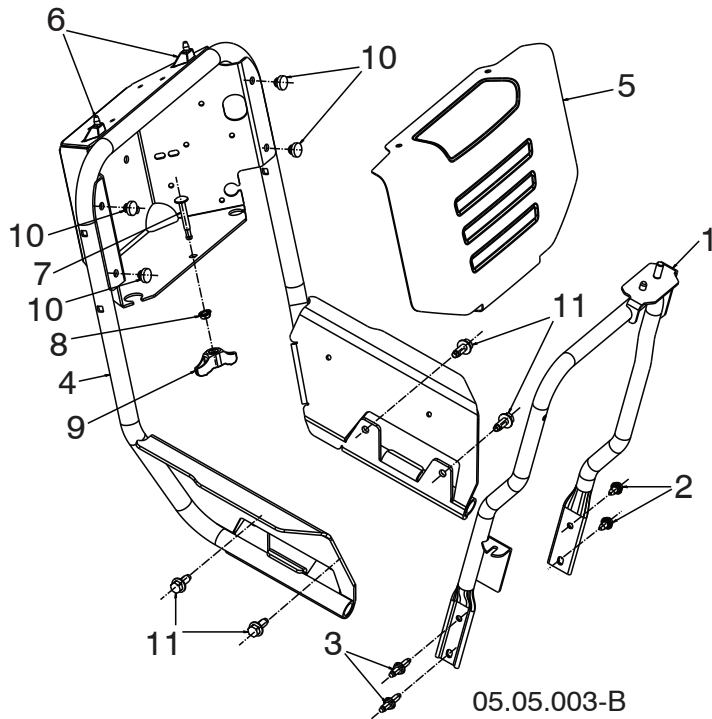
KEY NO.	PART NO.	DESCRIPTION
1	591 08 68-01	CABLE CHUTE ROTATOR ASM - LOCKING
2	581 32 94-01	PIN CLEVIS 5/16 X 7/8
3	596 71 72-01	PIN CLEVIS 1/4 X 3/4
4	532 42 33-03	HAIRPIN SOFT ZINC
5	584 65 22-01	CLIP CONDUIT DOUBLE
6	586 68 21-01	WASHER
7	589 79 60-01	ROTATOR LOCK LEVER
8	532 18 42-05	3/16 X 1.0 ROLL PIN
9	595 08 66-01	NUT 1/4-20 HEX NYLOC

NOTE: All component dimensions given in U.S. inches. 1 inch = 25.4 mm
IMPORTANT: Use only Original Equipment Manufacturer (O.E.M.) replacement parts.
 Failure to do so could be hazardous, damage your snow thrower and void your warranty.

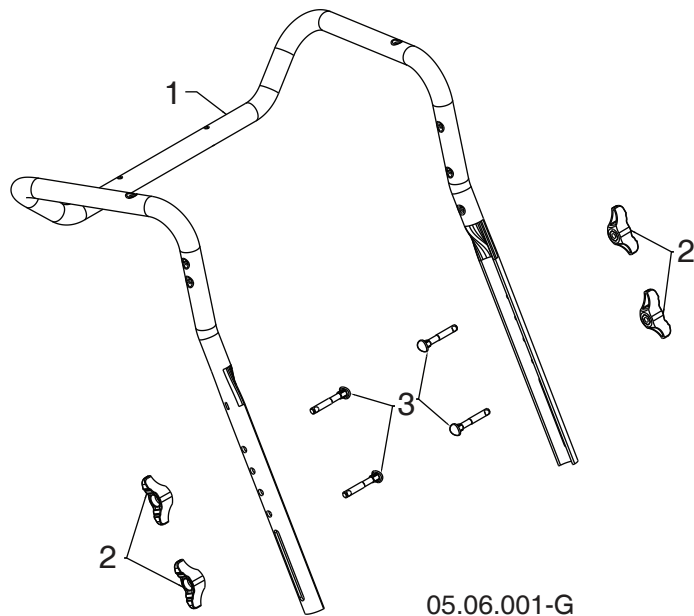
REPAIR PARTS

HANDLES

SNOW THROWER - MODEL NO. ST 430 (96193010400), PRODUCT NO. 961 93 01-04

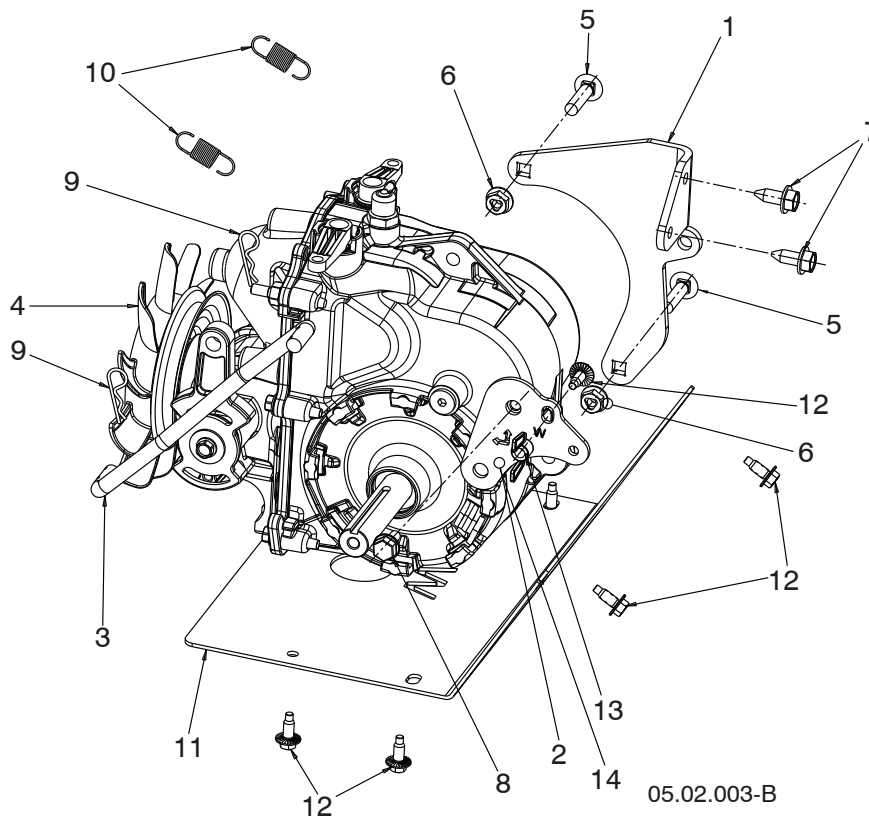


KEY NO.	PART NO.	DESCRIPTION
1	589 26 45-02	SUPPORT
2	817 00 05-10	BOLT 5/16-18 x .625
3	582 91 79-01	STUD - 5/16-18
4	589 87 57-02	HANDLE - LOWER
5	590 94 28-02	COVER - BATTERY
6	595 02 62-01	STUD - BATTERY COVER
7	501 06 71-01	CARRIAGE BOLT 5/16-18
8	532 15 53-77	NUT - 5/16-18
9	594 94 06-01	KNOB
10	585 98 93-01	BUMPER
11	595 51 79-01	SCREW - 3/8-16 MATHREAD



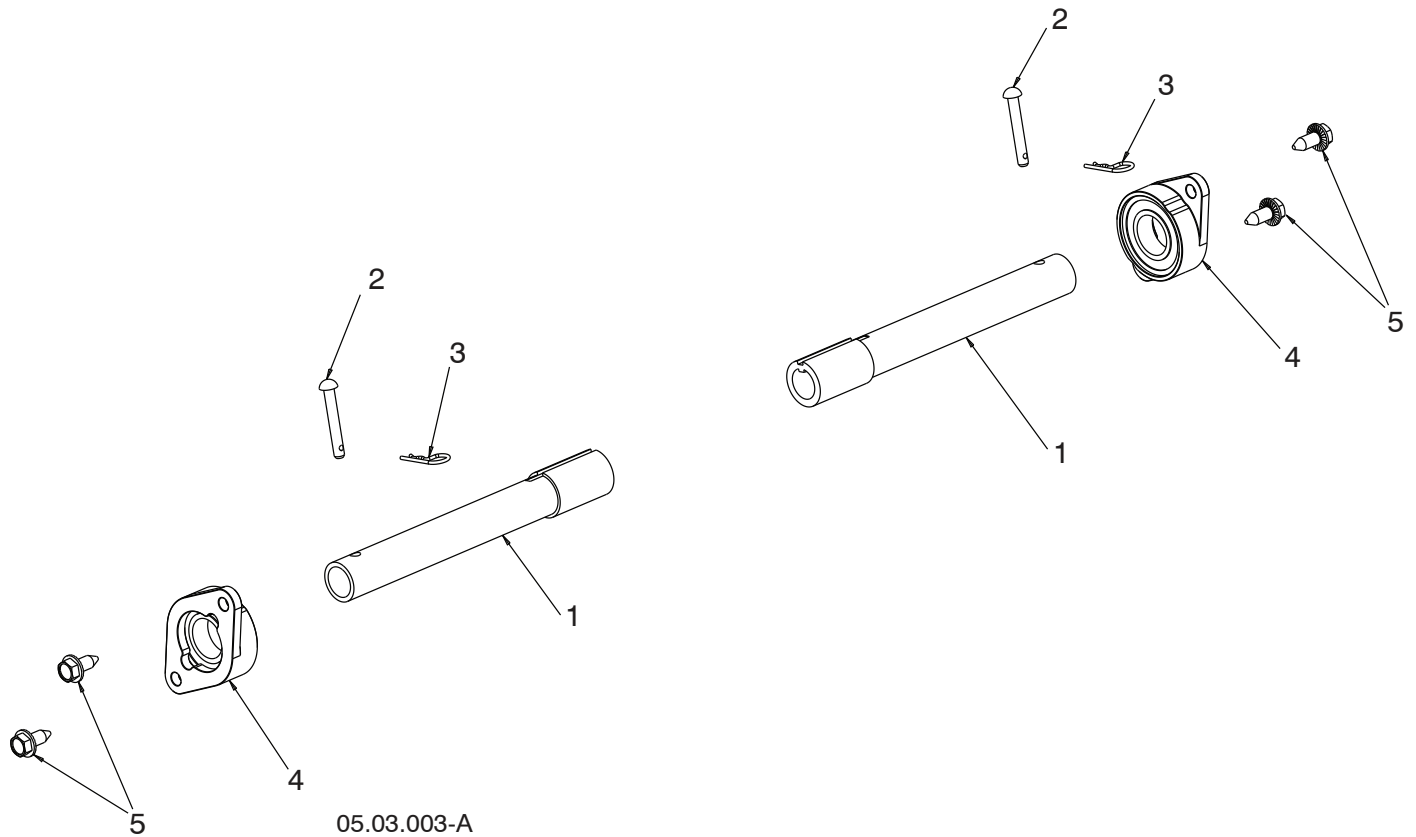
KEY NO.	PART NO.	DESCRIPTION
1	588 16 08-03	UPPER HANDLE
2	532 19 19-38	HANDLE KNOB STD BLACK
3	588 05 99-01	SCREW 5/16-18 X 2.25 CONCAVE HEAD WITH PATCH

NOTE: All component dimensions given in U.S. inches. 1 inch = 25.4 mm
IMPORTANT: Use only Original Equipment Manufacturer (O.E.M.) replacement parts.
 Failure to do so could be hazardous, damage your snow thrower and void your warranty.



KEY NO.	PART NO.	DESCRIPTION
1	589 28 88-01	TRANSMISSION MOUNT
2	589 28 91-02	SPEED BELCRANK
3	589 28 93-01	SPEED ROD
4	589 28 87-01	TRANSMISSION
5	872 11 05-10	5/16-18 HHCS
6	532 75 11-53	5/16-18 LOCK NUT
7	532 42 88-67	5/16-18 BOLT
8	595 51 76-01	SHOULDER BOLT
9	532 16 96-75	HAIR PIN
10	589 26 37-01	RETURN SPRING
11	583 80 85-02	BELLY PAN WHEEL
12	585 51 78-01	1/4-20 DOG POINT SCREW
13	539 99 09-97	WINGNUT - 1/4-20 NYLOC
14	532 05 38-47	WASHER

NOTE: All component dimensions given in U.S. inches. 1 inch = 25.4 mm
IMPORTANT: Use only Original Equipment Manufacturer (O.E.M.) replacement parts.
 Failure to do so could be hazardous, damage your snow thrower and void your warranty.



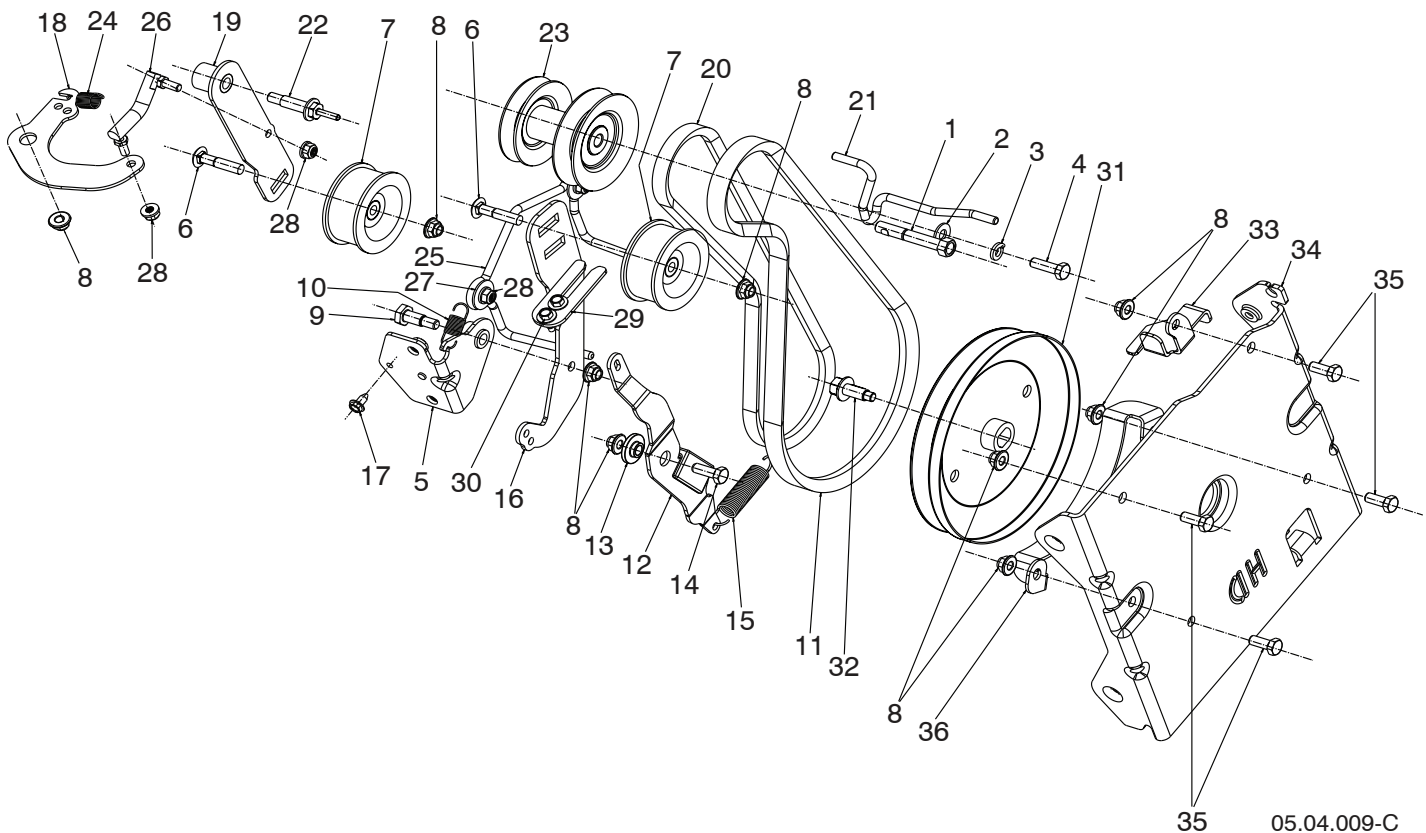
KEY NO.	PART NO.	DESCRIPTION
1	589 28 97-01	AXLE TUBE
2	532 17 12-71	AXLE PIN
3	532 12 47-88	HAIR PIN
4	590 00 06-01	CARRIER WITH BEARING
5	532 42 88-67	5/16-18 SCREW

NOTE: All component dimensions given in U.S. inches. 1 inch = 25.4 mm
IMPORTANT: Use only Original Equipment Manufacturer (O.E.M.) replacement parts. Failure to do so could be hazardous, damage your snow thrower and void your warranty.

REPAIR PARTS

CHASSIS / ENGINE / PULLEYS

SNOW THROWER - MODEL NO. ST 430 (96193010400), PRODUCT NO. 961 93 01-04



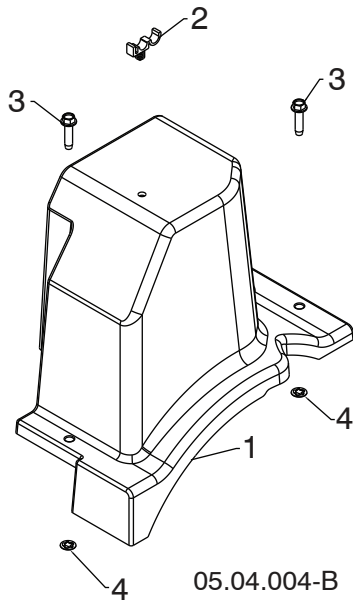
KEY NO.	PART NO.	DESCRIPTION	KEY NO.	PART NO.	DESCRIPTION
1	582 38 84-01	BOLT - 3/8-24 X 2.375	20	589 29 06-01	BELT - 4L DRIVE
2	596 20 41-01	WASHER	21	589 29 07-01	GUIDE - BELT 4L DRIVE 5L IMPELLER
3	596 23 88-01	WASHER	22	589 29 08-01	GUIDE - DRIVE BELT
4	874 61 05-16	SCREW - 5/16-24 X 1.0	23	589 26 22-02	PULLEY
5	589 26 34-02	BRACKET - WELDMENT, IDLER ARM	24	589 48 16-01	SPRING
6	589 28 45-01	BOLT - 5/16-18 X 1.50 CARRIAGE	25	589 76 07-01	GUIDE - HYDRO BELT
7	589 26 27-01	PULLEY - IDLER	26	590 72 07-01	LINK ASSY
8	532 42 79-42	FLANGE NUT - 5/16-18	27	513 91 89-00	WASHER
9	589 26 36-01	SCREW - SHOULDER 3/8	28	582 47 86-02	FLANGE LOCKNUT 1/4-20
10	589 26 37-01	SPRING - RETURN	29	592 91 78-02	GUIDE - IDLER ARM
11	589 26 26-02	BELT - 5L HD IMPELLER	30	585 51 78-01	SCREW 1/4-20 X .65 WITH DOG POINT
12	579 76 33-01	ARM	31	589 26 38-01	PULLEY - IMPELLER.DD.5L.HD
13	587 34 37-01	BUSHING	32	595 51 79-01	SCREW - FLANGE HEAD CAP WITH DOG POINT, 3/8-16
14	596 32 22-01	BOLT - 5/16-18 X .875	33	589 26 25-05	GUIDE - BELT 5L
15	579 76 35-01	SPRING - BRAKE	34	501 59 54-02	INTERFACE BRACKET
16	589 26 29-02	ARM - IDLER	35	596 03 05-01	SCREW - 5/16-18 X .75
17	817 06 04-08	SCREW 1/4-20 X .50	36	581 63 20-02	LOWER BELT KEEPER
18	589 28 99-02	BELLCRANK - DRIVE			
19	589 29 05-02	ARM - DRIVE IDLER			

NOTE: All component dimensions given in U.S. inches. 1 inch = 25.4 mm
IMPORTANT: Use only Original Equipment Manufacturer (O.E.M.) replacement parts.
 Failure to do so could be hazardous, damage your snow thrower and void your warranty.

REPAIR PARTS

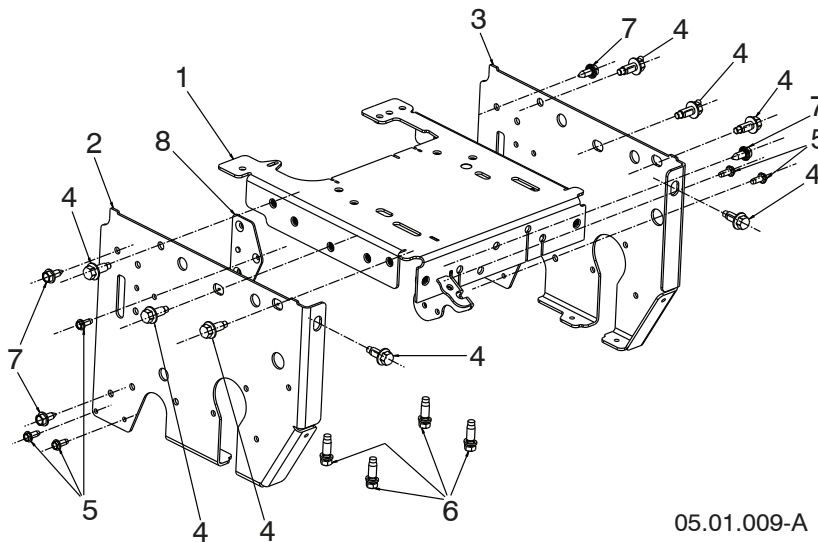
CHASSIS / ENGINE / PULLEYS

SNOW THROWER - MODEL NO. ST 430 (96193010400), PRODUCT NO. 961 93 01-04



05.04.004-B

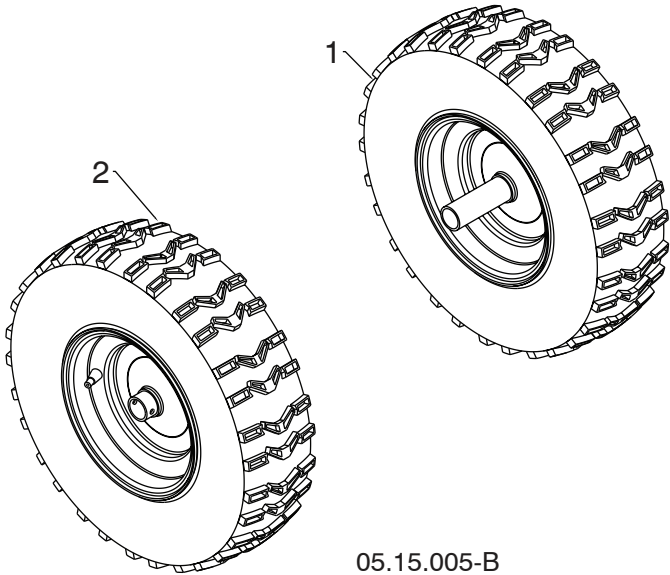
KEY NO.	PART NO.	DESCRIPTION
1	587 10 55-01	BELT COVER HI CRANK
2	532 14 50-06	CABLE GUIDE
3	-----	BOLT HEX WSH THDRL 1/4-20 X 1
4	-----	PALNUT 1/4 IN



05.01.009-A

KEY NO.	PART NO.	DESCRIPTION
1	583 80 80-02	FRAME TOP
2	583 80 84-03	FRAME SIDE LHS
3	583 80 84-04	FRAME SIDE RHS
4	595 51 79-01	SCREW 3/8-16 X .75 MATHREAD
5	817 06 04-10	SCREW 1/4-20 x .625
6	532 15 04-06	SCREW 3/8-16 x 1.28
7	532 42 88-67	SCREW 5/16-18 x .75
8	590 04 46-02	BRACKET NUT

NOTE: All component dimensions given in U.S. inches. 1 inch = 25.4 mm
IMPORTANT: Use only Original Equipment Manufacturer (O.E.M.) replacement parts.
 Failure to do so could be hazardous, damage your snow thrower and void your warranty.



KEY NO.	PART NO.	DESCRIPTION
1	532 43 57-86	WHEEL 16 X 4.80 NPS LH 1.00
2	532 43 57-88	WHEEL 16 X 4.80 NPS RH 1.00

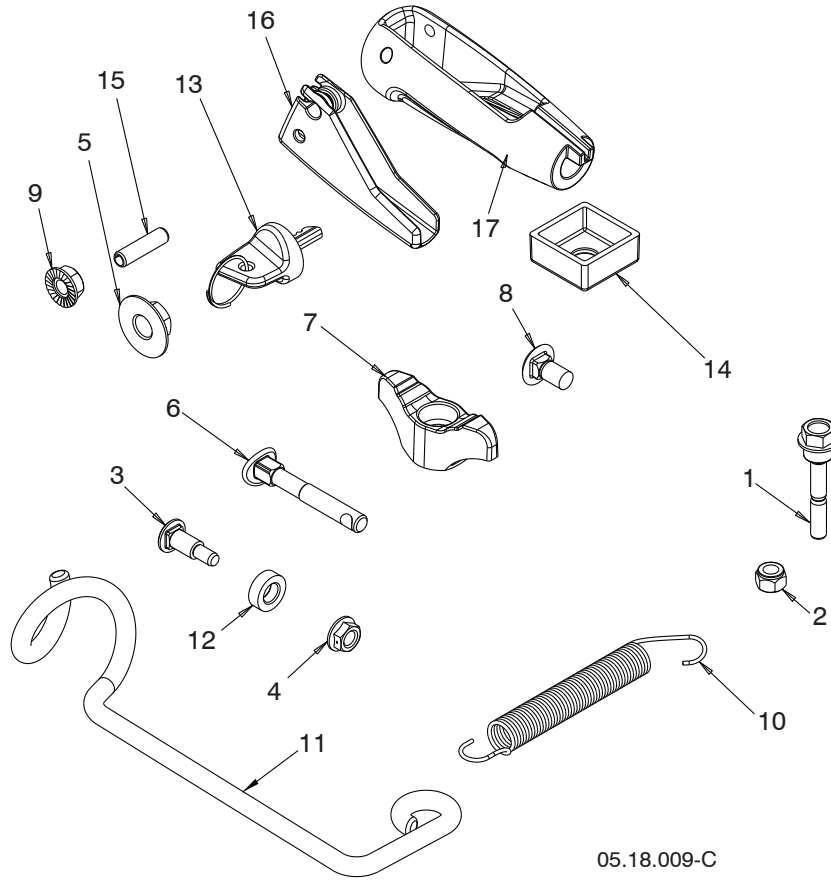
05.15.005-B

NOTE: All component dimensions given in U.S. inches. 1 inch = 25.4 mm
IMPORTANT: Use only Original Equipment Manufacturer (O.E.M.) replacement parts.
 Failure to do so could be hazardous, damage your snow thrower and void your warranty.

REPAIR PARTS

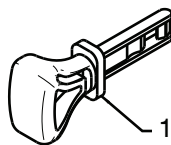
BAG OF PARTS

SNOW THROWER - MODEL NO. **ST 430** (96193010400), PRODUCT NO. 961 93 01-04



05.18.009-C

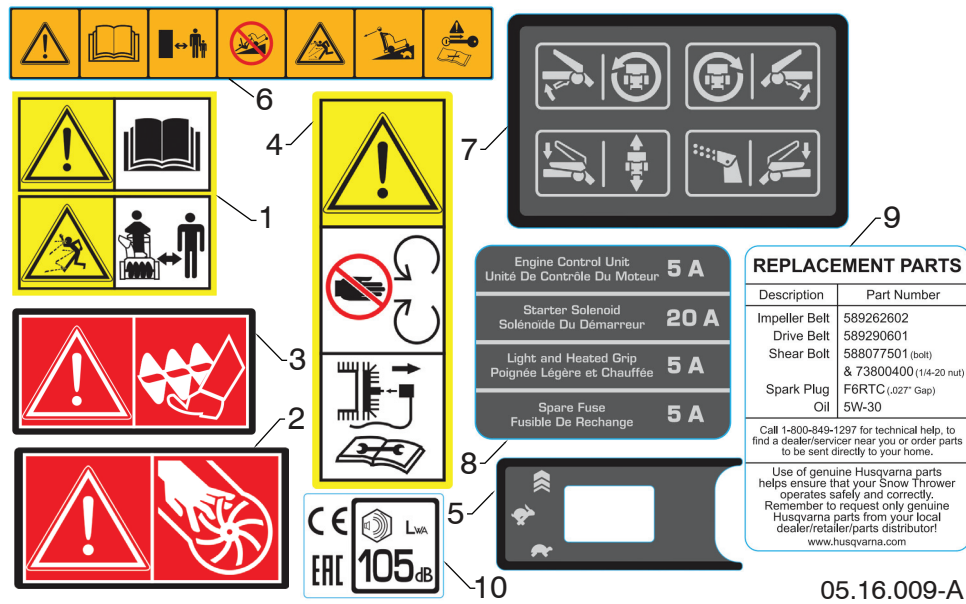
KEY NO.	PART NO.	DESCRIPTION	KEY NO.	PART NO.	DESCRIPTION
1	588 07 75-02	BOLT 1/4-20 X 1.81	12	501 41 74-01	WASHER NYLON
2	595 08 66-01	NUT NYLOCK 1/4-20	13	591 07 06-01	IGNITION KEY
3	501 41 73-01	BOLT SHOULDER	14	591 08 74-01	CHUTE RETAINER
4	585 69 14-01	NUT HEX FL 1/4-20 CTR	15	532 18 42-05	ROLL PIN
5	585 69 10-01	NUT NYLOCK 3/8-16	16	589 79 60-01	ROTATOR TRIGGER
6	588 05 99-01	BOLT 5/16-18 X 2.25 CONCAVE	17	589 80 11-01	KNOB CHUTE ROTATOR
7	532 19 19-38	KNOB 5/16-18 TWO-WING	NI	580 94 77-05	BAG PLASTIC 6.5X10.5 WARNING
8	585 83 20-01	BOLT 5/16-18 X .625	NI	581 03 01-35	LABEL, HARDWARE BAG
9	873 97 05-00	NUT SERR FL LOCK 5/16-18	NI	588 07 76-12	KIT REPLACEMENT BAG OF PARTS
10	532 18 45-05	SPRING DEFLECT CHUTE			
11	596 97 68-01	SUPPORT ROTATION CABLE			



01.14.009-B

KEY NO.	PART NO.	DESCRIPTION
1	532 44 30-59	SAFETY IGNITION KEY KIT

NOTE: All component dimensions given in U.S. inches. 1 inch = 25.4 mm
IMPORTANT: Use only Original Equipment Manufacturer (O.E.M.) replacement parts. Failure to do so could be hazardous, damage your snow thrower and void your warranty.



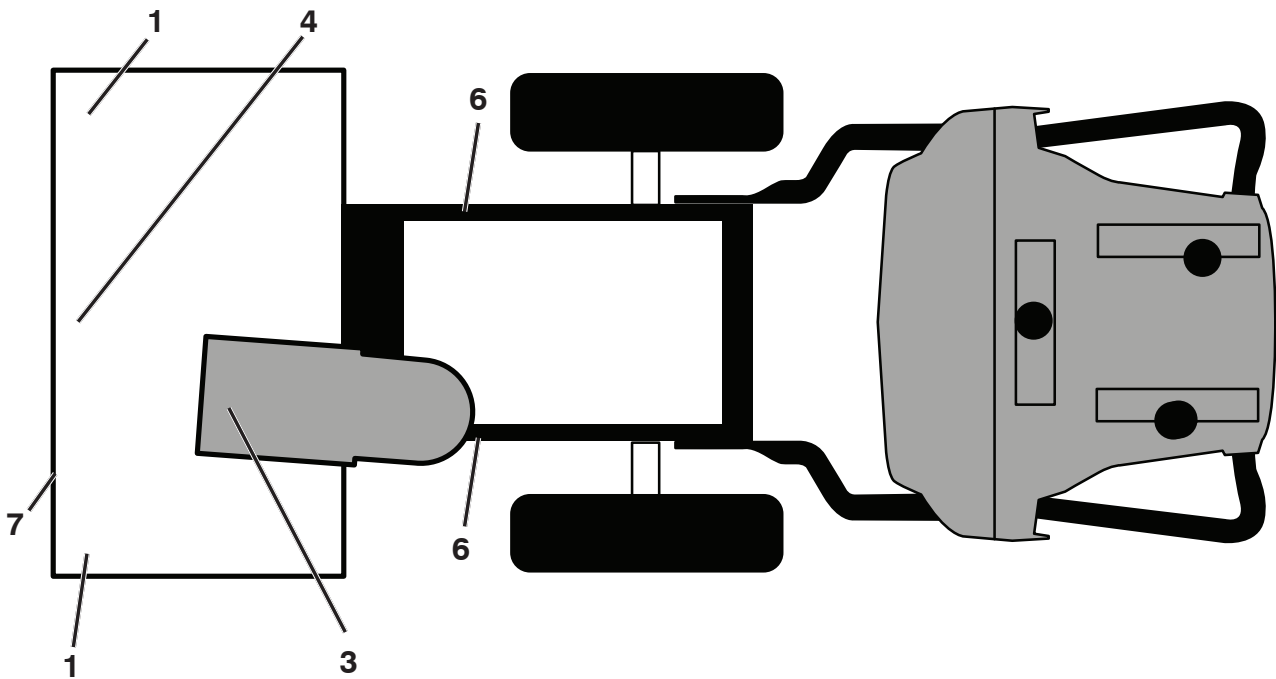
REPLACEMENT PARTS	
Description	Part Number
Impeller Belt	589262602
Drive Belt	589290601
Shear Bolt	588077501 (bolt) & 73800400 (1/4-20 nut)
Spark Plug	F6RTC (.027" Gap)
Oil	5W-30

Call 1-800-849-1297 for technical help, to find a dealer/service near you or order parts to be sent directly to your home.

Use of genuine Husqvarna parts helps ensure that your Snow Thrower operates safely and correctly. Remember to request only genuine Husqvarna parts from your local dealer/retailer/parts distributor!
www.husqvarna.com

KEY NO.	PART NO.	DESCRIPTION
1	532 18 40-45	DECAL AUGER
2	590 81 22-01	DECAL CHUTE
3	532 19 96-83	DECAL AUGER SAFETY
4	532 18 40-28	DECAL BELT GUARD
5	593 09 25-01	DECAL THROTTLE
6	593 09 26-01	DECAL CONSOLE WARNING
7	593 09 28-01	DECAL CONSOLE INSTRUCTION
8	593 14 69-01	DECAL FUSE
9	593 14 70-01	DECAL REPLACEMENT PARTS
10	588 04 98-01	DECAL NOISE LEVEL

NOTE: All component dimensions given in U.S. inches. 1 inch = 25.4 mm
IMPORTANT: Use only Original Equipment Manufacturer (O.E.M.) replacement parts. Failure to do so could be hazardous, damage your snow thrower and void your warranty.



**KEY PART
NO. NO.**

DESCRIPTION

1	532 19 96-83	DECAL, DANGER
3	590 81 22-01	DECAL, DANGER, DEFLECTOR CHUTE
4	532 18 40-45	DECAL, DANGER
6	532 18 40-28	DECAL, BELT GUIDE
7	593 09 63-01	DECAL, AUGER FRONT
--	590 69 72-01	DECAL, ENGINE REWIND (NOT SHOWN)
--	532 42 86-77	"H" EMBLEM (NOT SHOWN)
--	114 07 23-20	OPERATOR'S MANUAL, EURO
--	114 07 23-10	OPERATOR'S MANUAL, SCAN
--	114 07 23-50	OPERATOR'S MANUAL, EBLOC
--	114 07 23-40	OPERATOR'S MANUAL, BALTIC

NOTE: All component dimensions given in U.S. inches. 1 inch = 25.4 mm

IMPORTANT: Use only Original Equipment Manufacturer (O.E.M.) replacement parts. Failure to do so could be hazardous, damage your snow thrower and void your warranty.

291/306/369/414/420cc E-gov Snow Engines

9999 Options

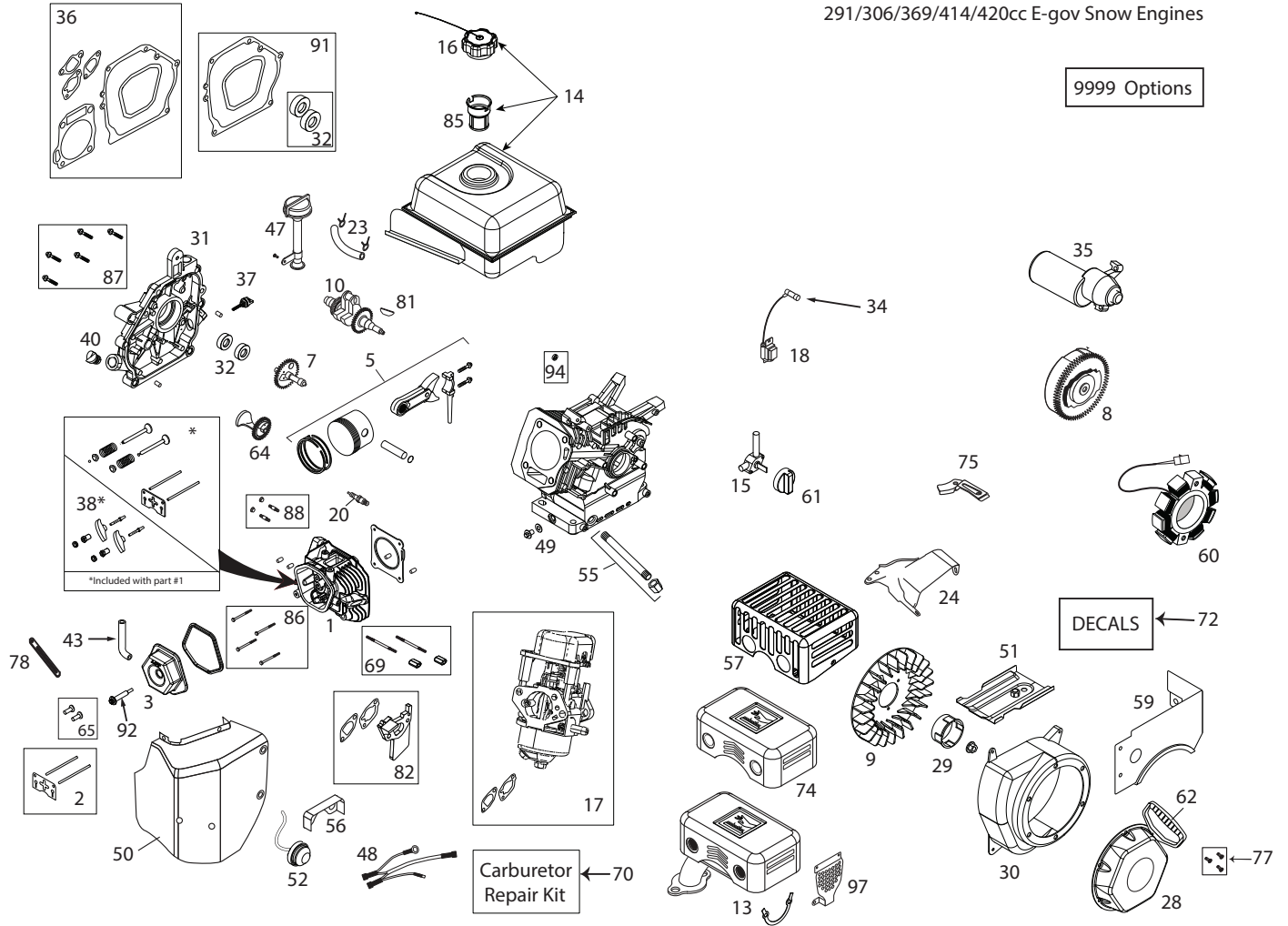


ILLUSTRATION FOR REFERENCE PURPOSES ONLY

ENGINE, LCT

COMPLETE ENGINE-592919101

KEY PART NO.	KEY PART NO.	DESCRIPTION	KEY PART NO.	KEY PART NO.	DESCRIPTION
1	532 42 96-05	CYLINDER HEAD	48	597 38 27-01	WIRE HARNESS (LONG-STEP- PER MOTOR TO ECU
2	532 42 96-06	PUSH ROD & PLATE KIT (INCL. VALVE COVER GSKT)	49	532 43 54-94	OIL DRAIN PLUG W/WASHER
3	532 42 93-03	VALVE COVER (INCL. GASKET)	50	597 41 48-01	CARBURETOR HEATER BOX (W/ LABELS)
5	532 42 93-15	PISTON AND ROD ASSEMBLY	51	532 42 92-31	SHIELD - CYLINDER
7	532 42 93-13	CAMSHAFT	52	532 42 92-18	PRIMER BULB WITH HOSE-SNOW
8	532 44 39-00	FLYWHEEL - ELECTRIC START	55	587 13 99-01	OIL DRAIN TUBE WITH CAP NUT
9	532 42 93-06	COOLING FAN - FLYWHEEL	56	532 42 92-13	CARBURETOR VAPOR SHIELD
10	587 15 13-01	CRANKSHAFT	57	532 43 74-66	CE MUFFLER GUARD
13	587 19 87-01	QUIET MUFFLER	59	582 62 17-01	FUEL TANK SKIRT
14	532 42 92-09	FUEL TANK (3.6L)	60	597 36 03-01	CHARGING COIL (75-WATT AC)
15	532 42 92-34	FUEL TANK ON/OFF VALVE	61	532 43 27-52	FUEL CONTROL KNOB
16	532 42 92-11	FUEL TANK CAP	62	532 44 38-99	STARTER GRIP
17	597 44 67-01	CARB ASSEMBLY (W-STEPPER MOTORS AND GASKETS)	64	532 42 96-08	COUNTER WEIGHT KIT
18	532 44 39-44	IGNITION COIL	65	581 37 29-01	TAPPET KIT (SET OF 2)
20	532 42 49-39	SPARK PLUG	69	586 32 67-01	CARBURETOR MTG STUD KIT (2)
23	532 43 21-46	FUEL HOSE KIT	70	580 35 37-01	CARBURETOR REPAIR KIT
24	597 41 46-01	THROTTLE CONTROL BRACKET (GUARD)	72	587 15 22-01	TWO STAGE SNOW DECAL KIT
28	582 62 15-01	RECOIL STARTER	74	587 37 53-01	MUFFLER HEAT SHIELD
29	582 62 16-01	STARTER CUP	75	532 42 92-32	SHIELD - FLYWHEEL
30	587 39 41-01	BLOWER HOUSING	77	532 43 26-88	RECOIL BOLT KIT (3 BOLTS PER KIT)
31	597 41 47-01	CYLINDER COVER ASSEMBLY	78	585 77 13-01	BREATHER TUBE RETAINING STRAP
32	532 42 93-16	OIL SEAL KIT	81	585 29 72-01	WOODRUFF FLYWHEEL KEYS
34	532 43 69-66	SPARK PLUG BOOT	82	585 02 05-01	CARBURETOR SPACER KIT
35	597 35 92-01	12V ELECTRIC STARTER	85	586 32 56-01	FUEL TANK STRAINER
36	532 42 96-09	ENGINE GASKET KIT	86	586 32 74-01	CYLINDER HEAD BOLT KIT (4)
37	532 43 55-34	SMALL BLACK OIL DIPSTICK (PLASTIC)	87	586 32 70-01	CC COVER BOLT KIT (7)
38	532 42 96-12	ROCKER ARM KIT (INCL. GASKET)	88	586 32 68-01	MUFFLER MTG STUD KIT (2)
40	532 42 92-42	NON-REMOVABLE PLASTIC PLUG	91	587 99 41-04	CRANKSHAFT GASKET KIT
43	587 17 96-01	BREATHER TUBE	92	587 99 52-01	VALVE COVER BOLT (W/ SEAL
47	532 42 92-37	HIGH OIL-FILL TUBE & CAP (NO DIPSTICK)	94	588 48 55-01	GOV SHAFT OIL SEAL
48	597 38 25-01	WIRE HARNESS (TO HAND WAR- MER, LIGHTS&CARB)	97	590 04 66-01	MUFFLER MANIFOLD SHIELD
48	597 38 26-01	WIRE HARNESS (W/ 6 PIN CONNECTOR)	9999	586 32 65-01	HIGH ALTITUDE JET (>6,000 FEET)
			9999	579 80 64-01	BOLT KIT - BLWR HGS/HEATER BOX/TANK SKIRT

