

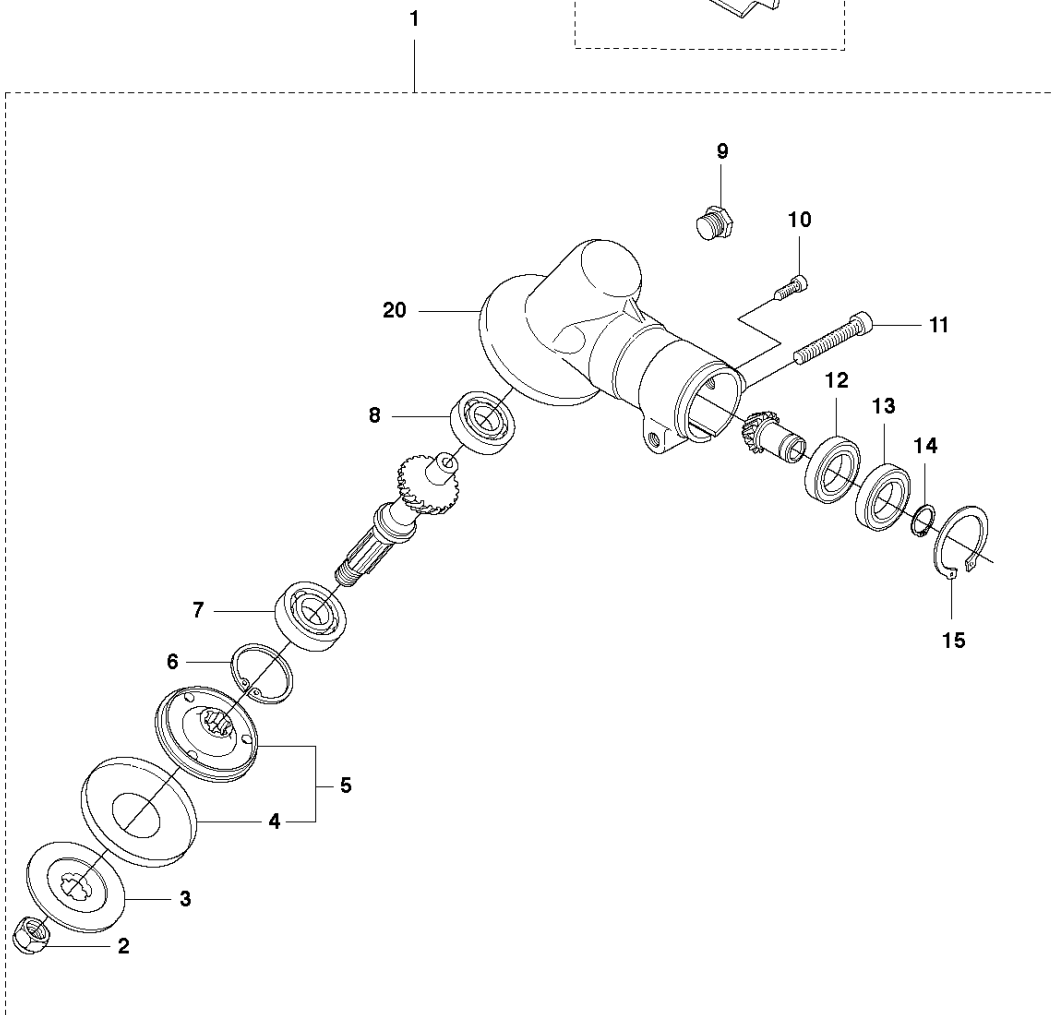
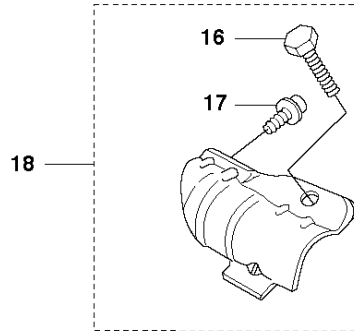


SPARE PARTS LIST

ACCESSORIES AND TOOLS

TRIMMER ATTACHMENT TA1100
(967300801)

B TA1100
BEVEL GEAR

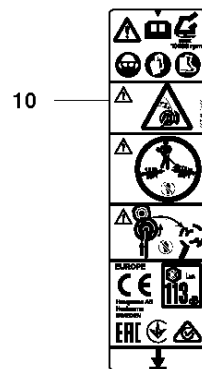
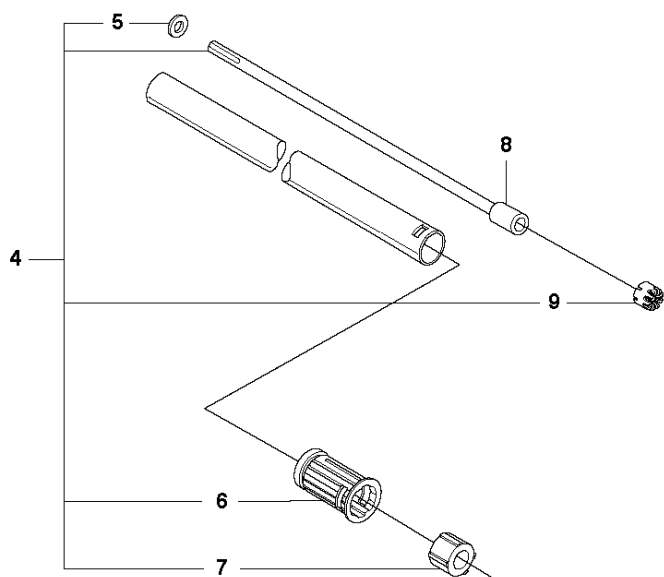
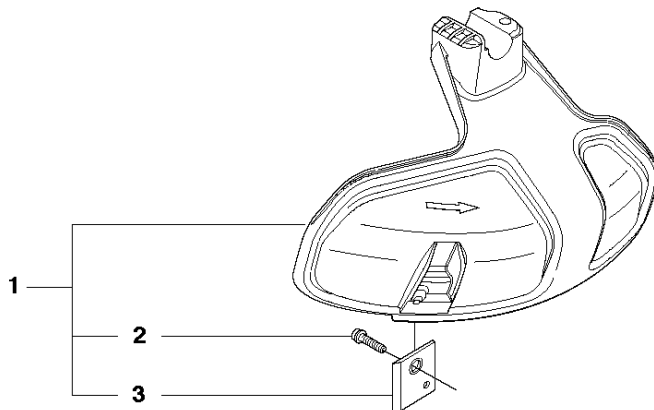


BEVEL GEAR

TRIMMER ATTACHMENT TA1100 (967300801)

Ref	Part No	Description	Remark	QTY	KIT
1	537 19 92-02	BEVEL GEAR ASSY		1	
2	503 85 63-01	NUT		1	1
3	537 28 56-01	SUPPORT FLANGE		1	1
4	537 29 26-01	CUP		1	1
5	537 23 49-01	DRIVER ASSY		1	1
6	735 31 28-10	CIRCLIP		1	1
7	503 25 24-01	BALL BEARING		1	1
8	738 21 98-00	BALL BEARING		1	1
9	503 20 15-01	SCREW IHHM		1	1
10	503 20 14-12	SCREW IHSCFMO		1	1
11	503 20 07-25	SCREW IHSCFM		1	1
12	738 21 99-00	BALL BEARING		1	1
13	738 21 99-02	BALL BEARING		1	1
14	735 31 11-00	CIRCLIP		1	1
15	735 31 25-10	CIRCLIP		1	1
16	725 23 70-51	SCREW		1	18
17	503 20 07-12	SCREW IHSCFM		1	18
18	574 30 69-01	CLAMP	Captive screws	1	
20	537 33 37-01	GEAR HOUSING		1	1

A TA1100
ATTACHMENTS



ATTACHMENTS

TRIMMER ATTACHMENT TA1100 (967300801)

Ref	Part No	Description	Remark	QTY	KIT
1	588 54 37-01	TRIMMER GUARD ASSY		1	
2	576 27 56-01	SCREW ITXSCFT		1	1
3	503 79 88-02	BLADE		1	1
4	587 97 21-04	TUBE ASSY		1	
5	735 58 08-10	LOCKWASHER		1	4
6	587 41 46-01	PLUG		1	4
7	503 78 52-02	SUPPORTING BEARING		1	4
8	587 41 17-02	DRIVE SHAFT		1	4
9	583 93 83-01	CLIP		1	4
10	589 29 51-01	LABEL		1	

Illustrated Parts List - IPL Update



Product Name(s)

TA1100

Description of change

New blade with high wear resistance.

Comments

Fully interchangeable

Introduced from

Serial number / Date	Remark
2019-01	

IPL updates

Page title	Ref. no	New part no	Name	Excl. part no.	Remark
Attachments	3	503 79 88-02	Blade	503 79 88-01	