

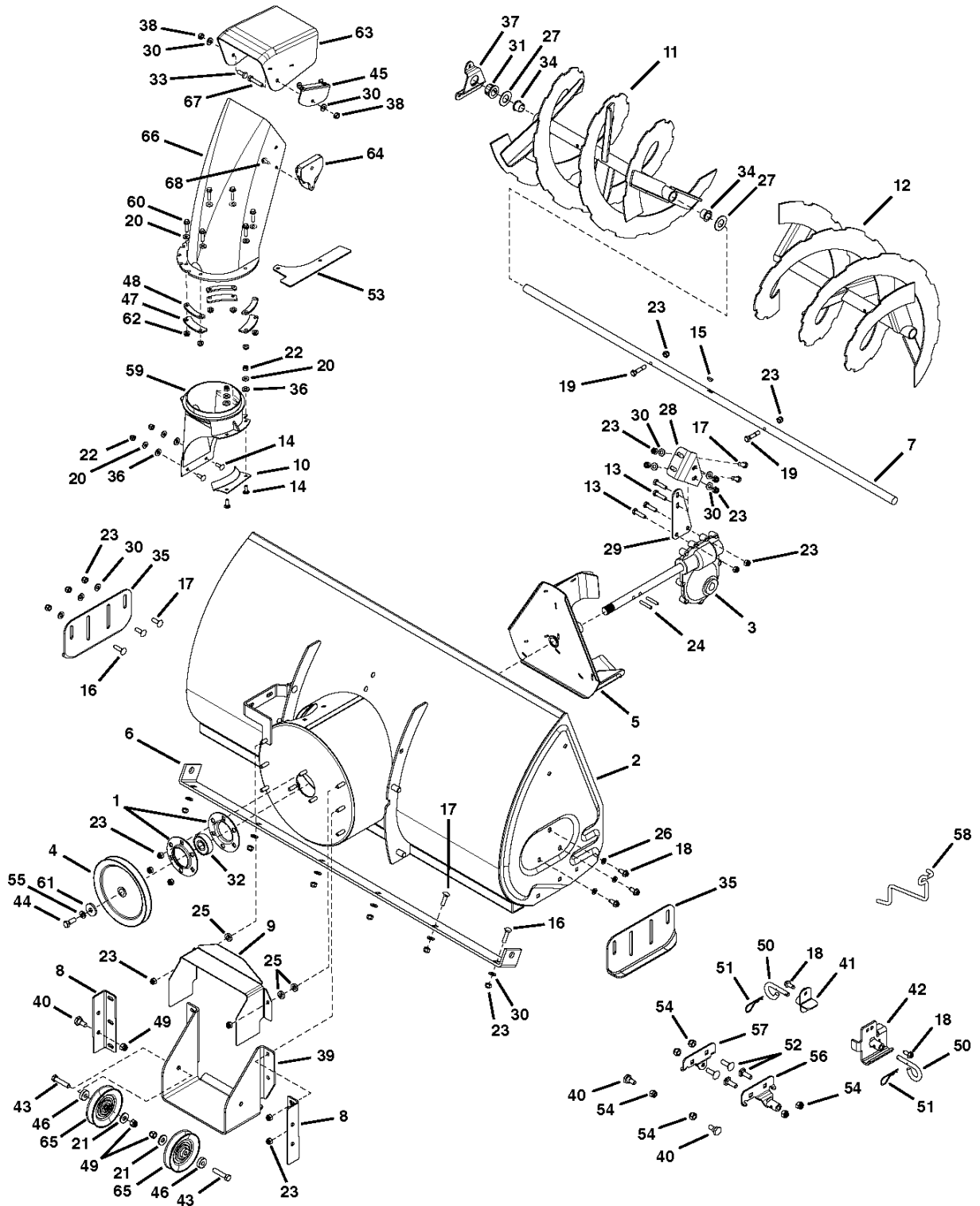


SPARE PARTS LIST

ACCESSORIES AND TOOLS

SNOW THROWER LST42F 42",
967343901, 2019-01

REPAIR PARTS FOR MODEL LST42F 42" SNOW THROWER

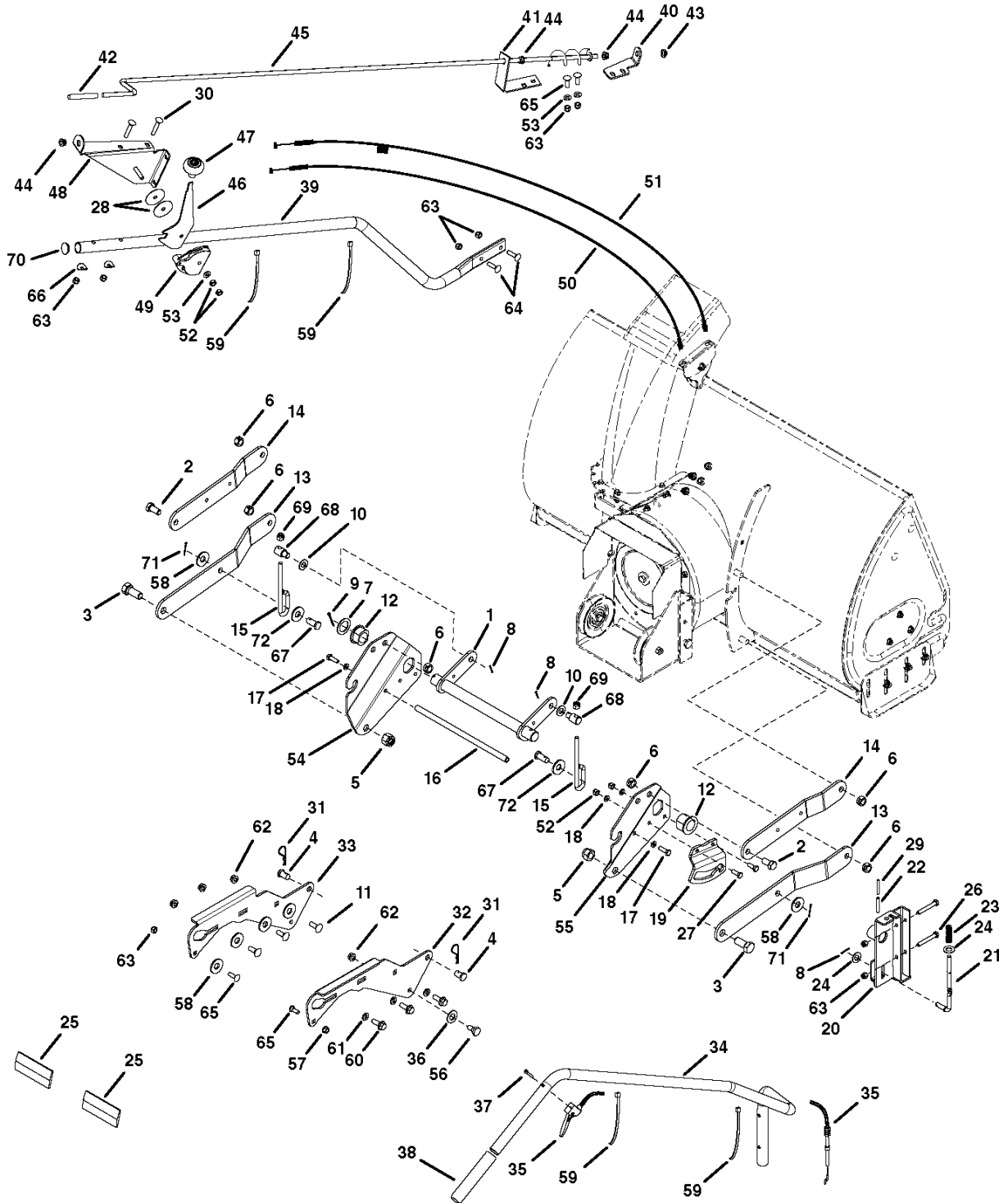


AUGER HOUSING & IMPELLER

SNOW THROWER LST42F 42", 967343901, 2019-01

Ref	Part No	Description	Remark	QTY KIT
3	501 33 55-01	GEARBOX	Gear Assembly	1
4	501 34 01-01	PULLEY	Pulley, V Type	1
6	501 33 58-01	PLATE	Scraper Plate	1
7	501 33 59-01	SHAFT	Shaft, Auger Gearbox	1
9	501 33 61-01	COVER	Cover, Belt	1
13	531 00 74-26	BOLT	Bolt, Hex 5/16-18 x 1"	4
14	531 00 76-37	BOLT	Carriage Bolt, 1/4-20 x 3/4"	4
15	501 34 06-01	KEY	#61 Woodruff Key	1
16	522 77 02-01	BOLT	Carriage Bolt, 5/16-18 x 1" Lg.	4
17	522 75 63-01	BOLT	Carriage Bolt, 5/16-18 x 3/4" Lg.	12
18	501 33 65-01	BOLT	Bolt, Self-Tap 5/16" x 3/4"	8
20	522 83 59-01	WASHER	Washer, 1/4"	10
22	531 00 81-64	NUT	Hex Nut, 1/4-20 Nylock	4
23	501 33 26-01	NUT	Hex Nut, 5/16-18 Nylock	29
26	522 75 86-01	LOCKWASHER	Lock Washer, 5/16"	6
27	531 00 27-16	WASHER	Washer, .785" x 1.57" x .057"	6
30	522 77 03-01	WASHER	Washer, 5/16" Std. Wrt."	18
31	531 00 76-55	BEARING	Bearing, Flange	2
32	597 37 62-01	BEARING	Bearing, Ball	1
33	522 75 99-01	BOLT	Hex Bolt, 5/16-18 x 3/4"	1
34	597 37 64-01	BEARING	Bearing, Split, 3/4"	4
35	501 33 75-01	SKID SHOE	Skid Shoe	2
36	501 33 76-01	WASHER	Washer, Nylon	4
37	597 37 66-01	FLANGE	Flange, Bearing	2
38	531 00 76-16	NUT	Hex Lock Nut, 1/4-20 x 20	2
40	501 33 94-01	BOLT	Bolt, Shoulder	4
41	501 33 81-01	BRACKET	Hanger Bracket Assembly, L.H.	1
42	501 33 82-01	BRACKET	Hanger Bracket Assembly, R.H.	1
44	531 00 76-25	BOLT	Hex Bolt, 3/8-24 x 1"	1
49	501 33 27-01	NUT	Hex Nut, 3/8-16 Nylock	4
50	501 33 87-01	PEN	Pin, Pivot Lock	2
51	522 75 20-01	HAIR PIN COTTER	Pin, Hair Cotter #4 (1/8")	2
52	501 33 23-01	BOLT	Carriage Bolt, 3/8-16 x 1"	4
54	501 33 89-01	NUT	Hex Lock Nut, 3/8-16 Flanged	6
55	577 15 71-01	LOCKWASHER	Lock Washer, 3/8"	1
56	501 33 91-01	BRACKET	Hanger Bracket Assembly, R.H.	1
57	501 33 92-01	BRACKET	Hanger Bracket Assembly, L.H.	1
58	501 33 93-01	BELT KEEPER	Keeper, Engine Pulley	1
60	531 00 76-26	BOLT	Hex Bolt, 1/4-20 x 1"	6
62	501 33 97-01	NUT	Hex Lock Nut, 1/4" Flanged"	6
65	501 34 00-01	PULLEY	Pulley, V Type 4"	2
67	501 33 21-01	BOLT	Hex Bolt, 5/16-18 x 1-1/2"	1

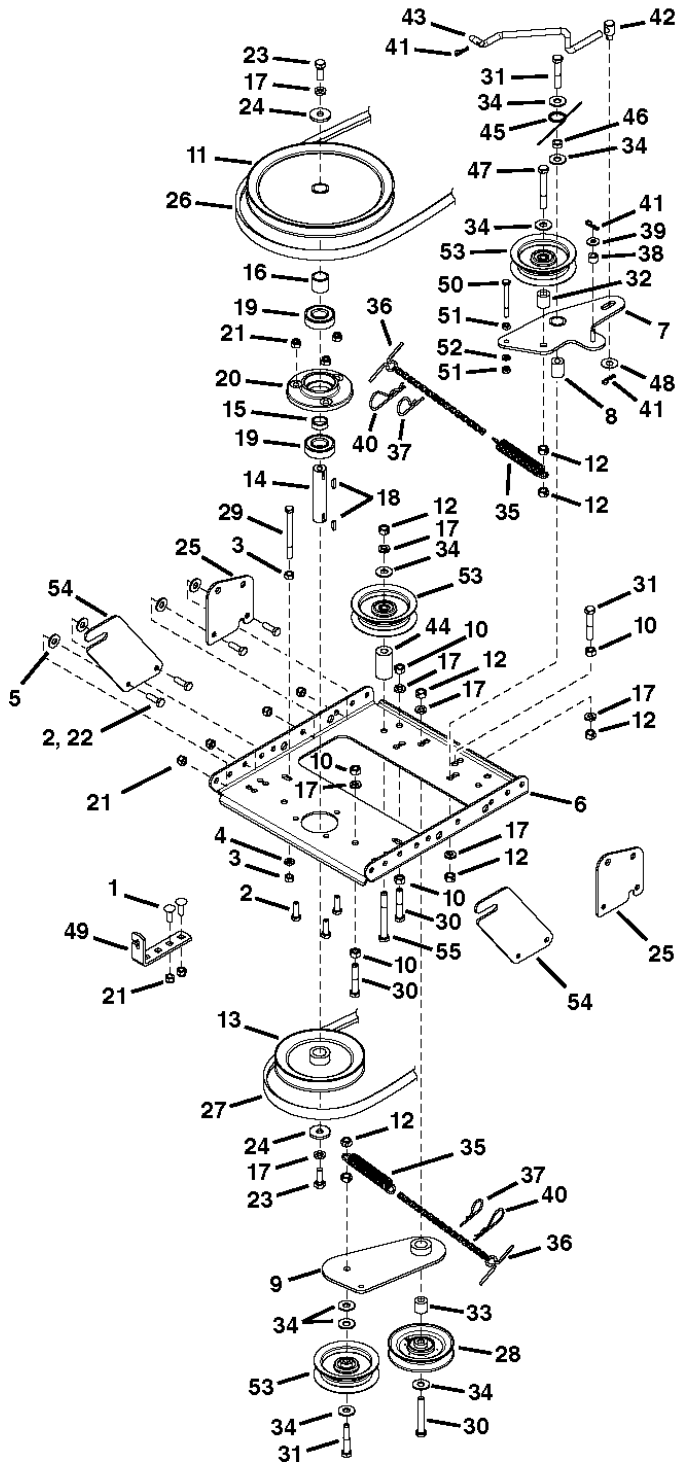
REPAIR PARTS FOR MODEL LST42F 42" SNOW THROWER



CONTROL PANEL & DISCHARGE CHUTE SNOW THROWER LST42F 42", 967343901, 2019-01

Ref	Part No	Description	Remark	QTY KIT
6	501 33 41-01	NUT	Nut, Hex Lock 1/2-13	6
7	501 34 43-01	WASHER	Washer, 1.59" x 1.032" x .060"	1
8	501 34 13-01	PEN	Pin, Cotter 1/8" x 3/4"	3
9	577 77 68-01	COTTER PIN	Pin, Cotter 1/8" x 1-1/2"	1
10	501 33 45-01	WASHER	Washer, 17/32" x 1"	2
11	501 33 23-01	BOLT	Carriage Bolt, 3/8-16 x 1"	6
16	501 34 18-01	ROD	Rod, Spacer	1
17	501 34 19-01	BOLT	Hex Bolt, 5/16-18 x 1" (Locking)"	2
18	522 75 86-01	LOCKWASHER	Lock Washer, 5/16"	4
19	501 34 20-01	BRACKET	Bracket, Lift	1
21	501 34 22-01	ROD	Rod, Index Lift	1
22	501 34 23-01	PEN	Pin, Spring 3/16" x 1-3/4"	1
24	501 34 25-01	WASHER	Washer, 13/32" x 13/16"	2
25	501 34 26-01	REFLECTOR	Reflector, Rear	2
26	531 00 28-38	SCREW	Hex Bolt, 5/16-18 x 1-3/4"	2
27	522 75 99-01	BOLT	Hex Bolt, 5/16-18 x 3/4"	2
29	501 34 28-01	SPRING	Pin, Spring 5/16" x 1-3/4"	1
30	501 34 45-01	BOLT	Carriage Bolt, 5/16-18 x 1-3/4"	2
31	522 75 20-01	HAIR PIN COTTER	Pin, Haircotter #4 (1/8")"	2
32	501 34 30-01	PLATE	Plate, Side (R.H.)	1
33	501 34 31-01	PLATE	Plate, Side (L.H.)	1
35	501 34 33-01	CABLE	Trigger and Lift Cable Assembly	1
38	531 00 27-35	HANDLE	Grip, Handle	1
40	501 33 78-01	BRACKET	Bracket, Chute Crank	1
42	522 83 60-01	GRIP	Grip	1
43	531 00 28-40	NUT	Palnut, 3/8"	1
52	531 00 76-16	NUT	Nut, Hex Lock 5/16-18	4
53	522 77 03-01	WASHER	Washer, 5/16"	3
54	501 34 41-01	PLATE	Plate, Mounting (L.H.)	1
55	501 34 42-01	PLATE	Plate, Mounting (R.H.)	1
56	501 33 94-01	BOLT	Bolt, Shoulder	2
57	531 00 81-09	NUT	Nut, Whizlock, 5/16-18	1
58	501 33 20-01	WASHER	Washer, 1/2"	10
59	501 33 14-01	TIE WRAP	Tie, Nylon	4
60	501 33 22-01	BOLT	Hex Bolt, 3/8-16 x 1" Self Tap"	6
61	577 15 71-01	LOCKWASHER	Lock Washer, 3/8"	6
62	501 33 89-01	NUT	Nut, Flanged Lock 3/8-16	8
63	501 33 26-01	NUT	Nut, Nylock Hex 5/16-18	10
64	501 34 46-01	BOLT	Carriage Bolt, 5/16-18 x 1-1/4"	2
65	522 77 02-01	BOLT	Carriage Bolt, 5/16-18 x 1"	4
66	531 00 28-16	WASHER	Washer, Bowed	2
69	501 33 27-01	NUT	Nut, Nylock Hex 3/8-16	2
71	576 84 55-01	COTTER PIN	Pin, Cotter 1/8" x 1-1/4"	2

REPAIR PARTS FOR MODEL LST42F 42" SNOW THROWER



DRIVE

SNOW THROWER LST42F 42", 967343901, 2019-01

Ref	Part No	Description	Remark	QTY KIT
1	522 75 63-01	BOLT	Carriage Bolt, 5/16-18 x 3/4"	2
2	531 00 74-26	BOLT	Hex Bolt, 5/16-18 x 1"	7
3	522 75 87-01	NUT	Hex Nut, 5/16-18	2
4	522 75 86-01	LOCKWASHER	Lock Washer, 5/16"	1
5	522 77 03-01	WASHER	Washer, 5/16" Std. Wrt."	20
7	501 34 48-01	IDLER ARM	Idler Arm Assembly	1
8	501 34 49-01	SPACER	Spacer, Pivot	1
9	501 34 50-01	IDLER BRACKET	Idler Bracket Assembly	1
10	531 00 46-64	NUT	Hex Nut, 3/8-16	5
11	501 34 51-01	PULLEY	Pulley, V Type 9"	1
12	501 34 52-01	NUT	Nut, Hex Lock, 3/8-16	8
13	584 24 53-01	PULLEY	Pulley, V Type 5-1/2"	1
14	597 37 69-01	SHAFT	Shaft	1
17	577 15 71-01	LOCKWASHER	Lock Washer, 3/8"	8
18	597 37 68-01	KEY	Key	2
19	597 37 63-01	BEARING	Bearing, Ball	2
20	597 37 67-01	HOUSING	Housing, Bearing	1
21	501 33 26-01	NUT	Hex Nut, 5/16-18 Nylock	13
22	522 75 99-01	BOLT	Hex Bolt, 5/16-18 x 3/4"	4
23	531 00 76-25	BOLT	Hex Bolt, 3/8-24 x 1"	2
26	501 34 61-01	BELT	Belt, V Type Drive (55")	1
26	501 34 62-01	BELT	Belt, V Type Drive (56")	1
27	597 37 65-01	BELT	Belt, V Type Auger	1
28	501 34 00-01	PULLEY	Pulley, V Type 4"	1
29	501 34 64-01	BOLT	Hex Bolt, 5/16-18 x 3-1/2"	1
30	531 00 81-14	SCREW	Hex Bolt, 3/8-16 x 2-1/2"	3
31	531 00 27-32	BOLT	Hex Bolt, 3/8-16 x 2"	3
32	501 34 65-01	SPACER	Spacer	1
33	501 34 66-01	SPACER	Spacer, Pivot	1
35	501 34 67-01	SPRING	Spring	2
36	501 34 68-01	CHAIN	Chain	2
37	522 75 57-01	HAIR PIN COTTER	Pin, Hair Cotter, 3/32"	2
38	501 34 69-01	SPACER	Spacer	1
39	522 83 59-01	WASHER	Washer, 1/4"	1
40	522 75 20-01	HAIR PIN COTTER	Pin, Hair Cotter #4 (1/8")	2
41	522 83 58-01	HAIR PIN COTTER	Pin, Hair Cotter 5/64"	2
43	501 34 72-01	ROD	Rod, Engagement	1
44	501 34 82-01	SPACER	Spacer	1
45	501 34 74-01	SPRING	Spring, Torsion	1
46	531 00 46-40	BUSHING	Spacer	1
47	501 34 75-01	BOLT	Hex Bolt, 3/8-16 x 2-3/4" Lg."	1
48	501 34 76-01	WASHER	Washer, Flat 3/8"	1
49	501 34 77-01	BRACKET	Cable Bracket	1
50	501 34 78-01	BOLT	Hex Bolt, 1/4-20 x 2-1/2"	1
52	577 16 18-01	LOCKWASHER	Lock Washer, 1/4"	1
53	501 34 79-01	PULLEY	Pulley, Flat 3-5/8"	3
54	501 34 80-01	BRACKET	Rear Pulley Frame Bracket	2
55	501 34 81-01	BOLT	Hex Bolt, 3/8-16 x 3-1/4"	1