



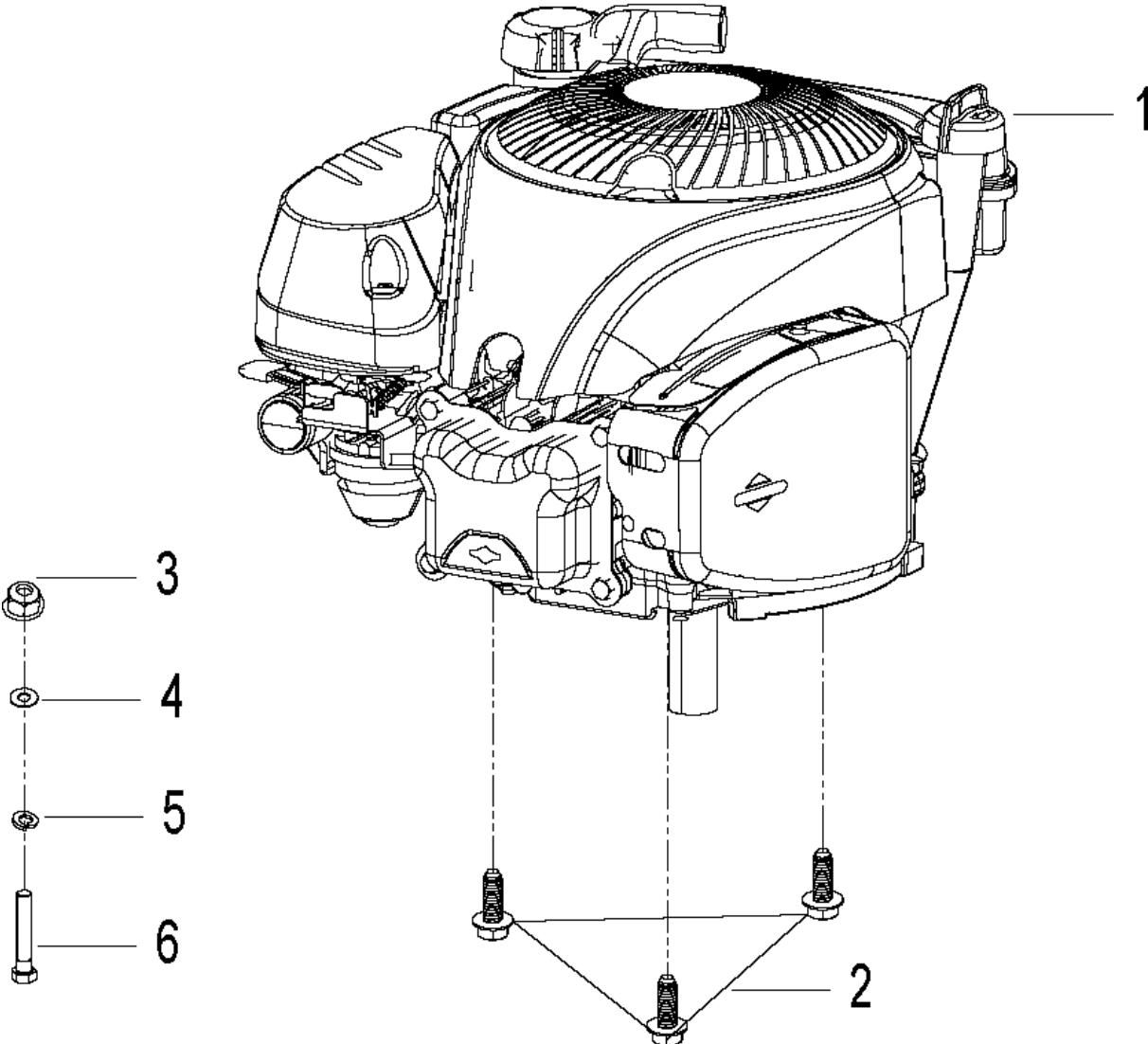
# SPARE PARTS LIST

LAWN MOWERS: CONSUMER  
WALK-BEHINDS

LC 419, 2019-04

# A

## LC419 ENGINE



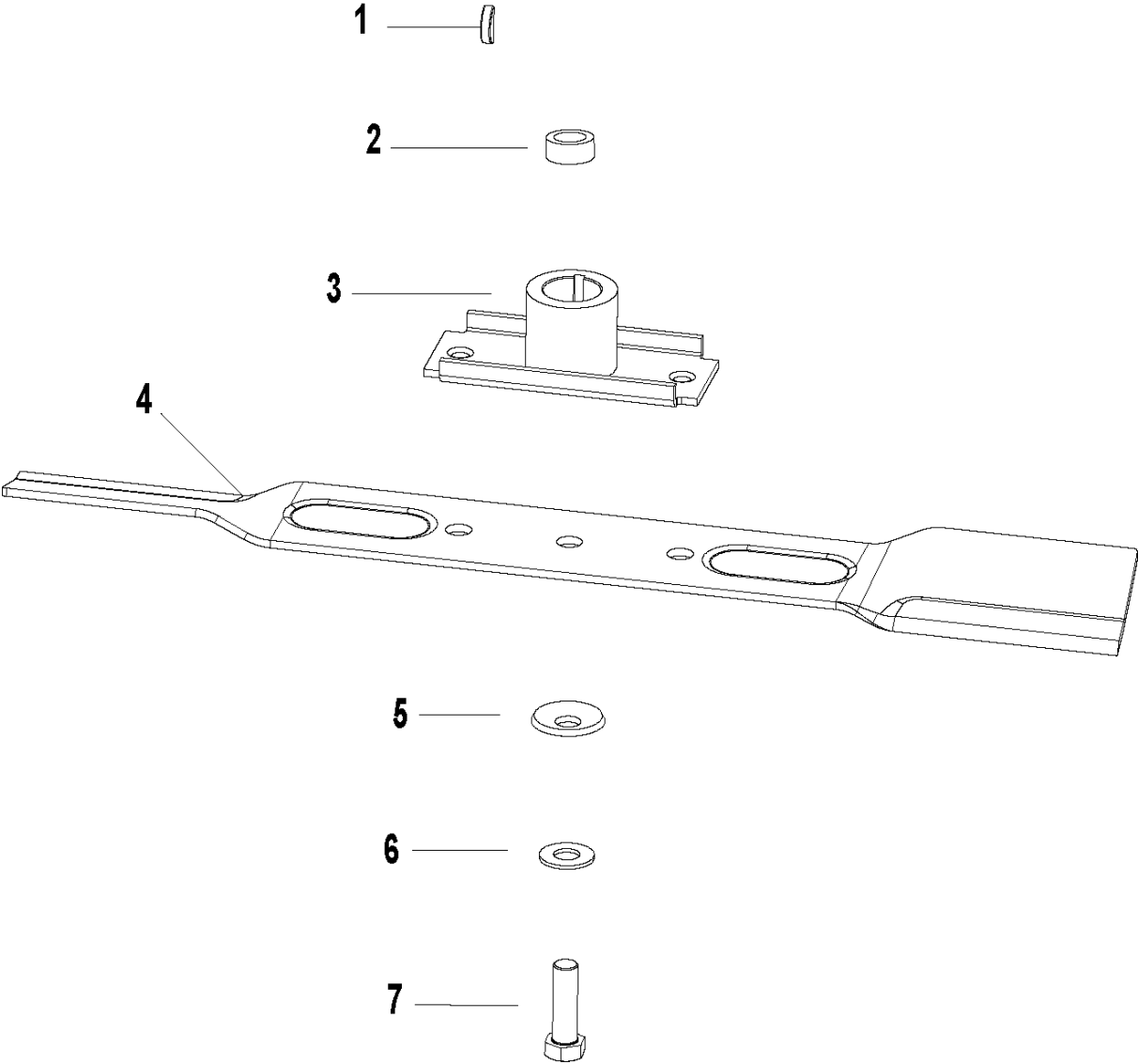
## ENGINE

LC 419, 2019-04

Ref	Part No	Description	Remark	QTY KIT
1	597 87 68-01	ENGINE	Engine	1
2	581 40 70-01	BOLT	3/8-16*37 Bolt for engine	1
3	581 64 20-01	NUT	nut self lock	1
4	581 40 22-01	WASHER	φ8 Flat Washer	3
5	581 40 18-01	WASHER	φ8 Spring Washer	1
6	581 64 23-01	BOLT	M8*60 Bolt	1

# B

## LC419 BLADE



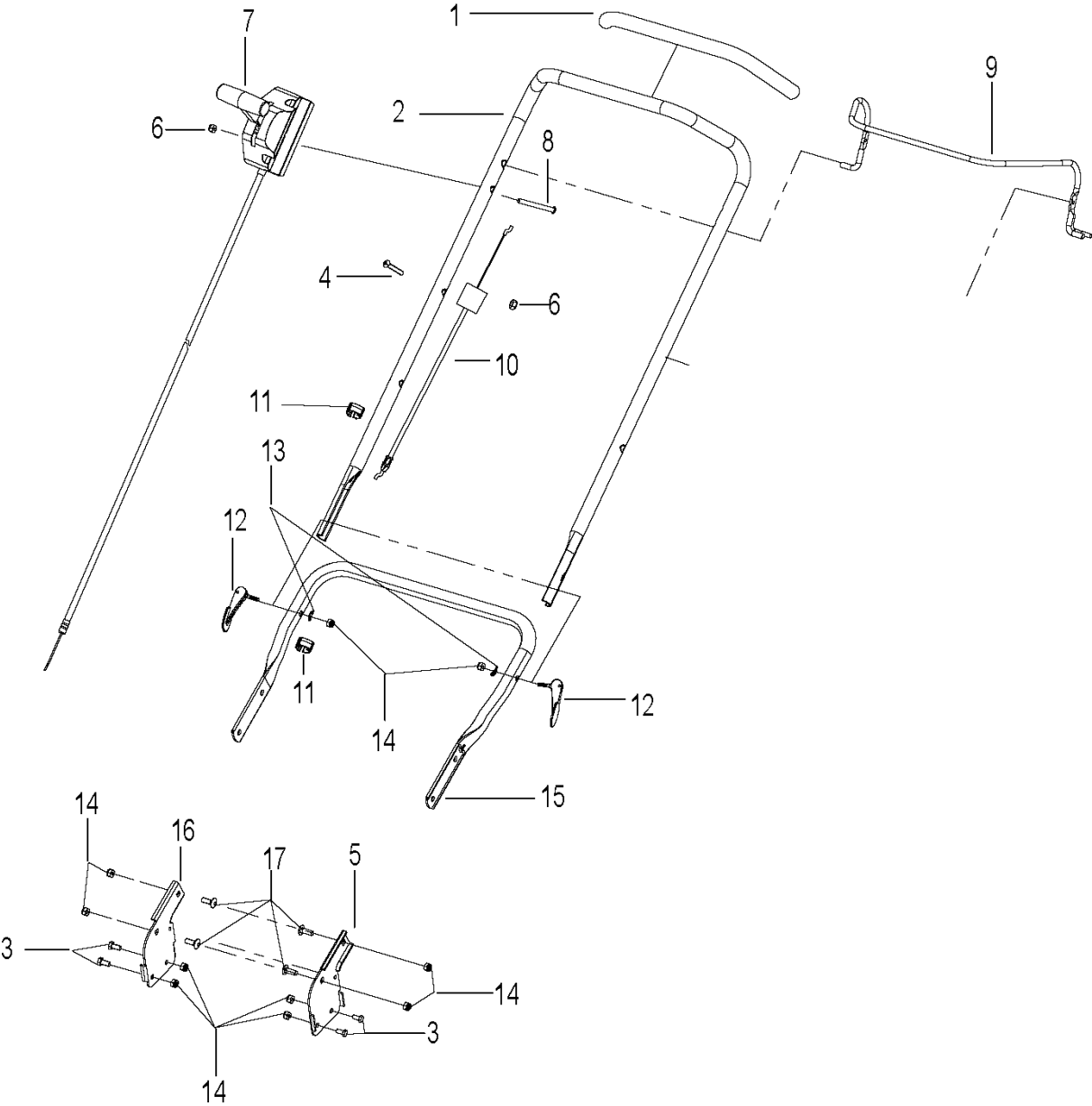
## BLADE

LC 419, 2019-04

Ref	Part No	Description	Remark	QTY KIT
1	581 39 64-02	KEY	4 half-circle key	1
2	597 78 11-01	LINING	Extended lining $\phi 22 * \phi 12.5 * 5$	1
3	597 87 59-01	ADAPTER	Blade adapter $\phi 22.2 * 4 * 32$	1
4	597 87 61-01	BLADE	Straight Blade	1
5	597 87 77-01	WASHER	wing washer $\phi 30 * 5$	1
6	581 40 19-01	WASHER	$\phi 10.2 * \phi 21 * 1.5$ Flat Washer	1
7	597 87 62-01	BOLT	3/8-24*38 Bolt	1

# C

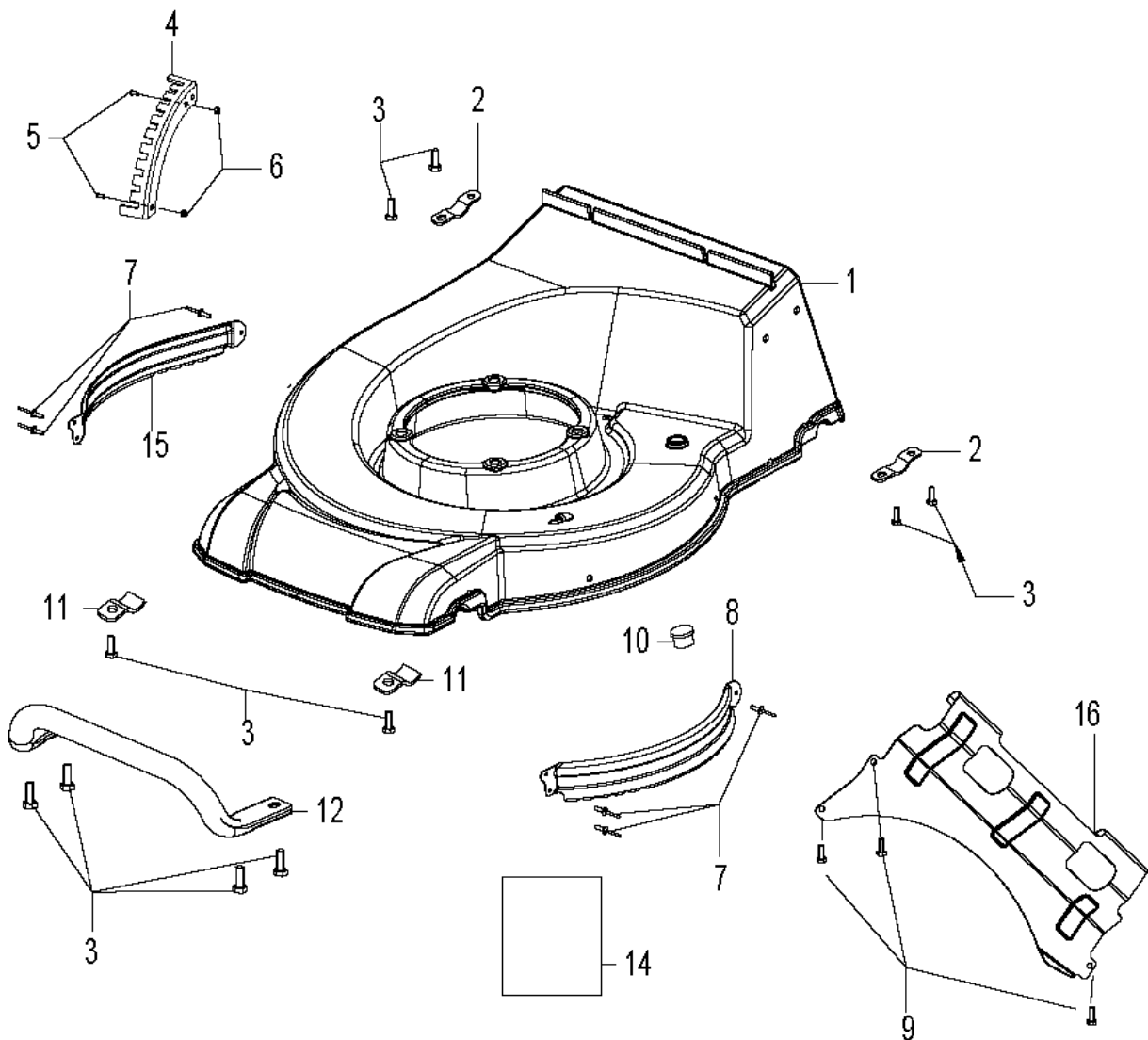
## LC419 HANDLE



Ref	Part No	Description	Remark	QTY KIT
1	581 39 94-01	COVER	Sheath for handle	1
2	597 87 72-01	HANDLE	Upper Handle	1
3	581 40 07-01	BOLT	Bolt	4
4	597 87 75-01	SCREW	M6*35 Screw	1
5	581 40 28-01	BRACKET	Left Bracket for handle	1
6	581 40 09-01	NUT	Locknut of Nylon M6	1
7	597 78 02-01	THROTTLE CONTROL ASSY	Throttle Controller 1500	1
8	581 40 16-01	BOLT	M6*55 Bolt	1
9	597 78 00-01	BRAKE LEVER	Brake Lever	1
10	597 87 65-01	CABLE	Brake Cable Assy.	1
11	581 40 32-02	CABLE	Cli-Cable single	1
12	581 40 23-01	SPANNER	Spanner	2
13	581 40 24-01	WASHER	Arc Washer	2
14	581 40 11-01	NUT	Locknut of Nylon M8	10
15	597 87 71-01	HANDLE	Lower Handle	1
16	581 40 30-01	BRACKET	Right Bracket for handle	1
17	581 40 25-01	BOLT	Square neck bolt	4

# D

## LC419 DECK

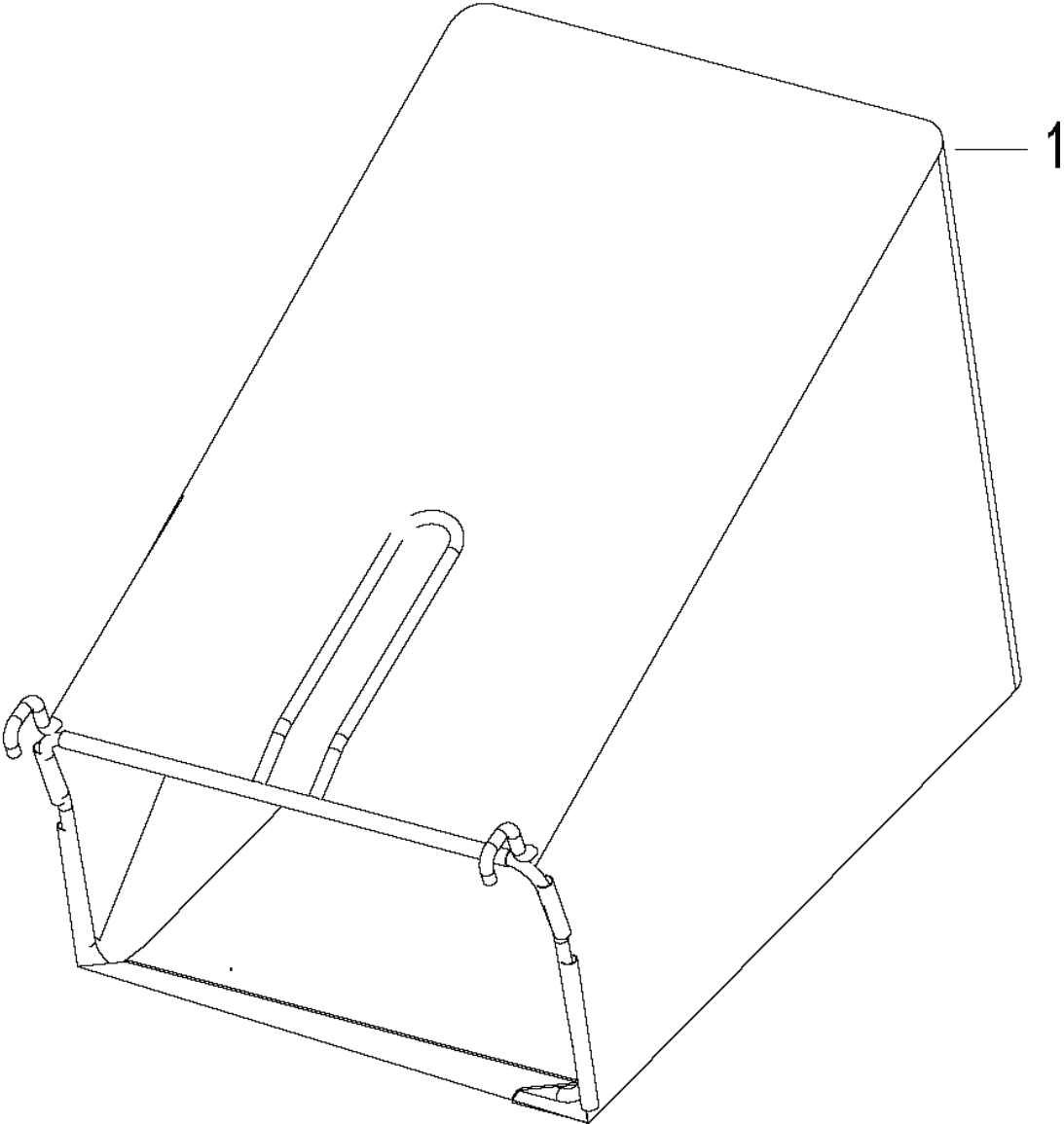




Ref	Part No	Description	Remark	QTY KIT
1	585 69 20-01	CHASSIS	Alu.Chassis Assemble	1
2	585 68 49-01	BRACKET	Bracket for rear axle	2
3	581 40 14-01	BOLT	Screw	10
4	585 68 47-01	LEVER	Height Adjust	4
5	585 68 48-01	BOLT	Bolt	2
6	581 40 08-01	NUT	Nut	2
7	585 69 31-01	RIVET	Rivet	6
8	597 77 96-01	BUMPER	Bumper plate left	1
9	581 52 74-01	BOLT	Screw	3
10	581 39 48-01	CAP	cap	1
11	585 69 28-01	BRACKET	Bracket for Front axle	2
12	597 77 95-01	BUMPER	Bumper Bar Front	1
14	581 86 11-01	LABEL	LC19 Label, engine	1
15	597 77 97-01	BUMPER	Bumper plate right	1
16	597 78 15-01	CHASSIS	Bottom Chassis	1

# E

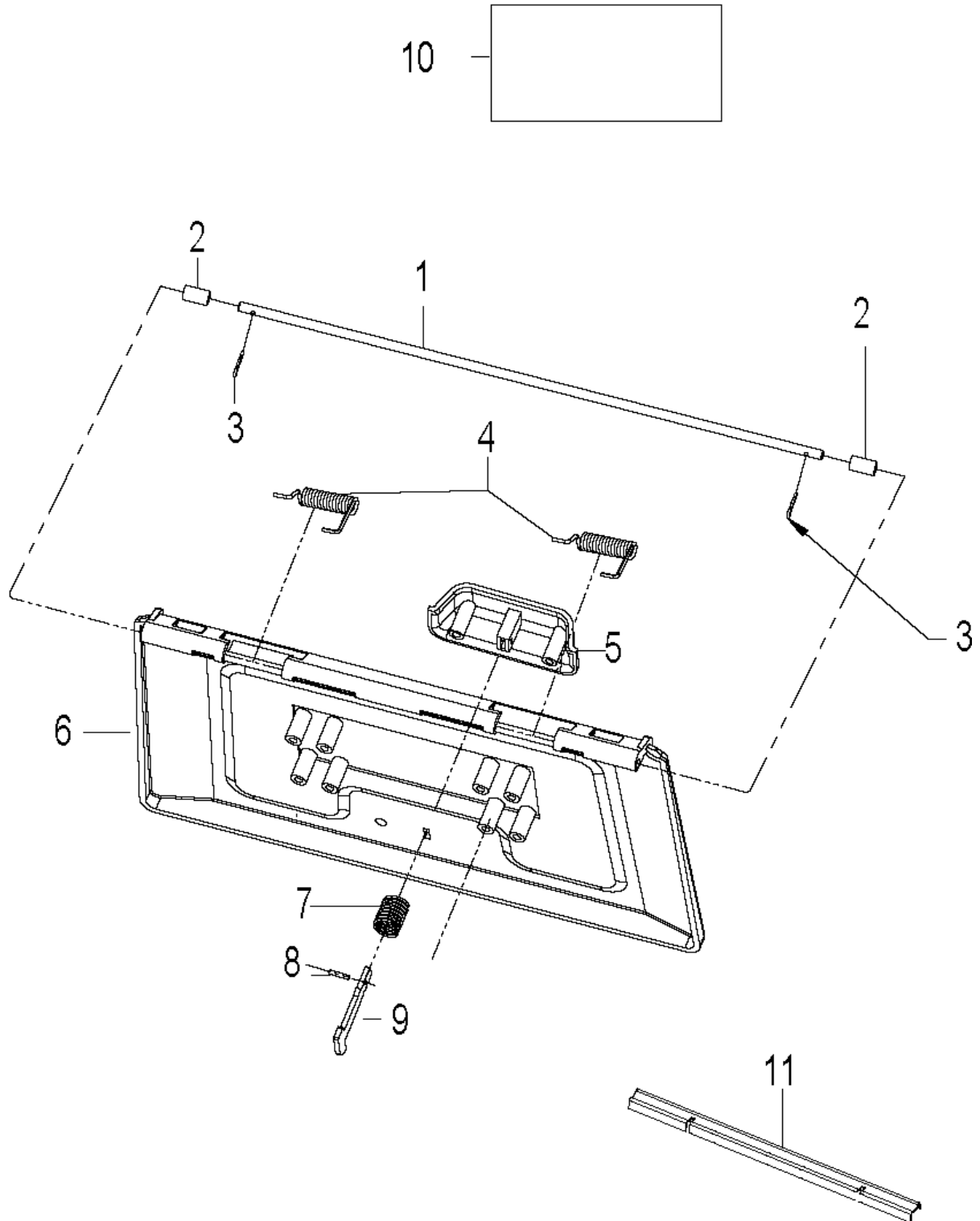
## LC419 CATCHER



Ref	Part No	Description	Remark	QTY KIT
1	597 78 14-01	GRASSBAG	Grass catcher assy.	1

# F

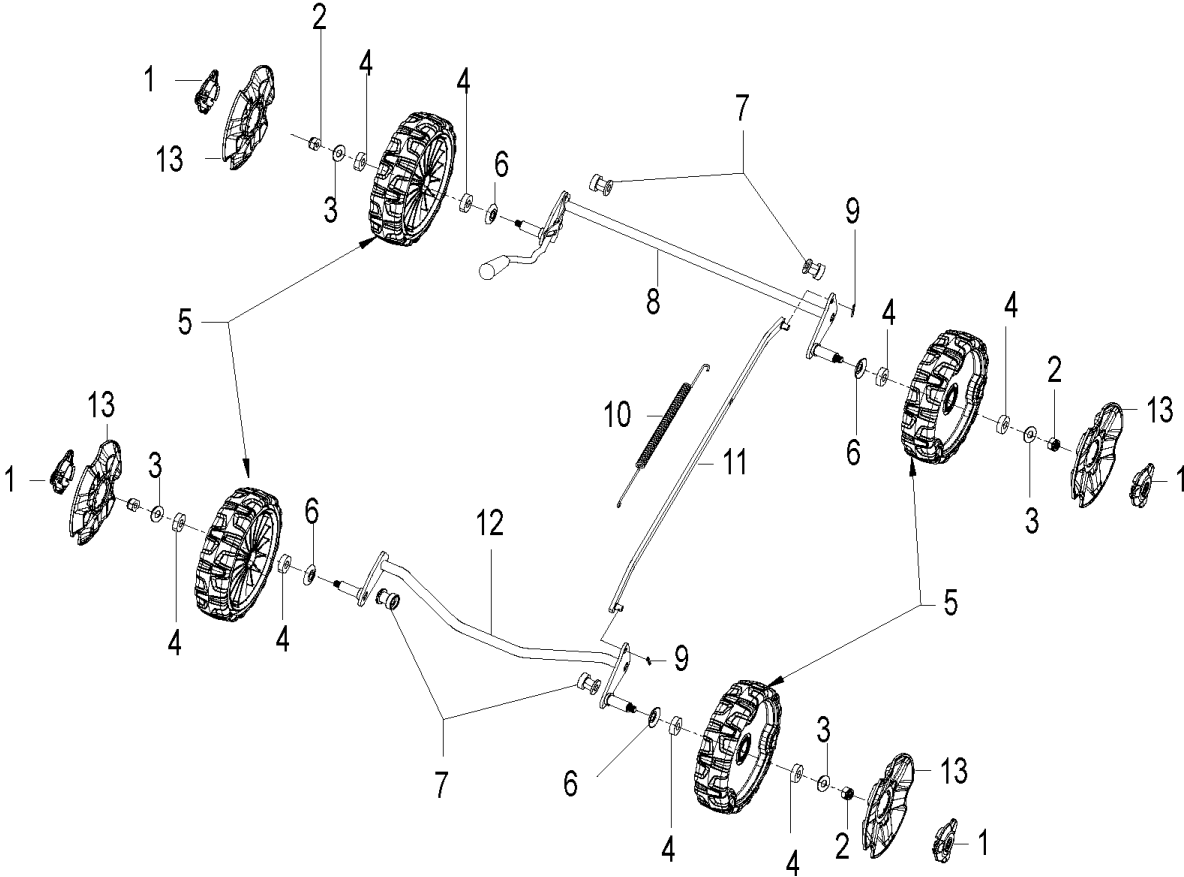
## LC419 FLAP



Ref	Part No	Description	Remark	QTY KIT
1	585 68 44-01	AXLE	Axle of Flap	1
2	581 39 95-01	PIPE	Transparent pipe	2
3	581 40 64-01	CLIP	Clip for Connecting Link	2
4	581 39 96-01	SPRING	Spring for Deflector	2
5	581 45 77-01	HANDLE	Handle for Deflector	1
6	581 39 89-01	DEFLECTOR	Deflector	1
7	581 45 73-01	SPRING	Spring for Deflector Handle	1
8	581 45 72-01	PEN	3*10 Elastic Pin	1
9	581 45 75-01	HOOK	T-type Hook	1
10	581 86 08-01	LABEL	Label, Warning	1
11	581 39 98-01	SEAL	Seal for Flap	1

# G

## LC419 WALKING SYSTEM



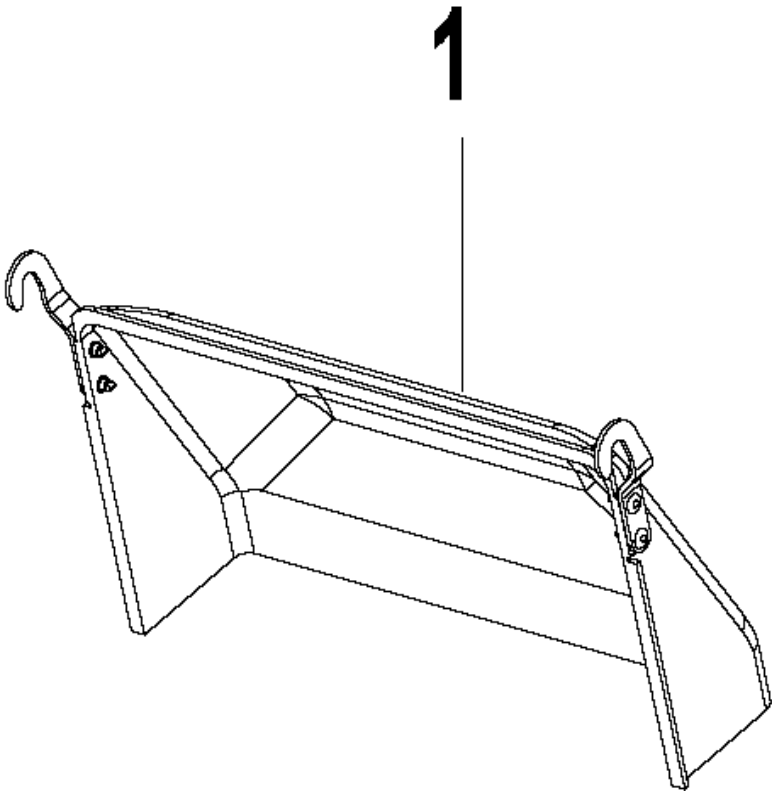
## WALKING SYSTEM

LC 419, 2019-04

Ref	Part No	Description	Remark	QTY KIT
1	585 68 41-01	COVER	Small wheel cover	4
2	581 40 11-01	NUT	Nut	4
3	581 40 22-01	WASHER	Flat Washer	4
4	589 78 40-01	BEARING	6001 bearing	8
5	585 68 34-01	WHEEL	210mm Wheel&Tire from Husqvarna	4
6	585 68 50-01	SEAL	Axle anti-dust cover	4
7	581 40 42-01	LINING	Front Axle lining	4
8	581 40 54-01	WHEEL	Rear Wheel Axle Assy.	1
9	581 40 64-01	CLIP	Clip for Connecting Link	2
10	585 69 26-01	SPRING	Spring for Connecting link	1
11	585 69 27-01	LINK	Connecting Link	1
12	581 40 40-01	WHEEL	Front Wheel Axle Assy.	1
13	585 68 40-01	COVER	Big Wheel cover	4

# H

## LC419 REAR DISCHARGE CHUTE





Ref	Part No	Description	Remark	QTY KIT
1	597 78 13-01	CHUTE	Rear Discharge Chute	1