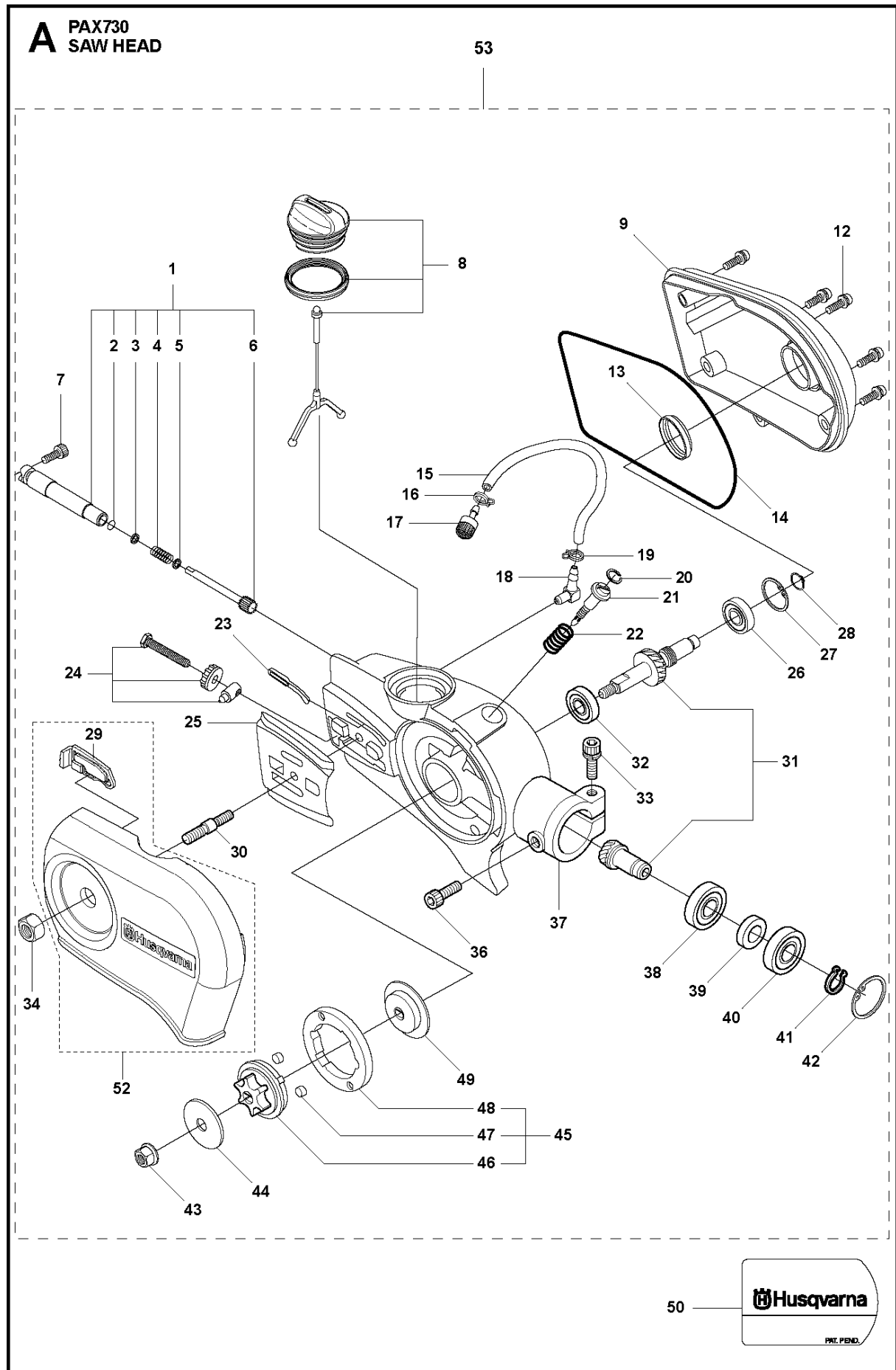




SPARE PARTS LIST

ACCESSORIES AND TOOLS

POLE SAW ATTACHMENT PAX730
(967688201)

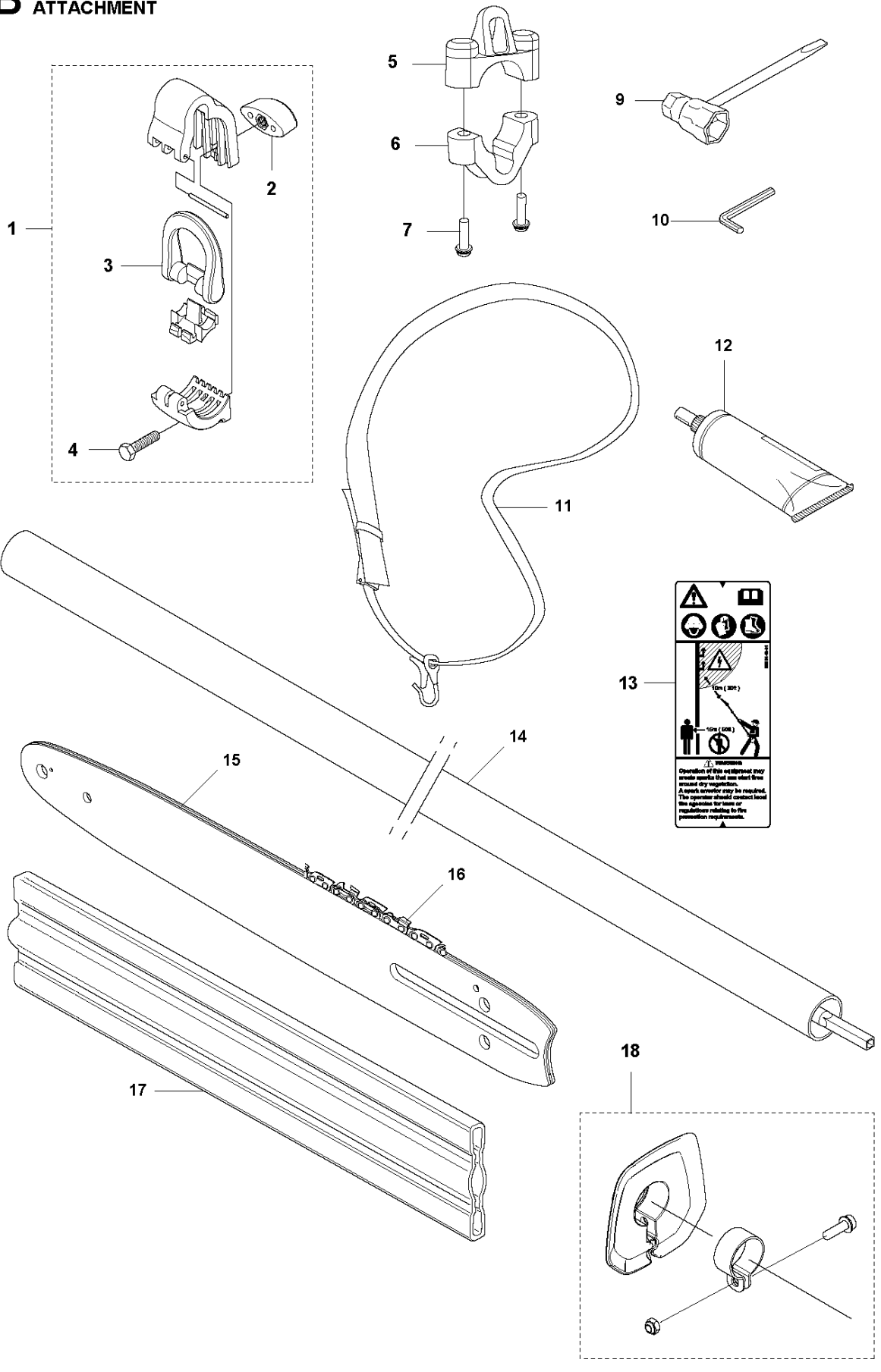


SAW HEAD

POLE SAW ATTACHMENT PAX730 (967688201)

Ref	Part No	Description	Remark	QTY	KIT
1	537 29 92-01	OIL PUMP ASSY		1	53
2	740 42 03-00	O-RING		1	53
3	503 23 00-16	WASHER		1	53
4	503 18 49-01	SPRING		1	53
5	503 23 00-16	WASHER		1	53
6	503 80 83-02	PUMP PISTON		1	53
7	725 53 27-55	SCREW IHSCM		1	53
8	537 28 15-02	TANK CAP ASSY		1	53
9	593 62 04-01	CAP ASSY		1	53
12	725 53 29-55	SCREW IHSCM		5	53
13	537 33 01-01	SEALING		1	53
14	537 29 10-01	O-RING		1	53
15	537 29 11-01	HOSE		1	53
16	537 37 15-01	HOSE CLAMP		1	53
17	504 71 00-03	OIL PLUMMET		1	53
18	504 34 00-04	FITTING		1	53
19	537 37 15-01	HOSE CLAMP		1	53
20	537 29 09-01	CIRCLIP		1	53
21	537 05 68-01	ADJUSTER		1	53
22	503 97 82-01	SPRING		1	53
23	537 33 17-01	OIL DUCT		1	53
24	537 22 82-01	CHAIN TENSIONER		1	53
25	537 19 42-01	CHAIN GUIDE PLATE		1	53
26	738 21 00-04	BALL BEARING		1	53
27	735 31 27-10	CIRCLIP		1	53
28	735 31 12-00	CIRCLIP		1	53
29	575 55 37-01	SEALING PLATE		1	52, 53
30	576 29 30-01	BAR BOLT	M7-M8	1	53
31	537 29 90-01	GEAR WHEEL KIT		1	53
32	738 21 99-04	BALL BEARING		1	53
33	725 53 33-55	SCREW IHSCM		1	53
34	731 23 18-01	HEXAGON NUT		1	53
36	725 53 27-55	SCREW IHSCM		1	53
37	537 22 74-01	HOUSING		1	53
38	738 21 99-04	BALL BEARING		1	53
39	537 24 77-01	SPACER		1	53
40	738 21 99-04	BALL BEARING		1	53
41	735 31 11-00	CIRCLIP		1	53
42	735 31 25-10	CIRCLIP		1	53
43	731 71 16-51	HEXAGON NUT FLANGE		1	53
44	503 23 00-68	WASHER		1	53
45	537 27 18-01	FLYWHEEL		1	53
46	537 27 15-01	HUB		1	53
47	537 27 17-01	BUSHING		2	53
48	537 27 14-01	RING		1	53
49	537 27 16-01	HUB CAP		1	53
50	537 23 00-01	LABEL		1	
52	575 54 18-01	CHAIN GUARD		1	53
53	537 24 71-03	CUTTING HEAD ASSY		1	

B PAX730
ATTACHMENT



ATTACHMENTS

POLE SAW ATTACHMENT PAX730 (967688201)

Ref	Part No	Description	Remark	QTY	KIT
1	537 35 36-01	LOOP		1	
2	537 13 04-02	KNOB		1	
3	537 35 01-01	LOOP		1	
4	725 23 31-51	SCREW		1	
5	545 11 33-01	CLAMP		1	
6	545 05 66-01	CLAMP		1	
7	530 01 59-40	SCREW		1	
9	501 69 17-01	COMBINATION WRENCH		1	7
10	503 55 86-01	SPANNER		1	7
11	537 21 62-01	HARNESS		1	
12	579 06 49-01	GREASE		1	
13	585 94 40-01	DECAL		1	
14	587 98 81-02	TUBE ASSY		1	
15	501 95 92-40	BAR	10"	1	
15	501 95 92-45	BAR	12"	1	
16	576 93 65-40	SAW CHAIN	10"	1	
16	576 93 65-45	SAW CHAIN	12"	1	
17	537 12 99-01	BAR COVER		1	
18	579 48 86-01	HAND GUARD ASSY		1	

Illustrated Parts List - IPL Update



Product Name(s)

PAX730

Description of change

Plug, valve and hub cap will not be sold separately, but will be included in Cap assy 593 62 04-01.
Because of this update, Cutting head assy was changed from -02 to -03.

Comments

Backward compatible

Introduced from

Serial number / Date	Remark

IPL updates

Page title	Ref. no	New part no	Name	Excl. part no.	Remark
Saw head	9	N/A	Hub cap	537 22 75-01	Removed
Saw head	11	N/A	Plug	503 98 13-01	Removed
Saw head	10	N/A	Valve	537 04 03-01	Removed
Saw head	9	593 62 04-01	Cap assy		New assembly. Including valve, plug and hub cap.
Saw head	53	537 24 71-03	Cutting head assy	537 24 71-02	