

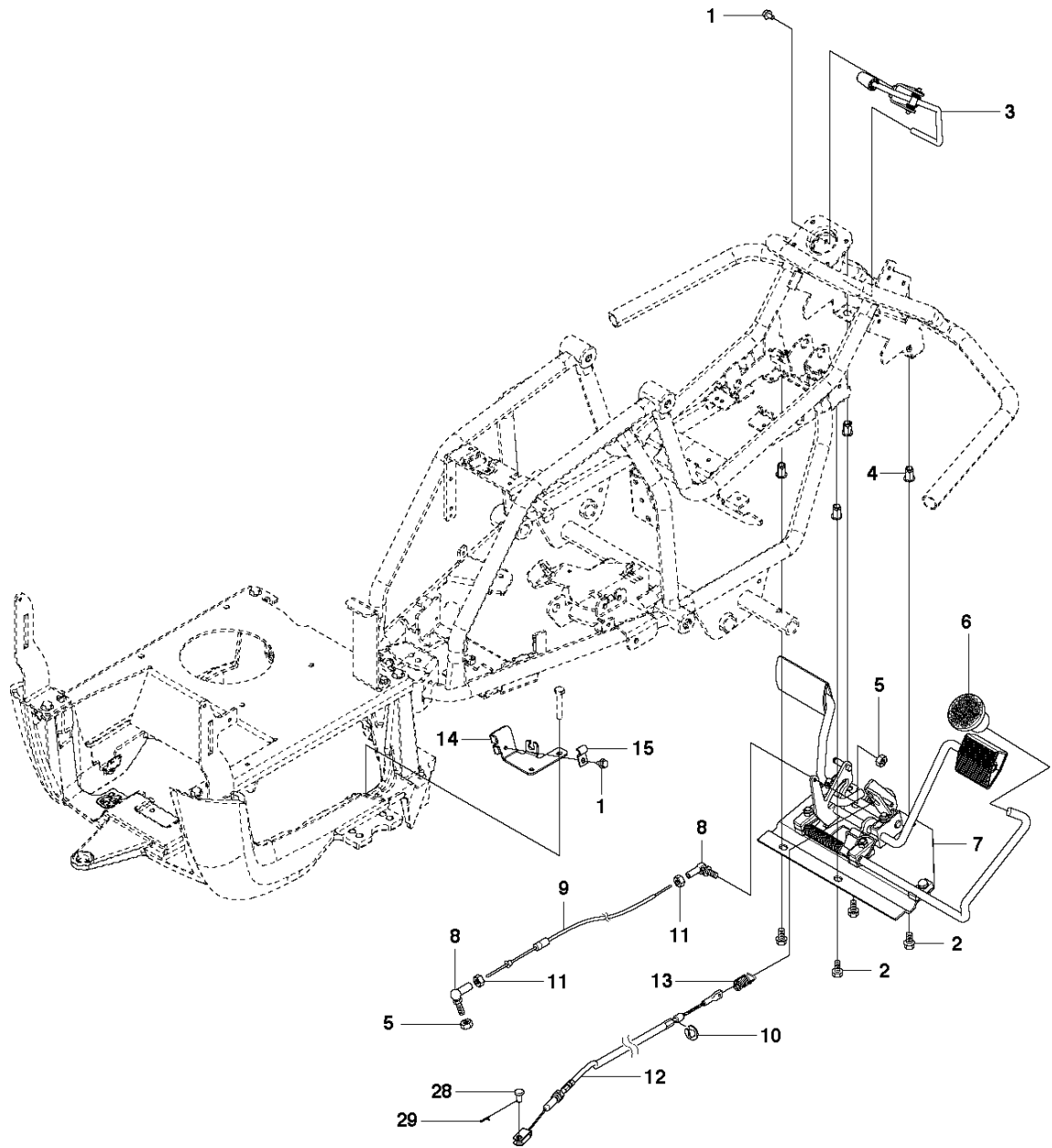


SPARE PARTS LIST

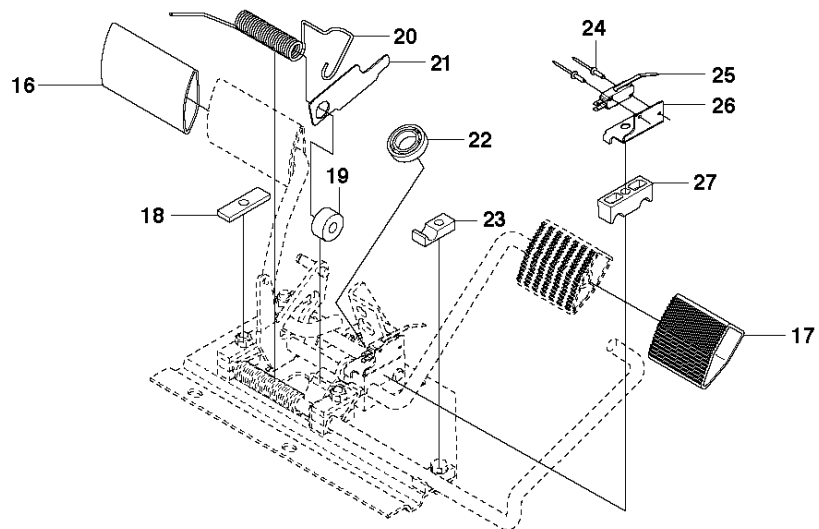
RIDERS

R115 C, 967252701, 2014

CONTROLS - 2



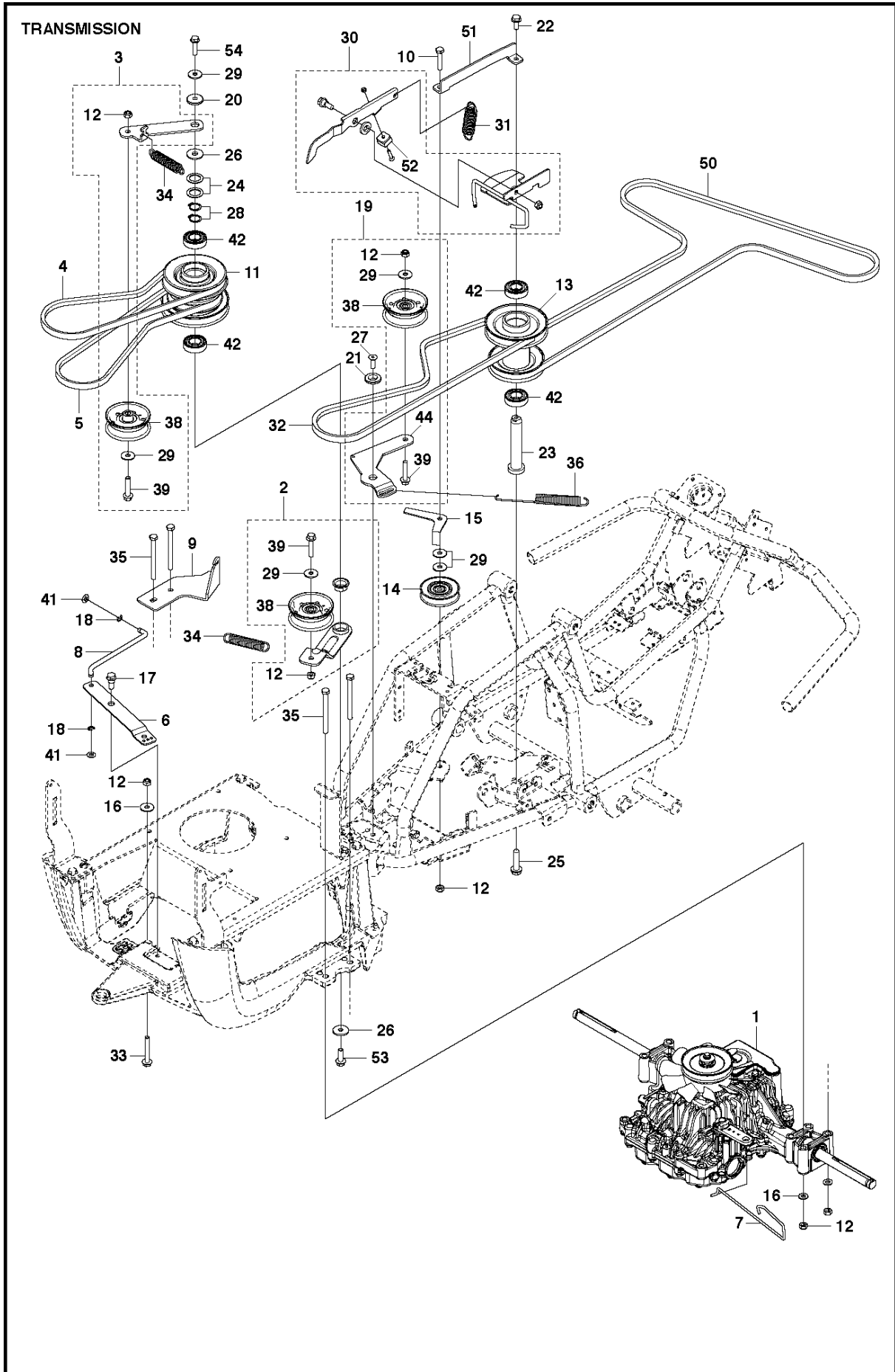
PEDALS



CONTROLS

R115 C, 967252701, 2014

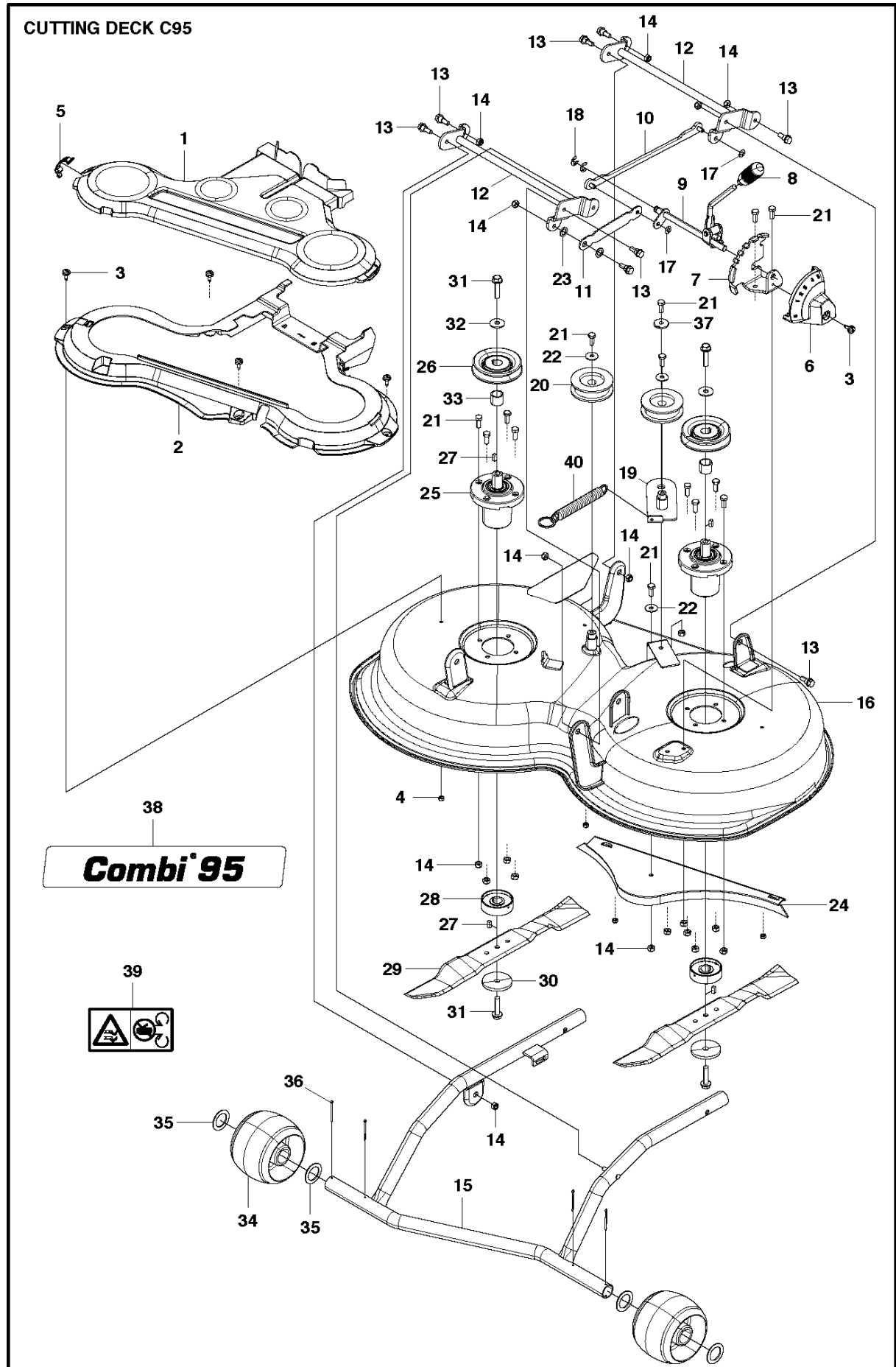
Ref	Part No	Description	Remark	QTY KIT
1	725 23 64-61	SCREW EHHFT		7
2	506 57 01-03	SCREW EHHFM		5
3	523 34 60-01	LOCKING LEVER		1
4	506 91 62-01	BLIND RIVET NUT		4
5	731 23 14-01	HEXAGON NUT		2
6	535 47 37-01	KNOB		1
7	544 12 60-01	PEDAL PLATE ASSY		1
8	506 55 73-01	VINKELL.AS8 DIN71802		2
9	574 41 11-05	CONTROL CABLE		1
10	735 31 09-20	E-CLIP		1
11	732 21 14-01	LOCK NUT		2
12	578 36 06-02	BRAKE WIRE		1
13	575 35 52-01	SPRING		1
14	580 27 77-01	WIRE HOLDER		1
15	506 56 65-01	CLIP		2
16	535 47 88-02	PEDAL RUBBER		1
17	535 47 88-01	PEDAL RUBBER		1
18	535 48 10-01	REINFORCEMENT PLATE		3
19	535 48 02-01	ROLLER		1
20	535 48 07-01	SPRING		1
21	535 48 06-01	PROTECTIVE PLATE		1
22	738 21 02-04	BALL BEARING		1
23	535 48 09-01	BEARING SUPPORT		5
24	544 44 07-01	RIVET		2
25	574 31 61-01	SWITCH		1
26	544 41 57-01	BRACKET		1
27	535 48 08-01	BEARING SUPPORT		4
28	506 66 88-01	SPRING COTTER		1
29	721 83 99-01	CLEVIS PIN		1



TRANSMISSION

R115 C, 967252701, 2014

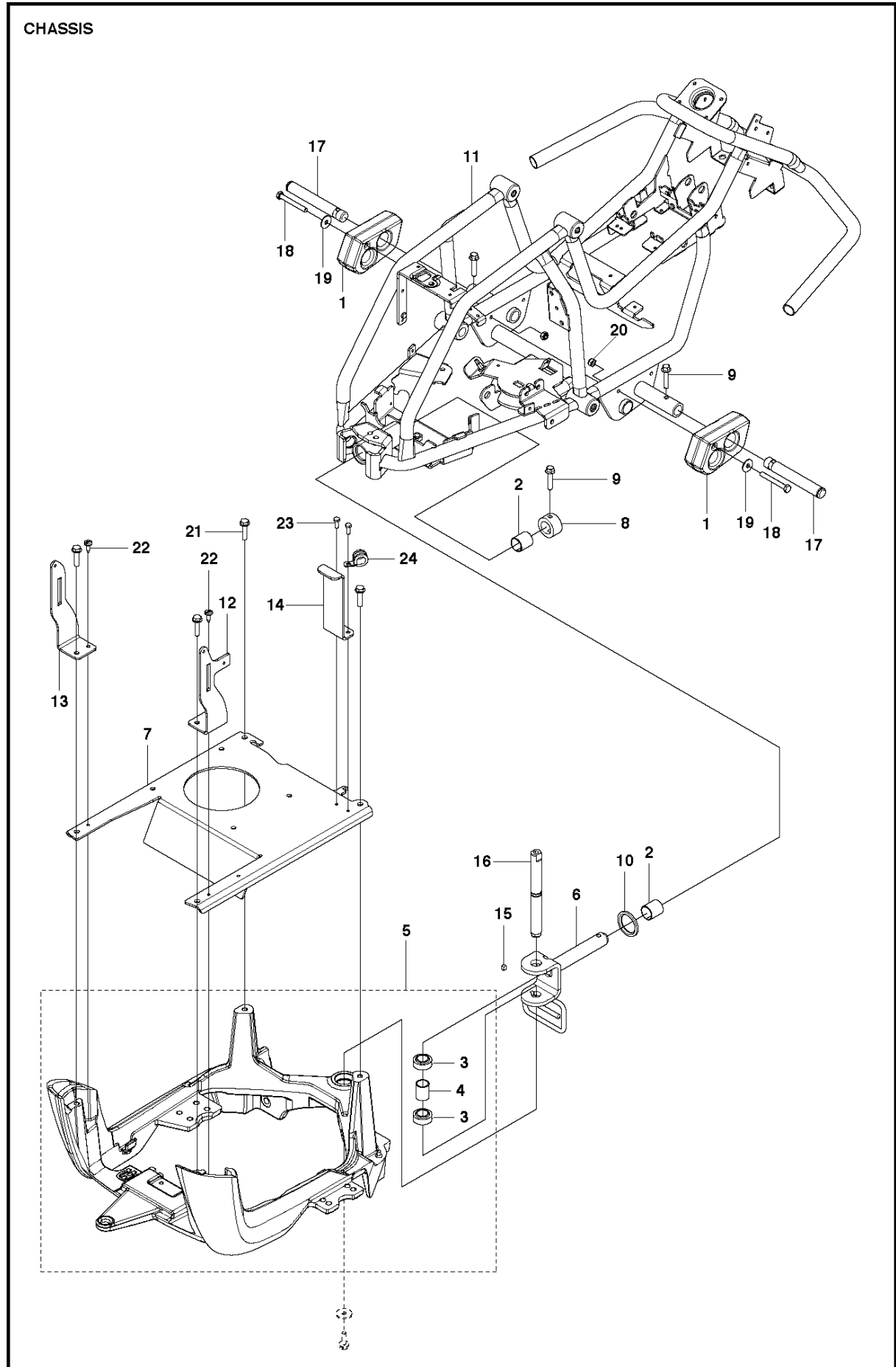
Ref	Part No	Description	Remark	QTY	KIT
1	580 37 84-01	TRANSMISSION		1	
2	580 27 90-01	BELT TENSIONER ASSY		1	
3	580 27 87-01	BELT TENSIONER ASSY		1	
4	589 56 31-01	BELT		1	
5	580 28 04-01	BELT		1	
6	580 27 78-01	LINK ARM		1	
7	580 37 49-01	ARM		1	
8	580 29 11-01	ROD		1	
9	580 29 12-01	BRACKET		1	
10	725 24 59-51	SCREW EHHM		1	
11	581 73 85-01	PULLEY		1	
12	732 21 18-01	LOCK NUT		5	2, 3, 19
13	581 74 02-01	PULLEY		1	
14	506 94 69-01	BELT TENS WHEEL ASSY		1	
15	577 41 85-01	BRACKET		1	
16	734 11 64-01	WASHER		4	
17	506 59 74-01	SCREW EHHFM		1	
18	735 31 10-20	E-CLIP		2	
19	522 60 33-01	BELT TENSIONER		1	
20	574 87 41-01	WASHER		1	
21	581 76 52-01	WASHER		1	
22	506 57 01-04	SCREW EHHFM		1	
23	574 25 98-01	SHAFT		1	
24	506 50 48-05	WASHER		2	
25	506 67 54-02	SCREW EHHFM		1	
26	734 11 74-41	WASHER		1	
27	725 64 53-01	SCREW IHCSFM		1	
28	735 31 22-00	CIRCLIP		2	
29	734 11 64-41	WASHER		4	
30	581 73 94-01	BRAKE ASSY		1	
31	575 92 89-01	SPRING		1	
32	581 75 99-01	BELT		1	
33	506 57 01-07	SCREW EHHFM		1	
34	574 50 61-01	SPRING		2	
35	725 24 69-51	SCREW EHHM		4	
36	575 56 72-02	SPRING		1	
38	539 91 90-78	PULLEY		3	2, 3, 19
39	725 24 59-51	SCREW EHHM		3	2, 3, 19
41	735 58 52-01	WASHER		2	
42	738 21 04-04	BALL BEARING		4	
44	522 60 29-01	BELT TENSIONER		1	
50	589 53 31-01	BELT		1	
51	581 74 66-01	BRACKET		1	
52	506 83 36-01	BRAKE LINING		1	30
53	577 21 65-01	SCREW		1	
54	506 57 01-05	SCREW EHHFM		1	



94CM CUTTING DECK

R115 C, 967252701, 2014

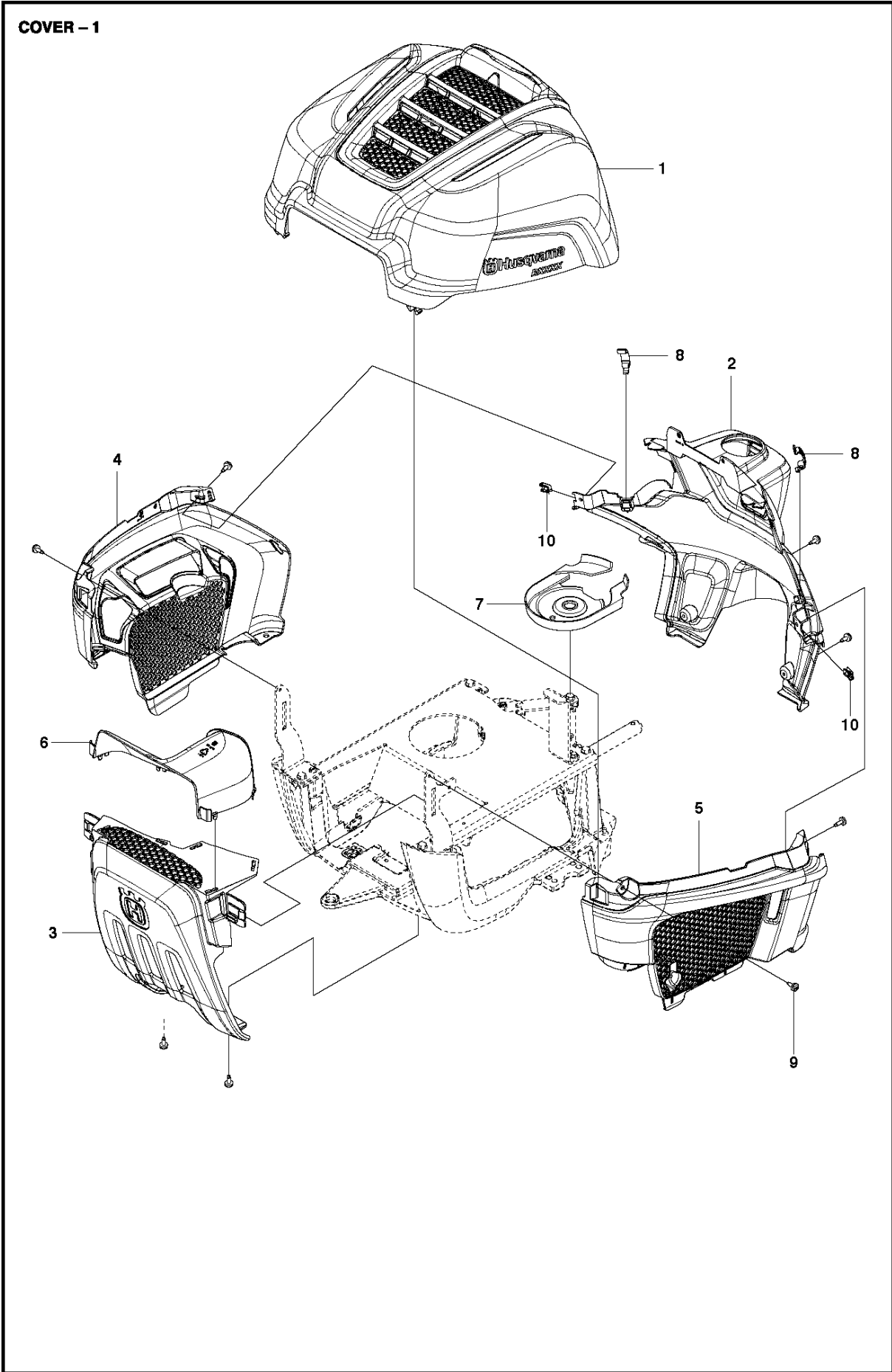
Ref	Part No	Description	Remark	QTY KIT
.	581 05 90-01	CUTTING DECK	Complete, Not shown	1
1	580 52 65-01	COVER		1
2	580 52 64-01	COVER		1
3	544 40 05-01	SCREW		5
4	732 21 16-01	LOCK NUT	M6-8.8 LOCK	4
5	503 89 47-01	SNAP LOCKING		1
6	573 97 18-01	COVER		1
7	522 52 32-01	BRACKET		1
8	574 32 88-01	HANDLE		1
9	575 80 21-01	LEVER ASSY		1
10	581 19 60-01	LIFTING ARM		1
11	581 05 26-01	ARM		1
12	522 45 09-01	CROSS BAR		2
13	506 59 74-01	SCREW EHHFM		8
14	732 21 18-01	LOCK NUT	M8-8.8 LOCK	20
15	580 39 64-01	EQUIPMENT FRAME		1
16	580 39 01-01	CUTTING DECK		1
17	735 58 52-01	WASHER		2
18	735 31 15-20	E-CLIP		2
19	580 39 69-01	BELT TENSIONER		1
20	506 79 32-02	BELT TENSIONER WHEEL		2
21	725 24 51-71	SCREW EHHM	M8X20	14
22	734 11 64-41	WASHER		3
23	734 11 77-71	WASHER		2
24	580 39 71-01	PLUG		1
25	573 96 86-01	BEARING HOUSING ASSY		2
26	506 92 21-01	PULLEY		2
27	506 53 35-01	PARALLEL KEY		4
28	573 96 61-01	ADAPTER		2
29	580 39 74-01	BLADE	LENGTH 471.2	2
30	506 79 23-03	KNIFE PLATE		2
31	506 67 54-02	SCREW EHHFM		4
32	734 11 74-41	WASHER		2
33	580 39 75-01	DISTANCE		2
34	522 73 59-01	WHEEL		2
35	574 26 45-01	WASHER		4
36	721 61 87-01	SPLIT PIN		4
37	506 91 87-02	WASHER		1
38	574 84 97-02	DECAL		1
39	574 51 00-01	DECAL		2
40	584 29 88-01	SPRING		1



CHASSIS REAR

R115 C, 967252701, 2014

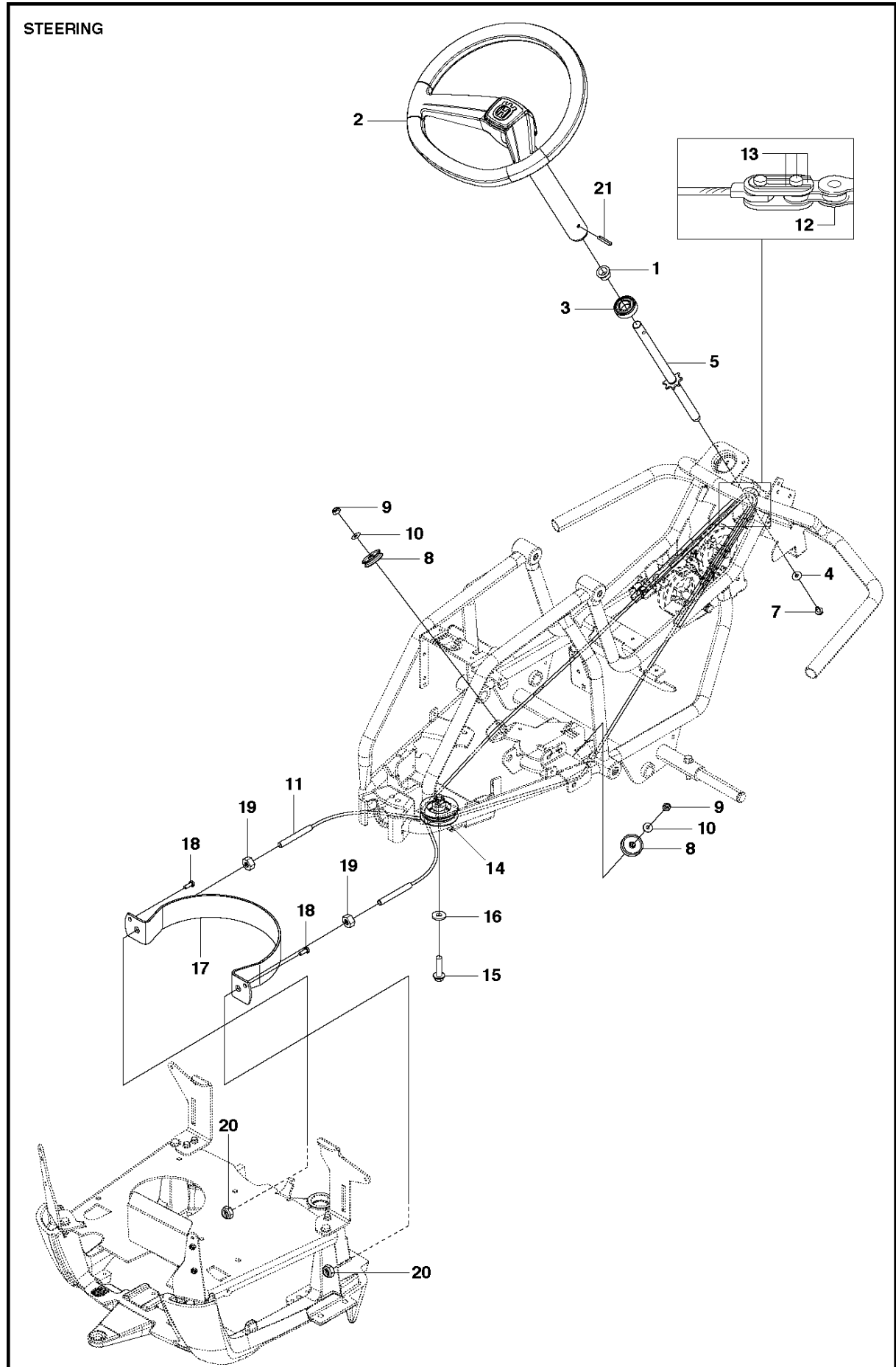
Ref	Part No	Description	Remark	QTY KIT
1	580 46 42-01	COUNTERWEIGHT		2
2	506 98 61-01	GLIDLAGER		2
3	574 36 85-01	BEARING		2
4	522 42 45-01	SLEEVE		1
5	590 26 84-01	FRAME ASSY		1
6	580 26 74-01	SWING AXLE		1
7	579 59 78-01	BRACKET		1
8	522 42 52-01	STOP SLEEVE		1
9	725 24 59-61	SCREW EHHFT		3
10	522 42 53-01	SPACER		1
11	581 27 41-01	FRAME		1
12	580 68 21-01	BRACKET		1
13	580 68 23-01	BRACKET		1
14	580 68 24-01	BRACKET		1
15	577 70 89-01	KEY		1
16	579 72 04-01	SHAFT		1
17	535 47 08-02	WHEEL AXLE		2
18	725 24 64-51	SCREW EHHM		2
19	734 11 64-41	WASHER		2
20	732 21 18-01	LOCK NUT		2
21	506 57 01-06	SCREW EHHFM		4
22	544 40 04-01	SCREW		2
23	725 23 68-61	SCREW EHHFT		2
24	574 53 12-03	HOSE CLAMP		1



COVER

R115 C, 967252701, 2014

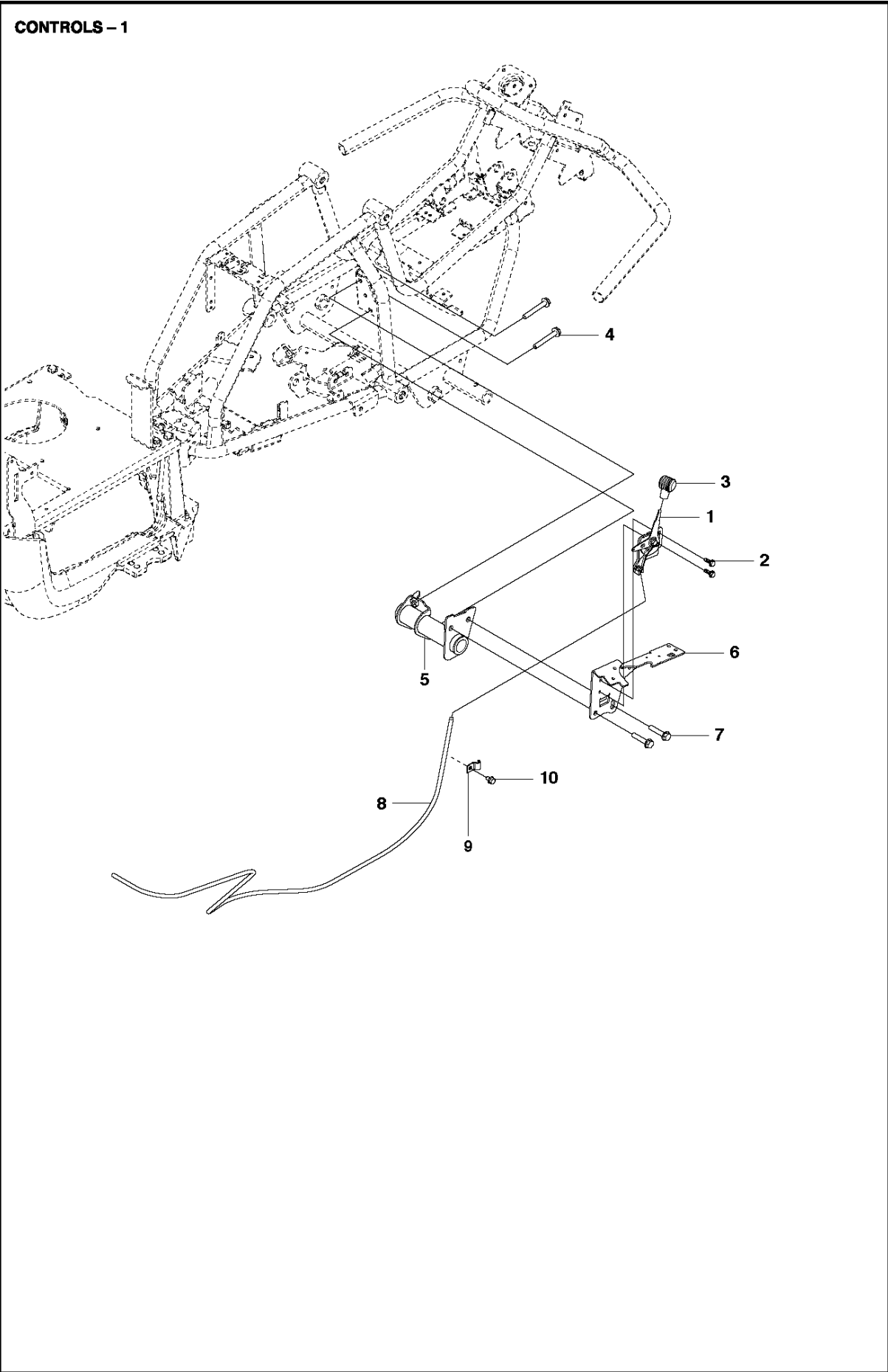
Ref	Part No	Description	Remark	QTY KIT
1	580 27 62-02	COVER		1
2	580 27 49-01	COVER		1
3	580 27 54-01	COVER		1
4	580 27 51-01	COVER		1
5	580 27 52-01	COVER		1
6	580 82 18-01	AIR CONDUCTOR		1
7	522 50 81-01	COVER		1
8	503 89 47-03	SNAP LOCKING		2
9	544 40 05-01	SCREW		8
10	535 42 91-01	SPRING NUT		2



STEERING

R115 C, 967252701, 2014

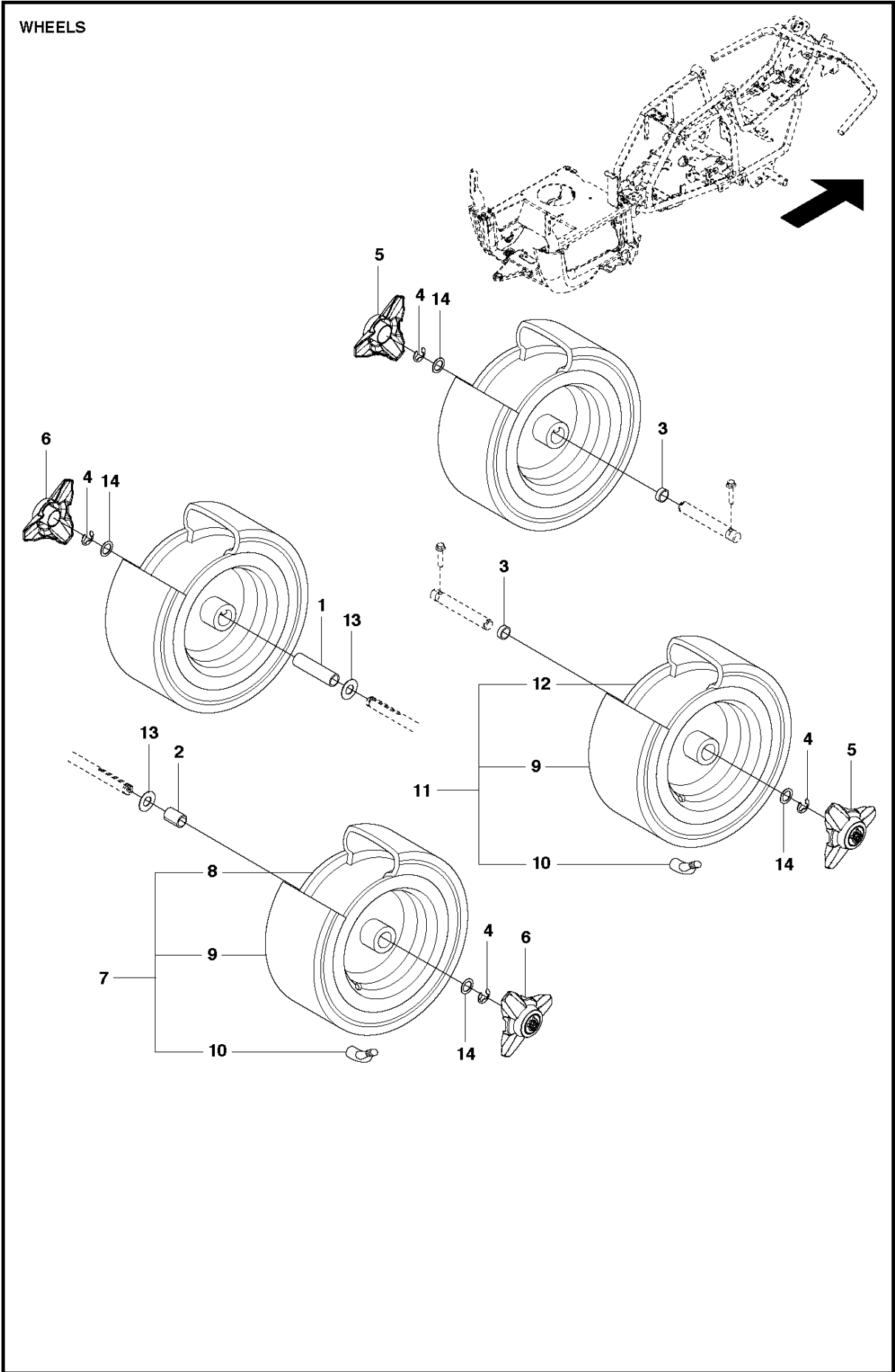
Ref	Part No	Description	Remark	QTY KIT
1	506 88 78-01	SPACER		1
2	594 03 37-01	STEERING SYSTEM		1
3	738 21 04-04	BALL BEARING		1
4	734 11 54-41	WASHER		1
5	575 63 24-01	STEERING ROD		1
7	535 47 52-12	SCREW EHHFM		1
8	581 15 82-01	PULLEY		2
9	732 21 18-01	LOCK NUT		2
10	734 11 64-01	WASHER		2
11	577 19 99-01	WIRE ASSY		2
12	506 55 46-01	CHAIN		1
13	506 55 47-01	LINKAGE		2
14	576 49 25-02	PULLEY		1
15	506 67 54-02	SCREW EHHFM		1
16	734 11 74-41	WASHER		1
17	525 40 43-01	GUIDE RAIL		1
18	725 23 68-61	SCREW EHHFT		2
19	731 23 20-51	HEXAGON NUT		2
20	732 21 20-51	NUT		2
21	721 43 47-01	SPRING PIN		1



CONTROLS

R115 C, 967252701, 2014

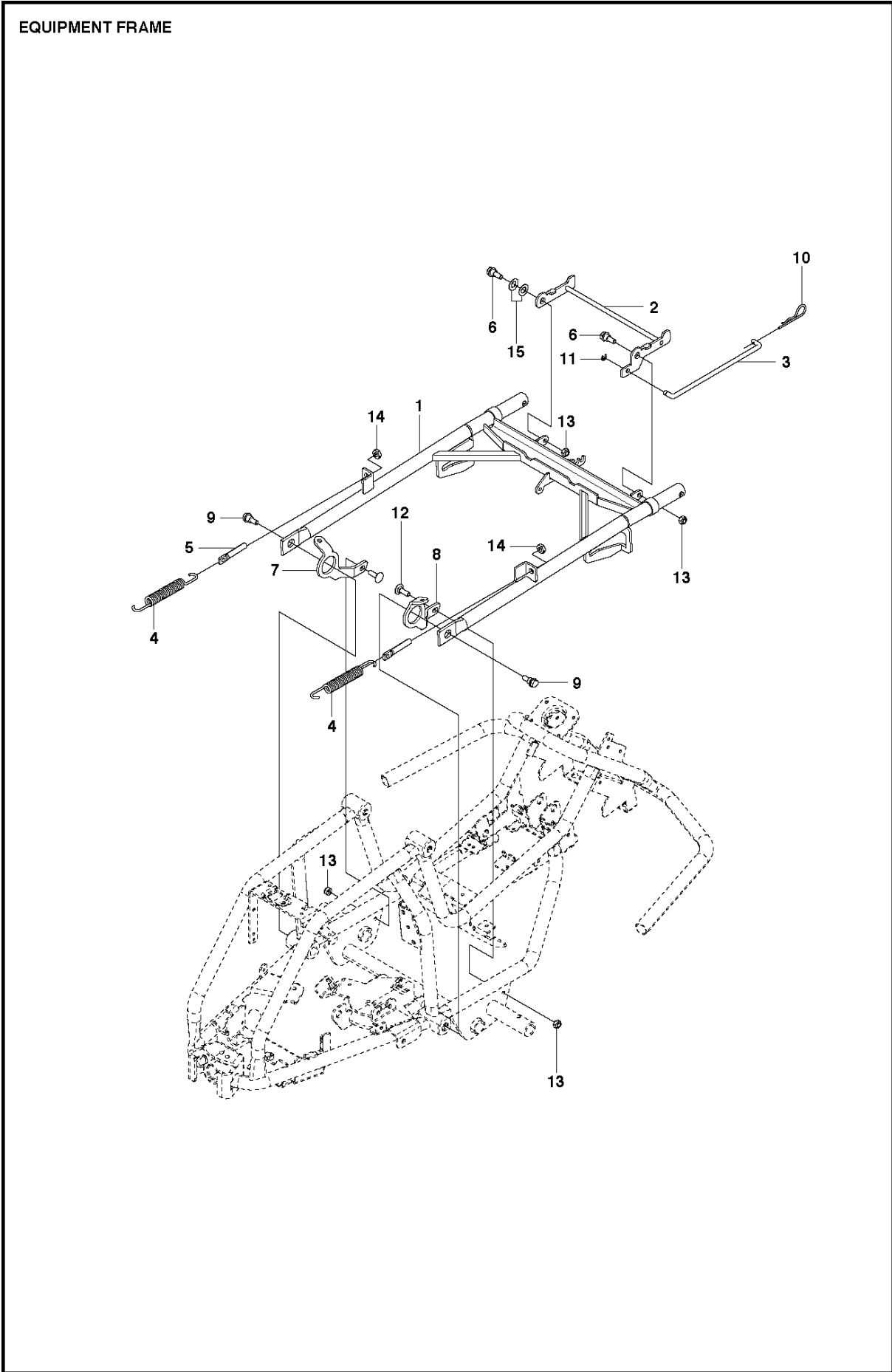
Ref	Part No	Description	Remark	QTY KIT
1	522 50 59-01	THROTTLE CONTROL		1
2	506 57 01-03	SCREW EHHFM		2
3	506 88 91-01	KNOB		1
4	725 24 60-71	SCREW EHHM		2
5	574 36 97-01	BRACKET		1
6	575 24 03-01	SHEET		1
7	506 57 01-04	SCREW EHHFM		2
8	544 30 17-04	WIRE		1
9	506 56 65-01	CLIP		1
10	725 23 64-61	SCREW EHHFT		1



WHEELS & TIRES

R115 C, 967252701, 2014

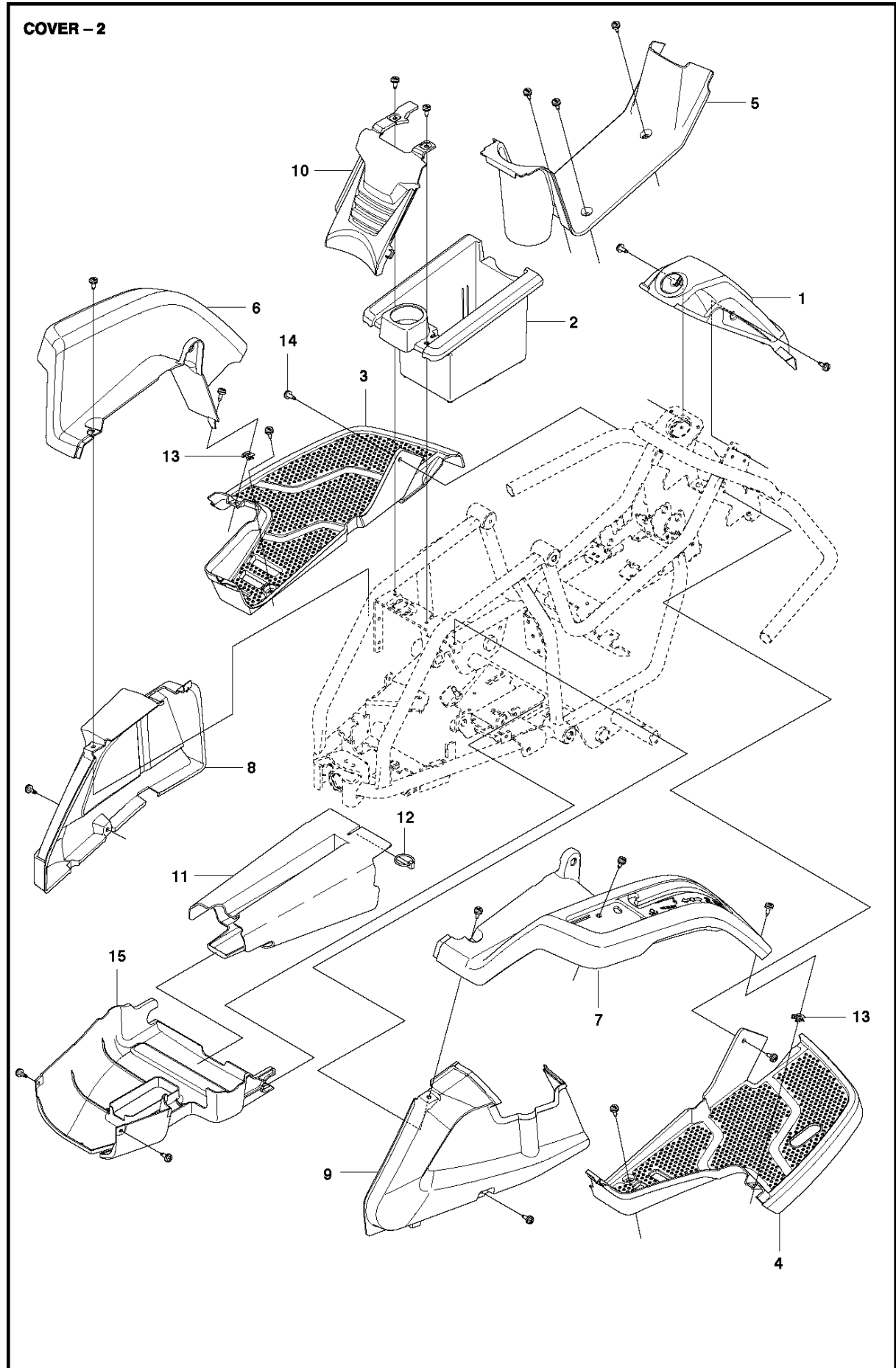
Ref	Part No	Description	Remark	QTY	KIT
1	585 35 84-10	SPACING SLEEVE		1	
2	585 35 84-04	SPACING SLEEVE		1	
3	585 35 84-02	SPACING SLEEVE		2	
4	506 89 90-01	E-CLIP		4	
5	544 35 35-02	HUB CAP		2	
6	544 35 35-01	HUB CAP		2	
7	523 01 26-02	WHEEL		2	
8	523 03 48-01	RIM		1	7
9	523 03 46-02	TIRE		1	7, 11
10	523 03 47-01	VALVE		1	7, 11
11	523 01 22-02	WHEEL		2	
12	523 03 45-01	RIM		1	11
13	506 50 48-03	WASHER		2	
14	506 50 48-05	WASHER		4	



FRAME

R115 C, 967252701, 2014

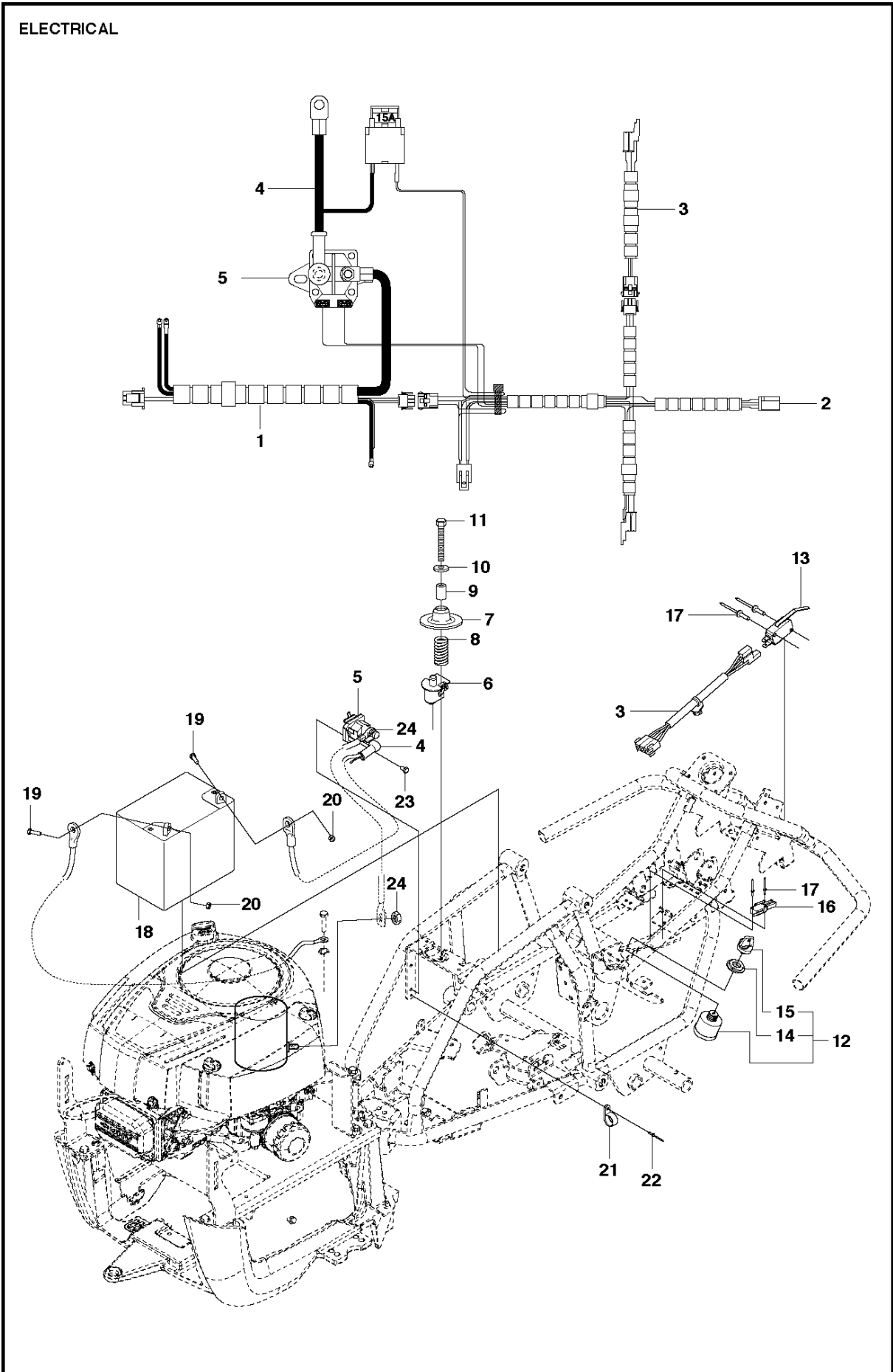
Ref	Part No	Description	Remark	QTY KIT
1	580 37 94-01	EQUIPMENT FRAME ASSY		1
2	580 90 24-01	LOCK		1
3	580 90 29-01	ROD		1
4	580 47 23-01	SPRING		2
5	580 48 06-01	SCREW		2
6	506 89 58-01	COLLAR SCREW		2
7	580 47 21-01	BRACKET		1
8	580 47 21-02	BRACKET		1
9	506 59 74-01	SCREW EHHFM		2
10	721 68 02-51	SPRING COTTER		1
11	735 31 10-20	E-CLIP		1
12	535 42 38-01	SCREW RSQM		2
13	732 21 18-01	LOCK NUT		4
14	731 23 20-01	HEXAGON NUT		2
15	506 83 94-01	SPRING WASHER		2



COVER

R115 C, 967252701, 2014

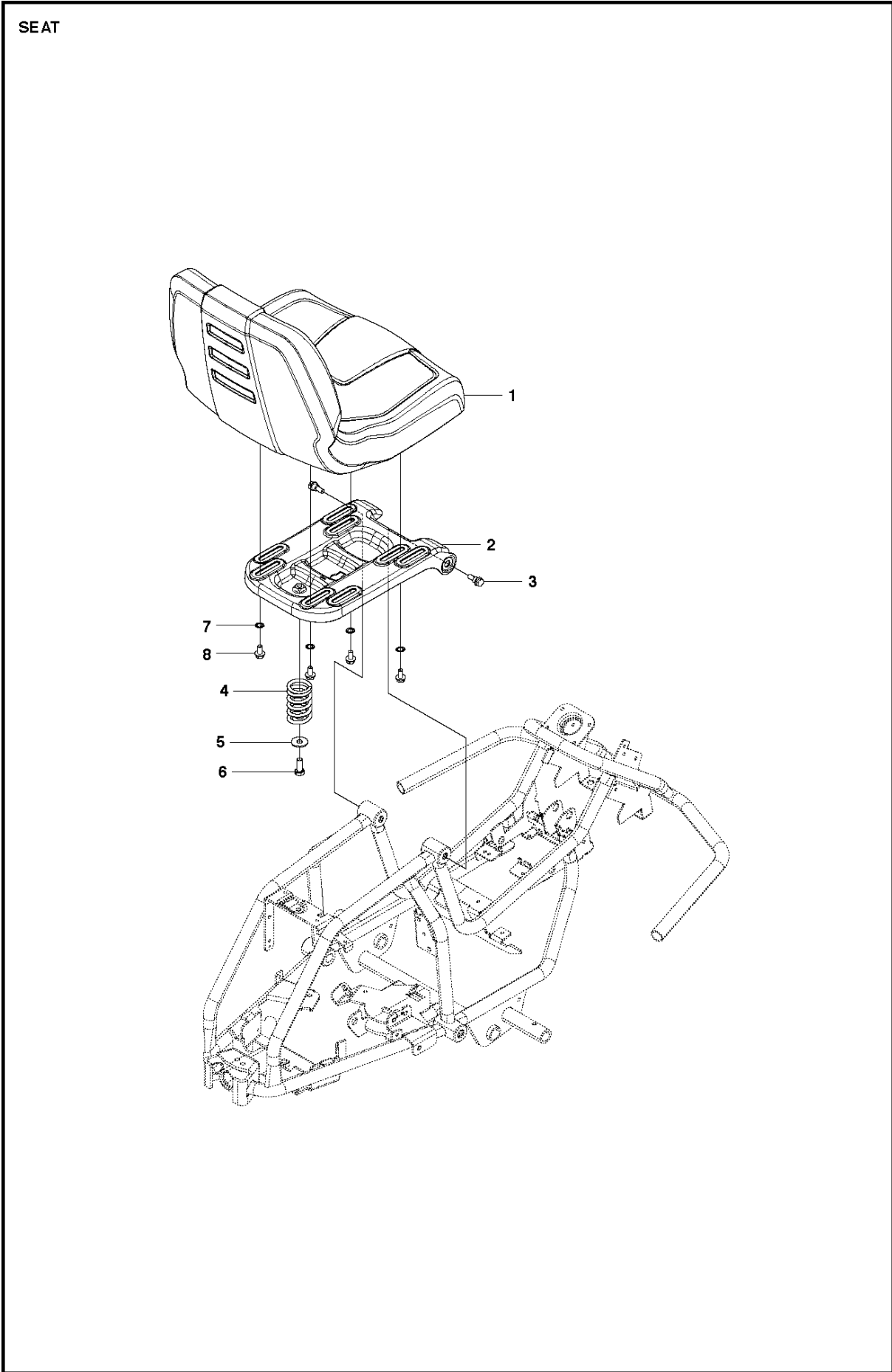
Ref	Part No	Description	Remark	QTY KIT
1	575 83 92-01	COVER		1
2	525 47 78-01	BATTERY BOX		1
3	521 88 91-01	FOOT PLATE		1
4	521 88 92-01	FOOT PLATE		1
5	522 60 18-01	COVER		1
6	521 89 07-01	COVER		1
7	521 88 93-01	CONTROL PANEL		1
8	522 60 19-01	COVER		1
9	522 60 20-01	COVER		1
10	525 47 79-01	COVER		1
11	525 39 61-01	COVER		1
12	574 60 08-01	SPRINT		1
13	535 42 91-01	SPRING NUT		2
14	544 40 05-01	SCREW		20
15	575 75 14-01	COVER		1



ELECTRICAL

R115 C, 967252701, 2014

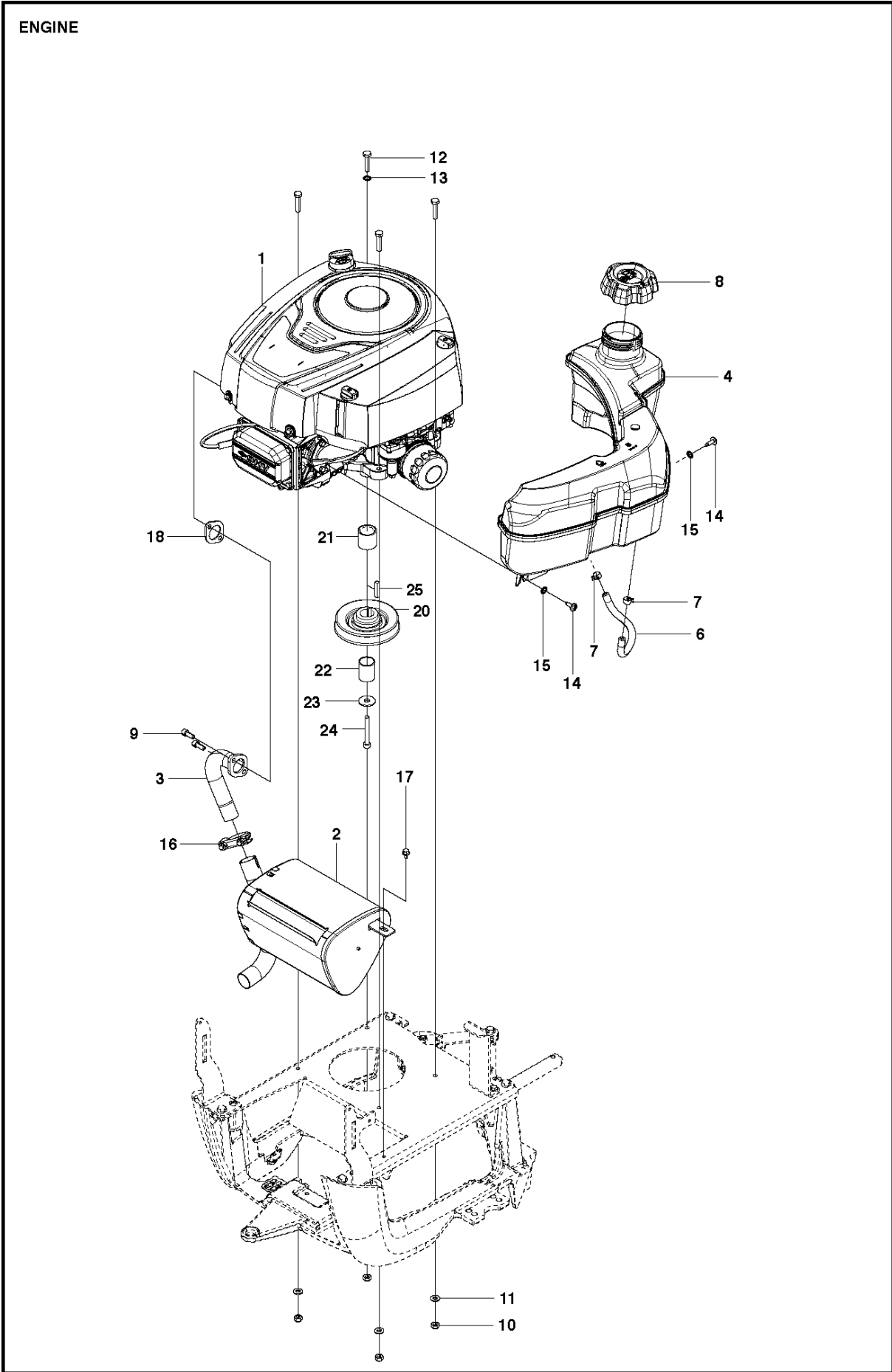
Ref	Part No	Description	Remark	QTY KIT
1	580 35 51-01	WIRING		1
2	580 35 50-01	WIRING		1
3	574 26 96-01	WIRING		1
4	574 26 98-01	CABLE		1
5	544 43 98-01	RELAY		1
6	506 90 96-01	SWITCH		1
7	506 90 97-01	SPRING WASHER		1
8	544 44 12-01	SPRING		1
9	506 90 99-02	SPACING TUBE		1
10	734 11 64-01	WASHER		1
11	725 24 60-51	SCREW EHHM		1
12	544 44 21-01	IGNITION SWITCH		1
13	544 41 59-01	SWITCH		1
14	544 44 23-01	NUT		1
15	544 44 24-01	IGNITION KEY		1
16	574 31 61-01	SWITCH		1
17	544 44 07-01	RIVET		2
18	577 04 16-01	BATTERY		1
19	522 62 21-01	SCREW EHHM		2
20	522 62 43-01	NUT		2
21	575 26 99-01	CABLE CLAMP		1
22	722 79 54-02	RIVET		1
23	725 23 64-61	SCREW EHHFT		1
24	506 89 98-01	NUT		3



SEAT

R115 C, 967252701, 2014

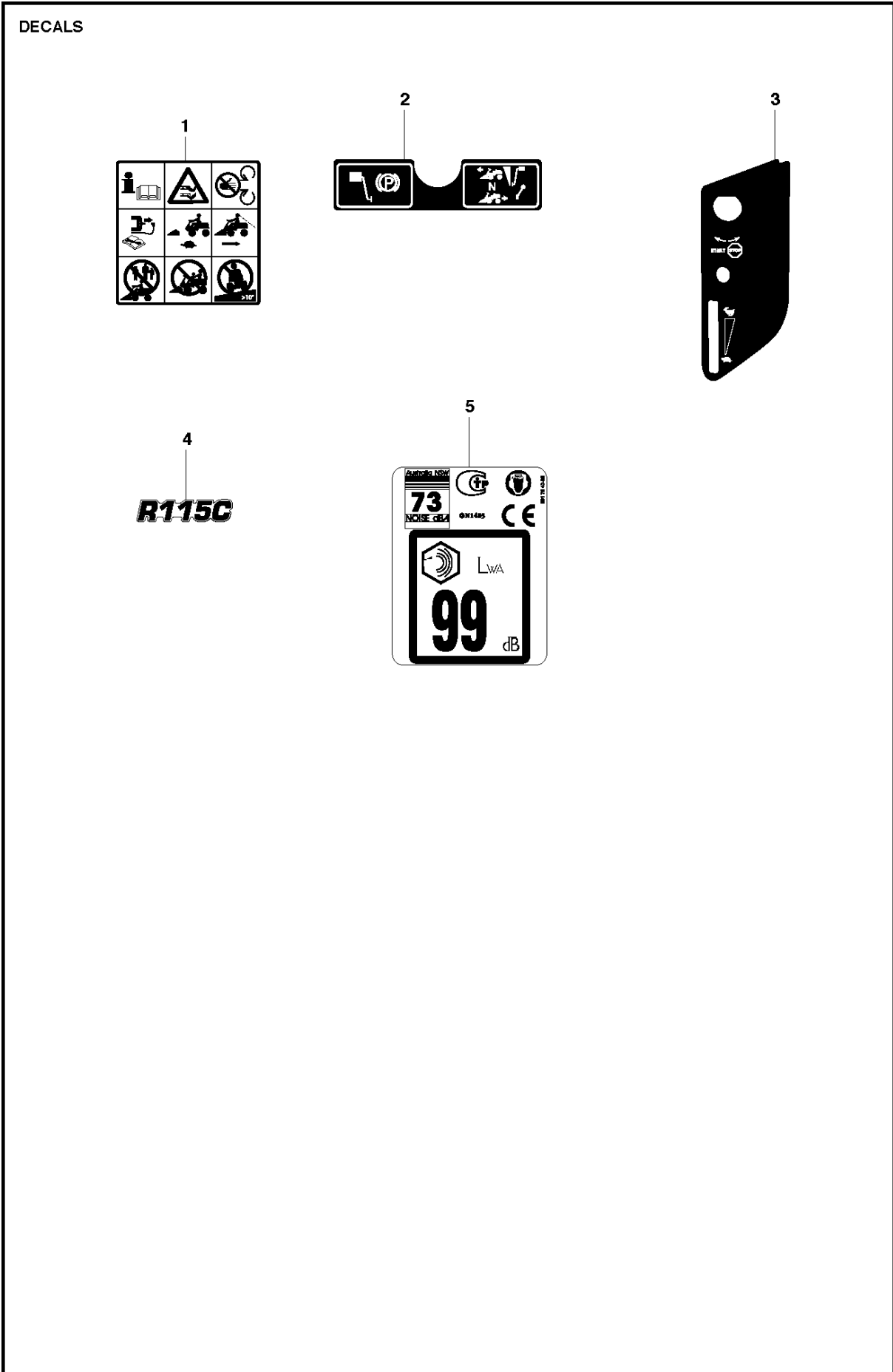
Ref	Part No	Description	Remark	QTY KIT
1	525 81 48-01	SEAT		1
2	581 04 15-01	SEAT BRACKET		1
3	506 59 74-01	SCREW EHHFM		2
4	506 91 53-01	COMPRESSION SPRING		1
5	734 11 74-41	WASHER		1
6	725 24 93-71	SCREW EHHM		1
7	735 21 64-00	LOCKWASHER		4
8	506 57 01-03	SCREW EHHFM		4



ENGINE

R115 C, 967252701, 2014

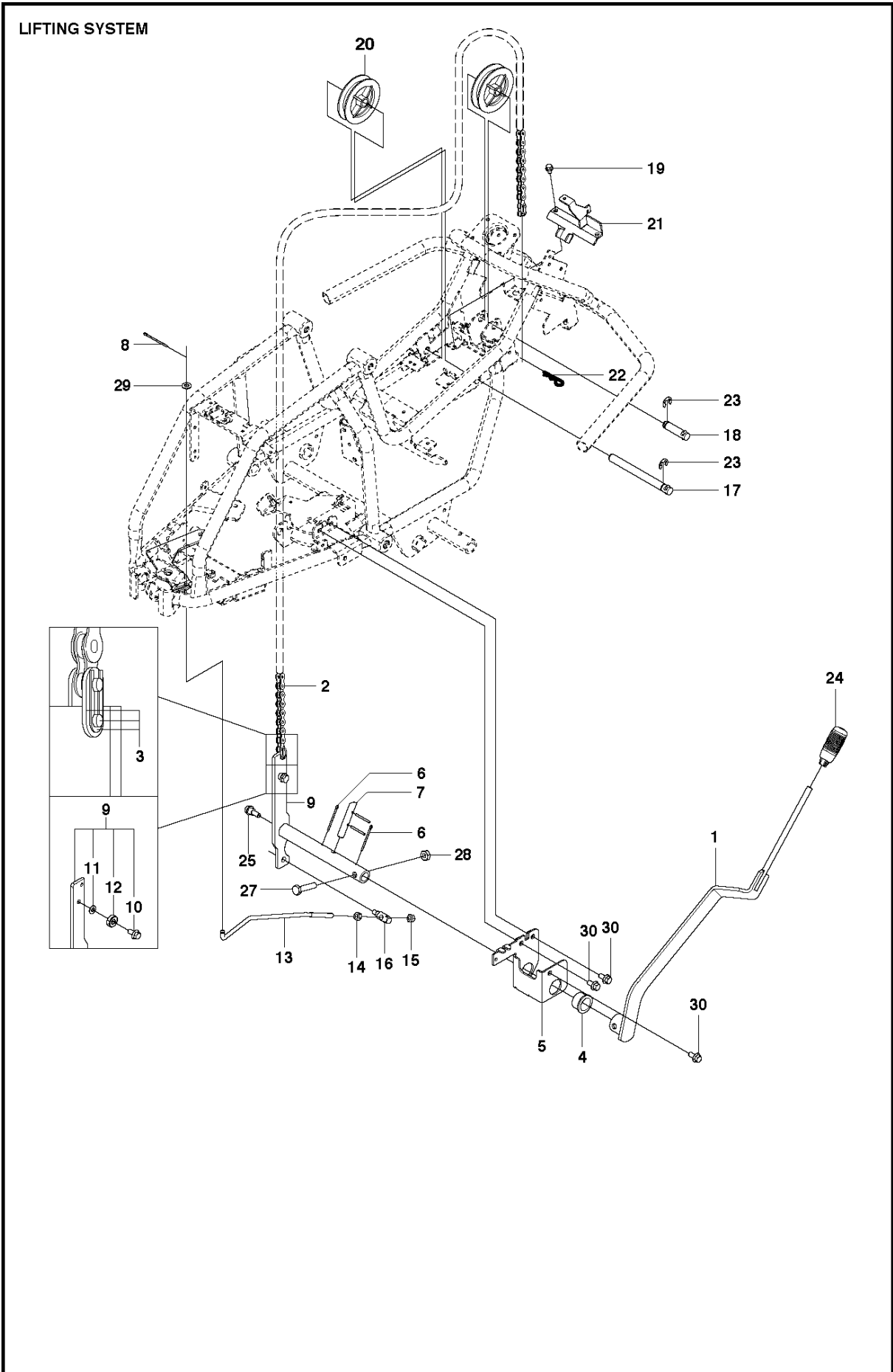
Ref	Part No	Description	Remark	QTY KIT
1	580 37 50-01	ENGINE		1
2	580 73 55-01	MUFFLER ASSY		1
3	580 37 66-01	MANIFOLD		1
4	580 54 11-02	FUEL TANK		1
6	504 80 00-13	FUEL HOSE		1
7	535 46 97-01	HOSE BRACE		2
8	532 43 96-45	HUB CAP		1
9	506 55 63-01	SCREW UNC		2
10	732 21 18-01	LOCK NUT		4
11	734 11 64-01	WASHER		3
12	725 24 57-51	SCREW		4
13	735 21 64-00	LOCKWASHER		1
14	544 40 04-01	SCREW		2
15	735 21 64-00	LOCKWASHER		3
16	506 66 84-01	CLAMP ASSY		1
17	725 23 64-61	SCREW EHHFT		2
18	506 91 45-01	GASKET		1
20	522 82 76-01	PULLEY		1
21	506 50 92-02	SPACING SLEEVE		2
22	574 41 20-02	TUBE		1
23	506 59 75-01	WASHER		1
24	506 55 60-02	SCREW UNC		1
25	506 55 59-02	WEDGE		1



DECALS

R115 C, 967252701, 2014

Ref	Part No	Description	Remark	QTY KIT
1	574 85 48-02	DECAL		1
2	574 85 46-01	DECAL		1
3	575 22 27-01	DECAL		1
4	581 04 82-07	DECAL		1
5	581 78 40-05	LABEL		1



Ref	Part No	Description	Remark	QTY KIT
1	580 38 90-01	LEVER ASSY		1
2	506 55 46-06	CHAIN		1
3	506 55 47-01	LINKAGE		1
4	506 55 65-01	BEARING		1
5	525 40 47-01	BRACKET		1
6	721 61 87-01	SPLIT PIN		1
7	525 40 66-01	PEN		1
8	721 61 83-01	SPLIT PIN		1
9	581 54 58-01	LEVER ASSY		1
10	506 57 01-05	SCREW EHHFM		1
11	734 11 63-01	WASHER		1
12	738 21 98-04	BALL BEARING		1
13	522 56 01-01	ROD		1
14	731 23 18-01	HEXAGON NUT		1
15	732 21 18-01	LOCK NUT		1
16	525 49 13-01	JOINT		1
17	525 40 44-01	SHAFT		1
18	525 40 45-01	SHAFT		1
19	725 23 64-61	SCREW EHHFT		2
20	506 90 56-01	OFFSET PULLEY		2
21	574 31 58-01	BRACKET		1
22	721 68 02-51	SPRING COTTER		1
23	735 31 18-20	E-CLIP		2
24	506 54 20-01	HANDLE		1
25	506 59 74-01	SCREW EHHFM		1
27	725 25 00-51	SCREW EHHM		1
28	732 21 20-51	NUT		1
29	734 11 64-01	WASHER		1
30	506 57 01-03	SCREW EHHFM		3